

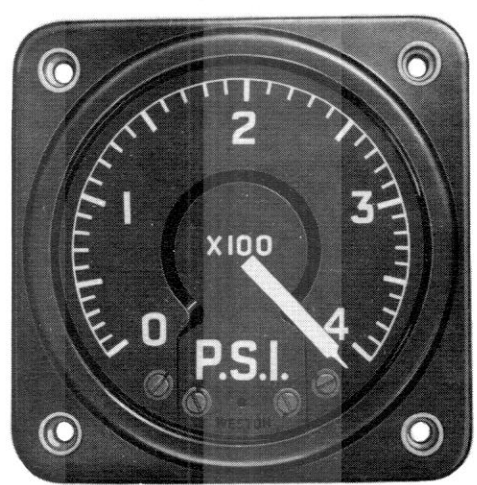
Pressure Indicators



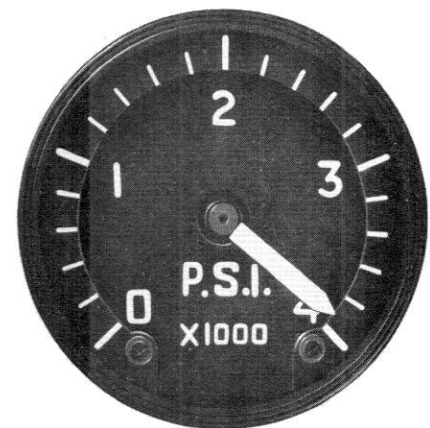
PRESSURE INDICATORS

Any of the ratiometer indicators listed in Section 8 can be supplied for use with Weston pressure transmitters listed in Section 11.

Preferred ranges are shown overleaf.



*Model S 63 Form 4
Typical Presentation*



*Model S 149 Form 1
Typical Presentation*



*Model S 63 Form 5
Typical Presentation*



PREFERRED RANGES

All screw terminals and fixing nuts have Unified threads.

Dial: Black with White markings

Pointer: White

S63 : Lance - narrow tip

S149: Lance

Operating Voltage: 24V D.C. Nominal

FOR USE WITH MODEL S 243 PRESSURE TRANSMITTERS OF THE SAME RANGE

RANGE P. S. I.	2 in Dia. Sealed 3 pin Cannon Connector	2 in Dia. Sealed Screw Terminals	Small SAE Screw Terminals	Large SAE Screw Terminals
0-4	S149.1.324	S149.1.311	S63.4.1217	S63.5.1230

FOR USE WITH MODEL S 122 FORMS-1, 3, 8 and 9, PRESSURE TRANSMITTERS
OF THE SAME RANGE

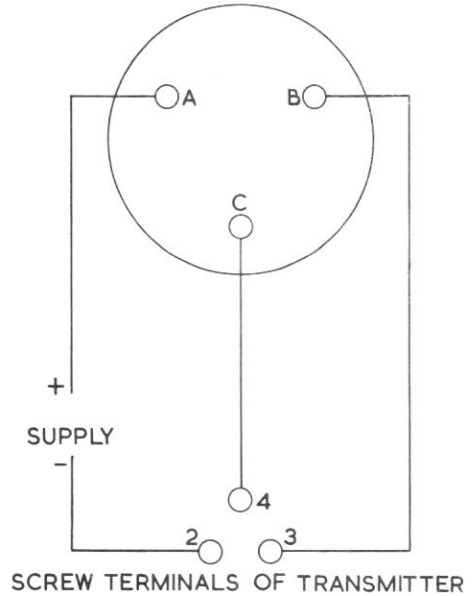
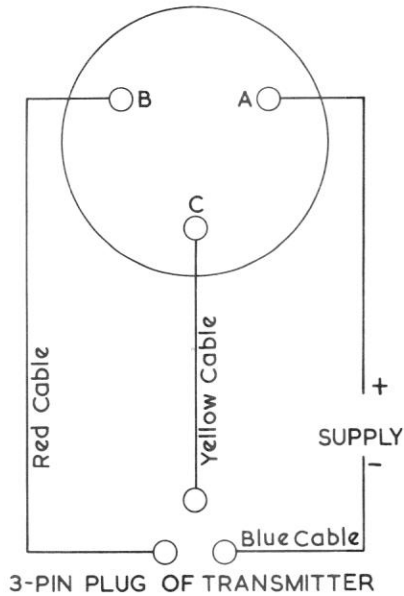
RANGE P. S. I.	2 in Dia. Sealed 3 pin Cannon Connector	2 in Dia. Sealed Screw Terminals	Small SAE Screw Terminals	Large SAE Screw Terminals
0-8	S149.1.142	S149.1.312	S63.4.1218	S63.5.1231
0-40	S149.1.49	S149.1.313	S63.4.1219	S63.5.1232
0-60	S149.1.51	S149.1.314	S63.4.1220	S63.5.1233
0-80	S149.1.53	S149.1.315	S63.4.1221	S63.5.1234
0-120	S149.1.55	S149.1.316	S63.4.1222	S63.5.1235

FOR USE WITH MODEL S 122 FORMS-4, 6, 10 and 11, PRESSURE TRANSMITTERS
OF THE SAME RANGE

RANGE P. S. I.	2 in Dia. Sealed 3 pin Cannon Connector	2 in Dia. Sealed Screw Terminals	Small SAE Screw Terminals	Large SAE Screw Terminals
0-400	S149.1.57	S149.1.317	S63.4.1223	S63.5.1236
0-600	S149.1.59	S149.1.318	S63.4.1224	S63.5.1237
0-1000	S149.1.24	S149.1.319	S63.4.1225	S63.5.1238
0-2000	S149.1.62	S149.1.320	S63.4.1226	S63.5.1239
0-3000	S149.1.64	S149.1.321	S63.4.1227	S63.5.1240
0-4000	S149.1.65	S149.1.322	S63.4.1228	S63.5.1241
0-6000	S149.1.23	S149.1.323	S63.4.1229	S63.5.1242

WIRING DIAGRAMS FOR PRESSURE INDICATORS

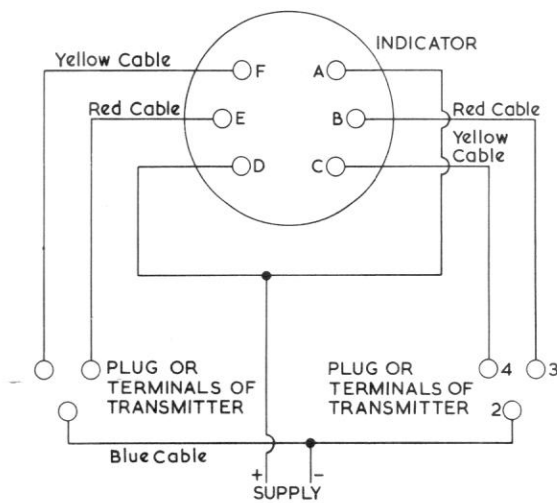
Ratiometers



Alternative terminal markings for indicator A ·· 1, B ·· 3, C ·· 4.

An additional terminal can be supplied for use as a link between blue cable and negative of supply.

DUAL RATIOMETER PRESSURE INDICATORS FOR USE WITH TWO PRESSURE TRANSMITTERS



Alternative terminal markings for dual indicator A ·· 6, C ·· 2, E ·· 3, B ·· 4, D ·· 5, F ·· 1.

TRIPLE RATIO METER PRESSURE INDICATOR FOR USE WITH THREE PRESSURE TRANSMITTERS

