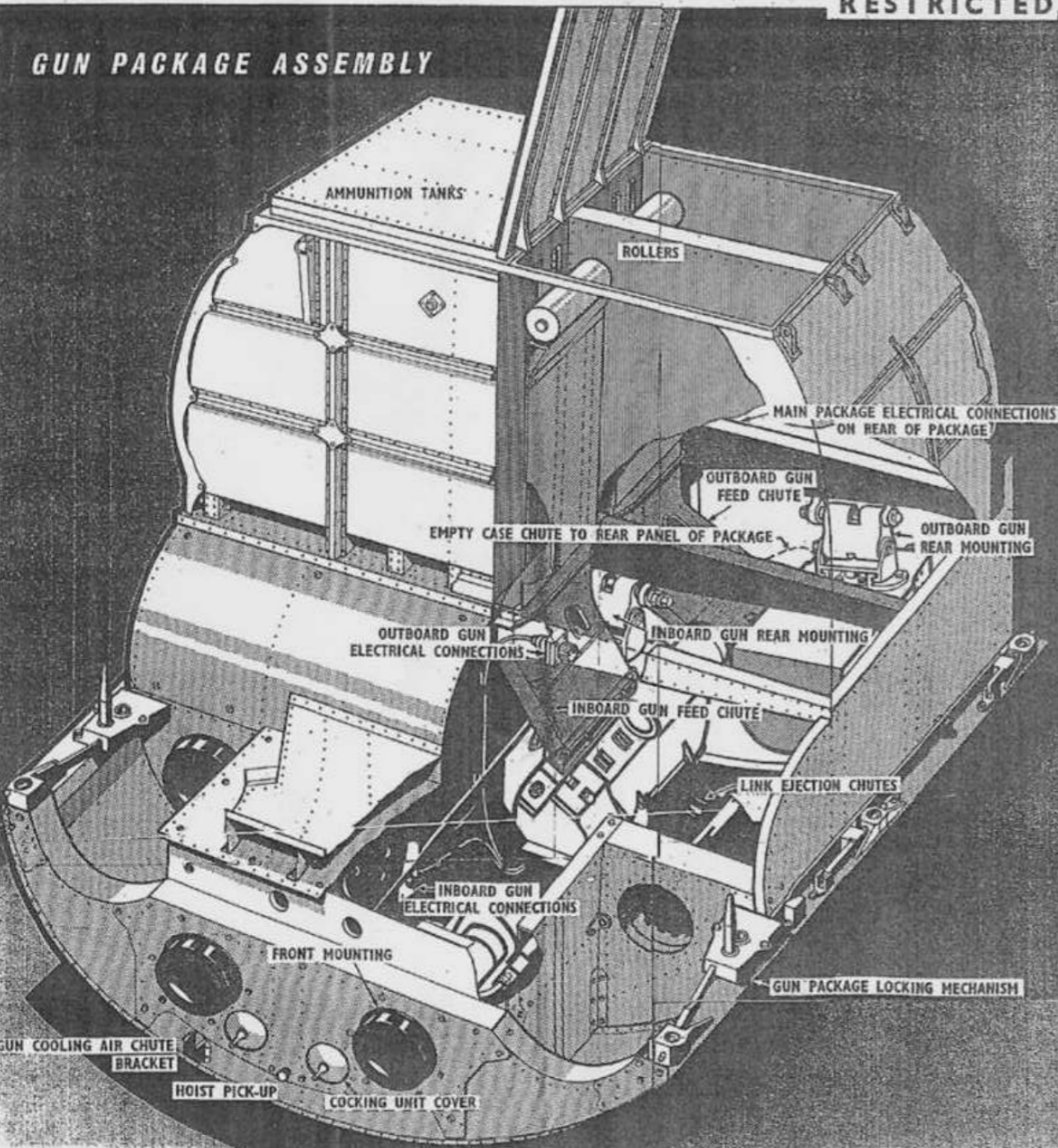
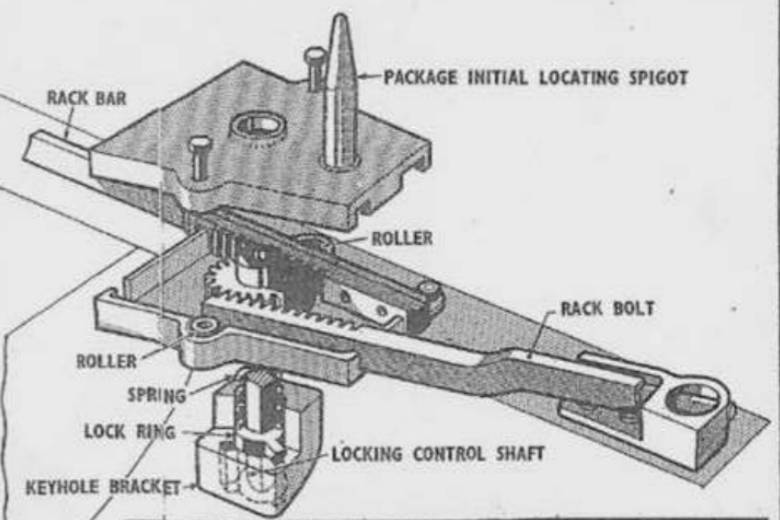
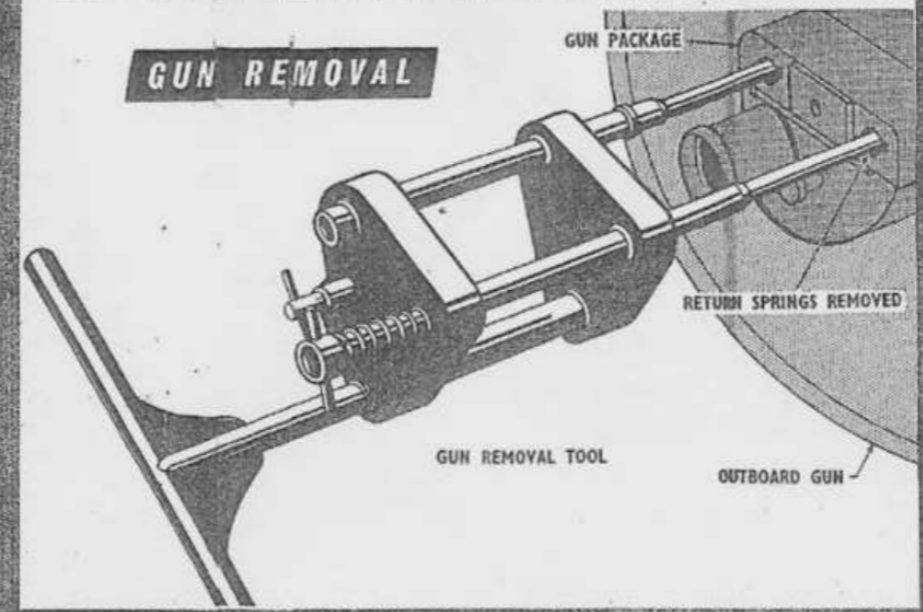


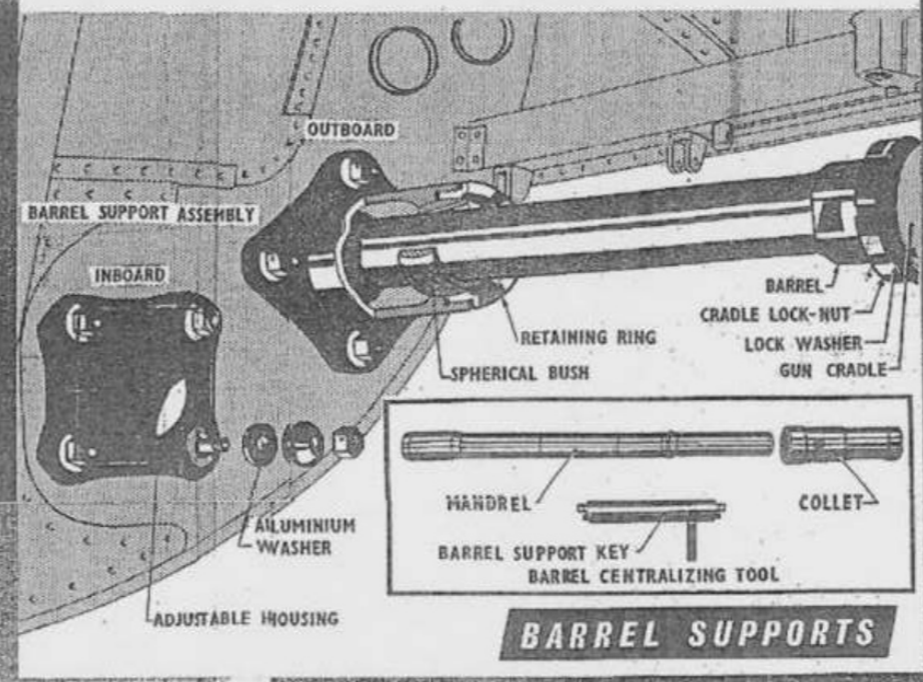
GUN PACKAGE ASSEMBLY



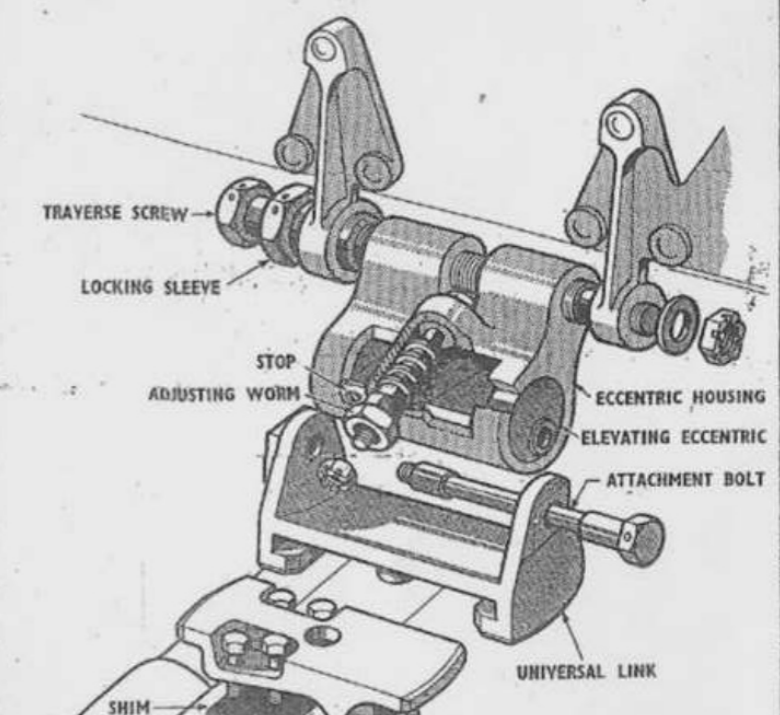
GUN REMOVAL



PACKAGE LOCKING MECHANISM



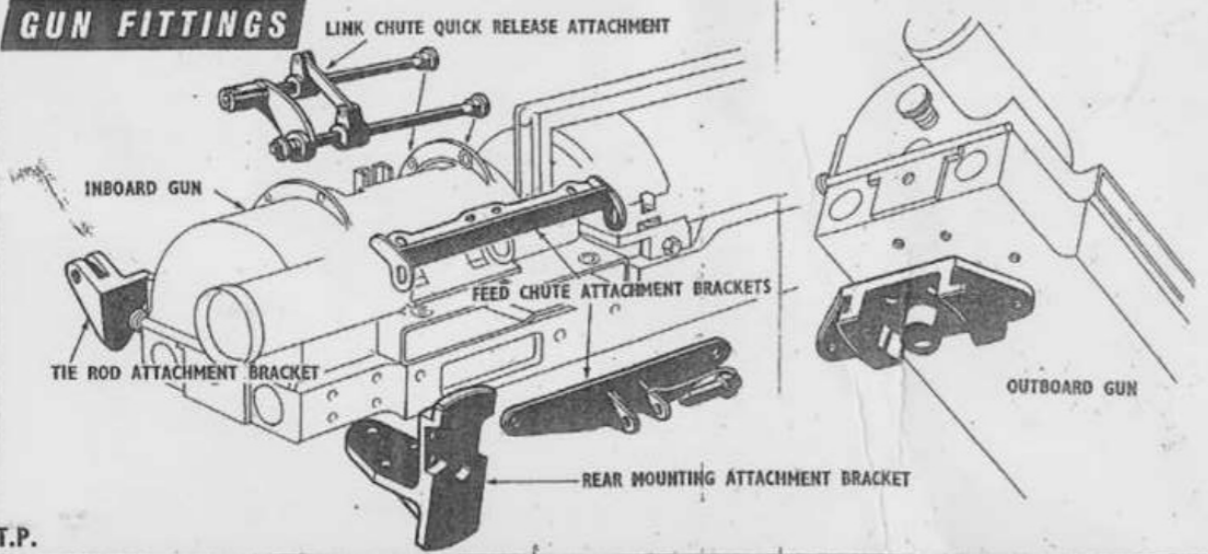
BARREL SUPPORTS



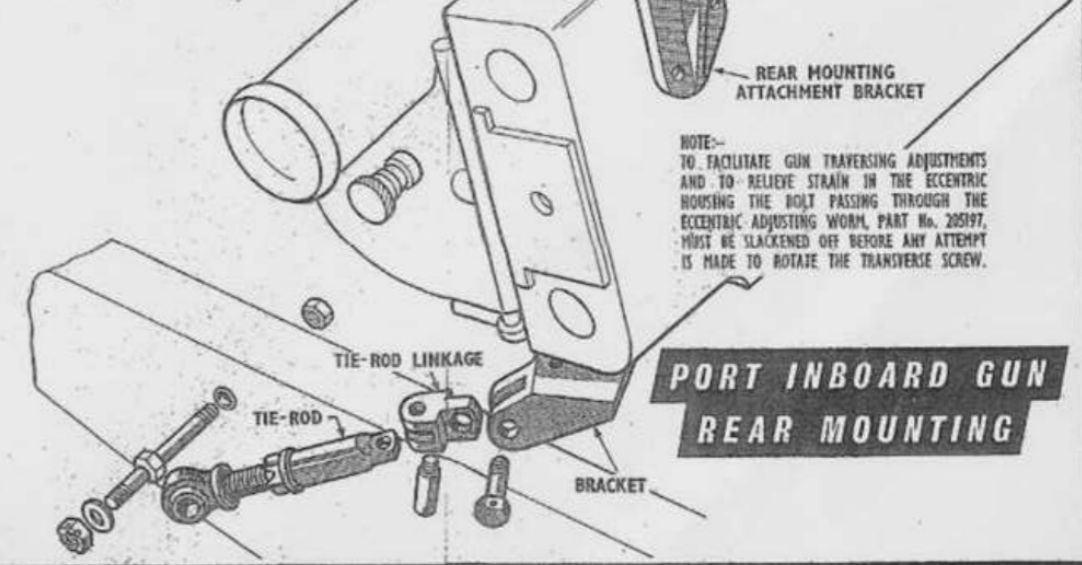
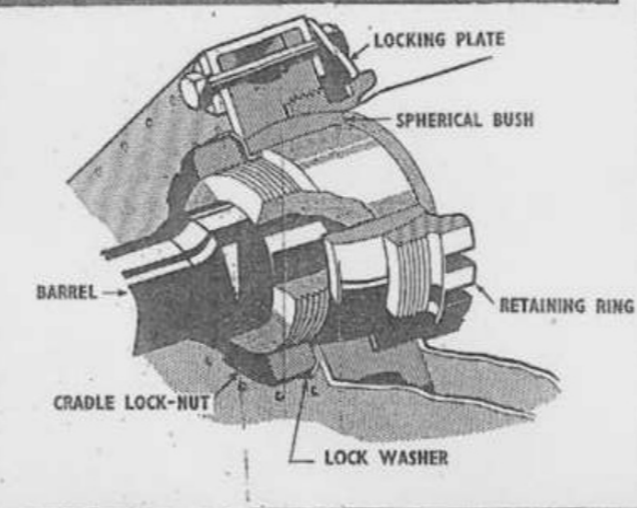
NOTE:- TO FACILITATE GUN TRAVERSING ADJUSTMENTS AND TO RELIEVE STRAIN IN THE ECCENTRIC HOUSING THE BOLT PASSING THROUGH THE ECCENTRIC ADJUSTING WORM, PART No. 205197, MUST BE SLACKENED OFF BEFORE ANY ATTEMPT IS MADE TO ROTATE THE TRAVERSE SCREW.

PORT INBOARD GUN REAR MOUNTING

GUN FITTINGS



FRONT MOUNTING IN PACKAGE



T.P.

HUNTER F Mk. 1, 2, 4, 5 & 6

Gun Package Installation

ISSUED BY THE MINISTRY OF SUPPLY FOR PROPAGATION BY AIR MINISTRY	AIR DIAGRAM 5676
ISSUE 3, 8, 20/11/51-SHEET 2	AUG 1951
ALL RIGHTS RESERVED	

This file was downloaded
from the RTFM Library.

Link: www.scottbouch.com/rtfm

Please see site for usage terms,
and more aircraft documents.

