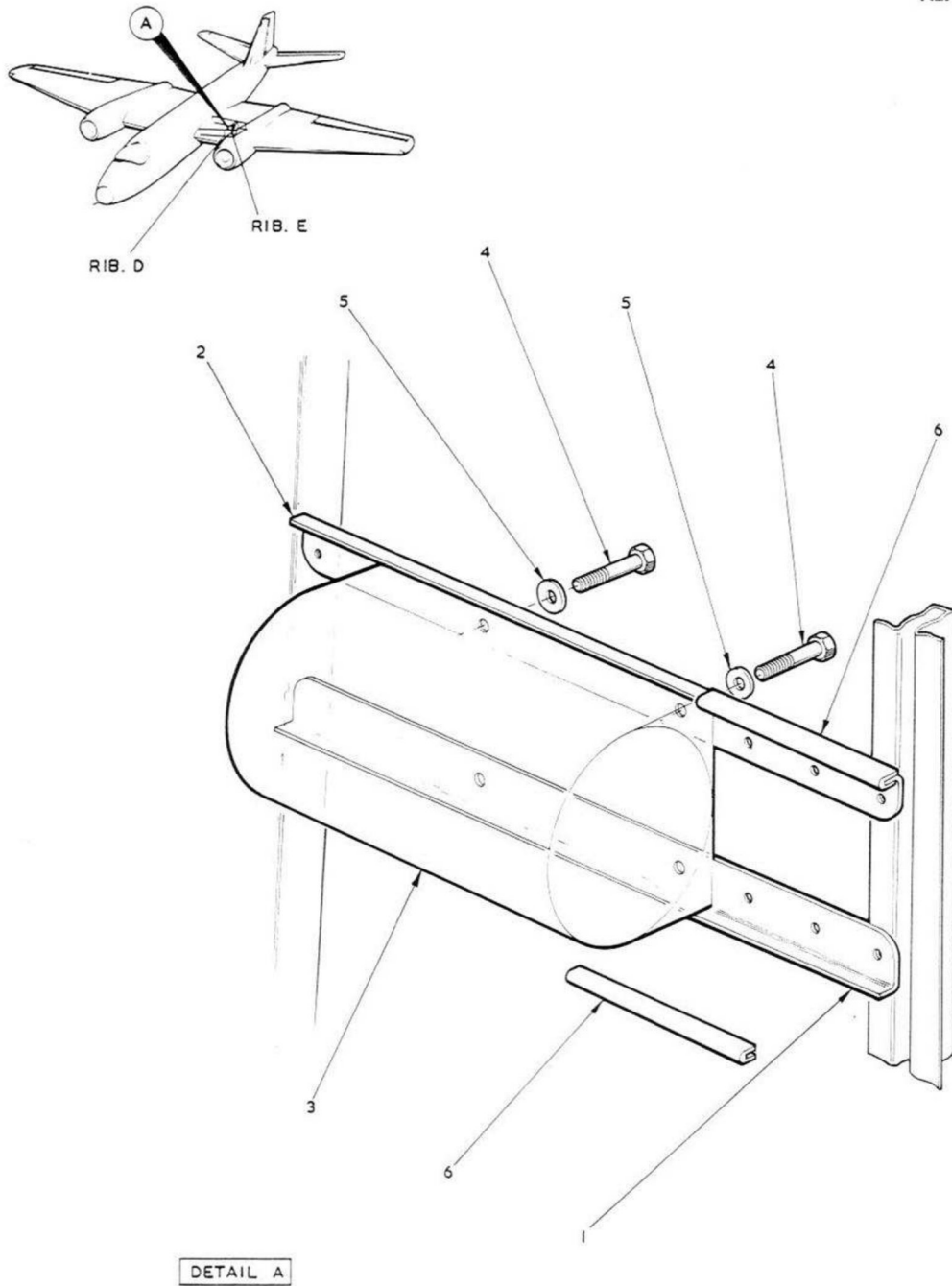


AP101B-0402-3A		GENERAL ASSEMBLY OF AIRCRAFT				Page A.1					
Part Number	Description	No. Off	Mati. Spec.	Plate No.							
					1	2	3	4	5	6	
EA3.00.1	GENERAL ASSEMBLY OF AIRCRAFT Consisting of:-	-	-								
EA1.00.25	. ATTACHMENTS, CENTRE FUSELAGE TO REAR FUSELAGE (See page N.1)	-	-								
EA1.00.23	. ATTACHMENTS, FRONT FUSELAGE TO CENTRE FUSELAGE (See page N.1)	-	-								
EA1.00.81	. ATTACHMENTS, JETTISONABLE TANK TO WING, PORT (See page UA.1)	-	-								
EA1.00.82	. ATTACHMENTS, JETTISONABLE TANK TO WING, STARBOARD (See page UA.1)	-	-								
EA1.00.21	. ATTACHMENTS, WING TO FUSELAGE, PORT (See page N.3)	-	-								
EA1.00.22	. ATTACHMENTS, WING TO FUSELAGE, STARBOARD (See page N.3)	-	-								
R EA3.00.5807	. BONDING OF PIPELINES USING WOVEN WIRE MESH Spares for:-	-	-								
R 30B9611377	. GAUZE, woven wire tinned copper (40 mesh - 35 SWG) (SAS 4773)	QR	BS4109								
EA1.47.3	. CONTROLS, ENGINE, GENERAL ASSEMBLY (See Chapter C)	-	-								
EA3.45.1	. CONTROLS, FLYING, GENERAL ASSEMBLY (See Chapter D)	-	-								
EA1.20.10733	. DOOR, UNDERCARRIAGE, PORT (See Chapter LC)	-	-								
EA1.20.10734	. DOOR, UNDERCARRIAGE, STARBOARD (See Chapter LC)	-	-								
EA1.00.103	. ENGINE, RA3, INSTALLATION, PORT (See Chapter PE)	-	-								
EA1.00.104	. ENGINE, RA3, INSTALLATION, STARBOARD (See Chapter PF)	-	-								
EA3.81.3	. EQUIPMENT, ELECTRICAL (See Chapter E)	-	-								
EA1.88.2	. EQUIPMENT, GROUND (See Chapter F)	-	-								
EA3.90.1	. EQUIPMENT, RADAR (See Chapter Q)	-	-								
EA3.00.43	. FUSELAGE, CENTRE, GENERAL ASSEMBLY (See Chapter KA)	-	-								
EA3.00.5	. FUSELAGE, FRONT, GENERAL ASSEMBLY (See Chapter KB)	-	-								
EA1.00.45	. FUSELAGE, REAR, AND TAIL UNIT, GENERAL ASSEMBLY (See Chapter KC)	-	-								
-	. MOUNTING, SONAR LOCATOR BEACON (EA3.82.8103) (Mod 5441) Spares for:-	-	-								
EA3.82.8105	. ANGLE, mounting	1	-							A1/1	
EA3.82.8107	. ANGLE, mounting	1	-							A1/2	
8.201.00.001	. BEACON, sonar locator, type 17638 Attaching parts for beacon:-	1	-							A1/3	
LN29943K-06003	. Bolt, 6 mm dia	4	-							A1/4	
SP124/E	. Washer	4	-							A1/5	
EE11/2	. EXTRUSSION (Make from 32C/6216635) Attaching parts for EE11/2:-	2	-							A1/6	
EC1099	. Adhesive	QR	-								
EA3.75.575	. SUIT, VENTILATED, INSTALLATION GENERAL ASSEMBLY (MOD 2717--S.O.O.) (See page SB.35 to SB.41)	-	-								
EA3.62.175	. TANK, JETTISONABLE, PORT, ASSEMBLY (PRE-MOD 2395) (See Chapter UA)	-	-								
EA3.62.217	. TANK, JETTISONABLE, PORT, ASSEMBLY (MOD 2395) (See Chapter UA)	-	-								
EA3.62.176	. TANK, JETTISONABLE, STARBOARD, ASSEMBLY (PRE-MOD 2395) (See Chapter UA)	-	-								
EA3.62.218	. TANK, JETTISONABLE, STARBOARD, ASSEMBLY (MOD 2395) (See Chapter UA)	-	-								
EA3.00.11	. WING, GENERAL ASSEMBLY, PORT (See Chapter L)	-	-								
EA3.00.12	. WING, GENERAL ASSEMBLY, STARBOARD (See Chapter L)	-	-								



CODE RSTZ

FIG.1 SONAR LOCATOR BEACON

SECT. A

This file was downloaded  
from the RTFM Library.

Link: [www.scottbouch.com/rtfm](http://www.scottbouch.com/rtfm)

Please see site for usage terms,  
and more aircraft documents.

