

**CONTROLS**  
**FLYING CONTROLS IN WING, PORT**

Ref. No.	Part No.	Description	No. off	Matl. Spec.	Cl. of Equip M.R. L.M.	Plate No.
	EA1.45.13	CONTROLS, AILERON, IN WING, PORT, ASSEMBLY	—	—	—	
17811	EA1.20.619	Consisting of:— ARM, CENTRE LEVER, AILERON CONTROL, ASSEMBLY	1	—	MR	DD1/1
568	EA1.20.621	Spares for:— ARM, CENTRE, LEVER, ASSEMBLY	2	—	B	DD1/2
		Consisting of:—				
2A/9500463	SKEFKO CBA2	BEARING, ballrace	1	—	B	DD1/4
75	EEAS3D	HOUSING, ballrace	1	L40	C	DD1/5
569	EA1.20.469	LEVER	1	L40	C	DD1/3
92	EEAS4/20C	WASHER, packing	2	DTD390	C	DD1/6
		Attaching parts for EA1.20.621:—				
6523	EA3.45.449	Bolt, special	3	S95	C	DD1/7
28M/5808573	A27CS	Nut, slotted, 2BA	3	—	C	DD1/7A
28P/9527619	SP90C7	Pin, split, 1/16" dia	3	—	C	DD1/7B
28W/9419402	SP13C	Washer	3	—	C	DD1/7C
20746	EA1.20.345	MOUNTING, C/W BOSS, ASSEMBLY	1	—	B	DD1/7D
		Spares for:—				
2A/9500412	SKEFKO CBS3	BEARING, ballrace	2	—	B	DD1/8
571	EA1.20.579	BOSS, lever	1	L40	C	DD1/9
		Attaching parts for EA1.20.579:—				
570	EA1.20.467	Bolt, special	1	L40	C	DD1/11
28M/4095920	A29JS	Nut, slotted, 3/8" BSF	1	—	C	DD1/11A
28P/9527619	SP90C7	Pin, split, 1/16" dia	1	—	C	DD1/11B
28W/9419477	SP15J	Washer	1	—	C	DD1/11C
9547	EA1.20.465	BRACKET, wall	2	—	C	DD1/11D
572	EA1.20.463	TUBE, distance	1	L40	C	DD1/10
9251	EA1.20.281	BOSS AND LEVERS, AILERON CONTROL HINGE ON RIB 4, CENTRE WING, ASSEMBLY	1	—	B	DD1/11E
		Spares for:—				
619	EA1.20.641	BOSS AND LEVER, ASSEMBLY	1	—	B	DD1/11F
		Spares for:—				
2A/9500412	SKEFKO CBS3	BEARING, ballrace	2	—	B	DD1/11G
	EA1.20.607	BOSS	1	L40	C	DD1/11H
	EA1.20.615	BUSH, distance	1	—	C	DD1/11J
7218	EA1.20.639	LEVER, assembly	1	—	C	DD1/11K
		Attaching parts for EA1.20.639:—				
28D/9133013	A25/5C	Bolt, 2BA	3	—	B	DD1/11L
28M/9403520	A27CP	Nut, 2BA	3	—	C	DD1/11M
28W/9419404	SP16C	Washer	3	—	C	DD1/11N
		Attaching parts for EA1.20.641:—				
620	EA1.20.609	Bolt, special	1	—	C	DD1/11P
28M/4095920	A29JS	Nut, slotted, 3/8" BSF	1	—	C	DD1/11R
28P/9527619	SP90C7	Pin, split, 1/16" dia	1	—	C	DD1/11S
28W/9419477	SP15J	Washer	1	—	C	DD1/11T

## CONTROLS

AP101B-0402-3A

## FLYING CONTROLS IN WING, PORT

Ref. No.	Part No.	Description	No. off						Matl. Spec.	Cl. of Equip M.R. L.M.	Plate No.
			1	2	3	4	5	6			
559	EA1.20.633	. BOSS AND LEVERS, AILERON CONTROL HINGE ON RIB 4, OUTER WING, ASSEMBLY (PRE-MOD 5028)	1						—	B	
6119139	EA3.20.2579	. BOSS AND LEVERS, AILERON CONTROL HINGE ON RIB 4, OUTER WING, ASSEMBLY (MOD 5028) (For aircraft not embodying Mod 5097) Spares for:—	1						—	B	
2A/9500412 6119252	SKEFKO CBS3 EA3.20.3209	. BEARING, ballrace . BOSS AND LEVERS, AILERON CONTROL HINGE ON RIB 4, OUTER WING, ASSEMBLY (MOD 4956) (For aircraft embodying Mod 5097) Spares for:—	2 1						— —	B B	DD1/12
	EA3.20.3211	. ARM, curved Attaching parts for EA3.20.3211:—	1						—	B	DD1/12D
28D/1212825 28M/1011467 28P/1040788	AS1242/4E A27ES SP90C8	. Bolt, 1/4" BSF . Nut, slotted 1/4" BSF . Pin, split	6 6 6						— — —	C C C	DD1/30 DD1/31 DD1/32
	EA3.20.3215	. ARM, straight Attaching parts for EA3.20.3215:—	1						—	B	DD1/12E
28D/1212825 28M/1011467 28P/1040788	AS1242/4E A27ES SP90C8	. Bolt, 1/4" BSF . Nut, slotted 1/4" BSF . Pin, split	6 6 6						— — —	C C C	DD1/33 DD1/34 DD1/35
2A/9500412	SKEFKO CBS3 EA3.20.3233 EA1.20.599 EA3.20.3219	. BEARING, ballrace . BOSS . BUSH, distance . GUARD, assembly Attaching parts for EA3.20.3219:—	2 1 1 1						— — — —	B C C —	DD1/12A DD1/12B DD1/12C DD1/36
28D/1214091	AS1242/2C EA3.20.3227	. Bolt, 2BA . RING, radius Attaching parts for EA1.20.633, EA3.20.2579 and EA3.20.3209:—	2 2						— —	C —	DD1/37 DD1/38
553 28M/4095920 28P/9527619 28W/9419477	EA1.20.601 A29JS SP90C7 SP15J	. Bolt, special . Nut, slotted, 3/8" BSF . Pin, split, 1/16" dia . Washer	1 1 1 1						— — — —	C C C C	DD1/12F DD1/12G DD1/12H DD1/12J

CONTROLS  
FLYING CONTROLS IN WING, PORT

Part Number	Description	No. Off	Mati. Spec.	Plate No.
EA1.20.603	. LEVER, AILERON CONTROL, ASSEMBLY Spares for:—	1	—	DD1/13
EA1.20.641	. BOSS AND LEVER, ASSEMBLY Spares for:—	1	—	DD1/14
SKEFKO CBS3	. . . BEARING, ballrace	2	—	DD1/15D
EA1.20.607	. . . BOSS	1	L40	DD1/16
EA1.20.615	. . . BUSH, distance	1	—	DD1/16A
EA1.20.639	. . . LEVER, assembly Attaching parts for EA1.20.639:—	1	—	DD1/15
A25/5C	. . . Bolt, 2BA	3	—	DD1/15A
A27CP	. . . Nut, 2BA	3	—	DD1/15B
SP16C	. . . Washer Attaching parts for EA1.20.641:—	3	—	DD1/15C
EA1.20.609	. . . Bolt, special	1	L40	DD1/17
A29JS	. . . Nut, slotted, 3/8" BSF	1	—	DD1/17A
SP90C7	. . . Pin, split, 1/16" dia	1	—	DD1/17C
SP15J	. . . Washer	1	—	DD1/17B
EA3.45.321	. TUBE, CONTROL, FROM HINGE MOUNTING ON RIB 4, OUTER WING TO AILERON OPERATING LEVER, ASSEMBLY (PRE-MOD 4930)	1	—	DD1/18
EA3.45.655	. TUBE, CONTROL, FROM HINGE MOUNTING ON RIB 4, OUTER WING TO AILERON OPERATING LEVER, ASSEMBLY (MOD 4930) (PRE-MOD 5473)	1	—	
R R EA3.45.731	. TUBE, CONTROL, FROM HINGE MOUNTING ON RIB 4 OUTER WING TO AILERON OPERATING LEVER, ASSEMBLY (MOD 5473) Spares for:—	1	—	
R R EA3.45.327	. . . COUPLING (PRE-MOD 5473)	1	—	DD1/18A
EA3.45.817	. . . COUPLING (MOD 5473) Attaching parts for EA3.45.327:—	1	—	
EEAS37/13A	. . . Nipple	8	—	DD1/18B
EEAS38/1A	. . . Spoke	4	—	DD1/18C
R R EA3.45.325	. . . FORK-END (PRE-MOD 5473)	1	—	DD1/18D
EA3.45.815	. . . FORK-END (MOD 5473) Attaching parts for EA3.45.325:—	1	—	
EEAS37/13A	. . . Nipple	8	—	DD1/18E
EEAS38/1A	. . . Spoke	4	—	DD1/18F
EA1.45.201	. . . FORK-END	1	—	DD1/19
A27NT	. . . NUT, thin, 1/2" BSF	1	—	DD1/20
R R EA3.45.323	. . . TUBE (PRE-MOD 5473)	1	—	DD1/18G
EA3.45.777	. . . TUBE (MOD 5473)	1	—	

CONTROLS  
FLYING CONTROLS IN WING, PORT

Part Number	Description	No. Off	Matl. Spec.	Plate No.
R EA3.45.397	. TUBE, CONTROL, BETWEEN FUSELAGE AND OPERATING LEVER AT RIB 4 CENTRE WING, ASSEMBLY (PRE--MOD 4930)	1	—	DD1/21
R EA3.45.687	. TUBE, CONTROL, BETWEEN FUSELAGE AND OPERATING LEVER AT RIB 4 CENTRE WING ASSEMBLY (MOD 4930) (PRE--MOD 5473)	1	—	
R EA3.45.757	. TUBE, CONTROL, BETWEEN FUSELAGE AND OPERATING LEVER AT RIB 4 CENTRE WING ASSEMBLY (MOD 5473)	1	—	
R EEAS128	. . . END-FITTING (PRE--MOD 5473)	1	—	DD1/21A
R EA3.45.769	. . . END-FITTING (MOD 5473)	1	—	
R EEAS37/13A	. . . Attaching parts for end-fitting:—			
R EEAS38/1A	. . . Nipple	4	—	DD1/21B
R EEAS38/1A	. . . Spoke	2	—	DD1/21C
R EEAS47/2	. . . FORK-END, adjusting	1	—	DD1/21D
R EEAS131/2	. . . FORK-END (PRE--MOD 5473)	1	—	DD1/21E
R EA3.45.765	. . . FORK-END (MOD 5473)	1	—	
R EEAS37/13A	. . . Attaching parts for EEAS131/2 or EA3.45.765:—			
R EEAS38/1A	. . . Nipple	6	—	DD1/21F
R EEAS38/1A	. . . Spoke	3	—	DD1/21G
R A29NP	. . . NUT, 1/2" BSF	1	—	DD1/21H
R EA3.45.399	. . . TUBE, (PRE--MOD 5473)	1	—	DD1/21J
R EA3.45.797	. . . TUBE (MOD 5473)	1	—	
R EA3.45.401	. TUBE, CONTROL, BETWEEN OPERATING LEVER ON RIB 4, AND CENTRE LEVER, CENTRE, WING, ASSEMBLY (PRE--MOD 4930)	1	—	DD1/22
EA3.45.689	. TUBE, CONTROL, BETWEEN OPERATING LEVER ON RIB 4, AND CENTRE LEVER, CENTRE, WING, ASSEMBLY (MOD 4930) (PRE--MOD 5473)	1	—	
R EA3.45.759	. TUBE, CONTROL, BETWEEN OPERATING LEVER ON RIB 4 AND CENTRE LEVER, CENTRE WING ASSEMBLY (MOD 5473)	1	—	
R EEAS131/2	. . . Spares for:—			
R EA3.45.765	. . . FORK-END (PRE--MOD 5473)	2	—	DD1/22A
R EA3.45.765	. . . FORK-END (MOD 5473)	1	—	
R EEAS37/13A	. . . Attaching parts for EEAS131/2:—			
R EEAS38/1A	. . . Nipple	6	—	DD1/22B
R EEAS38/1A	. . . Spoke	3	—	DD1/22C
R EA3.45.403	. . . TUBE (PRE--MOD 5473)	1	—	DD1/22D
R EA3.45.799	. . . TUBE (MOD 5473)	1	—	

## FLYING CONTROLS IN WING, PORT

Part Number	Description	No. Off	Matl. Spec.	Plate No.
R EA3.45.405	. TUBE, CONTROL, FROM CENTRE LEVER TO LEVER BETWEEN RIBS 2 AND 2B OUTER WING ASSEMBLY (PRE-MOD 4930)	1	-	DD1/23
R EA3.45.691	. TUBE, CONTROL, FROM CENTRE LEVER TO LEVER BETWEEN RIBS 2 AND 2B OUTER WING ASSEMBLY (MOD 4930) (PRE-MOD 5473)	1	-	
R EA3.45.761	. TUBE, CONTROL, FROM CENTRE LEVER TO LEVER BETWEEN RIBS 2 AND 2B OUTER WING ASSEMBLY (MOD 5473)	1	-	
R EEAS131/2	. . FORK-END (PRE-MOD 5473)	2	-	DD1/23A
R EA3.45.765	. . FORK-END (MOD 5473)	2	-	
R EEAS37/13A	. . Attaching parts for fork-end:-			
R EEAS38/1A	. . Nipple	6	-	DD1/23B
R EEAS38/1A	. . Spoke	3	-	DD1/23C
R EA3.45.407	. . TUBE (PRE-MOD 5473)	1	-	DD1/23D
R EA3.45.801	. . TUBE (MOD 5473)	1	-	
R EA3.45.409	. TUBE, CONTROL, FROM LEVER BETWEEN RIBS 2 AND 2B TO RIB 4 OUTER WING ASSEMBLY (PRE-MOD 4930)	1	-	DD1/24
R EA3.45.693	. TUBE, CONTROL, FROM LEVER BETWEEN RIBS 2 AND 2B TO RIB 4 OUTER WING ASSEMBLY (MOD 4930) (PRE-MOD 5473)	1	-	
R EA3.45.763	. TUBE, CONTROL, FROM LEVER BETWEEN RIBS 2 AND 2B TO RIB 4 OUTER WING ASSEMBLY (MOD 5473)	1	-	
R EEAS131/2	. . FORK-END (PRE-MOD 5473)	2	-	DD1/24A
R EA3.45.765	. . FORK-END (MOD 5473)	2	-	
R EEAS37/13A	. . Attaching parts for fork-end:-			
R EEAS38/1A	. . Nipple	6	-	DD1/24B
R EEAS38/1A	. . Spoke	3	-	DD1/24C
R EA3.45.411	. . TUBE (PRE-MOD 5473)	1	-	DD1/24D
R EA3.45.803	. . TUBE (MOD 5473)	1	-	
R EEAS13/1	. Attaching parts for control tubes:-			
R EEAS14	. Bolt, special	2	-	DD1/25
R EEAS63E	. Bush, bearing	2	-	DD1/26
R EEAS127	. Nut, special	2	-	DD1/27
R SP90C7	. Piece, distance	2	-	DD1/28
R SP90C7	. Pin, split	2	-	DD1/29

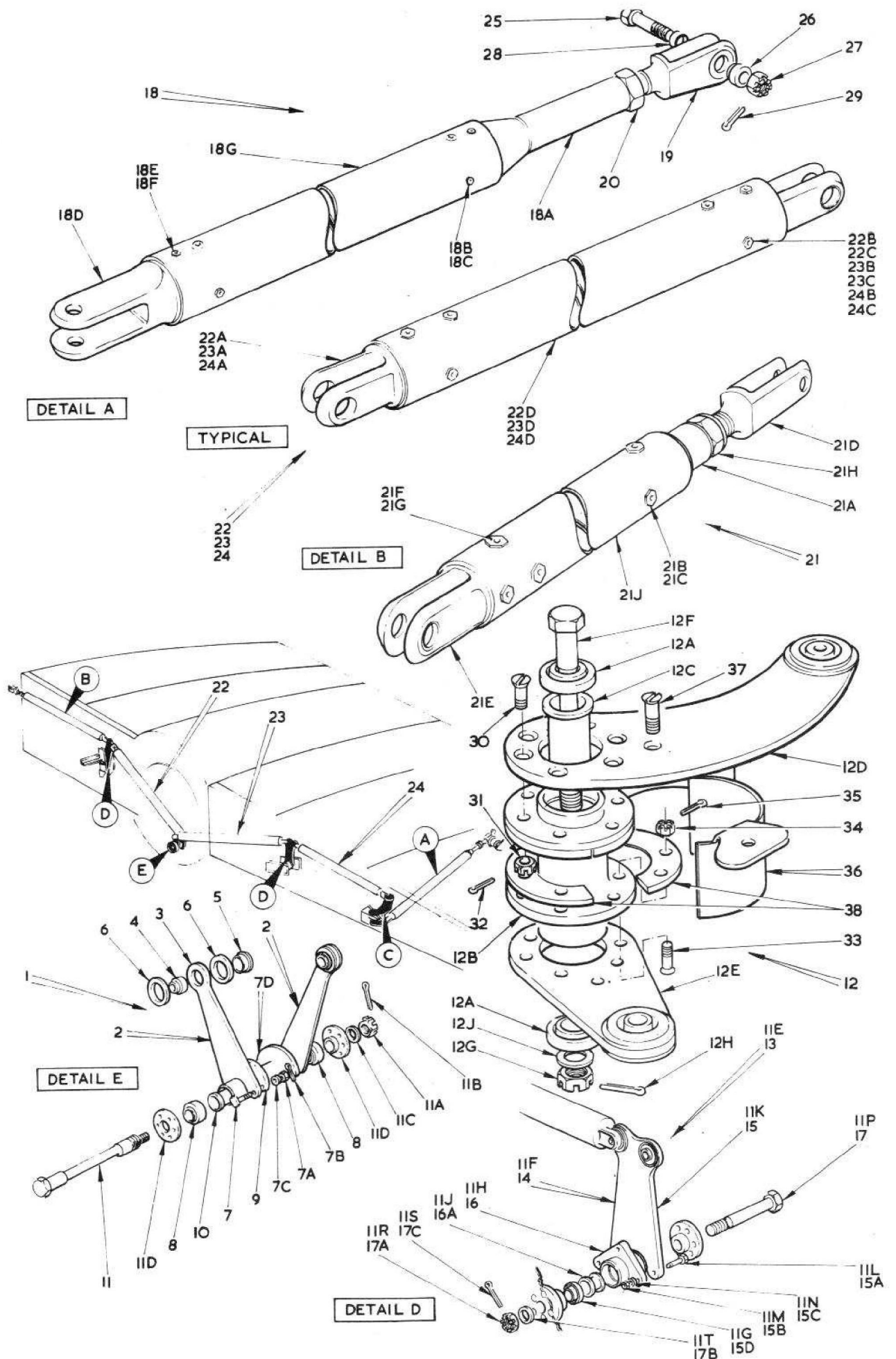


FIG. I AILERON CONTROLS IN WING

This file was downloaded  
from the RTFM Library.

Link: [www.scottbouch.com/rtfm](http://www.scottbouch.com/rtfm)

Please see site for usage terms,  
and more aircraft documents.

