

AILERON

Part Number	Description	No. Off	Matl. Spec.	Plate No.	
					1
R EA3.00.5483	AILERON, PORT, ASSEMBLY (Spares for EA3.24.217) (Pre-Mod 5344)	1	-		
R EA3.00.5703	AILERON, PORT, ASSEMBLY (Spares for EA3.24.217) (Mod 5344)	1	-	LB1/1	
R EA3.00.5484	AILERON, STARBOARD, ASSEMBLY (Spares for EA3.24.218) (Pre-Mod 5344)	1	-		
R EA3.00.5704	AILERON, STARBOARD, ASSEMBLY (Spares for EA3.24.218) (Mod 5344)	1	-	LB1/45	
EA3.24.5	AILERON, REAR PORTION, PORT, ASSEMBLY (MOD 875) (PRE ALT. R60/74)	1	-	LB1/2	
EA3.24.221	AILERON, REAR PORTION, PORT, ASSEMBLY (ALT. R60/74)	1	-		
EA3.24.6	AILERON, REAR PORTION, STARBOARD, ASSEMBLY (MOD 875) (PRE ALT R60/74)	1	-	LB1/46	
EA3.24.222	AILERON, REAR PORTION, STARBOARD ASSEMBLY (ALT. R60/74)	1	-		
EA1.24.259	CLIP, tab, push rod fairing, 30 SWG	1	Spring Steel	LB1/3	
EA1.24.247	HOUSING, bearing, tab hinge inboard Attaching parts for EA1.24.247:-	1	L40	LB1/9	
A27CP	Nut, 2BA	4	-	LB1/10	
EEAS1-2C	Screw, 2BA	4	S96	LB1/11	
SP15C	Washer	4	-	LB1/12	
EA1.24.199	HOUSING, bearing, tab hinge, outboard Attaching parts for EA1.24.199:-	1	L64	LB1/4	
A25-2C	Bolt, 2BA	3	-	LB1/5	
A27CP	Nut, 2BA	3	-	LB1/6	
SP15C	Washer	3	-	LB1/7	
SP16C	Washer	3	-	LB1/8	
EA1.24.261	HOUSING, c/w bearing, tab hinge centre, port	1	-	LB1/13	
EA1.24.262	HOUSING, c/w bearing, tab hinge centre, starboard Attaching parts for EA1.24.261 and EA1.24.262:-	1	-	LB1/47	
A25-3C	Bolt, 2BA	2	-	LB1/14	
AS1242-3C	Bolt, csk. head, 2BA	1	-	LB1/15	
A27CP	Nut, 2BA	3	-	LB1/16	
SP16C	Washer	3	-	LB1/17	
EA1.24.915	TAB, fixed, port	1	-	LB1/18	
EA1.24.916	TAB, fixed, starboard	1	-	LB1/48	
EA3.24.177	ATTACHMENT OF BEARING AT OUTBOARD HINGE, RIB 20 Consisting of:-	-	-	LB1/19	
SKEFCO	BEARING, ballrace	1	-	LB1/20	
CBA3	CIRCLIP, 1 7/16" i/d	1	-	LB1/21	
AGS2030-45	ATTACHMENT OF TOP AND BOTTOM NOSE SKIN TO AILERON SPAR, PORT	-	-	LB1/22	
EA3.24.183	ATTACHMENT OF TOP AND BOTTOM NOSE SKIN TO AILERON SPAR, STARBOARD	-	-	LB1/49	
EA1.24.405	COVER, inspection, tab gear, 20 SWG Attaching parts for EA1.24.405:-	1	L72	LB1/23	
EA3.24.191	Bolt, 2BA	6	S95	LB1/24	
EA3.24.271	STOP, rubber, aileron control	2	Shore 55	LB1/25	

MAINPLANE

AILERON

Part Number	Description	No. Off	Matl. Spec.	Plate No.
EA1.24.269	. FAIRING, aileron tab, push rod, 18 SWG, port	1	L59	LB1/26
EA1.24.270	. FAIRING, aileron tab, push rod, 18 SWG, starboard	1	L59	LB1/50
EA3.24.175	. HINGE, AILERON TAB, PORT, INSTALLATION (MOD 875)	—	—	LB1/27
EA3.24.176	. HINGE, AILERON TAB, STARBOARD, INSTALLATION (MOD 875)	—	—	LB1/51
	Consisting of:—			
SKEFCO CBAO	. . BEARING, ballrace	2	—	LB1/28
AGS2030-15	. . CIRCLIP	2	—	LB1/31
EA3.00.5425	. . TAB, AILERON, PORT, ASSEMBLY (Spares for EA1.24.923) (Pre-Mod 5344)	1	—	
EA3.00.5781	. . TAB, AILERON, PORT, ASSEMBLY (Spares for EA1.24.923) (Mod 5344)	1	—	LB1/34
EA3.00.5426	. . TAB, AILERON, STARBOARD, ASSEMBLY (Spares for EA1.24.924) (Pre-Mod 5344)	1	—	
EA3.00.5782	. . TAB, AILERON, STARBOARD, ASSEMBLY (Spares for EA1.24.924) (Mod 5344)	1	—	LB1/52
EA1.24.251	. . . LUG, half, centre hinge	1	DTD683	LB1/35
EA1.24.252	. . . LUG, half, centre hinge	1	DTD683	LB1/39
	Attaching parts for EA1.24.251 and EA1.24.252:—			
A25-1C	. . . Bolt, 2BA	2	—	LB1/40
AS124-1C	. . . Bolt, csk. head, 2BA	1	—	LB1/41
EA1.24.956	. . . Shim (If required, max. thick 0.022")	QR	Lam. Alum	LB1/42
EA1.24.955	. . . Shim (If required, max. thick 0.022")	QR	LAM. ALUM	LB1/38
EA1.24.227	. . . SOCKET, hinge, inboard and outboard	2	L40	LB1/43
EA1.24.229	. . . SPINDLE, hinge, outboard	1	S11	LB1/44
	Attaching parts for EA1.24.923 and EA1.24.924:—			
EA1.24.231	. . . Bolt, hinge, inboard	1	S11	LB1/29
EA1.24.263	. . . Bolt, hinge, centre	1	S11	LB1/30
A27CS	. . . Nut, thin, 2BA	1	—	LB1/32
SP90C5	. . . Pin, split 1-16"	1	—	LB1/32A
EA1.24.375	. ROD, TAB, CONTROL, OPERATING GEAR, PORT, ASSEMBLY (PRE-MOD 1707)	1	—	
EA3.24.207	. ROD, TAB, CONTROL, OPERATING GEAR, PORT, ASSEMBLY (MOD 1707)	1	—	
EA1.24.376	. ROD, TAB, CONTROL, OPERATING GEAR, STARBOARD, ASSEMBLY (PRE-MOD 1707)	1	—	
EA3.24.208	. ROD, TAB, CONTROL, OPERATING GEAR, STARBOARD, ASSEMBLY (MOD 1707)	1	—	
	Spares for:—			
EA1.24.353	. . LEVER, port, assembly	1	—	LB2/16
EA1.24.354	. . LEVER, starboard, assembly	1	—	LB2/17
	Spares for:—			
EA1.24.953	. . . LEVER, arm, assembly	1	—	LB2/40
	Spares for:—			
EA1.24.355 ARM, lever	1	—	LB2/41
CBA2 BEARING, ball	1	—	LB2/42
EEAS3D HOUSING, ballrace	1	—	LB2/43
EEAS4-20C WASHER, packing	2	—	LB2/44
	Attaching parts for EA1.24.953:—			
EA1.24.359	. . . Bolt, special	4	—	LB2/38
AGS2002C1	. . . Nut, stiff, 2BA	4	—	LB2/39
EA1.24.913	. . . SPOOL, port	1	—	LB2/36
EA1.24.914	. . . SPOOL, starboard	1	—	LB2/37
	Attaching parts for EA1.24.353 and EA1.24.354:—			
EA1.24.331	. . Bolt, special	4	—	LB2/17A
AGS2002C1	. . Nut, 2BA	4	—	LB2/17B
SP28L12	. . Pin, taper	2	—	LB2/17C

AP101B-0402-3A

MAINPLANE

Page LB.3

AILERON

Part Number	Description	No. Off	Mati. Spec.	Plate No.
EA1.24.221	. . . ROD, blow-back	1	—	LB2/19
EA1.24.373	. . . TUBE, torque, assembly (Pre Mod.1707)	1	—	LB2/20
EA3.24.205	. . . TUBE, torque, assembly (Mod.1707)	1	—	LB2/21
EA3.24.173	. . . TUBE, TORQUE, AND TAB OPERATING GEAR, PORT ASSEMBLY (MOD.875) (PRE ALT. R60/74)	—	—	LB2/1
EA3.24.219	. . . TUBE, TORQUE, AND TAB OPERATING GEAR, PORT ASSEMBLY (ALT. R60/74)	—	—	
EA3.24.174	. . . TUBE, TORQUE, AND TAB OPERATING GEAR, STARBOARD ASSEMBLY (MOD.875) (PRE ALT. R60/74)	—	—	LB2/2
EA3.24.220	. . . TUBE, TORQUE, AND TAB OPERATING GEAR, STARBOARD ASSEMBLY (ALT. R60/74)	—	—	
	Spares for:			
T17	. . . BEARING, ballrace	1	—	LB2/3
BAL5/8	. . . BEARING, ballrace	1	—	LB2/4
CBS3	. . . BEARING, ballrace	1	—	LB2/18
EA1.24.195	. . . BRACKET	1	L65 or DTD683	LB2/5
	Attaching parts for EA1.24.195:			
A25-5E	. . . Bolt, ¼" BSF	2	—	LB2/6
EA1.24.225	. . . Bolt, ¼" BSF, csk. head	3	—	LB2/45
AGS2001E1	. . . Nut, stiff, ¼" BSF	3	—	LB2/47
SP124E	. . . Washer	3	—	LB2/48
SP123E	. . . Washer	2	—	LB2/7
EA1.45.987	. . . Washer, shim	2	—	LB2/24
EA1.24.301	. . . BUSH, aileron control stop (Pre Alt. R60/74)	1	DTD625	LB2/8
EA3.24.215	. . . BUSH (Alt. R60/74)	1	BS2874	
AGS2030-26	. . . CIRCLIP, 1 9/16" i/d	1	—	LB2/9
AGS2031-22	. . . CIRCLIP, 1 1/16" o/d	1	—	LB2/10
AGS2030-22	. . . CIRCLIP, 7/8" i/d	1	—	LB2/46
EA1.24.243	. . . LEVER	1	L40	LB2/11
	Attaching parts for EA1.24.243:			
A25-10C	. . . Bolt, 2BA	1	—	LB2/12
A27CS	. . . Nut, 2BA, slotted	1	—	LB2/13
SP90C5	. . . Pin, split	1	—	LB2/14
EA1.24.245	. . . Washer, saddle	2	L40	LB2/15
EA1.24.917	. . . ROD, push, assembly (Pre Alt. R60/14)	1	—	LB2/25
EK5.24.601	. . . ROD, push, assembly (Alt. R60/14)	1	—	
	Spares for:			
EA1.24.899	. . . NUT, special, lock	1	S95	LB2/26
CM2B	. . . ROD, end, ball bearing	1	—	LB2/27
EA1.24.919	. . . SOCKET, c/w bearing No.402259B, Ref.452 (Pre Alt. R60/14)	1	—	LB2/28
EK5.24.603	. . . SOCKET, assembly (Alt. R60/14)	1	—	
	Attaching parts for EA1.24.917 and EK5.24.601:			
EA1.24.263	. . . Bolt, special	1	S95	LB2/29
EA1.24.267	. . . Bolt, special	1	S95	LB2/30
A27CS	. . . Nut, 2BA, slotted	2	—	LB2/31
SP90C7	. . . Pin, split	2	—	LB2/32
EA1.24.391	. . . Tube, distance	2	—	LB2/33
SP15C	. . . Washer	1	—	LB2/34

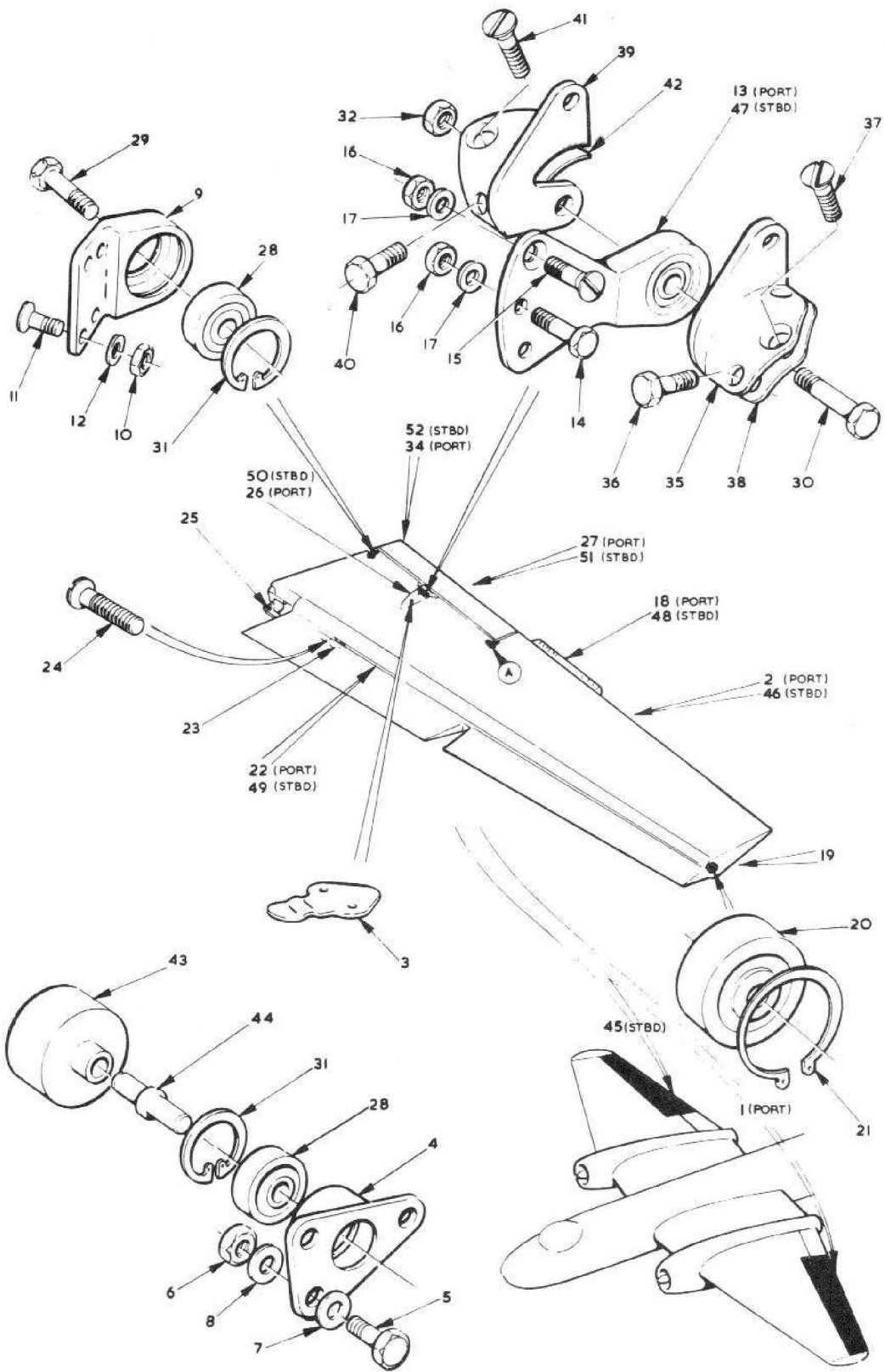


FIG1 AILERON PORT AND STARBOARD

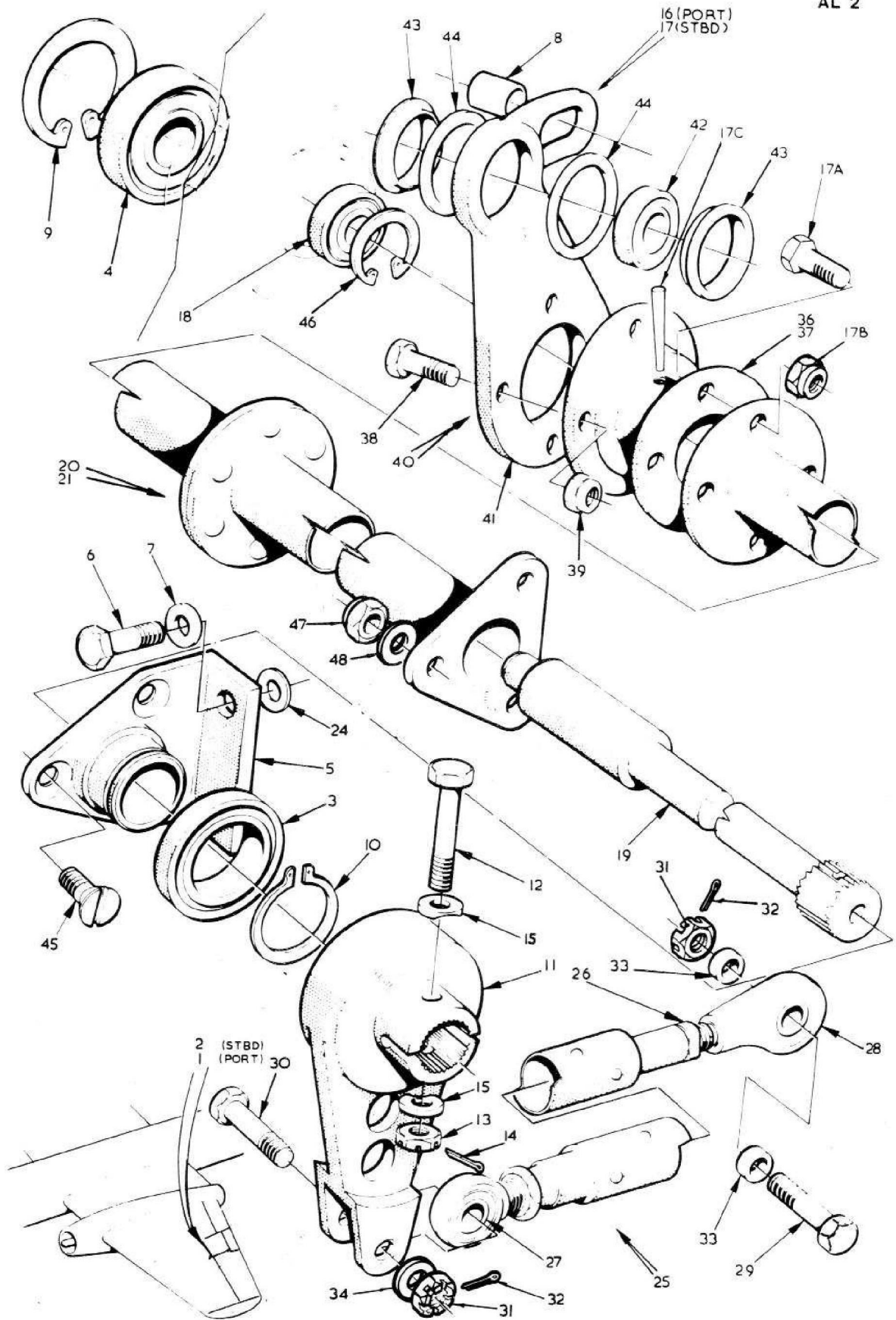


FIG 2 AILERON, PORT AND STARBOARD

This file was downloaded
from the RTFM Library.

Link: www.scottbouch.com/rtfm

Please see site for usage terms,
and more aircraft documents.

