

TANKS
JETTISON WING FUEL TANK

Part Number	Description	No. Off	Matl. Spec.	Plate No.
EB6.00.347	TANK, 250 GALLON, JETTISONABLE, WING FUEL INSTALLATION, PORT (MOD.2395)	—	—	
EB6.00.348	TANK, 250 GALLON, JETTISONABLE, WING FUEL INSTALLATION, STARBOARD (MOD.2395) Consisting of:—	—	—	
EA1.00.81	. ATTACHMENT DETAILS, DROP TANK TO WING, PORT	—	—	
EA1.00.82	. ATTACHMENT DETAILS, DROP TANK TO WING, STARBOARD Consisting of:—	—	—	
EA1.20.2031	. . . BOLT, explosive	3	DTD683	UA1/1
EA1.81.317	. . . DETONATOR, FORWARD, EXPLOSIVE BOLT, ASSEMBLY Consisting of:—	1	—	UA1/10
EA3.81.353 DETONATOR	1	—	UA1/2
EA1.81.939 PLUG, detonator	1	—	UA1/3
H15 SLEEVE, ½" long	2	—	UA1/4
H50 SLEEVE, ½" long	1	—	UA1/5
EA1.81.938 SPRING	1	—	UA1/6
703-2-00315-020 TAG, quick release	2	—	UA1/7
703-2-00339-020 THIMBLE	2	—	UA1/8
EA1.81.428 TUBE, detonator	1	—	UA1/9
BS2848/3/85T TUBE, rubber	QR	—	UA1/9A
EA1.81.318	. . . DETONATOR, REAR, OUTBOARD, EXPLOSIVE BOLT, ASSEMBLY Consisting of:—	1	—	UA1/11
EA3.81.353 DETONATOR	1	—	UA1/2
EA1.81.939 PLUG, detonator	1	—	UA1/3
H15 SLEEVE, ½" long	2	—	UA1/4
H50 SLEEVE, ½" long	1	—	UA1/5
EA1.81.938 SPRING	1	—	UA1/6
703-2-00315-020 TAG, quick release	2	—	UA1/7
703-2-00339-020 THIMBLE	2	—	UA1/8
EA1.81.428 TUBE, detonator	1	—	UA1/9
BS2848/3/85T TUBE, rubber	QR	—	UA1/9A
EA1.81.599	. . . DETONATOR, REAR, INBOARD, EXPLOSIVE BOLT, ASSEMBLY Consisting of:—	1	—	UA1/12
EA3.81.353 DETONATOR	1	—	UA1/2
EA1.81.939 PLUG, detonator	1	—	UA1/3
H15 SLEEVE, 1" x ½"	2	—	UA1/4
H50 SLEEVE, 3" x ½"	1	—	UA1/5
EA1.81.938 SPRING	1	—	UA1/6
703-2-00315-020 TAG, quick release	2	—	UA1/7
703-2-00339-020 THIMBLE	2	—	UA1/8
EA1.81.428 TUBE, detonator	1	—	UA1/9
BS2848/3/85T TUBE, rubber	QR	—	UA1/9A
AGS2002Q1 NUT, stiff, 5/8" BSF	3	—	UA1/9B
EA1.57.1239	. . . PIPE, air break, c/w stop	1	—	UA1/13
EA1.57.1241	. . . PIPE, fuel break, c/w stop	1	—	UA1/14
EA1.20.10505	. . . WASHER, special, explosive bolt	3	DTD124	UA1/15
EA1.20.8833	. . . WASHER, special, explosive bolt	3	DTD683	UA1/16

TANKS
JETTISON WING FUEL TANK

Part Number	Description	No. Off	Matl. Spec.	Plate No.
EA3.62.217 or BRISTOL A/C 75-04-0001	TANK, DROP, PORT ASSEMBLY (MOD.2395)	1	—	UA1/17
EA3.62.218 or BRISTOL A/C 75-04-0002	TANK, DROP, STARBOARD, ASSEMBLY (Mod.2395)	1	—	UA1/18
EA3.62.113	Spares for:— BLOCK, contact, navigation light Attaching parts for EA3.61.113:—	1	—	UA1/19
A33B16	Screw, csk, head 4BA	2	—	UA1/19A
EA3.62.151	BODY, adaptor for filler cap Attaching parts for EA3.62.151:—	1	—	UA1/20
AS1242/1C	Bolt, csk, head 2BA	18	—	UA1/20A
EA2.62.57	Ring, nut	1	—	UA1/20B
EA2.62.71	Washer, sealing	1	—	UA1/20C
EA3.62.191	CAP, FILLER, C/W INBOARD VENT VALVE, ASSEMBLY Spares for:—	1	—	UA1/21
EA3.62.219	RING, locking (Mod.5239)	1	—	UA1/21A
EA2.62.143	WASHER, sealing, filler cap assembly	1	—	UA1/22
EA3.62.197	WASHER, sealing, vent valve head	1	Hycatrol 257	UA1/22A
5L/9952431	FILAMENT, lamp	1	—	UA1/36
E & I 7733	LAMP, navigation, type B, port	1	—	UA1/37
WNL 32P	LAMP, navigation, type B, starboard Attaching parts for E & I 7733 and WNL32P:—	1	—	UA1/37A
AGS2002A1	Nut, stiff, 6BA	4	—	UA1/38
EA3.62.77	PANEL, access, top skin Attaching parts for EA3.62.77:—	1	—	UA1/39
AS1248/1C	Bolt, mush. head 2BA	18	—	UA1/40
EA2.62.57	Ring, nut	1	—	UA1/41
EA2.62.71	Washer, sealing	1	—	UA1/42
EA2.62.73	PIPE AND MOUNTING, FUEL, PORT, ASSEMBLY	—	—	UA1/23
EA2.62.74	PIPE AND MOUNTING, FUEL, STARBOARD, ASSEMBLY Spares for:—	—	—	UA1/24
EA2.62.227	CLIP, bottom, air pipe	1	—	UA1/25
EA2.62.229	CLIP, bottom, fuel pipe	1	—	UA1/26
SP91C	CLIP, top, air pipe	1	—	UA1/25A
SP91J	CLIP, top, fuel pipe	1	—	UA1/26A
EEAS77/84	HOSE, connection, for fuel break pipe, 1 3/4" i/d x 1.5/8" o/d x 3" long	1	DTD625	UA1/27
EEAS77/32	HOSE, connection, for fuel break pipe, 1/2" i/d x 3/4" o/d x 2 3/4" long	1	DTD625	UA1/28
AS4566/1B	SCREW, 4BA mush. head	50	—	UA1/47
EA3.62.115	SEAL 'P' (Make from EEAS121) (26FZ/4432) (Pre Mod.5282)	1	—	UA1/34
EA3.62.223	SEAL, 'P' (Make from EEAS843) (26FZ/6147758) (Mod.5282)	1	—	—
EA3.62.189	SOCKET, EARTHING, ASSEMBLY Consisting of:—	1	—	UA1/29
EA3.62.181	CAP, sealing	1	DTD683	UA1/30
EA3.62.177	SOCKET, earth plug	1	DTD683	UA1/31
EA3.62.183	SPRING	1	DTD215	UA1/32
No4. x 3/8"	Attaching parts for EA3.62.189:— Screw, self tapping, type Z	6	—	UA1/33A
EA3.62.185	Washer, sealing	1	Neo-K-Tex	UA1/33

AP 101B-0402-3A

TANKS

Page UA.3

JETTISON WING FUEL TANK

Part Number	Description	No. Off	Matl. Spec.	Plate No.
EA1.20.10897	. . VALVE, DRAIN, ASSEMBLY Spares for:	1	—	UA1/35
EA1.20.10901	. . . PLUG, DRAIN, ASSEMBLY Spares for:	1	—	UA1/43
EA1.20.10903 PLUG, housing	1	L40	UA1/44
EA1.20.10907 PLUG	1	L40	UA1/45
EA1.20.10905 RING, Hycatrol	1	Grade HE/4	UA1/46
EA3.62.117	. . WASHER, special	50	Petrolite	UA1/48
EA1.20.2903	. . WASHER, sealing	2	Neo-K-Tex	UA1/49

R

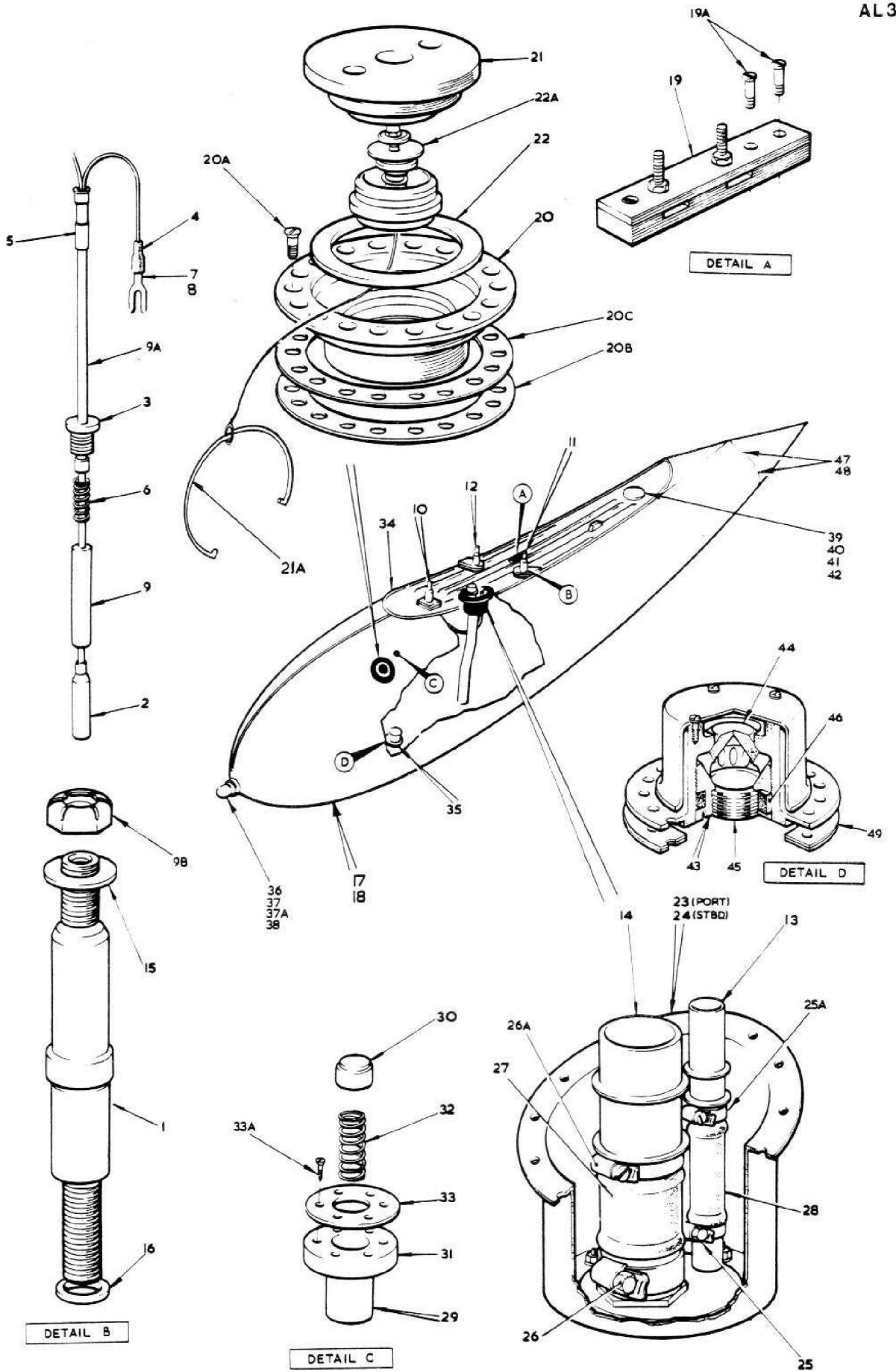


FIG. 1 JETTISONABLE WING FUEL TANK

This file was downloaded
from the RTFM Library.
Link: www.scottbouch.com/rtfm
Please see site for usage terms,
and more aircraft documents.

