

## MAINPLANE

## WING TIP

Ref. No.	Part No.	Description	No. off	Matl. Spec.	Cl. of Equip M.R. L.M.	Plate No.
41328	EA3.00.5174	WING TIP, PORT, ASSEMBLY (Spares condition) (Ref. Drg. EA1.00.67)	1	—	A	LD1/1
41329	EA3.00.5175	WING TIP, STARBOARD, ASSEMBLY (Spares condition) (Ref. Drg. EA1.00.68)	1	—	A	LD1/2
	EA1.20.1953	Spares for:— STRUCTURE, WING TIP, PORT, ASSEMBLY	—	—	—	LD1/3
	EA1.20.1954	STRUCTURE, WING TIP, STARBOARD, ASSEMBLY	—	—	—	LD1/4
4780	EA3.20.2443	PLATE, blanking, explosive bolt hole	1	DTD683	C	LD1/5
3639	EA1.20.2471	PLATE, locking, explosive bolt hole	1	L72	C	LD1/6
		Attaching parts for EA3.20.2443 & EA1.20.2471:—				
28S/9435718	A33C24	Screw, 2BA	1	—	C	LD1/7
41221	EA3.00.5168	WING TIP, CENTRE, PORT, ASSEMBLY (Spares condition) (Ref. Drg. EA3.20.1023)	1	—	B/MR	LD1/8
41224	EA3.00.5169	WING TIP, CENTRE, STARBOARD, ASSEMBLY (Spares condition) (Ref. Drg. EA3.20.1024)	1	—	B/MR	LD1/9
		Spares for:—				
3643	EA3.20.1061	PANEL, access, explosive bolt	1	—	C	LD1/10
3407	EA1.20.2399	PANEL, removable, fuel and air pipe access, port	1	—	C	LD1/11
3408	EA1.20.2400	PANEL, removable, fuel and air pipe access, starboard	1	—	C	LD1/12
4440	EA1.20.2395	PANEL, top, access, port	1	—	C	LD1/13
4441	EA1.20.2396	PANEL, top, access, starboard	1	—	C	LD1/14
		Attaching parts for EA1.20.2395 & EA1.20.2396:—				
1025	EEAS1/1C	Screw, 2BA	8	S96	C	LD1/15
1025	EEAS1/1C	Attaching parts for EA3.00.5168 & EA3.00.5169:— Screw, 2BA	10	S96	C	LD1/16
41222	EA3.00.5170	WING TIP, FORWARD, PORT, ASSEMBLY (Spares condition) (Ref. Drg. EA1.20.2433)	1	—	B/MR	LD1/17
41225	EA3.00.5171	WING TIP, FORWARD, STARBOARD, ASSEMBLY (Spares condition) (Ref. Drg. EA1.20.2434)	1	—	B/MR	LD1/18
		Spares for:—				
3568	EA1.20.9151	COVER, navigation light	1	DTD846	B	LD1/19
24687	EA3.20.3192	PANEL, access, navigation light, port	1	—	—	LD1/20
	or					
	EA3.20.3197	DOOR, access, navigation light, port	1	—	—	
22518	EA3.20.3191	PANEL, access, navigation light, starboard	1	—	—	LD1/21
	or					
	EA3.20.3198	DOOR, access, navigation light, starboard	1	—	—	
41223	EA3.00.5172	WING TIP, rear, port, assembly (Spares condition) (Ref. Drg. EA1.20.1955)	1	—	B/MR	LD1/22
41226	EA3.00.5173	WING TIP, rear, starboard, assembly (Spares condition) (Ref. Drg. EA1.20.1956)	1	—	B/MR	LD1/23
		Attaching parts for EA3.00.5174 and EA3.00.5175:—				
1468	EEAS1/2C	Screw, 2BA	92	S96	C	LD1/24

## MAINPLANE

## WING TIP

Part Number	Description	No. Off	Matl. Spec.	Plate No.
EA3.00.5174	WING TIP, PORT, ASSEMBLY (Spares condition) (Ref.Drg.EA1.00.67)	1	-	LD1/1
EA3.00.5175	WING TIP, STARBOARD, ASSEMBLY (Spares condition) (Ref.Drg.EA1.00.68)	1	-	LD1/2
	Spares for:-			
EA1.20.1953	. STRUCTURE, WING TIP, PORT, ASSEMBLY	-	-	LD1/3
EA1.20.1954	. STRUCTURE, WING TIP, STARBOARD, ASSEMBLY	-	-	LD1/4
	Spares for:-			
EA3.20.2443	. . PLATE, blanking, explosive bolt hole	1	DTD683	LD1/5
EA1.20.2471	. . PLATE, locking, explosive bolt hole	1	L72	LD1/6
	Attaching parts for EA3.20.2443 & EA1.20.2471:-			
A33C24	. . Screw, 2BA	1	-	LD1/7
EA3.00.5168	. . WING TIP, CENTRE, PORT, ASSEMBLY (Spares condition) (Ref.Drg.EA3.20.1023)	1	-	LD1/8
EA3.00.5169	. . WING TIP, CENTRE, STARBOARD, ASSEMBLY (Spares condition) (Ref.Drg.EA3.20.1024)	1	-	LD1/9
	Spares for:-			
EA3.20.1061	. . . PANEL, access, explosive bolt	1	-	LD1/10
EA1.20.2399	. . . PANEL, removable, fuel and air pipe access, port	1	-	LD1/11
EA1.20.2400	. . . PANEL, removable, fuel and air pipe access, starboard	1	-	LD1/12
EA1.20.2395	. . . PANEL, top, access, port	1	-	LD1/13
EA1.20.2396	. . . PANEL, top, access, starboard	1	-	LD1/14
	Attaching parts for EA1.20.2395 & EA1.20.2396:-			
EEAS1/1C	. . . Screw, 2BA	8	S96	LD1/15
	Attaching parts for EA3.00.5168 & EA3.00.5169:-			
EEAS1/1C	. . . Screw, 2BA	10	S96	LD1/16
EA3.00.5170	. . WING TIP, FORWARD, PORT, ASSEMBLY (Spares condition) (Ref.Drg.EA1.20.2433)	1	-	LD1/17
EA3.00.5171	. . WING TIP, FORWARD, STARBOARD, ASSEMBLY (Spares condition) (Ref.Drg.EA1.20.2434)	1	-	LD1/18
	Spares for:-			
EA1.20.9151	. . . COVER, navigation light	1	DTD846	LD1/19
EA3.20.3192	. . . PANEL, access, navigation light, upper, port	1	-	LD1/20
	or			
EA3.20.3197	. . . DOOR, access, navigation light, upper, port	1	-	
EA3.20.3191	. . . PANEL, access, navigation light, upper, starboard	1	-	LD1/21
	or			
EA3.20.3198	. . . DOOR, access, navigation light, upper, starboard	1	-	
R EA3.20.5069	. . . PANEL, access, navigation light, lower, port (Mod 4152)	1	-	LD1/25
R EA3.20.5070	. . . PANEL, access, navigation light, lower, starboard (Mod 4152)	1	-	LD1/26
R EA3.20.5073	. . . PIECE, packing (Mod 4152)	1	-	LD1/27
R EA3.20.5071	. . . STRIP, backing (Mod 4152)	1	-	LD1/28
R EA3.20.5072	. . . STRIP, backing (Mod 4152)	1	-	LD1/29
EA3.00.5172	. . WING TIP, rear, port, assembly (Spares condition) (Ref.Drg.EA1.20.1955)	1	-	LD1/22
EA3.00.5173	. . WING TIP, rear, starboard, assembly (Spares condition) (Ref.Drg.EA1.20.1956)	1	-	LD1/23
	Attaching parts for EA3.00.5174 and EA3.00.5175:-			
EEAS1/2C	Screw, 2BA	92	S96	LD1/24

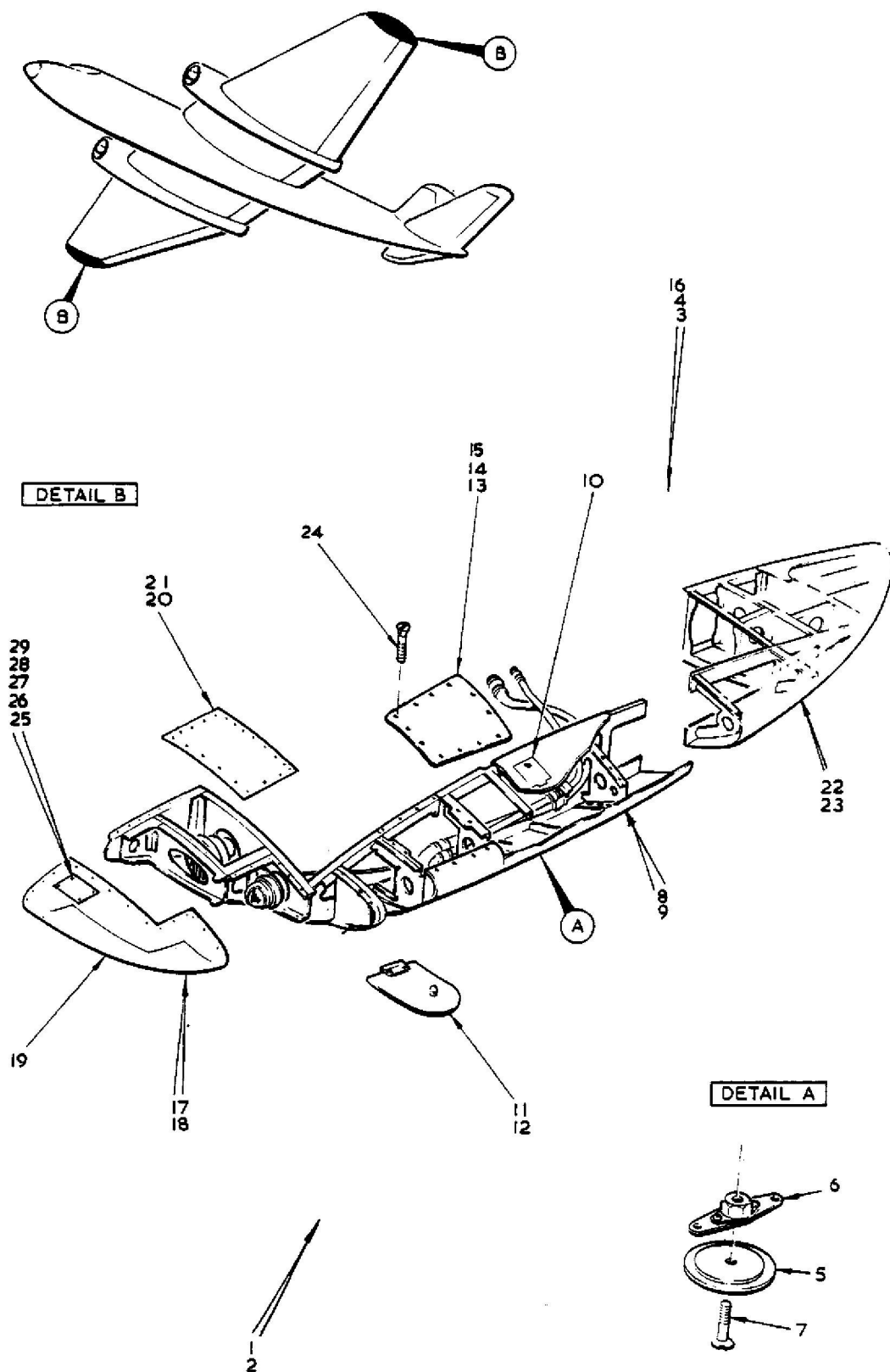


FIG 1 WING TIP PORT AND STARBOARD

This file was downloaded  
from the RTFM Library.

Link: [www.scottbouch.com/rtfm](http://www.scottbouch.com/rtfm)

Please see site for usage terms,  
and more aircraft documents.

