

## RADAR

## A.R.I. 18107/18, TACAN, INSTALLATION

Part Number	Description	No. Off	Matl. Spec.	Plate No.
R EA4.82.317	A.R.I. 18107/18, TACAN, INSTALLATION	-	-	QB1/1
R EA4.82.325	Spares for:- . TACAN, front fuselage, assembly	-	-	QB1/2
R 5372/1	Spares for:- . . CONNECTOR, from control unit to transmitter/receiver	1	-	QB1/3
R 5372/2	. . CONNECTOR, from transmitter/receiver to aerial	1	-	QB1/4
R 5372/3	. . CONNECTOR, from coupling unit to navigator's indicator	1	-	QB1/5
R 5372/4	. . CONNECTOR, from coupling unit to pilot's indicator	1	-	QB1/6
R 5372/5	. . CONNECTOR, from transmitter/receiver to coupling unit	1	-	QB1/7
R 5372/6	. . CONNECTOR, from transmitter/receiver to coupling unit	1	-	QB1/8
R 5372/7	. . CONNECTOR, from transmitter/receiver to inverter panel	1	-	QB1/9
R 40828	. . INSTALLATION of Tacan aerial, omni-100B	-	-	QB1/10
R 10820275	Spares for:- . . . AERIAL, omni 100B	1	-	QB1/11
R 21791	Attaching parts for 108/20275:- . . . Packing, 6 SWG	1	L72	QB1/12
R EEAS1/6C	. . . Screw, 2BA	12	S96	QB1/13
R 12780	. . . Seal, rubber	1	-	QB1/14
R 40820	. . INSTALLATION of inverter	-	-	QB1/15
R SUB4357518	. . . INVERTER, type 108	1	-	QB1/16
R A25/5G	Attaching parts for SUB/4357518:- . . . Bolt, 5/16" BSF	4	-	QB1/17
R SP13/G	. . . Washer	4	-	QB1/18
R 40824	. . INSTALLATION of relay and fuses on shelf in equipment bay (See section EB)	-	-	

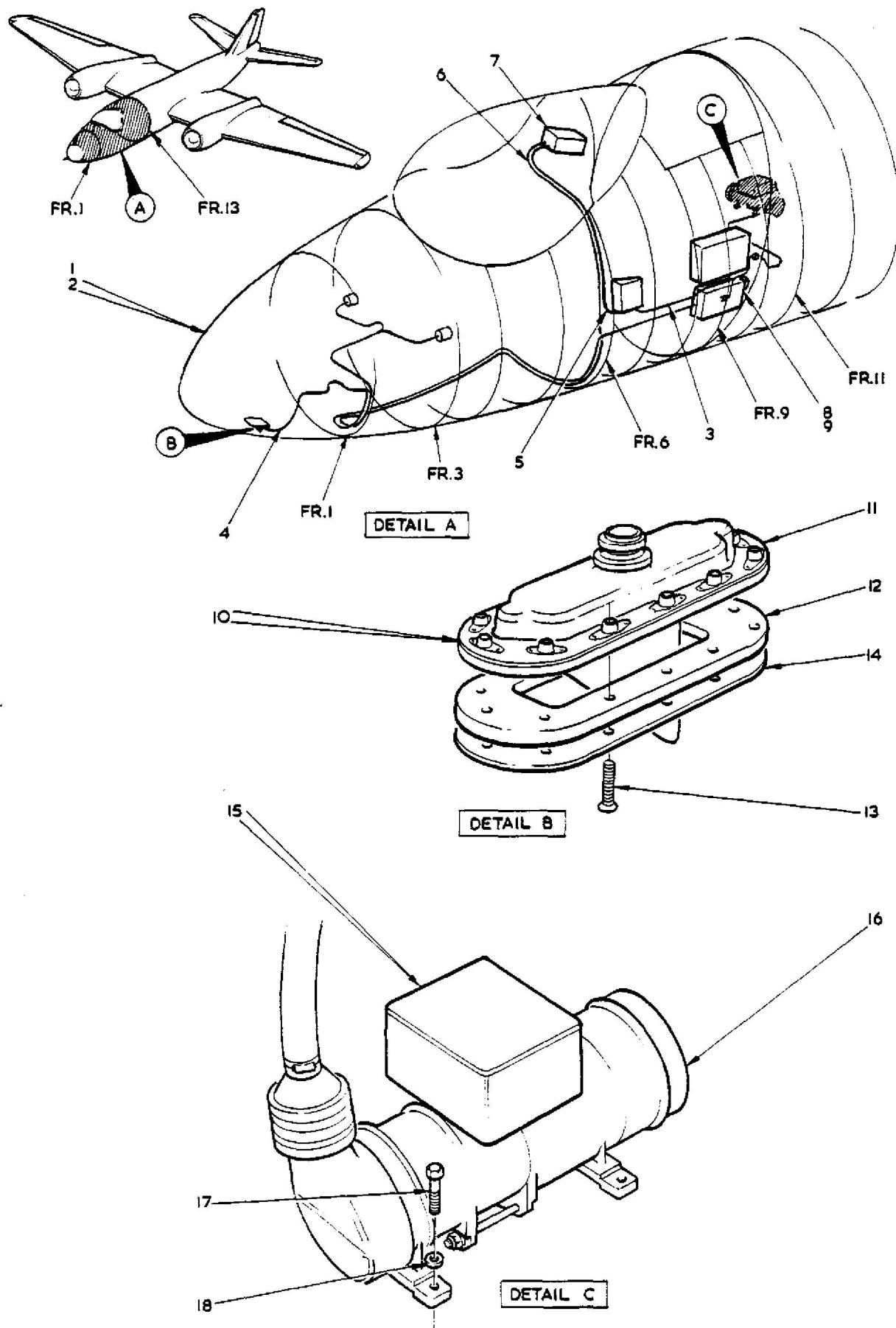


FIG 1 RADAR INSTALLATION TACAN

This file was downloaded  
from the RTFM Library.

Link: [www.scottbouch.com/rtfm](http://www.scottbouch.com/rtfm)

Please see site for usage terms,  
and more aircraft documents.



LIGHTNING MK. 1  
COVER PITOT HEAD  
EB2-88-5111