

TANKS
JETTISON WING FUEL TANK

Part Number	Description 1 2 3 4 5 6	No. Off	Matl. Spec.	Plate No.
EA3.00.505	TANK, 250 GALLON, JETTISONABLE, WING FUEL INSTALLATION, PORT (PRE-MOD 2395)	-	-	
EB6.00.347	TANK, 250 GALLON, JETTISONABLE, WING FUEL INSTALLATION, PORT (MOD 2395)	-	-	
EA3.00.506	TANK, 250 GALLON, JETTISONABLE, WING FUEL INSTALLATION, STARBOARD (PRE-MOD 2395)	-	-	
EB6.00.348	TANK, 250 GALLON, JETTISONABLE, WING FUEL INSTALLATION, STARBOARD (MOD 2395)	-	-	
EA1.00.81	. ATTACHMENT DETAILS, DROP TANK TO WING, PORT	-	-	
EA1.00.82	. ATTACHMENT DETAILS, DROP TANK TO WING, STARBOARD	-	-	
EA1.20.2031	. . . BOLT, explosive	3	DTD683	UA1/1
EA1.81.317	. . . DETONATOR, FORWARD, EXPLOSIVE BOLT, ASSEMBLY Consisting of:-	1	-	UA1/10
EA3.81.353 DETONATOR	1	-	UA1/2
EA1.81.939 PLUG, detonator	1	-	UA1/3
H15 SLEEVE, 1/2" long	2	-	UA1/4
H50 SLEEVE, 1/2" long	1	-	UA1/5
EA1.81.938 SPRING	1	-	UA1/6
703-2-00315-020 TAG, quick release	2	-	UA1/7
703-2-00339-020 THIMBLE	2	-	UA1/8
EA1.81.428 TUBE, detonator	1	-	UA1/9
BS2848/3/85T TUBE, rubber	QR	-	UA1/9A
EA1.81.318	. . . DETONATOR, REAR, OUTBOARD, EXPLOSIVE BOLT, ASSEMBLY Consisting of:-	1	-	UA1/11
EA3.81.353 DETONATOR	1	-	UA1/2
EA1.81.939 PLUG, detonator	1	-	UA1/3
H15 SLEEVE, 1/2" long	2	-	UA1/4
H50 SLEEVE, 1/2" long	1	-	UA1/5
EA1.81.938 SPRING	1	-	UA1/6
703-2-00315-020 TAG, quick release	2	-	UA1/7
703-2-00339-020 THIMBLE	2	-	UA1/8
EA1.81.428 TUBE, detonator	1	-	UA1/9
BS2848/3/85T TUBE, rubber	QR	-	UA1/9A
EA1.81.599	. . . DETONATOR, REAR, INBOARD, EXPLOSIVE BOLT, ASSEMBLY Consisting of:-	1	-	UA1/12
EA3.81.353 DETONATOR	1	-	UA1/2
EA1.81.939 PLUG, detonator	1	-	UA1/3
H15 SLEEVE, 1" x 1/2"	2	-	UA1/4
H50 SLEEVE, 3" x 1/2"	1	-	UA1/5
EA1.81.938 SPRING	1	-	UA1/6
703-2-00315-020 TAG, quick release	2	-	UA1/7
703-2-00339-020 THIMBLE	2	-	UA1/8
EA1.81.428 TUBE, detonator	1	-	UA1/9
BS2848/3/85T TUBE, rubber	QR	-	UA1/9A
AGS2002Q1 NUT, stiff, 5/8" BSF	3	-	UA1/9B
EA1.57.1239 PIPE, air break, c/w stop	1	-	UA1/13
EA1.57.1241 PIPE, fuel break, c/w stop	1	-	UA1/14
EA1.20.10505 WASHER, special, explosive bolt	3	DTD124	UA1/15
EA1.20.8833 WASHER, special, explosive bolt	3	DTD683	UA1/16

R

TANKS
JETTISON WING FUEL TANK

Part Number	Description	No. Off	Mati. Spec.	Plate No.
EA3.62.175	. TANK, DROP, PORT ASSEMBLY (PRE-MOD 2395)	1	—	
EA3.62.217	. TANK, DROP, PORT ASSEMBLY (MOD 2395)	1	—	UA1/17
or BRISTOL A/C 75-04-0001				
EA3.62.176	. TANK, DROP, STARBOARD, ASSEMBLY (PRE-MOD 2395)	1	—	
EA3.62.218	. TANK, DROP, STARBOARD, ASSEMBLY (MOD 2395)	1	—	UA1/18
or BRISTOL A/C 75-04-0002				
EA3.62.113	. . Spares for:— BLOCK, contact, navigation light Attaching parts for EA3.62.113:—	1	—	UA1/19
A33B16	. . Screw, csk. head, 4BA	2	—	UA1/19A
EA3.62.151	. . BODY, adaptor for filler cap Attaching parts for EA3.62.151:—	1	—	UA1/20
AS1242/1C	. . Bolt, csk. head, 2BA	18	—	UA1/20A
EA2.62.57	. . Ring, nut	1	—	UA1/20B
EA2.62.71	. . Washer, sealing	1	—	UA1/20C
EA3.62.191	. . CAP, FILLER, C/W INBOARD VENT VALVE, ASSEMBLY Spares for:—	1	—	UA1/21
EA3.62.159	. . . RING, locking (Pre-Mod 5239)	1	—	UA1/21A
EA3.62.219	. . . RING, locking (Mod 5239)	1	—	
EA2.62.143	. . . WASHER, sealing, filler cap assembly	1	—	UA1/22
EA3.62.197	. . . WASHER, sealing, vent valve head	1	Hycatrol 257	UA1/22A
R R R 5L9952431	. . FILAMENT, lamp	1	—	UA1/36
5CX4330018	. . LAMP, navigation, type B, port	1	—	UA1/37
5CX1043420	. . LAMP, navigation, type B, starboard Attaching parts for Ref.5CX/4330018 and 5CX/1043420:—	1	—	UA1/37A
AGS2002A1	. . Nut, stiff, 6BA	4	—	UA1/38
EA3.62.77	. . PANEL, access, top skin Attaching parts for EA3.62.77:—	1	—	UA1/39
AS1248/1C	. . Bolt, mush. head, 2BA	18	—	UA1/40
EA2.62.57	. . Ring, nut	1	—	UA1/41
EA2.62.71	. . Washer, sealing	1	—	UA1/42
EA2.62.73	. . PIPE AND MOUNTING, FUEL, PORT, ASSEMBLY	—	—	UA1/23
EA2.62.74	. . PIPE AND MOUNTING, FUEL, STARBOARD, ASSEMBLY Spares for:—	—	—	UA1/24
EA2.62.227	. . . CLIP, bottom, air pipe	1	—	UA1/25
EA2.62.229	. . . CLIP, bottom, fuel pipe	1	—	UA1/26
SP91C	. . . CLIP, top, air pipe	1	—	UA1/25A
SP91J	. . . CLIP, top, fuel pipe	1	—	UA1/26A
EEAS77/84	. . . HOSE, connection, for fuel break pipe, 1.3/4" i/d x 1.5/8" o/d x 3" long	1	DTD625	UA1/27
EEAS77/32	. . . HOSE, connection, for fuel break pipe, 1/2" i/d x 3/4" o/d x 2.3/4" long	1	DTD625	UA1/28
AS4566/1B	. . SCREW, 4BA, mush. head	50	—	UA1/47
EA3.62.189	. . SOCKET, EARTHING, ASSEMBLY Consisting of:—	1	—	UA1/29
EA3.62.181	. . . CAP, sealing	1	DTD683	UA1/30
EA3.62.177	. . . SOCKET, earth plug	1	DTD683	UA1/31
EA3.62.183	. . . SPRING	1	DTD215	UA1/32
	Attaching parts for EA3.62.189:—			
No.4 x 3/8"	. . Screw, self tapping, type Z	6	—	UA1/33A
EA3.62.185	. . Washer, sealing	1	Neo-K-Tex	UA1/33

TANKS
JETTISON WING FUEL TANK

Part Number	Description 1 2 3 4 5 6	No. Off	Matl. Spec.	Plate No.
R EA3.62.115	. . STRIP, sealing on tank flange, 72" long (Pre-Mod 5282)	1	—	UA1/34
R EA3.62.223	. . STRIP, sealing (Mod 5282) (Make from 26FZ/6147758)	1	Neoprene	
EA1.20.10897	. . VALVE, DRAIN, ASSEMBLY Spares for:—	1	—	UA1/35
EA1.20.10901	. . . PLUG, DRAIN, ASSEMBLY Spares for:—	1	—	UA1/43
EA1.20.10903 PLUG, housing	1	L40	UA1/44
EA1.20.10907 PLUG	1	L40	UA1/45
EA1.20.10905 RING, Hycatrol	1	Grade HE/4	UA1/46
EA3.62.117	. . WASHER, special	50	Petrolite	UA1/48
EA1.20.2903	. . WASHER, sealing	2	Neo-K-Tex	UA1/49

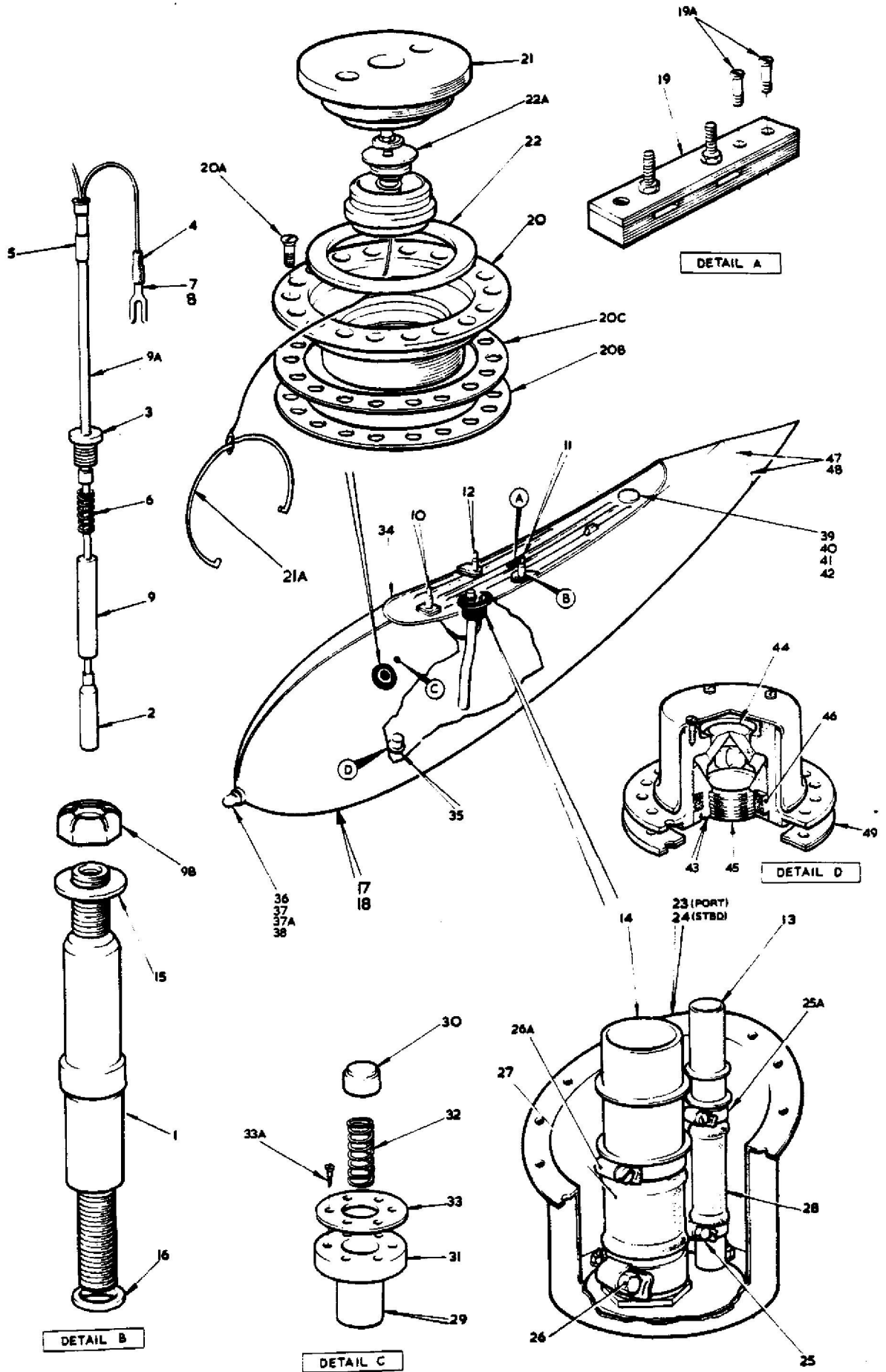


FIG. 1 JETTISONABLE WING FUEL TANK

This file was downloaded
from the RTFM Library.

Link: www.scottbouch.com/rtfm

Please see site for usage terms,
and more aircraft documents.

