

CONTROLS  
ENGINE CONTROLS - FORWARD FUSELAGE

Part No.	Description	No. off	Material Specification	Class of Eqpt M.R. or L.M.	Plate						
						1	2	3	4	5	6
-	CONTROLS, ENGINE, FORWARD FUSELAGE (EB8.47.233) (Pre Mod 4998)	-	-	-							
-	CONTROLS, ENGINE, FORWARD FUSELAGE (EB8.47.747) (Mod 4998)	-	-	-							
-	Spares for:										
-	BOX, Throttle, Mounting (EB8.47.361)	-	-	-							
-	Spares for:										
EB8.47.201x11	BOX, Throttle, Group (Mod 4826 Pre Mod 5478F)	1	-	P/MR	CB1/1						R
EB8.47.201x12	BOX, Throttle, Group (Mod 5478F, Satisfied by CM/CAN/0112/NEAF)	1	-	P/MR	CB1/2						
-	Spares for:										
EB8.47.221	BUSH, tapped 7/8in. BSP	1	S92	C/MR	CB2/1						
EB8.81.5673	CABLE Assembly 16T1 (Mod 3120)	1	-	L	CB1/3						
-	Consisting of:										
5E/1048900	CABLE, Tersil 22	AR	-	C	CB1/4						
5E/1004628	CABLE, Unipren 6	AR	-	C	CB1/5						
EEAS111/3	FERRULE	1	-	C	CB1/6						
Z60668	GASKET, outlet	1	-	C	CB1/7						
CZ.49182	OUTLET	1	-	C	CB1/8						
CZ.49458	PLUG, Mk 4, 12-way	1	-	C	CB1/9						
Z18501/2	RING, clamp	1	-	C	CB1/10						R
Z62231	RING, sealing	1	-	C	CB1/11						
EEAS146/16	SLEEVE, 3/4in. long (Yellow)	16	-	C	CB1/12						R
EEAS118/2/16T1	SLEEVE, marker (Yellow)	1	-	-	CB1/13						
5F/	TUBING, PVC 1/2in. dia.	AR	-	-	-						
5F/	TUBING, PVC 7/16in. dia.	AR	-	-	-						
EA1.47.157	KNOB, throttle locking	1	L1 or L40	C	CB2/2						
EB8.47.599x3	LEVER, Throttle, Port Assembly (Pre Mod 5478F)	1	-	L/MR	CB1/14						R
EB8.47.599x4	LEVER, Throttle, Port Assembly (Mod 5478F, Satisfied by CM/CAN/0112/NEAF)	1	-	L/MR	CB1/15						R
EB8.47.600x3	LEVER, Throttle, Starboard Assembly (Mod 2916, Pre Mod 5478F)	1	-	L/MR	CB1/16						R
EB8.47.600x4	LEVER, Throttle, Starboard, Assembly (Mod 5478F, Satisfied by CM/CAN/0112/NEAF)	1	-	L/MR	CB1/17						R
-	Spares for:										
EB8.47.603	BRACKET, latch pin (Mod 2916)	2	S94	C	CB2/3						

CONTROLS  
ENGINE CONTROLS - FORWARD FUSELAGE

Part No.	Description	No. off	Material Specification	Class of Eqpt M.R. or L.M.	Plate
	Attachment of bracket to lever				
AS2920/7C	Bolt, csk. 2BA	4	-	C	CB2/4
AGS2002/C1	Nut, stiff, 2BA	4	-	C	CB2/5
SP15/C	Washer, 2BA	4	-	C	CB2/6
EB8.47.643	CAM, latch pin (Mod 2916)	2	S80	C	CB2/7
	Attachment of cam to latch pin				
SP29/E6	Pin, taper 1/16in. dia.	2	-	C	CB2/8
EB8.47.661	CONDUIT, cable c/w plates (Mod 2916)	2	-	C	CB2/9
	Attachment of conduit to lever				
AS2287/307	Rivet, 3/32in. dia.	4	-	C	CB2/10
EB8.47.607	HANDLE, latch pin (Mod 2916)	2	S94	C	CB2/11
	Attachment of handle to latch pin bracket				
EB8.47.663	Pin, attachment (Mod 2916)	2	S94	C	CB2/12
Hoffman					
CJ1	JOINT, self-aligning	2	-	C	CB2/13
EB8.47.511	KNOB, LH. half	2	-	C	CB2/14
EB8.47.513	KNOB, RH Half	2	-	C	CB2/15
	Attachment of knobs to lever				
EB8.47.519	Bush, locating	8	S1	C	CB2/16
A33/A16	Screw, csk. 6BA	2	-	C	CB2/17
A33/A24	Screw, csk. 6BA	6	-	C	CB2/18
EB8.47.623	PIN, latch (Mod 2916)	2	S80	C	CB2/19
EB8.47.605	SPRING, latch pin (Mod 2916)	2	DTD215	C	CB2/20
Dowty					
C.5162-Y	SWITCH, push Mk 2	2	-	L	CB2/21
EA1.47.297	PIN, throttle lever	1	L40	C	CB2/22
EA3.47.87	PLATE, reaction	1	-	C	CB2/23
EA3.47.101	PLATE, reaction	1	-	C	CB2/24
EA3.47.85	SHIM, reaction plate	QR	Lam. Alum	C	CB2/25
EB8.47.631	STOP, Throttle Port, Assembly	1	-	C/MR	CB1/18
EB8.47.615	STOP, Throttle, Starboard, Assembly (Mod 2916)	1	-	C/MR	CB1/19
	Spares for:				
EB8.47.613	STOP, throttle (Mod 2916)	1	S93	C	CB1/20
	Attachment of stop to bracket				
AS1242/2E	Bolt, csk. 1/4in. BSF	2	-	C	CB1/21
EB8.47.609	Washer, adjusting (Mod 2916)	1	S3	C	CB1/22
EB8.47.627	Washer, (Mod 2916)	1	S3	C	CB1/23

CONTROLS  
ENGINE CONTROLS - FORWARD FUSELAGE

Part No.	Description 1 2 3 4 5 6	No. off	Material Specification	Class of Eqpt. M.R. or L.M.	Plate	
Burgess Type 1A	SWITCH, micro (Mod 4826)	1	-	L	CB2/26	R
	Attachment of switch to throttle box					
A25/10B	Bolt, 4BA	2	-	C	CB2/27	
AGS2001/B1	Nut, 4BA	2	-	C	CB2/28	
SP15/B	Washer, 4BA	2	-	C	CB2/29	
EA3.47.81	WASHER, friction disc	2	Ferodo	C	CB2/30	
	Attachment of throttle box to console					
A25/2C	Bolt, 2BA	3	-	C	CB1/24	
AS1246/2C	Bolt, 2BA	10	-	C	CB1/25	
AGS2001/C1	Nut, 2BA	13	-	C	CB1/26	
EB8.47.363	BRACKET, grommet	2	L51	C/MR	CB1/27	
	Attachment of bracket to pressure bulkhead					
A25/2C	Bolt, 2BA	6	-	C	CB1/28	R
AGS2001/C1	Nut, 2BA	6	-	C	CB1/29	R
SP15/C	Washer	6	-	C	CB1/30	R
EB8.47.747/A	BRACKET, mounting, swivel assy between frames 7 and 8 (Mod 4998)	1	L72x16awg	LM	CB1/31	R
	Attachment of bracket to channel					
A25/2E	Bolt, 1/4in. BSF (Mod 4998)	2	-	C	CB1/32	
AGS2001/E1	Nut, 1/4in. BSF (Mod 4998)	2	-	C	CB1/33	
SP15/E	Washer (Mod 4998)	2	-	C	CB1/34	
EB8.47.757	BUSH, rubber	2	Neoprene	C	CB1/35	
Simonds Corsey SP15/7	CLIP, rigid frames 10 11 and 12 (Pre Mod 4998)	12	-	C	CB1/36	
Simonds Corsey SP15/7 or EB8.47.765	CLIP, rigid, frames 10 and 11 (Mod 4998)	4	-	C	CB1/37	
	CLIP, rigid, frames 10 and 11 (Mod 4998)	4	LFS 21 or 22	LM	CB1/38	
	Attachment of clip to frame bracket					
A25/8C	Bolt, 2BA	QR	-	C	CB1/39	R
AGS2001/C1	Nut, 2BA	QR	-	C	CB1/40	R
SP15/C	Washer	QR	-	C	CB1/41	R
Simonds Corsey SP15/10	CLIP, rigid, frame 8 (Pre Mod 4998)	4	-	C	CB1/42	
	Attachment of clip to frame					
A25/13E	Bolt, 1/4in. BSF (Pre Mod 4998)	8	-	C	CB1/43	R

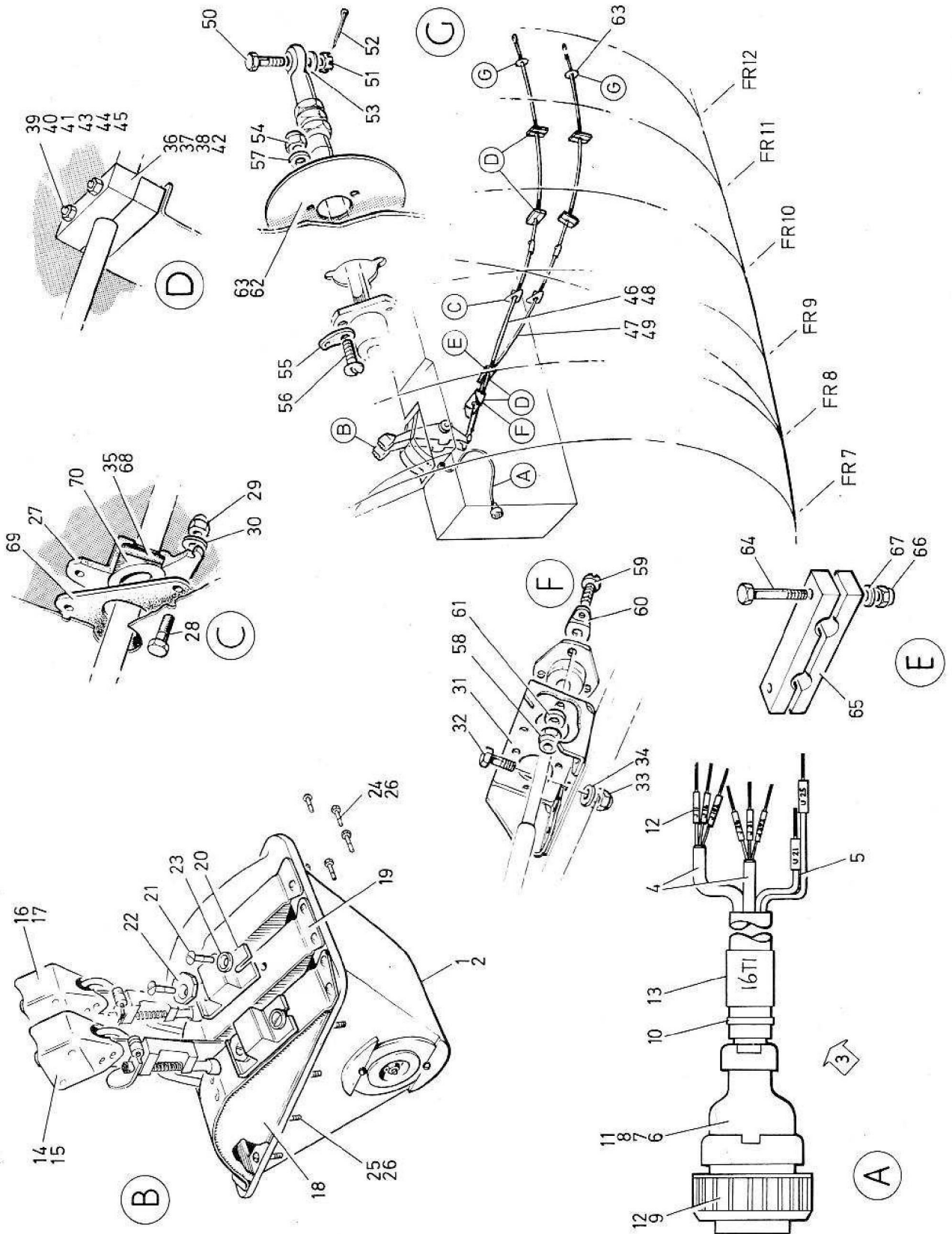
CONTROLS  
ENGINE CONTROLS - FORWARD FUSELAGE

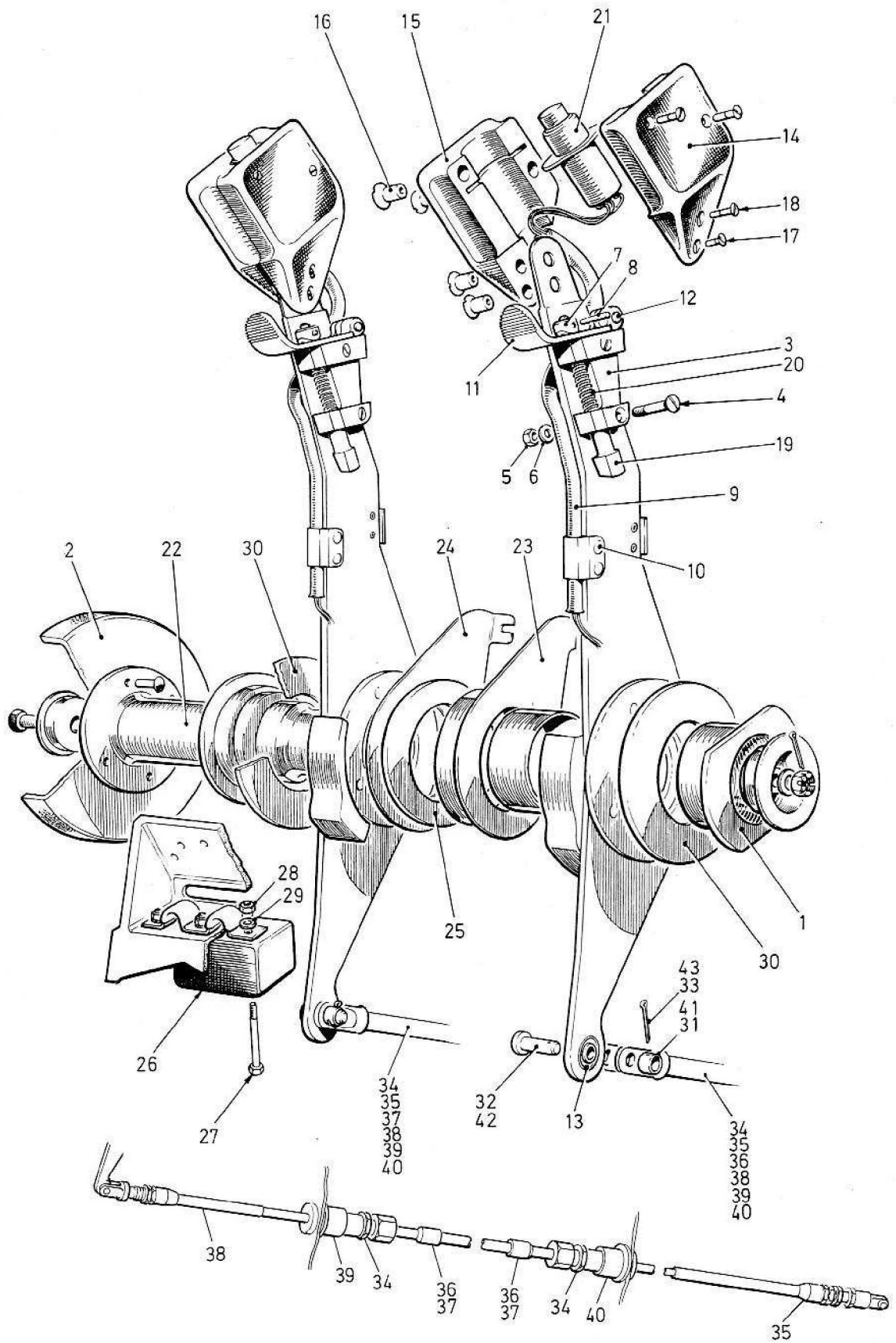
Part No.	Description 1 2 3 4 5 6	No. off	Material Specification	Class of Eqpt. M.R. or L.M.	Plate	
AGS2001/E1	Nut, 1/4in. BSF (Pre Mod 4998)	8	-	C	CB1/44	R
SP15/E	Washer (Pre Mod 4998)	8	-	C	CB1/45	R
EB8.47.281	CONTROL, throttle, port (Pre Mod 4998)	1	Simonds Corsey No 7	C	CB1/46	
EB8.47.283	CONTROL, throttle, starboard (Pre Mod 4998)	1	Simonds Corsey No 7	C	CB1/47	
	Attachment of throttle control					
AGS899/1	Collar (Pre Mod 4998)	2	-	C	CB2/31	R
SP4/Y/D9	Pin, shackle (Pre Mod 4998)	2	-	C	CB2/32	R
SP90/C5	Pin, split, 1/16in. dia (Pre Mod 4998)	2	-	C	CB2/33	R
Teleflex D179328	CONTROL, Throttle, Port (Mod 4998)	1	-	C	CB1/48	
Teleflex D179329	CONTROL, Throttle, Starboard (Mod 4998)	1	-	C	CB1/49	
	Spares for:					
Teleflex B79644	ADAPTOR (Mod 4998)	4	-	C	CB2/34	R
Teleflex C79764	BALL-JOINT, sliding, No 380 (Mod 4998)	2	-	C	CB2/35	R
Teleflex D179332	CABLE and conduit assembly, Port (Mod 4998)	1	-	C	CB2/36	R
Teleflex D179333	CABLE and conduit assembly Starboard (Mod 4998)	1	-	C	CB2/37	R
Teleflex C179330	FORK-END, sliding, No 380 (Mod 4998)	2	-	C	CB2/38	R
Teleflex C79775	SWIVEL, assembly, No. 2 (Mod 4998)	2	-	C	CB2/39	R
Teleflex C79779	SWIVEL, assembly, No 2 (Mod 4998)	2	-	C	CB2/40	R
	Attachment of throttle control to control rod					
A25/6C	Bolt, 2BA (Mod 4998)	2	-	C	CB1/50	R
A27/CS	Nut, slotted, 2BA (Mod 4998)	2	-	C	CB1/51	R
SP90/C5	Pin, split, 1/16in. dia (Mod 4998)	2	-	C	CB1/52	R
SP16/C	Washer (Mod 4998)	2	-	C	CB1/53	R
	Attachment of throttle control at FR 12					
AGS2001/B1	Nut, 4BA (Mod 4998)	6	-	C	CB1/54	R
A32/B16	Screw, 4BA (Mod 4998)	6	-	C	CB1/55	R
AS4561/1	Tab, locking (Mod 4998)	2	-	C	CB1/56	R
SP15/B	Washer (Mod 4998)	6	-	C	CB1/57	R

CONTROLS  
ENGINE CONTROLS - FORWARD FUSELAGE

Part No.	Description 1 2 3 4 5 6	No. off	Material Specification	Class of Eqpt M.R. or L.M.	Plate
	Attachment of throttle control between frames 7 and 8				
AGS2001/B1	Nut, 4BA (Mod 4998)	6	-	C	CB1/58
A32/B16	Screw, 4BA (Mod 4998)	6	-	C	CB1/59
AS4561/1	Tab, locking (Mod 4998)	2	-	C	CB1/60
SP15/B	Washer (Mod 4998)	6	-	C	CB1/61
	Attachment of throttle control at throttle box				
SP121/E	Collar (Mod 4998)	2	-	C	CB2/41
SP113/E4 1/2	Pin, shear (Mod 4998)	2	-	C	CB2/42
SP90/C5	Pin, split 1/16in. dia (Mod 4998)	2	-	C	CB2/43
EB8.47.747/B	DOUBLER, frame 12 (Mod 4998)	1	L72x18swg	LM	CB1/62
EB8.47.747/C	DOUBLER, frame 12 (Mod 4998)	1	L72x18swg	LM	CB1/63
EB8.47.763	FAIRLEAD Assy (Mod 4998)	1	-	-	-
	Spares for:				
A25/7C	BOLT, 2BA (Mod 4998)	2	-	C	CB1/64
EB8.47.763/A	CLAMP, half (Mod 4998)	2	LFS21 or 22	C	CB1/65
AGS2001/C1	NUT, 2BA (Mod 4998)	2	-	C	CB1/66
SP15/C	WASHER (Mod 4998)	2	-	C	CB1/67
Z11809	GROMMET (Pre Mod 4998)	2	-	C	CB1/68
EB8.47.367	SEAL, rubber, under grommet bracket	2	Shore Hdness 30	C	CB1/69
EB8.47.365	SLEEVE, grommet	2	-	C	CB1/70

R





This file was downloaded  
from the RTFM Library.

Link: [www.scottbouch.com/rtfm](http://www.scottbouch.com/rtfm)

Please see site for usage terms,  
and more aircraft documents.

