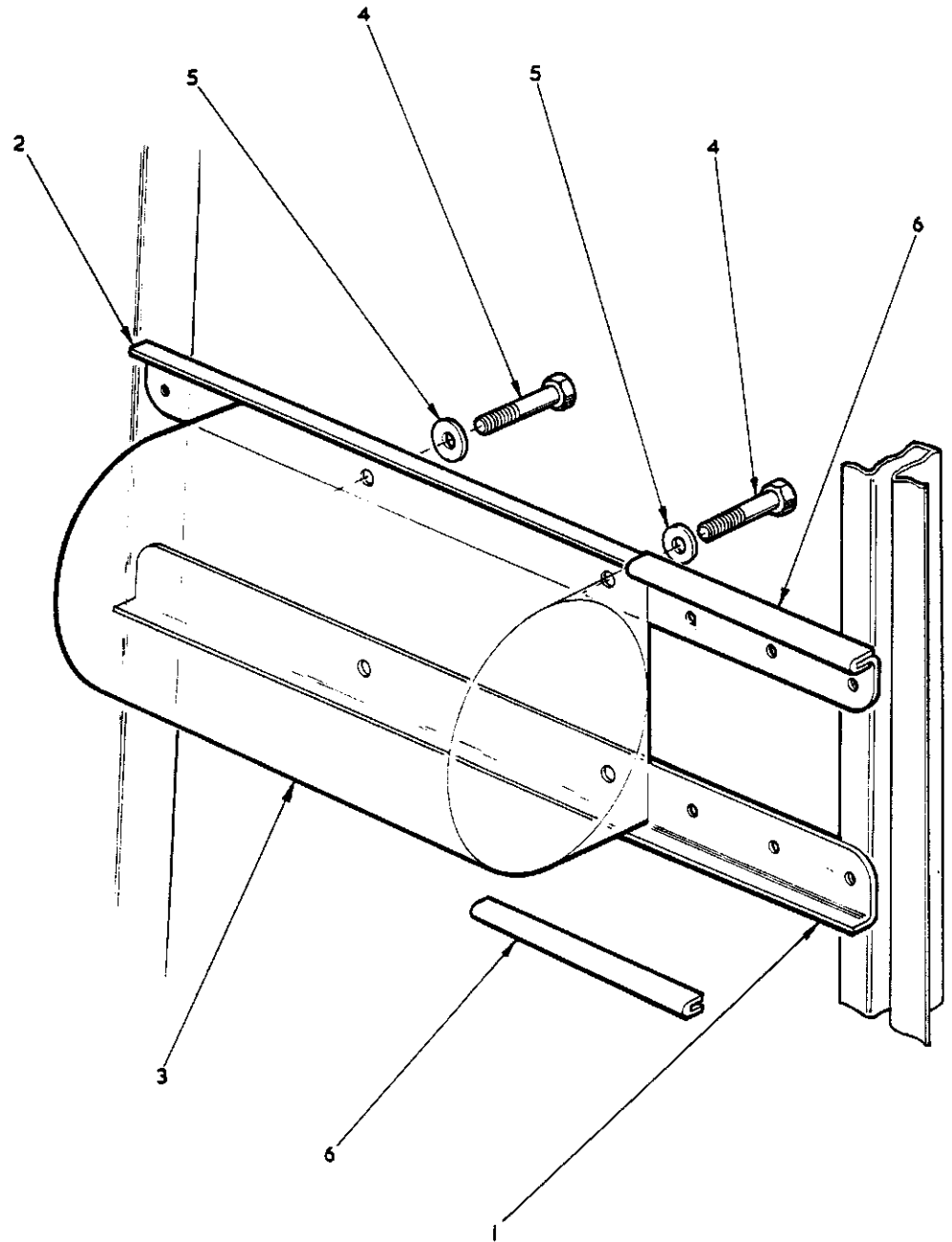
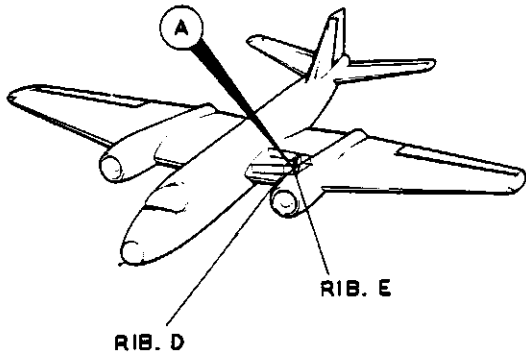


## GENERAL ASSEMBLY OF AIRCRAFT

Part Number	Description	No. Off	Matl. Spec.	Plate No.
EG4.00.501	GENERAL ASSEMBLY OF AIRCRAFT Consisting of:—	—	—	
EB6.00.25	. ATTACHMENTS, CENTRE FUSELAGE TO REAR FUSELAGE (See page N.1)	—	—	
EA1.00.23	. ATTACHMENTS, FRONT FUSELAGE TO CENTRE FUSELAGE (See page N.1)	—	—	
EA1.00.81	. ATTACHMENTS, JETTISON TANK TO WING, PORT (See page UA.1)	—	—	
EA1.00.82	. ATTACHMENTS, JETTISON TANK TO WING, STARBOARD (See page UA.1)	—	—	
EB6.00.21	. ATTACHMENTS, WING TO FUSELAGE, PORT (MOD 1018) (See page N.3)	—	—	
EB6.00.22	. ATTACHMENTS, WING TO FUSELAGE, STARBOARD (MOD 1018) (See page N.3)	—	—	
R EA3.00.5807	. BONDING OF PIPELINES USING WOVEN WIRE MESH Spares for:—	—	—	
R 30B9611377	. . GAUZE, woven wire, tinned copper (40 mesh - 34 SWG) (SAS 4773)	QR	BS4109	
EG4.75.401	. CABIN, PRESSURE SYSTEM (See Chapter SB)	—	—	
EG4.47.101	. CONTROLS, ENGINE (See Chapter C)	—	—	
EG4.45.101	. CONTROLS, FLYING (See Chapter D)	—	—	
EA1.20.10733	. DOOR, UNDERCARRIAGE, PORT (See Chapter LC)	—	—	
EA1.20.10734	. DOOR, UNDERCARRIAGE, STARBOARD (See Chapter LC)	—	—	
EA6.00.13	. ENGINE, RA7, INSTALLATION, PORT (See Chapter PE)	—	—	
EA6.00.14	. ENGINE, RA7, INSTALLATION, STARBOARD (See Chapter PF)	—	—	
EG4.81.2803	. EQUIPMENT, ELECTRICAL (See Chapter E)	—	—	
EA1.88.2	. EQUIPMENT, GROUND (See Chapter FA)	—	—	
EG4.82.1001	. EQUIPMENT, RADIO (See Chapter R)	—	—	
EG4.80.7	. FIRE PROTECTION SYSTEM (See Chapter SF)	—	—	
EG4.00.507	. FUSELAGE, CENTRE, GENERAL ASSEMBLY (See Chapter KA)	—	—	
EG4.00.505	. FUSELAGE, FRONT, GENERAL ASSEMBLY (See Chapter KB)	—	—	
EG4.00.509	. FUSELAGE, REAR, AND TAIL UNIT, GENERAL ASSEMBLY (See Chapter KC)	—	—	
EB6.57.129	. FUEL SYSTEM (See Chapter SG)	—	—	
EG4.73.101	. HYDRAULIC SYSTEM (See Chapter SH)	—	—	
—	. MOUNTING, SONAR LOCATOR BEACON (EA3.82.8103) (Mod 5441) Spares for:—	—	—	
EA3.82.8106	. . ANGLE, mounting	1	—	A1/1
EA3.82.8107	. . ANGLE, mounting	1	—	A1/2
8.201.00.001	. . BEACON, sonar locator, type 17638 Attaching parts for beacon:—	1	—	A1/3
LN29943K-06003	. . Bolt, 6 mm dia	4	—	A1/4
SP124/E	. . Washer	4	—	A1/5
EE11/2	. . EXTRUSION (Make from 32C/6216635) Attaching parts for EE11/2:—	2	—	A1/6
EC1099	. . Adhesive	QR	—	
EG4.75.425	. SUIT, AIR VENTILATED, INSTALLATION (See pages SB.31 to SB.36)	—	—	
EA3.62.175	. TANK, JETTISON, PORT, ASSEMBLY (See Chapter UA)	—	—	
EA3.62.176	. TANK, JETTISON, STARBOARD, ASSEMBLY (See Chapter UA)	—	—	
EG4.00.511	. WING, GENERAL ASSEMBLY, PORT (See Chapter L)	—	—	
EG4.00.512	. WING, GENERAL ASSEMBLY, STARBOARD (See Chapter L)	—	—	



DETAIL A

FIG.1 SONAR LOCATOR BEACON

This file was downloaded  
from the RTFM Library.

Link: [www.scottbouch.com/rtfm](http://www.scottbouch.com/rtfm)

Please see site for usage terms,  
and more aircraft documents.

