

CONTROLS  
ENGINE CONTROLS IN WING STARBOARD

Part Number	Description	No. Off	Matl. Spec.	Plate No.
R EB6.47.295	CONTROLS, ENGINE IN WING STARBOARD ASSEMBLY	-	-	
	Spares for:-			
EB7.47.41	. LEVER, CONTROL, CONNECTING ENGINE CONTROLS, ASSEMBLY (PRE MOD 5028)	1	-	CD1/1
EB7.47.103	. LEVER, CONTROL, CONNECTING ENGINE CONTROLS, ASSEMBLY (MOD 5028)	1	-	
	Spares for:-			
SKEFCO EE4	. . BEARING, ballrace	1	-	CD1/1A
SKEFCO EE5	. . BEARING, ballrace	1	-	CD1/1B
HOFFMAN				
CJO	. . BEARING, spherical	2	-	CD1/2
EA1.47.61	. . COVER, bearing	1	L64	CD1/2A
EA1.47.57	. . CUP, lever mounting	1	L64	CD1/2B
EA1.47.63	. . CUP, lever mounting	1	L64	CD1/2C
EB7.47.39	. . LEVER, control (Pre Mod 5028)	1	DTD687	CD1/3
EB7.47.107	. . LEVER, control (Mod 5028)	1	-	
EA9.47.123	. . LEVER, control (Pre Mod 5028)	1	DTD687	CD1/4
EB7.47.105	. . LEVER, control (Mod 5028)	1	-	
A27ES	. . NUT, 1-4" BSF	1	-	CD1/4A
SP90C7	. . PIN, split, 1-16" BSF	1	-	CD1/4B
EA1.47.55	. . PLATE, bearing cover	1	L64	CD1/4C
EA1.47.59	. . SLEEVE, spacing	1	L64	CD1/5
EA1.47.53	. . SPINDLE, control	1	L40	CD1/6
EA1.47.65	. . WASHER, clamping	1	L64	CD1/7
	Attaching parts for EB7.47.41:-			
SP90G14	. Pin, split, 3-32" dia	1	-	CD1/7A
EA1.47.18	. LEVER, control, connecting engine controls assembly (Pre Mod 5028)	1	-	CD1/8
EA3.47.177	. LEVER, control, connecting engine controls, assembly (Mod 5028)	1	-	
	Attaching parts for EA1.47.18 or EA3.47.177:-			
A25-6C	. Bolt, 2BA	2	-	CD1/8A
A25-4E	. Bolt, 1-4" BSF	1	-	CD1/8B
A25-3E	. Bolt, 1-4" BSF	1	-	CD1/8C
EEAS63	. Nut, special	2	-	CD1/9
A27ES	. Nut, 1-4" BSF	2	S11	CD1/9A
SP90C7	. Pin, split, 1-6" dia	4	-	CD1/9B
SP15C	. Washer	2	-	CD1/9C
SP15E	. Washer	2	-	CD1/9D
EA9.47.82	. LEVER, CONTROL, CONNECTING ENGINE CONTROLS, ASSEMBLY (PRE MOD 5028)	1	-	CD1/10
EB7.47.116	. LEVER, CONTROL, CONNECTING ENGINE CONTROLS, ASSEMBLY (MOD 5028)	1	-	
	Spares for:-			
EA9.47.103	. . BOLT' SPECIAL	1	DTD683	CD1/11
EA9.47.98	. . BRACKET, mounting	1	DTD300	CD1/12
EA9.47.107	. . BUSH tapped	1	S1	CD1/13
EA9.47.100	. . LEVER CONTROL, ASSEMBLY (PRE MOD 5028)	1	-	CD1/14
EB7.47.110	. . LEVER CONTROL, ASSEMBLY (MOD 5028)	1	-	CD1/14
	Spares for:-			
SKEFCO EE5	. . . BEARING, ballrace	2	-	CD1/15
HOFFMAN				
CJO	. . . BEARING, spherical	2	-	CD1/16
AGS2030-23	. . . CIRCLIP, internal	1	-	CD1/16A
EA9.47.112	. . . HOUSING	1	S1	CD1/16B

## CONTROLS

## ENGINE CONTROLS IN WING STARBOARD

Part Number	Description	No. Off	Mtl. Spec.	Plate No.
EA9.47.114	. . . LEVER (Pre-Mod 5028)	1	DTD124	CD1/16C
EB7.47.112	. . . LEVER (Mod 5028)	1	S514	
EA9.47.116	. . . LEVER (Pre-Mod 5028)	1	DTD124	CD1/16D
EB7.47.114	. . . LEVER (Mod 5028)	1	S514	
SP21	. . . NIPPLE, lubrication	1	-	CD1/16E
EA9.47.121	. . . PIECE, distance	1	-	CD1/17A
AS1903E12	. . . WASHER, saddle	1	-	CD1/17A
EA9.47.102	. . . LEVER, CONTROL, ASSEMBLY (PRE-MOD 5028)	1	-	CD1/18
EB7.47.118	. . . LEVER, CONTROL, ASSEMBLY (MOD 5028)	1	-	
	Spares for:-			
SKEFCO EE.5	. . . BEARING, ballrace	2	-	CD1/19
HOFFMAN				
CJO	. . . BEARING, spherical	2	-	CD1/20
AGS2030/23	. . . CIRCLIP, internal	1	-	CD1/20A
EA9.47.112	. . . HOUSING, bearing	1	S1	CD1/20A
EA9.47.118	. . . LEVER (Pre-Mod 5028)	1	DTD124	CD1/20C
EB7.47.120	. . . LEVER (Mod 5028)	1	S514	
EA9.47.120	. . . LEVER (Pre-Mod 5028)	1	DTD124	CD1/20D
EB7.47.100	. . . LEVER (Mod 5028)	1	S514	
SP21	. . . NIPPLE lubrication	1	-	CD1/20E
EA9.47.121	. . . PIECE, distance	1	DTD683	CD1/21
AS1903E12	. . . WASHER, saddle	1	-	CD1/21A
EA9.47.109	. . . PIECE Distance	1	-	CD1/21D
	Attaching parts for EA9.47.82 or EB7.47.116:-			
A25/4C	. Bolt, 2BA	4	-	CD1/21B
AGS2001C1/66	. Nut, 2BA	4	-	CD1/21C
EA9.47.169	. Washer, packing	4	-	CD1/22
EB7.47.31	. TUBE, CONTROL, FROM FUSELAGE TO CONTROL LEVER ASSEMBLY AT RIB 2 ASSEMBLY (PRE-MOD 2619)	2	-	
EB7.47.83	. TUBE, CONTROL, FROM FUSELAGE TO CONTROL LEVER ASSEMBLY AT RIB 2 ASSEMBLY (MOD 2619)	2	-	CD1/23
	Spares for:-			
EA3.47.53	. . FORK-END, adjustable	1	-	CD1/24
A27JT	. . NUT, 3/8" BSF, locking	1	-	CD1/24A
EEAS234	. . PLUG, end	1	-	CD1/25
EB7.47.37	. TUBE, CONTROL, FROM CONTROL LEVER ASSEMBLY AT RIB 2 TO INTERMEDIATE CONTROL LEVER ASSEMBLY (PRE-MOD 5028)	2	-	CD1/28
EB7.47.89	. TUBE, CONTROL FROM CONTROL LEVER ASSEMBLY AT RIB 2 TO INTERMEDIATE CONTROL LEVER ASSEMBLY (MOD 5028)	2	-	
	Spares for:-			
EA3.47.49	. . FORK-END, adjustable	1	-	CD1/29
A27ET	. . NUT, lock 1/4" BSF	1	-	CD1/29A
	Attaching parts for EB7.47.37 or EB7.47.89 and EB7.47.31 or EB7.47.83:-			
EEAS12/1	. Bolt, special	1	-	CD1/30
EEAS63	. Nut, special	1	-	CD1/32
SP90C7	. Pin, split, 1/8" dia	1	-	CD1/32A
EEAS28/3DU	. Washer	1	-	CD1/33
EA9.47.93	. TUBE, control, intermediate control lever to engine control	1	-	CD1/26
EA9.47.95	. TUBE, control, intermediate control lever to engine control	1	-	CD1/27
	Attaching parts for EA9.47.93 and EA9.47.95:-			
EEAS12/1	. Bolt, special	QR	S11	CD1/30
EA9.47.173	. Bolt, special	QR	-	CD1/31
EEAS63	. Nut, special	2	S11	CD1/32
SP90C7	. Pin, split	2	-	CD1/32A
SP15C	. Washer	2	-	CD1/32B
EEAS28/3DU	. Washer	2	-	CD1/33

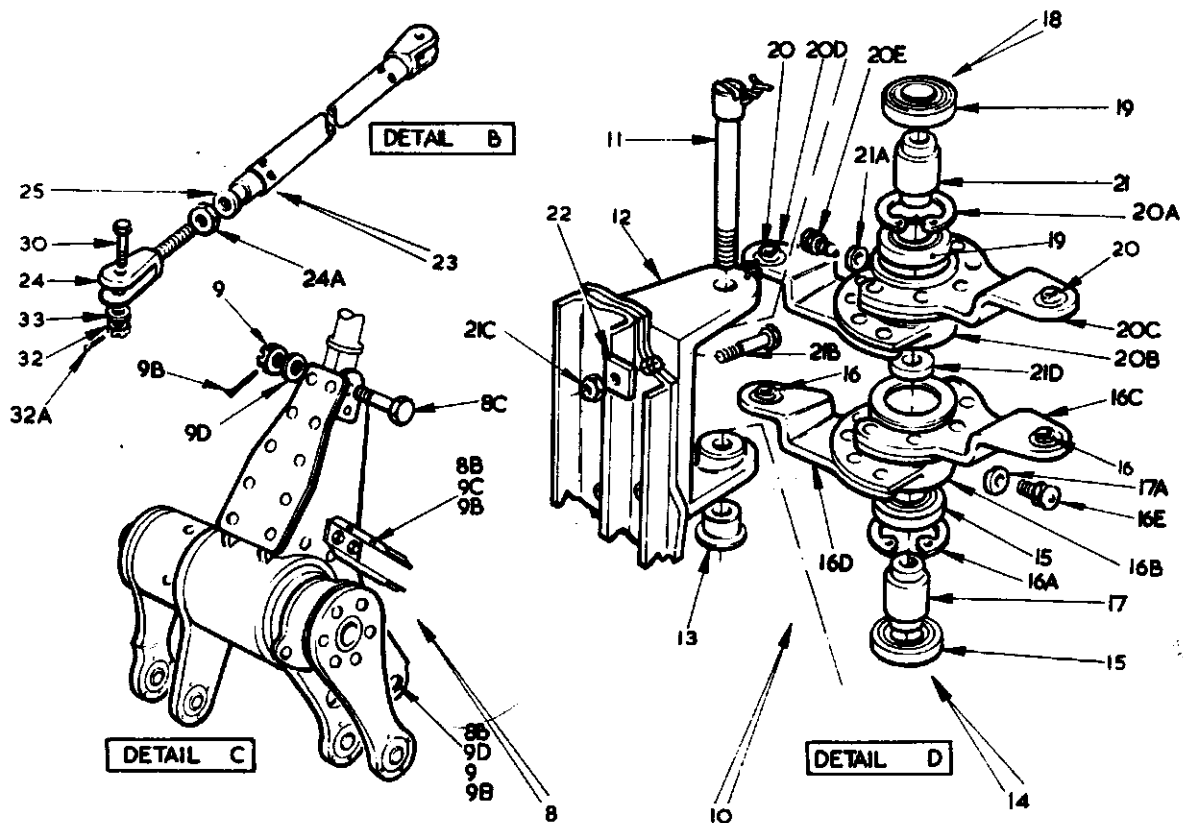
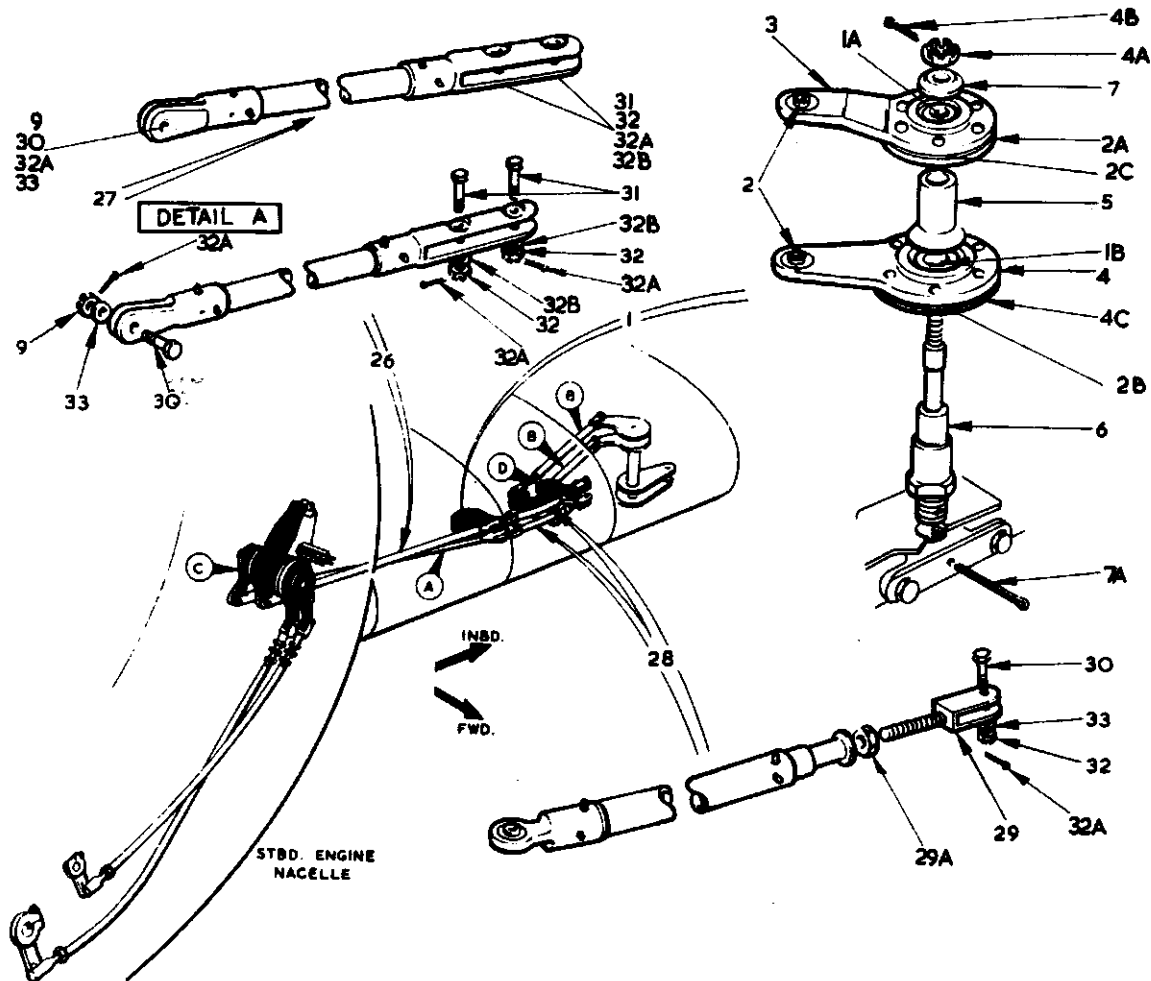


FIG. ENGINE CONTROLS IN STBD MAINPLANE

This file was downloaded  
from the RTFM Library.

Link: [www.scottbouch.com/rtfm](http://www.scottbouch.com/rtfm)

Please see site for usage terms,  
and more aircraft documents.

