

## RADIO

## A.R.I.23021, A.D.F., INSTALLATION

Part Number	Description	No. Off	Matl. Spec.	Plate No.
EG4.82.1043	A.R.I. 23021, A.D.F., INSTALLATION (SRIM.3533) (MOD 4799) Spares for:—	—	—	RC1/1
R TYPE 11250	. CONNECTOR, DN.375, pressure bulkhead to aerial loop	1	—	RC1/2
R TYPE 11255	. CONNECTOR, PF.375, pressure bulkhead to aerial loop	1	—	RC1/3
R 10HB/3103	. CONNECTOR, DM/A/391, aerial loop to junction box, type 1629	1	—	RC1/4
R 10HB/3113	. CONNECTOR, DW.391, pressure bulkhead to receiver	1	—	RC1/5
R TYPE 11252	. CONNECTOR, GR/A/375, junction box type 1629, to sense aerial amplifier	1	—	RC1/6
R 10HB/3102	. CONNECTOR, DM.391, junction box type 1629 to receiver	1	—	RC1/7
R 10HB/3120	. CONNECTOR, DT.391, voltage regulator to receiver	1	—	RC1/8
R 10HB/3117	. CONNECTOR, DU.391, pressure bulkhead to receiver	1	—	RC1/9
R EB6.82.1339	. CONNECTOR, DS.650, pressure bulkhead to receiver	1	—	RC1/10
R TYPE 11253	. CONNECTOR, DJ/A/375, sense aerial amplifier to receiver	1	—	RC1/11
R TYPE 11201	. CONNECTOR, DK.373, aerial loop to receiver	1	—	RC1/12
R TYPE 11204	. CONNECTOR, GT.373, sense aerial to sense aerial amplifier	1	—	RC1/13
R EB6.82.1007	. CONNECTOR, EX.649, radio junction box to pressure bulkhead	1	—	RC1/14
SCA78015/130	. CONNECTOR, DN.649, loop controller to pressure bulkhead (SRIM.3533) (Mod 4799)	1	—	RC1/15
R EB6.82.1011	. CONNECTOR, DS.649, radio junction box to pressure bulkhead	1	—	RC1/16
SCA78015/131	. CONNECTOR, DW.649, receiver controller to pressure bulkhead (SRIM.3533) (Mod 4799)	1	—	RC1/17
R EB6.82.1015	. CONNECTOR, PF.649, radio junction box to pressure bulkhead	1	—	RC1/18
R EB6.82.1017	. CONNECTOR, PN.649, indicator to radio junction box	1	—	RC1/19
R EB6.82.1019	. CONNECTOR, PP.649, indicator to radio junction box	1	—	RC1/20
EB6.82.1141	. CONNECTOR, DU.649, power factor transformer to pressure bulkhead	1	—	RC1/21
R EG4.82.117	. CONNECTOR, FQ.649, 400 cycle fuse box to power factor transformer	1	—	RC1/22
R 10HB/10399	. CONNECTOR, EX.662, pressure bulkhead to voltage regulator	1	—	RC1/23
EG4.82.83	. EQUIPMENT, A.D.F. IN CENTRE FUSELAGE, INSTALLATION Spares for:—	—	—	RC1/24
R W33767	. . . AERIAL, SENSE, 8071 (Alternative to EA3.82.427)	1	—	RC1/25
R EA3.82.427	. . . AERIAL, SENSE, ASSEMBLY (Alternative to W33767) Consisting of:—	1	—	RC1/26
EA3.82.437	. . . BUSH	1	—	RC1/27
EA3.82.435	. . . CONDUCTOR	1	BS249	RC1/28
EA3.82.439	. . . DISC, insulating	1	BS2572 or BS2966	RC1/29
A14EB	. . . NUT, 1/4" BSF	4	—	RC1/30
EA3.82.431	. . . PILLAR, centre	1	BS2572 or BS2966	RC1/31

## RADIO

## A.R.I.23021, A.D.F., INSTALLATION

Part Number	Description	No. Off	Mati. Spec.	Plate No.
EA3.82.429	. . . PILLAR, end	2	LFS	RC1/32
EA3.82.433	. . . ROD, antenna, $\frac{3}{8}$ " o/d x 17 SWG	1	L72	RC1/33
A45B24	. . . SCREW, 4BA	1	-	RC1/34
SP22C	. . . WASHER	2	-	RC1/35
A33C28	Attaching parts for EA3.82.427:- . . Screw, 2BA	18	-	RC1/36
R TYPE 1628	. . AMPLIFIER, sense aerial, Type 1628	-	-	RC1/37
EG4.82.1105	. EQUIPMENT, A.D.F. IN FRONT FUSELAGE, INSTALLATION Spares for:-	-	-	RC1/38
R W25140	. . AERIAL-LOOP, Type 1324A	1	-	RC1/39
R 10D4630190	. . BOX, junction, Type 1629	1	-	RC1/40
EA3.82.5605	. . BRACKET, assembly, voltage regulator	1	-	RC1/41
EA3.82.5607	. . BRACKET, assembly, voltage regulator	1	-	RC1/42
R 1342	. . CONTROLLER, loop, Type 1342	1	-	RC1/43
R W25142	. . CONTROLLER, receiver, Type 1274	1	-	RC1/44
R TYPE 1630	. . INDICATOR, bearing, Type 1630, pilot's (NHA-EG4.80.1183)	RF	-	RC1/45
R TYPE 1630	. . INDICATOR, bearing, Type 1630, navigator's (NHA-EG4.80.891)	RF	-	RC1/46
W25385	. . REGULATOR, voltage, Type 1555A	1	-	RC1/47
R W26424	. . TRANSFORMER, power-factor, Type 1571	1	-	RC1/48
EG4.82.85	. EQUIPMENT, A.D.F. IN STARBOARD WING, INSTALLATION Spares for:-	-	-	RC1/49
R RD9-2833	. . RACK, assembly, Type 182	1	-	RC1/50
R AD7092D	. . RECEIVER, AD70920	1	-	RC1/51
R 10K4681990	. . TRANSFORMER, aerial, Type 1343/A	1	-	RC1/52
R W2396B	. . TRAY, receiver mounting	1	-	RC1/53

## RADIO

## EQUIPMENT AND WIRING RADIO RELAY BOX

Ref. No.	Part No.	Description	No. off	Matl. Spec.	Cl. of Equip M.R. L.M.	Plate No.
	EG4.82.1087	EQUIPMENT AND WIRING, RADIO RELAY BOX (SRIM.3533) (MOD 4799) Spares for:—	—	—	—	RC2/1
5X/1002695	CZ23212/1	. BLOCK, terminal, 20-way Attaching parts for CZ23212/1:—	4	—	C	RC2/2
28D/1214867	AS1246/5B	. Bolt, 4BA	2	—	C	RC2/3
29C/1206041	AGS2035B	. Washer, shakeproof	2	—	C	RC2/4
33626	EB6.82.1023	. BUS-BAR, ASSEMBLY Consisting of:—	1	—	B	RC2/5
	EB6.82.1029	. . . BUS-BAR	1	—	—	RC2/6
28M/4702597	A14CB	. . . NUT, 2BA	3	—	C	RC2/7
28S/9464989	A43C28	. . . SCREW, 2BA	3	—	C	RC2/8
28W/9419475	SP15C	. . . WASHER	3	—	C	RC2/9
	AGS2002C4	Attaching parts for EB6.82.1023:—				
28M/1990760	A33C10	. Nut, 2BA	2	—	C	RC2/10
28S/1008081	AGS2036C	. Screw, 2BA	2	—	C	RC2/11
29C/1013428	SP15C	. Washer, shakeproof	2	—	C	RC2/12
28W/9419475	SP15C	. Washer	2	—	C	RC2/13
33627	EB6.82.1025	. BUS-BAR, ASSEMBLY Consisting of:—	1	—	B	RC2/14
28D/1011030	A25/2E	. . . BOLT, 1/4" BSF	1	—	C	RC2/15
	EB6.82.1029	. . . BUS-BAR	1	—	—	RC2/16
28M/1007403	A27ET	. . . NUT, 1/4" BSF	1	—	C	RC2/17
28M/4702597	A14CB	. . . NUT, 2BA	4	—	C	RC2/18
28S/9464989	A43C28	. . . SCREW, 2BA	4	—	C	RC2/19
28W/9419475	SP15C	. . . WASHER	4	—	C	RC2/20
28W/9419487	SP16E	. . . WASHER	1	—	C	RC2/21
	AGS2002C4	Attaching parts for EB6.82.1025:—				
28M/1990760	A33C10	. Nut, 2BA	2	—	C	RC2/22
28S/1008081	AGS2036C	. Screw, 2BA	2	—	C	RC2/23
29C/1013428	SP15C	. Washer, shakeproof	2	—	C	RC2/24
28W/9419475	SP15C	. Washer	2	—	C	RC2/25
33628	EB6.82.1027	. BUS-BAR, ASSEMBLY Consisting of:—	1	—	B	RC2/26
28D/1011030	A25/2E	. . . BOLT, 1/4" BSF	1	—	C	RC2/27
	EB6.82.1029	. . . BUS-BAR	1	—	—	RC2/28
28M/1007403	A27ET	. . . NUT, 1/4" BSF	1	—	C	RC2/29
28M/4702597	A14CB	. . . NUT, 2BA	3	—	C	RC2/30
28S/9464989	A43C28	. . . SCREW	3	—	C	RC2/31
28W/9419475	SP15C	. . . WASHER	3	—	C	RC3/32
28W/9419487	SP16E	. . . WASHER	1	—	C	RC2/33
	AGS2002C4	Attaching parts for EB6.82.1027:—				
28M/1990760	A33C10	. Nut, 2BA	2	—	C	RC2/34
28S/1008081	AGS2036C	. Screw, 2BA	2	—	C	RC2/35
29C/1013428	SP15C	. Washer, shakeproof	2	—	C	RC2/36
28W/9419475	SP15C	. Washer	2	—	C	RC2/37
5X/4500037	AS2722	. INSULATOR, bus-bar Attaching parts for AS2722:—	6	—	C	RC2/38
28D/1214865	AS1246/2B	. Bolt, 4BA	2	—	C	RC2/39

## RADIO

## EQUIPMENT AND WIRING RADIO RELAY BOX

Ref. No.	Part No.	Description 1 2 3 4 5 6	No. off	Matl. Spec.	Cl. of Equip	Plate No.
					M.R. L.M.	
5X/1004088	Z50219	. LINK, commoning, transverse	2	—	C	RC2/40
5X/1004082	Z50210	. LINK, commoning, 2-way	8	—	C	RC2/41
5X/1012212	Z50218	. LINK, commoning, 10-way	2	—	C	RC2/42
	†	. RELAY AND MOUNTING, INSTALLATION (SRIM.3533) (MOD 4799)	—	—	—	RC2/43
	SCC79487/2	. . BLOCK, packing, 10 SWG	2	L72	—	RC2/44
	SCA79513	. . PLATE, relay, 18 SWG	1	L72	—	RC2/45
	SCB79488	. . PLATE, relay mounting, 18 SWG Attaching parts for SCB79488:—	1	L72	—	RC2/46
28D/9133012	A25/3C	. . Bolt, 2BA	2	—	C	RC2/47
	SM-5M-N156	. . RELAY, Type 4C	1	—	—	RC2/48
33420	EB7.81.347	. SUPPORT, terminal block Attaching parts for EB7.81.347:—	6	—	C	RC2/49
28D/1214867	AS1246/5B	. Bolt, 4BA	2	—	C	RC2/50
	†	. TERMINAL, EARTH, ASSEMBLY Consisting of:—	—	—	—	RC2/51
28M/1006473	A27CT	. . NUT, 2BA	1	—	C	RC2/52
28M/1012015	AGS2001C1/66	. . NUT, 2BA	1	—	C	RC2/53
28S/1011481	A31C48	. . SCREW, 2BA	1	—	C	RC2/54
17519	EEAS28/4DPH	. . WASHER	1	—	C	RC2/55



## RADIO

## A.R.I. 18011, I.L.S., INSTALLATION

Part Number	Description	No. Off	Mati. Spec.	Plate No.
EA4.82.535	. CONNECTOR, D273/30A/R2, inner wing rib 6 break to outer wing rib 2 break, starboard	1	-	RC3/41
EA4.82.537	. CONNECTOR, D267/30A/R11, outer wing rib 2 break to glide path aerial, starboard	1	-	RC3/42
EA4.82.539	. CONNECTOR, D267/30B/R18, localiser-marker receiver to marker aerial	1	-	RC3/36
EA4.82.541	. CONNECTOR, D243/20D/R2, pressure bulkhead to junction box 157	1	-	RC3/28
EA4.82.545	. CONNECTOR, D243/30B/R6, pressure bulkhead to junction box 157	1	-	RC3/30
EB6.82.955	. CONNECTOR, I.L.S. 1, pressure bulkhead to junction box 157	1	-	RC3/13
EB6.82.957	. CONNECTOR, I.L.S. 2, radio junction box to pressure bulkhead	1	-	RC3/18
EB6.82.1047	. CONNECTOR, I.L.S. 3, control unit to pressure bulkhead	1	-	RC3/19
EB6.82.1055	. CONNECTOR, I.L.S. 7, control unit to pressure bulkhead	1	-	RC3/20
EB6.82.1057	. CONNECTOR, I.L.S. 8, control unit to pressure bulkhead	1	-	RC3/22
EG4.82.1113	. EQUIPMENT IN UPPER EQUIPMENT BAY, INSTALLATION (SRIM.3533) (MOD 4799) Spares for :-	-	-	RC3/29
AS2635	. . BLOCK, terminal 5-way Attaching parts for AS2635 :-	1	-	RC3/31
A31816	. . Screw, 4BA	2	-	RC3/32
SP13B	. . Washer	2	-	RC3/33
AS2603	. . COVER, terminal block	1	-	RC3/43
AS2666	. . LINK, commoning	1	-	RC3/44
AS2606	. . TERMINAL, screwed head, double tier	5	-	RC3/45
AS2674	. FERRULE	8	-	RC3/46
10Q4049193	. INDICATOR, azimuth deviation on pilot's flying panel (NHA-EG4.80.1183)	RF	-	
EA4.82.289	. INSTALLATION OF ENGINE BREAK, INNER, PORT Spares for :-	-	-	RC3/50
EA9.82.171	. . BRACKET, assembly Attaching parts for EA9.82.171 :-	1	-	RC3/51
A25/1B	. . Bolt, 4BA	4	-	RC3/52
AGS2001B1	. . Nut, 4BA	4	-	RC3/53
SP15B	. . Washer	4	-	RC3/54
10H0540103	. . PLUG, bulkhead, Type 757	1	-	RC3/55

## RADIO

## A.R.I. 18011, I.L.S., INSTALLATION

Part Number	Description	No. Off	Matl. Spec.	Plate No.
EA4.82.287	. INSTALLATION OF ENGINE BREAK, OUTER, PORT Spares for this installation are identical with those for Part No. EA4.82.289, on Page RC.6	-	-	RC3/47
R EA4.82.290	. INSTALLATION OF ENGINE BREAK, INNER, STARBOARD Spares for this installation are identical with those for Part No. EA4.82.289, on Page RC.6	-	-	RC3/48
R EA4.82.288	. INSTALLATION OF ENGINE BREAK, OUTER, STARBOARD Spares for this installation are identical with those for Part No. EA4.82.289, on Page RC.6	-	-	RC3/49
EG4.82.1117	. RECEIVERS AND JUNCTION BOX, UPPER EQUIPMENT BAY, INSTALLATION (SRIM.3533) (MOD 4799) Spares for :-	-	-	RC3/54
Type 157	. . BOX, junction, Type 157	1	-	RC3/59
Type 933	. . RACK, mounting, Type 933 Attaching parts for Type 933 :-	1	-	RC3/60
A25/8E	. . Bolt, 1/4" BSF	4	-	
SP13E	. . Washer	4	-	
Type R 1964	. . RECEIVER, (Alternative fit to item below when 40 channel pairing required)	1	-	
R1964	. . RECEIVER, Type R1964 (Localiser marker)	1	-	RC3/57
Type R 1965	. . RECEIVER, (Alternative fit to item below when 40 channel pairing required)	1	-	
R1965	. . RECEIVER, Type 1965 (Glide path)	1	-	RC3/58
EG4.82.1107	. UNIT, CONTROL, TYPE 705 AND I.L.S. SWITCH INSTALLATION (SRIM.3533) (MOD 4799) Spares for :-	-	-	RC3/61
AS10512L-1	. . PLATE, adaptor (Alt. R60/61-Mod 5100)	1	-	RC3/62
AS10512M-1	. . SHROUD, terminal (Alt. R60/61-Mod 5100)	1	-	RC3/63
5CW/1047690	. . SWITCH (Pre-Mod 5100) Attaching parts for Ref. 5CW/1047690 :-	1	-	
R A31B12	. . Screw, 4BA	2	-	
R AS10512A-2	. . SWITCH (Alt. R60/61-Mod 5100) Attaching parts for AS10512A-2 :-	1	-	RC3/64
R A31B16	. . Screw, 4BA, cheese head	2	-	RC3/65
R SP10B	. . Washer, 4BA	2	-	RC3/66
10L/263	. . UNIT, control, Type 705	1	-	RC3/67

## RADIO

## A.R.I.23143/1 AND 23143/4, TWIN P.T.R. 175, INSTALLATION

Part Number	Description	No. Off	Mati. Spec.	Plate No.					
				1	2	3	4	5	6
R EG4.82.1003	A.R.I.23143/1 & 23143/4, TWIN P.T.R. 175, INSTALLATION (SRIM.3533) (MOD 4799) (Pre Mod 5438)	—	—						RC4/1
R EG4.82.1137	GA OF ASR889 TWIN SYSTEM (Mod 5438) Spares for:—	—	—						RC7/1
R UG349AU	. ADAPTER (Mod 5438)	2	—						RC7/2
EB6.82.335	. AERIAL, LOWER, INSTALLATION Spares for:—	—	—						RC4/2
10B2222399	. . AERIAL, Type 16-1 (SRIM.3800) (Mod 5049) Attaching parts for Ref. 10B/2222399:—	1	—						RC4/3
AS1248/6C	. . Bolt, 2BA	6	—						RC4/4
AS1242/3C	. . Bolt, 2BA	2	—						RC4/5
EB6.82.1415	. . Plate, mounting	1	—						RC4/6
SP13C	. . Washer	6	—						RC4/7
EB6.82.337	. . STRUCTURE, U.H.F., AERIAL, INSTALLATION Spares for:—	—	—						RC4/8
EB6.82.341	. . . BRACKET, support Attaching parts for EB6.82.341:—	1	S510						RC4/8A
A25/3C	. . . Bolt, 2BA	4	—						RC4/9
AGS2001C1/66	. . . Nut, 2BA	4	—						RC4/10
SP15C	. . . Washer	4	—						RC4/11
EB6.82.611	. AERIAL, UPPER, INSTALLATION Spares for:—	—	—						RC4/12
10B2222399	. . AERIAL, Type 16-1 (SRIM.3800) (Mod 5049) Attaching parts for Ref. 10B/2222399:—	1	—						RC4/13
AS1248/6C	. . Bolt, 2BA	6	—						RC4/14
AS1242/3C	. . Bolt, 2BA	2	—						RC4/15
EB6.82.1417	. . Plate, mounting	1	—						RC4/16
SP13C	. . Washer	6	—						RC4/17
SCD40370	. AERIAL, WHIP, AT RIB NO. 4, PORT BOMB DOOR, INSTALLATION (SRIM.3533) (MOD 4799) Spares for:—	—	—						RC4/18
10B9513781	. . AERIAL Attaching parts for Ref. 10B/9513781:—	1	—						RC4/19
AS1248/1/2C	. . Bolt, 2BA	4	—						RC4/20
SCC31142	. . CONDUIT, 1" o/d x 20 SWG Attaching parts for SCC31142:—	1	L54						RC4/21
A25/1C	. . Bolt, 2BA	2	—						RC4/22
AS5418/16	. . Clip, 'P'	1	—						RC4/23
AGS2001C1/66	. . Nut, 2BA	1	—						RC4/24
A32C20	. . Screw, 2BA	1	—						RC4/25
SP13C	. . Washer	3	—						RC4/26
SCC31145	. . COVER, 16 SWG Attaching parts for SCC31145:—	1	L72						RC4/27
AS1248/1C	. . Bolt, 2BA	QR	—						RC4/28
AS1248/2C	. . Bolt, 2BA	QR	—						RC4/29
10L4306013	. . GROMMET, Type 123	1	—						RC4/30

## RADIO

A.R.I. 23143/1 AND 23143/4, TWIN P.T.R. 175, INSTALLATION

Part Number	Description	No. Off	Matl. Spec.	Plate No.
SCD79442	. AERIAL, WHIP, AT RIB 18, PORT BOMB DOOR, INSTALLATION, (SRIM.3533) (MOD 4799) Spares for:—	—	—	RC4/31
10B9513781	. . AERIAL Attaching parts for Ref. 10B/9513781:—	1	—	RC4/32
AS1248/½C	. . Bolt, 2BA	4	—	RC4/33
SCC79485	. . CONDUIT, 1" o/d x 20 SWG Attaching parts for SCC79485	1	L54	RC4/34
A25/4C	. . Bolt, 2BA	2	—	RC4/35
AS5418/16	. . Clip, 'P'	1	—	RC4/36
AGS2001C1/66	. . Nut, 2BA	1	—	RC4/37
A31C14	. . Screw, 2BA	1	—	RC4/38
SP13C	. . Washer	3	—	RC4/39
SCB79398	. . COVER, assembly Attaching parts for SCB79398:—	1	—	RC4/40
AS1248/2C	. . Bolt, 2BA	14	—	RC4/41
10AL4306013	. . GROMMET, Type 123	1	—	RC4/42
A33-7061-01	. CABLE (Mod 5438)	2	—	RC7/3
A33-6986-01	. CABLE (Mod 5438)	2	—	RC7/4
SCA78015/1	. CONNECTOR, from muting unit interconnecting box No. 1 to MEP (SRIM.3533) (Mod 4799)	1	—	RC5/1
SCA78015/2	. CONNECTOR, from muting unit interconnecting box No. 2 to MEP (SRIM.3533) (Mod 4799)	1	—	RC5/2
SCA78015/3	. CONNECTOR, from radio junction box to ECP (SRIM.3533) (Mod 4799)	1	—	RC5/3
SCA78015/4	. CONNECTOR, from radio junction box to pressure bulkhead (SRIM.3533) (Mod 4799)	1	—	RC5/4
SCA78015/5	. CONNECTOR, from UA6043 distribution box to radio junction box (SRIM.3533) (Mod 4799)	1	—	RC5/5
SCA78015/6	. CONNECTOR, from UA6043 distribution box to radio junction box (SRIM.3533) (Mod 4799)	1	—	RC5/6
SCA78015/7	. CONNECTOR, from radio junction box to CU1606/4 and CU1607/7 control units (SRIM.3533) (Mod 4799)	1	—	RC5/7
SCA78015/8	. CONNECTOR, from CU1607/7 control unit to pressure bulkhead (SRIM.3533) (Mod 4799)	1	—	RC5/8

R  
R

## RADIO

A.R.I. 23143/1 AND 23143/4, TWIN P.T.R. 175, INSTALLATION

Part Number	Description	No. Off	Mati. Spec.	Plate No.	1 2 3 4 5 6					
SCA78015/10A	. CONNECTOR, from No. 2 muting unit	1	-							
SCA78015/9	. CONNECTOR, from pressure bulkhead to No. 1 muting unit interconnecting box (SRIM.3533) (Mod 4799)	1	-	RC5/9						
R SCA78015/10	. CONNECTOR, from No. 1 muting unit interconnecting box to control receiver muting (SRIM.3533) (Mod 4799) (Pre Mod 5438)	1	-	RC5/10						
SCA78015/11	. CONNECTOR, from No. 1 muting unit interconnecting box to No. 1 T/R, PRT175 (SRIM.3533) (Mod 4799)	1	-	RC5/11						
SCA78015/12	. CONNECTOR, from No. 1 T/R, PRT175 to upper UHF aerial (SRIM.3533) (Mod 4799)	1	-	RC5/12						
SCA78015/13	. CONNECTOR, from No. 2 T/R, PTR 175 to lower UHF aerial (SRIM.3533) (Mod 4799)	1	-	RC5/13						
SCA78015/14	. CONNECTOR, from C1607/4 control unit to pressure bulkhead (SRIM.3533) (Mod 4799)	1	-	RC5/14						
SCA78015/15	. CONNECTOR, from pressure bulkhead to No. 2 muting unit interconnecting box (SRIM.3533) (Mod 4799)	1	-	RC5/15						
SCA78015/16	. CONNECTOR, from No. 2 muting unit interconnecting box to No. 2 T/R, PRT175 (SRIM.3533) (Mod 4799)	1	-	RC5/16						
SCA78015/17	. CONNECTOR, from No. 1 T/R, PTR175 to forward aerial in port bomb-door (SRIM.3533) (Mod 4799)	1	-	RC5/17						
SCA78015/18	. CONNECTOR, from No. 2 T/R, PTR 175 to rear aerial in port bomb-door (SRIM.3533) (Mod 4799)	1	-	RC5/18						
SCA78015/110	. CONNECTOR, from pilot's starboard instrument panel to radio junction box (SRIM.3533) (Mod 4799)	1	-	RC5/19						
SCA78015/111	. CONNECTOR, from radio junction box to ECP (SRIM.3533) (Mod 4799)	1	-	RC5/20						
R EG4.82.1089	. CONTROL, MUTING AND INTER-CONNECTING BOX. No. 2, PTR, REAR FUSELAGE INSTALLATION (MOD 4799) (Pre Mod 5438)	1	-	RC5/21						
R EG4.82.1309	. INSTALLATION OF I/C BOX No. 2 (Mod 5438) Spares for:-									
10AD9326361	. . BOX, interconnecting	1	-	RC5/22						
5E9993757	. . CABLE, Uninyvin 8	QR	-							
5E9012998	. . CABLE, Uninyvin 16	QR	-							
AS2675	. . FERRULE	2	-							
AS2674	. . FERRULE	1	-							
AS2672	. . FERRULE	2	-							
12318	. . LUG	2	-							

AP 101B-0415-3A

## RADIO

A.R.I. 23143/1 AND 23143/4, TWIN P.T.R. 175, INSTALLATION

Part Number	Description	No. Off	Matl. Spec.	Plate No.
EG5.82.181	. . . PANEL, ASSEMBLY Spares for:—	1	—	RC5/23
5CZ1053794	. . . . BLOCK, terminal, 2-way Attaching parts for Ref. 5CZ/1053794:—	2	—	RC5/24
A31A24	. . . . Screw, 6BA	2	—	RC5/25
SP13A	. . . . Washer	2	—	RC5/26
R 10L9433247	. . . . CONTROL, muting receiver (Pre Mod 5438) Attaching parts for Ref. 10L/9433247:—	1	—	RC5/27
A31B16	. . . . Screw, 4BA	4	—	RC5/28
SP13B	. . . . Washer	4	—	RC5/29
EG5.82.183	. . . . PLATE, MOUNTING, ASSEMBLY Spares for:—	1	—	RC5/30
TERRY 80/3	. . . . . CLIP	1	—	RC5/33
10HB9401786	. . . . . SOCKET, Type 359 Attaching parts for EG4.82.1089:—	1	—	RC5/31
A31C16	. . . . Screw, 2BA	8	—	RC5/32
R EA4.82.5423	. . . INSULATION, R/F, ON REAR ACCESS HATCH DOOR (Mod 5438) Spares for:—	—	—	RC7/5
R A25-2C	. . . BOLT, 2BA, hex head	14	—	RC7/6
R EA4.82.5425	. . . COVER, fibreglass	1	—	RC7/7
R ECCOSORB-AN77	. . . INSULATION, 2¼" thick	QR	—	RC7/8
R AGS2007-C1	. . . NUT, anchor, 2BA	14	—	RC7/9
R EA4.82.5427	. . . STRIP, rubber	1	BS2751- BA60	RC7/10
R SP124D	. . . WASHER	14	—	RC7/11
R P587-03A-2	. MOUNTING, AV, mid red (Mod 5438)	4	—	RC7/12
R P587-03A-3	. MOUNTING, AV, dark red (Mod 5438)	4	—	RC7/13
EG4.80.1403	. . . PANEL, ASSEMBLY, INSTRUMENTS, STARBOARD, PILOT'S (MOD 4799) Spares for:—	1	—	RC6/1
5CW1047692	. . . SWITCH, S.P. on/off, tone 1 and 2	RF	—	RC6/24
5CW1047693	. . . SWITCH, S.P. changeover, pilot's/navigator's	RF	—	RC6/25
EG4.80.1333	. . . PANEL, ASSEMBLY, SIDE, NAVIGATOR'S Spares for:—	1	—	RC6/2
C5165Y Mk. 4	. . . INDICATOR, magnetic	RF	—	RC6/26
AS10512D-7	. . . SWITCH, tone/transmit	RF	—	RC6/27
R 630-1-43409	. . . PLATE, blanking (Mod 5438)	2	—	RC7/14
R A34-3292-01	. . . PLUG, muting (Mod 5438)	2	—	RC7/15
R A33-7103-50	. . . STRAP, tray, bonding (Mod 5438)	4	—	RC7/16
R AA13306-1	. . . TRAY, assembly (Mod 5438)	2	—	RC7/17
R AA1201-3	. . . TRANSCEIVER, VHF (Mod 5438)	2	—	RC7/18
R 630-1-37851-018	. . . TRANSCEIVER, UNF, PTR 1751 W (Mod 5438)	2	—	RC7/19

## RADIO

A.R.I. 23143/1 AND 23143/4, TWIN P.T.R. 175, INSTALLATION

Part Number	Description	No. Off	Matl. Spec.	Plate No.					
				1	2	3	4	5	6
R EG5.82.149	. TRANSMITTER/RECEIVER, No. 2, PTR/175, REAR FUSELAGE, INSTALLATION (Pre Mod 5438)	—	—						RC6/3
R EG4.82.1307	. TRANSMITTER/RECEIVER UNITS ASR889 No. 2 SYSTEM (Mod 5438) Spares for:—	—	—						
R 10AJ9428544	. . MOUNTING, Type MT1477 (Pre Mod 5438) Attaching parts for Ref. 10AJ9428544:—	1	—						RC6/4
A25/1C	. . Bolt, 2BA	16	—						RC6/5
SP13C	. . Washer	16	—						RC6/6
R 10D9711781	. . TRANSMITTER/RECEIVER, PTR/175 (Pre Mod 5438)	1	—						RC6/7
R SCD78698	. TRANSMITTER/RECEIVER, No. 1, PT/175, CENTRE FUSELAGE, INSTALLATION (SRIM.3533) (MOD 4799) (Pre Mod 5438)	—	—						
R EG4.82.1305	. TRANSMITTER/RECEIVER UNITS ASR889 AND I/C BOX No. 1 SYSTEM (Mod 5438) Spares for:—	—	—						
10AD9326361	. . BOX, interconnecting Attaching parts for Ref. 10AD/9326361:—	1	—						RC6/8
A217C14	. . Screw, 8 UNC	4	—						RC6/9
SP122C	. . Washer	4	—						RC6/10
SCD78697	. . BRACKET, assembly, control mounting Attaching parts for SCD78697:—	1	L72						RC6/11
A60/2E	. . Bolt, ¼" BSF	4	—						RC6/12
SP13E	. . Washer	4	—						RC6/13
R 10L9433247	. . CONTROL, muting, receiver (Pre Mod 5438) Attaching parts for Ref. 10L/9433247:—	1	—						RC6/14
A31B16	. . Screw, 4BA	4	—						RC6/15
SP13B	. . Washer	4	—						RC6/16
R 10AJ9428544	. . MOUNTING, Type MT.1477 (Pre Mod 5438) Attaching parts for Ref. 10AJ9428544:—	1	—						RC6/17
A25/½C	. . Bolt, 2BA	16	—						RC6/18
AGS2001C1/66	. . Nut, 2BA	16	—						RC6/19
SP13C	. . Washer	16	—						RC6/20
R 10D9711781	. . TRANSMITTER/RECEIVER, PTR/175 (Pre Mod 5438)	1	—						RC6/21
R 10L1070030	. UNIT, control, Type C1607/7, navigator's coaming panel (SRIM.3533) (Mod 4799) (Pre Mod 5438)	1	—						RC6/22
R 5821-99-6520259	. UNIT, controller, V/UHF, PV1753L (Mod 5438)	1	—						
R 10L9455739	. UNIT, control, Type C1607/4, starboard instrument panel (Pre Mod 5438)	2	—						RC6/23
R 630-1-37854-010	. UNIT, controller, V/UHF, PV1754L (Mod 5438)	2	—						
R AA1220-1	. UNIT, adapter (Mod 5438)	2	—						
R 630-1-37846-001	. UNIT, interface, PV1746B (Mod 5438)	2	—						

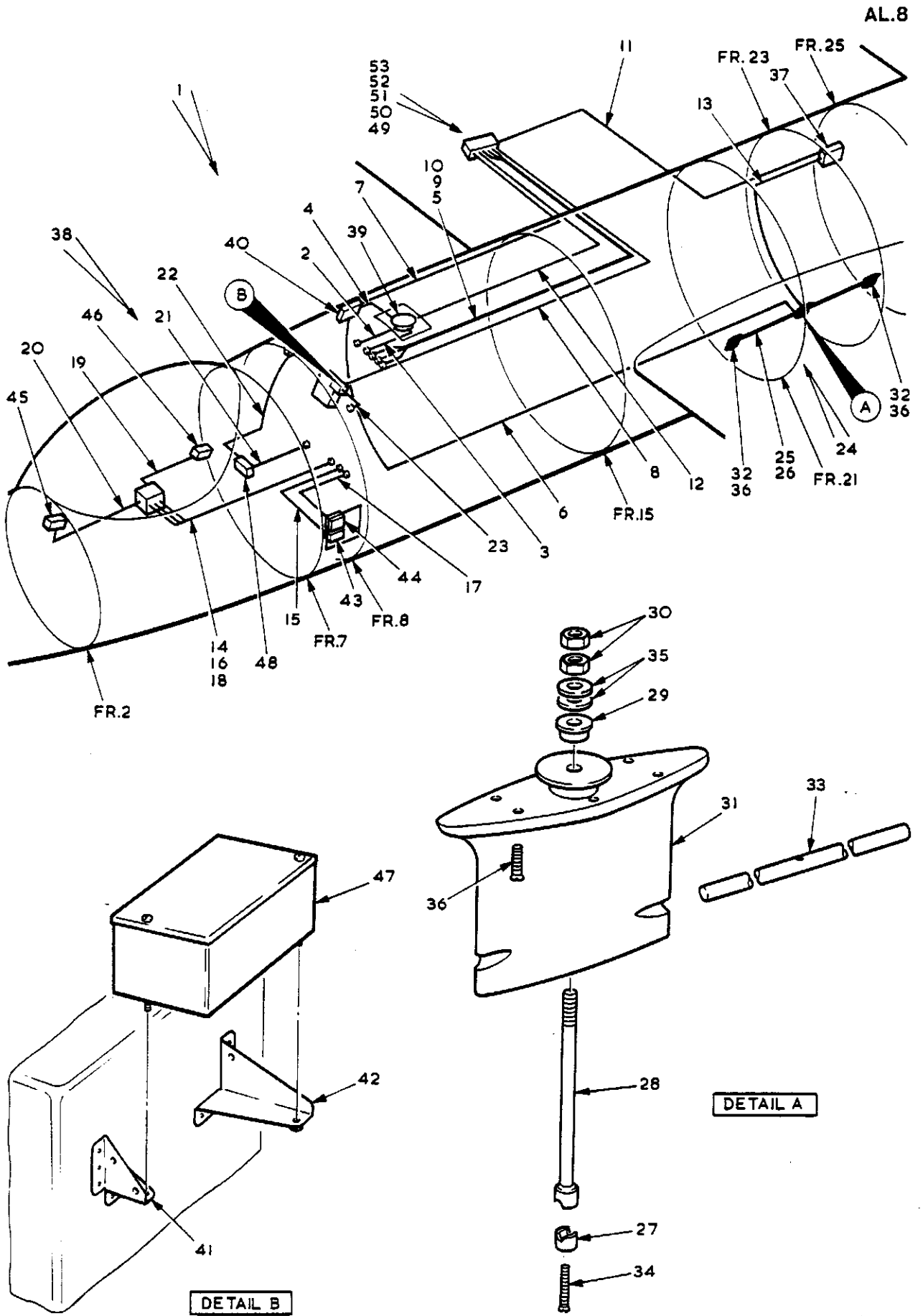


FIG. 1 RADIO, A.R.I.23021, A.D.F. INSTALLATION

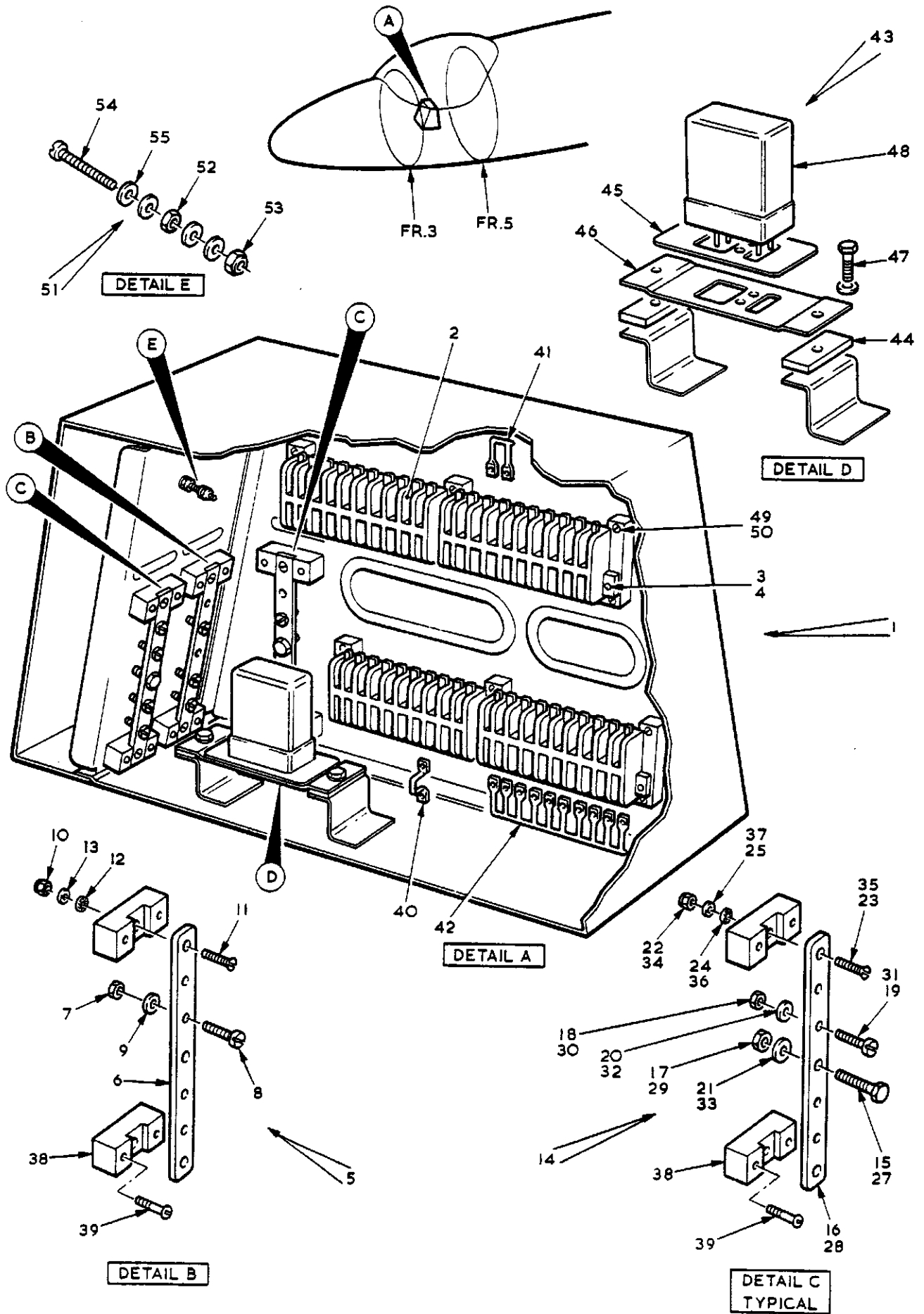


FIG. 2 RADIO, EQUIPMENT & WIRING RADIO RELAY BOX

CODE Z

SECT. RC

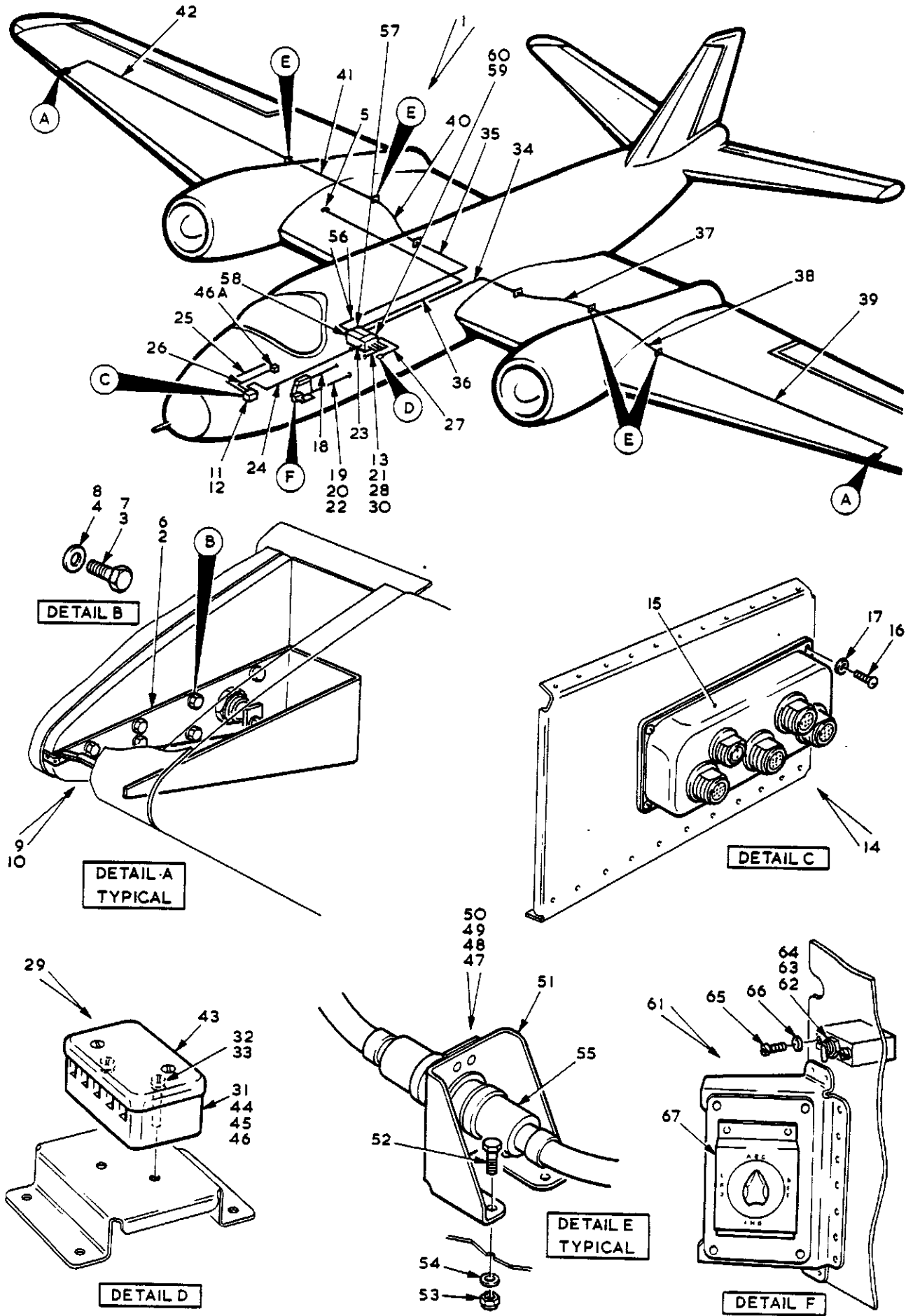


FIG. 3 RADIO, A.R.I.18011, I.L.S., INSTALLATION

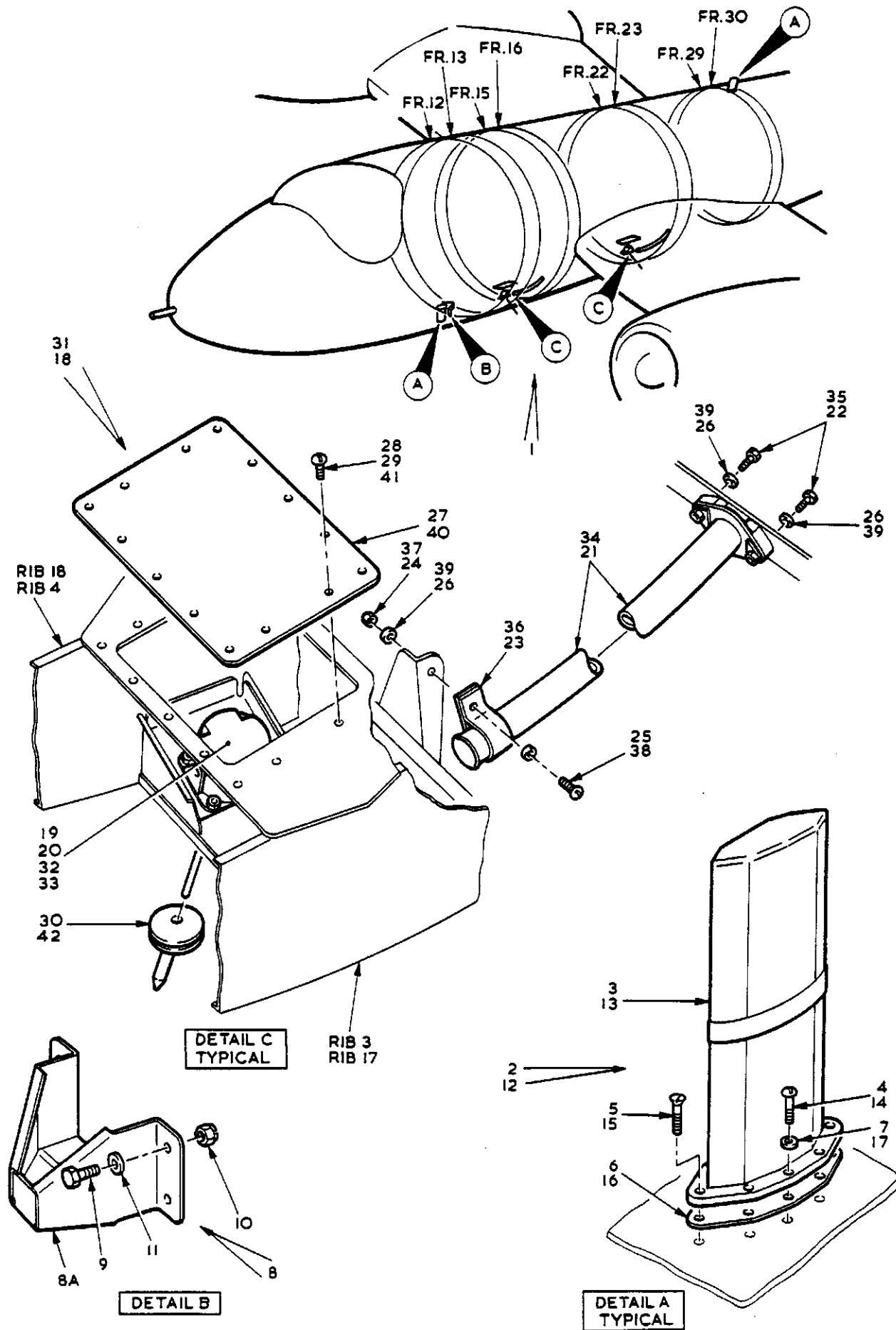


FIG. 4 RADIO, A.R.I.23143/1 & 23143/4, TWIN  
P.T.R.175, INSTALLATION

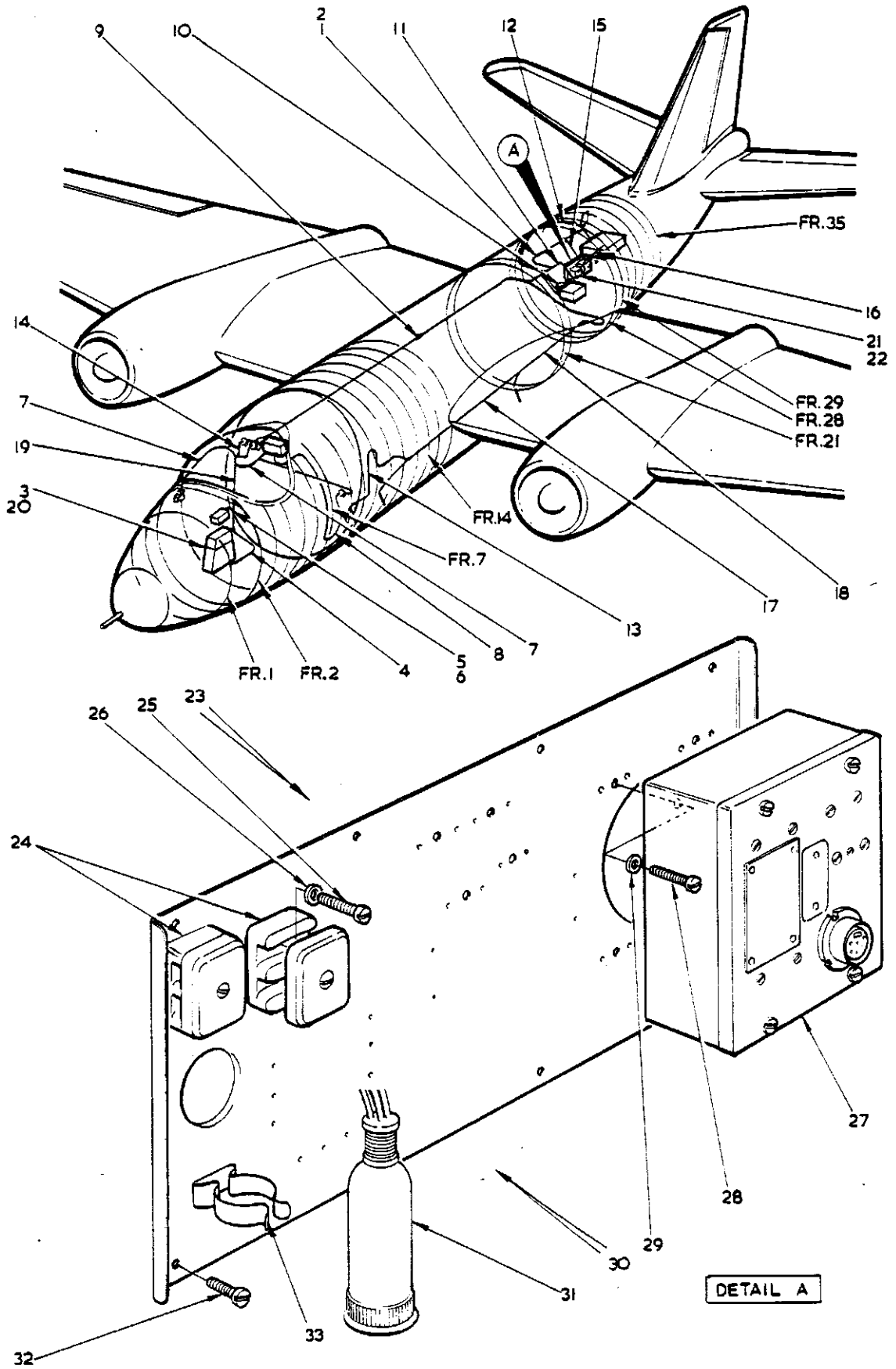


FIG 5 RADIO INSTALLATION

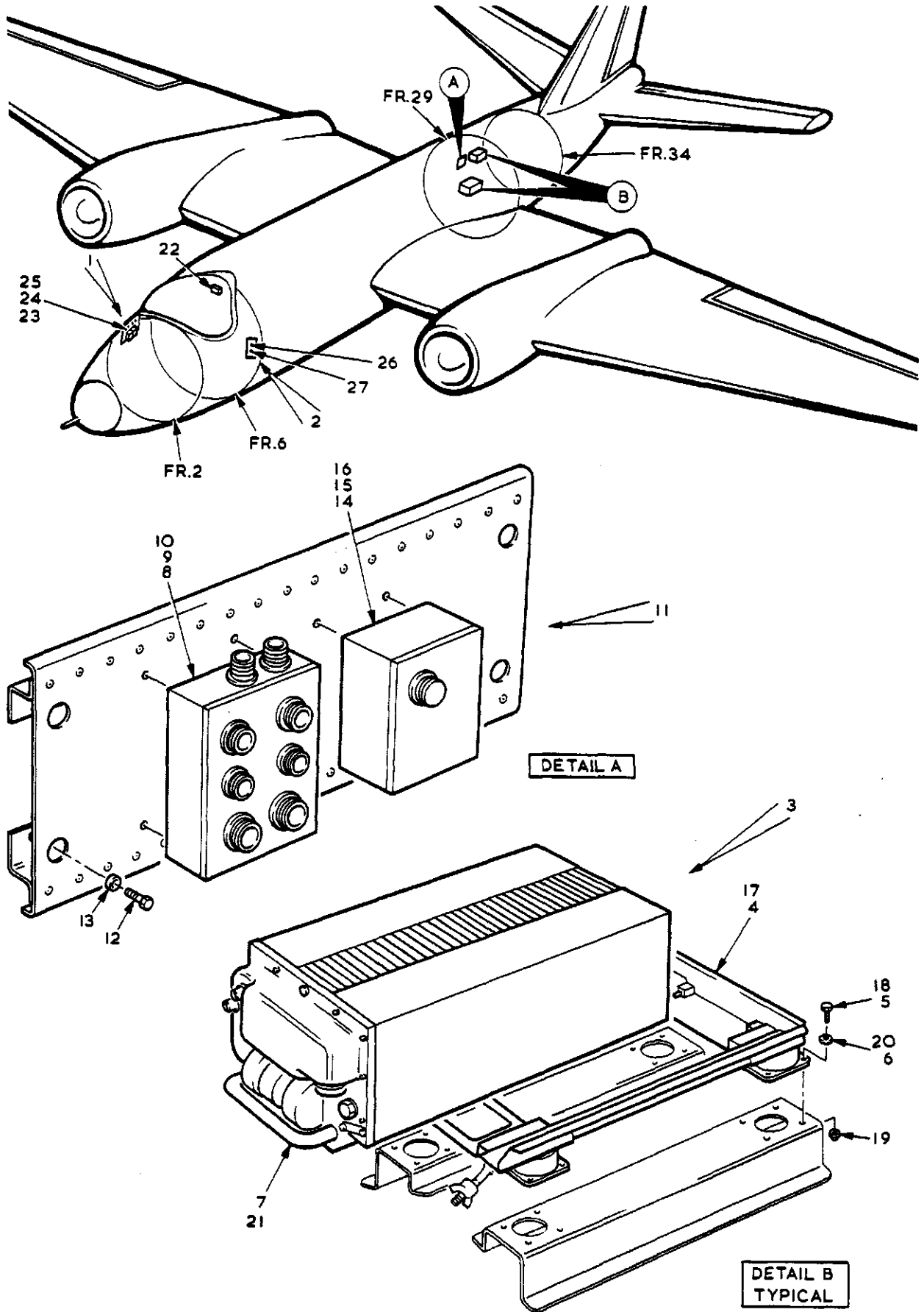
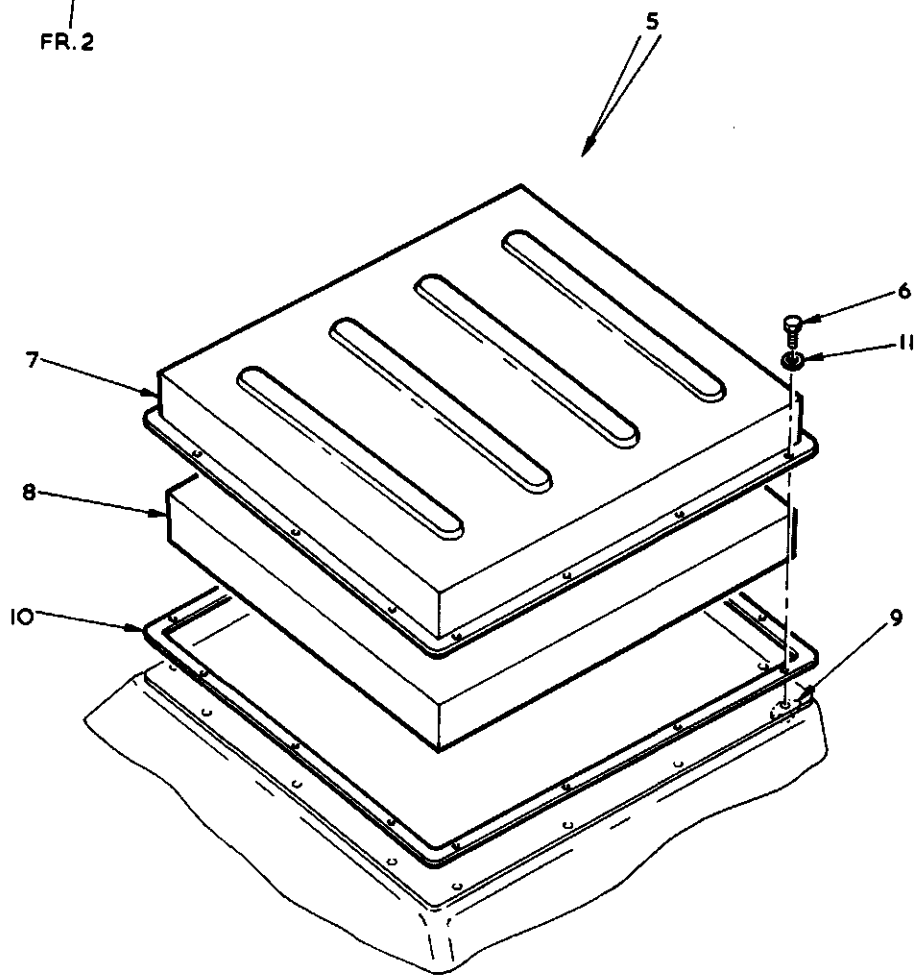
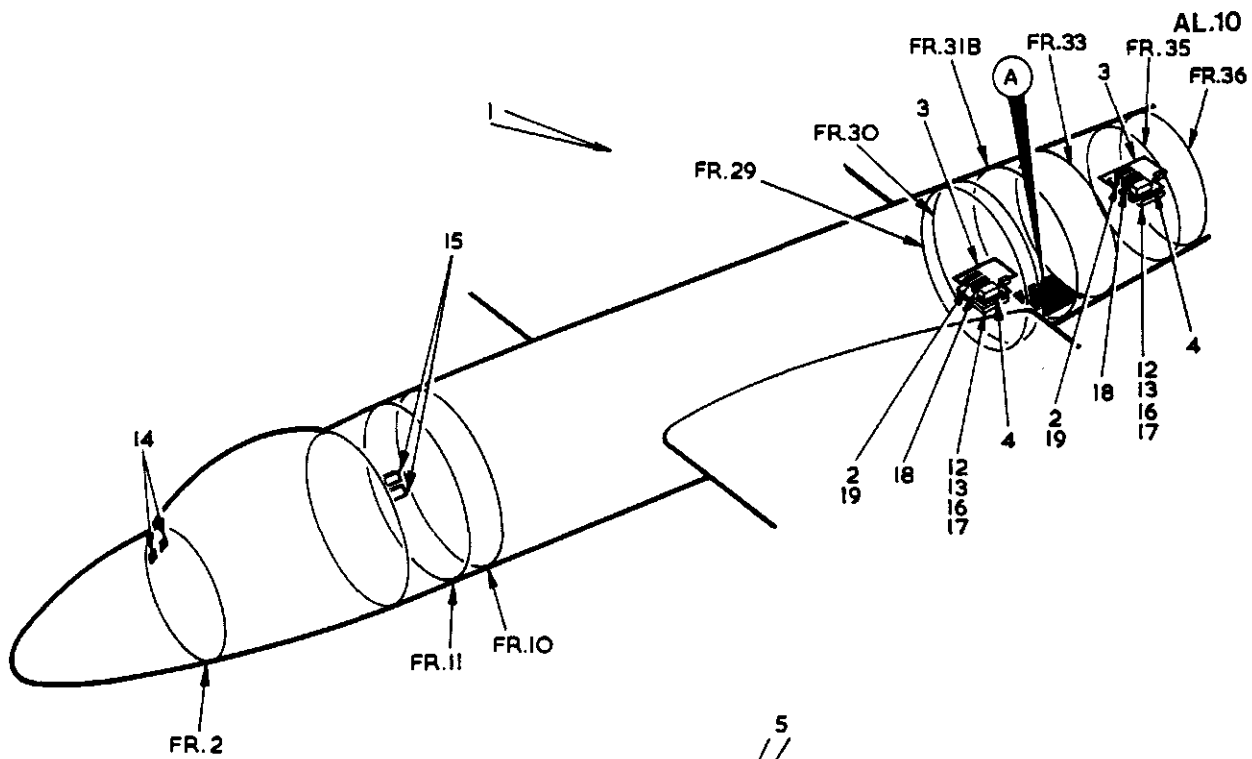


FIG. 6 RADIO, A.R.I.23143/1 & 23143/4, TWIN P.T.R.175, INSTALLATION



DETAIL A

This file was downloaded  
from the RTFM Library.

Link: [www.scottbouch.com/rtfm](http://www.scottbouch.com/rtfm)

Please see site for usage terms,  
and more aircraft documents.

