

AP101B-0415-3A

TAIL UNIT  
RUDDER C/W TAB

Part Number	Description	No. Off	Mtl. Spec.	Plate No.
EA3.33.1	RUDDER, C/W TAB, ASSEMBLY (PRE-MOD 5043)	1	-	TA1/1
EA3.00.5397	RUDDER, C/W TAB, ASSEMBLY (MOD 5043) (PRE-MOD 5111)	1	-	
EA3.00.5489	RUDDER, C/W TAB, ASSEMBLY (MOD 5111) (PRE-MOD 5119)	1	-	
EB7.00.5211	RUDDER, C/W TAB, ASSEMBLY (MOD 5119) Spares for :-	1	-	
EA1.33.247	. BOLT, special trim tab actuator connecting	1	S11	TA1/2
EA1.33.287	. BOLT, special nose rib 2 and trailing edge rib 2	2	S65	TA2/1
EA1.33.283	. BRACKET, TOP HINGE MOUNTING, ASSEMBLY Spares for :-	1	-	TA2/2
EA1.33.71	. BRACKET, HINGE, RUDDER, ASSEMBLY Spares for :-	1	-	TA2/3
HOFFMAN				
CBA3	. . . BALLRACE, self aligning	1	-	TA2/4
EEAS3J	. . . HOUSING, ballrace	1	-	TA2/5
EEAS4/18J	. . . WASHER, packing	2	-	TA2/6
EA1.33.293	. . . BRACKET, hinge, top mounting	1	DTD683	TA2/7
EA3.33.215	. . . CUP, sealing	2	Rubber	TA2/8
A27GS	. . . NUT, 5/16" BSF	1	-	TA2/9
EA1.33.281	. . . PIN, special, hinge	1	S65	TA2/10
SP90C8	. . . PIN, split	1	-	TA2/11
EA3.33.213	. . . PLATE, locking	1	DTD124A	TA2/12
4104-8- 5/16	. . . SCREW, self tapping, type Z	1	-	TA2/13
SP15J	. . . WASHER	1	-	TA2/14
A25/6E	Attaching parts for EA1.33.283 :- . Bolt, 1/4" BSF	2	-	TA2/15
EA1.33.297	. COWL, rubber, tab control rod Attaching parts for EA1.33.297 :-	1	-	TA2/16
AS1248/1/8	. Bolt, 4BA	9	-	TA2/17
EB7.82.5865	. DISCHARGER, STATIC, INSTALLATION (MOD 5119) Spares for :-	-	-	
R R R R	CHELTON			
EB7.82.5873	. . . BASE, mounting type 2/23	1	-	TA2/45
CHELTON	. . . BASE, mounting (Make from Ref. 10AD/1071416)	3	-	TA2/46
EB7.82.5877	. . . DISCHARGER, static type 2/12	4	-	TA2/47
EA1.33.189	. . . PACKING	1	-	TA2/48
	. HINGE, BOTTOM TAB, RIB 1, ASSEMBLY Spares for :-	1	-	TA2/18
SKEFKO				
CBA2	. . . BALLRACE	1	-	TA2/19
AGS2030/24	. . . CIRCLIP, internal 29/32" dia Attaching parts for EA1.33.189:-	1	-	TA2/20
A25/3C	. Bolt, 2BA	3	-	TA2/22
EA1.31.63	. Bolt, ballrace attachment	1	-	TA2/23
SP15C	. Washer	3	-	TA2/24
EA3.33.7	. NOSE, RUDDER AND PIVOT, POINT, ASSEMBLY Spares for:-	1	-	TA1/3
EA3.33.247	. . . ARM, mass balance Attaching parts for EA3.33.247:-	1	-	TA1/4
A25/3C	. . . Bolt, 2BA	8	-	TA1/5
A27CP	. . . Nut, 2BA	8	-	TA1/6
SP13C	. . . Washer	8	-	TA1/7
RANSOME & MARLES				
CA1 13/16"	. . . BALLRACE, main, lower, tab operating gear	1	-	TA1/8
EA1.33.301	. . . BOLT, special, rudder trim tab actuator	1	S11	TA1/9



AP101B-0415-3A

Page TA.3

TAIL UNIT  
RUDDER C/W TAB

Part Number	Description						No. Off	Mati. Spec.	Plate No.
	1	2	3	4	5	6			
EA1.33.177	.	.	.	.	.	.	1	-	TA3/1
	HOUSING, BEARING, FOR RUDDER OPERATING GEAR AT RIB 6, ASSEMBLY Spares for :-								
RANSOME & MARLES CA1 5/16"	.	.	.	.	.	.	1	-	TA3/2
AGS2031/24	.	.	.	.	.	.	1	-	TA3/3
AGS2030/48	.	.	.	.	.	.	1	-	TA3/4
EA1.33.123	.	.	.	.	.	.	1	L40	TA3/5
	HOUSING, bearing Attaching parts for EA1.33.123 :-								
A25/3E	.	.	.	.	.	.	4	-	TA3/6
	Bolt, 1/4" BSF								
EA1.33.179	.	.	.	.	.	.	1	-	TA3/7
	LEVER, ASSEMBLY Spares for :-								
SKEFKO CBA2	.	.	.	.	.	.	1	-	TA3/8
EA1.33.205	.	.	.	.	.	.	1	L40	TA3/9
	PLATE, stop Attaching parts for EA1.33.205 :-								
AS1246/3C	.	.	.	.	.	.	1	HTS	TA3/10
	Bolt, round head, 2BA								
EA1.33.201	.	.	.	.	.	.	1	L64	TA3/11
EA1.33.203	.	.	.	.	.	.	1	T4	TA3/12
EA1.33.383	.	.	.	.	.	.	1	L40	TA1/44
	HOUSING, bearing tab operating gear at rib 2 Attaching parts for EA1.33.383 :-								
A25/3E	.	.	.	.	.	.	6	-	TA1/45
	Bolt, 1/4" BSF								
EA1.33.445	.	.	.	.	.	.	1	-	TA3/13
EA1.33.447	.	.	.	.	.	.	1	-	TA3/14
	PANEL, access L.H. lower hinge bracket PANEL, access R.H. lower hinge bracket Attaching parts for EA1.33.445 and EA1.33.447 :-								
EEAS1/1C	.	.	.	.	.	.	8	-	TA3/15
	Screw, 2BA								
EA1.33.791	.	.	.	.	.	.	1	-	TA3/16
	PANEL, access upper hinge bracket Attaching parts for EA1.33.791 :-								
EEAS1/1C	.	.	.	.	.	.	10	-	TA3/17
	Screw, 2BA								
EA1.33.425	.	.	.	.	.	.	2	-	TA3/18
EA1.33.57	.	.	.	.	.	.	1	-	TA3/19
EA9.33.75	.	.	.	.	.	.	1	-	TA3/19
	PLUG, sealing rudder lifting point RIB, nose No. 1 L.H. (Pre-Mod 4427) RIB, nose No. 1 L.H. (Mod 4427) (Supplied for spares to drg. EA3.00.5265)								
EA1.33.58	.	.	.	.	.	.	1	-	TA3/20
	RIB, nose No. 1 R.H. (Pre-Mod 4427) (Supplied for spares to drg. EA3.00.5265)								
EA9.33.76	.	.	.	.	.	.	1	-	TA3/20
	RIB, nose No. 1 R.H. (Mod 4427) (Supplied for spares to drg. EA3.00.5266)								
EA1.33.779	.	.	.	.	.	.	1	MS	TA3/21
EA3.33.133	.	.	.	.	.	.	1	-	TA3/22
SP90H13	.	.	.	.	.	.	1	-	TA3/22A
EA1.33.93	.	.	.	.	.	.	1	-	TA3/23
EA1.33.187	.	.	.	.	.	.	1	-	TA3/24
	HINGE, tab centre Attaching parts for EA1.33.187 :-								
A25/2C	.	.	.	.	.	.	1	-	TA3/25
A25/3C	.	.	.	.	.	.	2	-	TA3/26
A27CP	.	.	.	.	.	.	3	-	TA3/27
SP15C	.	.	.	.	.	.	2	-	TA3/28
	Bolt, 2BA Bolt, 2BA Nut, 2BA Washer								

R

TAIL UNIT  
RUDDER C/W TAB

Part Number	Description	No. Off						Matl. Spec.	Plate No.
		1	2	3	4	5	6		
EA3.33.271	. ROD, TAB, CONTROL, ASSEMBLY (PRE-MOD 4930)						1	-	TA2/25
EA3.33.303	. ROD, TAB, CONTROL, ASSEMBLY (MOD 4930)						1	-	
	(PRE-MOD 5473)								
EA3.33.341	. ROD, TAB, CONTROL, ASSEMBLY (MOD 5473)						1	-	
	Spares for:-								
EA3.33.269	. . BOLT, special, adjusting						1	S95	TA2/26
EEAS131/1	. . FORK-END, control tube (PRE-MOD 5473)						1	DTD683	TA2/27
EA3.33.347	. . FORK-END (MOD 5473)						1	-	
EEAS37/13A	. . NIPPLE, 3/16" dia						10	-	TA2/29
A27GP	. . NUT						1	-	TA2/29A
A27GPL	. . NUT						1	-	TA2/29B
HOFFMANN CF2	. . ROD-END, assembly						1	-	TA2/28
or CM3/16C	. . ROD-END, assembly						1	-	
EA1.33.275	. . SOCKET, screwed (PRE-MOD 5473)						1	L40	TA2/30
EA3.33.349	. . SOCKET, screwed (MOD 5473)						1	-	
EEAS38/1A	. . SPOKE, 6BA						5	-	TA2/31
	Attaching parts for EA3.33.271, EA3.33.303 and EA3.33.341:-								
EEAS13	. Bolt, special, 1/4" BSF						1	S11	TA2/32
EA1.31.65	. Bolt, special						1	-	TA2/33
EEAS14	. Bush, bearing						2	S11	TA2/34
A27ES	. Nut, 1/4" BSF						1	-	TA2/35
A27CS	. Nut, 2BA						1	-	TA2/36
SP90C7	. Pin, split, 1/16" dia						2	-	TA2/36A
EEAS28/8GR	. Washer						2	L72	TA2/37
SP16C	. Washer						1	-	TA2/38
EA3.33.21	. TAB, RUDDER, TRIM, ASSEMBLY (PRE-MOD 5043)						1	-	TA2/39
EA3.00.5407	. TAB, RUDDER, TRIM, ASSEMBLY (MOD 5043)						1	-	
	(PRE-MOD 5115)								
EA3.00.5509	. TAB, RUDDER, TRIM, ASSEMBLY (MOD 5111)						1	-	
	(PRE-MOD 5119)								
EB7.00.5213	. TAB, RUDDER, TRIM, ASSEMBLY (MOD 5119)						1	-	
	Spares for:-								
EA3.31.53	. . ARM, balance support						6	L40	TA2/40
	Attaching parts for EA3.31.53:-								
A29EP	. . Nut, 1/4" BSF						1	-	TA2/41
SP16E	. . Washer						1	-	TA2/42
SP15E	. . Washer						1	-	TA2/43
EA1.45.49	. . BOLT, special, balance weight retaining						6	S1	TA2/44
EA3.33.23	. . BRACKET, rudder tab actuator						1	-	TA2/29
EB7.82.5665	. . DISCHARGER, STATIC, INSTALLATION (MOD 5119)						-	-	
	Spares for:-								
EB7.82.5675	. . . BASE, mounting (Make from Ref. 10AD/1071416)						1	-	TA2/49
CHELTON	. . DISCHARGER, static type 2/11						1	-	TA2/50
EA1.31.61	. . PIN, hinge bearing						1	S11	TA3/30
	Attaching parts for EA1.31.61:-								
A27ET	. . Nut, 1/4" BSF						1	-	TA3/31
EA3.33.107	. . WEIGHT, balance						2	-	TA2/44A
EA3.33.125	. . WEIGHT, balance						1	-	TA2/44B
EA1.33.481	. WASHER, mass balance						19	-	TA3/32
EA1.33.249	. WASHER, special thrust trim actuator connecting bolt						2	L40	TA1/46
EA3.33.249	. WEIGHT, balance						1	-	TA3/33
	Attaching parts for EA3.33.131:-								
EA1.33.489	. Bolt						4	-	TA3/34
EA1.33.491	. Packing						4	-	TA3/35
EA3.33.139	. WEIGHT, balance						3	-	TA3/36
EA1.33.483	. WEIGHT, balance						7	-	TA3/37

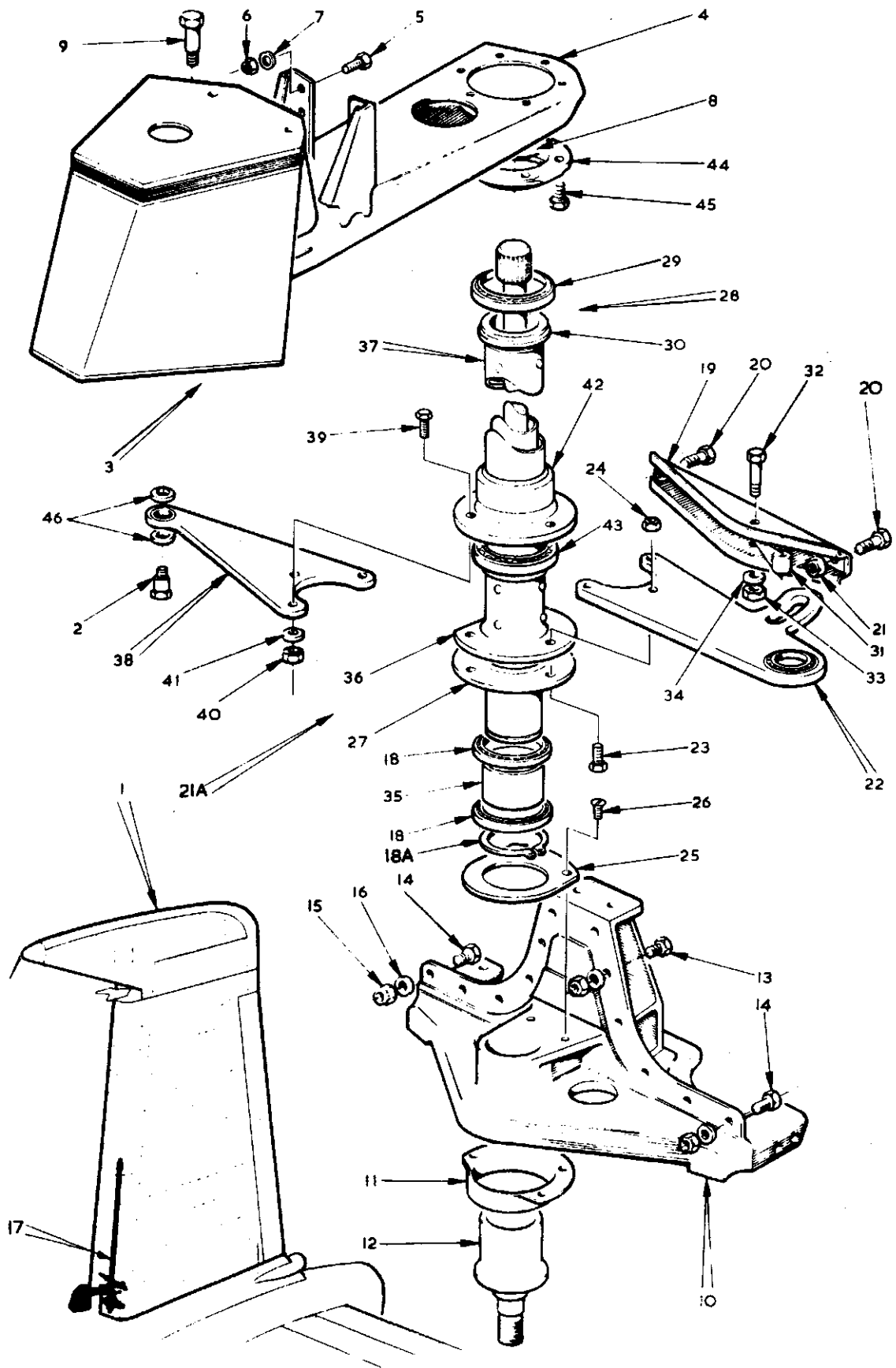


FIG 1 RUDDER C/W TAB

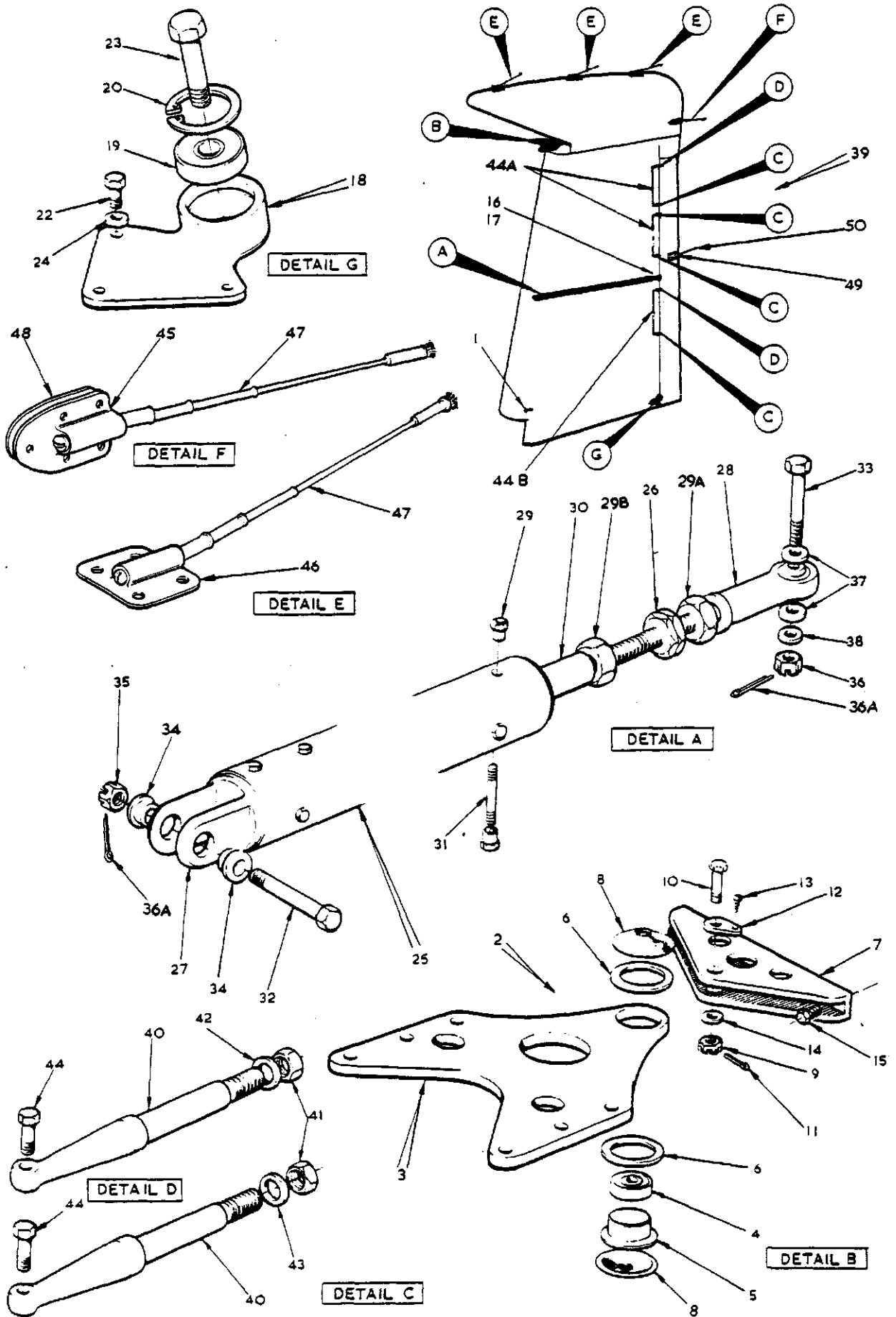


FIG.2 RUDDER C/W TAB

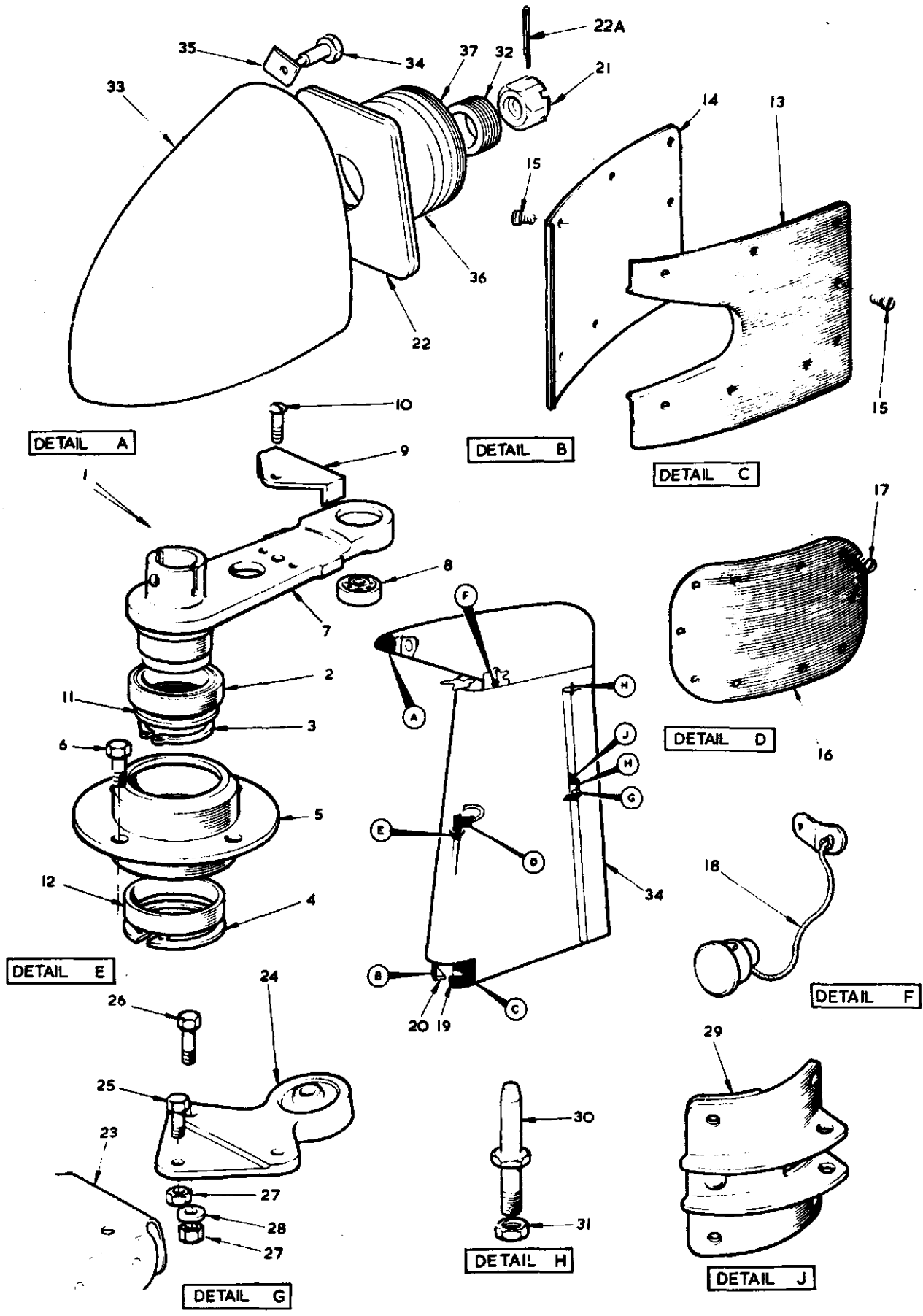


FIG 3 RUDDER C/W TAB

CODE RSTZ

SECT TA

This file was downloaded  
from the RTFM Library.

Link: [www.scottbouch.com/rtfm](http://www.scottbouch.com/rtfm)

Please see site for usage terms,  
and more aircraft documents.

