

TAIL UNIT
RUDDER C/W TAB

Part Number	Description	No. Off	Mati. Spec.	Plate No.	
					1
R EA3.00.5397	RUDDER C/W TAB ASSEMBLY (Spare) (EA3.33.1) (Mod 5043)	1	-	1/25	
EA3.00.5489	RUDDER C/W TAB ASSEMBLY (Spare) (EA3.33.1) (Mod 5111)	1	-		
EB7.00.5211	RUDDER C/W TAB ASSEMBLY (Spare) (EA3.33.11)(Mod 5119) Spares for:-	1	-		
EEAS13	. BOLT, special tab control rod connecting	1	S.96	2/1	
EA1.31.63	. BOLT, special tab control connection	1	S.96	4/7	
EA1.31.65	. BOLT, special tab control connection	1	S.96 or S.47	2/4	
EA1.33.247	. BOLT, special trim tab actuator connecting	1	S.11	1/11	
EA1.33.287	. BOLT, special nose rib 2 and trailing edge rib 2	2	S.65	4/23	
EA1.33.283	. BRACKET, TOP HINGE MOUNTING GROUP Consisting of:-	1	-	3/1	
EA1.33.71	. BRACKET, rudder hinge assembly Spares for:-	1	-	3/9	
HOFFMANN CA3	. . . BEARING, ballrace	1	-	3/13	
EEAS3J	. . . HOUSING, bearing	1	L.65	3/14	
EEAS4/18J	. . . WASHER, packing	2	DTD610	3/2	
EA1.33.293	. BRACKET, top hinge	1	DTD683	3/7	
EA3.33.215	. CLIP, sealing	2	Rubber S/H 45-55	3/3	
A27GS	. NUT, 5/16" BSF slotted	1	-	3/11	
EA1.33.281	. PIN, special hinge	1	S.65	3/4	
AGS166/3	. PIN, split	1	-	3/12	
EA3.33.213	. PLATE, locking	1	DTD124A	3/6	
Type4100 No. 8 x 5/16" SP15J	. SCREW, self tapping type 2	1	-	3/5	
	. WASHER, 3/8" BSF plain Attaching parts for EA1.33.283:-	1	-	3/10	
A25/6E	. Bolt, 1/4" BSF	2	-		
EEAS14	. BUSH, tab control special bolt	1	S.96	2/9	
EA1.33.297	. COWL, rudder tab control rod Attaching parts for EA1.33.297:-	1	DTD213	2/19	
AS1242/1/2B	. Bolt, 4 BA mushroom head	9	-	2/20	
EA1.33.189	. HINGE TAB BOTTOM AT RIB 1 GROUP Consisting of:-	1	-	4/1	
SKEFCO CBA2	. BEARING, ballrace	1	-	4/4	
AGS2030/24	. CIRCLIP, internal	1	-	4/2	
EA1.33.189A	. HOUSING, bearing Attaching parts for EA1.33.189:-	1	L.40	4/5	
A25/3C	. Bolt, 2 BA hex head	3	-	4/8	
SP15C	. Washer, 2 BA plain	3	-	4/6	
EA3.33.7	. NOSE RUDDER AND PIVOT POINT GROUP Spares for:-	1	-	1/30	
EA3.33.247	. ARM, mass balance assembly	1	-	1/1	

TAIL UNIT
RUDDER C/W TAB

Part Number	Description	No. Off	Mati. Spec.	Plate No.
RANSOME & MARLES CA-1-13/16" E.A1.33.125	. . . BEARING, ballrace	1	—	1/2
	. . . BRACKET, BOTTOM, RUDDER HINGE, ASSEMBLY Spares for:—	1	—	1/33
E.A3.33.217 SHROUD, sealing	1	DTD213	1/31
E.A1.33.815 SPIGOT, rudder bottom bearing Attaching parts for E.A1.33.125:—	1	S95	1/32
A25/2C	. . . Bolt, 2 BA hex. head	10	—	1/29
A25/3C	. . . Bolt, 2 BA hex. head	2	—	1/28
AGS.2002/C/1	. . . Nut, stiff, 2 BA	12	—	1/26
SP16/C	. . . Washer, 2 BA plain	12	—	1/27
E.A3.00.259	. . . GEAR, TAB OPERATING, GROUP (E.A1.33.215) Spares for:—	1	—	1/5
RANSOME & MARLES CA1-3/16" BEARING, ballrace	2	—	1/22
E.A1.33.231 BRACKET, stop	1	—	1/7
AGS.2031/22 CIRCLIP, external	1	—	1/24
E.A1.33.161 LEVER, assembly Attaching parts for E.A1.33.161:—	1	—	1/21
E.A3.33.339 Bolt, special, 1/4" BSF	3	—	1/9
AGS.2002/E/1 Nut, stiff, 1/4" BSF	3	—	1/20
E.A3.33.211 PLATE, sealing	1	L40	1/19
E.A1.33.211 STOP, limit Attaching parts for E.A1.33.211:—	1	—	1/10
A25/7E Bolt, 1/4" BSF hex. head	1	—	1/8
AGS.2001/E/1 Nut, stiff, 1/4" BSF	1	—	1/15
SP13/E Washer, 1/4" BSF plain	1	—	1/14
E.A1.33.233 TUBE, distance, for bearings	1	—	1/23
E.A1.33.803 TUBE, TORQUE, OUTER, ASSEMBLY Spares for:—	1	—	1/6
E.A1.33.721 LEVER, assembly Attaching parts for E.A1.33.721:—	1	—	1/16
E.A1.33.241 Bolt, special, 1/4" BSF	3	—	1/12
AGS.2002/E/1 Nut, stiff, 1/4" BSF	3	—	1/18
SP15/E Washer, 1/4" BSF plain	3	—	1/17
E.A1.33.177	. . . HOUSING, BEARING, FOR RUDDER OPERATING GEAR, AT RIB 6, ASSEMBLY Spares for:—	1	—	2/18
RANSOME & MARLES CA. 1-5/16" BEARING, ballrace	1	—	2/15

TAIL UNIT

RUDDER C/W TAB

Part Number	Description	No. Off	Matl. Spec.	Plate No.						
					1	2	3	4	5	6
AGS.2031/24	. . . CIRCLIP, external	1	—	2/17						
AGS.2030/48	. . . CIRCLIP, internal	1	—	2/24						
E.A1.33.123	. . . HOUSING, bearing	1	L40	2/22						
E.A1.33.179	. . . LEVER, tab control, assembly	1	—	2/14						
E.A1.33.205	. . . PLATE, stop	1	L40	2/12						
AS.1246/3C	. . . Bolt, 2 BA round head Attaching parts for E.A1.33.205:—	1	—	2/11						
E.A1.33.201	. . . RING, ballrace retaining	1	L64	2/16						
E.A1.33.203	. . . TUBE, distance Attaching parts for E.A1.44.177:—	1	T4	2/23						
A25/3E	. . . Bolt, 1/4" BSF hex. head	4	—	2/21						
E.A1.33.383	. . . HOUSING, bearing, tab operating gear, at rib 2 Attaching parts for E.A1.33.383:—	1	L40	1/3						
A25/3E	. . . Bolt, 1/4" BSF hex. head	6	—	1/4						
E.A1.33.445	. . . PANEL, access, L.H. lower hinge bracket Attaching parts for E.A1.33.445:—	1	L72	3/19						
EEAS.1/1C	. . . Screw, 2 BA 120° c'sk head	8	S96	3/20						
E.A1.33.447	. . . PANEL, access, R.H. lower hinge bracket Attaching parts for E.A1.33.447:—	1	L72	3/18						
EEAS.1/1C	. . . Screw, 2 BA 120° c'sk head	8	S96	3/17						
E.A1.33.791	. . . PANEL, access, upper hinge bracket Attaching parts for E.A1.33.791:—	1	L72	3/15						
EEAS.1/1C	. . . Screw, 2 BA 120° c'sk head	10	S96	3/16						
E.A1.33.425	. . . PLUG, sealing, rudder lifting point, assembly	2	—	3/8						
E.A1.33.503	. . . WASHER, saddle, for tab operating gear, rib 6	2	—	2/13						
E.A1.33.779	. . . NUT, special, balance weight clamping	1	MS	2/10						
—	. . . REINFORCEMENT OF T.E. RIB No. 1 (E.A3.33.283) (Mod. 4707) Spares for:—	—	—	4/14						
E.A3.33.289	. . . ANGLE, L.H.	1	L72	4/15						
E.A3.33.290	. . . ANGLE, R.H.	1	L72	4/16						
E.A3.33.293	. . . PACKING	2	L72	4/10						
E.A3.33.295	. . . PACKING, butt strap	2	L72	4/13						
E.A3.33.285	. . . SKIN, insertion, L.H.	1	L72	4/18						
E.A3.33.286	. . . SKIN, insertion, R.H.	1	L72	4/19						
E.A3.33.287	. . . STRAP, butt, L.H.	1	L72	4/11						
E.A3.33.288	. . . STRAP, butt, R.H.	1	L72	4/12						
E.A3.33.291	. . . STRIP, packing	2	L72	4/17						
E.A1.33.93	. . . RIB, TRAILING, No. 6, ASSEMBLY Spares for:—	1	—	3/24						
E.A1.33.187	. . . HINGE, tab centre Attaching parts for E.A1.33.187:—	1	—	3/23						
A25/2C	. . . Bolt, 2 BA hex. head	1	—	3/22						
A25/3C	. . . Bolt, 2 BA hex. head	2	—	3/21						
A27/CP	. . . Nut, 2 BA plain	3	—	3/25						
SP15/C	. . . Washer, 2 BA plain	2	—	3/26						
—	. . . STATIC DISCHARGERS, INSTALLATION (E.B7.82.5665) (Mod. 5119) Spares for:—	1	—	3/27						
R CHELTON 2-12	. . . DISCHARGER, static, angled	4	—	3/28						
E.B7.82.5673	. . . MOUNTING (Make from CHELTON Type 2-23, Ref. 10AD/1071416)	3	—	3/29						
CHELTON 2-23	. . . MOUNTING	1	—	3/30						
E.B7.82.5677	. . . PACKING	1	L73	3/31						

TAIL UNIT

RUDDER C/W TAB

Part Number	Description	No. Off	Mati. Spec.	Plate No.
R EA3.33.271	. . . ROD, TAB CONTROL, ASSEMBLY (Pre-Mod.4930)	1	—	2/2
EA3.33.303	. . . ROD, TAB CONTROL, ASSEMBLY (Mod.4930) (Pre-Mod.5473)	1	—	
R EA3.33.341	. . . ROD, TAB CONTROL, ASSEMBLY (Mod.5473) Spares for:—	1	—	
EA3.33.269	. . . BOLT, special adjusting	1	S95	2/8
A27/GP	. . . NUT, 5/16" BSF plain	1	—	2/3
A27/GP/L	. . . NUT, 5/16" BSF plain, L.H.	1	—	2/7
HOFFMANN				
R CF2 or CF2A	. . . ROD-END, ball bearing	1	—	2/6
EA3.00.5407	. . . TAB, RUDDER TRIM, ASSEMBLY (Spare) (EA3.33.21) (Mod.5043)	1	—	4/20
EA3.00.5509	. . . TAB, RUDDER TRIM, ASSEMBLY (Spare) (EA3.33.21) (Mod.5111)	1	—	
EB7.00.5213	. . . TAB, RUDDER TRIM, ASSEMBLY (Spare) (EA3.33.337) (Mod.5119) Spares for:—	1	—	
EA3.31.53	. . . ARM, balance weight support	6	L40	4/22
EA1.45.49	. . . BOLT, special, balance, weight retaining	6	S1	4/21
EA3.33.23	. . . BRACKET, rudder tab actuator	1	—	4/3
EA1.31.61	. . . PIN, hinge bearing	2	S11	4/9
—	. . . STATIC DISCHARGERS, INSTALLATION (EB7.82.5665) (Mod.5119) Spares for:—	1	—	4/24
CHELTON				
2-11	. . . DISCHARGER, static, straight	1	—	4/25
EB7.82.5675	. . . MOUNTING (Make from Chelton Type 2-23, Ref.10AD/1071416)	1	—	4/26
EA1.33.249	. . . WASHER, special thrust, at trim tab actuator connecting bolt	2	L40	1/13
EEAS.28.8GR	. . . WASHER, special thrust, at tab control attachment	2	L72	2/5

TAIL UNIT
TAILPLANE AND ELEVATORS

Part Number	Description	No. Off	Mtl. Spec.	Plate No.
-	TAILPLANE AND ELEVATORS, ASSEMBLY (EA1.00.19 or EA3.00.5473) Spares for:	-	-	5/4
EA3.31.45	. Bolt, special, in port elevator lever operating lever	1	S95	9/6
EEAS13/1	. BOLT, special, 1/4" BSF hex head	1	S11	9/32
EA1.30.335	. BUFFER, rubber stop, elevator control	2	S/H 45	10/25
EA3.31.47	. BUSH, serrated, for special bolt port elevator operating lever	1	S95	9/2
R EA3.00.5393	. ELEVATOR, C/W TAB, PORT, GROUP (Spare) (EA1.31.1) (Mod.5043)	1	-	5/9
EA3.00.5485	. ELEVATOR, C/W TAB, PORT, GROUP (Spare) (EA3.31.5021) (Mod.5111)	1	-	
EB7.00.5215	. ELEVATOR, C/W TAB, PORT, GROUP (Spare) (EA3.31.5041) (Mod.5119) (Pre Mod.5348)	1	-	
EB7.00.5245	. ELEVATOR, C/W TAB, PORT ASSEMBLY (Spares for EA3.31.5041) (Mod.5348) Spares for:	1	-	
EA1.31.709	. . BALANCE, MASS ELEVATOR, GROUP Spares for:	1	-	5/34
EA1.31.713	. . . ARM, balance weight	1	S95	5/22
EA1.31.133	. . . BOLT, special, make-up balance weight	2	MS	5/11
EA1.31.705	. . . PIN, special, locking balance weight to arm	1	S95	5/18
EA1.31.707	. . . PLUG, screwed, end fitting	1	S95	5/21
EA1.31.129	. . . WEIGHT, balance make-up	1	G.E.C. Heavy Metal	5/17
EA1.31.711	. . . WEIGHT, balance	1	G.E.C. Heavy Metal	5/32
R 30A/9606751	. . . WIRE, locking, 22 SWG Attaching parts for EA1.31.709:	QR	-	5/12
A27/JS	. . Nut, 3/8" BSF slotted	1	-	5/19
SP90/C7	. . Pin, split	1	-	5/13
EEAS28/34JR	. . Washer	1	L72	5/20
SKEFCO CBA.2	. . BEARING, ballrace, elevator tab	1	-	6/30
SKEFCO TTS8-1/2	. . BEARING, ballrace, tab control lever at tab torque mounting	1	-	8/12
EA1.31.63	. . BOLT, special, bearing tab hinge	1	S11	6/1
EA1.31.157	. . BRACKET, link mounting Attaching parts for EA1.31.157:	1	L65	5/30
A25/5E	. . Bolt, 1/4" BSF hex. head	2	-	5/27
A27/EP	. . Nut, 1/4" BSF plain	2	-	5/28
AGS2031/22	. . CIRCLIP, external, 1-1/16" dia.	1	-	8/13
AGS2030/22	. . CIRCLIP, internal	1	-	6/31
EA1.31.11 or EA3.31.5025	. . ELEVATOR, PORT, GROUP Spares for:	1	-	6/17
EA1.31.79	. . . BRACKET, hinge Attaching parts for EA1.31.79:	3	-	6/3
AS1242/3C	. . . Bolt, 2BA c'sk head	1	-	6/14
A25/3C	. . . Bolt, 2BA hex. head	2	-	6/13
AGS2001/C1	. . . Nut, 2BA stiff	3	-	6/9
SP125/D	. . . Washer, 2BA	3	-	6/10

TAIL UNIT
TAILPLANE AND ELEVATORS

Part Number	Description	No. Off	Mati. Spec.	Plate No.
EA1.31.485	COVER, hand hole between elevator rib and hinge rib	1	L72	6/21
AS1242/1C	Attaching parts for EA1.31.485: Bolt, 2BA c'sk head	8	—	6/20
EA1.31.7 or EA3.31.5033	HORN, ELEVATOR, PORT, GROUP	1	—	6/24
	Spares for:			
EA3.31.5009	BRACKET, horn (Alt.R60/50) (Mod.5101)	1	L92	6/4
EEAS1/2C	SCREW, 2BA 120° c'sk head	3	S96	6/23
EEAS1/4C	SCREW, 2BA 120° c'sk head	8	S96	6/6
EEAS1/4-1/2E	SCREW, 1/4" BSF 120° c'sk head	16	S96	6/2
EA1.31.91	SPIGOT, hinge	1	S96	6/8
EA3.31.25	WEIGHT, ELEVATOR HORN BALANCE, GROUP	1	—	6/32
	Consisting of:			
EA3.31.29	BOLT, special	1	MS	6/33
EA3.31.27	DISC, balance weight	1	DTD126A	6/34
EA1.31.333	DISC, balance weight	QR	L64	6/35
EA1.31.339	HOUSING, balance weight	1	—	6/36
SP42/J	WASHER, tab, 3/8" BSF	1	—	6/26
SP15/J	WASHER, 3/8" BSF plain	QR	—	6/38
EA3.31.39	WEIGHT, mass balance	1	S92	6/39
EA3.31.41	WEIGHT, mass balance	QR	S92	6/37
EA1.31.83	HOUSING, bearing, tab spar	1	L40	6/27
	Attaching parts for EA1.31.83:			
A27/CT	Nut, 2BA thin	4	—	6/29
EEAS1/2C	Screw, 2BA 120° c'sk head	4	S96	6/22
SP16/C	Washer, 2BA plain	4	—	6/28
EA1.31.679	MEMBER, trailing edge	1	L72	6/16
EA1.31.325	PACKING, trailing edge	8	Balsa Wood	6/19
EEAS1/2-1/2E	SCREW, 1/4" BSF 120° c'sk head	6	S96	6/15
EA1.31.15 or EA3.31.5035	SPAR, ELEVATOR MAIN, PORT, GROUP	1	—	9/13
	Spares for:			
EA3.31.5007	BRACKET, HINGE (Alt.R60/72) (Mod.5101)	1	L92	9/25
	Attaching parts for EA1-31-5007:			
A25/4C	Bolt, 2BA hex. head	2	—	9/18
AS1242/5C	Bolt, 2BA c'sk head	4	—	9/16
A27/CP	Nut, 2BA plain	6	—	9/17
EA9.31.89	Shim	2	Lam. Alum.	9/21
EA9.31.91	Shim	2	Lam. Alum.	9/15
EA1.31.169	BRACKET, BEARING, C/W BALLRACE, GROUP	1	—	5/6
	Consisting of:			
SKEFCO TTS8-1/2	BALLRACE	1	—	5/5

TAIL UNIT
TAILPLANE AND ELEVATORS

Part Number	Description	No. Off	Mati. Spec.	Plate No.
EEAS3/K	HOUSING	1	L65	5/8
EA1.31.169A	PLATE	1	L40	5/7
	Attaching parts for EA1.31.169:			
AS1246/4E	Bolt, 1/4" BSF round head	2	-	5/1
A27/EP	Nut, 1/4" BSF plain	2	-	5/3
SP15/E	Washer, 1/4" BSF plain	2	-	5/2
EA1.31.421	BUSH	1	S95	5/26
EA1.31.149	HINGE, elevator, inboard	1	L45	5/24
	Attaching parts for EA1.31.149:			
EEAS37/8A	Nipple, 4BA	8	S96	5/16
EEAS38/2A	Spoke, 4BA (Make from 28R/7135393	4	S96	5/15
EA1.31.317	MOUNTING, TAB TORQUE TUBE, GROUP	1	-	9/19
	Spares for:			
EA1.31.215	LEVER, stop pin	1	S11	9/10
SP90/C8	PIN, split	1	-	9/11
	Attaching parts for EA1.31.317:			
A26/2C	Bolt, 2BA hex. head	1	-	9/12
A29/ES	Nut, 1/4" BSF slotted	1	-	9/23
EA1.31.303	Shim	1	Alum	9/20
SP15/E	Washer, 1/4" BSF plain	1	-	9/22
EA1.31.91	SPIGOT, hinge	1	S11	9/24
	Attaching parts for EA1.31.91:			
A29/NS	Nut, 1/2" BSF slotted	1	-	9/29
HOFFMANN				
CF2	END, rod	1	-	8/7
EA9.31.45	LEVER, coupling and control operating rod c/w ballrace	1	-	5/10
	Spares for:			
FAFNIR				
KSP6	BALLRACE	1	-	5/10A
	Attaching parts for EA9.31.45:			
A25/7E	Bolt, 1/4" BSF hex. head	4	-	5/25
A25/8E	Bolt, 1/4" BSF hex. head	5	-	5/14
A27/EP	Nut, 1/4" BSF plain	9	-	5/23
EA1.31.691	LEVER, elevator tab operating	1	L40	8/4
	Attaching parts for EA1.31.691:			
A25/8C	Bolt, 2BA hex. head	1	-	8/14
AGS2002/C/1	Nut, stiff, 2BA	1	-	8/15
EA1.31.155	LINK, restricting, operating lever travel	2	L72	5/36
	Attaching parts for EA1.31.155:			
AGS899/6	Collar, 5/16" i/d	2	-	5/35
SP4Y/F11	Pin, shackle	1	-	5/31
SP4Y/F13	Pin, shackle	1	-	5/33
SP90/C7	Pin, split	2	-	5/29
SP15/G	Washer, 5/16" BSF plain	2	-	5/37
EA1.31.211	NUT, special, clamp, torque tube	1	S1	8/28
EA1.31.363	PLUG, elevator mechanism inspection	2	-	8/30

R

TAIL UNIT
TAILPLANE AND ELEVATORS

Part Number	Description	No. Off	Matl. Spec.	Plate No.
R EA3.30.411	. . . ROD, CONNECTING (Mod.4930) (Pre-Mod.5473)	1	—	8/5
EA3.30.475	. . . ROD, CONNECTING, ASSEMBLY (Mod.5473)	1	—	
	Spares for:—			
EA1.31.99	. . . END, piece (Pre-Mod.5473)	1	L40	8/8
EA3.30.479	. . . END, piece (Mod.5473)	1	—	
EA1.31.101	. . . END, piece, ball bearing, rod connecting (Pre-Mod.5473)	1	—	8/3
EA3.30.481	. . . END, piece, ball bearing, rod connecting (Mod.5473)	1	—	
	Attaching parts for EA3.30.273; EA3.30.411 or EA3.30.475:—			
EA1.31.65	. . . Bolt, special	2	S65	8/11
A27/CS	. . . Nut, 2BA slotted	2	—	8/1
EEAS27/8/4	. . . Shim	1	Alum.	8/9
or				
EA1.31.277	. . . Shim	1	—	8/10
SP15/C	. . . Washer, 2BA plain	2	—	8/6
SP16/C	. . . Washer, 2BA plain	2	—	8/2
—	. . . STATIC DISCHARGERS, INSTALLATION (EB7.82.5669) (Mod.5119)	1	—	5/38
	Spares for:—			
CHELTON 2-11	. . . DISCHARGER, static, straight	5	—	5/39
CHELTON 2-12	. . . DISCHARGER, static, angled	1	—	5/40
CHELTON 2-23	. . . MOUNTING	5	—	5/41
EB7.82.5678	. . . MOUNTING (Make from CHELTON Type 2-23, Ref. 10AD/1071416)	1	—	5/42
EA3.00.5401	. . . TAB, ELEVATOR, PORT, GROUP (Spare) (EA3.31.125) (Mod.5043)	1	—	7/11
EA3.00.5487	. . . TAB, ELEVATOR, PORT, GROUP (Spare) (EA3.31.5051) (Mod.5111) (Pre-Mod.5348)	1	—	
EA3.00.5731	. . . TAB, ELEVATOR, PORT ASSEMBLY (Spares for EA3.31.5051) (Mod.5348)	1	—	
	Spares for:—			
EA3.31.53	. . . ARM, support, balance weight Attaching parts for EA3.31.53:—	8	L40	7/1
A29/EP	. . . Nut, 1/4" BSF plain	1	—	7/4
EA1.31.269	. . . Tube, distance	4	L62	7/6
SP15/E	. . . Washer, 1/4" BSF plain	1	—	7/7
SP16/E	. . . Washer, 1/4" BSF plain	1	—	7/5
EA1.31.49	. . . FITTING, tab hinge, inter inboard	1	L40	7/18
EA1.31.55	. . . FITTING, tab hinge, inter outboard	1	L40	7/15
EA1.31.57	. . . FITTING, tab hinge, inboard end	1	L40	7/20
EA3.31.23	. . . FITTING, tab hinge, outboard end	1	L40	7/2
EA1.31.61	. . . PIN, special, tab bearing	3	S11	7/17
EA1.31.355	. . . WEIGHT, tab balance Attaching parts for EA1.31.355:—	2	DTD126A	7/16
EA1.45.49	. . . Bolt, special	2	S1	7/14
EEAS27/8/4	. . . Shim	2	Alum.	7/12
or				
EA1.31.277				
EA1.31.445	. . . WEIGHT, tab balance Attaching parts for EA1.31.445:—	2	S92	7/8
EA1.45.49	. . . Bolt, special	2	S1	7/14
EEAS27/8/4	. . . Shim	2	Alum.	7/12
or				
EA1.31.277	. . . Shim	2	—	7/13

TAIL UNIT

TAILPLANE AND ELEVATORS

Part Number	Description	No. Off	Matl. Spec.	Plate No.
R EA3.31.117	. . . TORQUE TUBE AND BLOW-BACK ROD ASSEMBLY Consisting of:	1	-	8/27
R EA1.31.167	. . . BRACKET, bearing	1	-	8/18
R EA1.31.443	. . . LEVER, operating Attaching parts for EA1.31.443:	1	-	8/29
R EEAS1/5C	. . . Screw, 2BA, csk head	4	S96	8/19
R A27/CS	. . . Nut, 2BA, slotted	4	-	8/25
R SP90/C7	. . . Pin, split	4	-	8/20
R SP15/C	. . . Washer, 2BA	4	-	8/24
R EA1.31.193	. . . ROD, blow-back Attaching parts for EA1.31.193:	1	-	8/26
R A29/JS	. . . Nut, 3/8" BSF, slotted	1	-	8/17
R SP90/C7	. . . Pin, split	1	-	8/16
R EA1.31.199	. . . TUBE, torsion, assembly Attaching parts for EA3.31.117:	1	-	8/21
R A25/5E	. . . Bolt, 1/4" BSF	2	-	8/22
R A27/ES	. . . Nut, 1/4" BSF, slotted	2	-	8/23

TAIL UNIT
TAILPLANE AND ELEVATORS

Part Number	Description 1 2 3 4 5 6	No. Off	Matl. Spec.	Plate No.

TAIL UNIT
TAILPLANE AND ELEVATORS

Part Number	Description	No. Off	Matl. Spec.	Plate No.
EA3.00.5395	. ELEVATOR, C/W TAB, STARBOARD, GROUP (Spare) (EA1.31.3) (Mod.5043)	1	-	11/3
EA3.00.5505	. ELEVATOR, C/W TAB, STARBOARD, GROUP (Spare) (EA3.31.5023) (Mod.5111)	1	-	
EB7.00.5217	. ELEVATOR, C/W TAB, STARBOARD, GROUP (Spare) (EA3.31.5043) (Mod.5119) (Pre Mod.5348)	1	-	
EB7.00.5247	. ELEVATOR, C/W TAB, STARBOARD ASSEMBLY (Spares for EA3.31.5043) (Mod.5348)	1	-	
EA1.31.710	. . . BALANCE, MASS, ELEVATOR, STARBOARD GROUP Consisting of:	1	-	11/27
EA1.31.713	. . . ARM, balance, weight	1	S95	11/19
EA1.31.133	. . . BOLT, special, make-up balance weight	2	MS	11/8
EA1.31.705	. . . PIN, special locking, balance weight to arm	1	S95	11/14
EA1.31.707	. . . PLUG, screwed, end fitting	1	S95	11/22
EA1.31.129	. . . WEIGHT, balance make-up	1	G.E.C. Heavy Metal	11/9
EA1.31.712	. . . WEIGHT, balance	1	G.E.C. Heavy Metal	11/26
30A/9437135	. . . WIRE, locking, 22 SWG Attaching parts for EA1.31.710:	QR	-	11/7
A27/JS	. . . Nut, 3/8" BSF slotted	1	-	11/18
SP90/C7	. . . Pin, split	1	-	11/10
EEAS28/34JR	. . . Washer	1	L72	11/13
SKEFCO				
CBA2	. . . BEARING, ballrace, elevator tab	1	-	6/30
EA1.31.63	. . . BOLT, special, bearing, tab hinge	1	S11	6/1
EA1.31.275	. . . BOLT, special, stop	1	L40	11/28
AGS2030/22	. . . CIRCLIP, internal, 23 m/m	1	-	6/31
EA1.31.13 or EA3.31.5027	. . . ELEVATOR, STARBOARD, GROUP	1	-	6/18
EA1.31.79	Spares for: . . . BRACKET, hinge Attaching parts for EA1.31.79:	3	-	6/3
A25/3C	. . . Bolt, 2BA hex. head	2	-	6/13
AS1242/3C	. . . Bolt, 2BA c'sk head	1	-	6/14
AGS2001/C/1	. . . Nut, stiff, 2BA	3	-	6/9
SP125/D	. . . Washer	3	-	6/10
EA1.31.485	. . . COVER, hand hole between elevator rib and hinge rib Attaching parts for EA1.31.485:	1	L72	6/21
AS1242/1C	. . . Bolt, 2BA c'sk head	8	-	6/20
EA1.31.8 or EA3.31.5034	. . . HORN, ELEVATOR, STARBOARD, GROUP	1	-	6/25
EA3.31.5010	Spares for: . . . BRACKET, horn (Alt.R60/50) (Mod.5101)	1	-	6/5
EEAS1/2C	. . . SCREW, 2BA 120° c'sk head	3	S96	6/23

TAIL UNIT
TAILPLANE AND ELEVATORS

Part Number	1 2 3 4 5 6	Description	No. Off	Matl. Spec.	Plate No.
EEAS1/4C		SCREW, 2BA 120° c'sk head	8	S96	6/6
EEAS1/4-1/2E		SCREW, 1/4" BSF 120° c'sk head	16	S96	6/2
EA1.31.91		SPIGOT, hinge	1	S11	6/8
EA3.31.25		WEIGHT, ELEVATOR HORN BALANCE, GROUP	1	—	6/32
		Consisting of:			
EA3.31.29		BOLT, special	1	MS	6/33
EA3.31.27		DISC, balance weight	1	DTD126A	6/34
EA1.31.333		DISC, balance weight	QR	L64	6/35
EA1.31.339		HOUSING, balance weight	1	—	6/36
SP 42J		WASHER, tab, 3/8" BSF	1	—	6/26
SP15/J		WASHER, 3/8" BSF plain	QR	—	6/38
EA3.31.39		WEIGHT, mass balance	1	S92	6/39
EA3.31.41		WEIGHT, mass balance	QR	S92	6/37
EA1.31.83		HOUSING, bearing, tab spar	1	L40	6/27
		Attaching parts for EA1.31.83:			
A27/CT		Nut, 2BA thin	4	—	6/29
EEAS1/2C		Screw, 2BA 120° c'sk head	4	S96	6/22
SP16/C		Washer, 2BA plain	4	—	6/28
EA1.31.679		MEMBER, trailing, edge	1	L72	6/16
EA1.31.325		PACKING, trailing, edge	8	Balsa Wood	6/19
EEAS1/2-1/2E		SCREW, 1/4" BSF 120° c'sk head	6	S96	6/15
EA1.31.17 or EA3.31.5037		SPAR, ELEVATOR MAIN, STARBOARD, GROUP	1	—	9/14
		Spares for:			
EA3.31.5007		BRACKET, hinge (Alt.R60/72) (Mod.5101) Attaching parts for EA3-31-5007	1	L92	9/25
A25/4C		Bolt, 2BA hex. head	2	—	9/18
AS1242/5C		Bolt, 2BA c'sk head	4	—	9/16
A27/CP		Nut, 2BA plain	6	—	9/17
EA9.31.89		Shim	2	Lam. Alum.	9/21
EA9.31.91		Shim	2	Lam. Alum.	9/15
EA1.31.421		BUSH	1	S95	11/17
EA1.31.151		HINGE, elevator inboard Attaching parts for EA1.31.151:	1	L45	11/12
EEAS37/8A		Nipple, 4BA	8	S96	11/15
EEAS38/2A		Spoke, 4BA (Make from Ref. 28R/7135393)	4	S96	11/11
EA1.31.91		SPIGOT, hinge Attaching parts for EA1.31.91:	1	S11	9/24
A29/NS		Nut, 1/2" BSF slotted	1	—	9/29
EA1.31.351		LEVER, stop, coupling, arm attachment Attaching parts for EA1.31.351:	1	L40	11/29
A25/5G		Bolt, 5/16" BSF hex. head	3	—	11/25
A27/GT		Nut, 5/16" BSF thin	3	—	11/24
EA9.31.47		LEVER, COUPLING, CONTROL, GROUP Consisting of:	1	—	11/5
EA1.31.275		BOLT, special, stop	1	L40	11/6
A27/JT		NUT, 3/8" BSF thin	1	—	11/4
EA9.31.45		LEVER, ASSEMBLY Spares for:	1	—	11/2
FAFNIR KSP6		BEARING, ballrace Attaching parts for EA9.31.47:	1	—	11/1
A25/7E		Bolt, 1/4" BSF hex. head	4	—	11/23
A25/8E		Bolt, 1/4" BSF hex. head	5	—	11/16
A27/EP		Nut, 1/4" BSF plain	9	—	11/20

TAIL UNIT
TAILPLANE AND ELEVATORS

Part Number	Description	No. Off						Mtl. Spec.	Plate No.
		1	2	3	4	5	6		
EA1.31.363	. . . PLUG, elevator mechanism inspection		2					8/30	
EA1.31.105	. . . ROD, connecting, elevator tab gear Attaching parts for EA1.31.105:		1					9/34	
EA1.31.65	. . . Bolt, special		1				S65	9/26	
A27/CS	. . . Nut, 2BA slotted		1					9/33	
EEAS27/8/4	. . . Shim		1				Alum.	9/27	
or EA1.31.277								9/28	
SP15/C	. . . Washer, 2BA plain		1					9/30	
SP16/C	. . . Washer, 2BA plain		1					9/31	
-	. . . STATIC DISCHARGERS, INSTALLATION (EB7.82.5670) (Mod.5119) Spares for:		1					11/30	
CHELTON 2-11	. . . DISCHARGER, static, straight		5					11/31	
CHELTON 2-12	. . . DISCHARGER, static, angled		1					11/32	
CHELTON 2-23	. . . MOUNTING		5					11/33	
EB7.82.5679	. . . MOUNTING (Make from Chelton Type 2-23, Ref. 10AD/ 7105403)		1					11/34	
EA3.00.5043	. . . TAB, ELEVATOR, STARBOARD, GROUP (Spare) (EA3.31.127) (Mod.5043)		1					7/10	
EA3.00.5507	. . . TAB, ELEVATOR, STARBOARD, GROUP (Spare) (EA3.31.5053) (Mod.5111) (Pre Mod.5348)		1						
EA3.00.5733	. . . TAB, ELEVATOR, STARBOARD, ASSEMBLY (Spares for EA3.31.5053) (Mod.5348) Spares for:		1						
EA3.31.53	. . . ARM, support, balance weight Attaching parts for EA3.31.53:		12				L40	7/1	
A29/EP	. . . Nut, 1/4" BSF plain		1					7/4	
EA1.31.269	. . . Tube, distance		6					7/6	
SP15/E	. . . Washer, 1/4" BSF plain		1					7/7	
SP16/E	. . . Washer, 1/4" BSF plain		1					7/5	
EA1.31.50	. . . FITTING, tab hinge, inter inboard		1				L40	7/19	
EA1.31.55	. . . FITTING, tab hinge, inter outboard		1				L40	7/15	
EA3.31.23	. . . FITTING, tab hinge, outboard end		1				L40	7/2	
EA1.31.449	. . . FITTING, tab hinge, inboard end		1				L40	7/3	
EA1.31.61	. . . PIN, special, tab bearing		1				S11	7/17	
EA1.31.353	. . . WEIGHT, balance, outboard Attaching parts for EA1.31.353:		4					7/9	
EA1.45.49	. . . Bolt, special		2				S1	7/14	
EEAS27/8/4	. . . Shim		2				Alum.	7/12	
or EA1.31.277									
EA1.31.355	. . . WEIGHT, balance, inboard Attaching parts for EA1.31.355:		2					7/17	
EA1.45.49	. . . Bolt, special		2				S1	7/14	
EEAS27/8/4	. . . Shim		2				Alum.	7/12	
or EA1.31.277									
EA9.00.377	. FAIRING, DETACHABLE ROOT, PORT, ASSEMBLY (EA1.30.1147)		1					13/1	
EA9.00.378	. FAIRING, DETACHABLE ROOT, STARBOARD ASSEMBLY (EA1.30.1148) Spares for:		1					13/2	
EA1.30.1107	. . . PANEL, access, tailplane actuator Attaching parts for EA1.30.1107:		1				L72	13/6	
A33/B12	. . . Screw, 4BA c'sk head		8					13/5	
EA3.30.267	. . . PLATE, insert, port		1					13/11	
EA3.30.268	. . . PLATE, insert		1					13/12	
EA9.30.39	. . . SEAL, spring, assembly, port		1					13/9	
EA9.30.40	. . . SEAL, spring, assembly, starboard		1					13/10	
A25/3C	Attaching parts for EA9.30.377 and EA9.00.378:								
A33/C16	. Bolt, 2BA c'sk head		4					13/3	
	. Screw, 2BA c'sk head		8					13/4	

TAIL UNIT
TAILPLANE AND ELEVATORS

Part Number	Description	No. Off	Mtl. Spec.	Plate No.					
				1	2	3	4	5	6
EA3.31.43	. LINK, connecting, elevator operating lever Attaching parts for EA3.31.43:—	1	L40						9/4
A25/14J	. Bolt, 3/8" BSF hex. head	1	—						9/3
A27/JS	. Nut, 3/8" BSF slotted	1	—						9/9
SP16/J	. Washer, 3/8" BSF plain	1	—						9/8
EA3.31.49	. PLATE, locking, for serrated bush Attaching parts for EA3.31.49:—	1	S95						9/5
A33/C16	. Screw, 2 BA c'sk head	1	—						9/1
EK5.31.607	. ROD-END, assembly (Alt.R60/14) (Mod 5101)	1	—						9/35
EB8.31.31	. SCREW, special connection, between connecting rod and end piece	1	—						9/36
EA3.00.5511	. TAILPLANE, ASSEMBLY (Pre Mod 5261)	1	—						13/7
EA3.00.5521	. TAILPLANE, ASSEMBLY (Mod 5261) (Pre Mod 5536)	1	—						
EA3.00.5519	. TAILPLANE, ASSEMBLY (This tailplane reworked to Dwg. EA3.03.267 will fit Canberra MK17) (Pre Mod 5536)	1	—						
EA3.30.473	. TAILPLANE, ASSEMBLY (Mod 5536) Spares for:—	1	—						
EA3.30.459	. . . BOLT, special (Mod 5261)	4	—						13/20
EA1.30.297	. . . BOLT, special (Mod 5261 Amdt No.1)	4	S65						13/20
EA1.30.299	. . . BOLT, special	4	S65						13/8
EA3.30.461	. . . BOLT, special (Mod 5261)	8	—						13/17
EA3.30.409	. . . BOLT, special (Mod 5261 Amdt No.1)	8	—						13/18
EA1.30.323	. . . BOLT, special	4	S11						13/19
EA1.30.413	. . . BRACKET, TAILPLANE ACTUATOR CHANNEL ASSEMBLY Spares for:—	1	—						12/36
EA1.30.379 BOLT, special	4	S65						12/39
EA1.30.279 BUSH, bearing	2	S1						12/38
EA1.30.277 PIN, attachment	1	S1						12/40
EA1.30.5 EDGE, leading, tailplane, port (Pre Mod 5261) (Supplied for spares to Drg. EA9.00.23) Spares for:—	1	—						12/17
EA3.30.433 EDGE, leading, tailplane, port assembly (Mod 5261)	1	—						
EA3.30.463 BOLT, special (Mod 5261)	2	—						
A25/4E BOLT, 1/4" BSF (Mod 5261 Amdt No.1)	2	—						
EA3.30.465 BOLT, special (Mod 5261)	12	—						
A25/3C BOLT, 2 BA (Mod 5261 Amdt No.1)	12	—						
— RIB, 3 FRONT ASSEMBLY (EA1.30.89) Spares for:—	—	—						12/19
EA3.30.405 LUG, attachment (Mod 4783)	1	S97						12/3
EA3.30.406 LUG, attachment (Mod 4783) Attaching parts for EA3.30.45 and EA3.30.406:—	1	S97						12/4
A59/3E Bolt, 1/4" BSF hex. head	10	—						12/5
AGS2002/E/1 Nut, stiff, 1/4" BSF	10	—						12/1
SP124/E Washer, packing	10	—						12/2

TAIL UNIT
TAILPLANE AND ELEVATORS

Part Number	Description	No. Off	Mati. Spec.	Plate No.
EA1.30.6	. . . EDGE, leading, tailplane, starboard (Pre-Mod.5261) (Supplied for spares to dwg EA9.00.24)	1	-	12/18
EA3.30.434	. . . EDGE, leading, tailplane, starboard assembly (Mod.5261) Spares for:-			
EA3.30.463	. . . BOLT, special (Mod.5261)	2	-	
A25/4E	. . . BOLT, 1/4" BSF (Mod.5261 Amdt. No.1)	2	-	
EA3.30.465	. . . BOLT, special (Mod.5261)	12	-	
A25/3C	. . . BOLT, 2BA (Mod.5261 Amdt. No.1)	12	-	
-	. . . RIB 3, FRONT ASSEMBLY (EA1.30.69) Spares for:-	-	-	12/19
EA3.30.405	. . . LUG (Mod.4783)	1	S97	12/3
EA3.30.406	. . . LUG (Mod.4783) Attaching parts for lugs:-	1	S97	12/4
A69/3E	. . . Bolt, 1/4" BSF, hex. head	10	-	12/5
AGS/2002/E/1	. . . Nut, stiff, 1/4" BSF	10	-	12/1
SP124/E	. . . Washer, packing	10	-	12/2
EA1.30.7	. . . EDGE, trailing, tailplane, port assembly Spares for:-	1	-	12/11
EA1.30.49	. . . BRACKET, hinge, elevator, outboard c/w ballrace Spares for:-	1	-	12/29
SKEFCO				
BAL 1/2	. . . BALLRACE	1	BSS.292	12/26
EA1.30.401	. . . HOUSING, ballrace	1	L40	12/30
EEAS4/20G	. . . WASHER, packing Attaching parts for EA1.30.49:-	1	L72	12/24
A25/4C	. . . Bolt, 2 BA hex. head	2	-	12/28
AS1242/5E	. . . Bolt, 1/4" BSF c'sk head	4	-	12/33
A27/CP	. . . Nut, 2 BA plain	2	-	12/34
A27/EP	. . . Nut, 1/4" BSF plain	4	-	12/35

TAIL UNIT
TAILPLANE AND ELEVATORS

Part Number	Description 1 2 3 4 5 6	No. Off	Matl. Spec.	Plate No.

TAIL UNIT
TAILPLANE AND ELEVATORS

Part Number	Description	No. Off	Mati. Spec.	Plate No.
EA1.30.117	. . . BRACKET, HINGE, ELEVATOR, CENTRE PORT, C/W BALLRACE, GROUP Spares for:—	1	—	12/31
SKEFCO BAL1/2 BALLRACE	1	BSS292	12/27
EA1.30.399 HOUSING, ballrace Attaching parts for EA1.30.117:	1	L40	12/32
EA1.30.121	. . . Bolt, special	2	S11	12/22
A27ES	. . . Nut, 1/4" BSF slotted	2	—	12/23
EA1.30.383	. . . CUP, sealing, elevator lock recess	2	L40	12/37
—	. . . RIB, 3, AFT, ASSEMBLY (EA1.30.93) spares for:—	—	—	12/8
EA3.30.407 LUG, attachment (Mod.4783)	1	S97	12/15
EA3.30.408 LUG, attachment (Mod.4783) Attaching parts for EA3.30.407 and EA3.30.408:—	1	S97	12/16
A60/4G BOLT, 5/16" BSF hex. head	10	—	12/25
A58/GT Nut, stiff, 5/16" BSF	10	—	12/20
SP125/G Washer, packing	10	—	12/21
EA1.30.8	. . EDGE, TRAILING, TAILPLANE, STARBOARD, ASSEMBLY Spares for:—	1	—	12/12
EA1.30.49	. . . BRACKET, HINGE, ELEVATOR, OUTBOARD, C/W BALLRACE, GROUP Spares for:—	1	—	12/29
SKEFCO, BAL1/2 BALLRACE	1	BSS292	12/26
EA1.30.401 HOUSING, ballrace	1	L40	12/30
EEAS4/20G WASHER, packing Attaching parts for EA1.30.49:—	1	L72	12/24
A25/4C	. . . Bolt, 2BA hex. head	2	—	12/28
AS1242/5E	. . . Bolt, 1/4" BSF c'sk head	4	—	12/33
A27/CP	. . . Nut, 2BA plain	2	—	12/34
A27/EP	. . . Nut, 1/4" BSF plain	4	—	12/35
EA1.30.117	. . . BRACKET, HINGE, ELEVATOR, CENTRE STARBOARD, C/W BALLRACE, GROUP Spares for:—	1	—	12/31
SKEFCO BAL1/2 BALLRACE	1	BSS292	12/27
EA1.30.399 HOUSING, ballrace Attaching parts for EA1.30.117:—	1	L40	12/32
EA1.30.121	. . . Bolt, special	2	S22	12/22
A27/ES	. . . Nut, 1/4" BSF slotted	2	—	12/23
EA1.30.315	. . . BRACKET, operating, tab Attaching parts for EA1.30.315:—	1	—	10/4
EA1.30.313	. . . Bolt, special	2	S11	10/2
A27/ES	. . . Nut, 1/4" BSF slotted	2	—	10/6
AGS166-3	. . . Pin, split	2	—	10/6A
EA1.30.291	. . . BRACKET, stop, elevator lower Attaching parts for EA1.30.291:—	1	—	10/28
AS1246/3C	. . . Bolt, 2BA round head	4	—	10/24
AGS2001/C/1	. . . Nut, stiff, 2BA	4	—	10/26
SP16/C	. . . Washer, 2BA plain	4	—	10/23

TAIL UNIT
TAILPLANE AND ELEVATORS

Part Number	1 2 3 4 5 6	Description	No. Off	Mati. Spec.	Plate No.
EA1.30.293	. . .	BRACKET, stop, elevator upper Attaching parts for EA1.30.293:—	1	—	10/27
AS1246/3C	. . .	Bolt, 2BA round head	4	—	10/31
AGS2001/C/1	. . .	Nut, stiff, 2BA	4	—	10/29
SP16/C	. . .	Washer, 2BA plain	4	—	10/20
EA1.30.383	. . .	CUP, sealing, elevator lock recess	2	L40	12/37
—	. . .	RIB, 3, AFT, ASSEMBLY (EA1.30.93) Spares for:—	—	—	12/8
EA1.30.407	. . .	LUG, attachment (Mod.4783)	1	S97	12/15
EA3.30.408	. . .	LUG, attachment (Mod.4783) Attaching parts for EA3.30.407 and EA3.30.408:—	1	S97	12/16
A60/4G	. . .	Bolt, 5/16" BSF hex, head	10	—	12/25
A58/GT	. . .	Nut, stiff, 5/16" BSF	10	—	12/20
SP125/G	. . .	Washer, packing	10	—	12/21
EK5.31.603	. . .	HINGE, ASSEMBLY, (Alt.R60/13) (Mod.5101) consisting of:—	1	—	10/19
SKEFCO					
CBA5	. . .	BALLRACE	1	—	10/14
AGS2030/57	. . .	CIRCLIP, internal, 50 mm	1	—	10/13
EA1.31.45	. . .	HOUSING, bearing	1	—	10/21
or					
EK5.31.605	. . .	HOUSING, bearing Attaching parts for EA1.31.307 and EK5.31.603:—	1	—	
A25/4G	. . .	Bolt, 5/16" hex. head	3	—	10/15
A27/GS	. . .	Nut, 5/16" BSF, slotted	3	—	10/10
SP90/C7	. . .	Pin, split	3	—	10/10A
EK5.31.604	. . .	HINGE, ASSEMBLY, (Alt.R60/13) (Mod.5101) Consisting of:—	1	—	10/20
SKEFCO					
CBA5	. . .	BALLRACE	1	—	10/14
AGS2030/57	. . .	CIRCLIP, internal 50 mm	1	—	10/13
EA1.31.46	. . .	HOUSING, bearing	1	—	10/22
or					
EK5.31.606	. . .	HOUSING, bearing Attaching parts for EA1.31.308 and EK5.31.604:—	1	—	
A25/4G	. . .	Bolt, 5/16" BSF hex. head	3	—	10/15
A27/GS	. . .	Nut, 5/16" BSF slotted	3	—	10/10
SP90/C7	. . .	Pin, split	3	—	10/10A

TAIL UNIT
TAILPLANE AND ELEVATORS

Ref. No.	Part No.	Description							No. off	Matl. Spec.	Cl. of Equip. M.R. L.M.	Fig. and Index
		1	2	3	4	5	6	7				
R	28M/4199627	A29/PP							4	—	C	
R	28M/4095930	A27/PP							4	—	C	
R	28M/1006939	A27/GP							8	—	C	
R		E.A3.30.469							8	BS7F1	LM	
R	5073	EEAS.65							1	L72	C	12/41
R		E.A3.30.471							2	L73	—	
R	38088	E.A1.30.389							1	—	C/MR	12/9
R												
R	38089	E.A1.30.390							1	—	C/MR	12/10
R												
R		E.A1.30.33							1	—	—	13/22
R												
R	5869	E.A3.30.145							4	S99	C	13/21
R		E.A1.30.263							2	S65	—	13/14
R		E.A1.30.265							2	S65	—	13/13
R	5020	E.A1.30.267							4	Alum.	C	13/15
R		AS.471/P							4	—	—	
R	28W/1207397	SP.125/P							4	—	C	
R		AS.471/R							4	—	—	
R	28W/1220799	SP125/S							4	—	C	
R	28W/9489335	SP124/G							8	—	C	

TAIL UNIT
TAILPLANE AND ELEVATORS

Ref. No.	Part No.	1 2 3 4 5 6 7	Description	No. off	Matl. Spec.	Cl. of Equip. M.R. L.M.	Fig. and Index

TAIL UNIT

TAILPLANE AND ELEVATORS

Part Number	Description	No. Off	Mati. Spec.	Plate No.
E.A1.30.371	. . . COLLAR	1	L56	10/1
E.A3.30.277	. . . PIN, tappet	1	L64	10/16
E.A1.30.369	. . . SPRING, compression	1	DT0215	10/7
E.B6.30.21	. . TAPPET, SWITCH ASSEMBLY (MOD.5229) Consisting of:—	1	—	10/8
E.B6.30.25	. . . BODY, tappet	1	—	10/12
E.A1.30.371	. . . COLLAR	1	—	10/17
E.B6.30.23	. . . PIN, tappet	1	—	10/3
AGS.502/1	. . . PIN, taper	1	—	10/18
E.B6.30.27	. . . SPRING, compression	1	—	10/9
E.A1.31.165	. . WASHER, special	2	L64	9/7
E.A1.31.361	. . WASHER, special	2	L72	11/21
—	. . TAILPLANE, SLOT IN SKIN FOR ULTRASONIC CHECKING OF SPAR, BOOM (E.A3.30.413-414) (MOD.5058) Spares for:—	—	—	
E.A3.30.415	. . . PLATE, attachment, 20 SWG	1	L73	
E.A3.30.416	. . . PLATE, attachment, 20 SWG	1	L73	
E.A3.30.417	. . . PLATE, attachment, 20 SWG	1	L73	
E.A3.30.419	. . . PLATE, attachment, 20 SWG	1	L73	
E.A3.30.420	. . . PLATE, attachment, 20 SWG	1	L73	
E.A3.20.421	. . . PLATE, attachment, 20 SWG	1	L73	

TAIL UNIT
TAILPLANE AND ELEVATORS

Part Number	Description 1 2 3 4 5 6	No. Off	Matl. Spec.	Plate No.

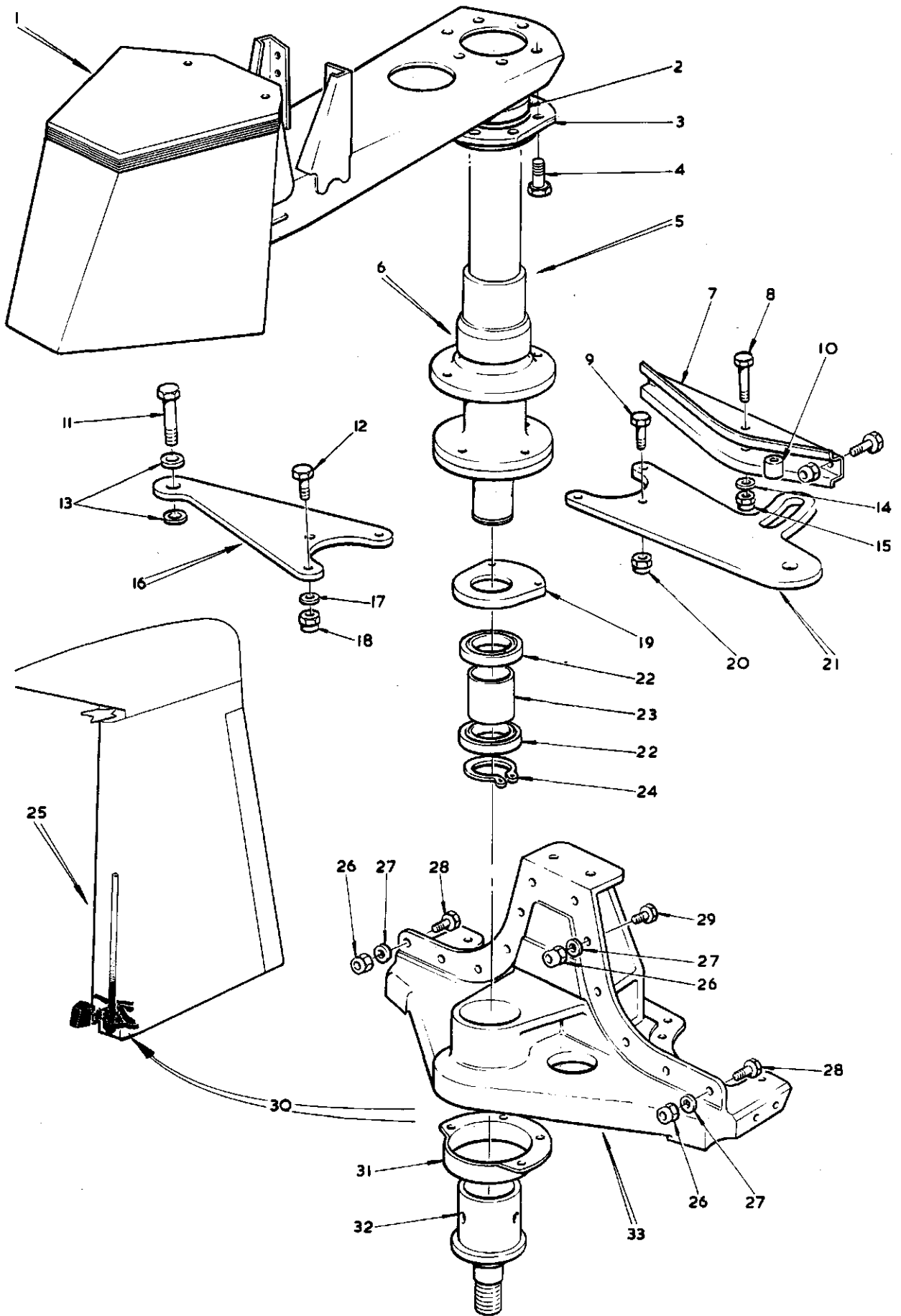


FIG. I RUDDER C/W TAB
Restricted

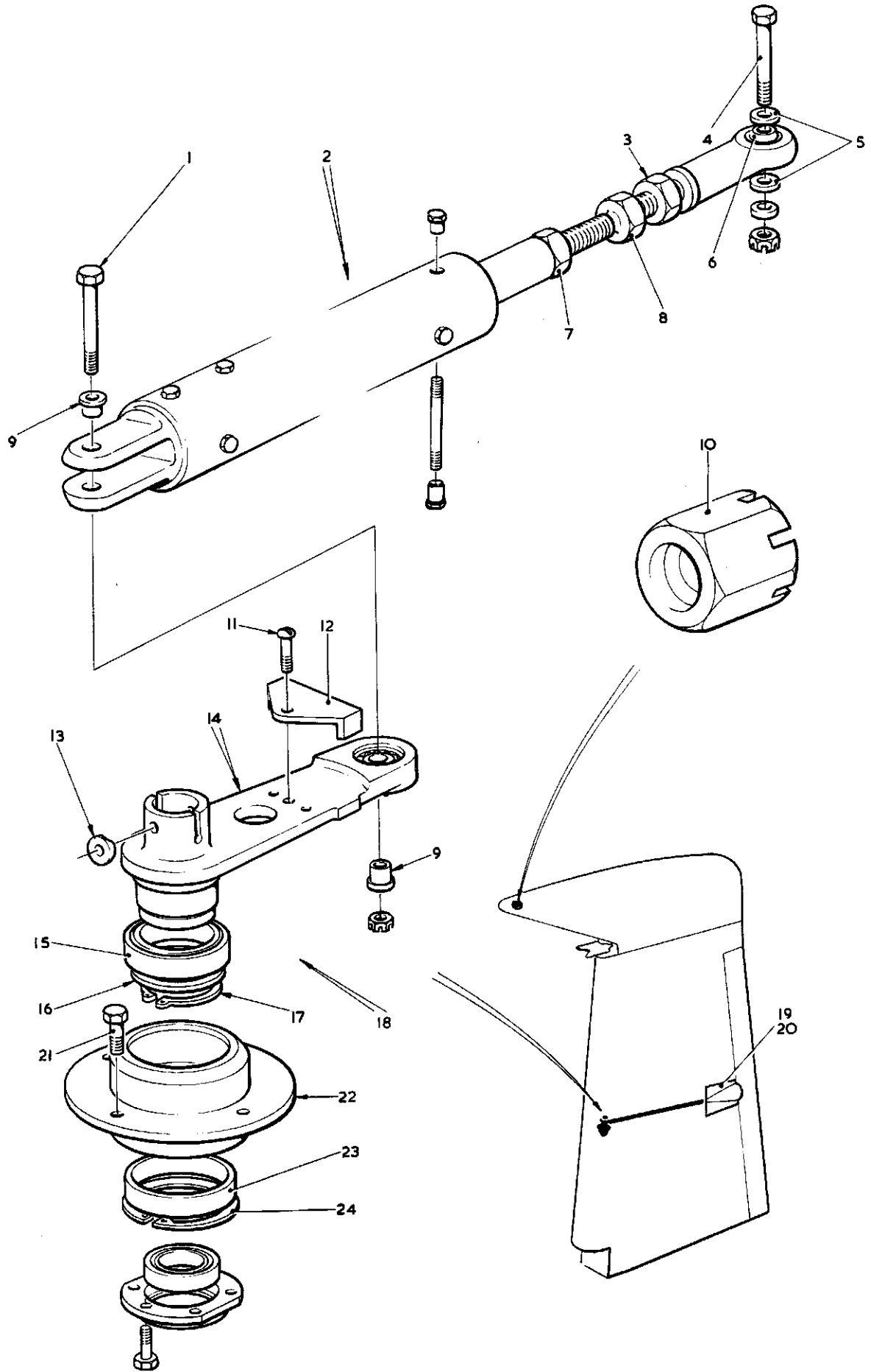


FIG 2. RUDDER C/W TAB

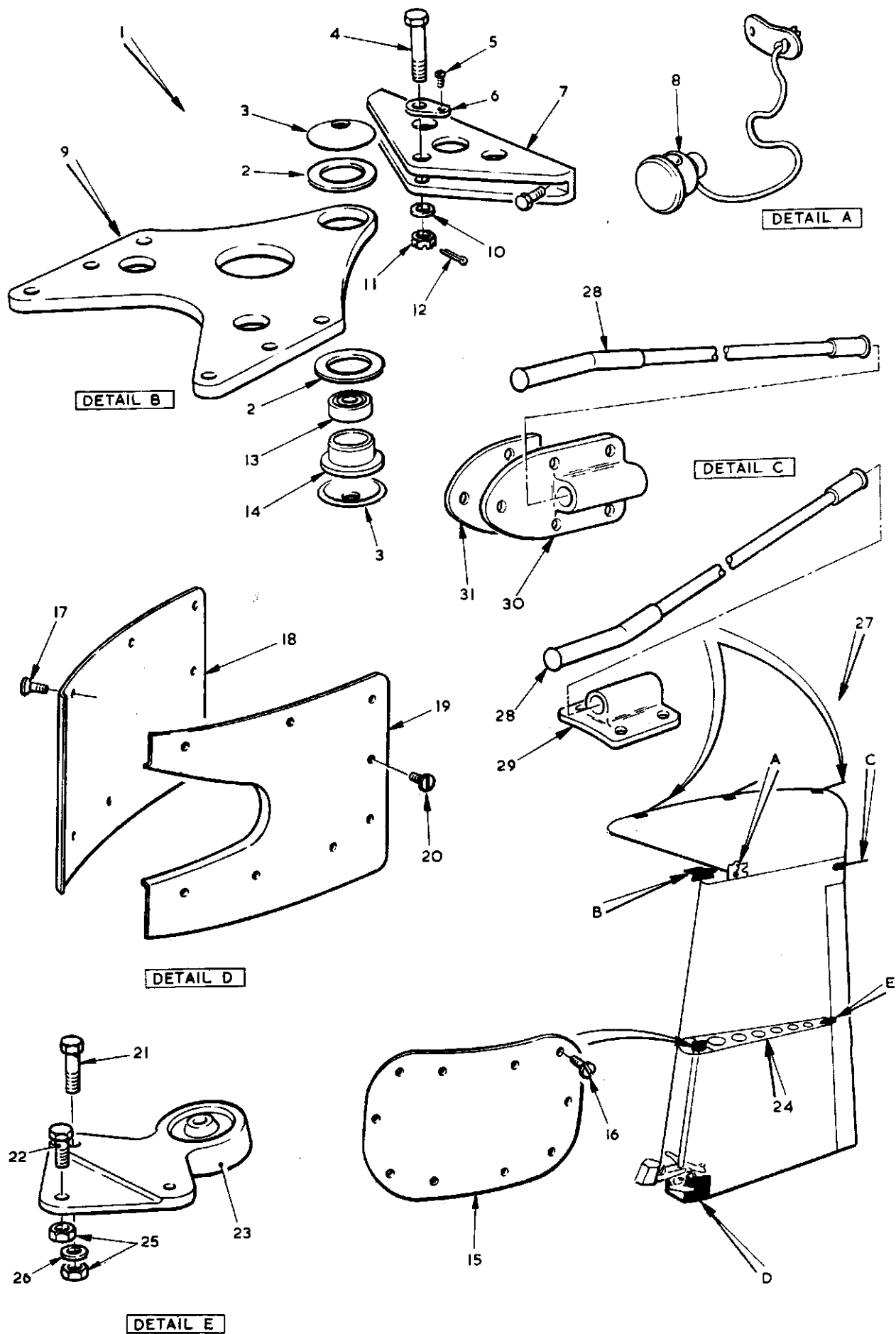


FIG. 3 RUDDER C/W TAB
Restricted

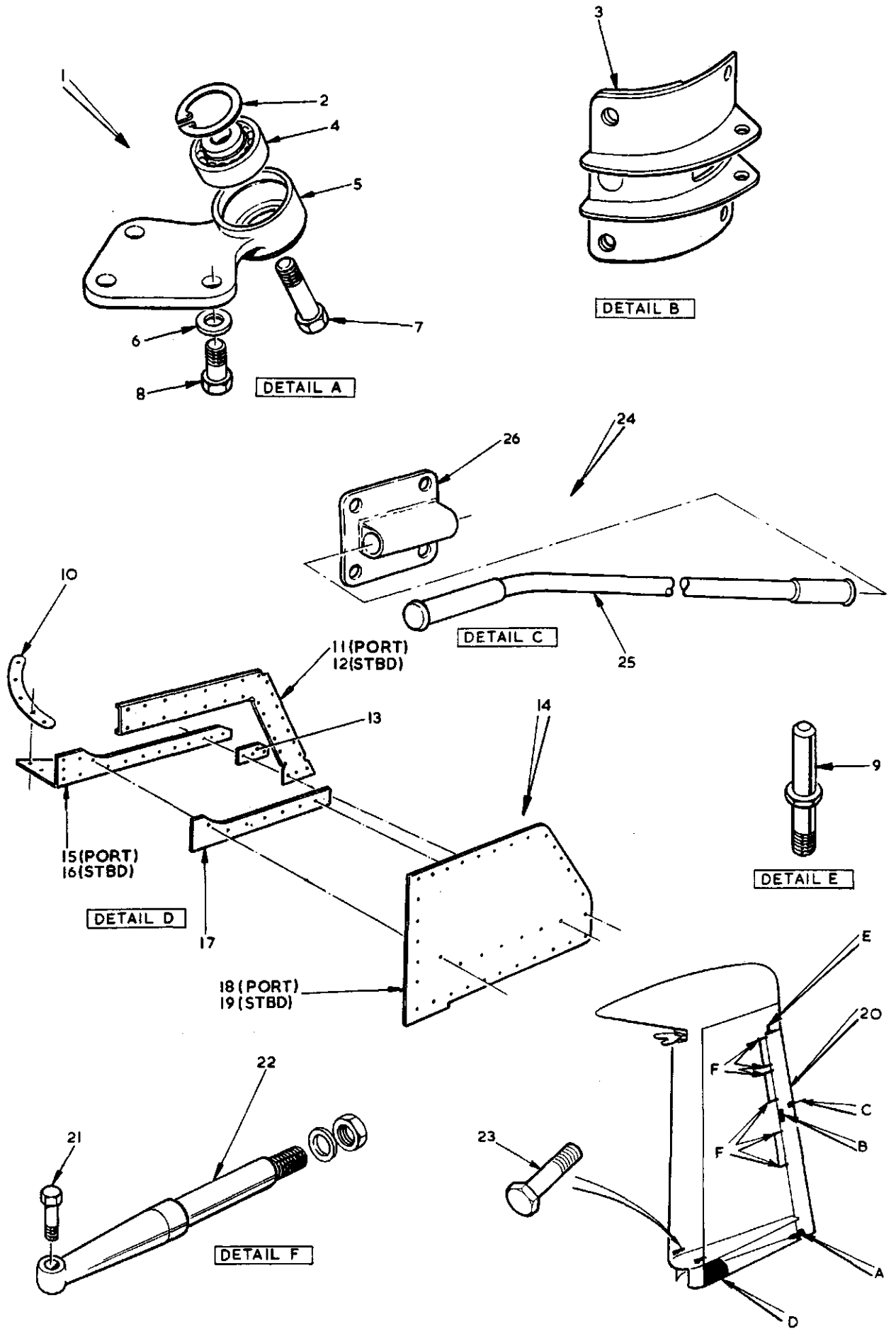


FIG. 4 RUDDER C/W TAB
Restricted

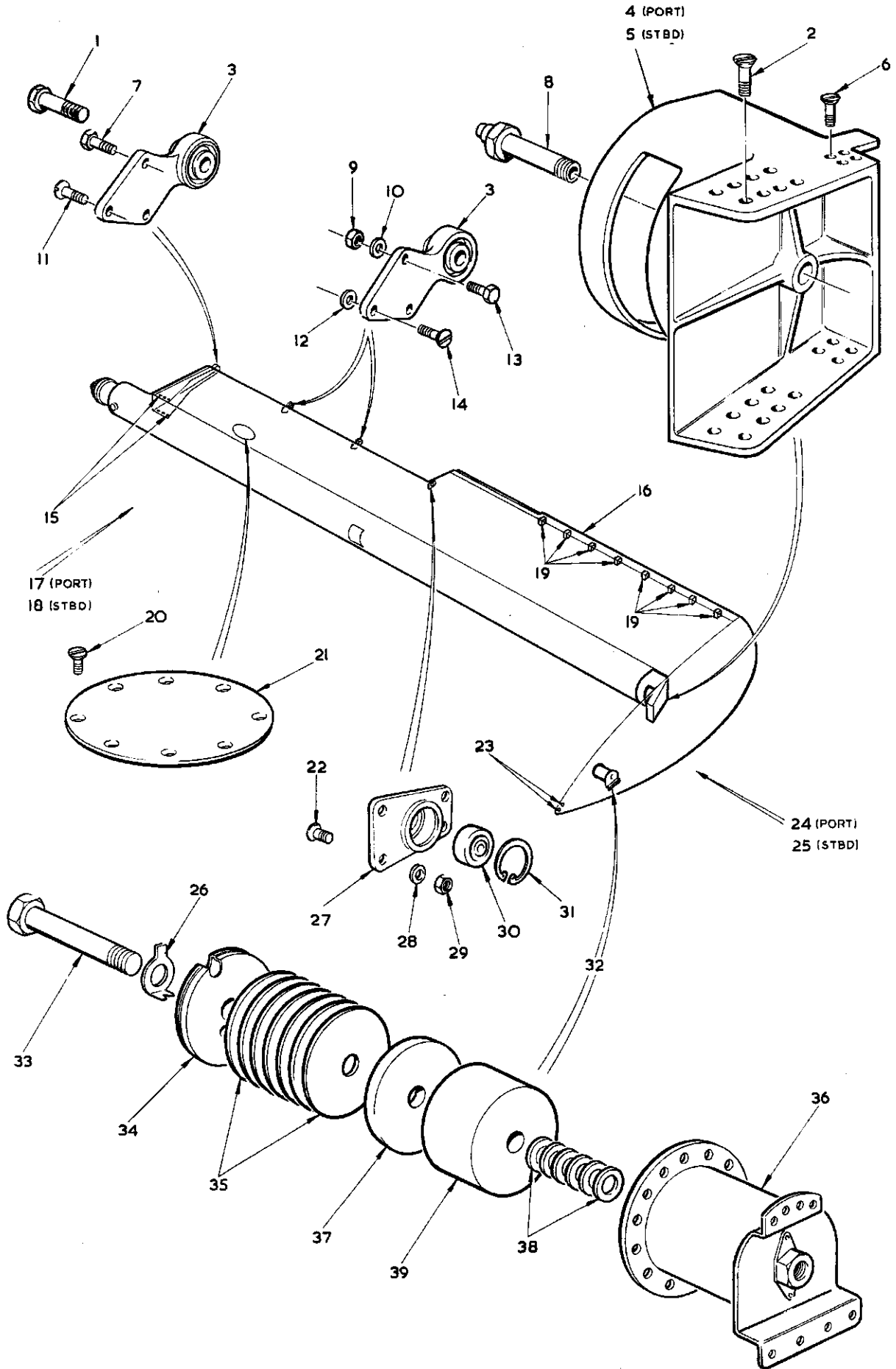


FIG 6 TAILPLANE AND ELEVATORS
Restricted

Restricted

AL8

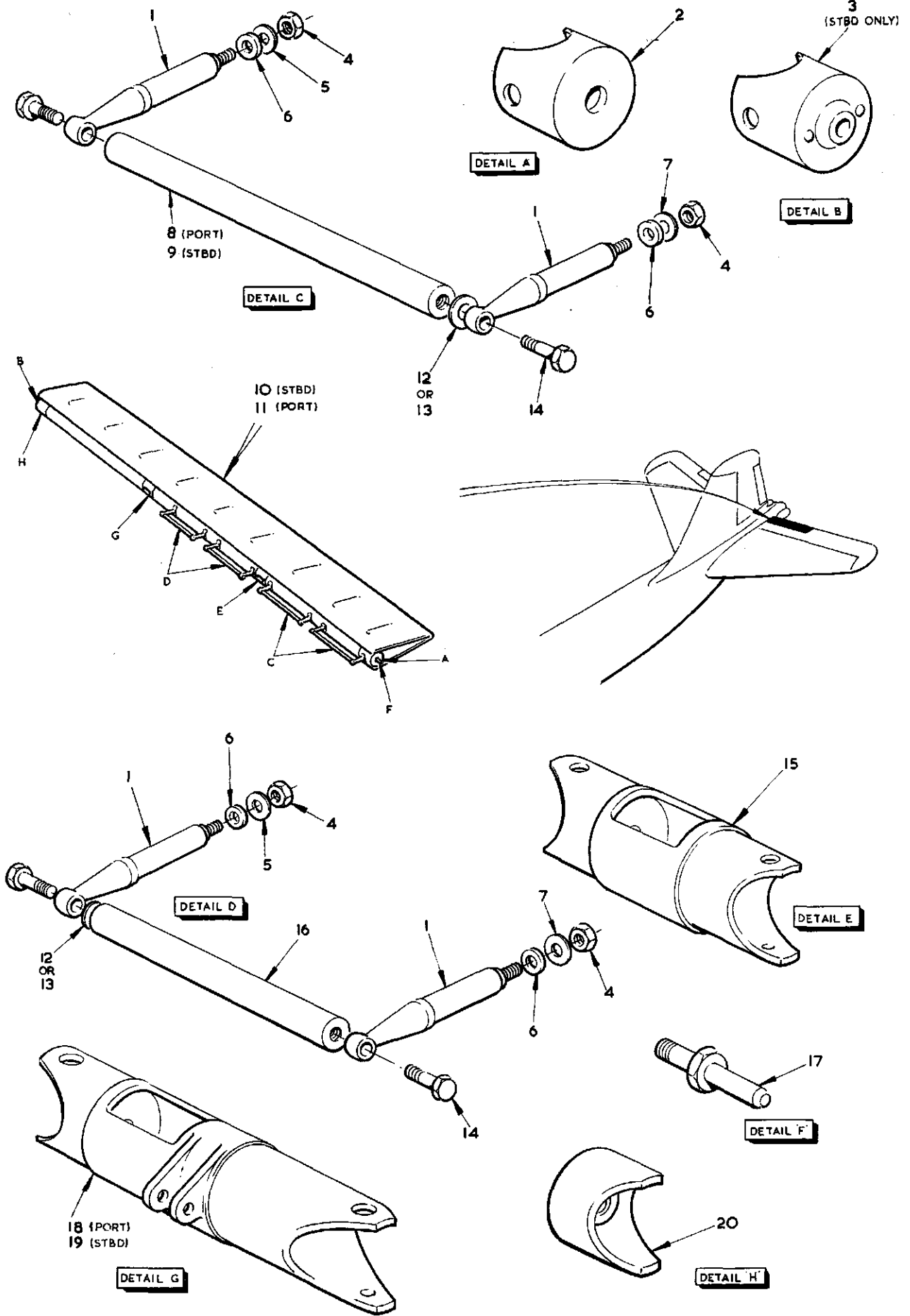


FIG 7. TAILPLANE AND ELEVATORS
Restricted

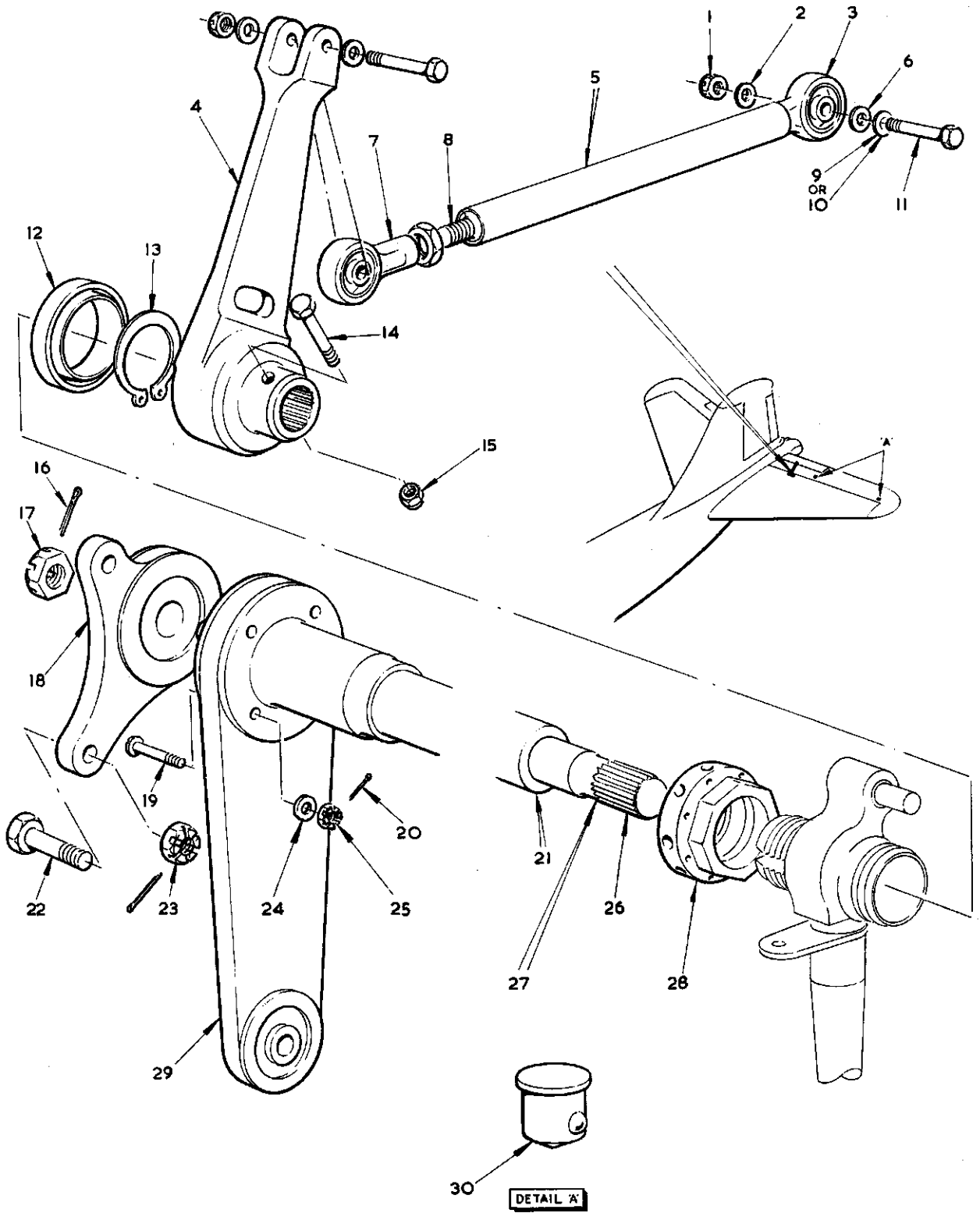


FIG 8. TAILPLANE AND ELEVATORS
Restricted

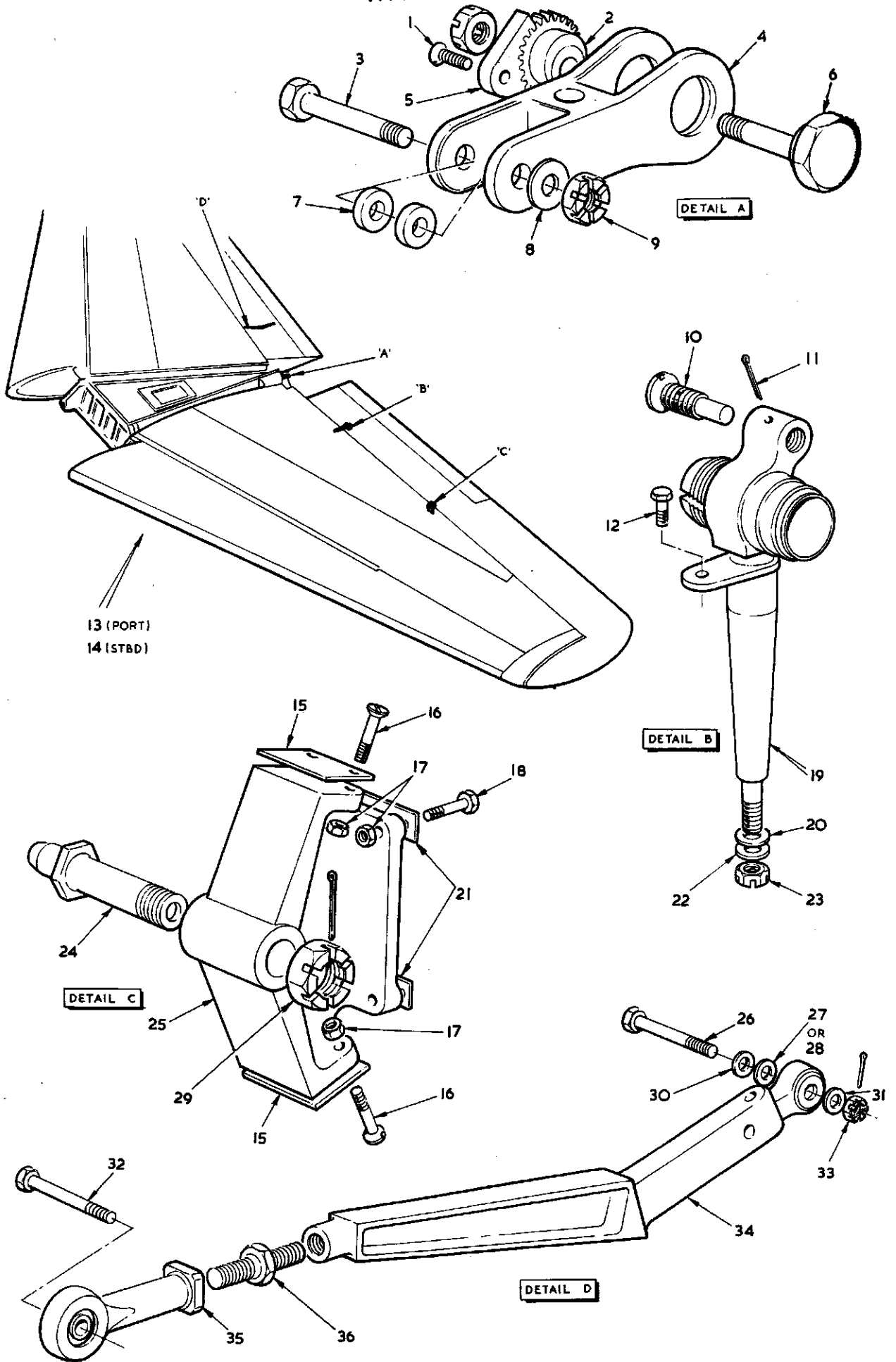


FIG 9. TAILPLANE AND ELEVATORS
Restricted

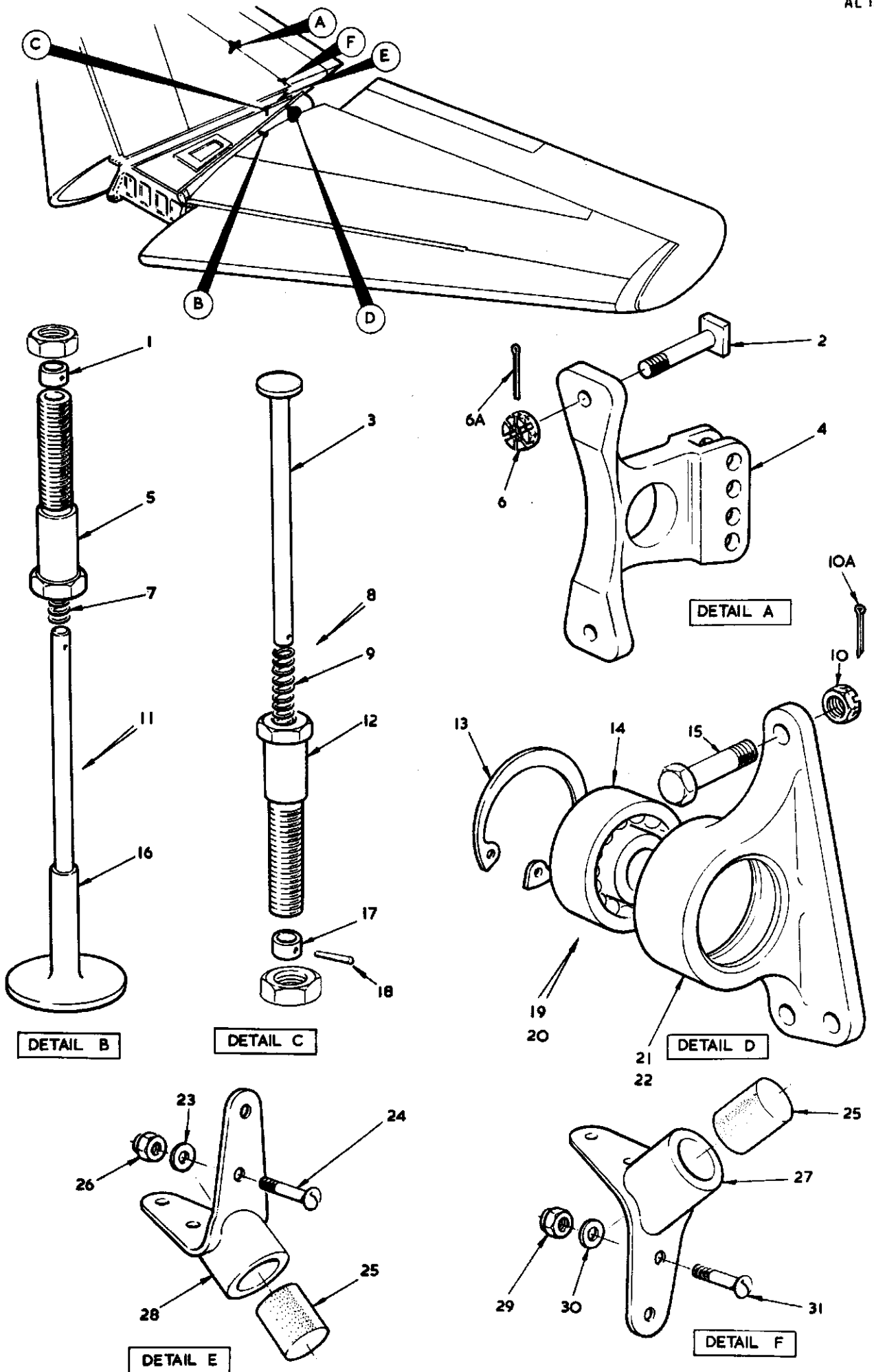


FIG 10 TAILPLANE AND ELEVATORS

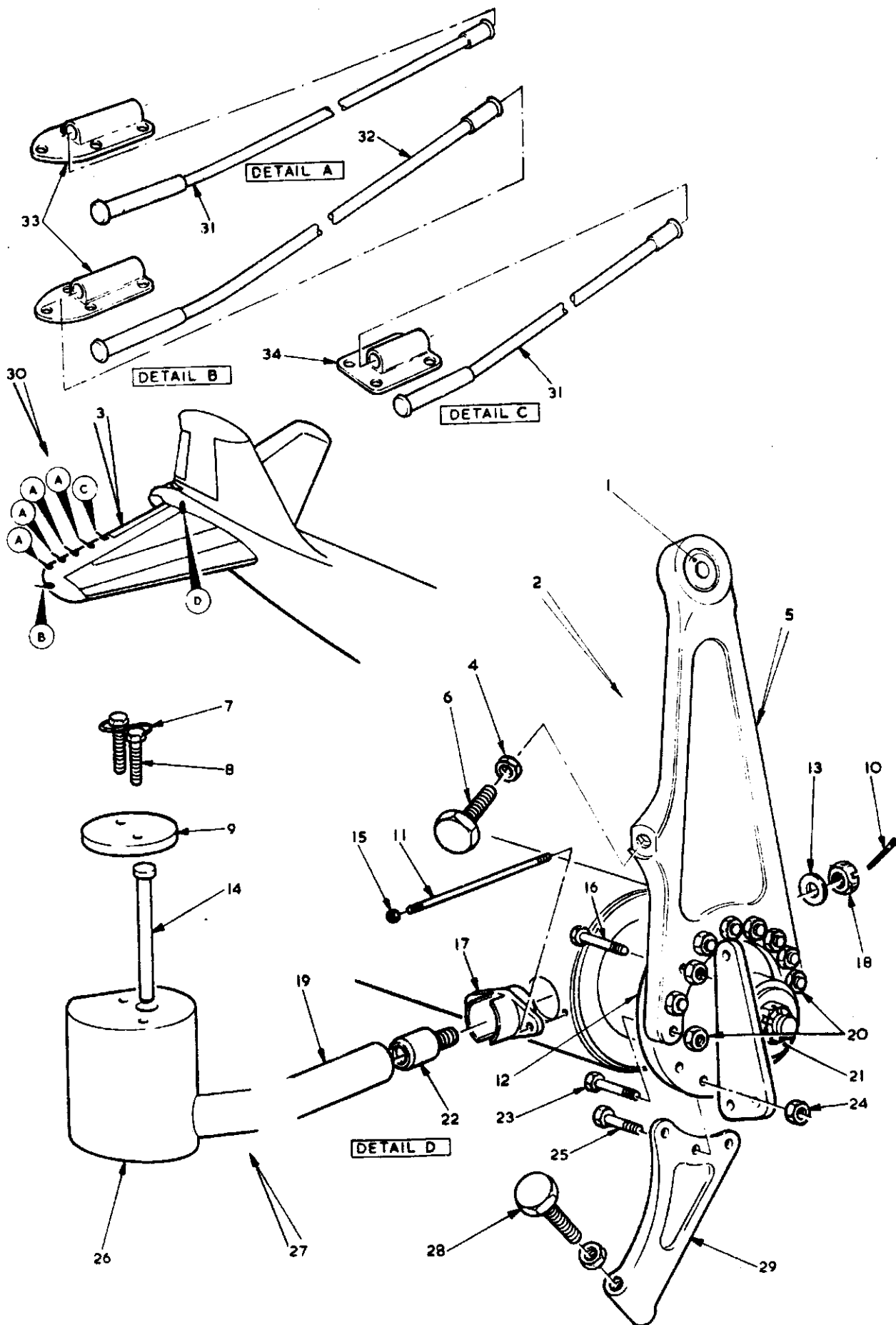


FIG. II TAILPLANE AND ELEVATORS

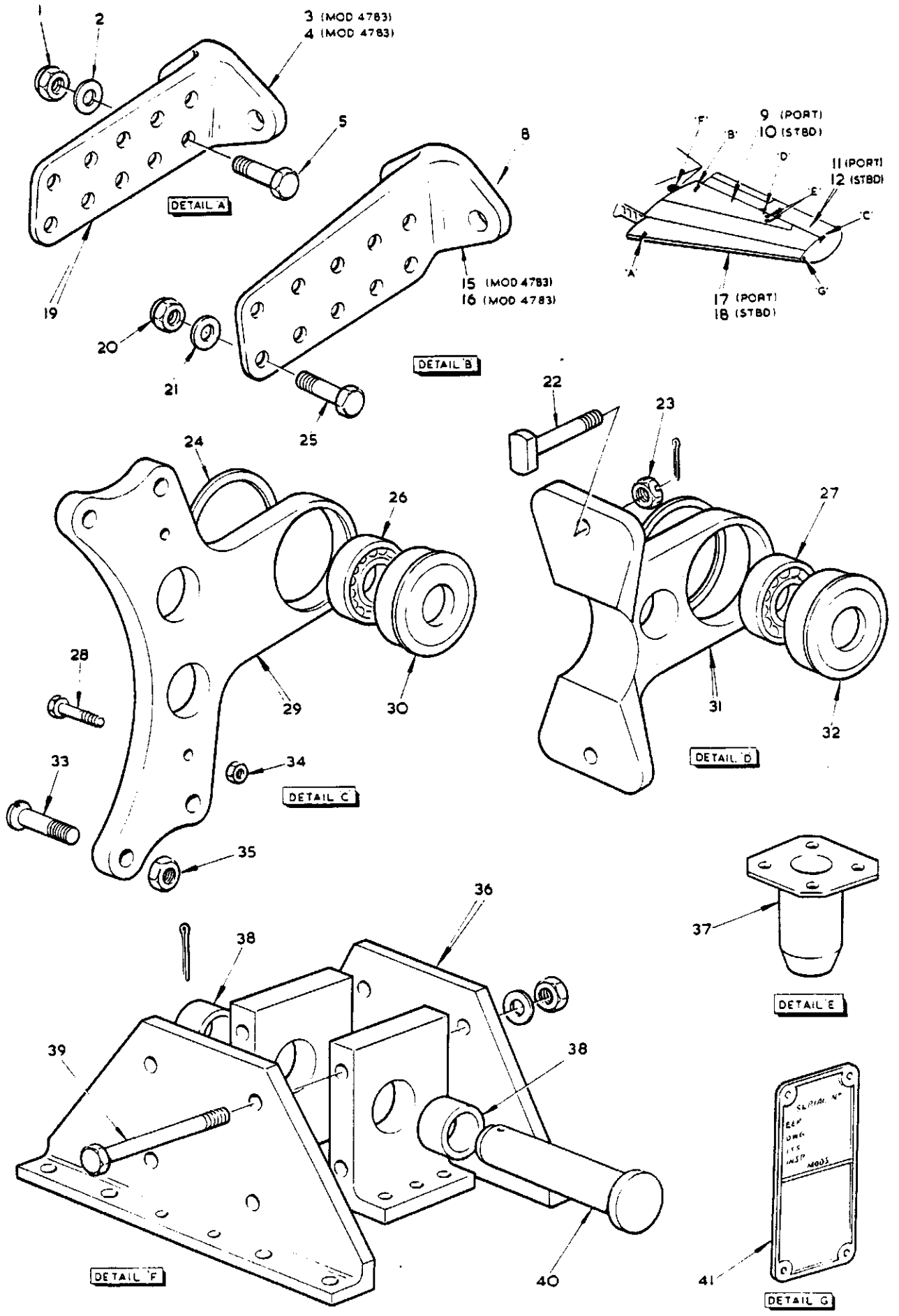


FIG.12 TAILPLANE AND ELEVATORS

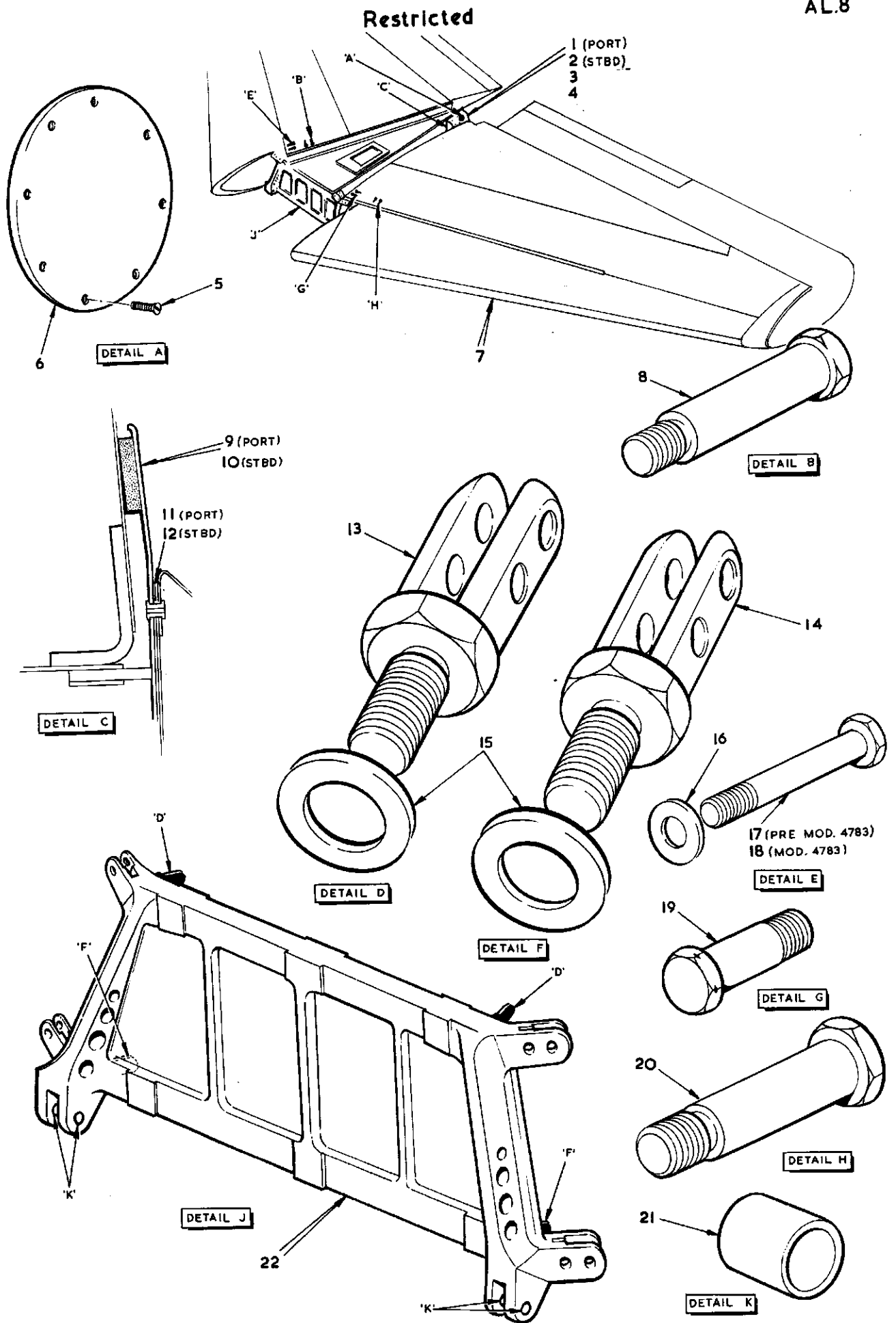


FIG.13 TAILPLANE AND ELEVATORS
Restricted

This file was downloaded
from the RTFM Library.
Link: www.scottbouch.com/rtfm

Please see site for usage terms,
and more aircraft documents.

