

SPARES FOR BOTH PORT AND STARBOARD ASSEMBLIES ARE IDENTICAL EXCEPT WHERE INDICATED

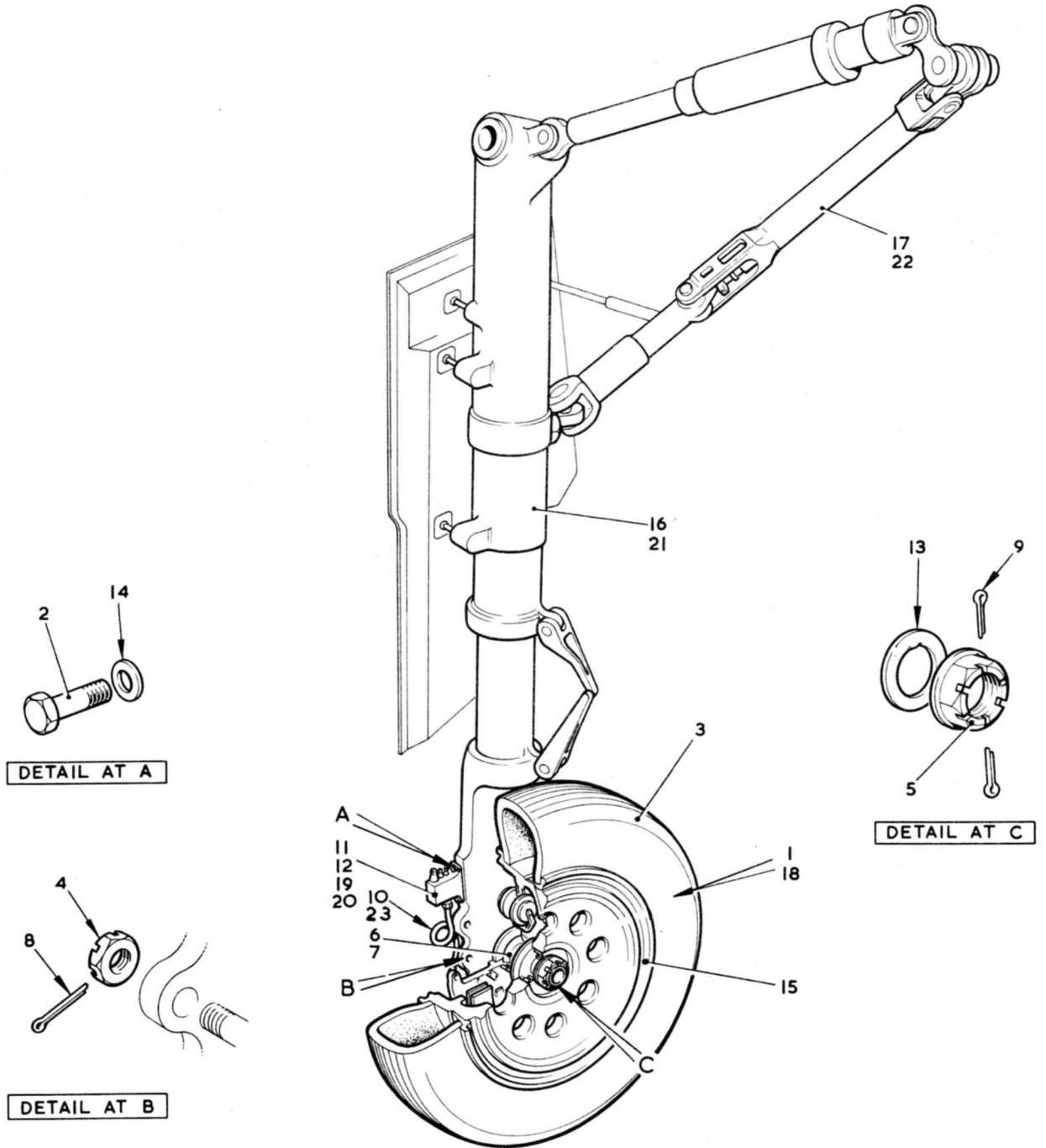


FIG. I MAIN UNDERCARRIAGE
Restricted

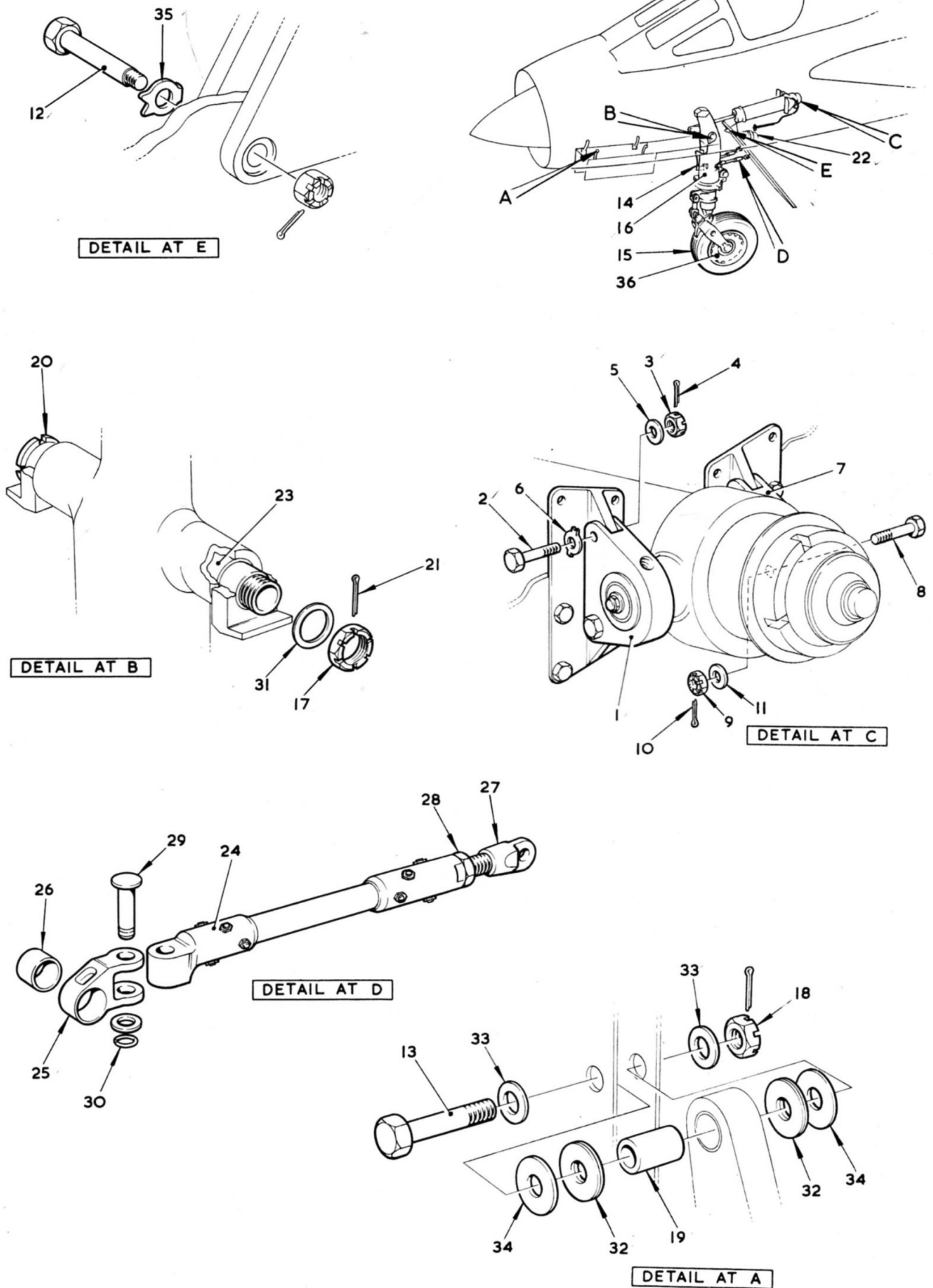


FIG.2 NOSE UNDERCARRIAGE
Restricted

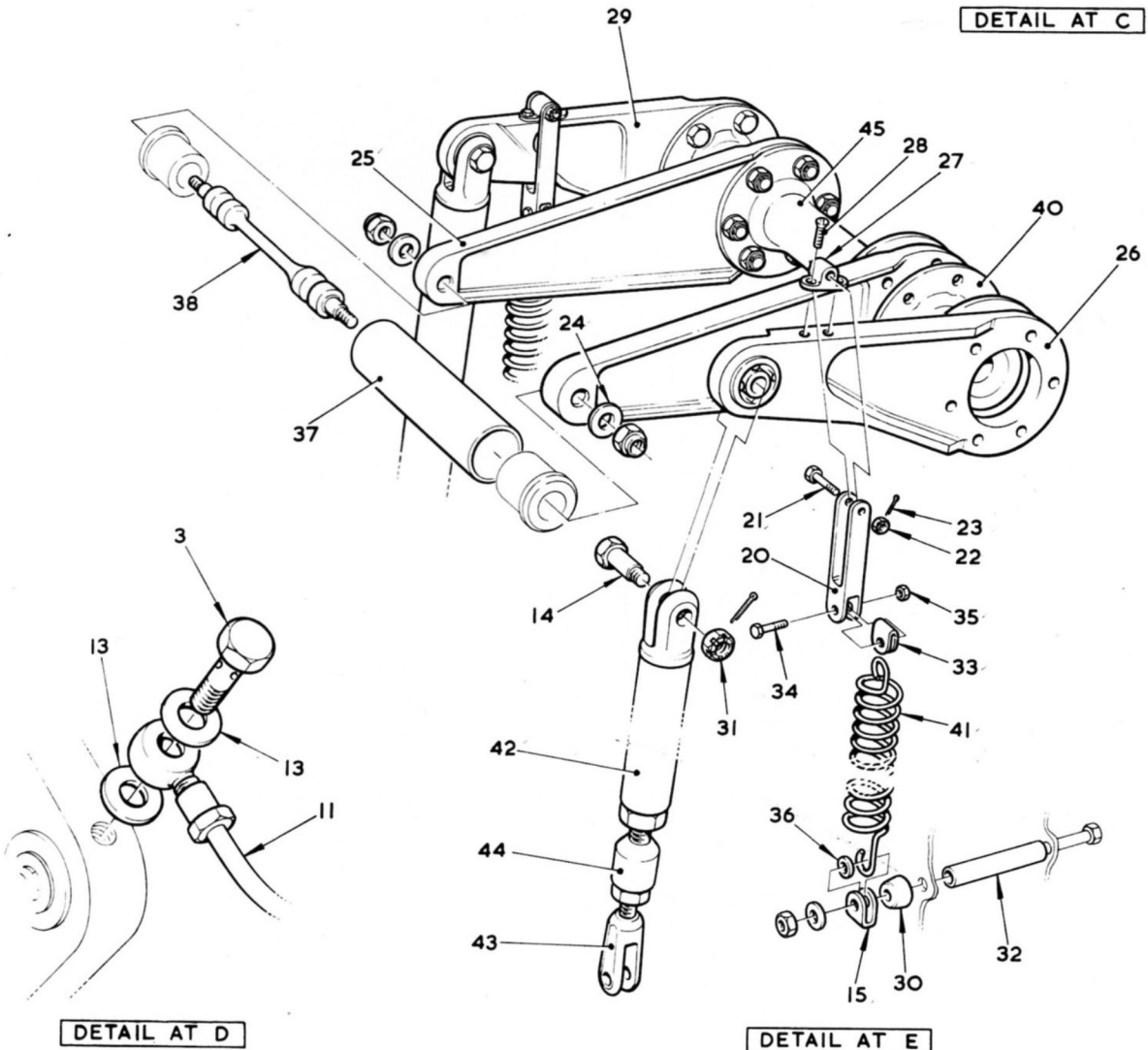
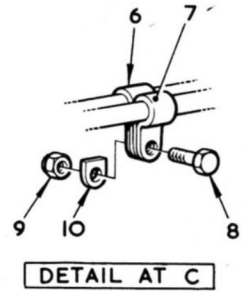
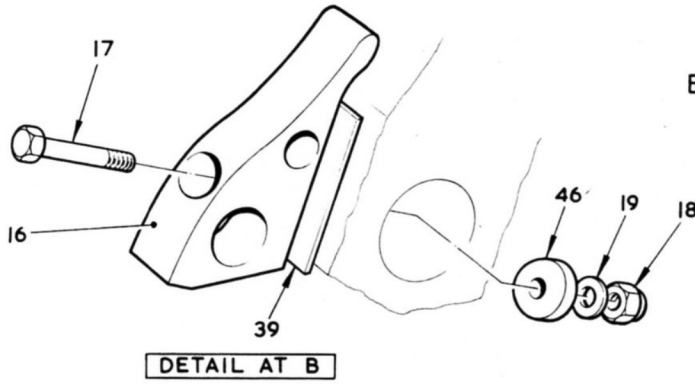
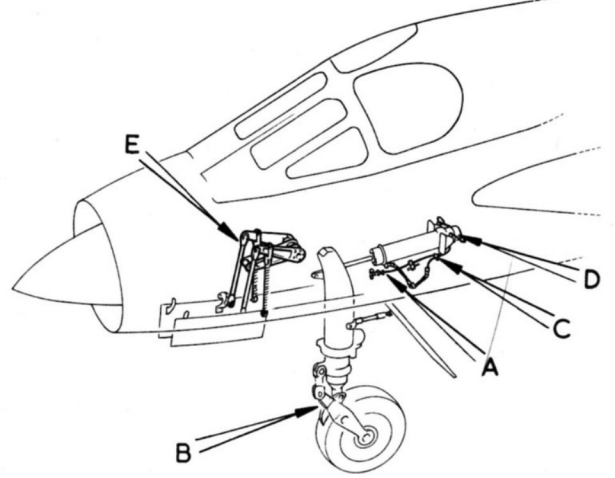
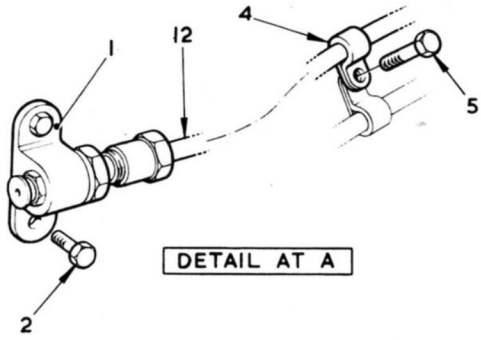
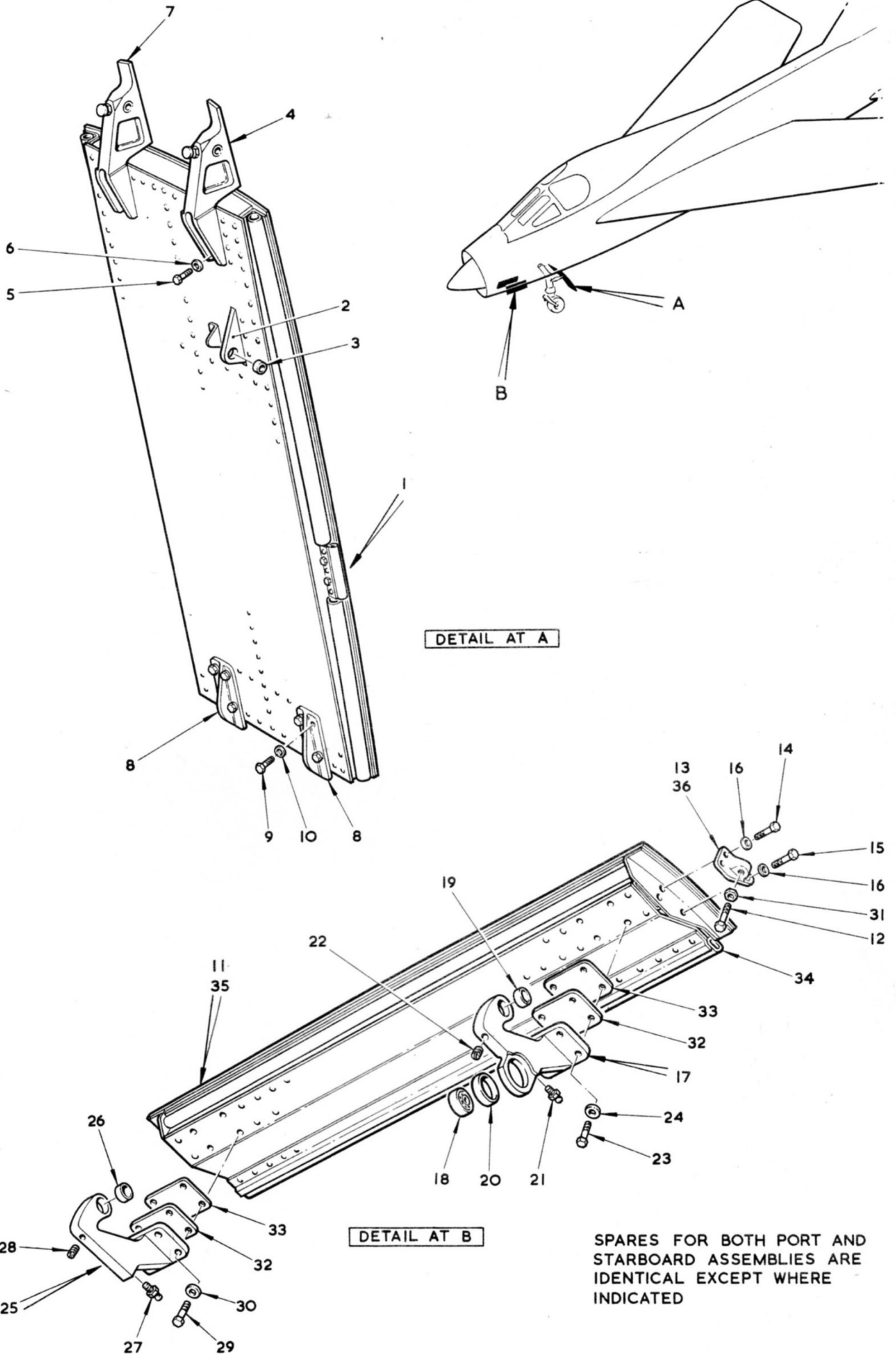


FIG.3 NOSE UNDERCARRIAGE
Restricted



SPARES FOR BOTH PORT AND STARBOARD ASSEMBLIES ARE IDENTICAL EXCEPT WHERE INDICATED

FIG. 4 NOSE UNDERCARRIAGE DOORS
Restricted