

UNDERCARRIAGE — MAIN FAIRING

Ref. No.	Part No.	Description	No. Off	Material Specification	M.R. Class of Store	Plate No.	
							1
—	D.187500-1	FAIRING, MAIN UNDERCARRIAGE, ASSEMBLY .....	—	—	—	—	
4219	F.191499	Bolt, banjo, for greaser pipe .....	2	—	C.	RB.1	
5188‡	E.204906	Dobr, wheel, port group (with trimming allowance) (Pre Mod. 432)	1	—	A.	RB.2	
7018‡	E.214862	Dobr, wheel, port group (with trimming allowance) (Mod. 432)	1	—	A.	RB.2	
5189‡	E.204907	Dobr, wheel, starboard group (with trimming allowance) (Pre Mod. 432)	1	—	A.	RB.2	
7017‡	E.214863	Dobr, wheel, starboard group (with trimming allowance) (Mod. 432)	1	—	A.	RB.2	
484	F.187537	Bolt, attachment of jack anchorage shackle .....	2	S.95.B	C.	RB.2	
4889	F.201476	Bolt, front and aft lock pin fittings .....	16	S.99.B	C.	RB.2	
8394	A.211328	Fitting, pin, aft lock, port ) (Mod. 314)	1	DTD.743	C.	RB.2	
8395	A.211329	Fitting, pin, aft lock, starboard ) (Mod. 314)	1	DTD.473	C.	RB.2	
8392	A.211326	Fitting, pin, front lock, port ) loose (Mod. 314)	1	DTD.473	C.	RB.2	
8393	A.211327	Fitting, pin, front lock, starboard ) (Mod. 314)	1	DTD.473	C.	RB.2	
491	C.178792	Hinge, door, port .....	1	—	C.	RB.2	
492	C.178793	Hinge, door, starboard .....	1	—	C.	RB.2	
5194	A.202797*	Lever, group (Pre Mod. 432) .....	2	—	B.	RB.2	
5772	F.202798	Bush .....	1	BSS.250	MR/C	RB.2	
	Std.1221/Y/D.75	Pin .....	1	S.2		4	
5773	F.201688	Roller .....	1	DTD.504	MR/C	RB.2	
5774	F.204197	Roller .....	1	L.65.C	MR/C	RB.2	
1508454	Std.914/E.22	Washer .....	1	—	C.	4	
29	7018	A.212601	Lever, group (Mod. 432) .....	2	—	C.	RB.2
	5772	F.202798	Bush .....	1	BSS.250	MR/C	RB.2
		Std.1221.Y.D85	Pin .....	1	S.2		4
	5773	F.201688	Roller .....	1	DTD.504	MR/C	RB.2
	8213	F.212691	Roller .....	1	L.65.C	MR/C	RB.2
	7886	F.214842	Plate, locking (Mod. 479) .....	2	L.72	C.	RB.2
	493	A.187533	Shackle, jack anchorage, port .....	1	—	C.	RB.2
	494	A.187534	Shackle, jack anchorage, starboard .....	1	—	C.	RB.2
	5775	F.201687	Tube, distance, at lever attachment .....	2	S.95.B	MR/C	RB.2
	4560	Std.914/J/20	Washer, for pin through channel .....	2	S.1	C.	4
	343	E.187463	Fairing, leg, port, group .....	1	—	A.	RB.1
	344	E.187464	Fairing, leg, starboard, group .....	1	—	A.	RB.1
	497	A.187467	Panel, access to locking pin attachment bolts .....	2	DTD.610	C.	RB.1
	498	A.170012	Pin, attachment of fairing links .....	2	S.1	C.	RB.1
	6101	A.208253	Pin, locking, port (Mod. 312) .....	1	—	C.	RB.1
	6102	A.208254	Pin, locking, starboard (Mod. 312) .....	1	—	C.	RB.1
	3927	Std.1208/75/32/70	Shm, at attachment of fairing .....	8	St. Steel	C.	4
	1534	F.187496	Washer, serrated, for lock pin .....	2	S.3	C.	RB.1
29	8056‡	D.187153* (Issue 7 and subsequent)	Fairing, wheel, port, group (with trimming allowance) (Pre Mod. 197) (Mk. 6 only)	1	—	A.	

RESTRICTED

Hunter F. Mk. 6  
Issued with A/L No. 29

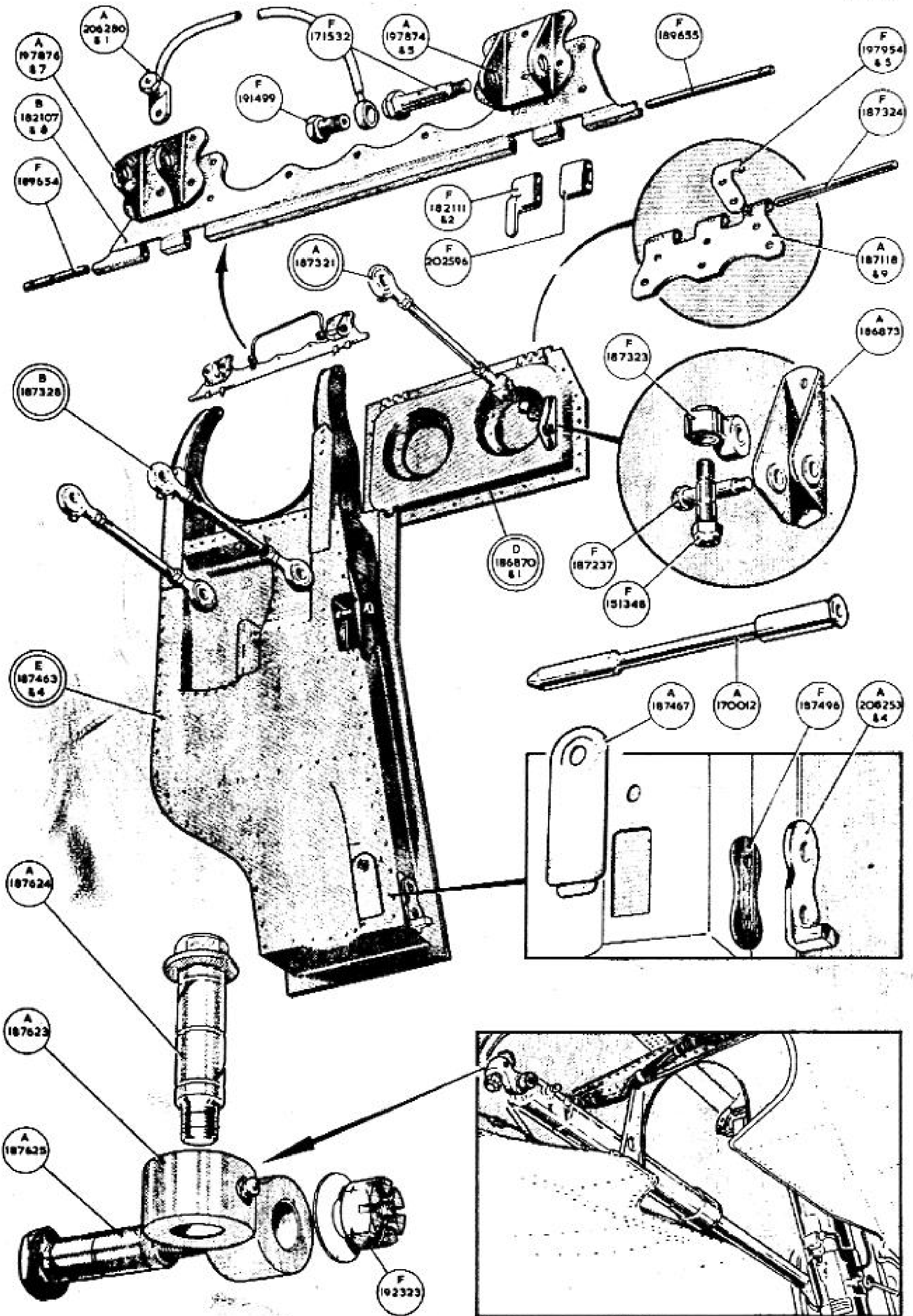
## UNDERCARRIAGE — MAIN FAIRING

Ref. No.	Part No.	Description	No. Off	Material Specification	M.R. Class of Store	Place No.	
							1
29	8057‡	D.187154* (Issue 7 and subsequent)	Fairing, wheel, starboard, group (with trimming allowance) (Pre Mod. 197) (Mk. 6 only)	1	—	A.	RB.2
	8189‡	D.215817	Fairing, wheel, port, group (with trimming allowance) (Mod. 197)	1	—	A.	
	8170‡	D.215818	Fairing, wheel, starboard, group (with trimming allowance) (Mod. 197)	1	—	A.	
	—	D.187156	DETAILS OF FAIRING, ASSEMBLY	—	—	—	
	503	F.151366	Bolt, fairing attachment to undercarriage leg bracket	8	S.1	C.	RB.2
	505	F.187218	Nut, clamp, fairing attachment to undercarriage leg bracket	8	S.92.B	C.	RB.2
	4671	B.203598	Panel, access, to brakes	2	L72	C.	RB.2
	509	F.151365	Plate, clamp, fairing attachment to undercarriage leg bracket	8	S.1	C.	RB.2
	510	A.173027	Plate, fixing, fairing attachment to undercarriage leg bracket	8	S.92.B	C.	RB.2
	511	F.151368	Sleeve, adjusting, fairing attachment to undercarriage leg bracket	8	S.2	C.	RB.2
	512	F.151367	Washer, fairing attachment to undercarriage leg bracket	8	L.16	C.	RB.2
29	6168	Hellermann G.2553	Grpmnt	2	—	C.	
	506	A.187178	Panel, access to bleeder screw	2	DTD.610	C.	RB.2
	507	A.187180	Panel, access to jacking plug, port	1	DTD.610	C.	RB.2
	508	A.187181	Panel, access to jacking plug, starboard	1	DTD.610	C.	RB.2
	341	D.186870	Flap, fairing, port, group (with trimming allowance)	1	—	B.	RB.1
	342	D.186871	Flap, fairing, starboard, group (with trimming allowance)	1	—	B.	RB.1
	513	F.187237	Bolt, attachment of link to bracket	2	S.95.B	C.	RB.1
	514	A.186873	Bracket, link	2	DTD.162	C.	RB.1
	515‡	A.187118	Hinge, front port, rear starboard	2	—	C.	RB.1
	516‡	A.187119	Hinge, front starboard, rear port	2	—	C.	RB.1
		B.182128	Hinge, flap and leg fairing, port, group	1	—	—	
		B.182129	Hinge, flap and leg fairing, starboard, group	1	—	—	
	3985	A.197874	Bracket, hinge, front, leg fairing, port	1	Stmpg.	C.	RB.1
	3986	A.197875	Bracket, hinge, front, leg fairing, starboard	1	Stmpg.	C.	RB.1
	3987	A.197876	Bracket, hinge, rear, leg fairing, port	1	Stmpg.	C.	RB.1
	3988	A.197877	Bracket, hinge, rear, leg fairing, starboard	1	Stmpg.	C.	RB.1
	9135	B.182107	Hinge, flap, port	1	—	MR/C	RB.1
	6957	B.182108	Hinge, flap, starboard	1	—	C.	RB.1
	549	F.182111	Link, flap, hinge, forward, port	2	S.2	C.	RB.1
	550	F.182112	Link, flap, hinge, forward, starboard	2	S.2	C.	RB.1
	6171	F.202598	Link, hinge, rear, port and starboard	4	Casting or S.95.B	C.	RB.1
	551	F.189654	Pin, flap, hinge, front, 3/16" dia. x 3.80" long	2	St.Stl.	C.	RB.1
	552	F.189655	Pin, flap, hinge, rear, 3/16" dia. x 3.35" long	2	St. Stl.	C.	RB.1
	6172	F.207897	Shjm, for hinge bracket	4	Lam. Alum.	C.	
	517	A.187321	Link, undercarriage fairing flap, group	2	—	C.	RB.1
	518	F.151348	Bolt, lubricating	1	S.94.B	C.	RB.1
	519	F.187323	Shackle	1	S.1	C.	RB.1
	520	B.187328	Unit, leg fairing, group	4	—	C.	RB.1
		A.187325	Bearing, rod end	1	—	—	
		A.187326	Bearing, rod end	1	—	—	
		A.187327	Rod, connecting	1	—	—	
	521	F.187324	Pin, hinge, fairing flap	2	S.3	C.	RB.1
	522	F.171532	Pin, hinge, leg fairing	4	S.95.B	C.	RB.1
	8299	A.206280	Pipe, greaser, port (Mod. 197)	1	—	C.	RB.1
	8300	A.206281	Pipe, greaser, starboard (Mod. 197)	1	—	C.	RB.1

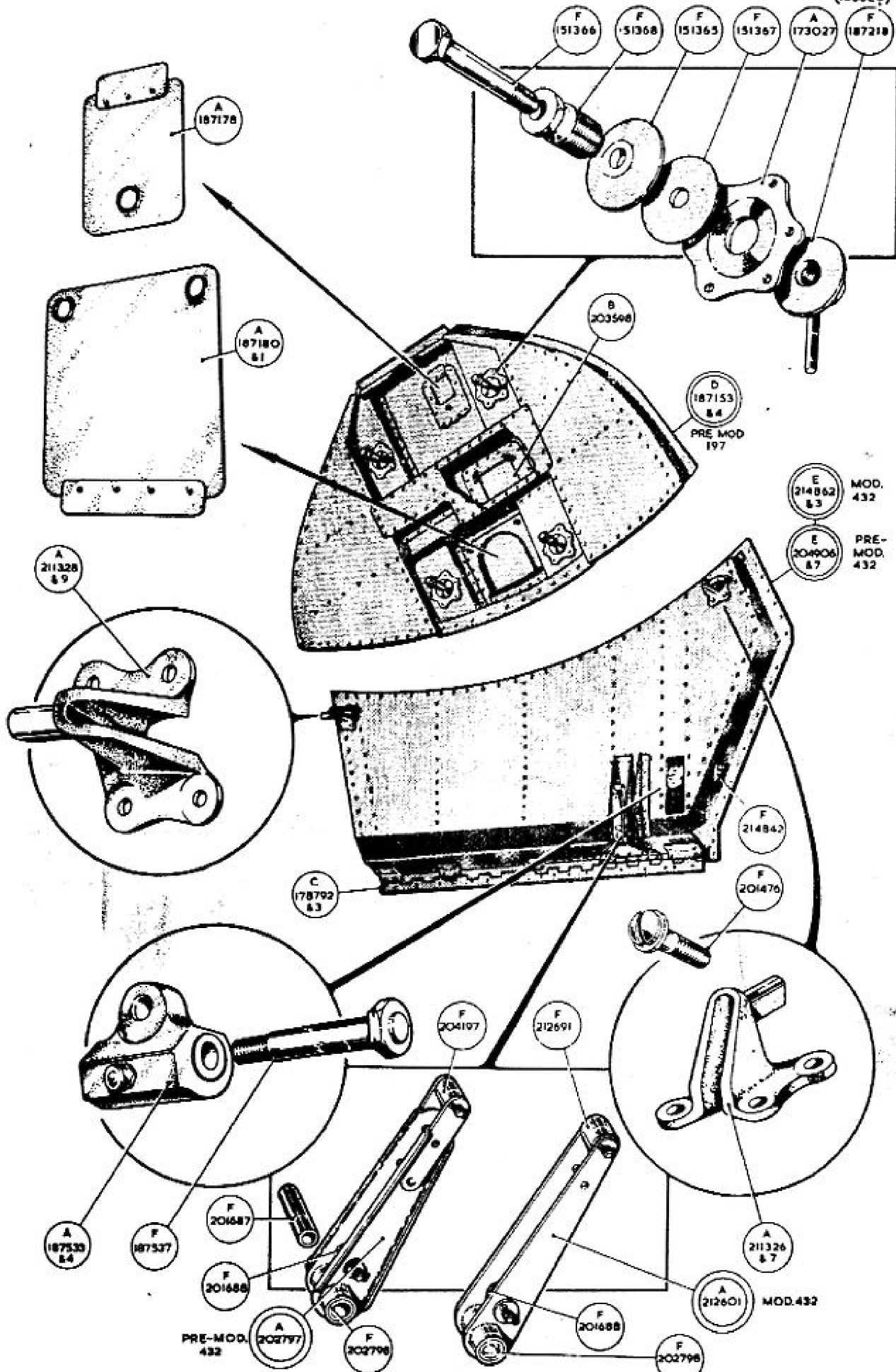
RESTRICTED

UNDERCARRIAGE—MAIN FAIRING

Ref. No.	Part No.	Description	No. Off	Material Specification	M.R. Class of Store	Place No.
3983	F.197954	Plate, fairing flap hinge pin retaining .....	2	DTD.610	C.	RB.1
3984	F.197955	Plate, fairing flap hinge pin retaining .....	2	DTD.610	C.	RB.1
31 27Q/4118311	Dowty SP.815/3	Seal, for greaser pipe banjo .....	4	—	C.	
4222	Std.915/U/18	Washer, for greaser pipe .....	2	DTD.610	C.	4



MAIN UNDERCARRIAGE



MAIN UNDERCARRIAGE

This file was downloaded  
from the RTFM Library.

Link: [www.scottbouch.com/rtfm](http://www.scottbouch.com/rtfm)

Please see site for usage terms,  
and more aircraft documents.

