

## FUSELAGE

## FRONT PORTION

Issued with A.L. No. 14

REF. No.	PART NUMBER	DESCRIPTION	No. OFF	MATL. SPEC.	CL. OF ST.	PLATE No.
					N.R. L.M.	
		1 2 3 4 5				
	1807/23A	<b>FUSELAGE ASSY, FRONT STRUCTURE</b> (Spares Condition)	1	-	MR	
		<b>G.A. OF FRONT FUSELAGE</b> (1810/1A and 1810/1A/UN) (Mod. 679) Spares for:-				
	1810/4215	ANGLE, port, frame 9C .....	1	-	MR	JB.22
	1810/4216	ANGLE, starboard, frame 9C .....	1	-	MR	JB.22
	1810/4817A	ANGLE assy, port coaming, between frame 6 and 7 .....	1	-	MR	JB.33
	1810/4817A/UN	ANGLE assy, port coaming, between frame 6 and 7 .....	1	-	MR	-
	1810/4818A	ANGLE assy, starboard coaming, between frame .....	1	-	MR	JB.33
	1810/4818A/UN	ANGLE assy, starboard coaming, between frame .....	1	-	MR	-
		Spares for:-				
28M/9144673	AGS.2019-C1	NUT, anchor .....	1	-	C	-
6972	FOS.44/3	NUT, anchor .....	1	-	MR/C	-
-	1810/6641A	ANGLE assy, port coaming, frame 6 and 8 (Mod. 324) .....	1	-	MR	JB.33
-	1810/6642A	ANGLE assy, starboard coaming, frame 7 and 8 .....	1	-	MR	JB.33
		(Mod. 324)				
	1810/5871A	ANGLE assy, fire extinguisher mounting .....	1	-	MR	JB.30
	1810/5871A/UN	ANGLE assy, fire extinguisher mounting .....	1	-	MR	-
	1810/5873	ANGLE assy, fire extinguisher mounting .....	1	-	MR	JB.30
	1810/323	ANGLE, attachment, port, rear seat, support .....	1	-	MR	JB.30
	1810/324	ANGLE, attachment, starboard, rear seat support .....	1	-	MR	JB.30
	1810/329	ANGLE, attachment, port, rear seat support .....	1	-	MR	JB.30
	1810/330	ANGLE, attachment, starboard, rear seat support .....	1	-	MR	JB.30
		Attachment parts for 1810/329 and 330:-				
8114	Tucker Eyelet Co. AD.56R	Rivet, "Imex" .....	A/R	-	C	-
	1810/1781	ANGLE, mounting, port, forward of frame 6 .....	1	-	MR	JB.33
		ATTACHMENT ASSY, LOWER, REAR SEAT, PORT (1810/5973A and 5973A/UN) (Mod. 84)				
		ATTACHMENT ASSY, LOWER, REAR SEAT, STARBOARD (1810/5974A and 5974A/UN) (Mod. 84)				
		Spares for:-				
		ANGLE assy (1810/5971A and 5971A/UN) (Mod. 84)				
		Spares for:-				
	1810/5971B	ANGLE (Mod. 84) .....	1	-	MR	JB.22
28M/9434251	AGS.2008-B1	NUT, anchor .....	1	-	C	-
6961	FOS.41/2	NUT, anchor .....	1	-	MR/C	-
	1810/5972	ANGLE (Mod. 84) .....	1	-	MR	JB.22
1077	1816/53A	BRACKET assy, guide, port .....	1	-	MR/C	JB.22
7384	1816/53A/UN	BRACKET assy, guide, port .....	1	-	MR/C	-
		Spares for:-				
1174	1816/149	ROLLER .....	2	-	MR/C	JB.22
		Attachment parts for 1816/149:-				
28M/9416046	A.103-ET	Nut .....	2	-	C	-
1176	1816/147	Spindle, roller .....	1	-	MR/C	JB.22
28M/9418921	SP.13-E	Washer .....	1	-	C	-
28W/17666	SP.122-E	Washer .....	1	-	C	-
28W/9419405	SP.15-E	Washer .....	1	-	C	-
28W/17427	SP.124-E	Washer .....	1	-	C	-

FUSELAGE

FRONT PORTION

Issued with A.L. No. 18

REF. No.	PART NUMBER	DESCRIPTION	No. OFF	MATL. SPEC.	CL. OF ST.	PLATE No.		
					M.R. L.M.			
		1 2 3 4 5						
18	4030	1816/475	ROLLER	1	-	MR/C	JB. 22	
	9633	1816/475/UN	ROLLER	1	-	MR	-	
			Attachment parts for 1816/475 and 475/UN:-					
	28D/7002428	A.25-6C	Bolt	1	-	C	-	
	28DU/9419468	A.102/6D	Bolt	1	-	C	-	
	28M/1006473	A.27-CT	Nut	1	-	C	-	
	28M/9419540	A.103-DT	Nut	1	-	C	-	
	28W/9419475	SP.15-C	Washer	1	-	C	-	
	28W/9457834	SP.124-D	Washer	1	-	C	-	
			Attachment parts for 1816/53A and 53A/UN:-					
		1810/5949	Angle, throat (Mod. 84)	2	-	MR	JB.22	
	28D/1011240	A.25-5E	Bolt	4	-	C	-	
	28DU/9414343	A.102-4E	Bolt	4	-	C	-	
	28M/12928	A.27-EP	Nut	4	-	C	-	
	28M/9414136	A.103-EP	Nut	4	-	C	-	
	1080	1810/1291	Shim	2	-	MR/C	JB. 22	
	28W/9418921	SP.13-E	Washer	4	-	C	-	
		1816/1075A/1	BRACKET assy, guide, rear, starboard	1	-	B	JB.22	
	1816/1075A/UN/1	BRACKET assy, guide, rear, starboard	1	-	MR/B	-		
		Spares for:-						
		PLATE assy, mounting (1816/2369A) (Mod. 511)	-	-	-	-		
		Spares for:-						
18	1483722	1816/2369C	CLIP	-	-	-	JB.22	
		1516/1253A	SOCKET	-	-	-	JB.22	
	1174	1816/149	ROLLER	2	-	MR/C	JB.22	
			Attachment parts for 1816/149:-					
	28M/9416046	A.103-ET	Nut	3	-	C	-	
	7595	1816/1125/1	Piece, distance (Mod. 511)	2	-	MR/C	JB.22	
	1483720	1816/2373	Spindle, roller (Mod. 511)	2	-	MR/C	JB.22	
	28W/9418921	SP.13-E	Washer	2	-	C	-	
	28W/17666	SP.122-E	Washer	2	-	C	-	
	28W/9419405	SP.15-E	Washer	1	-	C	-	
	28W/17427	SP.124-E	Washer	1	-	C	-	
	18	4030	1816/475	ROLLER	1	-	MR/C	JB.22
			1816/475/UN	ROLLER	1	-	MR	-
				Attachment parts for 1816/4-5:-				
		28D/7002428	A.25-6C	Bolt	1	-	C	-
		28DU/9419468	A.102-6D	Bolt	1	-	C	-
		28M/1006473	A.27-CT	Nut	1	-	C	-
		28M/9419540	A.103-DT	Nut	1	-	C	-
28W/9419475		SP.15-C	Washer	1	-	C	-	
28W/9457834		SP.124-D	Washer	1	-	C	-	
			Attachment parts for 1816/1075A and 1075A/UN:-					
		1810/5949	Angle, throat (Mod. 84)	2	-	MR	JB.22	
28D/12542		A.25-2E	Bolt	2	-	C	-	
28DU/9414343		A.102/4E	Bolt	2	-	C	-	
28D/1011242		A.25-7E	Bolt	2	-	C	-	
28DU/9414346		A.102-7E	Bolt	2	-	C	-	

**FUSELAGE**

**FRONT PORTION**

Issued with A.L. No. 13

REF. No.	PART NUMBER	DESCRIPTION	No. OFF	MATL. SPEC.	CL. OF ST.	PLATE No.
					M.R. L.M.	
		1 2 3 4 5				
28M/12928	A.27-EP	Nut .....	4	—	C	—
28M/9414136	A.103-EP	Nut .....	4	—	C	—
1080	1810/1291	Shim .....	2	—	MR/C	JB.22
28W/9418921	SP.13-E	Washer .....	4	—	C	—
	1810/5973B	BRACKET, rear seat, port (Mod. 84) .....	1	—	MR	JB.22
	1810/5974B	BRACKET, rear seat, starboard (Mod. 84) .....	1	—	MR	JB.22
	1810/4811	CHANNEL, port .....	1	—	MR	JB.22
	1810/4812	CHANNEL, starboard .....	1	—	MR	JB.22
28M/9435067	AGS.2008-C1	NUT, anchor .....	1	—	C	—
6960	FOS.41/1	NUT, anchor .....	1	—	MR/C	—
	1810/5973C	PACKING (Mod. 84) .....	2	—	MR	JB.22
		Attachment parts for 1810/5973-4A and 5973-4A/UN:—				
8110	Tucker Eyelet Co. AD.42R	Rivet, "Imex" .....	A/R	—	C	—
8111	Tucker Eyelet Co. AD.44R	Rivet, "Imex" .....	A/R	—	C	—
8112	Tucker Eyelet Co. AD.46R	Rivet, "Imex" .....	A/R	—	C	—
	1810/5999A	BEAM assy, seat support (Mod. 84) (Pre-mod. 208) .....	1	—	MR	—
	1810/5999A/UN	BEAM assy, seat support (Pre-mod. 208) .....	1	—	MR	—
	1810/6873A	BEAM assy, seat support (Mod. 208) .....	1	—	MR	JB.22
		Spares for:—				
	1810/4691	BRACKET .....	1	—	MR	JB.22
	1810/4427A	BRACKET assy, mounting, main for starboard rear console support strut (Pre-mod. 208) .....				
	1810/4427/A/UN	BRACKET assy, mounting, main for starboard rear console support strut (Pre-mod. 208) .....	1	—	MR	JB.22
	1810/6871A	BRACKET assy, mounting, main for starboard rear console support strut (Mod. 208) .....	1	—	MR	JB.22
		Spares for:—				
6927	FOS.22/P1	CLEAT .....	1	—	MR/C	—
7564	FOS.23/X	CLEAT (Pre-mod. 208) .....	1	—	MR/C	—
28M/9144673	AGS.2019-C1	NUT, anchor .....	2	—	C	—
28M/9438471	A.158-D	NUT, anchor .....	2	—	C	—
	1810/4425	BRACKET, mounting .....	1	—	MR	JB.22
	1810/4553	CLEAT .....	1	—	MR	JB.22
6856	FOS.8/1	CLEAT .....	1	—	MR/C	—
6857	FOS.8/3	CLEAT .....	1	—	MR/C	—
28M/9434253	AGS.2007-B1	NUT, anchor .....	2	—	C	—
6960	FOS.41/1	NUT, anchor .....	2	—	MR/C	—
28M/9435067	AGS.2008-C1	NUT, anchor .....	4	—	C	—
6960	FOS.41/1	NUT, anchor .....	4	—	MR/C	—
1483739	1810/7003	TUBE, guide (Mod. 511) .....	1	—	C	JB.22
	1810/6607	BLOCK, tufnol, port (Mod. 324) .....	1	—	MR	JB.28
	1810/6608	BLOCK, tufnol, starboard (Mod. 324) .....	1	—	MR	JB.28
6943	FOS.30/1	BOLT .....	6	—	MR/C	—
7020	FOS.56/1	BOLT .....	6	—	MR/C	—
5824	FOS.30/2	BOLT .....	10	—	MR/C	—
7021	FOS.56/2	BOLT .....	10	—	MR/C	—
6948	FOS.33/1	BOLT .....	2	—	MR/C	—
6949	FOS.33/4	BOLT .....	1	—	MR/C	—
	1810/4239A	BRACKET assy, port, between frame 6 and 7 .....	1	—	MR	JB.33
	1810/4239A/UN	BRACKET assy, port, between frame 6 and 7 .....	1	—	MR	—

FUSELAGE  
FRONT PORTION

Issued with A.L. No. 13

REF. No.	PART NUMBER	DESCRIPTION	No. OFF	MATL. SPEC.	CL. OF ST.	PLATE No.
					M.R. L.M.	
		1 2 3 4 5				
		Spares for:—				
28M/9144673	AGS.2019-C1	NUT, anchor .....	2	—	C	—
28M/9438471	A.158-D	NUT, anchor .....	2	—	C	—
	1810/4241A	BRACKET assy, starboard, between frame 6 and 7 .....	1	—	MR	JB.33
	1810/4241A/UN	BRACKET assy, starboard, between frame 6 and 7 .....	1	—	MR	—
		Spares for:—				
28M/9144673	AGS.2019-C1	NUT, anchor .....	2	—	C	—
28M/9438471	A.158-D	NUT, anchor .....	2	—	C	—
		BRACKET assy, starboard, frame 7 (1810/4361A and 4361A/UN) (Pre-mod. 679)				
		Spares for:—				
	1810/4361B	BRACKET .....	1	—	MR	JB.33
28M/9435067	AGS.2008-C1	NUT, anchor .....	1	—	C	—
6963	FOS.41/4	NUT, anchor .....	1	—	MR/C	—
1483737	1810/4473A/1	BRACKET assy, starboard, frame 9 .....	1	—	MR	JB.31
1483738	1810/4473A/UN/1	BRACKET assy, starboard, frame 9 .....	1	—	MR	—
		Spares for:—				
28M/9435067	AGS.2008-C1	NUT, anchor .....	1	—	C	—
6963	FOS.41/4	NUT, anchor .....	1	—	MR/C	—
28M/9144673	AGS.2019-C1	NUT, anchor .....	1	—	C	—
		Spares for:—				
28M/9638471	A.158-D	NUT, anchor .....	1	—	C	—
	1810/1670A	BRACKET assy, coaming, starboard .....	1	—	MR	JB.15
		Spares for:—				
6927	FOS.22/P1	BRACKET .....	1	—	MR/C	JB.31
5236	1810/2191A	BRACKET assy, for interconnection rods .....	1	—	MR	JB.31
	1810/2191A/1	BRACKET assy, for interconnection rods (Mod. 114) ..	1	—	MR	JB.31
	1810/2191A/UN/1	BRACKET assy, for interconnection rods (Mod. 114) ..	1	—	MR	—
		Spares for:—				
7736	1810/6321	PAD, bearing (Mod. 114) .....	1	—	MR/C	JB.31
		Attachment parts for 1810/2191A, 2191A/1 and 2191A/UN/1:—				
28D/9133011	A.25-2C	Bolt .....	2	—	C	—
28D/9419967	A.102-2D	Bolt .....	2	—	C	—
28M/10328	AGS.2002-C1	Nut .....	2	—	C	—
6956	FOS.40/4	Nut .....	2	—	MR/C	—
28W/9419475	SP.15-C	Washer .....	2	—	C	—
28W/9457834	SP.124-D	Washer .....	2	—	C	—
		BRACKET assy, for interconnection rods, starboard (1810/2197A and 2197A/UN)				
		Spares for:—				
2614	1810/2195	BRACKET .....	1	—	MR	JB.30
	1810/1853	PAD, bearing .....	2	—	MR/C	JB.20
		Attachments for 1810/1297A and 2197A/UN:—				
28D/9133011	A.25-2C	Bolt .....	2	—	C	—
28DU/9419967	A.102-2D	Bolt .....	2	—	C	—
28M/10328	AGS.2002-C1	Nut .....	2	—	C	—
6956	FOS.40/4	Nut .....	2	—	MR/C	—
28M/9419475	SP.15-C	Washer .....	2	—	C	—
28W/9457834	SP.124-D	Washer .....	2	—	C	—

## FUSELAGE

## FRONT PORTION

Issued with A.L. No. 13

REF. No.	PART NUMBER	DESCRIPTION	No. OFF	MATL. SPEC.	CL. OF ST.	PLATE No.
					M.R. L.M.	
		1 2 3 4 5				
	1810/4297A	BRACKET assy, mounting	1	—	MR	—
		Spares for:—				
	1871/403	LABEL	1	—	MR	JB.30
‡7150	1810/5537A	BRACKET assy, mounting	1	—	MR/C	JB.30
‡7151	1810/5537A/UN	BRACKET assy, mounting	1	—	MR/C	—
		Spares for:—				
28M/9435067	AGS.2008-C1	NUT, anchor	1	—	C	—
6963	FOS.41/4	NUT, anchor	1	—	MR/C	—
28M/9144673	AGS.2019-C1	NUT, anchor	2	—	C	—
6972	FOS.44/3	NUT, anchor	2	—	MR/C	—
		BRACKET assy, mounting, for zero reader (1810/4359A and 4359A/UN)	—	—	—	—
		Spares for:—				
	1810/4359B	BRACKET	1	—	MR	JB.30
28M/9434251	AGS.2008-B1	NUT, anchor	2	—	C	—
6961	FOS.41/2	NUT, anchor	2	—	MR/C	—
28M/9144673	AGS.2019-C1	NUT, anchor	1	—	C	—
6972	FOS.44/3	NUT, anchor	1	—	MR/C	—
		BRACKET assy, mounting, front, tail parachute control (1810/4783A)	—	—	—	—
		Spares for:—				
	1810/4783B	BRACKET	1	—	MR	JB.30
	1847/391ND	BRACKET	1	—	MR	JB.30
	1348/651ND	BLOCK, packing	1	—	MR	JB.30
	1810/4615A	BRACKET assy, mounting for hot and cold air control	1	—	MR	JB.31
	1810/4615A/UN	BRACKET assy, mounting for hot and cold air control	1	—	MR	—
		Spares for:—				
28M/12421	AGS.2018-C1	NUT, anchor	3	—	C	—
6972	FOS.44/3	NUT, anchor	3	—	MR/C	—
	1810/1699A	BRACKET assy, mounting, lever	1	—	MR	JB.30
		Spares for:—				
5248	1345/1639	BEARING	1	—	MR/C	JB.30
‡5255	1810/4753A	BRACKET assy, mounting, pulley	1	—	MR/C	JB.31
		Spares for:—				
28DU/19115	AS.6736-3D	BOLT	1	—	C	—
	1810/4009A	BRACKET assy, mounting, teleflex swivel assy, front cockpit, starboard, frame 7 (Pre-mod. 679)	1	—	MR	JB.31
	1810/4009A/UN	BRACKET assy, mounting, teleflex swivel assy, front cockpit, starboard, frame 7 (Pre-mod. 679)	1	—	MR	—
		Spares for:—				
28M/9435067	AGS.2008-C1	NUT, anchor	2	—	C	—
6963	FOS.41/4	NUT, anchor	2	—	MR/C	—
6850	FOS.6-1/8	TAG, wire-locking	1	—	MR/C	—
	1810/4455A	BRACKET assy, outboard, port frame 10	1	—	MR	JB.31
		Spares for:—				
28N/13511	Hoffman C.J.1	JOINT, self-aligning	1	—	C	JB.31
		Attachment parts for 1810/4455A:—				
8112	Tucker Eyelet Co. AD.46R	Rivet, "Imex"	A/R	—	C	—

RESTRICTED

FUSELAGE  
FRONT PORTION

Issued with A.L. No. 13

REF. No.	PART NUMBER	DESCRIPTION	No. OFF	MATL. SPEC.	CL. OF ST.	PLATE No.
					M.R. L.M.	
		1 2 3 4 5				
‡7207	1810/3625A	BRACKET assy, tail parachute control guard, front cockpit, port, between frames 6 and 7	1	—	MR/C	JB.33
‡5256	1810/3625A/UN	BRACKET assy, tail parachute control guard, front cockpit, between frames 6 and 7 Spares for:—	1	—	MR/C	—
28M/12421	AGS.2018-C1	NUT, anchor	2	—	C	—
28M/9438469	A.157-D	NUT, anchor	2	—	C	—
‡7208	1810/3627A	BRACKET assy, tail parachute control guard, front cockpit, between frames 6 and 7	1	—	MR/C	JB.33
‡5257	1810/3627A/UN	BRACKET assy, tail parachute control guard, front cockpit, between frames 6 and 7 Spares for:—	1	—	MR/C	—
28M/12421	AGS.2018-C1	NUT, anchor	2	—	C	—
6972	FOS.44/3	NUT, anchor	2	—	MR/C	—
	1810/1669	BRACKET, coaming, port	1	—	MR	JB.15
	1810/1671	BRACKET, coaming, port	1	—	MR	JB.15
	1810/1672	BRACKET, coaming, starboard	1	—	MR	JB.15
	1810/771	BRACKET, joint, windscreen, port	1	—	MR	JB.31
	1810/772	BRACKET, joint, windscreen, starboard	1	—	MR	JB.31
		BRACKET assy, joint, windscreen (1810/771-2A/UN) Spares for:—				
	1810/771B	BRACKET, port	1	—	MR	JB.13
	1810/771B/UN	BRACKET, port (Mod. 42)	1	—	MR	JB.13
	1810/772B	BRACKET, starboard	1	—	MR	—
	1810/772B/UN	BRACKET, starboard (Mod. 42)	1	—	MR	JB.13
28M/15582	AGS.2018-C3	NUT, anchor	2	—	C	—
7039	FOS.69/4/2	NUT, anchor	2	—	MR/C	—
	1810/6225	BRACKET, strut anchor, port (Mod. 84)	1	—	MR	JB.22
	1810/6226	BRACKET, strut anchor, starboard (Mod. 84) Attachment parts for 1810/6225 and 6226:—	1	—	MR	JB.22
28N/17892	PH.190-4	"Jo"-bolt	3	—	C	—
28N/17899	PH.249-4	"Jo"-bolt	2	—	C	—
28W/9419405	SP.15-E	Washer	3	—	C	—
28W/17427	SP.124-E	Washer	3	—	C	—
1103	1810/119	BUTTSTRAP, frame 6, port	1	—	MR/C	JB.9
1104	1810/120	BUTTSTRAP, frame 6, starboard	1	—	MR/C	JB.2
1105	1810/121	BUTTSTRAP, frame 6, port	1	—	MR/C	JB.9
1106	1810/122	BUTTSTRAP, frame 6, starboard	1	—	MR/C	JB.9
8067	1810/6453A	CABLE assy Attachment parts for 1810/6453A:—	1	—	MR/C	JB.2
28DU/17317	A.102-4C	Bolt	2	—	C	—
28M/9438427	A.126-C	Nut	2	—	C	—
28W/1014056	SP.124-C	Washer	3	—	C	—
28W/5806395	SP.125-C	Washer	3	—	C	—
	1810/777	CLEAT, port, windscreen bracket	1	—	MR	JB.31
	1810/778	CLEAT, starboard, windscreen bracket	1	—	MR	JB.31
	1810/4377	CLEAT, port	1	—	MR	—
	1810/4857	CLEAT, starboard, at frame 12	1	—	MR	JB.27
‡6857	FOS.8/3	CLEAT	2	—	MR/C	—
6938	FOS.24/2	CLEAT	4	—	MR/C	—
6986	FOS.52/2	CLEAT	4	—	MR/C	—
		CLEAT assy, starboard console, front (1810/4353A and 4353A/UN) Spares for:—				
	1810/4355B	CLEAT	1	—	MR	JB.33
28M/9144673	AGS.2019-C1	NUT, anchor	1	—	C	—
28M/9438471	A.158-D	NUT, anchor	1	—	C	—

RESTRICTED

## FUSELAGE

## FRONT PORTION

Issued with A.L. No. 13

REF. No.	PART NUMBER	DESCRIPTION	No. OFF	MATL. SPEC.	CL. OF ST.	PLATE No.
					M.R. L.M.	
		CLEAT assy, starboard console, front (1810/4355A ... and 4355A/UN) (Pre-mod. 679) Spares for:—	—	—		
28M/9144673	1810/4355B	CLEAT .....	1	—	MR	JB.33
28M/9438471	AGS.2019-C1	NUT, anchor .....	1	—	C	—
	A.158-D	NUT, anchor .....	1	—	C	—
	1810/2883	CLEAT, coaming, port .....	1	—	MR	—
	1810/1679	CLEAT, coaming bracket, port .....	1	—	MR	JB.14
	1810/1680	CLEAT, coaming bracket, starboard .....	1	—	MR	JB.14
	1810/2208	CLEAT, frame 10, starboard .....	1	—	MR	JB.33
	1810/327	CLEAT, frame 12, port .....	1	—	MR	JB.27
	1810/4357	CLEAT, starboard console, front .....	1	—	MR	JB.33
		COAMING ASSY, COCKPIT (1810/3507A and 3507A/UN) Spares for:—				
	1810/541	ANGLE, port .....	1	—	MR	JB.15
	1810/542	ANGLE, starboard .....	1	—	MR	JB.15
	1810/549	ANGLE, port .....	1	—	MR	JB.14
	1810/550	ANGLE, starboard .....	1	—	MR	JB.14
		Attachment parts for 1018/549 and 550:—				
8112	Tucker Eyelet Co. AS.46R	Rivet, "Imex" .....	A/R	—	C	—
‡5438	1810/5139A	ANGLE assy, attachment, starboard .....	1	—	MR/C	JB.14
	1810/5139A/UN	ANGLE assy, attachment, starboard .....	1	—	MR	—
		Spares for:—				
28M/13481	AGS.2020-C1	NUT, anchor .....	2	—	C	—
7036	FOS.68/4/1	NUT, anchor .....	2	—	MR/C	—
	1810/537	ANGLE, attachment, port .....	1	—	MR	JB.15
	1810/538	ANGLE, attachment, starboard .....	1	—	MR	JB.15
	1810/4623	ANGLE, attachment, port .....	1	—	MR	JB.15
	1810/4625	ANGLE, attachment, starboard .....	1	—	MR	JB.14
	1815/1055	ANGLE, attachment, port .....	1	—	MR	JB.14
	1815/1055/UN	ANGLE, attachment, port .....	1	—	MR	—
	1815/1056	ANGLE, attachment, starboard .....	1	—	MR	JB.14
	1815/1056/UN	ANGLE, attachment, starboard .....	1	—	MR	—
	1810/1101	ANGLE, attachment, front, port .....	1	—	MR	JB.15
	1810/1102	ANGLE, attachment, front, starboard .....	1	—	MR	JB.15
	1810/1099	ANGLE, attachment, rear, port .....	1	—	MR	JB.15
	1810/5205	ANGLE, attachment, rear, starboard .....	1	—	MR	JB.14
	1810/5205/UN	ANGLE, attachment, rear, starboard .....	1	—	MR	—
	1810/3527	ANGLE, coaming, top, port .....	1	—	MR	JB.14
	1810/3528	ANGLE, coaming, top, starboard .....	1	—	MR	JB.14
	1810/543	ANGLE, reinforcing, port .....	1	—	MR	JB.14
	1810/544	ANGLE, reinforcing, starboard .....	1	—	MR	JB.14
	1810/545/1	ANGLE, reinforcing, inner, port (Mod. 57) .....	1	—	MR	JB.15
	1810/546/1	ANGLE, reinforcing, inner, starboard (Mod. 57) .....	1	—	MR	JB.15
	1810/4837	ANGLE, reinforcing, outer, port .....	1	—	MR	JB.14
	1810/4838	ANGLE, reinforcing, outer, starboard .....	1	—	MR	JB.14

**RESTRICTED**

**FUSELAGE  
FRONT PORTION**

Issued with A.L. No. 13

REF. No.	PART NUMBER	DESCRIPTION	No. OFF	MATL. SPEC.	CL. OF ST.	PLATE No.
					M.R. L.M.	
		1 2 3 4 5				
	1810/3517ND	ANGLE, windscreen, front .....	1	—	MR	JB.13
	1810/3513ND	ANGLE, windscreen, inner, port .....	1	—	MR	JB.13
	1810/3514ND	ANGLE, windscreen, inner, starboard .....	1	—	MR	JB.13
	1810/3515ND	ANGLE, windscreen, outer, port .....	1	—	MR	JB.13
	1810/3516ND	ANGLE, windscreen, outer, starboard .....	1	—	MR	JB.13
	1810/1649	BLOCK, port .....	1	—	MR	JB.13
	1810/1649/UN	BLOCK, port .....	1	—	MR	—
	1810/1650	BLOCK, starboard .....	1	—	MR	JB.13
	1810/1650/UN	BLOCK, starboard .....	1	—	MR	—
	1810/1661	BLOCK, port .....	1	—	MR	JB.14
	1810/1661/UN	BLOCK, port .....	1	—	MR	—
	1810/1662	BLOCK, starboard .....	1	—	MR	JB.14
	1810/1662/UN	BLOCK, starboard .....	1	—	MR	—
	1810/6811A	BRACKET assy (Mod. 108) .....	1	—	MR	JB.14
	1810/5959	BRACKET, starboard .....	1	—	MR	JB.15
15280	1810/1163	BRACKET, angle, port .....	1	—	MR/C	JB.14
		BRACKET assy (1810/6165A and 6165A/ND) .....	—	—	—	—
		Spares for:—				
	1810/6165B	BRACKET .....	1	—	MR	JB.15
28M/9434251	AGS.2008-B1	NUT, anchor .....	3	—	C	—
6961	FOS.41/2	NUT, anchor .....	3	—	MR/C	—
7153	1810/5489A	BRACKET assy, instrument panel, port .....	1	—	MR/C	JB.13
7154	1810/5489A/UN	BRACKET assy, instrument panel, port .....	1	—	MR/C	—
7155	1810/5490A	BRACKET assy, instrument panel, starboard .....	1	—	MR/C	JB.13
7156	1810/5490A/UN	BRACKET assy, instrument panel, starboard .....	1	—	MR/C	—
		Spares for:—				
28M/10287	AGS.2001-B1	NUT .....	3	—	C	—
6954	FOS.40/2	NUT .....	4	—	MR/C	—
	1810/3177A	BRACKET assy, mounting, pulley, port .....	1	—	MR	JB.14
	1810/2713A/2	BRACKET assy, mounting, quadrant, port .....	1	—	MR	JB.14
		(Mod. 214)				
	1810/2713A/UN/2	BRACKET assy, mounting, quadrant, port .....	1	—	MR	—
		(Mod. 214)				
		NOTE:—1810/2713A/2 and 2713A/UN/2 are ref. only in this assy, and called on 1815/1251A/ND/1, Section JD.				
	1810/2273A/1	BRACKET assy, mounting, quadrant, starboard .....	1	—	MR	JB.13
	1810/2273A/UN/1	BRACKET assy, mounting, quadrant, starboard .....	1	—	MR	—
		(Mod. 214)				
		Spares for:—				
10AR/0519055	Burgess VLR.1	ACTUATOR .....	1	—	C	JB.13
	1881/2267	CLEAT .....	1	—	MR	JB.13
	A.193-E66	NUT, anchor .....	1	—	—	—
		OR				
28M/9438447	A.136-E	NUT, anchor .....	1	—	C	—
28M/13774	AGS.2019-B1	NUT, anchor .....	2	—	C	—
28M/9438470	A.158-B	NUT, anchor .....	2	—	C	—
28M/9144673	AGS.2019-C1	NUT, anchor .....	1	—	C	—
28M/9437471	A.158-D	NUT, anchor .....	1	—	C	—

**RESTRICTED**

## FUSELAGE

## FRONT PORTION

Issued with A.L. No. 18

REF. No.	PART NUMBER	DESCRIPTION	No. OFF	MATL. SPEC.	CL. OF ST.	PLATE No.
					M.R. L.M.	
5CW/4615	Burgess V.3	SWITCH, micro .....	1	-	B	JB.13
		Attachment parts for 5CW/4615 -				
28M/9413518	A.27-AP	Nut .....	2	-	C	-
28W/9419485	SP.16-A	Washer .....	2	-	C	-
28W/9416641	SP.47-A	Washer .....	2	-	C	-
±5812	1815/1543	BRACKET, attachment, canopy prop .....	2	-	MR/C	JB.15
		Attachment parts for 1815/1543 -				
28D/9133011	A.25-2C	Bolt .....	2	-	C	-
28DU/9419967	A.102-2D	Bolt .....	2	-	C	-
28M/1006473	A.27-CT	Nut .....	2	-	C	-
28M/9419540	A.103-DT	Nut .....	2	-	C	-
5813	1815/1495C	Washer, throat (Pre-mod. 57) .....	2	-	MR/C	JB.15
7705	1810/3507B	Washer, throat (Mod. 57) .....	2	-	MR/C	JB.15
		Alternative attachment parts for 1815/1543 -				
28N/17892	PH.190-4	Jo-bolt .....	2	-	C	-
	1810/4801	BRACKET, attachment, port .....	1	-	MR	JB.13
	1810/4801/UN	BRACKET, attachment, port .....	1	-	MR	-
	1810/4802	BRACKET, attachment, starboard .....	1	-	MR	JB.13
	1810/4802/UN	BRACKET, attachment, starboard .....	1	-	MR	-
	1815/635	BRACKET, pulley, starboard .....	1	-	MR	JB.15
	1815/637	BRACKET, pulley, starboard .....	1	-	MR	JB.15
5277	1815/645	BRACKET, pulley, starboard .....	1	-	MR/C	JB.14
5278	1815/647	BRACKET, pulley, starboard .....	1	-	MR/C	JB.14
5279	1815/649	BRACKET, pulley, starboard .....	1	-	MR/C	JB.14
9166	1881/2265A	CLEAT assy, angle .....	4	-	MR/C	JB.13
7846	1881/2265A/UN	CLEAT assy, angle (Mod. 214) .....	4	-	MR/C	-
	1815/639	CLEAT, pipe, starboard .....	1	-	MR	JB.14
28E/9428426	AS.2294/3	CLIP, Terry, type 81 .....	2	-	C	JB.15
		COAMING assy, top, aft, port .....		-		
		(1810/3525A and 3525A/UN)				
		COAMING assy, top, aft, starboard .....		-		
		(1810/3526A and 3526A/UN)				
		Spares for:-				
6930	FOS.22/S.1	BRACKET, starboard .....	1	-	MR/C	-
	1810/4869	CLEAT, port .....	1	-	MR	JB.15
	1810/4870	CLEAT, starboard .....	1	-	MR	JB.15
±6934	FOS.23/3	CLEAT assy .....	1	-	MR/C	-
±7016	FOS.54/3	CLEAT assy .....	1	-	MR/C	-
	1810/3525B	COAMING, top, aft, port .....	1	-	MR	JB.15
	1810/3526B	COAMING, top, aft, starboard .....	1	-	MR	JB.15
	1810/3531	STRAP, port .....	1	-	MR	JB.15
	1810/3532	STRAP, starboard .....	1	-	MR	JB.15
	1810/3509	COAMING, front .....	1	-	MR	JB.13
	1810/3509/UN	COAMING, front .....	1	-	MR	-
	1810/3511	COAMING, main, front, port .....	1	-	MR	JB.13
	1810/3511/UN	COAMING, main, front, port .....	1	-	MR	-

FUSELAGE  
FRONT PORTION

Issued with A.L. No. 8

REF. No.	PART NUMBER	DESCRIPTION	No. OFF	MATL. SPEC.	CL. OF ST.	PLATE No.	
					M.R. L.M.		
		1 2 3 4 5					
8111	1810/3512	COAMING, main, front, starboard	1	-	MR	JB.13	
	1810/3512/UN	COAMING, main, front, starboard	1	-	MR	-	
	1810/533/1	COAMING, main, rear, port	1	-	MR	JB.15	
	1810/533/UN/1	COAMING, main rear, port	1	-	MR	-	
	1810/534/1	COAMING, main, rear, starboard	1	-	MR	JB.15	
	1810/534/UN/1	COAMING, main rear, starboard	1	-	MR	-	
			Attachment parts for 1810/533-4/1 and 533-4/UN/1 -				
		Tucker Eyelet Co. AD.44R	Rivet, "Imex"	A/R	-	C	-
		1810/1651	DIAPHRAGM, aft, port	1	-	MR	JB.14
		1810/1651/UN	DIAPHRAGM, aft, port	1	-	MR	-
		1810/1652	DIAPHRAGM, aft, starboard	1	-	MR	JB.14
		1810/1652/UN	DIAPHRAGM, aft, starboard	1	-	MR	-
		1810/1655	DIAPHRAGM, aft, port	1	-	MR	JB.14
		1810/1655/UN	DIAPHRAGM, aft, port	1	-	MR	-
		1810/1656	DIAPHRAGM, aft, starboard	1	-	MR	JB.14
		1810/1656/UN	DIAPHRAGM, aft, starboard	1	-	MR	-
		1810/1659A	DIAPHRAGM assy, port	1	-	MR	JB.15
		1810/1660A	DIAPHRAGM assy, starboard	1	-	MR	JB.15
		1810/1653	DIAPHRAGM, forward, port	1	-	MR	JB.14
		1810/1653/UN	DIAPHRAGM, forward, port	1	-	MR	-
		1810/1654	DIAPHRAGM, forward, starboard	1	-	MR	JB.14
		1810/1654/UN	DIAPHRAGM, forward, starboard	1	-	MR	-
		1810/1657	DIAPHRAGM, forward, port	1	-	MR	JB.14
		1810/1657/UN	DIAPHRAGM, forward, port	1	-	MR	-
		1810/1658	DIAPHRAGM, forward, starboard	1	-	MR	JB.14
	1810/1658/UN	DIAPHRAGM, forward, starboard	1	-	MR	-	
‡7251	1810/6227	DOOR, sloping bulkhead, port	1	-	MR/C	JB.16	
‡7252	1810/6228	DOOR, sloping bulkhead, starboard	1	-	MR/C	JB.16	
		Attachment parts for 1810/6227-8 -					
28D/9133012	A.25-3C	Bolt	1	-	C	-	
28DU/9419566	A.102-3C	Bolt	1	-	C	-	
28M/10328	AGS.2002-C1	Nut	1	-	C	-	
6956	FOS.40/4	Nut	1	-	C	-	
28W/9419475	SP.15-C	Washer	1	-	MR/C	-	
28W/9457834	SP.124-D	Washer	1	-	C	-	
28W/9419404	SP.16-C	Washer	1	-	C	-	
28W/17551	SP.125/D	Washer	1	-	C	-	
	1810/1791	DOUBLER	2	-	MR	JB.15	
	1810/539	DOUBLER, frame 9, port	1	-	MR	JB.14	
	1810/1167	DOUBLER, frame 9, starboard	1	-	MR	JB.14	
	1810/5095A	ELBOW assy, windscreen de-mist	1	-	MR	JB.13	
	1810/5095A/UN	ELBOW assy, windscreen de-mist	1	-	MR	-	
		Spares for -					
28M/11957	AGS.2007-C1	NUT, anchor	1	-	C	-	
28M/9438446	A.136-D	NUT, anchor	1	-	C	-	
28M/9144673	AGS.2019-C1	NUT, anchor	1	-	C	-	
28M/9438471	A.158-D	NUT, anchor	1	-	C	-	
	1815/1053A	FITTING, attachment, port	1	-	MR	JB.14	

## FRONT PORTION

Issued with A.L.No. 7

	1815/1053A/UN	FITTING, attachment, port .. .. .	1	-	MR	-
		Spares for:-				
28M/12421	AGS.2018-C1	NUT, anchor .. .. .	2	-	C	-
28M/9438469	A. 157-D	NUT, anchor .. .. .	2	-	C	-
‡ 5293	1810/4591	HOOK, harness stowage, port .. .. .	1	-	MR/C	JB13
‡ 5294	1810/4592	HOOK, harness stowage, starboard .. .. .	1	-	MR/C	JB13
‡ 5295	1810/4593	HOOK, harness stowage, port .. .. .	1	-	MR/C	JB15
‡ 5296	1810/4594	HOOK, harness stowage, starboard .. .. .	1	-	MR/C	JB15
	1810/1841	PACKING .. .. .	2	-	MR	JB15
	1810/2271	PACKING, starboard .. .. .	1	-	MR	JB14
	1810/2719	PACKING .. .. .	1	-	MR	JB15
	1810/2723	PACKING, starboard .. .. .	1	-	MR	JB14
	1810/4789	PACKING, starboard .. .. .	1	-	MR	JB13
	1810/4867ND	PACKING .. .. .	1	-	MR	JB13
6830	FOS.2/16B	PACKING .. .. .	5	-	MR/C	-
8370	FOS.2/16V	PACKING .. .. .	5	-	MR/C	-
6831	FOS.2/16C	PACKING .. .. .	5	-	MR/C	-
6833	FOS.2/16W	PACKING .. .. .	5	-	MR/C	-
7706	1810/3507C	PACKING, tapered, for spring clip (Mod. 57) .. .. .	2	-	MR/C	JB15
5297	1810/1635	PAD, pressure, port .. .. .	1	-	MR/C	JB13
5298	1810/1636	PAD, pressure, starboard .. .. .	1	-	MR/C	JB13
5299	1810/1637	PAD, pressure, port .. .. .	1	-	MR/C	JB14
5300	1810/1638	PAD, pressure, starboard .. .. .	1	-	MR/C	JB14
5301	1810/1639	PAD, pressure, port .. .. .	1	-	MR/C	JB14
7871	1810/1639/UN	PAD, pressure, port .. .. .	1	-	MR/C	-
6175	1810/1640	PAD, pressure, starboard .. .. .	1	-	MR/C	JB14
7872	1810/1640/UN	PAD, pressure, starboard .. .. .	1	-	MR/C	-
5302	1810/1647	PAD, pressure, port .. .. .	1	-	MR/C	JB15
5303	1810/1648	PAD, pressure, starboard .. .. .	1	-	MR/C	JB15
	1810/5167A	PIPE assy, stub, starboard .. .. .	1	-	MR	JB13
	1810/4897	PLATE, packing .. .. .	1	-	MR	JB15
	1810/4899	PLATE, packing .. .. .	1	-	MR	JB15
	1810/4681	PLATE, reinforcing, inner, port, fr. 5 .. .. .	1	-	MR	JB13
	1810/4681/UN	PLATE, reinforcing, inner, port, fr. 5 .. .. .	1	-	MR	-
	1810/4682	PLATE, reinforcing, inner, starboard, fr. 5 .. .. .	1	-	MR	JB13
	1810/4682/UN	PLATE, reinforcing, inner, starboard, fr. 5 .. .. .	1	-	MR	-
		Attachment parts for 1810/4681-2 and 4681-2/UN:-				
28D/13129	AS.3294-5C	Bolt .. .. .	2	-	C	-
28DU/9480273	A.173-5D	Bolt .. .. .	2	-	C	-
28M/9403520	A.27-CP	Nut .. .. .	2	-	C	-
28M/9419538	A.103-DP	Nut .. .. .	2	-	C	-
28W/9419475	SP.15-C	Washer .. .. .	2	-	C	-
28W/17544	SP.124-D	Washer .. .. .	2	-	C	-
	1810/4685	PLATE, reinforcing, inner, port, fr.6 .. .. .	1	-	MR	JB13
	1810/4685/UN	PLATE, reinforcing, inner, port, fr.6 .. .. .	1	-	MR	-
	1810/4686	PLATE, reinforcing, inner, starboard, fr. 6 .. .. .	1	-	MR	JB13
	1810/4686/UN	PLATE, reinforcing, inner, starboard, fr. 6 .. .. .	1	-	MR	-

## FRONT PORTION

Issued with A.L.No. 7

## Attachment parts for 1810/4685-6 and 4685-6/UN:-

28D/12533	A.25-5C	Bolt	..	..	..	..	..	2	-	C	-
28DU/9419968	A.102-5D	Bolt	..	..	..	..	..	2	-	C	-
28M/9403520	A.27-CP	Nut	..	..	..	..	..	2	-	C	-
28M/9419538	A.103-DP	Nut	..	..	..	..	..	2	-	C	-
28W/9419404	SP.16-C	Washer	..	..	..	..	..	2	-	C	-
28W/17551	SP.125-D	Washer	..	..	..	..	..	2	-	C	-

1810/4683

PLATE, reinforcing, outer, port, fr. 5 .. 1 - MR JB13

1810/4683/UN

PLATE, reinforcing, outer, port, fr. 5 .. 1 - MR -

1810/4684

PLATE, reinforcing, outer, starboard, fr. 5 .. 1 - MR JB13

1810/4684/UN

PLATE, reinforcing, outer, starboard, fr.5 .. 1 - MR -

## Attachment parts for 1810/4683-4 and 4683-4/UN:-

28D/13129	AS.3294-5C	Bolt	..	..	..	..	..	2	-	C	-
28DU/9480273	A.173-5D	Bolt	..	..	..	..	..	2	-	-	-
28M/9403520	A.27-CP	Nut	..	..	..	..	..	2	-	C	-
28M/9419538	A.103-DP	Nut	..	..	..	..	..	2	-	C	-
28W/9419475	SP.15-C	Washer	..	..	..	..	..	2	-	C	-
28W/17544	SP.124-D	Washer	..	..	..	..	..	2	-	C	-

1810/4687

PLATE, reinforcing, outer, port, fr. 6 .. 1 - MR JB13

1810/4687/UN

PLATE, reinforcing, outer, port, fr. 6 .. 1 - MR -

1810/4688

PLATE, reinforcing, outer, starboard, fr. 6 .. 1 - MR JB13

1810/4688/UN

PLATE, reinforcing, outer, starboard, fr. 6 .. 1 - MR -

## Attachment parts for 1810/4687-8 and 4687-8/UN:-

28D/12533	A.25-5C	Bolt	..	..	..	..	..	2	-	C	-
28DU/9419968	A.102-5D	Bolt	..	..	..	..	..	2	-	C	-
28M/9403520	A.27-CP	Nut	..	..	..	..	..	2	-	C	-
28M/9419538	A.103-DP	Nut	..	..	..	..	..	2	-	C	-
28W/9419404	SP.16-C	Washer	..	..	..	..	..	2	-	C	-
28W/17551	SP.124-D	Washer	..	..	..	..	..	2	-	C	-

1810/2399

PLATE, support .. 1 - MR JB15

1810/3205

PLATE, throat .. 1 - MR JB14

1004 1810/415 TIE .. 1 - MR/C JB13

## Attachment parts for 1810/415:-

28D/12519	A.25-3E	Bolt	..	..	..	..	..	6	-	C	-
28DU/9414342	A.102-3E	Bolt	..	..	..	..	..	6	-	C	-
28M/12928	A.27-EP	Nut	..	..	..	..	..	6	-	C	-
28M/9414136	A.103-EP	Nut	..	..	..	..	..	6	-	C	-
28W/9419487	SP.16-E	Washer	..	..	..	..	..	6	-	C	-
28W/17426	SP.125-E	Washer	..	..	..	..	..	6	-	C	-

5307 1810/1843 Washer, throat, port .. 1 - MR/C JB14

5308 1810/1844 Washer, throat, starboard .. 1 - MR/C JB14

5309 1810/1845 Washer, throat, port .. 3 - MR/C JB13

5310 1810/1846 Washer, throat, starboard .. 3 - MR/C JB13

## DE-ICING, WINDSCREEN G.A. (1815/1233A and 1233A/UN)

## Spares for:-

‡ 6803	1815/1233S	BLOCK, rubber, port ..	..	..	..	..	..	1	-	MR/C	JB12
‡ 6804	1815/1233T	BLOCK, rubber, starboard ..	..	..	..	..	..	1	-	MR/C	JB12

## FUSELAGE

## FRONT PORTION

Issued with A.L. No. 12

REF. No.	PART NUMBER	DESCRIPTION	No. OFF	MATL. SPEC.	CL. OF ST.	PLATE No.
					M.R. L.M.	
		1 2 3 4 5				
9098	1815/1271A	BRACKET assy, skirt attachment, forward, port	1	—	MR/C	JB.12
6805	1815/1271A/UN	BRACKET assy, skirt attachment, forward, port	1	—	MR/C	
9099	1815/1272A	BRACKET assy, skirt attachment, forward, port	1	—	MR/C	JB.12
6806	1815/1272A/UN	BRACKET assy, skirt attachment, forward, port starboard Spares for—	1	—	MR/C	
28M/9144673	A65 2019 C1	NUT, anchor	2	—	C	
28M/9438471	A.158-D	NUT, anchor	2	—	C	
9100	1815/1273A	BRACKET assy, skirt attachment, aft, port	1	—	C	JB.12
6807	1815/1273A/UN	BRACKET assy, skirt attachment, aft, port	1	—	MR/C	
9101	1815/1274A	BRACKET assy, skirt attachment, aft, starboard	1	—	MR/C	JB.12
6808	1815.1274A/UN	BRACKET assy, skirt attachment, aft, starboard Spares for—	1	—	MR/C	
28M/9144673	AGS.2019 C1	NUT, anchor	2	—	C	
28M/943871	A.158-D	NUT, anchor	2	—	C	
6983	FOS.50/4/2	NUT, anchor	2	—	MR/C	
4800	1815/1233C	PIPE assy, de-icing	1	—	MR/C	JB.12
4802	1815/1233J	SEAL, "P", rubber, port	1	—	MR/C	JB.12
4801	1815/1233K	SEAL, "P", rubber, starboard	1	—	MR/C	JB.12
4803	1815/1233V	SEAL, rubber, 1/2" x 1/32"	A/R	—	MR/C	JB.12
4804	1815/1233U	SHIELD, heat	1	—	MR/C	JB.12
4805	1815/1233B	SKIRT, front (Pre-mod. 525) Attachment parts for 1815/1233B:—	1	—	MR/C	JB.12
28D/1007975	AS.1242-1C	Bolt	2	—	C	
28DU 9480269	A.173-1D	Bolt	2	—	C	
4806	1815/1233W	SKIRT, side, port (Pre-mod 525)	1	—	MR/C	JB.12
4807	1815/1233Y	SKIRT, side, starboard (Pre-mod 525)	1	—	MR/C	JB.12
	1815/1233L	STRIP, sealing, 1/16" Bestobell, 1/2" x 1/16" x 4"	1	J.29/69	LM	JB.12
	1815/1233M	STRIP, sealing, 1/16" Bestobell, 3/4" x 1/8"	—	J.29/69	LM	JB.12
	1815/1233N	STRIP, sealing, 1/16" Bestobell, 3-4" x 1/16"	1	J.29/69	LM	JB.12
	1815/1233P	STRIP, sealing, 1/16" Bestobell, 1/2" x 1/16"	1	J.29/69	LM	JB.12
	1815/1233R	STRIP, sealing, 1/16" Bestobell, 1/2" x 1/16"	1	J.29/69	LM	JB.12
	1815/1233H	TUBE, distance	10	—	MR/LM	JB.12
	1810/63	DOUBLER, port	1	—	MR	JB.12
	1810/64	DOUBLER, starboard	1	—	MR	JB.12
	1810/223	DOUBLER, connecting, frame 5, port	1	—	MR	JB.12
	1810/224	DOUBLER, connecting, frame 5, starboard	1	—	MR	JB.12
	1810/225	DOUBLER, connecting, frame 5, port	1	—	MR	JB.12
	1810/226	DOUBLER, connecting, frame 5, starboard	1	—	MR	JB.12
	1810/6211	END, eye (Mod 84) Attachment parts for 1810/6211:—	2	—	MR	
28D/12533	A.25 5C	Bolt	2	—	C	
28DU/9480980	A.102 5C	Bolt	2	—	C	
28D/1011030	A.25 2E	Bolt	1	—	C	
28DU/9414341	A.102-2E	Bolt	1	—	C	
28M/10288	AGS.2001-C1	Nut	2	—	C	
28M/9438421	A.125 C	Nut	2	—	C	
28M.10290	AGS 2001 E1	Nut	1	—	C	
28M/9438423	A.125 E	Nut	1	—	C	
	AS 2806 5 027	Tube, distance	1	—	—	
28W/9419475	SP.15 C	Washer	2	—	C	

FUSELAGE  
FRONT PORTION

Issued with A.L. No. 12

REF. No.	PART NUMBER	DESCRIPTION	No. OFF	MATL. SPEC.	CL. OF ST.	PLATE No.
					M.R. L.M.	
		1 2 3 4 5				
28W/17543	SP.124-C	Washer .....	2	-	C	
28W/9419405	SP.15-E	Washer .....	1	-	C	
28W/17427	SP.124-E	Washer .....	1	-	C	-
5348	1810/5965	END, fork, rear seat tube attachment (Mod. 84) .....	2	-	MR/C	JB.30
		Attachment parts for 1810/5965:-				
28D/1011248	A.25-16E	Bolt .....	1	-	C	-
28DU/9414355	A.102-16E	Bolt .....	1	-	C	-
	1810/5995	Eyebolt (Mod. 84) .....	1	-	C	-
28M/12928	A.27-EP	Nut .....	1	-	MR	-
28M/9414136	A.103-EP	Nut .....	1	-	C	-
28M/9414137	A.103-GP	Nut .....	1	-	C	-
7961	1810/6011	Shim, special (Mod. 84) .....	2	-	MR/C	-
	AS.2806-5-131	Tube, distance .....	1	-	-	-
	AS.2806-6-131	Tube, distance .....	1	-	-	-
28W/9419405	SP.15-E	Washer .....	1	-	C	-
28W/17427	SP.124-E	Washer .....	1	-	C	-
28W/17545	SP.124-G	Washer .....	1	-	C	-
		FRAME 12 ASSY (1810/5147A and 1810/5147A/UN)				
		Spares for:-				
	1810/5243	ANGLE .....	1	-	MR	JB.26
	1810/311	ANGLE, attachment, coaming, port .....	1	-	MR	JB.26
	1810/311/UN	ANGLE, attachment, coaming, port .....	1	-	MR	-
	1810/312	ANGLE, attachment, coaming, starboard .....	1	-	MR	JB.26
	1810/312/UN	ANGLE, attachment, coaming, starboard .....	1	-	MR	-
	1810/313	ANGLE, attachment, shearwall, port .....	1	-	MR	JB.26
	1810/314	ANGLE, attachment, shearwall, starboard .....	1	-	MR	JB.26
	1810/315	ANGLE, attachment, tank floor .....	1	-	MR	JB.26
	1810/289	ANGLE, "Z", shearwall, port .....	1	-	MR	JB.26
	1810/290	ANGLE, "Z", shearwall, starboard .....	1	-	MR	JB.26
	1810/2105	BLOCK, mounting, aileron, pulley, bracket, port .....	1	-	MR	JB.26
	1845/2107	BLOCK, mounting, aileron pulley bracket, .....	1	-	MR	JB.26
		starboard				
	1881/2019	BRACKET .....	1	-	MR	JB.26
	1810/1257	BRACKET, port .....	1	-	MR	JB.26
	1810/1258	BRACKET, starboard .....	1	-	MR	JB.26
	1810/5093A	BRACKET assy .....	2	-	MR	JB.26
	1810/5093A/UN	BRACKET .....	2	-	MR	-
		Spares for:-				
28M/9435067	AGS.2008-C1	NUT, anchor .....	1	-	C	-
6963	FOS.41/4	NUT, anchor .....	1	-	MR/C	-
		Attachment parts for 1810/5093A and 5093A/UN:-				
8111	Tucker Eyelet Co. AD.44R	Rivet, "Imex" .....	A/R	-	C	-
	1810/4617A	BRACKET assy, mounting .....	1	-	MR	JB.26
	1810/4617A/UN	BRACKET assy, mounting .....	1	-	MR	-
		Spares for:-				
28M/9435067	AGS.2008-C1	NUT, anchor .....	4	-	C	-
6963	FOS.41/4	NUT, anchor .....	4	-	MR/C	-

FUSELAGE  
FRONT PORTION

Issued with A.L. No. 9

		Attachment parts for 1810/4167A and 4167A/UN :—								
8111	Tucker Eyelet Co. AD.44R	Rivet, "Imex" ... ..	A/R	—	C	—				
	1810/307	BRACKET, attachment, floor, port ... ..	1	—	MR	JB.26				
	1810/308	BRACKET, attachment, floor, starboard ... ..	1	—	MR	JB.26				
	1810/4363	BRACKET, channel ... ..	1	—	MR	JB.26				
	1810/287	CHANNEL, shearwall, port ... ..	1	—	MR	JB.26				
	1810/288	CHANNEL, shearwall, starboard ... ..	1	—	MR	JB.26				
	1810/1255	CHANNEL, port ... ..	1	—	MR	JB.26				
	1810/1255/UN	CHANNEL, port ... ..	1	—	MR	—				
	1810/1256	CHANNEL, starboard ... ..	1	—	MR	JB.26				
	1810/1256/UN	CHANNEL, starboard ... ..	1	—	MR	—				
	1810/293	CLEAT ... ..	2	—	MR	JB.26				
	1810/1259	CLEAT, port ... ..	1	—	MR	JB.26				
	1810/1260	CLEAT, starboard ... ..	1	—	MR	JB.26				
	1810/1284	CLEAT ... ..	1	—	MR	JB.26				
	1810/3297	CLEAT ... ..	4	—	MR	JB.26				
		Attachment parts for 1810/3297 :—								
8111	Tucker Eyelet Co. AD.44R	Rivet, "Imex" ... ..	A/R	—	C	—				
	1810/4365	CLEAT, port ... ..	1	—	MR	JB.26				
	1810/4366	CLEAT, starboard ... ..	1	—	MR	JB.26				
		Attachment parts for 1810/4365-6 :—								
8111	Tucker Eyelet Co. AD.44R	Rivet, "Imex" ... ..	A/R	—	C	—				
6297	FOS.22/P1	CLEAT ... ..	1	—	MR/C	—				
27K/1309	Teleflex B.40118	CONNECTOR, bulkhead ... ..	2	—	—	JB.26				
8786	1873/3303	COUPLING, bulkhead (Mod. 494) ... ..	1	—	MR/C	—				
		COVER assy, pulley, elliptical (1845/2375A and 2375A/UN)								
		Spares for :—								
	1845/2383	ANGLE, shearwall, port ... ..	1	—	MR	JB.27				
	1845/2384	ANGLE, shearwall, starboard ... ..	1	—	MR	JB.27				
	1845/2417	BRACKET, port ... ..	1	—	MR	JB.27				
	1845/2418	BRACKET, starboard ... ..	1	—	MR	JB.27				
7244	1845/3387	BUSH, split ... ..	2	—	MR/C	JB.27				
	1845/2407A/1	CHANNEL assy, lateral (Mod. 241) ... ..	1	—	MR	JB.27				
	1845/2407A/UN/1	CHANNEL assy, lateral (Mod. 241) ... ..	1	—	MR	—				
	1845/2419	CLEAT ... ..	4	—	MR	JB.27				
	1845/2421	CLEAT, port ... ..	2	—	MR	JB.27				
	1845/2422	CLEAT, starboard ... ..	2	—	MR	JB.27				
	1845/2381	COVER, quadrant ... ..	1	—	MR	JB.27				
3659	1845/2385A	DOOR assy, access ... ..	1	—	MR/B	JB.27				
7166	1845/2385A/UN	DOOR assy, access ... ..	1	—	MR/B	—				
		Spares for :—								
3660	1845/2025	CAP ... ..	2	—	MR/C	JB.27				
3662	1845/2385B	GASKET, at cap ... ..	2	—	MR/C	JB.27				
1063	1845/273	GASKET, inspection ... ..	2	—	C	JB.27				

FUSELAGE  
FRONT PORTION

Issued with A.L. No. 9

1062	1845/275	PLATE, cover ... ..	2	—	MR/C	JB.27
	1845/2023	STIFFENER, threaded ... ..	2	—	MR	JB.27
		Attachment parts for 1845/2385A and 2385A/UN :—				
28D/9436920	A.25-1C	Bolt ... ..	11	—	C	—
28DU/9419565	A.102-1D	Bolt ... ..	11	—	C	—
28D/1007982	AS.1248-1C	Bolt ... ..	39	—	C	—
28DU/9419534	A.113-1D	Bolt ... ..	39	—	C	—
28W/9419475	SP.15-C	Washer ... ..	11	—	C	—
28W/9457834	SP.124-D	Washer ... ..	11	—	C	—
3663	1845/2379	GASKET, door ... ..	1	—	MR/C	JB.27
	1845/2405	GUARD, channel, pulley, port ... ..	1	—	MR	JB.27
	1845/2406	GUARD, channel, pulley, starboard ... ..	1	—	MR	JB.27
	1845/2413	GUARD, pulley, port ... ..	1	—	MR	JB.27
	1845/2414	GUARD, pulley, starboard ... ..	1	—	MR	JB.27
7245	1845/3449	HOUSING, port ... ..	1	—	MR/C	JB.27
7246	1845/3451	HOUSING, starboard ... ..	1	—	MR/C	JB.27
		Attachment parts for 1845/3449 and 3451 :—				
28M/10287	AGS.2001-B1	Nut ... ..	2	—	C	—
6954	FOS.40/2	Nut ... ..	2	—	MR/C	—
28W/9419465	SP.13-B	Washer ... ..	2	—	C	—
28W/9129655	SP.122-B	Washer ... ..	2	—	C	—
28M/11957	AGS.2007-C1	NUT, anchor... ..	46	—	C	—
6963	FOS.41/4	NUT, anchor... ..	44	—	MR/C	—
28M/12421	AGS.2018-C1	NUT, anchor... ..	10	—	C	—
28M/9438469	A.157-D	NUT, anchor... ..	6	—	C	—
5319	1845/2015	PAD, shear ... ..	8	—	MR/C	JB.27
7247	1845/3627	PLATE, backing, port ... ..	1	—	MR/C	JB.27
7248	1845/3629	PLATE, backing, starboard ... ..	1	—	MR/C	JB.27
‡ 5323	1311/3317A	PLATE, bolt ... ..	2	—	MR/C	JB.27
‡ 6588	1311/3317A/UN	PLATE, bolt ... ..	2	—	MR/C	—
		Attachment parts for 1311/3317A and 3317A/UN :—				
28M/10328	AGS.2002-C1	Nut ... ..	1	—	C	—
6956	FOS.40/4	Nut ... ..	1	—	MR/C	—
28W/9419475	SP.15-C	Washer ... ..	1	—	C	—
28W/9457834	SP.124-D	Washer ... ..	1	—	C	—
7885	1845/4205A	PLATE assy, nut (25th and Sub A/C) ... ..	2	—	MR/C	JB.27
		Spares for :—				
6963	FOS.41/4	NUT, anchor ... ..	1	—	MR/C	—
28M/9438469	A.157-D	NUT, anchor ... ..	1	—	C	—
7249	1845/3621	SEAL, rubber, port ... ..	1	—	MR/C	JB.27
7250	1845/3623	SEAL, rubber, starboard ... ..	1	—	MR/C	JB.27
5324	1845/2019	SPIGOT ... ..	2	—	MR/C	JB.27
	1810/615	COVER, end ... ..	1	—	MR	JB.26

FUSELAGE  
FRONT PORTION

Issued with A.L. No. 17

REF. No.	PART NUMBER	DESCRIPTION	No. OFF	MATL. SPEC.	CL. OF ST.	PLATE No.
					M.R. L.M.	
		1 2 3 4 5				
		Attachment parts for 1810/615:—				
8120	Tucker Eyelet Co. AK.44R	Rivet, "Imex" .....	A/R	—	C	—
	1810/291	DIAPHRAGM, shearwall, port .....	1	—	MR	JB.26
	1810/292	DIAPHRAGM, shearwall, starboard .....	1	—	MR	JB.26
	1881/1619A	GUARD assy .....	1	—	—	JB.26
	1881/1619A/UN	GUARD assy .....	1	—	MR	—
		Spares for:—				
28M/9434251	AGS.2008-B1	NUT, anchor .....	1	—	C	—
28M/9438451	A.137-B	NUT, anchor .....	1	—	C	—
28M/13774	AGS.2019-B1	NUT, anchor .....	2	—	C	—
28M/9438470	A.158-B	NUT, anchor .....	2	—	C	—
		Attachment parts for 1881/1619A and 1619A/UN:—				
28D/8337	AS.1248-1B	Bolt .....	4	—	C	—
28DU/9419536	A.113-1B	Bolt .....	4	—	C	—
28W/9419474	SP.15-B	Washer .....	4	—	C	—
28W/9471274	SP.124-B	Washer .....	4	—	C	—
	1810/1593A	LEVER assy, flap control .....	1	—	MR	—
	1810/1593A/UN	LEVER assy, flap control .....	1	—	MR	—
		Spares for:—				
1800	1810/1599A	LEVER assy, operating .....	1	—	MR/C	JB.26
		Spares for:—				
	1810/1607	BEARING .....	1	—	MR	JB.26
1801	Oilite CT.190	BUSH x 3" long .....	2	—	MR/C	JB.26
1711	1847/111	BUSH .....	2	—	MR/C	JB.26
28N/13510	Hoffmann C.J.0	JOINT, self-aligning .....	1	—	C	JB.26
28N/13511	Hoffmann C.J.1	JOINT, self-aligning .....	1	—	C	JB.26
	1810/1609	LEVER, operating .....	1	—	MR	JB.26
9481	1810/303	MEMBER, door landing .....	1	—	MR/C	JB.26
	1810/5245	MEMBER, top-hat .....	1	—	MR	JB.26
	1810/5247	MEMBER, top-hat .....	1	—	MR	JB.26
28M/9435067	AGS.2008-C1	NUT, anchor .....	16	—	C	—
6963	FOS.41/4	NUT, anchor .....	16	—	MR/C	—
28M/12421	AGS.2018-C1	NUT, anchor .....	2	—	C	—
28M/9438471	A.158-D	NUT, anchor .....	2	—	C	—
	1810/317	PACKING .....	1	—	MR	JB.26
	1845/2217	PLATE, bearing .....	2	—	MR	JB.26
	1810/299	PLATE, joint .....	1	—	MR	JB.26
	1810/300	PLATE, joint .....	1	—	MR	JB.26
†6940	FOS.25/2	PLATE, mounting .....	2	—	MR/C	—
	1211/1075	PLATE, stud location .....	11	—	MR	JB.26
	1810/285	SHEARWALL, inner, aft, port .....	1	—	MR	JB.26
	1810/286	SHEARWALL, inner, aft, starboard .....	1	—	MR	JB.26
	1810/5241	STIFFENER, top-hat .....	1	—	MR	JB.26
6850	FOS.6.1/8	TAG, wire-locking .....	2	—	MR/C	—
	1810/5251/1	WEB, frame (Mod. 494) .....	1	—	MR	JB.26
	1810/5251/UN/1	WEB, frame (Mod. 494) .....	1	—	MR	—
1498094	1810/4005A/4	HATCH assy, nose (Mod. 708) .....	1	—	MR/A	JB.2
1498095	1810/4005A/UN/4	HATCH assy, nose (Mod. 708) .....	1	—	MR/A	—

FUSELAGE  
FRONT PORTION

Issued with A.L. No. 13

REF. No.	PART NUMBER	DESCRIPTION	No. OFF	MATL. SPEC.	CL. OF ST.	PLATE No.
					M.R. L.M.	
		1 2 3 4 5				
		Spares for:- AERIAL assy, glide path, nose (1882/299A and 299A/UN)				
		Spares for:-				
4963	1882/353	BUSH, chamfered .....	2	-	MR	JB.2
	1882/341	BUSH, plain .....	2	-	MR	JB.2
	1882/333	BUSH, shouldered .....	1	-	MR/C	JB.2
		Attachment parts for 1882/333:-				
28D/17612	A.25-16A	Bolt .....	1	-	C	-
28DU/19002	A.102-16A	Bolt .....	1	-	C	-
28M/10326	AGS.2002-A1	Nut .....	1	-	C	-
6953	FOS.40/1	Nut .....	1	-	MR/C	-
28W/9419464	SP.13-A	Washer .....	1	-	C	-
28W/9147925	SP.122-A	Washer .....	1	-	C	-
28W/9995407	SP.25A	Washer .....	1	-	C	-
	1882/349	CLEAT, aft, starboard .....	1	-	MR	JB.3
	1882/351A	CLEAT assy, aft, port .....	1	-	MR	JB.3
	1882/345A	CLEAT assy, forward, port .....	1	-	MR	JB.3
10B/5970/99/971/5360	1882/343	CLEAT, forward, starboard .....	1	-	MR	JB.3
	1882/335	INSULATOR .....	1	-	MR	JB.3
		ANGLE assy, attachment (1810/4157A and 4157A/UN)				
		Spares for:-				
28M/11957	1810/4157B	ANGLE, attachment .....	1	-	MR	JB.3
6963	AGS.2007-C1	NUT, anchor .....	1	-	C	-
	FOS.41/4	NUT, anchor .....	1	-	MR/C	-
	1810/5407	PLATE, retaining .....	1	-	MR	JB.3
	1810/4487	ANGLE, hinge, frame, port .....	1	-	MR	JB.3
	1810/4488	ANGLE, hinge, frame, starboard .....	1	-	MR	JB.3
	1810/4849A	BEAM assy, support, forward .....	1	-	MR	JB.3
	1810/4479	BEAM, hinge, inboard, port .....	1	-	MR	JB.2
	1810/4480	BEAM, hinge, inboard, starboard .....	1	-	MR	JB.2
	1810/4481	BEAM, hinge, outboard, port .....	1	-	MR	JB.2
	1810/4482	BEAM, hinge, outboard, starboard .....	1	-	MR	JB.2
	1810/4527A	BRACKET assy, mounting, relay unit, frame 3 .....	1	-	MR	JB.2
	1810/4527A/UN	BRACKET assy, mounting, relay unit, frame 3 .....	1	-	MR	-
		Spares for:-				
28M/9434253	AGS.2007-B1	NUT, anchor .....	2	-	C	-
6961	FOS.41/2	NUT, anchor .....	2	-	MR/C	-
		Attachment parts for 1810/4527A and 4527A/UN:-				
8111	Tucker Eyelet Co. AD.44R	Rivet, "Imex" .....	A/R	-	C	-
		BRACKET assy, mounting (1810/5333AND and 5333AND/UN)				
		Spares for:-				
	1810/5371A	BRACKET assy, mounting, aft, port .....	1	-	MR	JB.3
	1810/5371A/UN	BRACKET assy, mounting, aft, port .....	1	-	MR	-

## FUSELAGE

## FRONT PORTION

Issued with A.L. No. 17

REF. No.	PART NUMBER	DESCRIPTION	No. Off	MATL. SPEC.	CL. OF ST.	PLATE No.	
					M.R. L.M.		
		1 2 3 4 5					
28M/9435067 6963	AGS.2008-C1	Spares for:—					
	FOS.41/4	NUT, anchor .....	1	—	MR	—	
	1810/5373A	NUT, anchor .....	1	—	MR/C	—	
	1810/5373A/UN	BRACKET assy, channel .....	1	—	MR	JB.3	
28M/12421 6972	AGS.2018-C1	Spares for:—					
	FOS.44/3	NUT, anchor .....	1	—	MR	—	
	1810/5369	NUT, anchor .....	1	—	MR/C	—	
	1810/4251	BRACKET, mounting .....	1	—	MR	JB.3	
	1810/4252	BRACKET, attachment, aft, port .....	1	—	MR	JB.3	
	1810/4252	BRACKET, attachment, aft, starboard .....	1	—	MR	JB.3	
	1810/4253	BRACKET, attachment, forward, port .....	1	—	MR	JB.3	
	1810/4254	BRACKET, attachment, forward, starboard .....	1	—	MR	JB.3	
	8111	Tucker Eyelet Co. AD.44R	Attachment parts for 1810/4251-4:—				
			Rivet, "Imex" .....	A/R	—	C	—
5524	1810/5331	BRACKET, corner .....	1	—	MR	JB.3	
	1810/4551	BRACKET, landing lamp .....	1	—	MR/C	JB.2	
8117	Tucker Eyelet Co. AD.410	Attachment parts for 1810/4551:—					
		Rivet, "Imex" .....	A/R	—	C	—	
6869 6927 6930 ‡6932 ‡7014 ‡6933 ‡7015	1810/7077	BRACKET, support, relay (Mod. 708) .....	1	—	—	JB.3	
	1810/7079	BRACKET, support, relay (Mod. 708) .....	1	—	—	JB.3	
	1810/4147	BRACKET, tie, frame 1, port .....	1	—	MR	JB.3	
	1810/4148	BRACKET, tie, frame 1, starboard .....	1	—	MR	JB.3	
	FOS.14/6	CLEAT .....	2	—	MR/C	—	
	FOS.22/P1	CLEAT .....	1	—	MR/C	—	
	FOS.22/S.1	CLEAT .....	1	—	MR/C	—	
	1810/5377	CLEAT, aft .....	1	—	MR	JB.3	
	FOS.23/1	CLEAT assy .....	3	—	MR/C	—	
	FOS.54/1	CLEAT assy .....	3	—	MR/C	—	
	FOS.23/2	CLEAT assy .....	5	—	MR/C	—	
	FOS.54/2	CLEAT assy .....	5	—	MR/C	—	
	1810/5375	CLEAT, forward .....	1	—	MR	JB.3	
	1810/4489	CLEAT, hinge, frame, port .....	1	—	MR	JB.3	
1810/4490	CLEAT, hinge frame, starboard .....	1	—	MR	JB.3		
1810/4505	CLEAT, nose frame, port .....	1	—	MR	JB.3		
1810/4506	CLEAT, nose frame, starboard .....	1	—	MR	JB.3		
28E/9998659	Terry AS.2295-2	CLIP, spring, strut stowage .....	2	—	C	JB.3	
28E/1006932	Terry AS.2294-1	CLIP, spring, strut stowage .....	2	—	C	JB.3	
	1810/4141	COAMING, port .....	1	—	MR	JB.3	
4032 5525	1810/4142	COAMING, starboard .....	1	—	MR	JB.3	
	1810/4499A	CONE assy, nose, perspex .....	1	—	MR/C	JB.2	
1810/4149A/UN 1810/4149A/1 1810/4149A/UN/1	1810/4499A/UN	CONE assy, nose, perspex .....	1	—	MR/C	JB.2	
	1810/4149A/1	DIAPHRAGM assy .....	1	—	MR	JB.3	
	1810/4149A/UN/1	DIAPHRAGM assy (Mod. 99) .....	1	—	MR	JB.3	
	1810/5157	Spares for:—	PLATE, retaining .....	1	—	MR	JB.3
		1810/6481	PLATE, retaining (Mod. 99) .....	2	—	MR	JB.3
	1810/4485	DIAPHRAGM, hinge, frame, port .....	1	—	MR	JB.3	
	1810/4486	DIAPHRAGM, hinge frame, starboard .....	1	—	MR	JB.3	
	1810/4503	DOUBLER, catch, aft .....	1	—	MR	JB.3	
	1810/4501	DOUBLER, catch, forward, port .....	1	—	MR	JB.3	
	1810/4502	DOUBLER, catch, forward, starboard .....	1	—	MR	JB.3	
1810/4483	DOUBLER, hinge frame, port .....	1	—	MR	JB.3		
1810/4484	DOUBLER, hinge frame, starboard .....	1	—	MR	JB.3		

FUSELAGE  
FRONT PORTION

Issued with A.L. No. 12

REF. No.	PART NUMBER	DESCRIPTION	No. OFF	MATL. SPEC.	CL. OF ST.	PLATE No.
					M.R. L.M.	
		1 2 3 4 5				
4772	1810/5265	END, fork, port .....	1	—	MR/C	JB.3
4773	1810/5266	END, fork, starboard .....	1	—	MR/C	JB.3
28M/9418915	A.125-E	Attachment parts for 1810/5265 and 5266:— Nut .....	1	—	C	—
5488	King Aircraft C.12977	FASTENER, aft (housing portion of C.12975 assy) ..	2	—	MR/C	JB.3
5487	King Aircraft C.12976	FASTENER, forward (housing portion of .....	2	—	MR/C	JB.3
		C.12974 assy) FRAME 1 assy, aft (1810/3899A) Spares for:—				
	1810/4521	CLEAT, port .....	1	—	MR	JB.3
	1810/4522	CLEAT, starboard .....	1	—	MR	JB.3
‡6859	FOS.8/5	CLEAT .....	2	—	MR/C	—
6928	FOS.22/P.2 1810/3899B	CLEAT .....	1	—	MR/C	—
		FRAME 1, aft .....	1	—	MR	JB.2
		FRAME 1 assy, forward, port (1810/3897A) FRAME 1 assy, forward, starboard (1810/3898A) Spares for:—				
‡6859	FOS.8/5	CLEAT .....	1	—	MR/C	—
	1810/3897B	FRAME 1, forward, port .....	1	—	MR	JB.2
	1810/3898B	FRAME 1, forward, starboard .....	1	—	MR	JB.2
	1810/3901A	FRAME 2 assy .....	1	—	MR	JB.2
	1810/3901A/UN	FRAME 2 assy .....	1	—	MR	—
		Spares for:—				
‡6859	FOS.8/5	CLEAT .....	2	—	MR/C	—
	1810/3905B	FRAME .....	1	—	MR	JB.2
		FRAME 3 assy, catch, aft (1810/3905A) .....	—	—	—	JB.2
		Spares for:—				
‡6859	FOS.8/5	CLEAT .....	1	—	MR/C	—
	1810/3903A	FRAME 3 assy, catch, forward .....	1	—	MR	JB.2
	1810/3903A/UN	FRAME 3 assy, catch, forward .....	1	—	MR	—
		Spares for:—				
‡6859	FOS.8/5	CLEAT .....	2	—	MR/C	—
‡6932	FOS.23/1	CLEAT assy .....	2	—	MR/C	—
‡7014	FOS.54/1	CLEAT assy .....	2	—	MR/C	—
		FRAME 3A assy (1810/3907A) Spares for:—				
	1810/4439	CLEAT, port .....	1	—	MR	JB.3
	1810/4440	CLEAT, starboard .....	1	—	MR	JB.3
	1810/4533	CLEAT, port .....	1	—	MR	JB.3
	1810/4534	CLEAT, starboard .....	1	—	MR	JB.3
‡6859	FOS.8/5	CLEAT .....	2	—	MR/C	—
	1810/3907B	FRAME 3A .....	1	—	MR	JB.2
		FRAME assy, hinge, side, port (1810/4477A) (Pre-Mod. 324) FRAME assy, hinge, side, port (1810/4477A/1) (Mod. 324) FRAME assy, hinge, side, starboard (1810/4478A) (Pre-Mod. 324) FRAME assy, hinge, side, starboard .....				
		(1810/4478A/1) (Mod. 324) Spares for:—				
	1810/4441	CLEAT, port .....	1	—	MR	JB.3
	1810/4442	CLEAT, starboard .....	1	—	MR	JB.3
	1810/4477B	FRAME, hinge, side, port .....	1	—	MR	JB.2
	1810/4478B	FRAME, hinge, side, starboard .....	1	—	MR	JB.2
	1810/4475	FRAME, hinge, centre .....	1	—	MR	JB.2
	1810/4507	FRAME, nose, fibreglass .....	1	—	MR	JB.2

FUSELAGE  
FRONT PORTION

Issued with A.L. No. 17

REF. No.	PART NUMBER	DESCRIPTION	No. OFF	MATL. SPEC.	CL. OF	PLATE
					ST.	
		1 2 3 4 5			M.R. L.M.	
3541	1810/4459A	HINGE assy .....	2	-	MR/C	JB.3
		Spares for:-				
	1810/4461	BUSH .....	2	-	MR	JB.3
	1810/4249	INTERCOSTAL, frame 1, port .....	1	-	MR	JB.3
	1810/4250	INTERCOSTAL, frame 1, starboard .....	1	-	MR	JB.3
	1810/3915	INTERCOSTAL, frames 1-2, port .....	1	-	MR	JB.2
	1810/3916	INTERCOSTAL, frames 1-2, starboard .....	1	-	MR	JB.2
	1810/4259	INTERCOSTAL, frames 2-3, port .....	1	-	MR	JB.2
	1810/4260	INTERCOSTAL, frames 2-3, starboard .....	1	-	MR	JB.2
	1810/4265	INTERCOSTAL, frames 3-3A, port .....	1	-	MR	JB.2
	1810/4267	INTERCOSTAL, frames 3-3A, starboard .....	1	-	MR	JB.2
		MOUNTING assy, aerial switch panel (Mod. 679) .....	-	-	-	JB.3
		(1810/7065A)				
		Spares for:-				
1497308	1810/7061A	ANGLE assy .....	1	-	C	JB.3
1497307	1810/7063A	ANGLE assy .....	1	-	C	JB.3
	1810/4859	MOUNTING, support, port .....	1	-	MR	-
	1810/4860	MOUNTING, support, starboard .....	1	-	MR	-
	1810/7067	MOUNTING, fuse block "S" (Mod. 708) .....	1	-	-	JB.3
	1810/7069	MOUNTING, warning unit (Mod. 708) .....	1	-	-	JB.3
	1810/7071	MOUNTING, 'Z' section, warning unit .....	1	-	-	JB.3
		(Mod. 708)				
	1810/7073	MOUNTING, plate, warning unit (Mod. 708) .....	1	-	-	JB.3
		Spares for 1810/7073:-				
8614	FOS.71.2.1	NUT, anchor .....	4	-	C	-
	1810/7075	MOUNTING, relay (Mod. 708) .....	1	-	-	JB.3
		Spares for 1810/7075:-				
8614	FOS.71.2.1	NUT, anchor .....	2	-	C	-
		Attachment parts for 1810/7075:-				
28DU/9419536	A.113.1.B	Bolt .....	4	-	C	-
	1810/4497ND/UN	PANEL, skin .....	1	-	MR	JB.2
	1810/4371A	PLATE assy, housing, spigot, aft, port .....	1	-	MR	JB.3
	1810/4372A	PLATE assy, housing, spigot, aft, starboard .....	1	-	MR	JB.3
	1810/4525A	PLATE assy, mounting, muting bias unit .....	1	-	MR	JB.3
	1810/4525A/UN	PLATE assy, mounting, muting bias unit .....	1	-	MR	-
		Spares for:-				
28M/9434253	AGS.2007-B1	NUT, anchor .....	3	-	C	-
6961	FOS.41/2	NUT, anchor .....	3	-	MR/C	-
28M/9434252	AGS.2018-B1	NUT, anchor .....	1	-	C	-
6971	FOS.44/1	NUT, anchor .....	1	-	MR/C	-
‡6939	FOS.25/1	PLATE, mounting .....	6	-	MR/C	-
	1810/4145	PLATE, throat, spigot .....	2	-	MR	JB.3
	1810/3909	PLATE, tie, port .....	1	-	MR	JB.3
	1810/3910	PLATE, tie, starboard .....	1	-	MR	JB.3
	1810/4131	PLATE, tie, port .....	2	-	MR	JB.3
	1810/4132	PLATE, tie, starboard .....	2	-	MR	JB.3
	1810/4133	PLATE, tie .....	4	-	MR	JB.3
‡5526	1810/4543ND	SEAL, coaming, aft, port .....	1	-	MR/C	JB.3
‡5527	1810/4544ND	SEAL, coaming, aft, starboard .....	1	-	MR/C	JB.3
5528	1810/4541/ND	SEAL, coaming, forward .....	2	-	MR/C	JB.3
‡7152	1810/5609ND	SEAL, frame, nose .....	1	-	MR/C	JB.2
4034	1810/4545	SEAL, frame, nose .....	1	-	MR/C	JB.2

FUSELAGE  
FRONT PORTION

Issued with A.L. No. 17

REF. No.	PART NUMBER	DESCRIPTION	No. OFF	MATL. SPEC.	CL. OF ST.	PLATE No.
					M.R. L.M.	
		1 2 3 4 5				
	1810/5269	STIFFENER, channel .....	1	—	MR	JB.2
	1810/5270	STIFFENER, channel .....	1	—	MR	JB.2
	1810/4274	STRINGER 1, frames 2-3 .....	2	—	MR	JB.2
	1810/4275	STRINGER 1, frames 3-3A, port .....	1	—	MR	JB.2
	1810/4276	STRINGER 1, frames 3-3A, starboard .....	1	—	MR	JB.2
	1810/5087	STRINGER 1, frame 3A to hinge frame, starboard ..	1	—	MR	JB.2
	1810/4263	STRINGER 2 .....	1	—	MR	JB.2
		STRINGER 2 assy, frames 2-3 (1810/4261A) .....	—	—	—	JB.2
		Spares for:—				
28M/9434253	AGS.2007-B1	NUT, anchor .....	2	—	C	—
6961	FOS.41/2	NUT, anchor .....	2	—	MR/C	—
	1810/4261B	STRINGER 2 .....	1	—	MR	JB.2
	1810/4269	STRINGER, frame 3A to hinge frame .....	1	—	MR	JB.2
5531	1810/4137	STRIP, retaining, aft, port .....	1	—	MR/C	JB.2
5532	1810/4139	STRIP, retaining, aft, starboard .....	1	—	MR/C	JB.2
5530	1810/4135	STRIP, retaining, forward .....	2	—	MR/C	JB.2
‡5533	1810/4537ND	STRIP, retaining, seal, starboard .....	2	—	MR/C	JB.2
4775	1810/5259A	STRUT assy, hatch support, port .....	1	—	MR/C	JB.3
4776	1810/5260A	STRUT assy, hatch support, starboard .....	1	—	MR/C	JB.3
		Spares for:—				
28FP/735	Aviation Developments A.405	PIN, "Pip", type A .....	1	—	C	JB.3
		Attachment parts for 1810/5259-60A:—				
28P/1013114	5SP.4Y-B8	Pin .....	1	—	C	—
28P/9429619	SP.9-C5	Pin, split .....	1	—	C	—
28W/9419402	SP.13-C	Washer .....	1	—	C	—
28W/9457834	SP.124-D	Washer .....	1	—	C	—
	1810/4445A	SUPPORT assy, battery, aft, port .....	1	—	MR	JB.3
	1810/4446A	SUPPORT assy, battery, aft, starboard .....	1	—	MR	JB.3
	1810/4443A	SUPPORT assy, battery, forward, port .....	1	—	MR	JB.3
	1810/4444A	SUPPORT assy, battery, forward, starboard .....	1	—	MR	JB.3
	1810/3911A	SUPPORT member assy, battery, forward .....	1	—	MR	JB.2
		Spares for:—				
	1810/4709	PACKING, 12 s.w.g. L.A. ....	2	L.72 DTD.560 or DTD.458A	LM	JB.3
	1810/4711	PACKING, rubber, 1/16" thick .....	2	DTD.458A	LM	JB.3
	1810/3913A	SUPPORT member assy, battery, at frame 2 .....	1	—	MR	JB.2
	1810/3913A/UN	SUPPORT member assy, battery, at frame 2 .....	1	—	MR	JB.2
		Spares for:—				
‡6932	FOS.23/1	CLEAT assy .....	1	—	MR/C	—
‡7014	FOS.54/1	CLEAT assy .....	1	—	MR/C	—
		Attachment parts for FOS.23/1 and FOS.54/1:—				
8111	Tucker Eyelet Co. AD.44R	Rivet, "Imex" .....	A/R	—	C	—
	1810/4709	PACKING, 12 s.w.g. L.A. ....	2	L.72 DTD.560 or DTD.458A	LM	JB.3
	1810/4711	PACKING, rubber, 1/16" thick .....	2	DTD.458A	LM	JB.3

## FUSELAGE

## FRONT PORTION

Issued with A.L. No. 17

REF. No.	PART NUMBER	DESCRIPTION	No. OFF	MATL. SPEC.	CL. OF ST.	PLATE No.
					M.R. L.M.	
		1 2 3 4 5				
1497304	1810/5271	WASHER, throat, port .....	1	—	MR	JB.3
	1810/5272	WASHER, throat, starboard .....	1	—	MR	JB.3
	1810/7057	GUARD, L.P. fuel cock teleflex and hydraulic selector rod (Mod. 879) .....	1	—	C	JB.31
	1810/4417	HOUSING, DATUM PEG .....	1	—	MR	JB.31
		INSULATION, COCKPIT, INSTALLATION (1810/4863A) Spares for:—				
5538	1810/4863B	PAD, insulating .....	1	—	MR/C	JB.8
5539	1810/4863C	PAD, insulating .....	1	—	MR/C	JB.8
5540	1810/4863D	PAD, insulating .....	1	—	MR/C	JB.8
5541	1810/4863E	PAD, insulating .....	1	—	MR/C	JB.8
5542	1810/4863F	PAD, insulating .....	1	—	MR/C	JB.8
5543	1810/4863G	PAD, insulating .....	1	—	MR/C	JB.8
5544	1810/4863H	PAD, insulating .....	1	—	MR/C	JB.8
5545	1810/4863J	PAD, insulating .....	1	—	MR/C	JB.8
5546	1910/4863K	PAD, insulating .....	1	—	MR/C	JB.8
5547	1810/4863L	PAD, insulating .....	1	—	MR/C	JB.8
5549	1810/4863N	PAD, insulating .....	1	—	MR/C	JB.8
5550	1810/4863P	PAD, insulating .....	1	—	MR/C	JB.8
5551	1810/4863Q	PAD, insulating .....	1	—	MR/C	JB.8
5552	1810/4863R	PAD, insulating .....	1	—	MR/C	JB.8
5553	1810/4863S	PAD, insulating .....	1	—	MR/C	JB.8
5556	1810/4863V	PAD, insulating .....	1	—	MR/C	JB.8
5557	1810/4863W	PAD, insulating .....	1	—	MR/C	JB.8
5560	1810/4863Z	PAD, insulating .....	1	—	MR/C	JB.8
5561	1810/4863BB	PAD, insulating .....	1	—	MR/C	JB.8
5563	1810/4863BD	PAD, insulating .....	1	—	MR/C	JB.8

FUSELAGE  
FRONT PORTION

Issued with A.L. No. 9

REF. No.	PART NUMBER	DESCRIPTION	No. OFF	MATL. SPEC.	CL. OF ST.	PLATE No.
					M.R. L.H.	
		1 2 3 4 5				
5564	1810/4863BE	PAD, insulating .....	1	—	MR/C	JB.8
5565	1810/4863BF	PAD, insulating (Pre-mod. 222) .....	1	—	MR/C	JB.8
5566	1810/4863BG	PAD, insulating .....	1	—	MR/C	JB.8
5567	1810/4863BH	PAD, insulating .....	1	—	MR/C	JB.8
7157	1810/4863BJ	PAD, insulating .....	1	—	MR/C	JB.8
7158	1810/4863BK	PAD, insulating .....	1	—	MR/C	JB.8
8204	1810/4863BL	PAD, insulating (Mod. 222) .....	1	—	MR/C	JB.8
6795	1810/6191	LABEL .....	1	—	MR/C	JB.11
		MECHANISM, "Q" SELECTOR, INSTALLATION, ... REAR COCKPIT (1816/1101A and 1101A/UN) Spares for:—				
7590	1816/1217/1	LEVER (Mod. 98) .....	1	—	MR/C	JB.12
		Attachment parts for 1816/1217/1:—				
28M/9480974	A.105-DS	Nut .....	1	—	C	—
28P/1009706	SP.4Y-A2	Pin .....	1	—	C	—
28P/1007740	SP.9-B4	Pin, split .....	1	—	C	—
28P/13563	SP.9-B5	Pin, split .....	1	—	C	—
28W/9157972	SP.126-D	Washer .....	1	—	C	—
	1816/1115	MOUNTING, lever (Mod. 98) .....	1	—	MR	JB.12
	Negretti & Zambra 4-41534	SELECTOR, "Q" .....	1	—	MR/A	—
		Spares for:—				
	Negretti & Zambra 2-43517	PIN, cotter, split .....	1	—	MR	—
	Negretti & Zambra 2-43507	RING, "O" .....	1	—	MR/C	—
8103	Negretti & Zambra 2-43509	SCREW, spring securing .....	1	—	MR	—
	Negretti & Zambra 2-43519	SPRING, inner .....	1	—	MR	—
	Negretti & Zambra 2-43518	SPRING, outer .....	1	—	MR	—
		Attachment parts for 4-41534:—				
28D/1010030	A.25-7C	Bolt .....	2	—	C	—
28DU/9419969	A.102-7D	Bolt .....	2	—	C	—
28M/10328	AGS.2002-C1	Nut .....	2	—	C	—
6956	FOS.40/4	Nut .....	2	—	MR/C	—
28W/9419545	SP.10-C	Washer .....	2	—	C	—
28W/9157972	SP.126-D	Washer .....	2	—	C	—
		MOUNTING ASSY, ANTI-VIBRATION, PORT .....				
		(1810/4873A and 4873A/UN)				
		MOUNTING ASSY, ANTI-VIBRATION, STARBOARD .....				
		(1810/4874A and 4874A/UN)				
		Spares for:—				
10AJ/5340- 99-120-1983		MOUNTING, A.V., type 953 .....	1	—	—	—
		Attachment parts for 10AJ/5340-99-120-1983:—				
28D/1010658	A.25-1B	Bolt .....	4	—	C	—
28DU/9480168	A.102-1C	Bolt .....	4	—	C	—
28M/10327	AGS.2002-B1	Nut .....	4	—	C	—
6955	FOS.40/3	Nut .....	4	—	MR/C	—
28W/9419474	SP.15-B	Washer .....	4	—	C	—
28W/9419404	SP.124-C	Washer .....	4	—	C	—
28M/15582	AGS.2018/C3	NUT, anchor .....	4	—	C	—
7037	FOS.69/4/2	NUT, anchor .....	4	—	MR/C	—

## FUSELAGE

## FRONT PORTION

Issued with A.L. No. 18

REF. No.	PART NUMBER	DESCRIPTION	No. OFF	MATL. SPEC.	CL. OF ST.	PLATE No.
					M.R. L.M.	
		1 2 3 4 5				
	1810/6609	PAD, rubber (Mod. 324) . . . . .	2	—	MR	JB.28
	1810/6611	PAD, rubber, port (Mod. 324) . . . . .	1	—	MR	JB.28
	1810/6612	PAD, rubber, starboard (Mod. 324) . . . . .	1	—	MR	JB.28
18		PANELS, cockpit fairing, rear (1810/1191A) . . . . .				
		Spares for:—				
18	28DU/9480269	A.173-1D	BOLT . . . . .	4	—	C
18		1881/1191D	PANEL assy, port . . . . .	1	—	
18	1498061	1881/1191E	PANEL assy, starboard . . . . .	1	—	C JB.7
		1810/6647A	PIPE assy, flanged, starboard (Mod. 324) . . . . .	1	—	C JB.33
		1810/6649A	PIPE assy, flanged, port (Mod. 324) . . . . .	1	—	C JB.33
		1810/6651A	PIPE assy, flanged, starboard (Mod. 324) . . . . .	1	—	C JB.33
		1810/6707A	PIPE assy, flanged, port (Mod. 324) . . . . .	1	—	C JB.33
		PLATING ASSY, SKIN, LOWER, FRAME 4 TO SLOPING BULKHEAD (1810/1091A and 1091A/UN)				
		Spares for:—				
	1810/2257	BUTTSTRAP, frame 4, port . . . . .	1	—	MR	JB.7
	1810/2259	BUTTSTRAP, frame 4, starboard . . . . .	1	—	MR	JB.7
	1810/4281	DOUBLER, starboard . . . . .	1	—	MR	JB.7
	1810/51ND	PANEL, skin . . . . .	1	—	MR	JB.7
	1810/51ND/UN	PANEL, skin . . . . .	1	—	MR	—
		Attachment parts for 1810/51ND and 51ND/UN:—				
8120	Tucker Eyelet Co. AK.44R	Rivet, "Imex" . . . . .	A/R	—	C	—
	1810/5297	PLATE, drain (Pre-mod. 344) . . . . .	1	—	MR	JB.7
	1810/6719	PLATE, doubler (Mod. 344) . . . . .	1	—	MR	JB.7
		PROVISION for tacan aerial . . . . .				
		(1810/4627A and 4627A/UN)				
		Spares for:—				
	1810/4619	DOUBLER . . . . .	1	—	MR	JB.7
	1810/4619/UN	DOUBLER . . . . .	1	—	MR	—
	1810/4627C	RING, packing . . . . .	1	—	MR	JB.7
27QA/300	Dowty SP.900-C5	RING, sealing . . . . .	1	—	C	—
		SUPPORT assy, nut (1810/5295A and 5295A/UN) . . . . .				
		Spares for:—				
28M/9435068	AGS.2008-E1	NUT, anchor . . . . .	1	—	C	—
6964	FOS.41/5	NUT, anchor . . . . .	1	—	MR/C	—
	1810/5295B	SUPPORT, nut (Pre-mod. 344) . . . . .	1	—	MR	JB.7
		Attachment parts for 1810/5295A and 5295A/UN:—				
28D/12135	AS.1248-5E	Bolt . . . . .	1	—	C	—
28DU/9415775	A.114-5E	Bolt . . . . .	1	—	C	—
		PLATING ASSY, SKIN, LOWER, SLOPING BULKHEAD TO FRAME 12 (1810/2763A and 2763A/UN)				JB.23
		Spares for:—				
	1810/901	ANGLE, frame 9, port . . . . .	1	—	MR	JB.23
	1810/902	ANGLE, frame 9, starboard . . . . .	1	—	MR	JB.23
	1810/903	ANGLE, frame 9, port (Pre-mod. 316) . . . . .	1	—	MR	—
	1810/903/1	ANGLE, frame 9, port (Mod. 316) . . . . .	1	—	MR	JB.23
	1810/904	ANGLE, frame 9, starboard (Pre-mod. 316) . . . . .	1	—	MR	—
	1810/904/1	ANGLE, frame 9, starboard (Mod. 316) . . . . .	1	—	MR	JB.23
	1810/905	ANGLE, frame 9, port . . . . .	1	—	MR	JB.23
	1810/906	ANGLE, frame 9, starboard . . . . .	1	—	MR	JB.23
	1810/907	ANGLE, frame 9, port . . . . .	1	—	MR	JB.23
	1810/908	ANGLE, frame 9, starboard . . . . .	1	—	MR	JB.23
	1810/1215	ANGLE, frame 8C, port . . . . .	1	—	MR	JB.23
	1810/1217	ANGLE, frame 9C, starboard . . . . .	1	—	MR	JB.23
	1810/867	BUTTSTRAP, sloping bulkhead, port . . . . .	1	—	MR	JB.23
	1810/868	BUTTSTRAP, sloping bulkhead, starboard . . . . .	1	—	MR	JB.23

## FUSELAGE

## FRONT PORTION

Issued with A.L. No. 18

REF. No.	PART NUMBER	DESCRIPTION	No. OFF	MATL. SPEC.	CL. OF ST.	PLATE No.
					M.R. L.M.	
		1 2 3 4 5				
7987	1810/2427	BUTTSTRAP, sloping bulkhead to frame 9, port . . . .	1	—	MR	JB.23
	1810/2428	BUTTSTRAP, sloping bulkhead to frame 9, starboard	1	—	MR	JB.23
	1810/3115A/1	DOOR assy, access, frame 9C-11 (Mod. 123) . . . . . (Pre-mod. 344)	1	—	MR/C	—
8714	1810/3115A/2	DOOR assy, access, frame 9C (Mod. 344) . . . . .	1	—	MR/C	—
7988	1810/3115A/UN/1	DOOR assy, access, frame 9C-11 (Mod. 123) . . . . . (Pre-mod. 344)	1	—	MR/C	—
15704	1810/3115A	DOOR assy, access, frame 9C-11 (Mod. 592) . . . . . (Mod. 255)	1	—	C	—
8347	1810/6665A	DOOR assy, access, frame 9C-11 (Mod. 344) . . . . .	1	—	MR/C	JB.23
8350	1810/6665-C	Spares for:— SEAL, rubber . . . . .	1	—	C	JB.23
		Attachment parts for 1810/3115A/1 and 3115A/UN/1:—				
28D/13461	AS.3297-2C	Bolt . . . . .	16	—	C	—
28DU/9480270	A.173-2D	Bolt . . . . .	16	—	C	—
28S/9419431	AS.2996-5C	Screw . . . . .	6	—	C	—
28S/1200/336	A.204-D16	Screw . . . . .	6	—	C	—
	1810/3105	DOUBLER, frame 9C, port . . . . .	1	—	MR	JB.23
	1810/3107	DOUBLER, frame 9C, starboard . . . . .	1	—	MR	JB.23
	1810/3765	DOUBLER, frame 11 . . . . .	1	—	MR	JB.23
	1810/911	LANDING, door, port . . . . .	1	—	MR	JB.23
	1810/912	LANDING, door, starboard . . . . .	1	—	MR	JB.23
28M/11957	AGS.2007-C1	NUT, anchor . . . . .	9	—	C	—
6963	FOS.41/4	NUT, anchor . . . . .	9	—	MR/C	—
28M/9435067	AGS.2008-C1	NUT, anchor . . . . .	3	—	C	—
6963	FOS.41/4	NUT, anchor . . . . .	3	—	MR/C	—
28M/12421	GAS.2018-C1	NUT, anchor . . . . .	3	—	C	—
28M/9438469	A.157-D	NUT, anchor . . . . .	3	—	C	—
	1810/3109	PACKING, tapered, frame 9C . . . . .	1	—	MR	JB.23
	1810/3111	PACKING, tapered, frame 9C . . . . .	1	—	MR	JB.23
	1810/3113	PACKING, frame 11 . . . . .	2	—	MR	JB.23
8598	1810/3117A/1	PANEL assy, access, frame 11-12 (Mod. 496) . . . . .	1	—	MR/C	JB.23
8599	1810/3117A/UN/1	PANEL assy, access, frame 11-12 (Mod. 496) . . . . . Spares for:—	1	—	MR/C	—
8496	1810/6893	ANGLE (Mod. 496) . . . . .	1	—	MR/C	JB.23
5628	1810/3499	GASKET . . . . .	1	—	MR/C	JB.23
		Attachment parts for 1819/3117A and 3117A/UN:—				
28D/13697	AS.3297-3C	Bolt . . . . .	7	—	C	—
28DU/948027	A.173-3D	Bolt . . . . .	7	—	C	—
8984	1810/31178/1	HINGE (Mod. 496) . . . . .	1	—	MR/C	JB.23
7989	1810/3267A/1	PANEL assy, access, frame 9C (Mod. 123) . . . . .	1	—	MR/C	JB.23
7990	1810/3267A/UN/1	PANEL assy, access, frame 9C (Mod. 123) . . . . . (Pre-mod. 525)	1	—	MR/C	—
		Attachment parts for 1810/3267A/1 and 3267A/UN/1:—				
28D/13461	AS.3297-2C	Bolt . . . . .	9	—	C	—
28DU/9480270	A.173-2D	Bolt . . . . .	9	—	C	—
‡6786	1810/5185A	PANEL assy, detachable, port (Mod. 551) . . . . .	1	—	MR/C	—
8987	1810/5185A/1	PANEL assy, detachable, port (Mod. 551) . . . . .	1	—	MR/C	JB.23
‡6787	1810/5185A/UN	PANEL assy, detachable, port (Mod. 551) . . . . .	1	—	MR/C	—
8988	1810/5185A/UN/1	PANEL assy, detachable, port (Mod. 551) . . . . . Spares for:—	1	—	MR/C	—
	1810/1523	PLATE, retaining . . . . .	1	22 s.w.g	MR/LM	JB.23
	1310/1591ND	SEAL, "Linatex", "Hycar" covered (P) . . . . .	1	L.72	MR/LM	JB.23
8985	1810/6975	SEAL, port (Mod. 551) . . . . .	1	K.0118	MR/C	JB.23

## FUSELAGE

## FRONT PORTION

Issued with A.L. No. 16

REF. No.	PART NUMBER	DESCRIPTION	No. OFF	MATL. SPEC.	CL. OF ST.	PLATE No.
					M.R. L.M.	
		1 2 3 4 5				
6790	1810/1303	STRIP, capping, port .....	1	—	MR/C	JB.23
6792	1810/1521	STRIP, rubber .....	1	—	MR/C	JB.23
		Attachment parts for 1810/5815A to 5815A/UN/1/525:—				
28D/9436920	A.25-1C	Bolt: .....	4	—	C	
28DU/9419565	A.102-1D	Bolt: .....	4	—	C	
28D/9133012	A.25-3C	Bolt: .....	2	—	C	
28DU/9419566	A.102-3D	Bolt: .....	2	—	C	
±6788	1810/5186A	PANEL assy, detachable, starboard (Mod. 551) .....	1	—	MR/C	
8989	1810/5186A/1	PANEL assy, detachable, starboard (Mod. 551) .....	1	—	MR/C	JB.23
±6789	1810/5186A/UN	PANEL assy, detachable, starboard (Mod. 551) .....	1	—	MR/C	
8990	1810/5186A/UN/1	PANEL assy, detachable, starboard (Mod. 551) .....	1	—	MR/C	
		Spares for:—				
	1810/1523	PLATE, retaining .....	1	22 s.w.g. L.72	MR/LM	JB.23
	1310/1591ND	SEAL, "Linastex", "Hycar" covered (S) .....	1	K.0118	MR/LM	JB.23
8986	1810/6976	SEAL, starboard (Mod. 551) .....	1	—	MR/C	JB.23
6791	1810/1304	STRIP, capping, starboard .....	1	—	MR/C	JB.23
6792	1810/1521	STRIP, rubber .....	1	—	MR/C	JB.23
		Attachment parts for 1810/5186A to 5186A/UN/1/525:—				
28D/9436920	A.25-1C	Bolt: .....	4	—	C	
28DU/9419565	A.102-1D	Bolt: .....	4	—	C	
28D/9133012	A.25-3C	Bolt: .....	2	—	C	
28DU/9419566	A.102-3D	Bolt: .....	2	—	C	
	1810/2847ND	PANEL, skin, port .....	1	—	MR	JB.23
	1810/2848ND	PANEL, skin, starboard .....	1	—	MR	JB.23
	1810/1519	PLATE, gap cover, sloping bulkhead .....	1	—	MR	JB.23
	1810/7081E	PLATE, throat (Mod. 729) .....	1	—	MR	JB.23
	1810/6947A	VALVE assy, drain (Mod. 516) .....	1	—	MR	JB.23
	1810/7083A	VALVE assy, drain (Mod. 729) .....	1	—	MR	JB.23
8807	1810/6953	WASHER, sealing (Mod. 516) .....	1	—	MR/C	JB.23
		PLATING ASSY, SKIN, NOSE, FRG. 1-4 (1810/1137A and 1137A/UN)				
		Spares for:—				
8195	1810/6397A/UN	BRACKET assy (Mod. 221) .....	1	—	MR/C	JB.27
8196	1810/6399A/UN	BRACKET assy (Mod. 221) .....	1	—	MR/C	JB.7
	1810/4169ND	BUTTSTRAP, lower, frame 3 .....	1	—	MR	JB.7
	1810/4167	BUTTSTRAP, side, frame 3, port .....	1	—	MR	JB.7
	1810/4168	BUTTSTRAP, side, frame 3, starboard .....	1	—	MR	JB.7
	1810/4187	DISHING, frame 3 .....	1	—	MR	JB.7
3534	1810/4119A	DOOR assy, frames 3-4, port (Pre-mod. 525) .....	1	—	MR/B	JB.7
3535	1810/4120A	DOOR assy, frames 3-4, starboard (Pre-mod. 525) .....	1	—	MR/B	JB.7
		Spares for:—				
1573	King A.C. C.5330	FASTENER .....	3	—	MR/D	JB.7
5621	King A.C. C.5330/X	FASTENER .....	4	—	MR/C	JB.7
	1810/4123	HINGE .....	1	—	MR	JB.7
	1810/4125	HINGE .....	1	—	MR	JB.7
5622	1810/4119C	SEAL, rubber .....	1	—	MR/C	JB.7
5623	1810/4119D	SEAL, rubber .....	1	—	MR/C	JB.7
5624	1810/4119E	SEAL, rubber .....	1	—	MR/C	JB.7

FUSELAGE  
FRONT PORTION

Issued with A.L. No. 9

	1810/4173	DOUBLER, door lower, port	...	...	...	1	—	MR	JB.7
	1810/4175	DOUBLER, door lower, starboard	...	...	...	1	—	MR	JB.7
	1810/4171	DOUBLER, door, top, port	...	...	...	1	—	MR	JB.7
	1810/4172	DOUBLER, door, top, starboard	...	...	...	1	—	MR	JB.7
	1810/4773	DOUBLER, drain hoses	...	...	...	1	—	MR	JB.7
	1810/4207ND	DOUBLER, frames 2A	...	...	...	1	—	MR	JB.7
1562	King A.C. C.7809	FASTENER	...	...	...	14	—	MR/C	JB.7
3532	King A.C. D.12981	FASTENER, attachment, lever (C.12974 assy.)	...	...	...	2	—	MR/C	JB.7
3533	King A.C. D.12982	FASTENER, attachment, lever (C.12975 assy.)	...	...	...	2	—	MR/C	JB.7
5351	1810/5443A	GUARD assy, vent	...	...	...	2	—	C	
9080	1810/4185A	HOUSING assy, pitôt static	...	...	...	1	—	MR	JB.7
	1810/4185A/UN	HOUSING assy, pitôt static	...	...	...	1	—	MR	JB.7
		Spares for :—							
± 5625	1810/1449	COLLET	...	...	...	2	—	MR/C	JB.7
	1810/4291	PAD, rubber	...	...	...	1	—	MR	JB.7
	1810/6073ND	PANEL, skin (Mod. 99)	...	...	...	1	—	MR	JB.7
	1810/6073ND/UN	PANEL, skin (Mod. 99)	...	...	...	1	—	MR	—

## FUSELAGE

## FRONT PORTION

Issued with A.L. No. 14

REF. No.	PART NUMBER	DESCRIPTION	No. OFF	MATL. SPEC.	CL. OF ST.	PLATE No.
					M.R. L.M.	
		1 2 3 4 5				
	1810/4177ND	PLATE, buttstrap, frame 4	1	—	MR	JB.7
	1810/4181A	VENT assy, port	1	—	MR	JB.7
	1810/4182A	VENT assy, starboard	1	—	MR	JB.7
	1810/4183A	VENT assy, pipes, battery	1	—	MR	JB.7
		PLATING ASSY, SKIN, FRAMES 4-9 (1810/2765-6A and 27656A/UN) Spares for:—				
4035	1810/4655A	DOOR assy, canopy release, emergency	1	—	MR/C	JB.7
5630	1810/4655A/UN	DOOR assy, canopy release, emergency	1	—	MR/C	—
		Attachment parts for 1810/4655A and 4655A/UN:—				
28D/8300	AS.1242-1B	Bolt	3	—	C	—
28DU/9480268	A.173-1C	Bolt	3	—	C	—
9086	1810/6345A	FAIRING assy, canopy handle catch	1	—	MR/C	JB.7
7991	1810/6345A/UN	FAIRING assy, canopy handle catch (Mod. 124)	1	—	MR/C	—
		Attachment parts for 1810/6345A, 6345A/UN:—				
28DU/9480268	A.173-1C	Bolt	4	—	C	—
		Bolt	4	—	C	—
		Nut	4	—	C	—
28M/9438427	A.126-C	Nut	4	—	C	—
28W/9419475	SP.15-C	Washer	4	—	C	—
28W/1014056	SP.124-C	Washer	4	—	C	—
3153	1810/3209	PANEL, access, frame 4-5, port	1	—	MR/C	JB.7
5631	1810/3209/UN	PANEL, access, frame 4-5, port (Pre-mod. 525)	1	—	MR/C	JB.7
3154	1810/3210	PANEL, access, frame 4-5, starboard	1	—	MR/C	JB.7
5632	1810/3210/UN	PANEL, access, frame 4-5, starboard (Pre-mod. 525)	1	—	MR/C	—
		Attachment parts for 1810/3209-10 and 3209-10/UN:—				
28D/13461	AS.3297-2C	Bolt	8	—	C	—
28DU/9480270	A.173-2D	Bolt	8	—	C	—
3128	1810/3253ND	PANEL, skin, port	1	—	C	JB.7
	1810/3253ND/UN	PANEL, skin, port	1	—	MR	—
3129	1810/3254ND	PANEL, skin, starboard	1	—	C	JB.7
	1810/3254ND/UN	PANEL, skin, starboard	1	—	MR	—
	1815/1221A	PIPE assy, flanged (Port, 1 off, starboard, 2 off)	3	—	MR	JB.7
	1810/5591ND	SEAL, rubber, Linatex, 1" wide	A/R	Commercial	MR/LM	JB.7
	KO.139	SEAL, "Linatex" x approx. 20"	1	—	C	JB.7
3155	1810/3213	SEAL, rubber, at panel	1	—	MR/C	JB.7
	1810/3257	STRIP, seal retaining	2	20 s.w.g. L.72	MR/LM	JB.7
	1810/6495ND	STRIP, seal retaining	1	20 s.w.g. L.72	MR/LM	JB.7
6850	FOS.6-1/8	TAG, wire locking	1	—	MR/C	—
7689	1815/2013A	PROP, CANOPY, G.A., PORT (Mod. 359)	1	—	MR/B	JB.38
7690	1815/2014A	PROP, CANOPY, G.A., STARBOARD (Mod. 359)	1	—	MR/B	JB.38
		Spares for:—				
7546	1815/1501	CATCH, L.H.	1	—	MR/C	JB.38
7547	1815/1502	CATCH, R.H.	1	—	MR/C	JB.38
		Attachment parts for 1815/1501-2:—				
7548	1815/1507	Pin	1	—	MR/C	JB.38
7549	1815/1995A	END assy, eye	1	—	MR/B	JB.38
		Spares for:—				
28N/13510	Hoffman C.J.O	JOINT, self-aligning	1	—	C	JB.38

FUSELAGE  
FRONT PORTION

Issued with A.L. No. 14

REF. No.	PART NUMBER	DESCRIPTION	No. OFF	MATL. SPEC.	CL. OF ST.	PLATE No.
					M.R. L.M.	
		1 2 3 4 5				
‡7550	1815/1499	END, fork .....	1	—	MR/C	JB.38
28P/13564	SP.28-G.6	Attachment parts for 1815/1499:— Pin, taper .....	2	—	C	—
‡7551	1815/1509	FITTING, screwed end .....	1	—	MR/C	JB.38
28P/13564	SP.28-G.6	Attachment parts for 1815/1509:— Pin, taper .....	2	—	C	—
28M/9416089	A.105-GT	NUT .....	1	—	C	—
7552	1815/1503	PLUNGER .....	1	—	MR/C	JB.38
7553	1815/1505	SPRING, compression .....	1	—	MR/C	JB.38
28P/837	SP.4-B11	Attachment parts for 1815/2013-4A: Pin .....	1	—	C	—
28P/9429619	SP.9-C5	Pin, split .....	1	—	C	—
28W/9419475	SP.15-C	Washer .....	3	—	C	—
28W/9457834	SP.124-D	Washer .....	3	—	C	—
8480	1815/2107	Tube, distance (Mod. 359) .....	2	—	MR/C	JB.38
8967	AD.44	RIVET, "Imex" (Mod. 679) .....	2	—	C	—
2319	1810/2173	SCREW, grub, datum points .....	1	—	MR/C	JB.7
		SEAL ASSY, NOSE, UNDERCARRIAGE DOOR (1810/825A) Spares for:—				
1047	1810/827	ANGLE, retaining .....	2	—	MR/C	JB.23
‡1048	1810/1289	ANGLE, retaining .....	1	—	MR/C	JB.23
6176	1810/6143A	SEAL sub-assy, windscreen canopy, port .....	1	—	MR/C	JB.11
7240	1810/6143A/UN	SEAL sub-assy, windscreen canopy, port .....	1	—	—	—
		Attachment parts for 1810/6143A and 6143A/UN:—				
28D/8307	AS.1242-2C	Bolt (1815/19A) .....	2	—	C	—
28DU/9480270	A.173-2D	Bolt (1815/19A/UN) .....	2	—	C	—
28D/14950	AS.4563-1C	Bolt (1815/19A) .....	1	—	C	—
28DU/9436331	A.175-1D	Bolt (1815/19A/UN) .....	1	—	C	—
28D/14967	AS.4563-2C	Bolt (1815/19A) .....	1	—	C	—
28DU/18092	A.175-2D	Bolt (1815/19A/UN) .....	1	—	C	—
6948	FOS.33/1	Bolt .....	2	—	MR/C	—
7018	FOS.55/1	Bolt .....	2	—	MR/C	—
6949	FOS.33/4	Bolt .....	1	—	MR/C	—
7019	FOS.55/4	Bolt .....	1	—	MR/C	—
28M/10319	AGS.2002-C3	Nut .....	5	—	C	—
28M/9438439	A.130-D	Nut .....	5	—	C	—
28W/9419402	SP.13-C	Washer .....	3	—	C	—
28W/17284	SP.122-D	Washer .....	3	—	C	—
28W/9419475	SP.15-C	Washer (1815/19A) .....	2	—	C	—
28W/9457834	SP.124-D	Washer (1815/19A/UN) .....	2	—	C	—
6177	1810/6144A	SEAL sub-assy, windscreen canopy, starboard .....	1	—	MR/C	JB.11
7241	1810/6144A/UN	SEAL sub-assy, windscreen canopy, starboard .....	1	—	MR/C	—
		Attachment parts for 1810/6144A and 6144A/UN:—				
28D/8306	AS.1242-1C	Bolt (1815/19A) .....	1	—	C	—
28DU/9480269	A.173-1D	Bolt (1815/19A/UN) .....	1	—	C	—
28D/8307	AS.1242-2C	Bolt (1815/19A) .....	3	—	C	—

## FUSELAGE

## FRONT PORTION

Issued with A.L. No. 13

REF. No.	PART NUMBER	DESCRIPTION	No. OFF	MATL. SPEC.	CL. OF ST.	PLATE No.
					M.R. L.M.	
		1 2 3 4 5				
28DU/9480270	A.173-2D	Bolt (1815/19A/UN) .....	3	-	C	-
28D/11564	AS.1246-1C	Bolt .....	2	-	C	-
28DU/9480234	A.116-1D	Bolt .....	2	-	C	-
28D/11971	AS.1246-4C	Bolt .....	1	-	C	-
28DU/9480237	A.116-4D	Bolt .....	1	-	C	-
28D/15086	AS.4566-1C	Bolt .....	2	-	C	-
28DU/9434467	A.170-1D	Bolt .....	2	-	C	-
28M/10328	AGS.2002-C1	Nut .....	3	-	C	-
6956	FOS.40/4	Nut .....	3	-	MR/C	-
28M/10319	AGS.2002-C3	Nut (1815/19A) .....	2	-	C	-
28M/9438439	A.130-D	Nut (1815/19A/UN) .....	2	-	C	-
28W/9419402	SP.13-C	Washer .....	2	-	C	-
28W/17284	SP.122-D	Washer .....	2	-	C	-
28W/9419475	SP.15-C	Washer (1815/19A) .....	3	-	C	-
28W/9457834	SP.124-D	Washer (1815/19A/UN) .....	3	-	C	-
SEALING OF PILOT'S FLOOR (1810/6123A and 6123A/UN)						
Spares for:-						
	1810/6109	ANCHOR, strip seal, at sloping bulkhead, starboard ..	1	-	MR	JB.31
Attachment parts for 1810/6109:-						
28D/9436920	A.25-1C	Bolt .....	2	-	C	-
28DU/9419565	A.102-1D	Bolt .....	2	-	C	-
28N/1254	AGS.191-B	Burr .....	1	-	C	-
28M/10288	AGS.2001-C1	Nut .....	2	-	C	-
6975	FOS.46/4	Nut .....	2	-	C	-
28W/9419475	SP.15-C	Washer .....	2	-	C	-
28W/9457834	SP.124-D	Washer .....	2	-	C	-
-	1810/6589	BLOCK, sealing (Amendt. 319) .....	2	-	MR	JB.40
-	1810/6597	BLOCK, sealing (Amendt. 319) .....	2	-	MR	JB.40
-	1810/6587	BUNG, sealing (Amendt. 319) .....	1	-	MR	JB.40
-	1810/6619	DISC, sealing (Amendt. 319) .....	1	-	MR	JB.40
7242	1810/6121	PAD, sealing, rubber, at seat tube-floor clearance hole	2	-	MR/C	JB.30
-	1810/6595	PLATE, blanking (Amendt. 319) .....	3	-	MR	JB.40
-	1810/6591	RING, sealing (Amendt. 319) .....	1	-	MR	JB.40
-	1810/6593	RING, sealing (Amendt. 319) .....	1	-	MR	JB.40
-	1810/6615	RING, sealing (Amendt. 319) .....	1	-	MR	JB.40
-	1810/6617	RING, sealing (Amendt. 319) .....	1	-	MR	JB.40
-	1810/6583	SEAL, rubber (Amendt. 319) .....	1	-	MR	JB.40
-	1810/6589	SEAL, rubber (Amendt. 319) .....	1	-	MR	JB.40
7243	1810/6111	SEAL, rubber, at sloping bulkhead, starboard .....	1	-	MR/C	JB.31
SHEARWALL ASSY, PORT (1810/2341A and 2341A/UN)						
Spares for:-						
	1810/6483	ANGLE (Pre-mod. 679) .....	1	-	MR	JB.19
	1810/6485	ANGLE (Pre-mod. 679) .....	1	-	MR	JB.19
		ANGLE assy, support, throttle box, rear (1810/1783A and 1783A/UN)				
Spares for:-						
	1810/2203ND	ANGLE .....	1	-	MR	JB.19
28M/9435067	AGS.2008-C1	NUT, anchor .....	3	-	C	-
6963	FOS.41/4	NUT, anchor .....	3	-	MR/C	-
28M/9144673	AGS.2019-C1	NUT, anchor .....	1	-	C	-
7036	FOS.68/4/1	NUT, anchor .....	1	-	MR/C	-

**RESTRICTED****FUSELAGE****FRONT PORTION**

Issued with A.L. No. 13

REF. No.	PART NUMBER	DESCRIPTION	No. OFF	MATL. SPEC.	CL. OF ST.	PLATE No.
					M.R. L.M.	
		1 2 3 4 5				
	1810/1009	ANGLE, attachment, bottom . . . . .	1	—	MR	JB.19
		Attachment parts for 1810/1009:—				
8110	Tucker Eyelet Co. AD.42R	Rivet, "Imex" . . . . .	A/R	—	C	—
8112	Tucker Eyelet Co. AD.46R	Rivet, "Imex" . . . . .	A/R	—	C	—
		ANGLE, between frame 9C and 10 (1810/2289A and 2289A/UN) Spares for:—				
	1810/1881ND	ANGLE . . . . .	1	—	MR	JB.19
	1810/2365	ANGLE, bottom, inner . . . . .	1	—	MR	JB.19
	1810/2365/UN	ANGLE, bottom, inner . . . . .	1	—	MR	—
	1810/1017	ANGLE, bottom, inner, rear . . . . .	1	—	MR	JB.19
		Attachment parts for 1810/1017:—				
8110	Tucker Eyelet Co. AD.42R	Rivet, "Imex" . . . . .	A/R	—	C	—
8112	Tucker Eyelet Co. AD.46R	Rivet, "Imex" . . . . .	A/R	—	C	—
	1810/1013	ANGLE, bottom, outer . . . . .	1	—	MR	JB.19
		Attachment parts for 1810/1013:—				
8110	Tucker Eyelet Co. AD.42R	Rivet, "Imex" . . . . .	A/R	—	C	—
8112	Tucker Eyelet Co. AD.46R	Rivet, "Imex" . . . . .	A/R	—	C	—
	1810/1015	ANGLE, bottom, outer, rear . . . . .	1	—	MR	JB.19
		Attachment parts for 1810/1015:—				
8110	Tucker Eyelet Co. AD.42R	Rivet, "Imex" . . . . .	A/R	—	C	—
8112	Tucker Eyelet Co. AD.46R	Rivet, "Imex" . . . . .	A/R	—	C	—
	1810/2367	ANGLE, front, inner . . . . .	1	—	MR	JB.19
	1810/2367/UN	ANGLE, front, inner . . . . .	1	—	MR	—
	1810/2369	ANGLE, front, outer . . . . .	1	—	MR	JB.19
	1810/2369/UN	ANGLE, front, outer . . . . .	1	—	MR	—
9078	1810/3889A	ATTACHMENT assy, pulley guard . . . . .	1	—	MR	JB.19
6793	1810/3889A/UN	ATTACHMENT assy, pulley guard . . . . .	1	—	MR/C	JB.19
		Spares for:—				
28M/11957	AGS.2007-C1	NUT, anchor . . . . .	1	—	C	—
6963	FOS.41/4	NUT, anchor . . . . .	1	—	MR/C	—
1483800	1810/6983A	BRACKET assy (Mod. 492) . . . . .	1	—	C	—
	1810/4705A	BRACKET assy . . . . .	2	—	MR	—
9185	1881/1877A	BRACKET assy . . . . .	1	—	MR/C	JB.19
7804	1881/1877A/UN	BRACKET assy (Mod. 95) . . . . .	1	—	MR/C	—
		Spares for:—				
28M/13774	AGS.2019-B1	NUT, anchor . . . . .	2	—	MR/C	—
6971	FOS.44/1	NUT, anchor . . . . .	2	—	MR/C	—
		Attachment parts for 1881/1877A and 1877A/UN:—				
8110	AD.42R	Rivet, "Imex" . . . . .	4	—	C	—
	1810/6509A	BRACKET assy, mounting . . . . .	1	—	MR	—
8132	1810/6509A/UN	BRACKET assy, mounting (Pre-mod. 503) . . . . .	1	—	MR	—
9052	1810/6509A/UN/1	BRACKET assy, mounting (Mod. 503) . . . . .	1	—	MR	JB.19

**RESTRICTED**

## FUSELAGE

## FRONT PORTION

Issued with A.L. No. 13

REF. No.	PART NUMBER	DESCRIPTION	No. OFF	MATL. SPEC.	CL. OF ST.	PLATE No.
					M.R. L.M.	
		1 2 3 4 5				
-	-	BRACKET assy, mounting (Mod. 399) (1810/6937A and 6937A/UN) Spares for:-				
-	1810/6937B	BRACKET .....	1	-	MR	JB.19
		BRACKET assy, mounting, microswitch (1810/6945) (Pre-mod. 679) Spares for:-				
9053	1810/6919	PLATE, mounting (Mod. 303) .....	1	-	MR/C	JB.19
9009	AD.54	RIVET, "Imex" (Mod. 303) .....	6	-	C	
		BRACKET assy, mounting, contactor (1810/4731A and 5731A/UN) Spares for:-				
	1810/4731B/1	BRACKET (Mod. 229) .....	1	-	MR	JB.19
		Attachment parts for 1810/4731A and 4731A/UN:-				
8110	Tucker Eyelet Co. AD.42R	Rivet, "Imex" .....	A/R	-	C	-
8112	Tucker Eyelet Co. AD.45R	Rivet, "Imex" .....	A/R	-	C	-
	1810/3059A	BRACKET assy, mounting, pulley .....	1	-	MR	JB.19
		BRACKET assy, mounting, switch (1810/4729A and 4729A/UN)				

## FUSELAGE

## FRONT PORTION

Issued with A.L. No. 13

REF. No.	PART NUMBER	DESCRIPTION	No. OFF	MATL. SPEC.	CL. OF ST.	PLATE No.
					M.R. L.M.	
		1 2 3 4 5				
		Spares for:—				
	1810/4729B	BRACKET .....	1	—	MR	JB.19
6909	FOS.20/1B	CLEAT .....	1	—	MR/C	—
28M/9434251	AGS.2008-B1	NUT, anchor .....	1	—	C	—
6961	FOS.41/2	NUT, anchor .....	1	—	MR/C	—
28M/13774	AGS.2019-B1	NUT, anchor .....	2	—	C	—
6971	FOS.44/1	NUT, anchor .....	2	—	MR/C	—
	1810/3149A/UN	BRACKET assy, pulley .....	1	—	MR	JB.19
	1810/4511	CLEAT .....	1	—	MR	JB.19
7739	FOS.8/9	CLEAT (Mod. 114) .....	1	—	MR/C	—
		Attachment parts for FOS.8/9:—				
8113	Tucker Eyelet Co. AD.54R	Rivet, "Imex" .....	A/R	—	C	—
7382	FOS.14/5	CLEAT .....	1	—	MR/C	—
6909	FOS.20/1B	CLEAT .....	2	—	MR/C	—
6937	FOS.24/1	CLEAT assy .....	2	—	MR/C	—
6985	FOS.52/1	CLEAT assy .....	2	—	MR/C	—
		CLEAT assy, tail parachute guard, rear cockpit (1810/3895A and 3895A/UN) (Pre-mod. 679)				
		Spares for:—				
	1810/3895B	CLEAT .....	1	—	MR	JB.19
28M/9435067	AGS.2008-C1	NUT, anchor .....	1	—	C	—
6963	FOS.41/4	NUT, anchor .....	1	—	MR/C	—
	1810/2431	CLEAT, stiffeners, No. 1, 2 and 3 .....	3	—	MR	JB.19
		Attachment parts for 1810/2431:—				
8110	Tucker Eyelet Co. AD.42R	Rivet, "Imex" .....	A/R	—	C	—
8112	Tucker Eyelet Co. AD.46R	Rivet, "Imex" .....	A/R	—	C	—
	1810/1191	CLEAT, stiffeners, No. 5, 6 and 7 .....	3	—	MR	JB.19
		Attachment parts for 1810/1191:—				
8110	Tucker Eyelet Co. AD.42R	Rivet, "Imex" .....	A/R	—	C	—
8112	Tucker Eyelet Co. AD.46R	Rivet, "Imex" .....	A/R	—	C	—
	1810/1189	CLEAT, stiffeners, No. 8 .....	1	—	MR	JB.19
	1810/1187	CLEAT, stiffeners, No. 9 .....	1	—	MR	JB.19
	1810/1185	CLEAT, stiffeners, No. 10 .....	1	—	MR	JB.19
	1810/1183	CLEAT, stiffeners, No. 11 and 12 .....	1	—	MR	JB.19
		FRAME 9 assy, port (1810/5861A and 5861A/UN)				
		Spares for:—				
		BRACKET assy, aft (1810/2031A and 2031A/UN)				
		Spares for:—				
	1810/2033ND	BRACKET .....	1	—	MR	JB.19
28M/11957	AGS.2007-C1	NUT, anchor .....	1	—	C	—
6963	FOS.41/4	NUT, anchor .....	1	—	MR/C	—
	1845/1135A	BRACKET assy, pulley .....	1	—	MR	JB.19
		Attachment parts for 1845/1135A:—				
6879	FOS.18/6	Bolt .....	2	—	MR/C	—
6990	FOS.53/6	Bolt .....	2	—	MR/C	—

FUSELAGE  
FRONT PORTION

Issued with A.L. No. 13

REF. No.	PART NUMBER	DESCRIPTION	No. OFF	MATL. SPEC.	CL. OF ST.	PLATE No.
					M.R. L.M.	
		1 2 3 4 5				
28W/9419402	SP.13-C	Washer .....	2	—	C	—
28W/1010519	SP.122-D	Washer .....	2	—	C	—
	1810/2493	BRACKET, pulley .....	1	—	MR	JB.19
	1810/2495	BRACKET, pulley .....	1	—	MR	JB.19
	1810/2961	BRACKET, pulley .....	1	—	MR	JB.19
		Attachment parts for 1810/2961:—				
28D/9436920	A.25-1C	Bolt .....	2	—	C	—
28DU/9419565	A.102-1D	Bolt .....	2	—	C	—
28W/9419475	SP.15-C	Washer .....	2	—	C	—
28W/9457834	SP.124-D	Washer .....	2	—	C	—
	1810/738	CLEAT .....	2	—	MR	JB.19
6865	FOS.14/1	CLEAT .....	1	—	MR/C	—
		CLEAT assy (1810/2103A and 2103A/UN)				
		Spares for:—				
	1810/2001ND	CLEAT .....	1	—	MR	JB.19
28M/11957	AGS.2007-C1	NUT, anchor .....	1	—	C	—
6973	FOS.44/4	NUT, anchor .....	1	—	MR/C	—
		CLEAT assy (1810/2115A and 2115A/UN)				
		Spares for:—				
	1810/2113ND	CLEAT .....	1	—	MR	JB.19
28M/12421	AGS.2018-C1	NUT, anchor .....	2	—	C	—
6972	FOS.44/3	NUT, anchor .....	2	—	MR/C	—
		GATE (1810/5837 and 5837/UN)				
		Attachment parts for 1810/5837 and 5837/UN:—				
28D/9436710	A.25-11C	Bolt .....	4	—	C	—
28DU/9419972	A.102/11D	Bolt .....	4	—	C	—
28D/15189	AS.4598-2C	Bolt .....	4	—	C	—
28DU/9419534	A.133-1D	Bolt .....	4	—	C	—
28M/9403520	A.27-CP	Nut .....	4	—	C	—
28M/9419538	A.103-DP	Nut .....	4	—	C	—
	AS.2806-4-110	Tube, distance .....	4	—	MR/LM	—
28W/9419404	SP.16-C	Washer .....	8	—	C	—
28W/17551	SP.125-D	Washer .....	8	—	C	—
	1810/2475	GUARD, pulley .....	1	—	MR	JB.19
		MOUNTING assy, anti-vibration, lower (1801/4881A and 4881A/UN)				
		Spares for:—				
5347	1810/5581	BLOCK, packing .....	1	—	MR/C	JB.19
7209	1810/5581/UN	BLOCK, packing .....	1	—	MR/C	—
	1810/4879A	BRACKET assy .....	1	—	MR	JB.19
	1810/4879A/UN	BRACKET assy .....	1	—	MR	—
10AJ/5340-99-120-1983		MOUNTING, anti-vibration type 953 .....	1	—	C	—
		Attachment parts for 10AJ/5340-99-120-1983:—				
28D/9140638	A.25-4B	Bolt .....	4	—	C	—
28DU/17317	A.102.4C	Bolt .....	4	—	C	—
28M/10327	AGS.2002-B1	Nut .....	4	—	C	—
6955	FOS.40/3	Nut .....	4	—	MR/C	—
28W/9419474	SP.15-B	Washer .....	4	—	C	—
28W/9419404	SP.124-C	Washer .....	4	—	C	—
28M/11957	AGS.2007-C1	NUT, anchor .....	3	—	C	—
6963	FOS.41/4	NUT, anchor .....	3	—	MR/C	—

## FRONT PORTION

Issued with A.L.No. 7

28M/9435067	AGS.2008-C1	NUT, anchor .. .. .	2	-	C	-
6963	FOS.41/4	NUT, anchor .. .. .	2	-	MR/C	-
28M/9144673	AGS.2019-C1	NUT, anchor .. .. .	2	-	C	-
6972	FOS.44/3	NUT, anchor .. .. .	6	-	MR/C	-
HOUSING, sealing, at Shearwall (1810/1571A and 1571A/UN)						
Spares for:-						
1453	1810/1583	BEARING, ferrobestos .. .. .	1	-	MR/C	JB19
1454	1810/1605	CAP, end .. .. .	1	-	MR/C	JB19
	1810/1573 ND	DOUBLER .. .. .	1	-	MR	JB19
	1810/1805 ND	FAIRING and plate assy .. .. .	1	-	MR	JB19
Spares for:-						
	1810/1575 ND	FAIRING .. .. .	1	-	MR	JB19
	1810/1577 ND	PLATE, end .. .. .	1	-	MR	JB19
	1810/1579	HOUSING .. .. .	1	-	MR	JB19
Attachment parts for 1810/1579:-						
28D/1010658	A.25-1B	Bolt .. .. .	4	-	C	-
28DU/9419560	A.102-1B	Bolt .. .. .	4	-	C	-
28M/10287	AGS.2001-B1	Nut .. .. .	4	-	C	-
6954	FOS.40/2	Nut .. .. .	4	-	MR/C	-
28W/9419474	SP. 15-B	Washer .. .. .	4	-	C	-
28W/17542	SP. 124-B	Washer .. .. .	4	-	C	-
6851	FOS. 6 5/8	TAG, wire locking .. .. .	1	-	MR/C	-
5636	1810/3393ND	WASHER, clamp .. .. .	1	-	MR/C	JB19
1456	1810/1581ND	WASHER, felt, white .. .. .	1	-	MR/C	JB19
1457	1810/1585ND	WASHER, skin, bazel .. .. .	2	-	MR/C	JB19
28M/12153	AGS.2007-B1	NUT, anchor .. .. .	2	-	C	-
28M/9438444	A.136-B	NUT, anchor .. .. .	2	-	C	-
28M/11957	AGS.2007-C1	NUT, anchor .. .. .	16	-	C	-
6963	FOS. 41/4	NUT, anchor .. .. .	16	-	MR/C	-
28M/13085	AGS.2023-C1	NUT, anchor .. .. .	6	-	C	-
6976	FOS.48/4	NUT, anchor .. .. .	6	-	MR/C	-
6826	FOS. 2/12C	PACKING, anchor nut .. .. .	16	-	MR/C	-
7381	FOS.2/6W	PACKING, anchor nut .. .. .	8	-	MR/C	-
	1810/3807A	SPIGOT assy, cable pulley, tail parachute, rear cockpit .. .. .	1	-	MR	JB19
	1810/3807A/UN	SPIGOT assy, cable pulley, tail parachute, rear cockpit .. .. .	1	-	MR	-
Attachment parts for 1810/3807A and 3807A/UN:-						
8110	Tucker Eyelet Co. AD.42R	RIVET, "Imex" .. .. .	A/R	-	C	-
8112	Tucker Eyelet Co. AD.46R	RIVET, "Imex" .. .. .	A/R	-	C	-
8113	Tucker Eyelet Co. AD.54R	RIVET, "Imex" .. .. .	A/R	-	C	-
STRUCTURE assy, mounting for regulators (1810/4787A and 4787A/UN)						
Spares for:-						
	1810/4333	ANGLE .. .. .	2	-	MR	JB19
	1810/5649A	ANGLE assy .. .. .	1	-	MR	JB19

## FUSELAGE

GNAT T Mk.1

## FRONT PORTION

Issued with A.L.No. 7

	1810/5649A/UN	ANGLE assy	..	..	..	1	-	MR	-
		Spares for:-							
28M/12421	AGS.2018-C1	NUT, anchor	..	..	..	1	-	C	-
28M/9438469	A.157-D	NUT, anchor	..	..	..	1	-	C	-
	1810/4327	BRACKET	..	..	..	1	-	MR	JB19
		Attachment parts for 1810/4327:-							
	Tucker Eyelet Co.								
8111	AD.44R	RIVET, "Imex"	..	..	..	A/R	-	C	-
‡ 6933	FOS.23/2	BRACKET	..	..	..	1	-	MR/C	-
‡ 7015	FOS.54/2	BRACKET	..	..	..	1	-	MR/C	-
		DIAPHRAGM assy (1810/5357A and 5357A/UN)							
		Spares for:-							
		ANGLE assy (1810/5361A and 5361A/UN)							
		Spares for:-							
	1810/5361B	ANGLE	..	..	..	1	-	MR	JB19
28D/9144673	AGS.2019-C1	NUT, anchor	..	..	..	2	-	C	-
28M/9438471	A.158-D	NUT, anchor	..	..	..	2	-	C	-
	1810/5357B	DIAPHRAGM	..	..	..	1	-	MR	JB19
		Attachment parts for 1810/5357A and 5357A/UN:-							
28D/9436920	A.25-1C	Bolt	..	..	..	4	-	C	-
28DU/9419565	A.102-1D	Bolt	..	..	..	4	-	C	-
28D/13132	AS.3297-1C	Bolt	..	..	..	1	-	C	-
28DU/9480269	A.173-1D	Bolt	..	..	..	1	-	C	-
28W/9419402	SP.13-C	Washer	..	..	..	4	-	C	-
28W/17284	SP.122-D	Washer	..	..	..	4	-	C	-
		MEMBER assy, 'Z' (1810/5621A and 5621A/UN)							
		Spares for:-							
		BRACKET assembly, mounting, switch unit (1810/5579A and 5579A/UN) -							
		Spares for:-							
-	1810/5579B	BRACKET	..	..	..	1	-	MR	JB 19
28M/13774	AGS.2019-B1	NUT, anchor	..	..	..	2	-	C	-
7622	FOS.69/4/1	NUT, anchor	..	..	..	2	-	MR/C	-
-	1810/5621B	MEMBER, 'Z'	..	..	..	1	-	MR	JB 19
28M/11957	AGS.2007-C1	NUT, anchor	..	..	..	1	-	C	-
6963	FOS.41/4	NUT, anchor	..	..	..	1	-	MR/C	-
28M/10215	AGS.2008-B1	NUT, anchor	..	..	..	2	-	C	-
6961	FOS.41/2	NUT, anchor	..	..	..	2	-	MR/C	-
		Attachment parts for 1810/5621A and 5621A/UN:-							
	Tucker Eyelet Co.								
8111	AD.44R	RIVET, "Imex"	..	..	..	A/R	-	C	-
		SHEARWALL ASSEMBLY, STARBOARD (1810/2343A and 2343A/UN) -							
		Spares for:-							
-	1810/1010	ANGLE, attachment, bottom	..	..	..	1	-	MR	JB 10
		Attachment parts for 1810/1010:-							
	Tucker Eyelet Co.								
8110	AD.42R	RIVET, "Imex"	..	..	..	A/R	-	C	-
	Tucker Eyelet Co.								
8112	AD.46R	RIVET, "Imex"	..	..	..	A/R	-	C	-

FUSELAGE  
FRONT PORTION

Issued with A.L. No. 11

	1810/2366	ANGLE, bottom, inner ... .. 1	—	MR	JB.20
—	1810/2366/UN	ANGLE, bottom, inner ... .. 1	—	MR	JB.20
—	1810/1018	ANGLE, bottom, inner, rear ... .. 1	—	MR	JB.20
		Attachment parts for 1810/1018 :—			
8110	Tucker Eyelet Co. AD.42R	Rivet, "Imex" ... .. A/R	—	C	—
8112	Tucker Eyelet Co. AD.46R	Rivet, "Imex" ... .. A/R	—	C	
—	1810/1014	ANGLE, bottom, outer ... .. 1	—	MR	JB.20
		Attachment parts for 1810/1014 :—			
8110	Tucker Eyelet Co. AD.42R	Rivet, "Imex" ... .. A/R	—	C	
8112	Tucker Eyelet Co. AD.46R	Rivet, "Imex" ... .. A/R	—	C	
—	1810/1016	ANGLE, bottom, outer, rear ... .. 1	—	MR	JB.20
		Attachment parts for 1810/1016 :—			
8110	Tucker Eyelet Co. AD.42R	Rivet, "Imex" ... .. A/R	—	C	
8112	Tucker Eyelet Co. AD.46R	Rivet, "Imex" ... .. A/R	—	C	
—	1810/2368	ANGLE, floor, inner ... .. 1	—	MR	JB.20
—	1810/2368/UN	ANGLE, floor, inner ... .. 1	—	MR	
—	1810/2370	ANGLE, floor, outer ... .. 1	—	MR	JB.20
—	1810/2370/UN	ANGLE, floor, outer ... .. 1	—	MR	JB.20
1483502	1810/6915	BRACKET, assy (Mod. 492) ... .. 1	—	C	
—	1810/5093A	BRACKET assy (Pre-mod. 241) ... .. 1	—	MR	JB.20
1483972	1810/7037	BRACKET assy (Mod. 492) ... .. 1	—	C	JB.20
—	1810/5093A/UN	BRACKET, assy (Pre Mod. 241) ... .. 1	—	MR	JB.20
		Spares for :—			
28M/9435067	AGS.2008-C1	NUT, anchor... .. 1	—	C	
6963	FOS.41/4	NUT, anchor... .. 1	—	MR/C	
		Bracket assy (1810/5091A and 5091A/UN) ... ..			
		Spares for :—			
—	1810/5091B	BRACKET ... .. 1	—	MR	JB.20
28M/9435067	AGS.2008-C1	NUT, anchor... .. 1	—	C	
6963	FOS.41/4	NUT, anchor... .. 1	—	MR/C	
		BRACKET assy, attachment side, rear cockpit (1810/4429A and 4429A/UN)			
		Spares for :—			
—	1810/4429B	BRACKET, mounting, main ... .. 1	—	MR	JB.20
28M/9435067	AGS.2008-C1	NUT, anchor... .. 2	—	C	
6963	FOS.41/4	NUT, anchor... .. 2	—	MR/C	
28M/9144673	AGS.2019-C1	NUT, anchor... .. 3	—	C	
7036	FOS.68/4/1	NUT, anchor... .. 3	—	MR/C	
		Attachment parts for 1810/4429A and 4429A/UN :—			
8110	Tucker Eyelet Co. AD.42R	Rivet, "Imex" ... .. A/R	—	C	
	1810/6251A	BRACKET, assy, console (Mod. 127) ... .. 1	—	MR	JB.20
		Spares for :—			
4788	Camloc NR.212-12	RECEPTACLE ... .. 1	—	MR/C	
		Attachment parts for 1810/6251A :—			
8110	Tucker Eyelet Co. AD.42R	Rivet, "Imex" ... .. A/R	—	C	
8948	1810/6875	BRACKET, relay, starboard, inner, shearwall skin (Mod. 399) ... .. 1	—	MR/C	JB.20
		Attachment parts for 1810/6875 :—			
8111	AD.44R	Rivet, "Imex" ... .. A/R	—	C	

FUSELAGE  
FRONT PORTION

Issued with A.L. No. 11

—	1810/4493A/UN	BRACKET, assy, mounting, amplifier, starboard ...	1	—	MR	JB.20
		Spares for :—				
‡ 6908	FOS.20/1A	CLEAT ... ..	1	—	MR/C	
‡ 6909	FOS.20/1B	CLEAT ... ..	1	—	MR/C	
28M/19120	A.158-377	NUT, anchor... ..	2	—	C	
		Attachment parts for 1810/4493A/UN :—				
8110	Tucker Eyelet Co. AD.42R	Rivet, "Imex" ... ..	A/R	—	C	
—	1810/5599A	BRACKET assy, mounsing, amplifier (Pre-mod. 208)	1	—	MR	JB.20
	1810/5599A/1	BRACKET, assy, mounting, amplifier (Mod. 208) ...	1	—	MR	
		Spares for :—				
—	1810/4643	ANGLE ... ..	1	—	MR	JB.20
—	1810/4883	ANGLE ... ..	1	—	MR	JB.20
—	1881/2303A	CLEAT assy (Mod. 208) ... ..	1	—	MR	JB.20
—	1810/5599B	PRESSING ... ..	1	—	MR	JB.20
		BRACKET assy, mounting, hydraulic selector (1810/5477A and 5477A/UN)				
		Spares for :—				
—	1810/2069	ANGLE, support, plate, gate ... ..	1	—	MR	JB.20
	1810/2071	BRACKET ... ..	1	—	MR	JB.20
		Attachment parts parts for 1810/2017 :—				
8112	Tucker Eyelet Co. AD.46R	Rivet, "Imex" ... ..	A/R	—	C	
6866	1810/5479 FOS.14/2	BRACKET ... ..	1	—	MR	JB.20
		CLEAT ... ..	1	—	MR/C	
		Attachment parts for FOS.14/2 :—				
8112	Tucker Eyelet Co. AD.46R	Rivet, "Imex" ... ..	A/R	—	C	
28M/9435069	AGS.2008-G1	NUT, anchor... ..	1	—	C	
6965	FOS.41/6	NUT, anchor... ..	1	—	MR/C	
	1810/2067	PLATE, flanged ... ..	1	—	MR	JB.20
‡ 5637	1883/291	PLATE, gate ... ..	1	—	MR/C	JB.20
		Attachment parts for 1883/291 :—				
28D/12947	AS.1246-1/2B	Bolt ... ..	2	—	C	
28DU/9419537	A.116-1/2B	Bolt ... ..	2	—	C	
28W/9419448	AGS.2035-B	Washer ... ..	2	—	C	
‡ 5638	1883/293	PLATE, reinforcing ... ..	1	—	MR/C	JB.20
7749	1810/6721	PLATE, retaining (Mod. 135) ... ..	1	—	MR/C	JB.20
7750	1810/6721/UN	PLATE, retaining (Mod. 135) ... ..	1	—	MR/C	
9075	1810/1763A	BRACKET, assy, mounting, oxygen regulator ...	1	—		JB.20
6784	1810/1763A/UN	BRACKET, assy, mounting, oxygen regulator ...	1	—	MR/C	
		Spares for :—				
6930	FOS.22/S1	BRACKET ... ..	1	—	MR/C	
28M/9434251	AGS.2008-B1	NUT, anchor... ..	2	—	C	
6961	FOS.41/2	NUT, anchor... ..	2	—	MR/C	
6785	1871/529	SPRING, plate ... ..	1	—	MR/C	JB.20
		Attachment parts for 1810/1763A and 1763A/UN :—				
8112	Tucker Eyelet Co. AD.46R	Rivet, "Imex" ... ..	A/R	—	C	

FUSELAGE  
FRONT PORTION

Issued with A.L. No. 8

6938	FOS.24/2	CLEAT assy (Mod. 241)	... .. 1	—	MR/C	
6986	FOS.56/2	CLEAT assy (Mod. 241)	... .. 1	—	MR/C	
		Attachment parts for FOS.24/2 or 56/2 :—				
8110	Tucker Eyelet Co. AD.42R	Rivet, "Imex"	... .. A/R	—	C	
		CLEAT assy (1810/2927A and 2927A/UN)				
		Spares for :—				
28M/9434251 6961	1810.2925ND AGS.2008-B1 FOS.41/2 1810/2432	CLEAT	... .. 1	—	MR	JB.20
		NUT, anchor...	... .. 1	—	C	
		NUT, anchor...	... .. 1	—	MR/C	
		CLEAT, stiffeners, No. 1, 2 and 3	... .. 3	—	MR	JB.20
		Attachment parts for 1810/2432 :—				
8110	Tucker Eyelet Co. AD.42R	Rivet, "Imex"	... .. A/R	—	C	
8112	Tucker Eyelet Co. AD.46R	Rivet, "Imex"	... .. A/R	—	C	
—	1810.2738	CLEAT, stiffener, No. 4	... .. 1	—	MR	JB.20
		Attachment parts for 1810/2738 :—				
8110	Tucker Eyelet Co. AD.42R	Rivet, "Imex"	... .. A/R	—	C	
8112	Tucker Eyelet Co. AD.46R	Rivet, "Imex"	... .. A/R	—	C	
—	1810.1192	CLEAT, stiffeners, No. 5, 6 and 7	... .. 3	—	MR	
		Attachment parts for 1810/1192 :—				
8110	Tucker Eyelet Co. AD.42R	Rivet, "Imex"	... .. A/R	—	C	
8112	Tucker Eyelet Co. AD.46R	Rivet, "Imex"	... .. A/R	—	C	
—	1810.1190	CLEAT, stiffener No. 8	... .. 1	—	MR	JB.20
—	1810.1188	CLEAT, stiffener, No. 9	... .. 1	—	MR	JB.20
—	1810.1186	CLEAT, stiffener, No. 10	... .. 1	—	MR	JB.20
—	1810.1183	CLEAT, stiffeners, No. 11 and 12	... .. 2	—	MR	JB.20
		FAIRING assy, on-off cock, oxygen (1810/4201A and 4201A/UN)				
		Spares for :—				
—	1810/4201B	FAIRING	... .. 1	—	MR	JB.20
—	1810.4769	LABEL (Pre-mod. 159)	... .. 1	—	MR	JB.20
—	1871.403	LABEL...	... .. 1	—	MR	JB.20
—	1883/321	LABEL...	... .. 1	—	MR	JB.20
28M/9435067 6963	AGS.2008-C1 FOS.41/4	NUT, anchor...	... .. 2	—	C	
28M/9144673	AGS.2019-C1	NUT, anchor...	... .. 2	—	MR/C	
28M/9438471	A.158-D	NUT, anchor...	... .. 2	—	C	

FUSELAGE  
FRONT PORTION

Issued with A.L. No. 8

Attachment parts for 1810/4201A and 4201A/UN :—

8110	Tucker Eyelet Co. AD.42R	Rivet, " Imex " ... .. .	A/R	—	C	
8112	Tucker Eyelet Co. AD.46R	Rivet, " Imex " ... .. .	A/R	—	C	
—	1810/5353A	FITTING assy, pipe ... .. .	1	—	MR	JB.20
		FRAME 9 assy, Starboard (1810/5862A and 5862A/UN)				
		Spares for :—				
		BRACKET assy (1810/3223A and 3223A/UN) ...				
		Spares for :—				
—	1810/3223B	ANGLE ... .. .	1	—	MR	JB.20
—	1810/3223B/UN	ANGLE ... .. .	1	—	MR	—
28M/9435067	AGS.2008-C1	NUT, anchor ... .. .	1	—	C	—
6963	FOS.41/4	NUT, anchor ... .. .	1	—	MR/C	—
—	1810/3223C	PACKING ... .. .	1	—	MR	JB.20
		BRACKET assy (1810/3543A and 3543A/UN) ...	—	—	—	—
		Spares for :—				
—	1810/3543B	ANGLE ... .. .	1	—	MR	JB.20
—	1810/3543B/UN	ANGLE ... .. .	1	—	MR	—
28M/9435067	AGS.2008-C1	NUT, anchor ... .. .	1	—	C	—
6963	FOS.41/4	NUT, anchor ... .. .	1	—	MR/C	—
—	1810/3543C	PACKING ... .. .	1	—	MR	JB.20
—	1810/4197A	BRACKET assy, attachment, low-pressure teleflex run	1	—	MR	JB.20
—	1810/4197A/UN	BRACKET assy, attachment, low-pressure teleflex run	1	—	MR	—
		Spares for :—				
28M/13774	AGS.2019/B1	NUT, anchor ... .. .	1	—	C	—
6968	FOS.43/1	NUT, anchor ... .. .	1	—	MR/C	—
—	1810/737	CLEAT ... .. .	2	—	MR	JB.20
6865	FOS.14/1	CLEAT ... .. .	1	—	MR/C	—
‡ 6908	FOS.20/1A	CLEAT ... .. .	1	—	MR/C	—
		GATE (1810/5839 and 5839/UN) ... .. .	—	—	—	—
		Attachment parts for 1810/5839 and 5839/UN :—				
28D/9435710	A.25-11C	Bolt ... .. .	4	—	C	—
28DU/9419972	A.102/11D	Bolt ... .. .	4	—	C	—
28D/15189	AS.4598-2C	Bolt ... .. .	4	—	C	—
28DU/9480223	A.113-2D	Bolt ... .. .	4	—	C	—
28M/9403520	A.27-CP	Nut ... .. .	4	—	C	—
28M/9419538	A.103-DP	Nut ... .. .	4	—	C	—
—	AS.2806-4-110	Tube, distance ... .. .	4	—	MR/LM	—
28W/9419404	SP.16-C	Washer ... .. .	8	—	C	—
28W/17551	SP.125-D	Washer ... .. .	8	—	C	—
		MOUNTING assy, anti-vibration (1810/4882A and 4882A UN)	—	—	—	—
		Spares for :—				
5347	1810/5581	BLOCK, packing ... .. .	1	—	MR/C	JB.20
—	1810/5581/UN	BLOCK, packing ... .. .	1	—	MR	—
—	1810/4880A/UN	BRACKET assy ... .. .	1	—	MR	JB.20
10AJ/5340-99 -120-1983	—	MOUNTING, anti-vibration type 953) ...	1	—	C	—
		Attachment parts for 10AJ/5340-99-120- 1983 :—				
28D/9140638	A.25-4B	Bolt ... .. .	4	—	C	—
28DU/17317	A.102-4C	Bolt ... .. .	4	—	C	—

## FUSELAGE

## FRONT PORTION

Issued with A.L. No. 12

REF. No.	PART NUMBER	DESCRIPTION	No. Off	MATL. SPEC.	CL. OF ST.	PLATE No.
					M.R. L.M.	
		1 2 3 4 5				
28M/10327	AGS.2002-B1	Nut .....	4	—	C	—
6965	FOS.40/3	Nut .....	4	—	MR/C	—
28W/9419474	SP.15-B	Washer .....	4	—	C	—
28W/9419404	SP.124-C	Washer .....	4	—	C	—
28M/11957	AGS.2007-C1	NUT, anchor .....	3	—	C	—
6963	FOS.41/4	NUT, anchor .....	3	—	MR/C	—
28M/16454	AGS.2008-G3	NUT, anchor .....	1	—	C	—
6965	FOS.41/6	NUT, anchor .....	1	—	MR/C	—
28M/9144673	AGS 2019 C1	NUT, anchor .....	4	—	C	—
6972	FOS.44/3	NUT, anchor .....	4	—	MR/C	—
5K/2949	SP 40 A 32	GRGMMET .....	1	—	C	—
5K/2973	SP.40 A.48	GRGMMET .....	1	—	C	—
	1810/5485A	MEMBER assy, bridge .....	1	—	MR/LM	JB.20
		Consisting of:—				
		MEMBER, bridge .....	1	20 s.w.g. L.A.L72	—	—
		TUBING, P.V.C. micanite, 18 mm. x 3.05" .....	1	S.11	—	—
		Attachment parts for 1810/5485A:—				
28S/9419453	A 31-B14	Screw .....	2	—	C	—
28S/1201331	A.205-B14	Screw .....	2	—	C	—
28W/9419474	SP 15 B	Washer .....	2	—	C	—
28W/9457834	SP 124 D	Washer .....	2	—	C	—
	1810/15517A	MEMBER assy, bridge .....	1	—	MR/LM	JB.20
		Consisting of:—				
		MEMBER, bridge .....	1	20 s.w.g. L.A.L.72	—	—
		TUBING, P.V.C. micanite, 18 mm. x 2.8" .....	1	S.11	—	—
		Attachment parts for 1810/5517A:—				
28S/9419453	A.31-B14	Screw .....	2	—	C	—
28S/16802	A.205-B14	Screw .....	2	—	C	—
28W/9419474	SP.15-B	Washer .....	2	—	C	—
28W/9457834	SP.124-D	Washer .....	2	—	C	—
	1810/2253ND	MOUNTING assy, valve, anti-G (1810/2057A and 2057A/UN) Spares for:—				
		MOUNTING, valve, anti-G .....	1	—	MR	JB.20
28M/13774	AGS.2019-B1	NUT, anchor .....	1	—	C	—
6968	FOS.43/1	NUT, anchor .....	1	—	MR/C	—
	1810/2255ND	MOUNTING assy, valve, anti-G (1810/2059A and 2059A/UN) Spares for:—				
		MOUNTING, valve, anti-G .....	1	—	MR	JB.20
28M/13774	AGS.2019-B1	NUT, anchor .....	2	—	C	—
6968	FOS.43/1	NUT, anchor .....	2	—	MR/C	—
28M/11957	AGS.2007/C1	NUT, anchor .....	4	—	C	—
6963	FOS.41/4	NUT, anchor .....	4	—	MR/C	—
28M/13085	AGS.2023-C1	NUT, anchor .....	8	—	C	—
6976	FOS.48-4	NUT, anchor .....	8	—	MR/C	—
	1810/6471	STRUCTURE assy, duct, rear cockpit (1810/4951A and 4951A/UN) Spares for:—				
		BRACKET .....	1	—	MR	—
	1810/6473	BRACKET .....	1	—	MR	—
1483502	1810/6915A	BRACKET assy (Mod. 492) .....	1	—	C	—

FUSELAGE  
FRONT PORTION

Issued with A.L. No. 12

REF. No.	PART NUMBER	DESCRIPTION	No. OFF	MATL. SPEC.	CL. OF ST.	PLATE No.
					M.R. L.M.	
		1 2 3 4 5				
		BRACKET assy (1810/4963A) Spares for:—				
	1810/4963B	BRACKET .....	1	—	MR	JB.20
		CHANNEL assy, bottom (1810/4955A, 4955A/UN) Spares for:—				
	1810/4955B	CHANNEL .....	1	—	MR	JB.20
28M/10215	AGS.2008-B1	NUT, anchor .....	3	—	C	—
6961	FOS.41/2	NUT, anchor .....	3	—	MR/C	—
28M/13774	AGS.2019-B1	NUT, anchor .....	1	—	C	—
7383	FOS.69/2/1	NUT, anchor .....	1	—	MR/C	—
		CHANNEL assy, top forward portion 1810/6161A and 1810/6161A/UN) Spares for:—				
	1810/5335A	BRACKET .....	2	—	MR	JB.20
	1810/5335A/UN	BRACKET .....	2	—	MR	—
		Spares for:—				
	AGS.2019-B1	NUT, anchor .....	1	—	C	—
28M/9438470	A.158-B	NUT, anchor .....	1	—	C	—
	1810/6161B	CHANNEL .....	1	—	MR	JB.20
28M/9434251	AGS.2008-B1	NUT, anchor .....	3	—	C	—
6961	FOS.41/2	NUT, anchor .....	3	—	MR/C	—
28M/13774	AGS.2019-B1	NUT, anchor .....	2	—	C	—
7383	FOS.69/2/1	NUT, anchor .....	2	—	MR/C	—
6850	FOS.61/8	TAG, wire-locking .....	1	—	MR/C	—
		CHANNEL assy, top, aft, port (1810/6163A and 6163A/UN) Spares for:—				
	1810/6163B	CHANNEL .....	1	—	MR	JB.20
28M/9434251	AGS.2008-B1	NUT, anchor .....	2	—	C	—
6961	FOS.41/2	NUT, anchor .....	2	—	MR/C	—
28M/13774	AGS.2019-B1	NUT, anchor .....	2	—	C	—
7383	FOS.69/2/1	NUT, anchor .....	2	—	MR/C	—
		STRUCTURE assy, mounting, for regulators (1810/4788A and 4788A/UN) Spares for:—				
	1810/5650A	ANGLE assy .....	1	—	MR	JB.20
	1810/5650A/UN	ANGLE assy .....	1	—	MR	—
		Spares for:—				
	AGS.2018-C1	NUT, anchor .....	1	—	C	—
28M/12421	A.157-D	NUT, anchor .....	1	—	C	—
28M/9438469	1810/4328	BRACKET .....	1	—	MR	JB.20
		Attachment parts for 1810/4328:—				
8111	Tucker Eyelet Co. AD.44R	Rivet, "Imex" .....	A/R	—	C	—
†6933	FOS.23/2	BRACKET .....	1	—	MR/C	—
†7015	FOS.54/2	BRACKET .....	1	—	MR/C	—
		DIAPHRAGM assy (1810/5363A and 5363A/UN) Spares for:—				
		ANGLE assy (1810/5361A and 5361A/UN)				

FUSELAGE  
FRONT PORTION

Issued with A.L. No. 9

		Spares for :—							
	1810/5361B	ANGLE	...	...	...	...	1	—	MR JB.20
28M/9144673	AGS.2019-C1	NUT, anchor...	...	...	...	...	2	—	C —
28M/938471	A.158-D	NUT, anchor...	...	...	...	...	2	—	C —
	1810/5363B	DIAPHRAGM	...	...	...	...	1	—	MR JB.20
		Attachment parts for 1810.5363A and 5363A/UN:—							
28D/9436920	A.25-1C	Bolt	...	...	...	...	5	—	C —
28DU/9419565	A.102-1D	Bolt	...	...	...	...	5	—	C —
28D/13132	AS.3297-1C	Bolt	...	...	...	...	1	—	C —
28DU/9480269	A.173-1D	Bolt	...	...	...	...	1	—	C —
28W/9419402	SP.13-C	Washer	...	...	...	...	5	—	C —
28W/1010519	SP.122-D	Washer	...	...	...	...	5	—	C —
		MEMBER assy " Z " (1810.5551A and 5551A/UN)							
		Spares for :—							
8949	1810/6877A	BRACKET assy (Mod. 399)	...	...	...	...	1	—	MR/C JB.20
	1810/5551B/1	MEMBER (Mod. 399)	...	...	...	...	1	—	MR JB.20
28M/11957	AGS.2007-C1	NUT, anchor	...	...	...	...	1	—	C —
6963	FOS.41/4	NUT, anchor	...	...	...	...	1	—	MR/C —
28M/9434251	AGS.2008-B1	NUT, anchor	...	...	...	...	2	—	C —
6961	FOS.41/2	NUT, anchor	...	...	...	...	2	—	MR/C —
5353	1815/1491	SHIM, abutment fitting	...	...	...	...	2	—	MR/C JB.33
5352	1815/1493	SHIM, abutment fitting	...	...	...	...	2	—	MR/C JB.33
		SHROUD ASSY, FOOT, PORT (1810/4939A and 4939A/UN, SHT. 2)							
		Spares for :—							
	1810/6441	ANGLE	...	...	...	...	1	—	MR JB.39
	1810/6449	ANGLE, fastener	...	...	...	...	2	—	MR JB.39
	1810/6439	BUTTPLATE	...	...	...	...	1	—	MR JB.39
	1810/6437	BUTTSTRAP	...	...	...	...	1	—	MR JB.39
		DOUBLER and BRACKET ASSY, skin (1810/6377A/1 and 6377A/UN/1)							
		Spares for :—							
		BRACKET assy, foot shroud (1810/6373A and 6373A/UN)							
		Spares for :—							
	1810/6373B	BRACKET (Pre-mod. 273)	...	...	...	...	1	—	MR
	1810/6373C	BRACKET (Mod. 273)	...	...	...	...	1	—	MR JB.39
28M/9144673	AGS.2019-C1	NUT, anchor	...	...	...	...	1	—	C —
6972	FOS.44/3	NUT, anchor	...	...	...	...	1	—	MR/C —
	1810/6377B	DOUBLER (Pre-mod. 273)	...	...	...	...	1	—	MR —
	1810/6377C	DOUBLER (Mod. 273)	...	...	...	...	1	—	MR JB.39
	1810/6435	MOUNTING, fastener	...	...	...	...	1	—	MR JB.39
28M/9435067	AGS.2008-C1	NUT	...	...	...	...	3	—	C —
28M/9438446	A.136-D	NUT	...	...	...	...	3	—	C —
	1810/4939N	PANEL (Pre-mod. 273)	...	...	...	...	1	—	MR —
	1810/4939P	PANEL (Mod. 273)	...	...	...	...	1	—	MR JB.39
		Attachment parts for 1810/4939N :—							
8380	Camloc 5S5/5	Stud	...	...	...	...	14	—	— —
	Camloc 5S5/9	Stud	...	...	...	...	2	—	— —
7785	Camloc 5S3/1	Washer	...	...	...	...	16	—	MR/C —
7787	Camloc 5R2/1	RECEPTACLE (Pre-mod. 273)	...	...	...	...	16	—	MR/C —
28W/9419454	SP.10-C	WASHER	...	...	...	...	16	—	C —

FUSELAGE  
FRONT PORTION

Issued with A.L. No. 9

SHROUD ASSY, FOOT, STARBOARD (1810/4941A  
and 4941A UN, SHT. 2)

Spares for :—

	1810 6445	ANGLE ... ..	1	—	MR	JB.39
		Attachment parts for 1810:6445 :—				
8120	Tucker Eyelet Co. AK.44R	Rivet. "Imex" ... ..	A R	—	C	—
		ANGLE assy (1810 6375A and 6375A UN)				
		Spares for :—				
	1810 6375B	ANGLE ... ..	1	—	MR	JB.39
28M/9144673	AGS.2019-C1	NUT, anchor... ..	1	—	C	—
6972	FOS.44 3	NUT, anchor... ..	1	—	MR C	—
	1810 6449	ANGLE, fastener ... ..	2	—	MR	JB.39
	1810 6447	MOUNTING, fastener ... ..	1	—	MR	JB.39
28M/9435067	AGS.2008-C1	NUT, anchor ... ..	2	—	C	—
6963	FOS.41.4	NUT, anchor ... ..	2	—	MR C	—
	1810 4941J	PANEL (Pre-mod. 273) ... ..	1	—	MR	—
	1810 4941K	PANEL (Mod. 273) ... ..	1	—	MR	JB.39
		Attachment parts for 1810 4941J and 4941K :—				
8411	1810 6787	Bolt (Mod. 273) ... ..	1	—	C	JB.39
8380	Camloc 5S5/5	Stud ... ..	12	—	—	—
	Camloc 5S5/9	Stud ... ..	1	—	—	—
7785	Camloc 5S3/1	Washer ... ..	13	—	MR C	—
	1810 6451	PLATE, fastener ... ..	1	—	MR	JB.39
7787	Camloc 5R2:1	RECEPTACLE (Pre-mod. 273) ... ..	13	—	MR C	—
28VV/9419454	SP.10-C	WASHER ... ..	13	—	C	—

SHROUD ASSY, FOOT, PORT, FRAME 9 TO SLOPING  
BULKHEAD (1810 6275A and 6275A UN)

Spares for :—

7392	1810 6259	BRACKET ... ..	1	—	MR C	—
7393	1810 6267	BRACKET ... ..	1	—	MR C	—
7394	1810 6269	BRACKET ... ..	1	—	MR C	—
7395	1810 6271	BRACKET ... ..	1	—	MR C	—
7396	1810 6381	CLEAT, frame 9 ... ..	1	—	MR C	—
28M/9993192	AGS.2009-C1	NUT, anchor ... ..	5	—	C	—
7893	FOS.49/3/1	NUT, anchor ... ..	5	—	MR C	—
7397	1810 6221ND	PANEL, shroud ... ..	1	—	MR B	—
		Attachment parts for 1810:6221ND :—				
28D/1007981	AS.1248- $\frac{1}{2}$ C	Bolt ... ..	5	—	C	—
28DU/9419614	A.113- $\frac{1}{2}$ C	Bolt ... ..	5	—	C	—

SHROUD ASSY, FOOT, STARBOARD, FRAME 9 TO  
SLOPING BULKHEAD (1810/6277A and  
1810 6277A UN)

Spares for :—

7392	1810/6259	BRACKET ... ..	1	—	MR C	JB.39
7398	1810 6261	BRACKET ... ..	1	—	MR C	JB.39
7399	1810 6265	BRACKET ... ..	1	—	MR C	JB.39

FUSELAGE  
FRONT PORTION

Issued with A.L. No. 8

7394	1810:6269	BRACKET ... ..	1	—	MR/C	JB.39
7396	1810:6381	CLEAT, frame 9 ... ..	1	—	MR/C	JB.39
28M/9993192	AGS.2009-C1	NUT, anchor ... ..	5	—	C	—
7893	FOS.49/3/1	NUT, anchor ... ..	5	—	MR/C	—
7400	1810:6223ND	PANEL, shroud ... ..	1	—	MR/B	JB.39
Attachment parts for 1810:6223ND :—						
28D/1007981	AS.1248- $\frac{1}{2}$ C	Bolt ... ..	5	—	C	—
28D/9419614	A.113- $\frac{1}{2}$ C	Bolt ... ..	5	—	C	—

SHROUDING ASSY, QUADRANT, FRAME 11  
(1810:3917A and 3917A/UN)

Spares for :—						
	1810.4421A	ANGLE assy (Pre-mod. 321) ... ..	1	—	MR	JB.24
	1810.4421A/UN	ANGLE assy (Pre-mod. 321) ... ..	1	—	MR	JB
		ANGLE assy, attachment, shroud (1810:3947A and 3947A. UN)				
Spares for :—						
	1810.3947B	ANGLE, attachment, shroud (Pre Mod. 321) ...	1	—	MR	JB.24
28M/9435067	AGS.2008-C1	NUT, anchor ... ..	2	—	C	—
6963	FOS.41.4	NUT, anchor... ..	2	—	MR/C	—
Attachment parts for 1810:3947A and 3947A/UN :—						
28D/9436920	A.25-1C	Bolt ... ..	2	—	C	—
28DU/9419565	A.102-1D	Bolt ... ..	2	—	C	—
28M/10288	AGS.2001-C1	Nut ... ..	2	—	C	—
6956	FOS.40/4	Nut ... ..	2	—	MR/C	—
28VV/9419475	SP.15-C	Washer ... ..	2	—	C	—
28VV/9457834	SP.124-D	Washer ... ..	2	—	C	—
	1810.4415A	ANGLE, assy, support (15th-24th A/C) (Pre-mod. 321)	1	—	MR	JB.24
Attachment parts for 1810.4415A :—						
28D/13132	AS.3297-1C	Bolt ... ..	1	—	C	—
28M/10288	AGS.2001-C1	Nut ... ..	1	—	C	—
28VV/9419475	SP.15-C	Washer ... ..	1	—	C	—
	1810.6235A	ANGLE assy, support (25th and SUB A/C) ... ..	1	—	MR	—
(Pre Mod. 321)						
Attachment parts for 1810:6235A :—						
28DU/9480268	A.173-1C	Bolt ... ..	1	—	C	—
28M/9438421	A.125-C	Nut ... ..	1	—	C	—
28VV/9457834	SP.124-D	Washer ... ..	1	—	C	—

BEAM assy, support (1810:3925A and 3925A/UN)

Spares for :—						
	1810.3925B	BEAM, support ... ..	1	—	MR	JB.24
	1810.4805	CLEAT ... ..	1	—	MR	JB.24
28M/9434251	AGS.2008-B1	NUT, anchor... ..	2	—	C	—
6954	FOS.41/2	NUT, anchor... ..	2	—	MR/C	—
28M/9435067	AGS.2008-C1	NUT, anchor... ..	15	—	C	—
6963	FOS.41/4	NUT, anchor... ..	15	—	MR/C	—
28M/13774	AGS.2019-B1	NUT, anchor... ..	2	—	C	—
6968	FOS.43/1	NUT, anchor... ..	2	—	MR/C	—
6969	FOS.43/3	NUT, anchor (25th and Sub)	1	—	MR/C	—
6850	FOS.61/8	TAG, wire-locking ... ..	2	—	MR/C	—

FUSELAGE  
FRONT PORTION

Issued with A.L. No. 8

	1810/3938A/UN	BRACKET assy, frame 11 ... .. 1	—	MR	JB.24
	1810/3939	BRACKET, attachment, shroud (Pre-mod. 321) ... 1	—	MR	JB.24
		Attachment parts for 1810/3939 :—			
28D/1007975	AS.1242-1C	Bolt ... .. 2	—	C	—
28DU/9480269	A.173-1D	Bolt ... .. 2	—	C	—
28M/10288	AGS.2001-C1	Nut ... .. 2	—	C	—
6963	FOS.41.4	Nut ... .. 2	—	MR/C	—
28W/9419475	SP.15-C	Washer ... .. 2	—	C	—
28W/9457834	SP.124-D	Washer ... .. 1	—	C	—
	1810/3937	BRACKET, frame 11 (Pre-mod. 321) ... .. 1	—	MR	
	1810/3937A/1	BRACKET assy (Mod. 321) (9th-24th A/C) ... 1	—	MR/C	JB.24
	1810/3937A/UN/1	BRACKET assy (Mod. 321) (25th and Subs. A/C)... 1	—	MR/C	
	1810/5349	BRACKET, housing, spigot ... .. 1	—	MR	JB.24
	1810/4423	CHANNEL ... .. 1	—	MR	JB.24
	1810/3945A	CHANNEL, assy ... .. 1	—	MR	JB.24
‡ 6935	FOS.23.4	CLEAT assy ... .. 2	—	MR/C	—
‡ 7017	FOS.54.4	CLEAT assy ... .. 2	—	MR/C	—
	1810/3941A	DOUBLER assy, port ... .. 1	—	MR	JB.24
	1810/3941A/UN	DOUBLER assy, port ... .. 1	—	MR	JB.24
	1810/3942A	DOUBLER assy, starboard ... .. 1	—	MR	—
	1810/3942A/UN	DOUBLER assy, starboard ... .. 1	—	MR	—
		Spares for —			
28D/1007982	AGS.2018-C1	NUT, anchor... .. 1	—	C	—
6972	FOS.44.3	NUT, anchor... .. 1	—	MR/C	—
5349	1810/3917B	FAIRLEAD ... .. 1	—	MR/C	JB.24
		Attachment parts for 1810/3917B :—			
28D/1007982	AS.1248-1C	Bolt ... .. 2	—	C	—
28DU/9419534	A.113-1D	Bolt ... .. 2	—	C	—
5350	1810/3917C	FAIRLEAD ... .. 1	—	MR/C	JB.24
		Attachment parts for 1810/3917C :—			
28D/1007982	AS.1248-1C	Bolt ... .. 1	—	C	—
28DU/9419534	A.113-1D	Bolt ... .. 1	—	C	—
28M/10288	AGS.2001-C1	Nut ... .. 1	—	C	—
6956	FOS.40.4	Nut ... .. 1	—	MR/C	—
28W/9419475	SP.15-C	Washer ... .. 1	—	C	—
28W/9457834	SP.124-D	Washer ... .. 1	—	C	—
	1810/3929A	GUARD assy, attachment, starboard (Pre-mod. 321) 1	—	MR	JB.24
	1810/3929A/UN	GUARD assy, attachment, starboard (Pre-mod. 321) 1	—	MR	—
		Spares for :—			
28M/9435067	AGS.2008-C1	NUT, anchor... .. 1	—	MR	—
6963	FOS.41.4	NUT, anchor... .. 1	—	MR/C	—
6847	FOS.4.16C	PACKING, anchor nut ... .. 1	—	MR/C	—
7639	FOS.31.14D	PACKING, anchor nut ... .. 1	—	MR/C	—
		GUARD assy, quadrant (1810/3949A/1 and 3949A/UN/1) (Mod. 241)			
		Spares for :—			
	1810/3949B/1	GUARD, quadrant (Pre-mod. 321) ... .. 2	—	MR	JB.24
	1810/3949B/UN/1	GUARD, quadrant (Pre-mod. 321) ... .. 2	—	MR	—
28M/9435067	AGS.2008-C1	NUT, anchor... .. 1	—	C	—
6956	FOS.41.4	NUT, anchor... .. 1	—	MR/C	—
		MEMBER assy, top-hat (1810/3935A and 3935A/UN)			
		Spares for :—			
	1810/4369	HOUSING, spigot ... .. 1	—	MR	JB.24
	1810/3935B	MEMBER, top-hat (Pre-mod. 321) ... .. 1	—	MR	JB.24
	1810/3935B/1	MEMBER, top-hat (Mod. 321) ... .. 1	—	MR	—

FUSELAGE  
FRONT PORTION

Issued with A.L. No. 8

28M/11957	AGS.2007-C1	NUT, anchor...	...	...	...	...	2	—	C	—
6963	FOS.41/4	NUT, anchor...	...	...	...	...	2	—	MR/C	—
28M/9435067	AGS.2008-C1	NUT, anchor...	...	...	...	...	2	—	C	—
6963	FOS.41/4	NUT, anchor...	...	...	...	...	2	—	MR/C	—
9084	1810/6047A	PLATE assy, cover, port	...	...	...	...	1	—	MR/C	JB.24
7962	1810/6047A/UN	PLATE assy, cover, port (Mod. 84)	...	...	...	...	1	—	MR/C	—
		Spares for :—								
28M/11957	AGS.2007-C1	NUT, anchor...	...	...	...	...	6	—	MR/C	
6963	FOS.41/4	NUT, anchor...	...	...	...	...	6	—	MR/C	
‡ 6588	1311/3317A/UN	PLATE assy, bolt	...	...	...	...	1	—	MR/C	JB.24
		Attachment parts for 1810/6047A/UN :—								
28D/9133011	A.25-2C	Bolt	...	...	...	...	1	—	C	
28DU/9419967	A.102-2D	Bolt	...	...	...	...	1	—	C	
28D/1007982	AS.1248-1C	Bolt	...	...	...	...	2	—	C	
28DU/9480222	A.113-½D	Bolt	...	...	...	...	2	—	C	
28W/9419475	SP.15-C	Washer	...	...	...	...	1	—	C	
28W/9457834	SP.124-D	Washer	...	...	...	...	1	—	C	
7963	1810/6061A	PLATE assy, cover, port (Mod. 84)	...	...	...	...	1	—	MR/C	JB.24
		Spares for :—								
7964	1810/6061E	SHIELD, rubber	...	...	...	...	1	—	MR/C	JB.24
		Attachment parts for 1810/6061A :—								
28D/1007981	AS.1248-½C	Bolt	...	...	...	...	3	—	C	
28D/1007982	AS.1248-1C	Bolt	...	...	...	...	1	—	C	
28DU/9480222	A.113-½D	Bolt	...	...	...	...	4	—	C	
4040	1810/3921A	PLATE assy, cover	...	...	...	...	1	—	C	JB.24
7205	1810/3921A/UN	PLATE assy, cover	...	...	...	...	1	—	MR/C	
		Spares for :—								
28M/11957	AGS.2007-C1	NUT, anchor...	...	...	...	...	6	—	C	
6963	FOS.41/4	NUT, anchor...	...	...	...	...	6	—	MR/C	
28M/12421	AGS.2018-C1	NUT, anchor...	...	...	...	...	2	—	C	
28M/9438471	A.158-D	NUT, anchor...	...	...	...	...	2	—	C	
		Attachment parts for 1810/3921A and 3921A/UN :—								
28D/9436920	A.25-1C	Bolt	...	...	...	...	3	—	C	
28DU/9419565	A.102-1D	Bolt	...	...	...	...	3	—	C	
28D/1007982	AS.1248-1C	Bolt	...	...	...	...	2	—	C	
28DU/9419534	A.113-1D	Bolt	...	...	...	...	2	—	C	
28M/10288	AGS.2001-C1	Nut	...	...	...	...	2	—	C	
6956	FOS.40/4	Nut	...	...	...	...	2	—	MR/C	
28W/9419475	SP.15-C	Washer	...	...	...	...	2	—	C	
28W/9457834	SP.124-D	Washer	...	...	...	...	2	—	C	
7965	1810/6049A	PLATE assy, cover, starboard (Mod. 84)	...	...	...	...	1	—	MR/C	JB.24
7966	1810/6049A/UN	PLATE assy, cover, starboard (Mod. 84)	...	...	...	...	1	—	MR/C	
		Spares for :—								
28M/10215	AGS.2008-B1	NUT, anchor...	...	...	...	...	2	—	C	
6961	FOS.41/2	NUT, anchor...	...	...	...	...	2	—	MR/C	
28M/11957	AGS.2007-C1	NUT, anchor...	...	...	...	...	3	—	C	
6963	FOS.41/4	NUT, anchor...	...	...	...	...	3	—	MR/C	

FUSELAGE  
FRONT PORTION

Issued with A.L. No. 8

## Attachment parts for 1810/6049A and 6049A/UN :—

28D/9133011	A.25-2C	Bolt	...	...	...	...	...	1	—	C	
28DU/9419967	A.102-2D	Bolt	...	...	...	...	...	1	—	C	
28D/1007982	AS.1248-1C	Bolt	...	...	...	...	...	2	—	C	
28DU/9480222	A.113-3D	Bolt	...	...	...	...	...	2	—	C	
28VV/9419475	SP.15-C	Washer	...	...	...	...	...	1	—	C	
28VV/17544	SP.124-D	Washer	...	...	...	...	...	1	—	C	

9085	1810/6217A	PLATE assy, cover, starboard	...	...	...	...	...	1	—	MR/C	JB.24
7967	1810/6217A/UN	PLATE assy, cover, starboard (Mod. 84)	...	...	...	...	...	1	—	MR/C	JB.24

## Spares for :—

28M/11957	AGS.2007-C1	NUT, anchor...	...	...	...	...	...	1	—	MR/C	
6963	FOS.41/4	NUT, anchor...	...	...	...	...	...	1	—	MR/C	
‡ 7968	1810/6217C	SHIELD, rubber	...	...	...	...	...	1	—	MR/C	JB.24

## Attachment parts for 1810/6217A/UN :—

28D/1007981	AS.1248-3C	Bolt	...	...	...	...	...	3	—	C	
28D/1007982	AS.1248-1C	Bolt	...	...	...	...	...	1	—	C	
28DU/9480222	A.113-3D	Bolt	...	...	...	...	...	4	—	C	

4042	1810/3931A	PLATE assy, cover, port (Pre-mod. 321)	...	...	...	...	...	1	—	C	
5633	1810/3931A/UN	PLATE assy, cover, port (Pre-mod. 321)	...	...	...	...	...	1	—	MR/C	
9088	1810/6865A	PLATE assy, cover, port (Mod. 321)	...	...	...	...	...	1	—	MR/C	JB.24
8422	1810/6865A/UN	PLATE assy, cover, port (Mod. 321)...	...	...	...	...	...	1	—	MR/C	

## Spares for :—

28M/11957	AGS.2007-C1	NUT, anchor...	...	...	...	...	...	1	—	C	
6963	FOS.41/4	NUT, anchor...	...	...	...	...	...	1	—	MR/C	
4043	1810/3933A	PLATE assy, cover, starboard (Pre-mod. 321)	...	...	...	...	...	1	—	MR/C	
8423	1810/6869A	PLATE assy, cover (Mod. 321)	...	...	...	...	...	1	—	—	JB.24
6794	1810/5833	PLATE, cover	...	...	...	...	...	1	—	MR/C	JB.24
	1810/5421	PLATE, reinforcing	...	...	...	...	...	2	—	MR	JB.24
	1810/3927	PLATE, tie	...	...	...	...	...	1	—	MR	JB.24

**STRUCTURE ASSY, CANOPY HINGE and RAM  
MOUNTING (1810/1077A and 1077A/  
UN)**

## Spares for :—

1810/1077B	ANGLE	...	...	...	...	...	...	1	—	MR	JB.29
1810/1077B/UN	ANGLE	...	...	...	...	...	...	1	—	MR	
1810/1353	ANGLE, port	...	...	...	...	...	...	1	—	MR	JB.29
1810/1353/UN	ANGLE, port	...	...	...	...	...	...	1	—	MR	
1810/1354	ANGLE, starboard	...	...	...	...	...	...	1	—	MR	JB.29
1810/1354/UN	ANGLE, starboard	...	...	...	...	...	...	1	—	MR	
1810/1393	ANGLE, attachment, port	...	...	...	...	...	...	1	—	MR	JB.28
1810/1394	ANGLE, attachment, starboard	...	...	...	...	...	...	1	—	MR	JB.28
1810/1343	ANGLE, reinforcing, port	...	...	...	...	...	...	1	—	MR	JB.29
1810/1343/UN	ANGLE, reinforcing, port	...	...	...	...	...	...	1	—	MR	
1810/1344	ANGLE, reinforcing, starboard	...	...	...	...	...	...	1	—	MR	JB.29
1810/1344/UN	ANGLE, reinforcing, starboard	...	...	...	...	...	...	1	—	MR	

## Attachment parts for 1810/1343-4 and 1343-4/UN :—

8112	Tucker Eyelet Co. AD.46R	Rivet, "Imex"	...	...	...	...	...	A/R	—	C	
	1810/1747	BRACKET	...	...	...	...	...	1	—	MR	JB.29
	1810/1747/UN	BRACKET	...	...	...	...	...	1	—	MR	
1077	1816/53A	BRACKET assy, guide, port	...	...	...	...	...	1	—	MR/B	JB.28
7384	1816/53A/UN	BRACKET assy, guide, port	...	...	...	...	...	1	—	MR/B	
1078	1816/54A	BRACKET assy, guide, starboard	...	...	...	...	...	1	—	MR/B	JB.28
7385	1816/54A/UN	BRACKET assy, guide, starboard	...	...	...	...	...	1	—	MR/B	

## FUSELAGE

## FRONT PORTION

Issued with A.L. No. 17

REF. No.	PART NUMBER	DESCRIPTION	No. OFF	MATL. SPEC.	CL. OF ST.	PLATE No.
					M.R. L.M.	
		1 2 3 4 5				
1174	1816/149	Spares for:-- ROLLER .....	2	—	MR/C	JB.28
28M/9419046	A.103-ET	Attachment parts for 1816/149:-- Nut .....	1	—	C	—
28W/9418921	SP.13-E	Washer .....	1	—	C	—
28W/1008149	SP.122-E	Washer .....	1	—	C	—
4030	1816/475 1816/475/UN	ROLLER .....	1	—	MR/C	JB.28
		ROLLER .....	1	—	MR	—
		Attachment parts for 1816/475 and 475/UN:-- Bolt .....	1	—	C	—
28D/7002428	A.25-6C	Bolt .....	1	—	C	—
28DU/9419568	A.102-6D	Bolt .....	1	—	C	—
28M/1006473	A.27-CT	Nut .....	1	—	C	—
28M/9419540	A.103-DT	Nut .....	1	—	C	—
28W/9419475	SP.15-C	Washer .....	1	—	C	—
28W/9457834	SP.124-D	Washer .....	1	—	C	—
1176	1816/147	SPINDLE, roller .....	2	—	MR/C	JB.28
		Attachment parts for 1816/147:-- Nut .....	1	—	C	—
28M/9419046	A.103-ET	Washer .....	1	—	C	—
28W/9419405	SP.15-E	Washer .....	1	—	C	—
28W/9471273	SP.124-E	Washer .....	1	—	C	—
		Attachment parts for 1816/53-4A and 53-4A/UN:-- Bolt .....	4	—	C	—
28D/1008145	A.25-6E	Bolt .....	4	—	C	—
28DU/9414345	A.102-6E	Bolt .....	4	—	C	—
28M/1011475	A.27-EP	Nut .....	4	—	C	—
28M/9414136	A.13-EP	Nut .....	4	—	C	—
28W/9419405	SP.15-E	Washer .....	4	—	C	—
28W/9471273	SP.124-E	Washer .....	4	—	C	—
	1810/6117A	BRACKET assy, mounting .....	1	—	MR	JB.29
	1810/6117A/UN	BRACKET assy, mounting .....	1	—	MR	—
		Spares for:-- NUT, anchor .....	1	—	C	—
28M/9144673	AGS.2019-C1	NUT, anchor .....	1	—	MR/C	—
6972	FOS.44/3					
	1810/6643A	BRACKET assy, sealing .....	1	—	MR	JB.29
8928	1815/1369	BRACKET, support, port (Mod. 69) .....	2	—	MR/C	JB.28
		BRACKET assy, port (Amendt. 300) (1815/2109A and 2109A/UN) .....				
		Spares for:-- BRACKET .....	1	—	MR/C	JB.28
9615	1815/2109B	CLEAT .....	1	—	MR	JB.28
—	1815/1907A	CLEAT .....	1	—	MR/C	—
1443959	1815/1907A/UN 1815/1370	BRACKET, support, starboard (Mod. 69) .....	2	—	MR	JB.28
		BRACKET assy, starboard (Amendt. 300) (1815/2111A and 2111A/UN) .....				
		Spares for:-- BRACKET .....	1	—	MR/C	JB.28
9610	1815/2111B	CLEAT .....	1	—	MR	JB.28
—	1815/1909A	CLEAT .....	1	—	MR/C	—
1443980	1815/1909A/UN	CLEAT .....	1	—	MR/C	—
‡7462	1815/1649A	BRACKET assy, support, assister, canopy (Mod. 69) .....	1	—	MR/B	JB.28
		Spares for:-- BUSH, canopy retainer .....	1	—	MR	JB.28
	1815/977	BUSH, canopy retainer .....	1	—	MR	JB.28
	1815/978	BUSH, canopy retainer .....	1	—	MR	JB.28
5534	1815/385	BUSH, flanged .....	2	—	MR/C	JB.28
	1810/45	BRACKET, attachment .....	1	—	MR	JB.29
	1810/45/UN	BRACKET, attachment (Mod. 69) .....	1	—	MR	—

**RESTRICTED**

**FUSELAGE  
FRONT PORTION**

Issued with A.L. No. 17

REF. No.	PART NUMBER	DESCRIPTION	No. OFF	MATL. SPEC.	CL. OF ST.	PLATE No
					M.R. L.M.	
		1 2 3 4 5				
1076	1810/1315	BRACKET, attachment .....	1	-	MR	JB.29
	1810/1315/UN	BRACKET, attachment .....	1	-	MR	JB.29
	1810/1155	BRACKET, corner .....	4	-	MR	JB.29
	1810/1155/UN	BRACKET, corner .....	4	-	MR	-
		Attachment parts for 1810/1155/UN:-				
28D/9140645	A.25-10C	Bolt .....	2	-	C	-
28DU/9419971	A.102-10D	Bolt .....	2	-	C	-
28M/9403520	A.27-CP	Nut .....	2	-	C	-
28M/9419638	A.103-DP	Nut .....	2	-	C	-
	AS.2811-5-085	Tube, distance .....	2	-	-	-
28W/9419475	SP.15-C	Washer .....	2	-	C	-
28W/9457834	SP.124-D	Washer .....	2	-	C	-
	1810/1341	BRACKET, corner, port .....	1	-	MR	JB.28
	1810/1342	BRACKET, corner, starboard .....	1	-	MR	JB.28
	1810/6009	BRACKET, corner, sealing, port .....	1	-	MR	-
	1810/6009/UN	BRACKET, corner, sealing, port .....	1	-	MR	JB.29
	1810/1356	BRACKET, corner, sealing, starboard .....	1	-	MR	JB.29
	1810/1356/UN	BRACKET, corner, sealing, starboard .....	1	-	MR	-
	1810/1333	BRACKET, fairing, spine, port .....	1	-	MR	JB.28
	1810/1334	BRACKET, fairing, spine, starboard .....	1	-	MR	JB.28
	1810/2639	BRACKET, pulley, control, valve, vent .....	1	-	MR	JB.28
	1810/2641	BRACKET, pulley, control, valve, vent .....	1	-	MR	JB.28
	1810/2643	BRACKET, pulley, control, valve, vent .....	1	-	MR	JB.28
	1810/2645	BRACKET, pulley, control, valve, vent .....	1	-	MR	JB.28
	1810/1359	BRACKET, sealing, port .....	1	-	MR	JB.28
	1810/1360	BRACKET, sealing, starboard .....	1	-	MR	JB.28
		Attachment parts for 1810/1359-80:-				
8112	Tucker Eyelet Co. AD.46R	Rivet, "Imex" .....	A/R	-	C	-
	1810/4645	CLEAT .....	1	-	MR	JB.28
1443958	1810/4611	CLEAT, support .....	1	-	MR/C	JB.28
		DIAPHRAGM assy, centre (1810/1077C and 1077C/UN) Spares for:-				
	1810/7093	ANGLE, reinforcing (Mod. 733) .....	1	-	-	JB.29
	1810/1329	ANGLE (Pre-mod. 733) .....	1	-	MR	-
	1810/1329/UN	ANGLE (Pre-mod. 733) .....	1	-	MR	-
	1810/5651/1	DIAPHRAGM, centre (Mod. 733) .....	1	-	MR	JB.29
	1810/5651	DIAPHRAGM, centre (Pre-mod. 733) .....	1	-	MR	-
		DIAPHRAGM assy, front (1810/1321A and 1321A/UN) Spares for:-				
	1810/1415ND	DIAPHRAGM .....	1	-	MR	JB.28
	1810/1415ND/UN	DIAPHRAGM .....	1	-	MR	-
28M/9435067	AGS.2008-C1	NUT, anchor .....	2	-	C	-
6963	FOS.41/4	NUT, anchor .....	2	-	MR/C	-
28M/9144673	AGS.2019-C1	NUT, anchor .....	2	-	C	-
6972	FOS.44/3	NUT, anchor .....	2	-	MR/C	-
		DIAPHRAGM assy, outboard, port (1810/1715AND and 1715AND/UN) Spares for:-				
	1810/1317	BRACKET .....	1	-	MR	JB.29
	1810/1317/UN	BRACKET .....	1	-	MR	-
	1810/1361	DIAPHRAGM .....	1	-	MR	JB.29
	1810/1361/UN	DIAPHRAGM .....	1	-	MR	-
		DIAPHRAGM assy (1810/1363A) Spares for:-				JB.29
	1810/1503ND	DIAPHRAGM .....	1	-	MR	JB.29
	1810/1367ND	PACKING .....	1	-	MR	JB.29

**RESTRICTED**

**FUSELAGE**  
**FRONT PORTION**

Issued with A.L. No. 10

	1810/1305	TEE, extrusion	...	...	...	...	1	—	MR	JB.29
	1810/1307	TEE, extrusion	...	...	...	...	1	—	MR	JB.29
	1810/1307/UN	TEE, extrusion	...	...	...	...	1	—	MR	JB.29
		DIAPHRAGM assy, outboard, starboard (1810/1716AND and 1716AND/UN)								
		Spares for :—								
	1810/1318	BRACKET	...	...	...	...	1	—	MR	JB.29
	1810/1318/UN	BRACKET	...	...	...	...	1	—	MR	—
	1810/1358A	BRACKET assy	...	...	...	...	1	—	MR	JB.29
	1810/1358A/UN	BRACKET assy	...	...	...	...	1	—	MR	—
	10-20/1362	DIAPHRAGM	...	...	...	...	1	—	MR	JB.29
	1810/1362/UN	DIAPHRAGM	...	...	...	...	1	—	MR	—
		DIAPHRAGM assy (1810/1364A)	...	...	...	...				
		Spares for :—								
	1810/1504ND	DIAPHRAGM	...	...	...	...	1	—	MR	JB.29
	1810/1367ND	PACKING	...	...	...	...	1	—	MR	JB.29
	1810/1306	TEE, extrusion	...	...	...	...	1	—	MR	JB.29
	1810/1308	TEE, extrusion	...	...	...	...	1	—	MR	JB.29
	1810/1308/UN	TEE, extrusion	...	...	...	...	1	—	MR	—
	1810/1323	DIAPHRAGM, outer, port	...	...	...	...	1	—	MR	JB.28
	1810/1324	DIAPHRAGM, outer, starboard	...	...	...	...	1	—	MR	JB.28
	1810/2705A	DOUBLER assy	...	...	...	...	1	—	MR	JB.29
	1810/2705A/UN	DOUBLER assy	...	...	...	...	1	—	MR	—
	1810/5605A	DOUBLER assy	...	...	...	...	1	—	MR	JB.29
	1810/1325	FAIRING, port	...	...	...	...	1	—	MR	JB.28
	1810/1326	FAIRING, starboard	...	...	...	...	1	—	MR	JB.28
	1810/1075	FITTING, attachment, port	...	...	...	...	1	—	MR	JB.28
	1810/1076	FITTING, attachment, starboard	...	...	...	...	1	—	MR	JB.28
1088	1810/1309	FITTING, "Y," port	...	...	...	...	1	—	MR	JB.29
	1810/1309/UN	FITTING, "Y," port	...	...	...	...	1	—	MR	—
1089	1810/1310	FITTING, "Y," starboard	...	...	...	...	1	—	MR	JB.29
	1810/1310/UN	FITTING, "Y," starboard	...	...	...	...	1	—	MR	—
1087	1810/1311	FITTING, "Y," centre	...	...	...	...	1	—	MR	JB.29
	1810/1311/UN	FITTING, "Y," centre	...	...	...	...	1	—	MR	JB.29
‡ 7557	1810/6051A	GUARD assy, removable, pulley	...	...	...	...	1	—	MR/C	JB.28
‡ 7558	1810/6051A/UN	GUARD assy, removable, pulley	...	...	...	...	1	—	MR/C	—
7460	1815/1371A	HINGE assy, canopy attachment, port (Mod. 69)	...	...	...	...	1	—	C	JB.28
8242	1815/1371A/UN	HINGE assy, canopy attachment, port (Mod. 69)	...	...	...	...	1	—	MR/C	—
7461	1815/1372A	HINGE assy, canopy attachment, starboard (Mod. 69)	...	...	...	...	1	—	C	JB.28
8243	1815/1372A/UN	HINGE assy, canopy attachment, starboard (Mod. 69)	...	...	...	...	1	—	MR/C	—
	1810/1739	MEMBER, sealing	...	...	...	...	1	—	MR	JB.28
	1810/5913A/1	MOUNTING assy, structure, for canopy assisting ram (Mod. 528)	...	...	...	...	1	—	C	—
	1810/5913A/UN/1	MOUNTING assy, structure, for canopy assisting ram (Mod. 528)	...	...	...	...	1	—	MR	JB.29
		Spares for :—								
1443608	1810/6971	ADAPTOR (Mod. 528)	...	...	...	...	1	—	C	JB.29
28D/9436920	A.25-1C	BOLT	...	...	...	...	1	—	C	—
28DU/9419565	A.102-1D	BOLT	...	...	...	...	1	—	C	—
28D/12714	A.25-29C	BOLT	...	...	...	...	1	—	C	—
28DU/9436286	A.102-29D	BOLT	...	...	...	...	1	—	C	—
28D/12632	A.25-30C	BOLT	...	...	...	...	1	—	C	—

FUSELAGE  
FRONT PORTION

Issued with A.L. No. 10

28DU/16951	A.102-30D	BOLT	...	...	...	...	1	—	C	—
	1810/6291A	BRACKET assy, clip	...	...	...	...	1	—	MR	JB.29
	1810/6291A/UN	BRACKET assy, clip	...	...	...	...	1	—	MR	—
Spares for :—										
28M/9144673	AGS.2019-C1	NUT, anchor	...	...	...	...	1	—	C	—
6972	FOS.44/3	NUT, anchor	...	...	...	...	1	—	MR/C	—
	1375/991A	BRACKET, support, pipe	...	...	...	...	1	—	MR	JB.29
	1375/991A/UN	BRACKET, support, pipe	...	...	...	...	1	—	MR	—
1084	1810/1177	BUSH (Pre Mod. 528)	...	...	...	...	2	—	MR/C	JB.29
1443605	1810/6963	BUSH (Mod. 528)	...	...	...	...	2	—	MR/C	JB.29
	1810/1175	FITTING, bearing, bottom, port	...	...	...	...	1	—	MR	JB.29
	1810/1175/UN	FITTING, bearing, bottom, port	...	...	...	...	1	—	MR	—
	1810/1176	FITTING, bearing, bottom, starboard	...	...	...	...	1	—	MR	JB.29
	1810/1176/UN	FITTING, bearing, bottom, starboard	...	...	...	...	1	—	MR	—
	1810/1173	FITTING, bearing, top, port	...	...	...	...	1	—	MR	—
	1810/1173/UN	FITTING, bearing, top, port	...	...	...	...	1	—	MR	—
	1810/1174	FITTING, bearing, top, starboard	...	...	...	...	1	—	MR	—
	1810/1174/UN	FITTING, bearing, top, starboard	...	...	...	...	1	—	MR	—
	1810/1171	MEMBER, side, port	...	...	...	...	1	—	MR	—
	1810/1171/UN	MEMBER, side, port	...	...	...	...	1	—	MR	—
	1810/1172	MEMBER, side, starboard	...	...	...	...	1	—	MR	—
	1810/1172/UN	MEMBER, side, starboard	...	...	...	...	1	—	MR	—
28M/9403520	A.27-CP	NUT	...	...	...	...	3	—	C	—
28M/9419538	A.103-DP	NUT	...	...	...	...	3	—	C	—
1443606	1810/6965A	PIPE assy (Mod. 528)	...	...	...	...	1	—	C	JB.29
1443607	1810/6966A	PIPE assy (Mod. 528)	...	...	...	...	1	—	C	JB.29
	AS.2811-5-262	TUBE, distance	...	...	...	...	2	—	MR/LM	—
28W/9419475	SP.15-C	WASHER	...	...	...	...	3	—	C	—
28W/9457834	SP.124-D	WASHER	...	...	...	...	3	—	C	—
28M/11957	AGS.2007-C1	NUT, anchor	...	...	...	...	28	—	C	—
6963	FOS.41/4	NUT, anchor	...	...	...	...	28	—	MR/C	—
28M/9144673	AGS.2019-C1	NUT, anchor	...	...	...	...	10	—	C	—
28M/9438471	A.158-D	NUT, anchor	...	...	...	...	10	—	C	—
6972	FOS.44/3	NUT, anchor	...	...	...	...	8	—	MR/C	—
	1810/1365	PACKING	...	...	...	...	1	—	MR	JB.28
	1810/4949	PACKING, bracket, seat	...	...	...	...	4	—	MR	JB.28
	1810/1369	PACKING, tapered	...	...	...	...	1	—	MR	JB.29
8216	1810/1425A/1	PANEL assy, access (Mod. 256)	...	...	...	...	1	—	MR/C	JB.28
8217	1810/1425A/UN/1	PANEL assy, access (Mod. 256)	...	...	...	...	1	—	MR/C	—
Spares for :—										
1086	1810/1335ND	PANEL, access	...	...	...	...	1	—	MR	JB.28
	1810/1339ND	STRIP, sealing	...	...	...	...	1	—	MR/C	JB.228
Attachment parts for 1810/1425A and 1425A/UN :—										
28D/13132	AS.3297-1C	Bolt	...	...	...	...	31	—	C	—
28DU/9480270	A.173-2D	Bolt	...	...	...	...	31	—	C	—
8824	FOS.9813	Bolt	...	...	...	...	3	—	C	—
28D/13697	AS.3297-3C	Bolt	...	...	...	...	1	—	C	—
28DU/9480271	A.173-3D	Bolt	...	...	...	...	1	—	C	—

FUSELAGE  
FRONT PORTION

Issued with A.L. No. 8

	1810/1319	PLATE, capping (Mod. 69)	...	...	...	...	1	—	MR	JB.28
	1810/1319/UN	PLATE, capping	...	...	...	...	1	—	MR	—
	1810/1759	PLATE, closing	...	...	...	...	1	—	MR	JB.29
	1810/1759/UN	PLATE, closing	...	...	...	...	1	—	MR	—
9082	1810/4407ND	PLATE, nut, port	...	...	...	...	1	—	MR	JB.29
‡ 6782	1810/4407ND/UN	PLATE, nut, port	...	...	...	...	1	—	MR/C	—
9083	1810/4408ND	PLATE, nut, starboard	...	...	...	...	1	—	MR/C	JB.29
‡ 6783	1810/4408ND/UN	PLATE, nut, starboard	...	...	...	...	1	—	MR/C	—
	1810/1313	PLATE, reinforcing	...	...	...	...	1	—	MR	JB.29
	1810/1313/UN	PLATE, reinforcing	...	...	...	...	1	—	MR	JB.29
	1810/1375	PLATE, seating	...	...	...	...	1	—	MR	JB.28
	1810/1869	PLATE, seating, port	...	...	...	...	1	—	MR	JB.28
	1810/1870	PLATE, seating, starboard	...	...	...	...	1	—	MR	JB.28
	1810/1749	PLATE, throat	...	...	...	...	2	—	MR	JB.29
	1810/1749/UN	PLATE, throat	...	...	...	...	2	—	MR	—
		PLATFORM assy, bottom (1810/6031A and 6031A/UN)								
		Spares for :—								
28M/11957	AGS.2007-C1	NUT, anchor...	...	...	...	...	11	—	C	—
6963	FOS.41/4	NUT, anchor...	...	...	...	...	11	—	MR/C	—
	1810/1371	PACKING, tapered	...	...	...	...	2	—	MR	JB.29
	1810/6031B	PLATFORM, bottom	...	...	...	...	1	—	MR	JB.29
	1810/6031B/UN	PLATFORM, bottom	...	...	...	...	1	—	MR	JB.29
	1810/4599A	PULLEY assy, guide, port	...	...	...	...	1	—	—	JB.28
	1810/4599A/UN	PULLEY assy, guide, port	...	...	...	...	1	—	MR	—
		Spares for :—								
28R/13502	AS.111	PULLEY	...	...	...	...	1	—	C	JB.28
		Attachment parts for AS.111 :—								
28D/1008151	A.25-4E	Bolt	...	...	...	...	1	—	C	—
28DU/9414343	A.102-4E	Bolt	...	...	...	...	1	—	C	—
28M/7002430	AGS.2002-E1	Nut	...	...	...	...	1	—	C	—
6957	FOS.40/5	Nut	...	...	...	...	1	—	MR/C	—
28W/9419405	SP.15-E	Washer	...	...	...	...	1	—	C	—
28W/17427	SP.124-E	Washer	...	...	...	...	1	—	C	—
		Attachment parts for 1810/4599A and 4599A/UN :—								
28D/1011238	A.25-3E	Bolt	...	...	...	...	4	—	C	—
28DU/9419342	A.102-3E	Bolt	...	...	...	...	4	—	C	—
28M/12928	A.27-EP	Nut	...	...	...	...	4	—	C	—
28M/9414136	A.103-EP	Nut	...	...	...	...	4	—	C	—
28W/9419405	SP.15-E	Washer	...	...	...	...	4	—	C	—
28W/17427	SP.124-E	Washer	...	...	...	...	4	—	C	—
	1810/5217A	PULLEY assy, guide	...	...	...	...	1	—	—	JB.28
	1810/5217A/UN	PULLEY assy, guide	...	...	...	...	1	—	MR	—
		Spares for :—								
28R/13502	AS.111	PULLEY	...	...	...	...	1	—	C	JB.28
		Attachment parts for AS.111 :—								
28D/1008151	A.25-4E	Bolt	...	...	...	...	1	—	C	—
28DU/9414343	A.102-4E	Bolt	...	...	...	...	1	—	C	—
28M/7002430	AGS.2002-E1	Nut	...	...	...	...	1	—	C	—
6957	FOS.40/5	Nut	...	...	...	...	1	—	MR/C	—
		Attachment parts for 1810/5217A and 5217A/UN :—								
28D/9133011	A.25-2C	Bolt	...	...	...	...	4	—	C	—
28DU/9419967	A.102-2D	Bolt	...	...	...	...	4	—	C	—
28W/9419487	SP.16-E	Washer	...	...	...	...	4	—	C	—
28W/9438423	SP.125-E	Washer	...	...	...	...	4	—	C	—

FUSELAGE  
FRONT PORTION

Issued with A.L. No. 8

1074	1810/1395	SHIM ... ..	1	—	MR/C	JB.29
1075	1810/1397	SHIM ... ..	2	—	MR/C	JB.29
1071	1810/1399	SHIM ... ..	2	—	MR/C	JB.29
1072	1810/1401	SHIM ... ..	2	—	MR/C	JB.29
1080	1810/1291	SHIM ... ..	4	—	MR/C	JB.28
	1810/4901ND	STRIP, rubbing ... ..	1	—	MR	JB.28
	1810/1761	WASHER, throat ... ..	2	—	MR	JB.29
STRUCTURE ASSY, FUSELAGE, NOSE (1810/3387A and 3387A/UN)						
Spares for :—						
	1810/3953	ANGLE, U.H.F. support bracket, port ... ..	1	—	MR	JB.34
	1810/3955	ANGLE, U.H.F. support bracket, starboard ... ..	1	—	MR	JB.34
		BEAM assy, mounting, U.H.F., port (1810/3569A and 3569A/UN)				
Spares for :—						
	1810/3639	BRACKET, mounting ... ..	1	—	MR	JB.34
	1810/3633	MEMBER, " Z " ... ..	1	—	MR	JB.34
	1810/4529	MEMBER, " Z " ... ..	1	—	MR	JB.34
28M/12421	AGS.2018-C1	NUT, anchor... ..	4	—	C	—
6972	FOS.44/3	NUT, anchor... ..	4	—	MR/C	—
6839	FOS.3/14C	PACKING, anchor nut ... ..	4	—	MR/C	—
	1810/3635	PLATE, closing ... ..	1	—	MR	JB.34
‡ 6940	FOS.25/2	PLATE, mounting ... ..	1	—	MR/C	—
		BEAM assy, mounting, U.H.F., starboard (1810/3571A and 3571A/UN)				
Spares for :—						
	1810/3639	BRACKET, mounting ... ..	1	—	MR	JB.34
	1810/3641	MEMBER, " Z " ... ..	1	—	MR	JB.34
	1810/4531	MEMBER, " Z " ... ..	1	—	MR	JB.34
28M/12421	AGS.2018-C1	NUT, anchor... ..	4	—	C	—
6972	FOS.44/3	NUT, anchor... ..	4	—	MR/C	—
6839	FOS.3/14C	PACKING, anchor nut ... ..	4	—	MR/C	—
	1810/3637	PLATE, closing ... ..	1	—	MR	JB.34
		BEAM assy, support, amplifier, aft, starboard (1810/ 3565A and 3565A/UN)				
Spares for :—						
	1810/3565B	BEAM, support ... ..	1	—	MR	JB.34
28M/9434253	AGS.2007-B1	NUT, anchor... ..	1	—	C	—
28M/9438444	A.136-B	NUT, anchor... ..	1	—	C	—
28M/9434252	AGS.2018-B1	NUT, anchor... ..	1	—	C	—
28M/9438468	A.157-B	NUT, anchor... ..	1	—	C	—
	1810/3767	WASHER, throat ... ..	1	—	MR	JB.34
	1810/3769	WASHER, throat ... ..	1	—	MR	JB.34
		BEAM assy, support, amplifier, forward, starboard (1810/3563A and 3563A/UN)				
Spares for :—						
	1810/3563B	BEAM, support ... ..	1	—	MR	JB.34
28M/9434253	AGS.2007-B1	NUT, anchor... ..	1	—	C	—
28M/9438444	A.136-B	NUT, anchor... ..	1	—	C	—
28M/9434252	AGS.2018-B1	NUT, anchor... ..	1	—	C	—
28M/9438468	A.157-B	NUT, anchor... ..	1	—	C	—
	1810/3767	WASHER, throat ... ..	1	—	MR	JB.34
	1810/3769	WASHER, throat ... ..	1	—	MR	JB.34
		BEAM assy, support, frame 3-4, starboard (1810/ 3561A and 3561A/UN)				
Spares for :—						
	1810/3561B	BEAM, support ... ..	1	—	MR	JB.34
‡ 6934	FOS.23/3	CLEAT assy ... ..	1	—	MR/C	—
‡ 7016	FOS.54/3	CLEAT assy ... ..	1	—	MR/C	—

FUSELAGE  
FRONT PORTION

Issued with A.L. No. 9

		BEAM, sub-assy, coaming, nose, port (1810/3363A/1) (Mod. 126)	1	—	—	—
		Spares for :—				
1810/3363B/1		ANGLE, nose coaming (Mod. 126) ... ..	1	—	MR	JB.5
		CHANNEL assy, nose coaming (1810/3359A) ...	—	—	—	—
		Spares for :—				
1810/3359B		CHANNEL, nose coaming ... ..	1	—	MR	
1810/3359B/1		CHANNEL, nose coaming (Mod. 251) ... ..	1	—	MR	JB.5
1810/3743		DOUBLER ... ..	1	—	MR	JB.34
		BEAM, sub-assy, coaming, nose, starboard (1810/3365A)				
		Spares for :—				
1810/3365B		ANGLE, nose coaming ... ..	1	—	MR	JB.5
1810/3727		ANGLE ... ..	1	—	MR	JB.5
1810/3361		CHANNEL, nose coaming ... ..	1	—	MR	JB.5
1810/3361/1		CHANNEL, nose coaming (Mod. 251) ... ..	1	—	MR	JB.5
1810/3559		BEAM, support, aft, port ... ..	1	—	MR	JB.34
1810/3557		BEAM, support, forward, port ... ..	1	—	MR	JB.34
1810/3555		BEAM, support, frame 3-4, port ... ..	1	—	MR	JB.34
1810/3659		BLOCK, fastener, aft ... ..	2	—	MR	JB.5
1810/3661		BLOCK, fastener, forward ... ..	2	—	MR	JB.5
1810/3601		BLOCK, spigot, frame 2, port ... ..	1	—	MR	JB.4
1810/3601/UN		BLOCK, spigot, frame 2, port ... ..	1	—	MR	—
1810/3602		BLOCK, spigot, frame 2, starboard ... ..	1	—	MR	JB.4
1810/3602/UN		BLOCK, spigot, frame 2, starboard ... ..	1	—	MR	—
		Attachment parts for 1810/3601-2 and 3601-2/UN :—				
28D/13128	AS.3294-2C	Bolt ... ..	2	—	C	—
28DU/9480270	A.173-2D	Bolt ... ..	2	—	C	—
28M/10288	AGS.2001-C1	Nut ... ..	2	—	C	—
6956	FOS.40/4	Nut ... ..	2	—	MR/C	—
28W/9419402	SP.13-C	Washer ... ..	2	—	C	—
28W/1010519	SP.122-D	Washer ... ..	2	—	C	—
		BRACKET assy (1810/6241A) (Mod. 126) ... ..				
		Spares for :—				
7994	1810/6239	LABEL (Mod. 126) ... ..	1	—	MR/C	JB.5
		BRACKET assy, mounting ... ..	1	—	MR	JB.34
	1810/4999A/UN	BRACKET assy, mounting ... ..	1	—	MR	—
		Spares for :—				
28M/13774	AGS.2019-B1	NUT, anchor ... ..	4	—	C	—
6968	FOS.43/1	NUT, anchor ... ..	4	—	MR/C	—
	1810/5341A	BRACKET assy, mounting, coupler, tacan, forward	1	—	MR	JB.34
	1810/5341A/UN	BRACKET assy, mounting, coupler, tacan, forward	1	—	MR	—
		Spares for :—				
28M/9434253	AGS.2007-B1	NUT, anchor ... ..	2	—	C	—
6961	FOS.41/2	NUT, anchor ... ..	2	—	MR/C	—
	1810/6093A	BRACKET assy, mounting, fuse, block (Mod. 93)	1	—	MR	JB.5
	1810/6093A/UN	BRACKET assy, mounting, fuse, block (Mod. 93)	1	—	MR	—
		Spares for :—				
	1810/6095A	ANGLE assy (Mod. 93) ... ..	2	—	MR	JB.5
	1810/6095A/UN	ANGLE assy (Mod. 93) ... ..	2	—	MR	—
		Spares for :—				
28M/9434251	AGS.2008-B1	NUT, anchor ... ..	2	—	C	—
28M/9438468	A.157-B	NUT, anchor ... ..	2	—	MR/C	—

FUSELAGE  
FRONT PORTION

Issued with A.L. No. 9

	1810/3345A	BRACKET assy, support, inverter ... ..	1	—	MR	JB.5
	1810/3345A/UN	BRACKET assy, support, inverter ... ..	1	—	MR	
		Spares for :—				
6937	FOS.24/1	CLEAT assy ... ..	4	—	MR/C	—
6985	FOS.52/1	CLEAT assy ... ..	4	—	MR/C	—
28M/11957	AGS.2007-C1	NUT, anchor... ..	4	—	C	—
6963	FOS.41/4	NUT, anchor... ..	4	—	MR/C	—
6831	FOS.2/16C	PACKING, anchor nut ... ..	4	—	MR/C	—
6833	FOS.2/16W	PACKING, anchor nut ... ..	4	—	MR/C	—
		BRACKET assy, support, UHF, starboard (1810/3567A and 3567A/UN)				
		Spares for :—				
	1810/3567B	BRACKET, support ... ..	1	—	MR	JB.34
6930	FOS.22/51	CLEAT ... ..	1	—	MR	—
28M/9434253	AGS.2007-B1	NUT, anchor ... ..	4	—	C	—
6961	FOS.41/2	NUT, anchor ... ..	4	—	MR/C	—
	1810/3767	WASHER, throat ... ..	4	—	MR	JB.34
	1810/4419A	BRACKET assy, terminal block ... ..	1	—	MR	JB.4
		Spares for :				
28M/13774	AGS.2019-B1	NUT, anchor ... ..	2	—	C	—
7383	FOS.69/2/1	NUT, anchor ... ..	2	—	MR/C	—
	1810/4855	BRACKET, frame 2, port ... ..	1	—	MR	JB.4
	1810/4856	BRACKET, frame 2, starboard ... ..	1	—	MR	JB.4
‡ 7541	1810/6545	BRACKET, frame 3, port ... ..	1	—	MR/C	JB.4
	1810/5175	BRACKET, mounting ... ..	1	—	MR	JB.34
	1810/5401	BRACKET, mounting ... ..	1	—	MR	—
	1810/4449	BRACKET, mounting, junction box ... ..	1	—	MR	JB.5
‡ 7993	1810/6237	BRACKET, Tacan test socket (Mod. 126) ... ..	1	—	MR/C	JB.5
		CHANNEL assy, frame 3 (1810/3467A and 3467A/UN)				
		Spares for :—				
	1810/3467B	CHANNEL ... ..	1	—	MR	JB.4
	1810/3549	CLEAT ... ..	3	—	MR	JB.4
	1810/3957	CLEAT ... ..	1	—	MR	JB.4
28M/11957	AGS.2007-C1	NUT, anchor ... ..	2	—	C	—
6963	FOS.41/4	NUT, anchor ... ..	2	—	MR/C	—
	1810/3549	CLEAT ... ..	3	—	MR	JB.34
	1810/3619	CLEAT, port ... ..	1	—	MR	JB.34
	1810/3620	CLEAT, starboard ... ..	1	—	MR	JB.34
	1810/3623	CLEAT, port ... ..	1	—	MR	JB.4
	1810/3624	CLEAT, starboard ... ..	1	—	MR	JB.4
	1810/3733	CLEAT, port ... ..	3	—	MR	JB.4
	1810/3734	CLEAT, starboard ... ..	3	—	MR	JB.4
	1810/3821	CLEAT ... ..	1	—	MR	JB.4
	1810/3952	CLEAT ... ..	1	—	MR	—
	1811/651	CLEAT ... ..	1	—	MR	JB.34
6867	FOS.14/3	CLEAT ... ..	2	—	MR/C	—
	1810/5337	DUCT, cable ... ..	1	—	MR	JB.4
	1810/3581	FITTING, attachment, coaming, port ... ..	1	—	MR	JB.34
	1810/3582	FITTING, attachment, coaming, starboard ... ..	1	—	MR	JB.34
	1810/3329A	FRAME 1 assy ... ..	1	—	MR	JB.4
	1810/3331	FRAME 1A assy ... ..	1	—	MR	JB.4

FUSELAGE  
FRONT PORTION

Issued with A.L. No. 8

		Spares for :—							
	1810/3347	BRACKET, support, battery	...	...	...	1	—	MR	JB.4
		FRAME 2 assy (1810/3333A)	...	...	...	—	—	—	—
		Spares for :—							
	1810/3791	CLEAT, port	...	...	...	1	—	MR	JB.4
	1810/3792	CLEAT, starboard	...	...	...	1	—	MR	JB.4
	1810/3793	CLEAT, port	...	...	...	1	—	MR	JB.4
	1810/3794	CLEAT, starboard	...	...	...	1	—	MR	JB.4
‡ 6908	FOS.20/1A	CLEAT	...	...	...	1	—	MR/C	—
	1810/3333B	PRESSING, frame 2	...	...	...	1	—	MR	JB.4
	1810/3335A	FRAME 2A assy	...	...	...	1	—	MR	JB.4
		Spares for :—							
	1810/3733	CLEAT, port	...	...	...	2	—	MR	JB.4
	1810/3734	CLEAT, starboard	...	...	...	2	—	MR	JB.4
	1810/3337A	FRAME 3 assy	...	...	...	1	—	MR	JB.4
		Spares for :—							
‡ 6908	FOS.20/1A	BRACKET	...	...	...	1	—	MR/C	—
‡ 6909	FOS.20/1B	BRACKET	...	...	...	2	—	MR/C	—
6930	FOS.22/S1	BRACKET	...	...	...	1	—	MR/C	—
‡ 6932	FOS.23/1	CLEAT assy	...	...	...	2	—	MR/C	—
‡ 7014	FOS.54/1	CLEAT assy	...	...	...	2	—	MR/C	—
	1810/3595	INTERCOSTAL, frame 1A-2, port	...	...	...	1	—	MR	JB.5
	1810/3596	INTERCOSTAL, frame 1A-2, starboard	...	...	...	1	—	MR	JB.5
	1810/3585	INTERCOSTAL, frame 2-2A, port	...	...	...	1	—	MR	JB.4
	1810/3586	INTERCOSTAL, frame 2-2A, starboard	...	...	...	1	—	MR	JB.4
	1810/3597	INTERCOSTAL, frame 2-2A, port	...	...	...	1	—	MR	JB.5
	1810/3598	INTERCOSTAL, frame 2-2A, starboard	...	...	...	1	—	MR	JB.5
	1810/3588	INTERCOSTAL, frame 2A-3, starboard	...	...	...	1	—	MR	JB.4
	1810/3599	INTERCOSTAL, frame 2A-3, port	...	...	...	1	—	MR	JB.5
	1810/3587	INTERCOSTAL, frame 2A-3, port	...	...	...	1	—	MR	JB.4
	1810/3589	LONGERON, frame 2A-3, port	...	...	...	1	—	MR	JB.5
	1810/3591	LONGERON, frame 2A-3, starboard	...	...	...	1	—	MR	JB.5
	1810/3593	LONGERON, frame 3-4, port	...	...	...	1	—	MR	JB.5
	1810/3594	LONGERON, frame 3-4, starboard	...	...	...	1	—	MR	JB.5
	1810/5267	LUG	...	...	...	2	—	MR	—
	1810/6503	LUG (Mod. 251)...	...	...	...	1	—	MR	JB.34
	1810/6504	LUG (Mod. 251)...	...	...	...	1	—	MR	JB.34
		MEMBER, support, tacan, port (1810/3351A and 3351A/UN)							
		Spares for :—							
	1810/3351B	MEMBER, support	...	...	...	1	—	MR	JB.5
28M/9435560	AGS.2007-E1	NUT, anchor...	...	...	...	2	—	C	—
6964	FOS.41/5	NUT, anchor...	...	...	...	2	—	MR/C	—
‡ 6939	FOS.25/1	PLATE, mounting	...	...	...	2	—	MR/C	—
		MEMBER assy, support, tacan, starboard (1810/3353A and 3353A/UN)							
		Spares for :—							
	1810/3353B	MEMBER, support	...	...	...	1	—	MR	JB.5
28M/9435560	AGS.2007-E1	NUT, anchor...	...	...	...	2	—	C	—
6964	FOS.41/5	NUT, anchor...	...	...	...	2	—	MR/C	—
	1810/3553A	MEMBER assy, hinge, door, starboard	...	...	...	1	—	MR	JB.34
	1810/3553A/UN	MEMBER assy, hinge, door, starboard	...	...	...	1	—	—	—
		Spares for :—							
28M/9434251	AGS.2008-B1	NUT, anchor...	...	...	...	1	—	C	—
6966	FOS.42/2	NUT, anchor...	...	...	...	1	—	MR/C	—

FUSELAGE  
FRONT PORTION

Issued with A.L. No. 8

	1810:3349	MEMBER, support, battery, port ... ..	1	—	MR	JB.5
	1810:3350	MEMBER, support, battery, starboard ... ..	1	—	MR	JB.5
	1810:3551	MEMBER, support, hinge, port ... ..	1	—	MR	JB.34
	1810/5449A	MOUNTING assy, gyro, aft ... ..	1	—	MR	JB.34
	1810/5447A	MOUNTING assy, gyro, forward ... ..	1	—	MR	JB.34
	1810:5263	SPIGOT ... ..	2	—	MR	JB.34
		Attachment parts for 1810:5263 :—				
28M/9414136	A.103-EP	Nut ... ..	1	—	C	—
28W/9418921	SP.13-E	Washer ... ..	1	—	C	—
28W/17666	SP.122-E	Washer ... ..	1	—	C	—
	1810.4373A	SPIGOT assy, forward, port ... ..	1	—	MR	JB.35
	1810.4374A	SPIGOT assy, forward, starboard ... ..	1	—	MR	JB.35
		STRUCTURE ASSY, KEEL (1810/9A and 9A/UN)				
		Spares for :—				
	1810.4535	ANGLE, frame 11 ... ..	1	—	MR	JB.22
	1310:1675A	ANGLE assy, attachment, rudder, bar mounting ...	1	—	MR	JB.31
	1310.1675A/UN	ANGLE assy, attachment, rudder, bar mounting ...	1	—	MR	—
		Spares for :—				
28M/9435067	AGS.2008-C1	NUT, anchor... ..	2	—	C	—
6963	FOS.41.4	NUT, anchor... ..	2	—	MR/C	—
		BEAM assy, floor, frame 5-6, port (1310/3593A and 3593A:UN)				
		Spares for :—				
2903	1310.3597ND	BEAM ... ..	1	—	C	JB.31
2610	1210.933	FITTING, end ... ..	1	—	C	JB.31
28M/11957	AGS.2007-C1	NUT, anchor... ..	4	—	C	—
6963	FOS.41.4	NUT, anchor... ..	4	—	MR/C	—
28M/9435649	AGS.2018-E1	NUT, anchor... ..	1	—	C	—
28M/9480962	A.157-E	NUT, anchor... ..	1	—	C	—
		BEAM assy, floor, frame 5-6, starboard (1310/3595A and 3595A:UN)				
		Spares for :—				
2904	1310.3599ND	BEAM ... ..	1	—	C	JB.31
2610	1210.933	FITTING, end ... ..	1	—	C	JB.31
28M/11957	AGS.2007-C1	NUT, anchor... ..	4	—	C	—
6963	FOS.41.4	NUT, anchor... ..	4	—	MR/C	—
28M/9435649	AGS.2018-E1	NUT, anchor... ..	1	—	C	—
28M.9480962	A.157-E	NUT, anchor... ..	1	—	C	—
		BRACKET assy, mounting, frame 9C, starboard ...	1	—	MR	JB.22
	1810:4665A/UN	BRACKET assy, mounting, frame 9C, starboard ...	1	—	MR	—
		Spares for :—				
28M.9435067	AGS.2008-C1	NUT, anchor... ..	1	—	C	—
6963	FOS.41.4	NUT, anchor... ..	1	—	MR/C	—
		BRACKET assy, pulley mounting, port (1810/3753A/1 and 3753A:UN 1)				
		Spares for :—				
	1810.6783	BRACKET, guard (Mod. 321) ... ..	1	—	MR/C	JB.22
		Attachment parts for 1810/6783 :—				
	AD.44	Rivet, "Imex" ... ..	2	—	C	—
		BRACKET assy, pulley, mounting, starboard (1810/3781A:1 and 3781A:UN/1)				
		Spares for :—				
	1810:6781	BRACKET guard (Mod. 321) ... ..	1	—	MR/C	JB.22
		Attachment parts for 1810/6781 :—				
	AD.44	Rivet, "Imex" ... ..	2	—	C	—

FUSELAGE  
FRONT PORTION

Issued with A.L. No. 9

		BRACKET assy, mounting, pulley, frame 11-12, port (1810:3753A and 3753A/UN) (Pre-mod. 321)				
		BRACKET assy, mounting, pulley frame 11-12, port (1810:3753A/1 and 3753A/UN) (Mod. 321)				
		Spares for :—				
	1810/3311	CAPPING (Pre-mod. 321) ... ..	1	—	MR	—
	1810/3311/1	CAPPING (Mod. 321) ... ..	1	—	MR	JB.22
	1810/3307	MEMBER, channel (Pre-mod. 516) ... ..	1	—	MR	—
	1810/3307/1	MEMBER, channel (Mod. 516) ... ..	1	—	MR	JB.22
	1810/3309	MEMBER, " Z " (Pre-mod. 516) ... ..	1	—	MR	—
	1810/3309/1	MEMBER, " Z " (Mod. 516) ... ..	1	—	MR	JB.22
28M/11957	AGS.2007-C1	NUT, anchor... ..	2	—	C	—
6963	FOS.41/4	NUT, anchor... ..	2	—	MR/C	—

## FUSELAGE

## FRONT PORTION

Issued with A.L. No. 18

REF. No.	PART NUMBER	DESCRIPTION	No. OFF	MATL. SPEC.	CL. OF ST.	PLATE No.
					M.R. L.M.	
		1 2 3 4 5				
		BRACKET assy, mounting, pulley, frame 11-12 . . . . . (1810/3871A and 3871A/UN) (Pre-Mod. 321)		—		
		BRACKET assy, mounting, pulley, frame 11-12 . . . . . (1810/3871A/1 and 3871A/UN/1) (Mod. 321)		—		
		Spares for:—				
	1810/3877	CAPPING (Pre-mod. 321) . . . . .	1	—	MR	JB.22
	1810/3877/1	CAPPING (Mod. 321) . . . . .	1	—	MR	JB.22
	1810/3873	MEMBER, "Z" (Pre-mod. 321) . . . . .	1	—	MR	JB.22
	1810/3873/1	MEMBER, "Z" (Mod. 321) (Pre-mod. 516) . . . . .	1	—	MR	—
	1810/3873/2	MEMBER, "Z" (Mod. 516) . . . . .	1	—	MR	JB.22
	1810/3875	MEMBER, "Z" (Pre-mod. 516) . . . . .	1	—	MR	JB.22
	1810/3875/2	MEMBER, "Z" (Mod. 516) . . . . .	1	—	MR	—
28M/11957 6963	AGS.2007-C1 FOS.41/4	NUT, anchor . . . . .	2	—	C	—
	1810/4667A	NUT, anchor . . . . .	2	—	MR/C	—
	1810/4667A/UN	BRACKET assy, pulley, frame 7, starboard . . . . .	1	—	MR	JB.31
		BRACKET assy, pulley, frame 7, starboard . . . . .	1	—	MR	—
		Spares for:—				
28M/9434251 6961	AGS.2008-B1 FOS.41/2	NUT, anchor . . . . .	1	—	C	—
28M/9435067 6963	AGS.2008-C1 FOS.41/4	NUT, anchor . . . . .	1	—	MR/C	—
		NUT, anchor . . . . .	1	—	C	—
		NUT, anchor . . . . .	1	—	MR/C	—
18 9621	1810/4671	BRACKET, pulley, frame 11 . . . . .	1	—	MR	JB.22
		BULKHEAD ASSY, SLOPING (1810/31A and 31A/UN)				
		Spares for:—				
	1810/2423	ANGLE, port . . . . .	1	—	MR	JB.17
	1810/2424	ANGLE, starboard . . . . .	1	—	MR	JB.17
	1810/3771	ANGLE, port . . . . .	1	—	MR	JB.17
	1810/3772	ANGLE, starboard . . . . .	1	—	MR	JB.17
	1810/3839A	ANGLE assy . . . . .	1	—	MR	JB.16
		ANGLE assy, attachment, floor, forward . . . . . (1810/195A and 195A/UN)				JB.16
		Spares for:—				
	1810/195B	ANGLE, attachment . . . . .	1	—	MR	—
28M/9435067 6963	AGS.2008-C1 FOS.41/4	NUT, anchor . . . . .	4	—	C	—
		NUT, anchor . . . . .	4	—	MR/C	—
28M/9144673 6972	AGS.2019-C1 FOS.44/3	NUT, anchor . . . . .	2	—	C	—
		NUT, anchor . . . . .	2	—	MR/C	—
	1810/205	ANGLE, attachment . . . . .	1	—	MR	JB.17
	1810/3965	ANGLE, floor, port . . . . .	1	—	MR	JB.17
	1810/3965/UN	ANGLE, floor, port . . . . .	1	—	MR	—
	1810/3963	ANGLE, floor, starboard . . . . .	1	—	MR	JB.17
	1810/3963/UN	ANGLE, floor, starboard . . . . .	1	—	MR	—
	1815/771	BEARING, canopy controls, port . . . . .	1	—	MR	JB.16
4097	FOS.18/8	BOLT . . . . .	2	—	MR/C	—
6994	FOS.53/10	BOLT . . . . .	2	—	MR/C	—
7831	1810/6565A	BOSS assy (Mod. 197) . . . . .	2	—	MR/C	JB.17
	1810/4411	BRACKET, port . . . . .	1	—	MR	JB.16
	1810/4412	BRACKET, starboard . . . . .	1	—	MR	JB.16
	1810/247	BRACKET, L.H. . . . .	1	—	MR	JB.16
	1810/248	BRACKET, R.H. . . . .	1	—	MR	JB.16
1443978	1816/1107A/2	BRACKET assy, guide, front (Mod. 511) . . . . .	1	—	B	JB.12
1443979	1816/1107A/UN/2	BRACKET assy, guide, front (Mod. 511) . . . . .	1	—	MR	—
		Spares for:—				
7594	1816/1119/1	PIECE, distance . . . . .	1	—	MR/C	JB.12
7595	1816/1125/1	PIECE, distance . . . . .	1	—	MR/C	JB.12
—	1816/2371/1	PLATE, attachment, for "Q" selector . . . . . (Mod. 511)	2	—	MR	JB.12
		Spares for:—				
1483721	1816/2371/C	Clip (Mod. 511) . . . . .	1	—	C	—

FUSELAGE  
FRONT PORTION

Issued with A.L. No. 11

REF. No.	PART NUMBER	DESCRIPTION	No. OFF	MATL. SPEC.	CL. OF ST.	PLATE No.
					M.R. L.M.	
		1 2 3 4 5				
1174	1816/149	ROLLER .....	2	—	MR/C	JB.12
		Attachment parts for 1816/149:—				
28M/9416046	A.103-ET	Nut .....	1	—	C	—
28W/17666	SP.122-E	Washer .....	1	—	C	—
4030	1816/475	ROLLER .....	1	—	MR/C	JB.12
	1816/475/UN	ROLLER .....	1	—	MR	—
		Attachment parts for 1816/475 and 475/UN:—				
28D/7002428	A.25-6C	Bolt .....	1	—	C	—
28DU/9419568	A.102-6D	Bolt .....	1	—	C	—
28M/1006473	A.27-CT	Nut .....	1	—	C	—
28M/9419540	A.103-DT	Nut .....	1	—	C	—
28W/9419475	SP.15-C	Washer .....	1	—	C	—
28W/9457834	SP.124-D	Washer .....	1	—	C	—
7593	1816/1123/1	SPINDLE, roller .....	2	—	MR/C	JB.12
		Attachment parts for 1816/1123/1:—				
28M/9416046	A.103-ET	Nut .....	1	—	C	—
28W/17427	SP.124-E	Washer .....	1	—	C	—
1077	1816/53A	BRACKET assy, guide, port .....	2	—	MR/B	JB.16
7384	1816/53A/UN	BRACKET assy, guide, port .....	2	—	MR/B	—
1078	1816/54A	BRACKET assy, guide, starboard .....	1	—	MR/B	JB.16
7385	1816/54A/UN	BRACKET assy, guide, starboard .....	1	—	MR/B	—
		Spares for:—				
1174	1816/149	ROLLER .....	2	—	MR/C	JB.16
		Attachment parts for 1816/149:—				
28M/9419046	A.103-ET	Nut .....	1	—	C	—
28W/9418921	SP.13-E	Washer .....	1	—	C	—
28W/17666	SP.122-E	Washer .....	1	—	C	—
4030	1816/475	ROLLER .....	1	—	MR/C	JB.16
	1816/475/UN	ROLLER .....	1	—	MR	—
		Attachment parts for 1816/475 and 475/UN:—				
28D/7002428	A.25-6C	Bolt .....	1	—	C	—
28DU/9419568	A.102-6D	Bolt .....	1	—	C	—
28M/1006473	A.27/CT	Nut .....	1	—	C	—
28M/9419540	A.103-DT	Nut .....	1	—	C	—
28W/9419475	SP.15-C	Washer .....	1	—	C	—
28W/9457834	SP.124-D	Washer .....	1	—	C	—
1176	1816/147	SPINDLE, roller .....	2	—	MR/C	JB.16
		Attachment parts for 1816/147:—				
28M/9419046	A.103-ET	Nut .....	1	—	C	—
28W/9419405	SP.15-E	Washer .....	1	—	C	—
28W/17427	SP.124-E	Washer .....	1	—	C	—
		Attachment parts for 1816/53-4A and 53-4A/UN:—				
28D/1011242	A.25-7E	Bolt .....	4	—	C	—
28D/9414346	A.102-7E	Bolt .....	4	—	C	—
28M/12928	A.27-EP	Nut .....	4	—	C	—
28M/9414136	A.103-EP	Nut .....	4	—	C	—
28W/9419405	SP.15-E	Washer .....	4	—	C	—
28W/17427	SP.124-E	Washer .....	4	—	C	—

## FUSELAGE

## FRONT PORTION

Issued with A.L. No. 18

REF. No.	PART NUMBER	DESCRIPTION	No. OFF	MATL. SPEC.	CL. OF ST	PLATE No.
					M.R. L.M.	
		1 2 3 4 5				
	1810/2885A	BRACKET assy, pulley, port	1	-	MR	-
	1810/2885A/UN	BRACKET assy, pulley, port	1	-	MR	JB 17
	1810/2887A/1	BRACKET assy, pulley, starboard (Mod. 241)	1	-	MR	-
	1810/2887A/UN/1	BRACKET assy, pulley, starboard (Mod. 241)	1	-	MR	JB.17
	1810/2771A	BRACKET assy, pulley, top	1	-	MR	JB.17
	1810/2773A	BRACKET assy, pulley, top	1	-	MR	JB 17
	1810/201	BRACKET, attachment, aft, port	1	-	MR	JB.17
	1810/202	BRACKET, attachment, aft, starboard	1	-	MR	JB.17
	1810/203	BRACKET, attachment, front	1	-	MR	JB.16
	1810/4347	BRACKET, conduit	1	-	MR	JB.17
	1810/2693	BRACKET, rudder bar adjustment	1	-	MR	JB.17
5570	1815/963	BUFFER, canopy controls	1	-	MR/C	JB.17
	1210/375	CHANNEL, floor	1	-	MR	JB.16
	1810/213	CHANNEL, reinforcing, port	1	-	MR	JB.16
	1810/214	CHANNEL, reinforcing, starboard	1	-	MR	JB.16
8065	1810/6497A	CLEAT assy, angle	1	-	MR/C	JB.16
8066	1810/6497A/UN	CLEAT assy, angle	1	-	MR/C	-
	1810/331	CLEAT, L.H.	1	-	MR	JB.17
	1810/332	CLEAT, R.H.	1	-	MR	JB.17
	1810/333	CLEAT, L.H.	1	-	MR	JB.16
	1810/334	CLEAT, R.H.	1	-	MR	JB.16
	1810/937	CLEAT	2	-	MR	JB.16
	1810/939	CLEAT	2	-	MR	JB.17
	1810/2133	CLEAT, L.H.	1	-	MR	JB.16
	1810/2134	CLEAT, R.H.	1	-	MR	JB.16
	1810/2945	CLEAT	3	-	MR	JB.16
	1810/2947	CLEAT	2	-	MR	JB.16
	1810/3155	CLEAT	1	-	MR	JB.17
	1810/3171	CLEAT	1	-	MR	-
	1810/3841	CLEAT	1	-	MR	JB.17
		Attachment parts for 1810/3841:-				
8111	Tucker Eyelet Co. AD.44R	Rivet, "Imex"	A/R	-	C	-
	1810/4233	CLEAT	1	-	MR	JB.17
	1810/4689	CLEAT, L.H. (Pre-mod. 316)	1	-	MR	JB.17
	1810/4690	CLEAT, R.H. (Pre-mod. 316)	1	-	MR	JB.17
	1810/4819	CLEAT	1	-	MR	JB.17
	1815/643	CLEAT, canopy controls	1	-	MR	JB.16
†6857	FOS.8/3	CLEAT	1	-	MR/C	-
6868	FOS.14/4	CLEAT (Pre-mod. 679)	1	-	MR/C	-
	1810/193	DIAPHRAGM, L.H.	1	-	MR	JB.16
	1810/194	DIAPHRAGM, R.H.	1	-	MR	JB.16
	1810/243	DIAPHRAGM	1	-	MR	JB.16
18 9596	1210/395	DOUBLER, L.H.	1	-	MR	JB.16
18 9594	1210/396	DOUBLER, R.H.	1	-	MR	JB.16
18 9595	1310/645	DOUBLER, L.H.	1	-	MR	JB.16
	1310/646	DOUBLER, R.H.	1	-	MR	JB.16
	1810/191	DOUBLER, L.H.	1	-	MR	JB.16

FUSELAGE  
FRONT PORTION

Issued with A.L No 14

REF. No.	PART NUMBER	DESCRIPTION	No. OFF	MATL. SPEC.	CL. OF ST.	PLATE No.
					M.R. L.M.	
		1 2 3 4 5				
	1810/192	DOUBLER, R.H. ....	1	-	MR	JB.16
	1810/215	DOUBLER ....	1	-	MR	JB 16
	1810/2985	DOUBLER, L.H. ....	1	-	MR	JB.17
	1810/2987	DOUBLER, R.H. ....	1	-	MR	JB 17
		FITTING assy, attachment, nose undercarriage (1310/2765-6A and 2765-6A/UN) Spares for:-				
	1210/313/UN	FITTING, lower ....	1	-	MR	JB.16
‡1018	1210/315	STUD ....	2	-	MR/C	JB 16
‡5572	1210/315/UN	STUD ....	2	-	MR/C	-
		Attachment parts for 1310/2765-6A and 2765-6A/UN):-				
28D/1011030	A.25-2E	Bolt ....	2	-	C	-
28DU/9414341	A.102-2E	Bolt ....	2	-	C	-
28D/12519	A.25-3E	Bolt ....	1	-	C	-
28DU/9414342	A.102-3E	Bolt ....	1	-	C	-
28D/13487	AS.3294-3E	Bolt ....	1	-	C	-
28DU/1201843	A.119-3E	Bolt ....	1	-	C	-
28D/15811	AS.4598-3E	Bolt ....	1	-	C	-
28DU9415681	A.113-3E	Bolt ....	1	-	C	-
28M/12928	A.27-EP	Nut ....	2	-	C	-
28M/9414136	A.103-EP	Nut ....	2	-	C	-
28M/12931	A.27-ET	Nut ....	3	-	C	-
28M/9416046	A.103-ET	Nut ....	3	-	C	-
28W/9419405	SP.15-E	Washer ....	5	-	C	-
28W/17427	SP.124-E	Washer ....	5	-	C	-
	1810/3961	FLANGE, cradle ....	1	-	MR	JB.17
7822	1810/6401A	HINGE assy, port (Mod. 197) ....	1	-	MR/C	JB.17
7823	1810/6402A	HINGE assy, starboard (Mod. 197) ....	1	-	MR/C	JB.17
		Attachment parts for 1810/6401-2A:-				
‡7827	1810/6421	Bolt, special, port (Mod. 197) ....	1	-	MR/C	JB.17
‡7828	1810/6423	Bolt, special, starboard (Mod. 197) ....	1	-	MR/C	JB.17
7832	1810/6631	Pin, port (Mod. 197) ....	1	-	MR/C	JB.17
7833	1810/6632	Pin, starboard (Mod. 197) ....	1	-	MR/C	JB.17
28P/1007741	SP.9-C8	Pin, split ....	4	-	C	-
		MECHANISM, "Q" selector, installation front cockpit (1816/1101A and 1101A/UN) Spares for:-				
7588	1816/1109A/1	LEVER assy (Mod. 98) ....	1	-	MR/C	JB.12
		Attachment parts for 1816/1109A/1:-				
7589	1816/1117/1	Bolt, shouldered ....	1	-	MR/C	JB.12
28M/9480974	A.105-DS	Nut ....	1	-	C	-
28P/1009706	SP.4Y-A2	Pin ....	1	-	C	-
28P/1007740	SP.9-B4	Pin, split ....	1	-	C	-
28P/13563	SP.9-B5	Pin, split ....	1	-	C	-
28W/9157972	SP.126-D	Washer ....	1	-	C	-

FUSELAGE  
FRONT PORTION

Issued with A.L. No. 8

5498	1816/111/1	MOUNTING, lever (Mod. 98) ... .. 1	—	MR	JB.12
	Negretti & Zambra 4-41534	SELECTOR, " Q " ... .. 1	—	MR/A	—
		Spares for :—			
8103	Negretti & Zambra 2-43517	PIN, cotter, split ... .. 1	—	MR	—
	Negretti & Zambra 2-43507	RING, " O " ... .. 1	—	MR/C	—
	Negretti & Zambra 2-43509	SCREW, spring securing ... .. 1	—	MR	—
	Negretti & Zambra 2-43519	SPRING, inner ... .. 1	—	MR	—
	Negretti & Zambra 2-43518	SPRING, outer ... .. 1	—	MR	—
		Attachment parts for 4-41534 :—			
28D/1010030	A.25-7C	Bolt ... .. 2	—	C	—
28DU/9419969	A.102-7D	Bolt ... .. 2	—	C	—
28M/10328	AGS.2002-C1	Nut ... .. 2	—	C	—
6956	FOS.40/4	Nut ... .. 2	—	MR/C	—
28W/9419454	SP.10-C	Washer ... .. 2	—	C	—
28W/9157972	SP.126-D	Washer ... .. 2	—	C	—
	1810/6133	MOUNTING, oleo pivot ... .. 1	—	MR	JB.16
		Attachment parts for 1810/6133 :—			
28D/12518	A.25-2E	Bolt ... .. 12	—	C	—
28DU/9414341	A.102-2E	Bolt ... .. 12	—	C	—
28D/12519	A.25-3E	Bolt ... .. 12	—	C	—
28DU/9414342	A.102-3E	Bolt ... .. 10	—	C	—
28M/12931	A.27-ET	Nut ... .. 22	—	C	—
28M/9416046	A.103-ET	Nut ... .. 22	—	C	—
28W/9419405	SP.15-E	Washer ... .. 22	—	C	—
28W/17427	SP.124-E	Washer ... .. 22	—	C	—
		Alternative attachment parts for 1810/6133 :—			
6352	BBH/104/08	Collar ... .. 16	—	C	—
6354	BBH/101/FN/08/04	RIVET, Hi-shear ... .. 6	—	C	—
6355	BBH/101/FN/08/05	RIVET, Hi-shear ... .. 10	—	C	—
28M/9435067	AGS.2008-C1	NUT, anchor... .. 2	—	C	—
6963	FOS.41/4	NUT, anchor... .. 2	—	MR/C	—
28M/9144673	AGS.2019-C1	NUT, anchor... .. 4	—	C	—
28M/9438471	A.158-D	NUT, anchor... .. 4	—	C	—
	1810/4391	PACKING ... .. 1	—	MR	JB.16
	1810/6833	PACKING, piece (Mod. 316) ... .. 2	—	MR	—
	1810/2957	PACKING, taper, inner, port ... .. 1	—	MR	JB.16
	1810/2769	PACKING, taper, inner, starboard ... .. 1	—	MR	JB.16
	1810/2959	PACKING, taper, outer, port ... .. 1	—	MR	JB.16
	1810/2955	PACKING, taper, outer, starboard ... .. 1	—	MR	JB.16
2317	1810/1847	PAD, bearing ... .. 4	—	MR/C	JB.17
2318	1810/1851	PAD, bearing (Pre-mod. 114) ... .. 1	—	MR/C	JB.17
7731	1810/6319	PAD, bearing (Mod. 114) ... .. 1	—	MR/C	JB.17

FUSELAGE  
FRONT PORTION

Issued with A.L. No. 8

		Attachment parts for 1810/1847, 1851 and 6319 :—			
28D/9140203	AS.1246-3C	Bolt	...	2	— C —
28DU/9480236	A.116-3D	Bolt	...	2	— C —
28M/9403520	A.27-CP	Nut	...	2	— C —
28M/9419538	A.103-DP	Nut	...	2	— C —
28VV/9419475	SP.15-C	Washer	...	2	— C —
28VV/9457834	SP.124-D	Washer	...	2	— C —
5573	1810/2775	PAD, bearing	...	1	— MR/C JB.16
4038	1810/4389	PANEL, access	...	1	— C JB.16
5576	1810/4389/UN	PANEL, access	...	1	— MR/C —
		Attachment parts for 1810/4389 and 4389/UN :—			
28D/13461	AS.3297-2C	Bolt	...	16	— C —
28DU/9480270	A.173-2D	Bolt	...	16	— C —
	1810/1771A	PANEL, assy., lower	...	1	— MR JB.17
		Spares for :—			
1064	1241/211	PULLEY	...	2	— MR/C JB.17
		Attachment parts for 1241/211 :—			
5574	1210/483	Bush	...	1	— MR/C JB.17
28N/5549	AGS.899-2	Collar	...	1	— C —
28P/830	SP.4Y-B4	Pin	...	1	— C —
28P/1007741	SP.9-C8	Pin, split	...	1	— C —
5575	1210/485	TUBE, distance, at pulley	...	2	— MR/C JB.17
		PANEL assy, seating (1810/4387A and 4387A/UN)			
		Spares for :—			
	1810/4387B	PANEL, seating	...	1	— MR JB.16
	1810/4387B/UN	PANEL, seating	...	1	— MR —
	1810/245	PANEL, side, inner, L.H.	...	1	— MR JB.16
	1810/246	PANEL, side, inner, R.H.	...	1	— MR JB.16
7824	1810/6697A	PLATE assy, spring attachment (Mod. 197)	...	2	— MR/C JB.17
		Attachment parts for 1810/6697A :—			
28P/1007741	SP.9-C8	Pin, split	...	2	— C —
	1810/6071	PLATE, bearing (Pre-mod. 349)	...	1	— MR JB.16
	1810/6685	PLATE, bearing (Mod. 349)	...	1	— MR JB.16
9079	1810/3959A	PLATE, bolt	...	1	— MR/C JB.17
‡ 5571	1810/3959A/UN	PLATE, bolt	...	2	— MR/C —
	1810/241	PLATE, cover	...	2	— MR JB.16
	1810/2915ND	PLATE, cover (9th-24th A/C)	...	1	— MR JB.16
7825	1810/6411	POST, extension, seat, L.H. (Mod. 197)	...	1	— MR/C JB.17
7826	1810/6412	POST, extension, seat, R.H. (Mod. 197)	...	1	— MR/C JB.17
		POST, seat, L.H. (1810/219A and 219A/UN)	...		
		POST, seat, R.H. (1810/220A and 220A/UN)	...		
		Spares for :—			
	1810/2779	ANGLE, port	...	1	— MR JB.17
	1810/3843	ANGLE, port	...	1	— MR JB.17
		Attachment parts for 1810/3843 :—			
8111	Tucker Eyelet Co. AD.44R	Rivet, "Imex"	...	A/R	— C —



FUSELAGE  
FRONT PORTION

Issued with A.L. No. 8

		Attachment parts for 10AJ/5340-99-120-1983 :—							
28D 9140638	A.25-4B	Bolt	...	...	...	...	4	—	C —
28DU 17317	A.102-4C	Bolt	...	...	...	...	4	—	C —
28M 10327	AGS.2002-B1	Nut	...	...	...	...	4	—	C —
28M 9438427	A.126-C	Nut	...	...	...	...	4	—	C —
28W 9419474	SP.15-B	Washer	...	...	...	...	4	—	C —
28W 9419404	SP.124-C	Washer	...	...	...	...	4	—	C —
	1810 261	PLATE, cover	...	...	...	...	1	—	MR JB.17
	1810 263	PLATE, cover	...	...	...	...	1	—	MR JB.17
	1810 2729	PLATE, cover	...	...	...	...	1	—	MR JB.17
		Attachment parts for 1810 2729 :—							
8111	Tucker Eyelet Co. AD.44R	Rivet, "Imex"	...	...	...	...	A/R	—	C —
	1810 2137	PLATE, throat	...	...	...	...	1	—	MR JB.17
7830	1810 6457	SPRING (Mod. 197)	...	...	...	...	2	—	MR/C JB.17
		Attachment parts for 1810 6457 :—							
28M 9419452	A.103-BP	Nut	...	...	...	...	2	—	C —
7835	Salter 5133-12	Ring, retaining (Mod. 197)	...	...	...	...	4	—	MR/C —
7834	1810 6699	Stud (Mod. 197)	...	...	...	...	2	—	MR/C JB.17
28W 17542	SP.124-B	Washer	...	...	...	...	2	—	C —
	1810 207	STIFFENER	...	...	...	...	1	—	MR —
	1810 211	STIFFENER, L.H.	...	...	...	...	1	—	MR JB.17
	1810 212	STIFFENER, R.H.	...	...	...	...	1	—	MR JB.17
	1810 849	STIFFENER, L.H. (Pre-mod. 316)	...	...	...	...	1	—	MR —
	1810 849.1	STIFFENER, L.H. (Mod. 316)	...	...	...	...	1	—	MR JB.17
	1810 850	STIFFENER, R.H. (Pre-mod. 316)	...	...	...	...	1	—	MR JB.17
	1810 850.1	STIFFENER, R.H. (Mod. 316)	...	...	...	...	1	—	MR JB.17
	1810 1735	STIFFENER, L.H.	...	...	...	...	1	—	MR JB.17
	1810 1736	STIFFENER, R.H.	...	...	...	...	1	—	MR JB.17
7829	1810 6431	STOP (Mod. 197)	...	...	...	...	2	—	MR C JB.17
		Attachment parts for 1810 6431 :—							
28D 9133011	A.25-2C	Bolt	...	...	...	...	2	—	C —
28DU 9419967	A.102-2D	Bolt	...	...	...	...	2	—	C —
28M 9403520	A.27-CP	Nut	...	...	...	...	2	—	C —
28M 9419538	A.103-DP	Nut	...	...	...	...	2	—	C —
28W 9419475	SP.15-C	Washer	...	...	...	...	2	—	C —
28W 9457834	SP.124-D	Washer	...	...	...	...	2	—	C —
		STRUCTURE, support, canopy jettison mechanism (1810 3247A and 3247A UN)							
		Spares for :—							
	1810 2245	BEARING, shaft	...	...	...	...	1	—	MR JB.37
	1810 6407	BLOCK, hinge pivot, port (Mod. 197)	...	...	...	...	1	—	MR JB.37
	1810 6407/UN	BLOCK, hinge pivot, port (Mod. 197)	...	...	...	...	1	—	MR —
		Attachment parts for 1810 6407 and 6407 UN :—							
28D 1013172	AS.1242-5C	Bolt	...	...	...	...	2	—	C —
28DU 9480273	A.173-5D	Bolt	...	...	...	...	2	—	C —
28M 10328	AGS.2002-C1	Nut	...	...	...	...	2	—	C —
28M 9438428	A.126-D	Nut	...	...	...	...	2	—	C —
28W 9419475	SP.15-C	Washer	...	...	...	...	2	—	C —
28W 17544	SP.124-D	Washer	...	...	...	...	2	—	C —
	1810 6409	BLOCK, hinge pivot, starboard (Mod. 197)	...	...	...	...	1	—	MR JB.37

FUSELAGE  
FRONT PORTION

Issued with A.L. No. 9

	1810/6409	BLOCK, hinge pivot, starboard (Mod. 197)	1	—	MR	—
		Attachment parts for 1810/6409 and 6409/UN :—				
	28D/1013172 AS.1242-5C	Bolt	2	—	C	—
	28DU/9480273 A.173-5D	Bolt	2	—	C	—
	28M/10328 AGS.2002-C1	Nut	2	—	C	—
	28M/9438428 A.126-D	Nut	2	—	C	—
	28VV/9419475 SP.15-C	Washer	2	—	C	—
	28VV/9457834 SP.124-D	Washer	2	—	C	—
	8353 1810/6713	BOLT, special (Mod. 349)	1	—	C	JB.37
	1881/1861A	BRACKET assy	1	—	MR	JB.37
	8352 1810/6715ND	BUFFER, rubber (Mod. 349)	1	—	C	JB.37
	7261 1815/947	BUFER, rubber	1	—	MR/C	JB.37
‡	6932 FOS.23/1	CLEAT (Mod. 299)	2	—	MR/C	—
‡	7014 FOS.54/1	CLEAT (Mod. 299)	2	—	MR/C	—
	7044 FOS.8/6	CLEAT (Mod. 299)	1	—	MR/C	—
	3540 1810/3987A	DOOR assy, aft	1	—	MR/C	JB.37
		Spares for :—				
	8380 Camloc 5.S.5-5	STUD assy	1	—	—	—
	7785 Camloc 5.S.3-1	WASHER	1	—	MR/C	—
	5516 1810/5969A	DOOR assy, port	1	—	C	JB.37
	7262 1810/5969A/UN	DOOR assy, port	1	—	MR/C	—
		Attachment parts for 1810/5969A and 5969A/UN :—				
	28S/14568 AS.2993-4C	Screw	7	—	C	—
	28S/9995340 A.204-D14	Screw	7	—	C	—
	8213 1810/5967A/1	DOOR assy, starboard (Mod. 256)	1	—	C	JB.37
	8214 1810/5967A/UN/1	DOOR assy, starboard (Mod. 256)	1	—	MR/C	—
		Spares for :—				
	7264 1810/6529	BLOCK, tapered (Mod. 256)	1	—	MR/C	JB.57
	1810/6309	LABEL, arming, auto-box	1	—	MR/C	—
		Attachment parts for 1810/5967A and 5967A/UN :—				
	28S/14568 AS.2993-4C	Screw	7	—	C	—
	28S/9995340 A.204-D14	Screw	7	—	C	—
		DOUBLER assy (1810/3985A)				
		Spares for :—				
	7787 Camloc 5.R.2-1	RECEPTACLE	1	—	MR/C	—
	1810/2611A	GUARD assy	1	—	MR	JB.37
	1810/2613A	GUARD assy	1	—	MR	JB.37
	1810/5831	GUARD, starboard	1	—	MR	JB.37
	28M/9435067 AGS.2008-C1	NUT, anchor	8	—	C	—
	6963 FOS.41/4	NUT, anchor	8	—	MR/C	—
	28M/13774 AGS.2019-B1	NUT, anchor	1	—	C	—
	6971 FOS.44/1	NUT, anchor	1	—	MR/C	—
	28M/9144673 AGS.2019-C1	NUT, anchor	6	—	C	—
	6972 FOS.44/3	NUT, anchor	6	—	MR/C	—
		PANEL assy, skin, forward (1810/3973A and 3973A/UN)				
		Spares for :—				
‡	6932 FOS.23/1	CLEAT (Mod. 71)	1	—	MR/C	—
‡	7014 FOS.54/1	CLEAT (Mod. 71)	1	—	MR/C	—

FUSELAGE  
FRONT PORTION

Issued with A.L. No. 9

7784	1810/6671A	DOOR assy, access (Mod. 299) ... .. 1	—	MR/C	JB.16
		Spares for :—			
	Camloc				
7786	Camloc 557-5	STUD (Mod. 299) ... .. 1	—	—	—
7785	Camloc 553-1	WASHER, retaining (Mod. 299) ... 1	—	MR/C	—
	1810/6669	DOUBLER (Mod. 299) ... .. 1	20 SWG L.72	LM	JB.16
28M/9435067	AGS.2008-C1	NUT, anchor... .. 13	—	C	—
6963	FOS.41/4	NUT, anchor... .. 13	—	MR/C	—
28M/9435068	AGS.2008-E1	NUT, anchor... .. 1	—	C	—
6964	FOS.41/5	NUT, anchor... .. 1	—	MR/C	—
	1810/6661	PLATE, rubbing (Amendt. 260) ... 1	—	MR/C	—
7787	Camloc 5R2-1	RECEPTACLE, plain (Mod. 299) ... 1	—	MR/C	—
	1810/5159A	PLATE assy, nut... .. 1	—	MR	JB.37
	1810/5159A/UN	PLATE assy, nut... .. 1	—	MR	—
	1810/2243	PLATE, bearing ... .. 1	—	MR	JB.37
	1810/1967	PLATE, reinforcing ... .. 1	—	MR	JB.37
	1810/3245	SHIM ... .. 1	—	MR	JB.37
7260	1810/3997	STIFFENER ... .. 1	—	MR/C	—
		Attachment parts for 1810/3997 :—			
28D/9436920	A.25-1C	Bolt ... .. 4	—	C	—
28DU/9419565	A.102-1D	Bolt ... .. 4	—	C	—
28M/9403520	A.27-CP	Nut ... .. 4	—	C	—
28M/9419538	A.103-DP	Nut ... .. 4	—	C	—
28W/9419402	SP.13-C	Washer ... .. 4	—	C	—
28W/1010519	SP.122-D	Washer ... .. 4	—	C	—
5CW/4615	Burgess V.3	SWITCH, micro (Mod. 214) ... .. 2	—	B	JB.37
		Complete with :—			
10AR/0519055	Burgess V.L.R.1	ACTUATOR ... .. 2	—	C	JB.37
		Attachment parts for 5CW/4615 :—			
28M/1200096	A.27-AT	Nut ... .. 2	—	C	—
28S/9435714	A.31-A32	Screw ... .. 2	—	C	—
28W/9416641	SP.47-A	Washer ... .. 2	—	C	—
	1810/2609	TUBE, assy, guide ... .. 1	—	MR	JB.37
5581	1810/4413	WASHER ... .. 2	—	MR/C	JB.16
5579	1810/4621	WASHER ... .. 1	—	MR/C	JB.16
5580	1810/4621/UN	WASHER ... .. 1	—	MR/C	—
	1810/221	WEB, sloping bulkhead ... .. 1	—	MR	JB.16
	1810/3313	CLEAT ... .. 2	—	MR	JB.22
		Attachment parts for 1810/3313 :—			
8112	Tucker Eyelet Co. AD.46R	Rivet, "Imex" ... .. A/R	—	C	—

## FUSELAGE

## FRONT PORTION

Issued with A.L. No. 16

REF. No.	PART NUMBER	DESCRIPTION	No. OFF	MATL. SPEC.	CL. OF ST.	PLATE No.
					M.R. L.M.	
		1 2 3 4 5				
†6857	1810/3315	CLEAT .....	1	—	MR	JB.22
	1810/3755	CLEAT .....	1	—	MR	JB.22
	1810/5197	CLEAT .....	1	—	MR	JB.22
	FOS.8/3	CLEAT .....	2	—	MR/C	
		CLEAT assy (1810/4745A and 4745A/UN)	—	—		
		Spares for:—				
		CLEAT .....	1	—	MR	JB.31
		NUT, anchor .....	1	—	C	
		NUT, anchor .....	1	—	MR/C	
		CLEAT, attachment, frame 22, starboard .....	1	—	MR	JB.22
		CLEAT, attachment, frame 22, starboard .....	1	—	MR	JB.22
	CLEAT, frame 5, port .....	1	—	MR	JB.31	
	CLEAT, frame 5, starboard .....	1	—	MR	JB.31	
	CLEAT, starboard, console, front .....	1	—	MR	JB.30	
‡	1810/4639	DIAPHRAGM, port .....	1	—	MR	JB.22
‡	1810/7085	DIAPHRAGM, fwd., starboard (Mod. 729) .....	1	—		JB.22
		DIAPHRAGM, rudder bar mounting (1310/1671A and 1671A/UN)				
		Spares for:—				
28M/9435087	AGS.2008-C1	NUT, anchor .....	2	—	C	
6963	FOS.41/4	NUT, anchor .....	2	—	MR/C	
	1310/3557ND	PRESSING, diaphragm .....	1	—	MR/C	JB.31
8337	1810/4673A/1	DOOR, frame 7 (Mod. 328) .....	1	—	MR/C	JB.31
		Attachment parts for 1810/4673A/1:—				
28D/1007982	AS.1248-1C	Bolt .....	4	—	C	
28DU/9419534	A.113-1D	Bolt .....	4	—	C	
		DUCTING assy, hydraulic (1810/3191A and 3191A/UN)				
		Spares for:—				
	1810/7081F	ANGLE, reinforcing (Mod. 729) .....	1	—		JB.22
	1810/6145	CHANNEL .....	1	—	MR	JB.22
	1810/3083	DISH .....	1	—	MR	JB.22
	1810/3325A	DUCTING assy, hydraulic .....	1	—	MR	JB.22
3894	1810/3401A	FLANGE, assy .....	1	—	MR/C	JB.22
3895	1810/3403A	FLANGE, assy .....	1	—	MR/C	JB.22
3892	1810/3389	MEMBER, side .....	1	—	MR/C	JB.22
3893	1810/3391	MEMBER, side .....	1	—	MR/C	JB.22
28M/9993192	AGS.2009-C1	NUT, anchor .....	18	—	C	
6978	FOS.49/4/1	NUT, anchor .....	18	—	MR/C	
28M/13481	AGS.2020-C1	NUT, anchor .....	3	—	C	
7632	FOS.50/4/1	NUT, anchor .....	3	—	MR/C	
3896	1810/3787	PACKING .....	1	—	C	JB.22
	1810/3787/UN	PACKING .....	1	—	MR	
3890	1810/2999	PLATE (Pre-mod. 208) .....	1	—	MR/C	
	1810/2999/1	PLATE (Mod. 208) .....	1	—	MR/C	JB.22
	1810/3081-C	PLATE, sub-assy, throat .....	1	—	MR	JB.22
	1810/3081C/UN	PLATE, sub-assy, throat .....	1	—	MR	JB.22
8691	1810/6659A	PLUG, assy, drain (Mod. 344) .....	3	—	B	JB.22
		Spares for:—				
	1810/6657	BLOCK .....	3	—	MR/C	JB.22
8349	1810/6655	BOLT, special .....	3	—	C	JB.22
8348	1810/6653	WASHER, rubber .....	3	—	C	JB.22

**RESTRICTED**

FUSELAGE  
FRONT PORTION

Issued with A.L. No. 16

REF. No.	PART NUMBER	DESCRIPTION	No. OFF	MATL. SPEC.	CL. OF ST.	PLATE No.
					M.R. L.M.	
		1 2 3 4 5				
		FLOOR assy, cockpit, rear, sloping bulkhead to . . . . .	-	-	-	JB.25
		frame 9C, port (1810/2219A and 2219A/UN)				
		FLOOR assy, cockpit, rear, sloping bulkhead to . . . . .	-	-	-	JB.25
		frame 9C Starboard (1810/2220A and 2220A/UN)				
		Spares for:-				
3141	1810/2539	ANGLE, port . . . . .	1	-	MR	
	1810/2539/UN	ANGLE, port . . . . .	1	-	MR	JB.25
3142	1810/2540	ANGLE, starboard . . . . .	1	-	MR	
	1810/2540/UN	ANGLE, starboard . . . . .	1	-	MR	JB.25
3143	1810/2541	ANGLE, port . . . . .	1	-	MR	
	1810/2541/UN	ANGLE, port . . . . .	1	-	MR	JB.25
3144	1810/2542	ANGLE, starboard . . . . .	1	-	MR	
	1810/2542/UN	ANGLE, starboard . . . . .	1	-	MR	JB.25
	1810/3863	ANGLE, floor, outer, port . . . . .	1	-	MR	JB.25
	1810/3864	ANGLE, floor, outer, starboard . . . . .	1	-	MR	JB.25
	1810/6767ND	ANGLE, attachment (Mod. 316) . . . . .	1	-	MR	
	1810/6768ND	ANGLE, attachment (Mod. 316) . . . . .	1	-	MR	
	1810/6825	ANGLE, floor, forward (Mod. 316) . . . . .	1	-	MR	JB.25
	1810/6826	ANGLE, floor, forward (Mod. 316) . . . . .	1	-	MR	JB.25
	1810/6827	ANGLE, floor, aft (Mod. 316) . . . . .	1	-	MR	JB.25
	1810/6828	ANGLE, floor, aft (Mod. 316) . . . . .	1	-	MR	JB.25
	1810/2543/UN	BRACKET, frame 9, port . . . . .	1	-	MR	JB.25
	1810/2544/UN	BRACKET, frame 9, starboard . . . . .	1	-	MR	JB.25
	1810/4835	BRACKET, port (Pre Mod. 316) . . . . .	1	-	MR	JB.25
	1810/4836	BRACKET, starboard (Pre-mod. 316) . . . . .	1	-	MR	JB.25
	1810/5395A	BRACKET assy, starboard . . . . .	1	-	MR	JB.25
		BRACKET assy, pulley mounting, canopy controls (1810/6069A) (25th and Sub. A/C)	-	-		
		Spares for:-				
	1810/6705	BLOCK, sealing (Amendt. 319) . . . . .	1	-	MR	JB.25
	1810/6067A	BODY assy, bracket . . . . .	1	-	MR	JB.25
	1810/3481	DIAPHRAGM . . . . .	1	-	MR	JB.25
28M/9438469	A.157-D	NUT, anchor . . . . .	1	-	C	
6963	FOS.41/4	NUT, anchor . . . . .	2	-	MR/C	
6972	FOS.44/3	NUT, anchor . . . . .	1	-	MR/C	
	1810/3479	PACKING . . . . .	1	-	MR	JB.25
	1810/3479/UN	PACKING . . . . .	1	-	MR	
	1810/321	CLEAT . . . . .	2	-	MR	JB.25
	1810/2545	CLEAT, frame 9 (Pre-mod. 316) . . . . .	1	-	MR	JB.25
	1810/3731	CLEAT, port . . . . .	1	-	MR	JB.25
	1810/3731/UN	CLEAT, port . . . . .	1	-	MR	
	1810/3732	CLEAT, starboard . . . . .	1	-	MR	JB.25
	1810/3732/UN	CLEAT, starboard . . . . .	1	-	MR	
	1810/4657	CLEAT . . . . .	1	-	MR	JB.25
	1810/4797	CLEAT, port . . . . .	2	-	MR	JB.25
	1810/4799	CLEAT, port . . . . .	1	-	MR	JB.25
8323	1810/6815A	CONDUIT assy. (Mod. 316) . . . . .	1	-	C	JB.25
		Attachment parts for 1810/6815A:-				
8329	FOS.98/4	Bolt . . . . .	3	-	C	
28W/17549	SP.125-B	Washer . . . . .	3	-	C	

**RESTRICTED**

## FUSELAGE

### FRONT PORTION

Issued with A.L. No. 9

	1810/2429	DIAPHRAGM, frame 8, port (Pre-mod. 316) ...	1	—	MR	—
	1810/6759A	DIAPHRAGM assy (Mod. 316) ...	1	—	MR	JB.25
	1810/2430	DIAPHRAGM, frame 8, starboard (Pre-mod. 316)	1	—	MR	—
	1810/6760A	DIAPHRAGM assy (Mod. 316) ...	1	—	MR	JB.25
	1810/2549	DIAPHRAGM, port ...	1	—	MR	JB.25
	1810/2549/UN	DIAPHRAGM, port (Pre-mod. 316) ...	1	—	MR	—
	1810/6761/A	DIAPHRAGM assy (Mod. 316) ...	1	—	MR	—
	1810/2550	DIAPHRAGM, starboard ...	1	—	MR/C	JB.25
	1810/2550/UN	DIAPHRAGM, starboard (Pre-mod. 316) ...	1	—	MR	—
	1810/6819A	DIAPHRAGM assy (Mod. 316) ...	1	—	MR	—
	1810/6757A	DIAPHRAGM assy, forward (Mod. 316)...	1	—	MR	JB.25
	1810/6758A	DIAPHRAGM assy, forward (Mod. 316)...	1	—	MR	JB.25
	1810/6817A	DIAPHRAGM assy (Mod. 316) ...	1	—	MR	JB.25
		FAIRLEAD assy (1845/4613A and 4615A) ...	—	—		
		Spares for :—				
8330	1845/4613-B	WASHER, inner (Mod. 316) ...	8	—	C	JB.25
8331	1845/4613-C	WASHER, inner (Mod. 316) ...	8	—	C	JB.25
8332	1845/4615-B	WASHER, inner (Mod. 316) ...	4	—	C	JB.25
8333	1845/4615-C	WASHER, recessed (Mod. 316) ...	4	—	C	JB.25
3145	1810/2679	FLOOR, pilot's, frame 9 to bulkhead, port	1	—	MR/C	JB.25
5599	1810/2679/UN	FLOOR, pilot's, frame 9 to bulkhead, port	1	—	MR/C	—
3146	1810/2680	FLOOR, pilot's, frame 9 to bulkhead, starboard	1	—	MR/C	JB.25
5600	1810/2680/UN	FLOOR, pilot's, frame 9 to bulkhead, starboard	1	—	MR/C	—
		Attachment parts for 1810/2679-80A and 2679-80A/UN :—				
28D/1007981	AS.1248- $\frac{1}{2}$ C	Bolt ...	7	—	C	—
28DU/9480222	A.113- $\frac{1}{2}$ D	Bolt ...	7	—	C	—
28D/1007982	AS.1248-1C	Bolt ...	4	—	C	—
28DU/9419534	A.113-1D	Bolt ...	4	—	C	—
28D/13132	AS.3297-1C	Bolt ...	8	—	C	—
28DU/9480269	A.173-1D	Bolt ...	8	—	C	—
	1810/2647	GUARD, cable, port ...	1	—	MR	JB.25
	1810/2648	GUARD, cable, starboard ...	1	—	MR	JB.25
8324	1845/4575	HOUSING (Mod. 316) ...	1	—	C	JB.25
8325	1845/4576	HOUSING (Mod. 316) ...	1	—	C	JB.25
8326	1845/4577	HOUSING (Mod. 316) ...	1	—	C	JB.25
8327	1845/4578	HOUSING (Mod. 316) ...	1	—	C	JB.25
8328	1845/4581	HOUSING (Mod. 316) ...	1	—	C	JB.25
	1810/2409A	MEMBER assy, floor, inner, port...	1	—	MR	JB.25
	1810/2409A/UN	MEMBER assy, floor, inner, port...	1	—	MR	JB.25
	1810/6749A	MEMBER assy, aft (Mod. 316) ...	1	—	MR	—
	1810/6750A	MEMBER assy, aft (Mod. 316) ...	1	—	MR	—
		MEMBER assy, floor, inner, starboard (1810/2410A and 2410A/UN)	—	—		
		Spares for :—				
	1810/2410B	MEMBER, floor ...	1	—	MR	JB.25
	1810/2410B/UN	MEMBER, floor ...	1	—	MR	JB.25
	1810/5323	PACKING, port ...	1	—	MR	JB.25
	1810/5323/UN	PACKING, port ...	1	—	MR	—
6837	FOS.2/20C	PACKING ...	66	—	MR/C	—
6838	FOS.2/20W	PACKING ...	66	—	MR/C	—
6844	FOS.3/20C	PACKING ...	5	—	MR/C	—
7387	FOS.3/20W	PACKING ...	5	—	MR/C	—
	1810/6777ND	PAD, closing (Mod. 316) ...	2	—	MR	JB.25
	1810/6779ND	PAD, closing (Mod. 316) ...	2	—	MR	JB.25
8321	1810/6755	PLATE, cover (Mod. 316) ...	1	—	C	JB.25
8322	1810/6756	PLATE, cover (Mod. 316) ...	1	—	C	JB.25

FUSELAGE  
FRONT PORTION

Issued with A.L. No. 9

		Attachment parts for 1810/6755 and 6756 :—							
28DU/9480166	A.102-1B	Bolt	...	...	...	1	—	C	—
28W/17542	SP.124-B	Washer	...	...	...	1	—	C	—
5614	1810/5853A	PANEL assy, floor, removable, frame 9-9C, port				1	—	MR/C	JB.25
5615	1810/5853A/UN	PANEL assy, floor, removable, frame 9-9C, port				1	—	MR/C	—
5601	1810/5855A	PANEL assy, floor, removable, frame 9-9C, starboard				1	—	MR/C	JB.25
5602	1810/5855A/UN	PANEL assy, floor, removable, frame 9-9C, starboard				1	—	MR/C	—
	1810/5395A	Spares for :— BRACKET assy, starboard				1	—	MR	JB.25
		Attachment parts for 1810/5853-5A and 5853-5A/UN :—							
28D/9436920	A.25-1C	Bolt	...	...	...	9	—	C	—
28DU/9419565	A.102-1D	Bolt	...	...	...	9	—	C	—
28D/1007982	AS.1248-1C	Bolt	...	...	...	13	—	C	—
28DU/9419534	A.113-1D	Bolt	...	...	...	13	—	C	—
28W/9419475	SP.15-C	Washer	...	...	...	9	—	C	—
28W/9457834	SP.124-D	Washer	...	...	...	9	—	C	—
4036	1810/4697A	PANEL assy, floor, removable, frame 9-9C, inboard, port				1	—	MR/C	JB.25
5603	1810/4697A/UN	PANEL assy, floor, removable, frame 9-9C, inboard, port				1	—	MR/C	—
4037	1810/4698A	PANEL assy, floor, removable, frame 9-9C, inboard, starboard				1	—	MR/C	JB.25
5604	1810/4698A/UN	PANEL assy, floor, removable, frame 9-9C, inboard, starboard				1	—	MR/C	—
		Attachment parts for 1810/4697-8A and 4697-8A/UN :—							
28D/1007982	AS.1248-1C	Bolt	...	...	...	21	—	C	—
28DU/9419534	A.113-1D	Bolt	...	...	...	21	—	C	—
	1810/4781	PLATE, floor, anchor nut, port				1	—	MR	—
	1810/4781/UN	PLATE, floor, anchor nut, port				1	—	MR	JB.25
		SHROUD assy, quadrant, port (1810/2397A and 2397A/UN) :—				—	—		
		SHROUD assy, quadrant, starboard (1810/2398A and 2398A/UN) :—				—	—		
		Spares for :—							
	1810/2417ND	ANGLE, port (Pre-mod. 316)				1	—	MR	—
	1810/2417ND/UN	ANGLE, port (Pre-mod. 316)				1	—	MR	JB.25
	1810/2416ND	ANGLE, starboard (Pre-mod. 316)				1	—	MR	—
	1810/2418ND/UN	ANGLE, starboard (Pre-mod. 316)				1	—	MR	JB.25
	1810/2419ND	MEMBER "Z," port (Pre-mod. 316)				1	—	MR	—
	1810/2419ND/UN	MEMBER "Z," port (Pre-mod. 316)				1	—	MR	JB.25
	1810/2420ND	MEMBER "Z," starboard				1	—	MR	—
	1810/2420ND/UN	MEMBER "Z," starboard (Pre-mod. 316)				1	—	MR	JB.25
	1810/2547	STRAP, frame 9				1	—	MR	—
	1810/2547/UN	STRAP, frame 9				1	—	MR	JB.25

FUSELAGE  
FRONT PORTION

Issued with A.L. No. 9

		FLOOR assy, pilot's, frame 4 to sloping bulkhead (1810/5153A and 5153A/UN) :—	—	—		
		Spares for :—				
5583	1810/3453A	ANGLE assy, mounting, oxygen pedestal, port	1	—	MR/C	JB.35
5584	1810/3453A/UN	ANGLE assy, mounting, oxygen pedestal, port	1	—	MR/C	—
5585	1810/3454A	ANGLE assy, mounting oxygen pedestal, starboard	1	—	MR/C	JB.35
5586	1810/3454A/UN	ANGLE assy, mounting, oxygen pedestal, starboard	—	—	MR/C	—
		Spares for :—				
28M/11957	AGS.2007-C1	NUT, anchor ... ..	4	—	C	—
6963	FOS.41/4	NUT, anchor ... ..	4	—	MR/C	—
28M/12421	AGS.2018-C1	NUT, anchor ... ..	1	—	C	—
28M/9438469	A.157-D	NUT, anchor ... ..	1	—	C	—
		Attachment parts for 1810/3453-4A and 3453-4A/UN :—				
28D/9436920	A.25-1C	Bolt ... ..	4	—	C	—
28DU/9419566	A.102-1D	Bolt ... ..	4	—	C	—
28VV/9419475	SP.15-C	Washer ... ..	4	—	C	—
28VV/9457834	SP.124-D	Washer ... ..	4	—	C	—
	1810/6613	ANGLE, retaining (Amendt. 319) ... ..	1	—	MR	JB.35
	1810/6614	ANGLE, retaining (Amendt. 319) ... ..	1	—	MR	JB.35
28M/11957	AGS.2007-C1	NUT, anchor... ..	32	—	C	—
6963	FOS.41/4	NUT, anchor... ..	32	—	MR/C	—
28M/9435649	AGS.2018-E1	NUT, anchor... ..	4	—	C	—
28M/9480962	A.157-E	NUT, anchor... ..	4	—	C	—
5587	1810/5283	PANEL assy, floor, frame 4 ... ..	1	—	MR/C	JB.35
5588	1810/5283UN	PANEL assy, floor, frame 4 ... ..	1	—	MR/C	—
		Attachment parts for 1810/5283A and 5283A/UN :—				
28D/1007982	AS.1248-1C	Bolt ... ..	14	—	C	—
28DU/9419534	A.113-1D	Bolt ... ..	14	—	C	—
28D/13132	AS.3297-1C	Bolt ... ..	4	—	C	—
28DU/9480269	A.173-1D	Bolt ... ..	4	—	C	—
28VV/9419475	SP.15-C	Washer ... ..	14	—	C	—
28VV/9457834	SP.124-D	Washer ... ..	14	—	C	—
5591	1810/5279A	PANEL assy, floor, frame 5 ... ..	1	—	MR/C	JB.35
5592	1810/5279A/UN	PANEL assy, floor, frame 5 ... ..	1	—	MR/C	—
		Attachment parts for 1810/5279A and 5279A/UN :—				
28D/1007982	AS.1248-1C	Bolt ... ..	10	—	C	—
28DU/9419534	A.113-1D	Bolt ... ..	10	—	C	—
28VV/9419475	SP.15-C	Washer ... ..	10	—	C	—
28VV/9457834	SP.124-D	Washer ... ..	10	—	C	—
5593	1810/5281A	PANEL assy, floor, frame 5 ... ..	1	—	MR/C	JB.35
5594	1810/5281A/UN	PANEL assy, floor, frame 5 ... ..	1	—	MR/C	—
5595	1810/5282A	PANEL assy, floor, frame 5 ... ..	1	—	MR/C	JB.35
5596	1810/5282A/UN	PANEL assy, floor, frame 5 ... ..	1	—	MR/C	—
		Spares for :—				
	1810/5281C	STRIP, retaining ... ..	1	—	MR	JB.35
		Attachment parts for 1810/5281-2A and 5281-2A/UN :—				
28D/1007982	AS.1248-1C	Bolt ... ..	1	—	C	—
28DU/9419534	A.113-1D	Bolt ... ..	1	—	C	—
28D/13132	AS.3297-1C	Bolt ... ..	9	—	C	—
28DU/9480269	A.173-1D	Bolt ... ..	9	—	C	—

FUSELAGE  
FRONT PORTION

Issued with A.L. No. 9

28W/9419475	SP.15/C	Washer	...	...	...	...	...	1	—	C	—
28W/9457834	SP.124-D	Washer	...	...	...	...	...	1	—	C	—
‡ 4723	1810/5195A	PANEL assy, floor, frame 5-6	...	...	...	...	...	1	—	MR/C	JB.35
‡ 5589	1810/5195A/UN	PANEL assy, floor, frame 5-6	...	...	...	...	...	1	—	MR/C	—
		Spares for :—									
5803	1810/5631	FAIRLEAD	...	...	...	...	...	1	—	MR/C	JB.35
5804	1810/5633	FAIRLEAD	...	...	...	...	...	1	—	MR/C	JB.35
		Attachment parts for 1810/5631 and 5633 :—									
28D/1008149	A.25-2B	Bolt	...	...	...	...	...	5	—	C	—
28DU/9419561	A.102-2B	Bolt	...	...	...	...	...	5	—	C	—
28M/10215	AGS.2008-B1	NUT, anchor	...	...	...	...	...	2	—	C	—
6961	FOS.41/2	NUT, anchor	...	...	...	...	...	2	—	MR/C	—
		Attachment parts for 1810/5195A and 5195A/UN:—									
28D/1007982	AS.1248-1C	Bolt	...	...	...	...	...	16	—	C	—
28DU/9419534	A.113-1D	Bolt	...	...	...	...	...	16	—	C	—
28D/13132	AS.3297-1C	Bolt	...	...	...	...	...	4	—	C	—
28DU/9480269	A.173-1D	Bolt	...	...	...	...	...	4	—	C	—
28W/9419475	SP.15-C	Washer	...	...	...	...	...	16	—	C	—
28W/9457834	SP.124-D	Washer	...	...	...	...	...	16	—	C	—
5590	1810/5201A *	PANEL assy, floor, frame 7 to sloping bulkhead	...	...	...	...	...	1	—	MR/C	JB.35
		Attachment parts for 1810/5201A :—									
28D/1007982	AS.1248-1C	Bolt	...	...	...	...	...	10	—	C	—
28DU/9419534	A.113-1D	Bolt	...	...	...	...	...	10	—	C	—
28D/1013284	AS.1248-2C	Bolt	...	...	...	...	...	2	—	C	—
28DU/9480223	A.113-2D	Bolt	...	...	...	...	...	2	—	C	—
28W/9419475	SP.15-C	Washer	...	...	...	...	...	12	—	C	—
28W/9457834	SP.124-D	Washer	...	...	...	...	...	12	—	C	—
7932	1810/5475AND/1 *	PANEL sub-assy, floor, port (Mod. 46)	...	...	...	...	...	1	—	MR/C	JB.35
7933	1810/5476AND/1	PANEL sub-assy, floor, starboard (Mod. 46)	...	...	...	...	...	1	—	MR/C	JB.35
		Spares for :—									
	1810/6113	PLATE, sealing (Mod. 46)	...	...	...	...	...	1	—	MR	JB.35
	1810/6114	PLATE, sealing (Mod. 46)	...	...	...	...	...	1	—	MR	JB.35
	1810/6565	SEAL, rubber (Amendt. 319)	...	...	...	...	...	2	—	MR	JB.35
	1810/6621	SEAL, rubber (Amendt. 319)	...	...	...	...	...	2	—	MR	JB.35
	1810/6857ND	SHIM (Mod. 316)	...	...	...	...	...	1	—	MR	—
	1810/6859ND	SHIM (Mod. 316)	...	...	...	...	...	1	—	MR	—
		STIFFENER assy, port (1810/5275A and 5275A/UN)									
		STIFFENER assy, starboard (1810/5276A and 5276A/UN)									
		Spares for :—									
	1881/2321A	CLEAT assy	...	...	...	...	...	1	—	MR	JB.35
	1881/2321A/UN	CLEAT assy	...	...	...	...	...	1	—	MR	—
		Spares for :—									
28M/13774	AGS.2019-B1	NUT, anchor	...	...	...	...	...	1	—	C	—
28M/9438470	A.158-B	NUT, anchor	...	...	...	...	...	1	—	C	—
28M/9435067	AGS.2008-C1	NUT, anchor	...	...	...	...	...	1	—	C	—
28M/9438453	A.137-D	NUT, anchor	...	...	...	...	...	1	—	C	—
28M/9144673	AGS.1029-C1	NUT, anchor	...	...	...	...	...	1	—	C	—
28M/9438471	A.158-D	NUT, anchor	...	...	...	...	...	1	—	C	—
6847	FOS.4/16C	PACKING, anchor nut	...	...	...	...	...	1	—	MR/C	—
7639	FOS.31/14D	PACKING, anchor nut	...	...	...	...	...	1	—	MR/C	—
6849	FOS.5/16C	PACKING, anchor nut	...	...	...	...	...	1	—	MR/C	—
7388	FOS.32/14D	PACKING, anchor nut	...	...	...	...	...	1	—	MR/C	—
	1810/5275B	STIFFENER, port	...	...	...	...	...	1	—	MR	JB.35
	1810/5275B/UN	STIFFENER, port	...	...	...	...	...	1	—	MR	—
	1810/5276B	STIFFENER, starboard	...	...	...	...	...	1	—	MR	JB.35
	1810/5276B/UN	STIFFENER, starboard	...	...	...	...	...	1	—	MR	—

## FUSELAGE

### FRONT PORTION

Issued with A.L. No. 9

#### STIFFENER assy, port (1810/5277A and 5277A/UN) STIFFENER assy, starboard (1810/5278A and 5278A/UN)

Spares for :—

28M/9435067	AGS.2008-C1	NUT, anchor	...	...	...	2	—	C	—
28M/9438453	A.137-D	NUT, anchor	...	...	...	2	—	C	—
28M/9144673	AGS.2019-C1	NUT, anchor	...	...	...	2	—	C	—
28M/9438471	A.158-D	NUT, anchor	...	...	...	2	—	C	—
6847	FOS.4/16C	PACKING, anchor nut	...	...	...	2	—	MR/C	—
7639	FOS.31/14D	PACKING, anchor nut	...	...	...	2	—	MR/C	—
6849	FOS.5/16C	PACKING, anchor nut	...	...	...	2	—	MR/C	—
7388	FOS.31/14D	PACKING, anchor nut	...	...	...	2	—	MR/C	—
	1810/5277B	STIFFENER, port	...	...	...	1	—	MR	JB.35
	1810/5277B/UN	STIFFENER, port	...	...	...	1	—	MR	—
	1810/5278B	STIFFENER, starboard	...	...	...	1	—	MR	JB.35
	1810/5278B/UN	STIFFENER, starboard	...	...	...	1	—	MR	—
	1810/6567	STRIP, retaining (Amendt. 319)	...	...	...	2	—	MR	JB.35

#### FLOOR assy, pilot's, rear, frame 9C-10 (1810/123A and 123A/UN) (Pre-mod. 321)

#### FLOOR assy, pilot's, rear, frame 9C-10 (1810/123A/1 and 1810/123A/UN/1) (Mod. 321)

Spares for :—

	1810/6745A	ANGLE (Mod. 321)	...	...	...	1	—	MR	JB.35
	1810/4597ND	ANGLE, starboard (Pre-mod. 321)	...	...	...	1	—	MR	—
	1810/4597/1	ANGLE, starboard (Mod. 321)	...	...	...	1	—	MR	JB.35
		Attachment parts for 1810/4597ND :—							
28D/9436920	A.15-1C	Bolt	...	...	...	2	—	C	—
28DU/9419565	A.102-1D	Bolt	...	...	...	2	—	C	—
28M/9403520	A.27-CP	Nut	...	...	...	2	—	C	—
28M/9419538	A.103-DP	Nut	...	...	...	2	—	C	—
28W/9419475	SP.15-C	Washer	...	...	...	2	—	C	—
28W/9457834	SP.124-D	Washer	...	...	...	2	—	C	—

#### BEAM assy, mounting (1810/519A and 519A/UN)

Spares for :—

	1810/521ND	BEAM	...	...	...	1	—	MR	JB.35
28M/11957	AGS.2007-C1	NUT, anchor	...	...	...	4	—	C	—
6963	FOS.41/4	NUT, anchor	...	...	...	4	—	MR/C	—
	1810/523	CLEAT, port	...	...	...	1	—	MR	JB.35
	1810/524	CLEAT, starboard	...	...	...	1	—	MR	JB.35
4638	1810/5183ND	DOOR, access, starboard	...	...	...	1	—	MR/C	JB.35
		Attachment parts for 1810/5183ND :—							
28D/1007982	AS.1248-1C	Bolt	...	...	...	5	—	C	—
28DU/9480222	A.113-1D	Bolt	...	...	...	5	—	C	—
4016	1810/4847A	DOOR assy, access, port	...	...	...	1	—	MR/C	JB.35
		Attachment parts for 1810/4847A :—							
28D/1007982	AS.1248/1C	Bolt	...	...	...	4	—	C	—
28DU/9480222	A.113-1D	Bolt	...	...	...	4	—	C	—
5807	1810/5601	GROMMET, blind	...	...	...	1	—	MR/C	JB.35
	1845/2609	GUARD, cable (Pre-mod. 321)	...	...	...	1	—	MR	JB.35
28M/11957	AGS.2007-C1	NUT, anchor	...	...	...	9	—	C	—
6963	FOS.41/4	NUT, anchor	...	...	...	9	—	MR/C	—
6834	FOS.2/18C	PACKING, anchor nut	...	...	...	9	—	MR/C	—
6835	FOS.2/18W	PACKING, anchor nut	...	...	...	9	—	MR/C	—
	1810/781	PLATE, floor (Pre-mod. 321)	...	...	...	1	—	MR	—
	1810/781/1	PLATE, floor (Mod. 321)	...	...	...	1	—	MR	JB.35
		Attachment parts for 1810/781 :—							
8111	Tucker Eyelet Co. AD.44R	Rivet, "Imex"	...	...	...	A/R	—	C	—

FUSELAGE  
FRONT PORTION

Issued with A.L. No. 9

		FRAME 4 assy (1810/3745A and 3745A/UN)	...	-	—		
		Spares for :—					
	1810/4309	ANGLE, port	...	1	—	MR	JB.6
	1810/4310	ANGLE, starboard	...	1	—	MR	JB.6
		ANGLE assy (1810/5121A and 5121A/UN)	...	-	—		
		Spares for :—					
	1810/5121B	ANGLE	...	1	—	MR	JB.6
28M/9435067	AGS.2008-C1	NUT, anchor	...	5	—	C	—
6963	FOS.41/4	NUT, anchor	...	5	—	MR/C	—
28M/9144673	AGS.2019-C1	NUT, anchor	...	1	—	C	—
6972	FOS.44/3	NUT, anchor	...	1	—	MR/C	—
	1810/79	ANGLE, attachment, port	...	1	—	MR	JB.6
	1810/80	ANGLE, attachment, starboard	...	1	—	MR	JB.6
2316	1810/1779A	BLOCK, jacking	...	1	—	MR	JB.6
	1810/1779A/UN	BLOCK, jacking	...	1	—	MR	JB.6
		Attachment parts for 1810/1779A and 1779A/UN :—					
28DU/9419967	A.102-2D	Bolt	...	4	—	C	—
28M/9419538	A.103-DP	Nut	...	4	—	C	—
28W/1010519	SP.122-D	Washer	...	4	—	C	—
	1810/2017	BRACKET	...	1	—	MR	JB.6
	1810/3825	CLEAT assy (Amendt. 260)	...	1	—	MR	—
	1810/1259	CLEAT, port	...	1	—	MR	JB.6
	1810/1260	CLEAT, starboard	...	1	—	MR	JB.6
	1810/3437	CLEAT, port	...	1	—	MR	JB.6
	1810/3438	CLEAT, starboard	...	1	—	MR	JB.6
	1810/4199	CLEAT	...	1	—	MR	JB.6
6937	FOS.24/1	CLEAT assy	...	2	—	MR/C	—
6985	FOS.52/1	CLEAT assy	...	2	—	MR/C	—
7713	1883/1051A	COVER assy (Mod. 71)	...	1	—	MR/B	JB.6
		Attachment parts for 1883/1051A :—					
28S/9419437	A.31-A16	Screw	...	2	—	C	—
28DU/1009111	A.116/2A	Bolt	...	2	—	C	—
28M/10326	AGS.2002-A1	Nut	...	2	—	C	—
28M/9435687	A.125-A	Nut	...	2	—	C	—
28W/9419473	SP.15-A	Washer	...	2	—	C	—
28W/17541	SP.124-A	Washer	...	2	—	C	—
	1810/3421	FITTING, "T," port	...	1	—	MR	JB.6
	1810/3421/UN	FITTING, "T," port	...	1	—	MR	JB.6
	1810/3422	FITTING, "T," starboard	...	1	—	MR	JB.6
	1810/3422/UN	FITTING, "T," starboard	...	1	—	MR	—
		Attachment part for 1810/3421-2 and 3421-2UN					
28D/9133011	A.25-2C	Bolt	...	2	—	C	—
28DU/9419967	A.102-2D	Bolt	...	2	—	C	—
28M/9403520	A.27-CP	Nut	...	2	—	C	—
28M/9419538	A.103-DP	Nut	...	2	—	C	—
28W/9419402	SP.13-C	Washer	...	2	—	C	—
28W/1010519	SP.122-D	Washer	...	2	—	C	—
	1810/3423	FITTING, "T," port	...	1	—	MR	JB.6
	1810/3423/UN	FITTING, "T," port	...	1	—	MR	—
	1810/3424	FITTING, "T," starboard	...	1	—	MR	JB.6
	1810/3424/UN	FITTING, "T," starboard	...	1	—	MR	JB.6
28M/9144673	AGS.2019-C1	NUT, anchor	...	1	—	C	—
6972	FOS.44/3	NUT, anchor	...	1	—	MR/C	—
9042	1810/6723	LABEL (Amendt. 260)	...	1	—	MR/C	—
	1810/4471A	PLATE assy, mounting	...	1	—	MR	JB.6
5617	1810/5123A	PLATE assy, nut, ground pressure test connection, port	...	1	—	MR/C	—
5618	1810/5123A/UN	PLATE assy, nut, ground pressure test connection, port	...	1	—	MR/C	—

FUSELAGE  
FRONT PORTION

Issued with A.L. No. 9

		Spares for :—						
28M/13774	AGS.2019-B1	NUT, anchor	...	...	...	10	—	C —
28M/9438470	A.158-B	NUT, anchor	...	...	...	10	—	C —
	1810/961	PLATE, dished, spherical	...	...	...	2	—	MR JB.6
	1810/4821	PLATE, locking, port	...	...	...	1	—	MR JB.6
	1810/5109	STIFFENER, top-hat, port	...	...	...	1	—	MR JB.6
	1810/5111	STIFFENER, top-hat, starboard	...	...	...	1	—	MR JB.6
1043	1810/1111	UNION, bulkhead, starboard	...	...	...	1	—	MR/C JB.6
1044	1810/1113	UNION, bulkhead, starboard	...	...	...	1	—	MR/C JB.6
3542	1810/4515	UNION, bulkhead, starboard	...	...	...	1	—	MR/C JB.6
3543	1810/4517	UNION, bulkhead, starboard	...	...	...	1	—	MR/C JB.6
	1810/4933A	FRAME 5 assy, bottom	...	...	...	1	—	MR JB.31
	1810/4933A/UN	FRAME 5 assy, bottom	...	...	...	1	—	MR —
		Spares for :—						
	1810/5445	FLANGE, sealing	...	...	...	1	—	MR JB.31
28M/9435067	AGS.2008-C1	NUT, anchor	...	...	...	8	—	C —
28M/9438453	A.137-D	NUT, anchor	...	...	...	8	—	C —
28M/9144673	AGS.2019-C1	NUT, anchor	...	...	...	4	—	C —
28M/9438471	A.158-D	NUT, anchor	...	...	...	4	—	C —
6847	FOS.4/16C	PACKING, anchor nut	...	...	...	2	—	MR/C —
7639	FOS.31/14D	PACKING, anchor nut	...	...	...	2	—	MR/C —
6849	FOS.5/16C	PACKING, anchor nut	...	...	...	2	—	MR/C —
7388	FOS.32/14D	PACKING, anchor nut	...	...	...	2	—	MR/C —
	1810/5225A	FRAME 6 assy, bottom	...	...	...	1	—	— JB.31
	1810/5225A/UN	FRAME 6 assy, bottom	...	...	...	1	—	MR —
		Spares for :—						
	1310/1823	ANGLE, reinforcing	...	...	...	1	—	MR JB.31
	1210/1053	ANGLE, support, floor, port	...	...	...	1	—	MR JB.31
	1210/1054	ANGLE, support, floor, starboard	...	...	...	1	—	MR JB.31
6865	FOS.14/1	CLEAT	...	...	...	4	—	MR/C —
28M/9435067	AGS.2008-C1	NUT, anchor...	...	...	...	9	—	C —
6960	FOS.41/1	NUT, anchor...	...	...	...	9	—	MR/C —
28M/12421	AGS.2018-C1	NUT, anchor	...	...	...	3	—	C —
28M/9438469	A.157-D	NUT, anchor	...	...	...	3	—	C —
1147	1345/1251	PLATE, elevator stop	...	...	...	1	—	MR/C JB.31
5619	1345/1251/UN	PLATE, elevator stop	...	...	...	1	—	MR/C —
		Attachment parts for 1345/1251 and 1251/UN :—						
28D/12139	AS.1246-6C	Bolt	...	...	...	2	—	C —
28DU/9480274	A.173-6D	Bolt	...	...	...	2	—	C —
28M/10328	AGS.2002-C1	Nut	...	...	...	2	—	C —
6956	FOS.40/4	Nut	...	...	...	2	—	MR/C —
28VV/9457834	SP.124-D	Washer	...	...	...	2	—	C —
	1845/3763	PLATE, packing	...	...	...	1	—	MR JB.31
		Attachments arts for 1845/3763 :—						
28D/12139	AS.1246-6C	Bolt	...	...	...	2	—	C —
28DU/9480274	A.173-6D	Bolt	...	...	...	2	—	C —
28M/10328	AGS.2002-C1	Nut	...	...	...	1	—	C —
6956	FOS.40/4	Nut	...	...	...	2	—	MR/C —
28VV/9419475	SP.15-C	Washer	...	...	...	2	—	C —
28VV/9457834	SP.124-D	Washer	...	...	...	2	—	C —

## FUSELAGE

### FRONT PORTION

Issued with A.L. No. 8

	1810/3703A/1	FRAME 9C assy ... ..	1	—	
	1810/3703A/UN/1	FRAME 9C assy (Mod. 241) (Pre-mod. 208) ...	1	—	MR
	1810/6879A	FRAME 9C assy (Mod. 208) ... ..	1	—	MR JB.31
		Spres for:—			
	1810/6711A	BRACKET assy, cable guide (Mod. 241) ...	1	—	MR JB.31
		Spares for:—			
1496	1345/591A	PULLEY assy ... ..	1	—	MR/B JB.31
		Attachment parts for 1345/591A:—			
28D/7002428	A.25-6C	Bolt ... ..	1	—	C —
28DU/9419568	A.102-6D	Bolt ... ..	1	—	C —
2192	1845/967	Bush ... ..	1	—	MR/C JB.31
28M/13121	A.27-CS	Nut ... ..	1	—	C —
28M/9419539	A.103-DS	Nut ... ..	1	—	C —
28P/1007741	SP.9-C8	Pin, split ... ..	1	—	C —
28W/9419475	SP.15-C	Washer ... ..	1	—	C —
28W/9457834	SP.124-D	Washer ... ..	1	—	C —
	1810/737	CLEAT ... ..	1	—	MR JB.31
† 6856	FOS.8/1	CLEAT ... ..	1	—	MR/C —
† 6857	FOS.8/3	CLEAT ... ..	1	—	MR/C —
† 7522	FOS.17/1S	CLEAT ... ..	1	—	MR/C —
	1810/4301A	FRAME 11 assy (15th-24th A/C) (Pre-mod. 321) ...	1	—	MR
	1810/4301A/1	FRAME 11 assy (15th-24th A/C) (Mod. 321) ...	1	—	MR JB.31
	1810/6153A	FRAME 11 assy(25th and Sub A/C) (Pre-mod. 321)	1	—	MR —
	1810/6153A/1	FRAME 11 assy (25th and Sub A/C) (Mod. 321) ...	1	—	MR JB.31
		Spares for:—			
	1845/2685A	BRACKET assy ... ..	1	—	MR JB.31
		Spares for:—			
28M/15234	AGS.2019-C3	NUT, anchor ... ..	1	—	C —
7036	FOS.68/4/1	NUT, anchor ... ..	1	—	MR/C —
	1810/4433	DOUBLER (15th-24th A/C) ... ..	1	—	MR JB.31
	1810/4435	DOUBLER (Pre-mod. 321)... ..	1	—	MR —
	1810/4435/1	DOUBLER (Mod. 321) ... ..	1	—	MR JB.31
	1810/4431/1	PRESSING (Mod. 321) ... ..	1	—	MR JB.31
	1810/769A	FRAME, member, floor ... ..	1	—	MR JB.31
	1810/769A/UN	FRAME, member, floor ... ..	1	—	MR —
		GUARD assy, cable (1845/229A)			
		Spares for:—			
	1845/2709	ANGLE, port (Pre-mod. 321) ... ..	1	—	MR JB.31
	1845/2710	ANGLE, starboard (Pre-mod. 321) ... ..	1	—	MR JB.31
	1845/2651	BRACKET, support (Pre-mod. 321) ... ..	1	—	MR JB.31
	1845/231	GUARD, cable (Pre-mod. 321) ... ..	1	—	MR JB.31
	1845/4431	GUARD, spring (Mod. 321) ... ..	1	—	MR JB.31
		LONGERON assy, frame 5-6, port (1810/5329A and 5329A/UN)			
		LONGERON assy, frame 5-6, starboard (1810/5330A and 5330A/UN)			
		Spares for:—			
	1810/5329B	LONGERON, port ... ..	1	—	MR JB.32
	1810/5330B	LONGERON, starboard ... ..	1	—	MR JB.32
28M/9435251	AGS.2008-B1	NUT, anchor... ..	4	—	C —
6961	FOS.41/2	NUT, anchor ... ..	4	—	MR/C —
28M/9435067	AGS.2008-C1	NUT, anchor... ..	3	—	C —
6963	FOS.41/4	NUT, anchor... ..	3	—	MR/C —
		LONGERON assy, bottom frame 8-12, port (1810/2359A and 2359A/UN)			

FUSELAGE  
FRONT PORTION

Issued with A.L. No. 8

LONGERON assy, bottom frame 8-12, starboard  
(1810/2360A and 2360A/UN)

Spares for:—

1810/97	DIAPHRAGM, port	...	...	...	...	1	—	MR	JB.32
1810/98	DIAPHRAGM, starboard	...	...	...	...	1	—	MR	JB.32
1810/99	DIAPHRAGM, port	...	...	...	...	1	—	MR	JB.32
1810/100	DIAPHRAGM, starboard	...	...	...	...	1	—	MR	JB.32
1810/101	DIAPHRAGM, port	...	...	...	...	1	—	MR	JB.32
1810/102	DIAPHRAGM, starboard	...	...	...	...	1	—	MR	JB.32
1810/189	DIAPHRAGM, port	...	...	...	...	1	—	MR	JB.32
1810/190	DIAPHRAGM, starboard	...	...	...	...	1	—	MR	JB.32
1810/91	DOUBLER, longeron, port	...	...	...	...	1	—	MR	JB.32
1810/92	DOUBLER, longeron, starboard	...	...	...	...	1	—	MR	JB.32
1810/2361	LONGERON, port	...	...	...	...	1	—	MR	JB.32
1810/2362	LONGERON, starboard	...	...	...	...	1	—	MR	JB.32
28M/11957 6963	AGS.2007-C1 FOS.41/4	NUT, anchor...	...	...	...	2	—	C	—
		NUT, anchor...	...	...	...	2	—	MR/C	—
	1810/93	STRAP, port	...	...	...	1	—	MR	JB.32
	1810/94	STRAP, starboard	...	...	...	1	—	MR	JB.32

MEMBER assy, longeron, port (1810/661A and 661A/UN) (Pre-mod. 321)

MEMBER assy, longeron, port (1810/661/A and 661A/UN/1) (Mod. 321)

MEMBER assy, longeron, starboard (1810/662A and 662A/UN) (Pre-mod. 321)

MEMBER assy, longeron, starboard 1810/662A/1 and 662A/UN/1) (Mod. 321)

Spares for:—

1810/667	ANGLE	...	...	...	...	1	—	MR	JB.32
1810/667/UN	ANGLE	...	...	...	...	1	—	MR	—
1810/669	ANGLE	...	...	...	...	1	—	MR	JB.32
1810/669/UN	ANGLE	...	...	...	...	1	—	MR	—
1810/665	DOUBLER, port	...	...	...	...	1	—	MR	JB.32
1810/666	DOUBLER, starboard	...	...	...	...	1	—	MR	JB.32
1810/663ND/1	LONGERON, port	...	...	...	...	1	—	MR	JB.32
1810/663ND/UN	LONGERON, port (Pre-mod. 321)	...	...	...	...	1	—	MR	—
1810/663ND/UN/1	LONGERON, port (Mod. 321)	...	...	...	...	1	—	MR	—
1810/664-ND/1	LONGERON, starboard	...	...	...	...	1	—	MR	JB.32
1810/664ND/UN	LONGERON, starboard (Pre-mod. 321)	...	...	...	...	1	—	MR	—
1810/664ND/UN/1	LONGERON, starboard (Mod. 321)	...	...	...	...	1	—	MR	—
28M.9435067 6963	AGS.2008-C1 FOS.41/4	NUT, anchor...	...	...	...	2	—	C	—
28M/9144673	AGS.2019-C1	NUT, anchor...	...	...	...	2	—	MR/C	—
28D.9438471	A.158-D	NUT, anchor...	...	...	...	1	—	C	—
		NUT, anchor...	...	...	...	2	—	C	—

MEMBER assy, longeron, port (1810/757A and 757A/UN)

MEMBER assy, longeron, starboard (1810/758A and 758A/UN)

Spares for:—

1810/6135	PLATE, cover	...	...	...	...	1	—	MR	JB.32	
	Attachment parts for 1810/6135:—									
8111	Tucker Eyelet Co. AD.44R	Rivet, "Imex"	...	...	...	...	A/R	—	C	—
	1810/757B	PRESSING, port	...	...	...	...	1	—	MR	JB.32
	1810/757B/UN	PRESSING, port	...	...	...	...	1	—	MR	—
	1810/758B	PRESSING, starboard	...	...	...	...	1	—	MR	JB.32
	1810/758B/UN	PRESSING, starboard	...	...	...	...	1	—	MR	JB.32

## FUSELAGE

## FRONT PORTION

Issued with A.L. No. 16

REF. No.	PART NUMBER	DESCRIPTION	No. OFF	MATL. SPEC.	CL. OF ST.	PLATE No.
					M.R. L.M.	
		1	2	3	4	5
	1810/753A	MEMBER assy, side, floor, pilot's, port	1	—	MR	JB.35
	1810/753A/UN	MEMBER assy, side, floor, pilot's, port	1	—	—	
		Spares for:—				
28M/11957	AGS.2007-C1	NUT, anchor	2	—	C	
6963	FOS.41/4	NUT, anchor	2	—	MR/C	
	1810/753B	PRESSING	1	—	MR	JB.35
	1810/729A	MOUNTING assy, member, floor, rudder bar, port	1	—	MR	JB.32
	1810/729A/UN	MOUNTING assy, member, floor, rudder bar, port	1	—	—	
		Spares for:—				
	1310/1661	ANGLE, reinforcing	1	—	MR	JB.32
	1310/1661/UN	ANGLE, reinforcing	1	—	MR	
28M/9435067	AGS.2008-C1	NUT, anchor	7	—	C	
6963	FOC.41/4	NUT, anchor	1	—	MR/C	
28M/9144673	AGS.2019-C1	NUT, anchor	1	—	C	
28M/9438471	A.158-D	NUT, anchor	1	—	C	
	1810/787ND	PRESSING	1	—	MR	JB.32
	1810/787ND/UN	PRESSING	1	—	MR	
	1810/731A	MOUNTING assy, member, floor, rudder bar, . . . . .	1	—	MR	JB.32
		starboard				
	1810/731A/UN	MOUNTING assy, member, floor, rudder bar, . . . . .	1	—	—	
		port				
	1310/1669	ANGLE, attachment	1	—	MR	JB.32
	1310/1669/UN	ANGLE, attachment	1	—	MR	
	1310/1661	ANGLE, reinforcing	1	—	MR	JB.32
	1310/1661/UN	ANGLE, reinforcing	1	—	—	
28M/9435067	AGS.2008-C1	NUT, anchor	5	—	C	
6963	FOS.41/4	NUT, anchor	5	—	MR/C	
28M/9144673	AGS.2019-C1	NUT, anchor	3	—	C	
28M/9438471	A.158-D	NUT, anchor	3	—	C	
	1810/791ND	PRESSING	1	—	MR	
	1810/791ND/UN	PRESSING	1	—	MR	JB.32
	1810/4209A	MOUNTING assy, pulley	1	—	MR	JB.32
	1810/4209A/UN	MOUNTING assy, pulley	1	—	MR	
	1810/3397	PACKING	1	—	MR	JB.32
	1810/6901	PLATE (Mod. 496)	1	—	MR	JB.32
	1810/7081N	PLATE, retaining (Mod. 729)	1	—	MR	JB.32
1498070	1810/7081P	SEAL, rubber (Mod. 729)	1	—	C	JB.32
		SHROUD assy, port (1810/959A and 959A/UN)				
		(Pre-mod. 321)				
		SHROUD assy, starboard (1810/960A and 960A/UN)				
		(Pre-mod. 321)				
		Spares for:—				
	1210/1435	ANGLE, port (Pre-mod. 321)	1	—	MR	JB.21
	1210/1436	ANGLE, starboard (Pre-mod. 321)	1	—	MR	JB.21
	1210/1213	PLATE, retaining, port (Pre-mod. 321)	1	—	MR	JB.21
	1810/5425	PLATE, retaining, starboard (Pre-mod. 321)	1	—	MR	JB.21
	1210/1211	PLATE, shroud (Pre-mod. 321)	1	—	MR	JB.21
	1210/1212	PLATE, shroud (Pre-mod. 321)	1	—	MR	JB.21
		STIFFENER assy, skin, port (1810/1253ND)	—	—	—	
		STIFFENER assy, skin, starboard (1810/1254ND)	—	—	—	

FUSELAGE  
FRONT PORTION

Issued with A.L. No. 16

REF. No.	PART NUMBER	DESCRIPTION	No. OFF	MATL. SPEC.	CL. OF ST.	PLATE No.
					M.R. L.M.	
		1 2 3 4 5				
		Spares for:—				
28M/9144673	AGS.2019-C1	NUT, anchor .....	2	—	C	
28M/9438571	A.158-D	NUT, anchor .....	2	—	C	
	1810/1251ND	STIFFENER, skin (Pre-mod. 321) .....	1	—	MR	JB.21
	1810/1252ND	STIFFENER, skin (Pre-mod. 321) .....	1	—	MR	JB.21
		Attachment parts for 1810/1253-4ND:—				
28D/9438920	A.25-1C	Bolt .....	2	—	C	
28DU/9419565	A.102-1D	Bolt .....	2	—	C	
28W/9419475	SP.15-C	Washer .....	2	—	C	
28W/9467834	SP.124-D	Washer .....	2	—	C	
	1810/1065	STRINGER .....	1	—	MR	JB.21
	1810/1069	STRINGER .....	1	—	MR	JB.21
	1810/2535	STRINGER, port .....	1	—	MR	JB.21
	1810/2536	STRINGER, starboard .....	1	—	MR	JB.21
	1810/2537	STRINGER, port .....	1	—	MR	JB.21
	1810/2538	STRINGER, starboard .....	1	—	MR	JB.21
		STRUCTURE assy, mounting, control, front seat ... tube attachment (1810/671A and 671A/UN)				
		Spares for:—				
	1810/5285	DIAPHRAGM, sealing, port .....	1	—	MR	JB.21
	1810/5286	DIAPHRAGM, sealing, starboard .....	1	—	MR	JB.21
		Attachment parts for 1810/5285-6:—				
8111	Tucker Eyelet Co. AD.44R	Rivet, "Imex" .....	A/R	—	C	
	1810/529	END, eye .....	2	—	MR	JB.21
		Attachment parts for 1810/529:—				
28D/1008151	A.25-4E	Bolt .....	1	—	C	
28DU/9414343	A.102-4E	Bolt .....	1	—	C	
28D/1011240	A.25-5E	Bolt .....	1	—	C	
28DU/9414344	A.102-5E	Bolt .....	1	—	C	
28M/12928	A.27-EP	Nut .....	2	—	C	
28M/9414136	A.103-EP	Nut .....	2	—	C	
	1810/3327ND	Shim .....	2	—	MR	JB.21
	1810/675	Washer, throat .....	1	—	C	JB.21
28W/9418921	SP.13-E	Washer .....	2	—	C	
28W/17666	SP.122-E	Washer .....	2	—	C	
	1210/517A	MEMBER, mounting, control, upper .....	1	—	MR	JB.21
		MOUNTING assy, control and member, side at ... pressure bulkhead (1810/673A and 673A/UN)				
		Spares for:—				
	1810/1199A	ANGLE assy, port .....	1	—	MR	JB.21
	1810/1200A	ANGLE assy, starboard .....	1	—	MR	JB.21
1001	1210/553	ARM, hinge, port .....	1	—	MR/C	JB.21
1002	1210/554	ARM, hinge, starboard .....	1	—	MR/C	JB.21
		Attachment parts for 1210/553-4 and 553-4/UN:—				
28D/9133012	A.25-3C	Bolt .....	2	—	C	
28DU/9419566	A.102-3D	Bolt .....	2	—	C	
28D/8307	AS.1242-2C	Bolt .....	2	—	C	
28DU/9480271	A.173-3D	Bolt .....	2	—	C	
28M/10288	AGS.2001-C1	Nut .....	4	—	C	
6956	FOS.40/4	Nut .....	4	—	C	

## FUSELAGE

## FRONT PORTION

Issued with A.L. No 12

REF. No.	PART NUMBER	DESCRIPTION	No. OFF	MATL. SPEC.	CL. OF ST.	PLATE No.	
					M.R. L.M.		
		1	2	3	4	5	
1003	1210/1373	BUSH .....	2	—	MR/C	JB.21	
	1210/561	CHANNEL, flanged, port .....	1	—	MR	JB.21	
	1210/562	CHANNEL, flanged, starboard .....	1	—	MR	JB.21	
	1210/575	CLEAT, port .....	1	—	MR	JB.21	
	1210/576	CLEAT, starboard .....	1	—	MR	JB.21	
		COAMING assy, port (1810/5253A and 5253A/UN)					
		COAMING assy, starboard (1810/5254A and 5254A/UN)					
		Spares for:—					
		1810/5253B	COAMING, port .....	1	—	MR	JB.21
		1810/5254B	COAMING, starboard .....	1	—	MR	JB.21
		1210/563	DIAPHRAGM, port .....	1	—	MR	JB.21
		1210/564	DIAPHRAGM, starboard .....	1	—	MR	JB.21
		1810/1727	MEMBER, port .....	1	—	MR	JB.21
		1810/1728	MEMBER, starboard .....	1	—	MR	JB.21
		Attachment parts for 1810/1727-8:—					
	8112	Tucker Eyelet Co. AD.46R	Rivet, "Imex" .....	A/R	—	C	—
		1810/723A	MEMBER, hinge, port .....	1	—	MR	JB.21
1810/724A		MEMBER, hinge, starboard .....	1	—	MR	JB.21	
1310/721A		MEMBER, support, hinge .....	1	—	MR	JB.21	
1210/569ND		SKIN .....	1	—	MR	JB.21	
1810/5345		STIFFENER, "Z" section .....	1	—	MR	JB.21	
1210/653ND		WASHER .....	2	—	MR	JB.21	
		STRUCTURE ASSY, NOSEWHEEL (1810/2907A and 2907A/UN)					
		Spares for:—					
		1810/1559	ANGLE, port .....	1	—	MR	JB.18
		1810/1559/UN	ANGLE, port .....	1	—	MR	—
		1810/1560	ANGLE, starboard .....	1	—	MR	JB.18
		1810/1560/UN	ANGLE, starboard .....	1	—	MR	—
			ANGLE assy, port (1810/967A and 967A/UN)				
			ANGLE assy, starboard (1810/968A and 968A/UN)				
			Spares for:—				
		1810/1271ND	ANGLE, port .....	1	—	MR	JB.18
		1810/1272ND	ANGLE, starboard .....	1	—	MR	JB.18
28M/9435067		AGS.2008-C1	NUT, anchor .....	2	—	C	—
28M/9438461		A.141-D	NUT, anchor .....	2	—	C	—
		1810/835	ANGLE, rear .....	1	—	MR	JB.18
			BEAM assy, nose undercarriage structure 1810/473A and 473A/UN)				
			Spares for:—				
	1810/501	ANGLE .....	1	—	MR	JB.18	
	1810/511	ANGLE .....	1	—	MR	JB.18	
	1810/511/UN	ANGLE, port .....	1	—	MR	—	
	1810/512	ANGLE, starboard .....	1	—	MR	JB.18	
	1810/512/UN	ANGLE, support .....	1	—	MR	—	
	1810/481	ANGLE, inner, port .....	1	—	MR	JB.18	
	1810/482	ANGLE, inner, starboard .....	1	—	MR	JB.18	
	1810/483	ANGLE, outer, port .....	1	—	MR	JB.18	
	1810/484	ANGLE, outer, starboard .....	1	—	MR	JB.18	
	1810/4401A	ATTACHMENT, shear leg restraint .....	1	—	MR	JB.18	
9076	1810/2809A	BOLT assy .....	1	—	MR	JB.18	
	1810/2809A/UN	BOLT assy .....	1	—	MR	—	
9077	1810/2811A	BOLT assy .....	1	—	MR	JB.18	
	1810/2811A/UN	BOLT assy .....	1	—	MR	—	
	1810/3249A	BOLT assy .....	1	—	MR	JB.18	
	1810/3249A/UN	BOLT assy .....	1	—	MR	—	

## FUSELAGE

## FRONT PORTION

Issued with A.L. No. 12

REF. No.	PART NUMBER	DESCRIPTION	No. OFF	MATL. SPEC.	CL. OF ST.	PLATE No.
					M.R. L.M.	
		1 2 3 4 5				
	1810/3251A	BOLT assy	1	—	MR	JB.18
	1810/3251A/UN	BOLT assy	1	—	MR	—
	1810/169	BOOM, port	1	—	MR	JB.18
	1810/170	BOOM, starboard	1	—	MR	JB.18
	1810/785	BRACKET	2	—	MR	JB.18
	1810/173	BUSH	2	—	MR	JB.18
	1810/171	BUSH, screwed	2	—	MR	JB.18
	1810/485	DIAPHRAGM	1	—	MR	JB.18
	1810/487	DIAPHRAGM	1	—	MR	JB.18
	1810/489	DIAPHRAGM	1	—	MR	JB.18
	1810/491	DIAPHRAGM	1	—	MR	JB.18
	1810/493	DIAPHRAGM	1	—	MR	JB.18
	1810/509	DOUBLER, angle, port	1	—	MR	JB.18
	1810/509/UN	DOUBLER, angle, port	1	—	MR	—
	1810/510	DOUBLER, angle, starboard	1	—	MR	JB.18
	1810/510/UN	DOUBLER, angle, starboard	1	—	MR	—
	1845/2049/Sht. 2	MOUNTING, lever	1	—	MR	JB.18
	1845/2049/Sht.2/UN	MOUNTING, lever	1	—	MR	—
		Attachment parts for 1845/2049/Sht.2/UN:—				
28M/13121	A.27-CS	Nut	4	—	C	—
28M/9419539	A.103-DS	Nut	4	—	C	—
28P/1007741	SP.9-C8	Pin, split	4	—	C	—
28W/9419475	SP.15-C	Washer	4	—	C	—
28W/9457834	SP.124-D	Washer	4	—	C	—
	Aviation					
28FP/6	Developments A.411	PIN, pip	2	—	C	—
	1810/6105ND	PLATE	1	—	MR	JB.18
8816	1810/6951	PLATE, locking (Amendt. 630)	2	—	MR/C	JB.18
	1810/503	STRAP, cover	1	—	MR	JB.18
	1810/503/UN	STRAP, cover	1	—	MR	—
	1810/505/UN	STRAP, cover	1	—	MR	JB.18
	1810/507	STRAP, cover	1	—	MR	JB.18
	1810/507/UN	STRAP, top	1	—	MR	JB.18
	1810/495A	TROUGH assy, lever	1	—	MR	JB.18
	1810/475	WEB, side, port	1	—	MR	JB.18
	1810/477	WEB, side, starboard	1	—	MR	JB.18
	1810/2695	BRACKET, rear rudder bar adjustment	1	—	MR	JB.18
	1810/4755A	BRACKET assy, attachment, port (Pre-amendt. 260)	1	—	MR	—
	1810/6773A	BRACKET assy, attachment, port (Amendt. 260)	1	—	MR	—
	1810/4755A/UN	BRACKET assy, attachment, port (Pre-amendt. 260)	1	—	MR	—
	1810/6773A/UN	BRACKET assy, attachment, port (Amendt. 260)	1	—	MR	JB.18
	1810/4756A	BRACKET assy, attachment, starboard (Pre-amendt. 260)	1	—	MR	—
	1810/6774/A	BRACKET assy, attachment, starboard (Amendt. 260)	1	—	MR	—
	1810/4756A/UN	BRACKET assy, attachment, starboard (Pre-amendt. 260)	1	—	MR	—
	1810/6774A/UN	BRACKET assy, attachment, starboard (Amendt. 260)	1	—	MR	JB.18
		Spares for:—				
28M/9144673	AGS.2019-C1	NUT, anchor	1	—	C	—
28M/9438471	A.158-D	NUT, anchor	1	—	C	—
		Attachment parts for 1810/4755-6A and 4755-6A/UN:—				
28D/9133012	A.25-3C	Bolt	1	—	C	—
28DU/9419566	A.102-3D	Bolt	1	—	C	—
28D/9308	AS.1242-3C	Bolt	1	—	C	—
28DU/9480271	A.173-3D	Bolt	1	—	C	—
28M/10288	AGS.2001-C1	Nut	2	—	C	—
6956	FOS.40/4	Nut	2	—	MR/C	—
	1810/4771	Washer	2	—	MR	JB.18

## FUSELAGE

## FRONT PORTION

Issued with A.L. No. 12

REF. No.	PART NUMBER	DESCRIPTION	No. Off	MATL. SPEC.	CL. OF ST.	PLATE No.
					M.R. L.M.	
		1 2 3 4 5				
	1810/4757A	BRACKET assy, mounting, port . . . . .	1	--	MR	JB.18
	1810/4759A/1	BRACKET assy, mounting, starboard (Mod. 134) . . . . .	1	--	MR	JB.18
		BRACKET assy, mounting (1810/5133A and 5133A/UN) Spares for:--				
	1810/5133B	BRACKET, mounting . . . . .	1	--	MR	JB.18
28M/9435067 6963	AGS.2008-C1	NUT, anchor . . . . .	1	--	C	--
	FOS.41/4	NUT, anchor . . . . .	1	--	MR/C	--
		BRACKET assy, mounting (1810/5135A and 5135A/UN) Spares for:--				
	1810/5135B	BRACKET, mounting . . . . .	1	--	MR	JB.18
28M/9144673	AGS.2019-C1	NUT, anchor . . . . .	1	--	C	--
28M/9438471	A.158-D	NUT, anchor . . . . .	1	--	C	--
		BRACKET assy, mounting (1810/6137A and 5137A/UN) Spares for:--				
	1810/5137B	BRACKET, mounting . . . . .	1	--	MR	JB.18
28M/9144673	AGS.2019-C1	NUT, anchor . . . . .	1	--	C	--
28M/9438471	A.158-D	NUT, anchor . . . . .	1	--	C	--
	1810/5137B	BRACKET assy, mounting (Pre-mod. 217) . . . . .	1	--	MR	--
	1810/5413A	BRACKET assy, mounting (Mod. 217) . . . . .	1	--	MR	JB.18
	1810/6581	BRACKET assy, mounting, switch . . . . .	1	--	MR	JB.18
	1881/359A	Attachment parts for 1881/359A:--				
8112	Tucker Eyelet Co. AD.46R	Rivet, "Imex" . . . . .	A/R	--	C	--
	1810/367	CLEAT, port . . . . .	1	--	MR	JB.18
	1810/368	CLEAT, starboard . . . . .	1	--	MR	JB.18
	1810/369	CLEAT, port . . . . .	1	--	MR	JB.18
	1810/370	CLEAT, starboard . . . . .	1	--	MR	JB.18
	1810/375	CLEAT, port . . . . .	1	--	MR	JB.18
	1810/377	CLEAT, starboard . . . . .	1	--	MR	JB.18
	1810/379	CLEAT, port . . . . .	1	--	MR	JB.18
	1810/381	CLEAT, starboard . . . . .	1	--	MR	JB.18
6866	FOS.14/2	CLEAT . . . . .	3	--	MR/C	--
		FAIRING assy, nosewheel, port (1810/351A and 351A/UN)				
		FAIRING assy, nosewheel, starboard (1810/352A and 352A/UN) Spares for:--				
	1810/733	CLEAT, port . . . . .	1	--	MR	JB.18
	1810/734	CLEAT, starboard . . . . .	1	--	MR	JB.18
	1810/735	CLEAT, port . . . . .	1	--	MR	JB.18
	1810/736	CLEAT, starboard . . . . .	1	--	MR	JB.18
	1810/1485	DOUBLER . . . . .	1	--	MR	JB.18
	1810/359	DOUBLER, angle . . . . .	2	--	MR	JB.18
	1810/359/UN	DOUBLER, angle . . . . .	2	--	MR	JB.18
	1810/347	PRESSING, port . . . . .	1	--	MR	JB.18
	1810/348	PRESSING, starboard . . . . .	1	--	MR	JB.18
	1810/357	STIFFENER, port (Pre-mod. 596) . . . . .	1	--	MR	--
	1810/7011	STIFFENER, port (Mod. 596) . . . . .	1	--	MR	JB.18
	1810/358	STIFFENER, starboard (Pre-mod. 596) . . . . .	1	--	MR	--
	1810/7012	STIFFENER, starboard (Mod. 596) . . . . .	1	--	MR	JB.18

RESTRICTED

GNAT T. Mk. 1

FUSELAGE  
FRONT PORTION

Issued with A.L. No. 16

REF. No.	PART NUMBER	DESCRIPTION	No. OFF	MATL. SPEC.	CL. OF ST.	PLATE No.
					M.R. L.M.	
		1 2 3 4 5				
	1810/397	STIFFENER, starboard .....	1	—	MR	JB.18
	1810/405	STIFFENER, port .....	1	—	MR	JB.18
	1810/413	STIFFENER, port .....	1	—	MR	JB.18
	1810/389	STIFFENER, starboard .....	1	—	MR	JB.18
		STIFFENER assy, port (1810/1207AND) Spares for:—				
	1810/353	STIFFENER (Pre-mod. 596) .....	1	—	MR	
	1810/7007	STIFFENER (Mod. 596) .....	1	—	MR	JB.18
	1810/793	STRIP, reinforcing (Pre-mod. 596) .....	1	—	MR	
	1810/7013	STRIP, reinforcing (Mod. 596) .....	1	—	MR	JB.18
		STIFFENER assy, starboard (1810/1205AND) Spares for:—				
	1810/354	STIFFENER (Pre-mod. 596) .....	1	—	MR	
	1810/7008	STIFFENER (Mod. 596) .....	1	—	MR	JB.18
	1810/794	STRIP, reinforcing (Pre-mod. 596) .....	1	—	MR	
	1810/7014	STRIP, reinforcing (Mod. 596) .....	1	—	MR	JB.18
		STIFFENER assy, port (1810/1211AND) Spares for:—				
	1810/1541	STIFFENER (Pre-mod. 596) .....	1	—	MR	
	1810/7009	STIFFENER (Mod. 596) .....	1	—	MR	JB.18
	1810/795	STRIP, reinforcing (Pre-mod. 596) .....	1	—	MR	JB.18
		STIFFENER assy, starboard (1810/1209AND) Spares for:—				
	1810/1542	STIFFENER (Pre-mod. 596) .....	1	—	MR	
	1810/7010	STIFFENER (Mod. 596) .....	1	—	MR	JB.18
	1810/796	STRIP, reinforcing (Pre-mod. 596) .....	1	—	MR	JB.18
	1810/1729	WASHER, throat, port (Pre-mod. 596) .....	1	—	MR	
	1810/7015	WASHER, throat, port (Mod. 596) .....	1	—	MR	JB.18
	1810/1730	WASHER, throat, starboard (Pre-mod. 596) .....	1	—	MR	
	1810/7016	WASHER, throat, starboard (Mod. 596) .....	1	—	MR	JB.18
	1810/1265	MEMBER assy, rear, outer portion, port .....	1	—	MR	JB.18
	1810/1266	MEMBER assy, rear, outer portion, starboard .....	1	—	MR	JB.18
	1810/181	MEMBER, wheelwell .....	1	—	MR	JB.18
	1810/182	MEMBER, wheelwell .....	1	—	MR	JB.18
		Attachment parts for 1810/181-2:—				
8112	Tucker Eyelet Co. AD.46R	Rivet, "Imex" .....	A/R	—	C	
6837	FOS.2-20C	PACKING .....	1	—	MR/C	
	1810/973	PACKING, tapered .....	1	—	MR	JB.18
	1810/3295	SHIM, nose u/c mounting .....	4	—	MR	JB.18
	1810/6775	SHIM (Amendt. 260A) .....	2	—	MR	JB.18
		STRUCTURE ASSY, SIDE, COCKPIT, FORWARD, PORT (1810/11A and 11A/UN)				
		STRUCTURE ASSY, SIDE, COCKPIT, FORWARD, STARBOARD (1810/12A and 12A/UN)				
		Spares for:—				
	1810/6489	ANGLE, attachment (Mod. 75) (Pre-mod. 679) .....	1	—	MR	
	1810/3779A/1	ANGLE, port (Mod. 428) .....	1	—	MR	JB.33
		Spares for:—				
6963	FOS.41/4	NUT, anchor .....	1	—	C	
	1810/655	ANGLE, attachment, coaming, port .....	1	—	MR	
	1810/656	ANGLE, attachment, coaming, starboard .....	1	—	MR	JB.33
	1810/657	ANGLE, attachment, coaming, port .....	1	—	MR	JB.33
	1810/658	ANGLE, attachment, coaming, starboard .....	1	—	MR	JB.33
	1810/2015	ANGLE, stiffening, starboard (Pre-mod. 679) .....	1	—	MR	
	1810/7029	ANGLE, stiffening, starboard (Mod. 679) .....	1	—	—	JB.33
	1810/3695	BEARER, aft, stringer 4-5, starboard (Pre-mod. 679) .....	1	—	MR	
	1810/7027A	BEARER, aft, stringers 4-5, starboard (Mod. 679) .....	1	—	—	JB.33

RESTRICTED

## FUSELAGE

## FRONT PORTION

Issued with A.L. No. 16

REF. No.	PART NUMBER	DESCRIPTION	No. OFF	MATL. SPEC.	CL. OF ST.	PLATE No.	
					M.R. L.M.		
		1 2 3 4 5					
	1810/3693	BEARER, forward, stringer 4-5, starboard . . . . . (Pre-mod. 679)	1	—	MR		
	1810/7025	BEARER, forward, stringers 4-5, starboard . . . . . (Mod. 679)	1	—	—	JB.33	
8205	1810/7043A	BRACKET, mounting (Mod. 679) . . . . .	1	—	MR	JB.33	
	1810/6557A	BRACKET, pipe (Mod. 222) . . . . .	1	—	MR/C	JB.33	
	1810/3031A	BRACKET assy, starboard . . . . .	1	—	MR	JB.33	
	1810/3031A/UN	BRACKET assy, starboard . . . . .	1	—	MR		
		Spares for:—					
28M/11957 6963	AGS.2007-C1	NUT, anchor . . . . .	2	—	C		
	FOS.41/4	NUT, anchor . . . . .	2	—	MR/C		
	1810/4839A	BRACKET assy, mounting, dimmer box, starboard . . . . .	2	—	MR	JB.33	
	1810/4839A/UN	BRACKET assy, mounting, dimmer box, starboard . . . . .	2	—	MR		
		Spares for:—					
28M/9434251 6961	AGS.2008-B1	NUT, anchor . . . . .	1	—	C		
	FOS.41/2	NUT, anchor . . . . .	1	—	MR/C		
	1810/3775A/1	CHANNEL, port (Mod. 428) . . . . .	1	—	MR	JB.33	
		Spares for:—					
6963	FOS.41/4	NUT, anchor . . . . .	1	—	C		
	1810/2105	CLEAT, port . . . . .	1	—	MR	JB.33	
	1810/2221	CLEAT, starboard . . . . .	1	—	MR		
	1810/3883	CLEAT, port . . . . .	1	—	MR	JB.33	
	1810/3884	CLEAT, starboard . . . . .	1	—	MR	JB.33	
	1810/3885	CLEAT, port . . . . .	1	—	MR	JB.33	
	1810/3886	CLEAT, starboard . . . . .	2	—	MR	JB.33	
	1810/3887	CLEAT, port . . . . .	2	—	MR	JB.33	
	1810/3888	CLEAT, starboard . . . . .	2	—	MR	JB.33	
	‡6867	FOS.8/3	CLEAT . . . . .	1	—	MR/C	
	6866	FOS.14/2	CLEAT . . . . .	2	—	MR/C	
	6867	FOS.14/3	CLEAT . . . . .	1	—	MR/C	
	‡6932	FOS.23/1	CLEAT assy . . . . .	8	—	MR/C	
	‡7014	FOS.54/1	CLEAT assy . . . . .	8	—	MR/C	
5311	1881/811A	CLEAT assy, saddle . . . . .	1	—	MR/C	JB.31	
		Attachment parts for 1881/811A:—					
28DU/9436920	A.25-1C	Bolt . . . . .	2	—	C		
28DU/9419565	A.102-1D	Bolt . . . . .	2	—	C		
28M/10328	AGS.2002-C1	Nut . . . . .	2	—	C		
6956	FOS.40/4	Nut . . . . .	2	—	MR/C		
28W/9419475	SP.15-C	Washer . . . . .	2	—	C		
28W/9457834	SP.124-D	Washer . . . . .	2	—	C		
		DIAPHRAGM assy, front coaming (1810/3777A . . . . . and 3777A/UN)					
		Spares for:—					
	1810/3777B	DIAPHRAGM . . . . .	1	—	MR		
	1810/3777B/UN	DIAPHRAGM . . . . .	1	—	MR		
28M/11957	AGS.2007-C1	NUT, anchor . . . . .	5	—	C		
28M/9438446	A.136-D	NUT, anchor . . . . .	5	—	C		
6834	FOS.2/18C	PACKING . . . . .	5	—	MR/C		
6835	FOS.2/18W	PACKING . . . . .	5	—	MR/C		
6778	1810/5141A	FITTING assy, hinge, frame 4, port . . . . .	1	—	MR/C	JB.33	
6779	1810/5141A/UN	FITTING assy, hinge, frame 4, port . . . . .	1	—	MR/C		
6780	1810/5142A	FITTING assy, hinge, frame 4, starboard . . . . .	1	—	MR/C	JB.33	
6781	1810/5142A/UN	FITTING assy, hinge, frame 4, starboard . . . . .	1	—	MR/C		
		Spares for:—					
3161	1810/3425	BUSH . . . . .	2	—	MR/C	JB.33	
		Attachment parts for 1810/5 141-2A and 5141-2A/UN					
28D/9133012	A.25-3C	Bolt . . . . .	4	—	C		
28DU/9419566	A.102-3D	Bolt . . . . .	4	—	C		
28M/9403520	A.27-CP	Nut . . . . .	4	—	C		

FUSELAGE  
FRONT PORTION

Issued with A.L. No. 16

REF. No.	PART NUMBER	DESCRIPTION	No. OFF	MATL. SPEC.	CL. OF ST.	PLATE No.
					M.R. L.M.	
		1	2	3	4	5
28M/9419538	A.103-DP	Nut .....	4	—	C	
28W/9419475	SP.15-C	Washer .....	4	—	C	
28W/9437834	SP.124-D	Washer .....	4	—	C	
	1810/4017	FITTING, attachment, coaming, port .....	1	—	MR	JB.33
	1810/4018	FITTING, attachment, coaming, starboard .....	1	—	MR	JB.33
		Attachment parts for 1810/4017-8:—				
28D/9133012	A.25-3C	Bolt .....	2	—	C	
28DU/9419566	A.102-3D	Bolt .....	2	—	—	
28M/9403520	A.27-CP	Nut .....	2	—	C	
28M/9419538	A.103-DP	Nut .....	2	—	C	
28W/9419475	SP.15-C	Washer .....	2	—	C	
28W/9457834	SP.124-D	Washer .....	2	—	C	
	1810/5143	FITTING, hinge, aft, frame 4, port .....	1	—	MR	JB.33
	1810/5143/UN	FITTING, hinge, aft, frame 4, port .....	1	—	MR	
	1810/5144	FITTING, hinge, aft, frame 4, starboard .....	1	—	MR	JB.33
	1810/5144/UN	FITTING, hinge, aft, frame 4, starboard .....	1	—	MR	
		Attachment parts for 1810/5143-4 and 5143-4/UN:—				
28D/9133012	A.25-3C	Bolt .....	4	—	C	
28DU/9419566	xa.102-3D	Bolt .....	4	—	C	
28M/9403520	A.27-CP	Nut .....	4	—	C	
28M/9419538	A.103-DP	Nut .....	4	—	C	
28W/9419475	SP.15-C	Washer .....	4	—	C	
28W/17544	SP.124-D	Washer .....	4	—	C	
		FRAME 5 assy, side portion, port (1810/4985A and 4985A/UN)				
		FRAME 5 assy, side, portion, starboard (1810/4986A and 4986A/UN)				
		Spares for:—				
	1810/3077	CLEAT .....	1	—	MR	JB.9
	1810/4993	CLEAT, stringer, port .....	1	—	MR	JB.9
	1810/4994	CLEAT, stringer, starboard .....	1	—	MR	JB.9
	1810/227	DOUBLER, aft, port .....	1	—	MR	JB.9
	1810/229	DOUBLER, forward, starboard .....	1	—	MR	JB.9
	1810/4995	DOUBLER, aft, starboard .....	1	—	MR	JB.9
	1810/5085	DOUBLER, forward, port .....	1	—	MR	JB.9
	1810/4987	MEMBER, side, forward, port (Pre-mod. 222) .....	1	—	MR	
	1810/4987/1	MEMBER, side, forward, port (Mod. 222) .....	1	—	MR	JB.9
	1810/4989	MEMBER, side, forward, starboard .....	1	—	MR	JB.9
	1810/4991	MEMBER, side, port, aft (Pre-mod. 222) .....	1	—	MR	JB.9
	1810/4991/1	MEMBER, side, port, aft (Mod. 222) .....	1	—	MR	JB.9
	1810/4992	MEMBER, side, starboard, aft .....	1	—	MR	JB.9
	1810/131	STRAP, port .....	1	—	MR	JB.9
	1810/132	STRAP, starboard .....	1	—	MR	JB.9
		FRAME 5A assy (1810/5151A and 5151A/UN)				
		Spares for:—				
	1810/599	ANGLE, reinforcing, starboard .....	1	—	MR	JB.9
	1810/601	ANGLE, reinforcing, port .....	1	—	MR	JB.9
	1810/715	BRACKET .....	1	—	MR	JB.9
	1810/5573	BRACKET, mounting, port .....	1	—	MR	JB.9
	1810/5574	BRACKET, mounting, starboard .....	1	—	MR	JB.9
	1810/5575	BRACKET, mounting, port .....	1	—	MR	JB.9
	1810/5576	BRACKET, mounting, starboard .....	1	—	MR	JB.9
	1810/5565	BRACKET, mounting .....	1	—	MR	JB.9
	1810/737	CLEAT .....	1	—	MR	

## FUSELAGE

## FRONT PORTION

Issued with A.L. No. 13

REF. No.	PART NUMBER	DESCRIPTION	No. Off	MATL. SPEC.	CL. OF ST.	PLATE No.
					M.R. L.M.	
	1810/738	CLEAT .....	1	—	MR	—
	1810/3885	CLEAT .....	1	—	MR	JB.9
	1810/3886	CLEAT .....	1	—	MR	JB.9
	1814/229	CLEAT .....	1	—	MR	JB.9
6868	FOS.8/4	CLEAT .....	1	—	MR/C	—
6866	FOS.14/2	CLEAT (Pre-mod. 679) .....	2	—	MR/C	—
6872	FOS.16	CLEAT (Mod. 679) .....	2	—	MR/C	—
5312	1810/609	GASKET .....	1	—	MR/C	—
28M/9434251	AGS.2008-B1	NUT, anchor .....	23	—	C	—
6961	FOS.41/2	NUT, anchor .....	23	—	MR/C	—
28M/945067	AGS.2008-C1	NUT, anchor .....	25	—	C	—
6963	FOS.41/4	NUT, anchor .....	25	—	MR/C	—
5313	1810/607	PLATE, cover .....	1	—	MR/C	JB.9
		Attachment parts for 1810/607:—				
28D/1007982	AS.1248-1C	Bolt .....	23	—	C	—
28DU/9419534	A.113-1D	Bolt .....	23	—	C	—
	1810/5173	STIFFENER, port .....	1	—	MR	JB.9
	1810/5174	STIFFENER, starboard .....	1	—	MR	JB.9
	1810/605A	STIFFENER assy .....	1	—	MR	JB.9
1045	1875/45	UNION, bulkhead .....	1	—	MR/C	JB.9
28F/11852	AGS.1111A	UNION, bulkhead .....	2	—	C	—
		FRAME 6 assy, side portion, port (1810/5149A and 5149A/UN)				
		FRAME 6 assy, side portion, starboard (1810/5150A and 5150A/UN)				
		Spares for:—				
		ANGLE assy (1810/6939A and 6939A/UN) (Mod. 399)				
		Spares for:—				
—	1810/6939B	ANGLE (Mod. 399) .....	1	—	MR	JB.9
28M/9435067	AGS.2008-C1	NUT, anchor .....	2	—	C	—
6963	FOS.41/4	NUT, anchor .....	2	—	C	—
	1810/5227	ANGLE, attachment .....	1	—	MR	JB.9
	1810/5228	ANGLE, attachment .....	1	—	MR	JB.9
	1810/4843	BRACKET assy, mounting, starboard .....	1	—	MR	JB.9
	1810/4843A/UN	BRACKET assy, mounting, starboard .....	1	—	MR	—
	1810/115	CLEAT, stringer 3, port .....	2	—	MR	JB.9
	1810/116	CLEAT, stringer 3, starboard .....	1	—	MR	JB.9
	1810/117	CLEAT, stringer 4, port .....	2	—	MR	JB.9
	1810/118	CLEAT, stringer 4, starboard .....	1	—	MR	JB.9
	1810/3865	CLEAT .....	1	—	MR	JB.9
6865	FOS.14/1	CLEAT .....	4	—	MR	—
	1810/6569	CLEAT (Mod. 299) .....	1	—	MR	—
	1810/6571	CLEAT (Mod. 299) .....	2	—	MR	—
	1810/6623	CLEAT (Mod. 299) .....	1	—	MR	—
	1810/127	DOUBLER, port .....	1	—	MR	JB.9
	1810/128	DOUBLER, starboard .....	1	—	MR	JB.9
6869	FOS.25/1	PLATE, mounting (15th-24th A/C only) .....	1	—	MR/C	—
	1810/125	STRAP, reinforcing, port (15th-24th A/C only) .....	1	—	MR	JB.9
	1810/126	STRAP, reinforcing, starboard .....	1	—	MR	JB.9
	1810/6219	WEB, side, aft, port (Pre-mod. 222) .....	1	—	MR	—
	1810/6219/1	WEB, side, aft, port (Mod. 222) .....	1	—	MR	JB.9

## FUSELAGE

## FRONT PORTION

Issued with A.L. No. 13

REF. No.	PART NUMBER	DESCRIPTION	No. OFF	MATL. SPEC.	CL. OF ST.	PLATE No.
					M.R. L.M.	
		1 2 3 4 5				
	1810/5220	WEB, side, aft, starboard .....	1	-	MR	JB.9
	1810/5221	WEB, side, forward, port (Pre-mod. 222) .....	1	-	MR	
	1810/5221/1	WEB, side, forward, port (Mod. 222) .....	1	-	MR	JB.9
	1810/5222	WEB, side, forward, starboard .....	1	-	MR	JB.9
		FRAME 7 assy, side portion, port (1810/5797A and 5797A/UN)				
		FRAME 7 assy, side portion, starboard (1810/5799A and 5799A/UN)				
		Spares for:-				
	1810/5503	ANGLE, starboard (Pre-mod. 679) .....	1	-	MR	JB.10
		BEARER assy, port (1810/4735A and 4735A/UN)	-	-		
		Spares for:-				
	1810/4735B	BEARER .....	1	-	MR	JB.10
		BRACKET assy (1810/4663A and 4663A/UN)	-	-		
		Spares for:-				
	1810/4663B	BRACKET .....	1	-	MR	JB.10
28M/9438471	A.158-D	NUT, anchor .....	2	-	C	-
28M/9144673	AGS.2019-C1	NUT, anchor .....	2	-	C	-
28M/9438471	A.158-D	NUT, anchor .....	1	-	C	-
6963	FOS.51/4	NUT, anchor .....	1	-	MR/C	-
	1810/5501	BRACKET, starboard .....	1	-	MR	-
	1815/665	BRACKET, attachment, lever, canopy .....	1	-	MR	JB.10
	1810/3079A	BRACKET assy, control lock bar, port .....	1	-	MR	JB.10
	1810/3080A	BRACKET assy, control lock bar, starboard .....	1	-	MR	JB.10
	1810/4841A/UN	BRACKET assy, mounting, dimmer box .....	1	-	MR	JB.10
		Spares for:-				
28M/943871	A.158-D	NUT, anchor .....	1	-	C	-
	1815/1461A	CASTING assy, catch, canopy, port .....	1	-	MR	JB.10
		Spares for:-				
28N/5805489	AS.6733-2	INSERT, wire thread .....	1	-	C	-
	1815/1463A	CASTING assy, catch, canopy, starboard .....	1	-	MR	JB.10
	1815/1463A/UN	CASTING assy, catch, canopy, starboard .....	1	-	MR	
		Spares for:-				
28N/5805489	AS.6733-2	INSERT, wire thread .....	1	-	C	-
		Attachment parts for 1815/1461A and 1463A/UN:-				
28D/12542	A.25-5E	Bolt .....	1	-	C	-
28DU/9414344	A.102-5E	Bolt .....	1	-	C	-
28M/12928	A.27-EP	Nut .....	1	-	C	-
28M/9414136	A.103-EP	Nut .....	1	-	C	-
28W/9419405	SP.15-E	Washer .....	1	-	C	-
28W/17427	SP.124-E	Washer .....	1	-	C	-
	1810/5809	CHANNEL, inner, port .....	1	-	MR	JB.10
		Attachment parts for 1810/5809:-				
8112	Tucker Eyelet Co. AD.46R	Rivet, "Imex" .....	A/R	-	C	-
	1810/5813	CHANNEL, inner, starboard .....	1	-	MR	JB.10
		Attachment parts for 1810/5813:-				
8112	Tucker Eyelet Co. AD.46R	Rivet, "Imex" .....	A/R	-	C	-
	1810/5811	CHANNEL, outer, port .....	1	-	MR	JB.10

FUSELAGE  
FRONT PORTION

Issued with A.L. No. 8

		Attachment parts for 1810/5811 :—							
8112	Tucker Eyelet Co. AD.46R	Rivet, "Imex" ... ..	A/R	—	C	—			
	1810:5815	CHANNEL, outer, starboard ... ..	1	—	MR	JB.10			
		Attachment parts for 1810:5815 :—							
8112	Tucker Eyelet Co. AD.46R	Rivet, "Imex" ... ..	A/R	—	C	—			
	1810:3685	CHANNEL, reinforcing ... ..	2	—	MR	JB.10			
	1810:737	CLEAT ... ..	4	—	MR	JB.10			
	1810:738	CLEAT ... ..	3	—	MR	JB.10			
		Attachment parts for 1810.737-8 :—							
8112	Tucker Eyelet Co. AD.46R	Rivet, "Imex" ... ..	A/R	—	C	—			
	1810:957	CLEAT, port ... ..	2	—	MR	JB.10			
	1810:958	CLEAT, starboard ... ..	2	—	MR	JB.10			
	1810:2297	CLEAT, starboard ... ..	1	—	MR	JB.10			
	1810 4653	CLEAT, starboard ... ..	1	—	MR	JB.10			
‡ 6857	FOS.8;3	CLEAT ... ..	1	—	MR/C	—			
6866	FOS.14/2	CLEAT ... ..	1	—	MR/C	—			
		Attachment parts for FOS.14/2 :—							
8111	Tucker Eyelet Co. AD.44R	Rivet, "Imex" ... ..	A/R	—	C	—			
	1810 951	DOUBLER, port ... ..	1	—	MR	JB.10			
	1810:952	DOUBLER, starboard ... ..	1	—	MR	JB.10			
	1810:3721	DOUBLER, port ... ..	1	—	MR	JB.10			
	1810:3722	DOUBLER, starboard ... ..	1	—	MR	JB.10			
	1810:953	DOUBLER, channel ... ..	2	—	MR	JB.10			
	1810:5665A	GATE sub-assy, frame 7, port ... ..	1	—	MR	JB.10			
	1810 5667A	GATE sub-assy, frame 7, starboard ... ..	1	—	MR	JB.10			
		Attachment parts for 1810:5665-7A :—							
28DU/9419975	A.102-15D	Bolt ... ..	6	—	C	—			
28M/9419538	A.103-DP	Nut ... ..	6	—	C	—			
	AS.2809-4-1.06	Tube, distance ... ..	4	—	MR/LM	—			
	AS.2811-5-1.17	Tube, distance ... ..	2	—	MR/LM	—			
28VV/9419404	SP.124-C	Washer ... ..	6	—	C	—			
	1883 749	LABEL, port ... ..	1	—	MR	JB.10			
5315	1810.1855	PAD, bearing, port ... ..	1	—	MR/C	JB.10			
		Attachment parts for 1810:1855 :—							
28D/9133012	A.25-3C	Bolt ... ..	2	—	C	—			
28DU/9419566	A.102-1D	Bolt ... ..	2	—	C	—			
28M/9403520	A.27-CP	Nut ... ..	2	—	C	—			
28M/9419538	A.103-DP	Nut ... ..	2	—	C	—			
28W/9419475	SP.15-C	Washer ... ..	2	—	C	—			
28W/9457834	SP.124-D	Washer ... ..	2	—	C	—			
	1810:5803	PLATE, side, aft, port ... ..	1	—	MR	JB.10			
		Attachment parts for 1810:5803 :—							
8112	Tucker Eyelet Co. AD.46R	Rivet, "Imex" ... ..	A/R	—	C	—			

FUSELAGE  
FRONT PORTION

Issued with A.L. No. 8

	1810 5807	PLATE, side, aft, starboard ... .. 1	—	MR	JB.10	
		Attachment parts for 1810 5807 :—				
8112	Tucker Eyelet Co. AD.46R	Rivet, " Imex " ... .. A/R	—	C	—	
	1810/5801	PLATE, side forward, port ... .. 1	—	MR	JB.10	
		Attachment parts for 1810 5801 :—				
8112	Tucker Eyelet Co. AD.46R	Rivet, " Imex " ... .. A/R	—	C	—	
	1810 5805	PLATE, side, forward, starboard ... .. 1	—	MR	JB.10	
		Attachment parts for 1810 5805 :—				
8112	Tucker Eyelet Co. AD.46R	Rivet, " Imex " ... .. A/R	—	C	—	
	1810 3687	STRIP, reinforcing ... .. 1	—	MR	JB.10	
	1810/947	SUB-FRAME, port ... .. 1	—	MR	JB.10	
	1810/948	SUB-FRAME, starboard ... .. 1	—	MR	JB.10	
	1810/3667	WEB, aft, port ... .. 1	—	MR	JB.10	
	1810/3667/UN	WEB, aft, port ... .. 1	—	MR	—	
	1810/3668	WEB, aft, starboard ... .. 1	—	MR	JB.10	
	1810/3668/UN	WEB, aft, starboard ... .. 1	—	MR	—	
	1810 3689	WEB, forward, port ... .. 1	—	MR	JB.10	
	1810/3690	WEB, forward, starboard ... .. 1	—	MR	JB.10	
	1810/3781	MEMBER, hinge, port ... .. 1	—	MR	JB.33	
	1810/3782	MEMBER, hinge, starboard ... .. 1	—	MR	JB.33	
28M/11957	AGS.2007-C1	NUT, anchor ... .. 1	—	C	—	
6963	FOS.41/4	NUT, anchor ... .. 1	—	MR:C	—	
28M/9435067	AGS.2008-C1	NUT, anchor ... .. 3	—	C	—	
28M/9438453	A.137-D	NUT, anchor ... .. 3	—	C	—	
	1810/4437	STRINGER 2, frame 4-5A, port ... .. 1	—	MR	JB.36	
	1810/4438	STRINGER 2, frame 4-5A, starboard ... .. 1	—	MR	JB.36	
	1810/635	STRINGER 2, frame 5A-5, port ... .. 1	—	MR	JB.36	
	1810/636	STRINGER 2, frame 5A-5, starboard ... .. 1	—	MR	JB.36	
	1810/5325	STRINGER 3, frame 4-6, port ... .. 1	—	MR	JB.36	
	1810/5326	STRINGER 3, frame 4-6, starboard ... .. 1	—	MR	JB.36	
	1810-639	STRINGER 3, frame 6-7, port ... .. 1	—	MR	JB.36	
	1810/640	STRINGER 3, frame 6-7, starboard ... .. 1	—	MR	JB.36	
	1810/641	STRINGER 3, frame 7-8, port ... .. 1	—	MR	JB.36	
	1810/642	STRINGER 3, frame 7-8, starboard ... .. 1	—	MR	JB.36	
	1810/1689	STRINGER 3, sloping bulkhead to frame 9 starboard	1	—	MR	JB.36
	1810/1690	STRINGER 3, sloping bulkhead to frame 9 starboard	1	—	MR	JB.36
	1810/3385	STRINGER 4, frame 5A-5, port ... .. 1	—	MR	JB.36	
	1810/3386	STRINGER 4, frame 5A-5, starboard ... .. 1	—	MR	JB.36	
	1810/645	STRINGER 4, frame 6-7, port ... .. 1	—	MR	JB.36	
	1810/646	STRINGER 4, frame 6-7, starboard ... .. 1	—	MR	JB.36	
	1810/647	STRINGER 4, frame 7, sloping bulkhead port ... .. 1	—	MR	JB.36	
	1810/648	STRINGER 4, frame 7, sloping bulkhead starboard	1	—	MR	JB.36
	1810/1691	STRINGER 4, sloping bulkhead, frame 9, port ... .. 1	—	MR	JB.36	
	1810/1692	STRINGER 4, sloping bulkhead, frame 9, starboard	1	—	MR	JB.36
	1810/649	STRINGER 5, frame 4-6, port ... .. 1	—	MR	JB.36	
	1810/650	STRINGER 5, frame 4-6, starboard ... .. 1	—	MR	JB.36	
	1810/651	STRINGER 5, frame 6-7, port ... .. 1	—	MR	JB.36	
	1810/652	STRINGER 5, frame 6-7, starboard ... .. 1	—	MR	JB.36	
	1810/653	STRINGER 5, frame 7, to sloping bulkhead port...	1	—	MR	JB.36
	1810/654	STRINGER 5, frame 7, to sloping bulkhead starboard	1	—	MR	JB.36

## FUSELAGE

## FRONT PORTION

Issued with A.L. No. 12

REF. No.	PART NUMBER	DESCRIPTION	No. OFF	MATL. SPEC.	CL. OF ST.	PLATE No.
					M.R. L.M.	
		1 2 3 4 5				
	1810/1693	STRINGER 5, sloping bulkhead—frame 9, starboard	1	—	MR	JB.36
	1810/1694	STRINGER 5, sloping bulkhead—frame 9, port	1	—	MR	JB.36
	1810/6213A	STRUT assy (Mod. 84)	2	—	MR	JB.22
		Attachment parts for 1810/6213A:—				
28D/1011238	A.25-3E	Bolt	2	—	C	—
28DU/9414342	A.102-3E	Bolt	3	—	C	—
28M/10290	AGS.2001-E1	Nut	2	—	C	—
28M/9438423	A.125-E	Nut	2	—	C	—
	AGS.2806-5-038	Tube, distance	2	—	LM/MR	—
28W/9419405	SP.15-E	Washer	3	—	C	—
28W/17427	SP.124-E	Washer	2	—	C	—
1483739	1810/7003A	TUBE assy, guide (Mod. 511)	1	—	C	JB.22
8544	1810/6717ND	TUBE, rubber, port (Mod. 324)	1	—	MR/C	JB.14
8543	1810/6735ND	TUBE, rubber, starboard (Mod. 324)	1	—	MR/C	JB.41
		Attachment parts for 1810/6717ND and 6735ND:—				
28E/3322	AGS.606E	Clip, hose	4	—	C	—
‡133	1815/1535A/1	WINDSCREEN ASSY (Mod. 162)	1	—	MR/A	JB.11
1443972	1815/1535A/2	WINDSCREEN ASSY (Mod. 674)	1	—	MR/A	—
‡134	1815/1535A/UN/1	WINDSCREEN ASSY (Mod. 162) (Pre-mod. 525)	1	—	MR/A	—
1443973	1815/1535A/UN/2	WINDSCREEN ASSY (Mod. 674)	1	—	MR/A	—
		Spares for:—				
	1815/1433A	BRACKET assy, venting stop	1	—	MR	JB.11
6811	1815/1661A	CATCH assy	1	—	MR/C	JB.11
		Attachment parts for 1815/1661A:—				
28D/12131	AS.1248-10B	Bolt	1	—	C	—
28DU/9419604	A.113-9B	Bolt	1	—	C	—
28M/1006504	A.27-BT	Nut	1	—	C	—
28M/9419548	A.103-BT	Nut	1	—	C	—
28W/9419486	SP.16-B	Washer	1	—	C	—
28W/17549	SP.125-B	Washer	1	—	C	—
	1815/81	MEMBER, seal attachment	1	—	MR	JB.11
	1815/1535N	MEMBER, "Z", inner, L.H.	1	—	MR	JB.11
	1815/1535N/UN	MEMBER, "Z", inner, L.H.	1	—	MR	—
	1815/1536N	MEMBER, "Z", inner, R.H.	1	—	MR	JB.11
	1815/1536/UN	MEMBER, "Z", inner, R.H.	1	—	MR	—
	1815/1535R	MEMBER, "Z", inner, R.H.	1	—	MR	JB.11
	1815/1535R/UN	MEMBER, "Z", inner, buttstrap	1	—	MR	—
	1815/1536R	MEMBER, "Z", inner, buttstrap	1	—	MR	JB.11
	1815/1536R/UN	MEMBER, "Z", inner, buttstrap	1	—	MR	—
	1815/1535P	MEMBER, "Z", inner, front	1	—	MR	JB.11
	1815/1535P/UN	MEMBER, "Z", inner, front	1	—	MR	JB.11
	1815/1535M	MEMBER, "Z", outer, L.H.	1	—	MR	JB.11
	1815/1535M/UN	MEMBER, "Z", outer, L.H.	1	—	MR	—
	1815/1536M	MEMBER, "Z", outer, R.H.	1	—	MR	JB.11
	1815/1536N/UN	MEMBER, "Z", outer, R.H.	1	—	MR	—
	1815/1535S	MEMBER, "Z", outer, buttstrap	1	—	MR	JB.11
	1815/1535S/UN	MEMBER, "Z", outer, buttstrap	1	—	MR	—
	1815/1536S	MEMBER, "Z", outer, buttstrap	1	—	MR	JB.11
	1815/1536S/UN	MEMBER, "Z", outer, buttstrap	1	—	MR	—
	1815/1535/O	MEMBER, "Z", outer, front	1	—	MR	JB.11
	1815/1535/O/UN	MEMBER, "Z", outer, front	1	—	MR	—
	1815/1535Y	MEMBER, "Z"	1	—	MR	—
1483658	1815/2183A	MEMBER sub-assy, rear view (Mod. 578) (S.O.O.)	2	—	B	JB.11
28M/9435067	AGS.2008-C1	NUT, anchor	90	—	C	—
6936	FOS.40/4	NUT, anchor	90	—	MR/C	—
28M/9453966	AGS.2008-C3	NUT, anchor	90	—	MR/C	—
7389	FOS.47/4	NUT, anchor	17	—	C	—
28M/9144673	AGS.2019-C1	NUT, anchor	8	—	C	—
6969	FOS.43/3	NUT, anchor	8	—	MR/C	—
	1815/1561A	PLATE assy, nut, L.H.	1	—	MR	JB.11
	1815/1561A/UN	PLATE assy, nut, L.H.	1	—	MR	—
	1815/1562A	PLATE assy, nut, R.H.	1	—	MR	JB.11

FUSELAGE  
FRONT PORTION

Issued with A.L. No. 12

REF. No.	PART NUMBER	DESCRIPTION	No. OFF	MATL. SPEC.	CL. OF ST.	PLATE No.
					M.R. L.M.	
		1 2 3 4 5				
	1815/1562A/UN	PLATE assy, nut, R.H. ....	1	—	MR	—
		Spares for:—				
28M/9403519	A.27-BP	NUT .....	1	—	C	—
28M/9419538	A.103-BP	NUT .....	1	—	C	—
28M/9403520	A.27-CP	NUT .....	2	—	C	—
28M/9419542	A.103-DP	NUT .....	2	—	C	—
	1815/1535Y/UN	PLATE assy, nut .....	1	—	MR	JB.11
		Spares for:—				
28M/9419538	A.103-BP	NUT .....	1	—	C	—
28M/9419542	A.103-DP	NUT .....	2	—	C	—
	FOS.37/1	SEAL, weather .....	1	—	—	—
		Shell assy (1815/15355B)				
		Attachment parts for 1815/1535B:—				
4054	1815/1287	Bolt (15th—24th A/C) .....	2	—	C	JB.11
7308	FOS.55/11	Bolt (25th and sub. A/C) (Mod. 42) .....	2	—	MR/C	—
5815	1815/1565	Bolt .....	4	—	C	JB.11
6810	1815/1563	Bolt .....	4	—	MR/C	JB.11
28D/13302	AS.3297-11C	Bolt .....	38	—	C	—
28DU/16968	A.173-11D	Bolt .....	38	—	C	—
28D/13764	AS.3297-12C	Bolt .....	4	—	C	—
28DU/9480277	A.173-12D	Bolt .....	4	—	C	—
	FOS.30/11	Bolt .....	8	—	MR/C	—
7391	FOS.56/11	Bolt .....	8	—	MR/C	—
28M/10319	AGS.2002-C3	Nut .....	4	—	C	—
28M/9438436	A.129-D	Nut .....	4	—	C	—
	1815/1535W	Packing .....	1	—	MR	JB.11
	1815/1536W	Packing .....	1	—	MR	JB.11
	1815/1535X	Packing .....	1	—	—	JB.11
28W/9419475	SP.15-C	Washer .....	A/R	—	C	—
28W/9457834	SP.124-D	Washer .....	A/R	—	C	—
6801	1810/6129	SPRING .....	1	—	MR/C	JB.11
		Attachment parts for 1815/1535A/1 and 1535A/UN/1:—				
6812	1815/1535U	Block, packing .....	1	—	MR/C	JB.11
4053	1815/1285	Bolt (15th—24th A/C) .....	2	—	C	JB.11
7307	FOS.55/7	Bolt (25th and sub. A/C) (Mod. 42) .....	2	—	MR/C	—
28M/10319	AHS.2002-C3	Nut .....	2	—	C	—
28M/9438436	A.129-D	Nut .....	2	—	C	—
8710	1815/2087	Packing, taper (Amendt. 300) .....	4	—	C	JB.11
28W/9419475	SP.15/C	Washer .....	2	—	C	—
28W/17544	SP.124-D	Washer .....	4	—	C	—
		Attachment parts for 1815/1535A and 1535A/UN (1810/1A and 1A/UN):—				
28D/12133	AS.1248-16C	Bolt .....	9	—	C	—
28DU/9419651	A.113-16D	Bolt .....	9	—	C	—
28D/13132	AS.3297-1C	Bolt .....	35	—	C	—
28DU/9480269	A.173-1D	Bolt .....	35	—	C	—
28D/13697	AS.3297-3C	Bolt .....	40	—	C	—
28DU/9480271	A.173-3D	Bolt .....	40	—	C	—
6943	FOS.30/1	Bolt .....	6	—	MR/C	—
7020	FOS.56/1	Bolt .....	6	—	MR/C	—
5824	FOS.30/2	Bolt .....	10	—	MR/C	—
7021	FOS.56/2	Bolt .....	10	—	MR/C	—
28M/10328	AGS.2002-C1	Nut .....	65	—	C	—
6956	FOS.40/4	Nut .....	65	—	MR/C	—
28W/9419475	SP.15-C	Washer .....	8	—	C	—
28W/9457834	SP.124-D	Washer .....	8	—	C	—
SEE PAGE JA.44 FOR FRONT AND CENTRE FUSELAGE DETAILS, FRAME 12 (1800/21A and 21A/UN)						

FUSELAGE

FRONT PORTION

Issued with A.L. No. 9

**G.A. OF FRONT FUSELAGE (1810/1A)** ... ..

Spares for :—

**PLATING** assy, skin, lower, S/B to frame 12 (1810/2763A)

Spares for :—

4721	1810/5039A	PANEL, detachable (Pre-mod 551) ... ..	1	—	C	
8983	1810/5039A/1	PANEL, detachable (Mod. 551) ... ..	1	—	C	JB.23
		Spares for :—				
8985	1810/6975	SEAL (Mod. 551) ... ..	1	—	C	JB.23
		Attachment parts for 1810/5039A and 5039A/1 :—				
28D/13132	AS.3297-1C	Bolt ... ..	3	—	C	—
4722	1810/5040A	PANEL, detachable (Pre-mod. 551) ... ..	1	—	C	
8984	1810/5040A/1	PANEL, detachable (Mod. 551) ... ..	1	—	C	JB.21
		Spares for :—				
8986	1810/6976	SEAL (Mod. 551) ... ..	1	—	C	JB.23
		Attachment parts for 1810/5040A and 5040A/1 :—				
28D/13132	AS.3297-1C	Bolt ... ..	3	—	C	—

**SEALING** assy, pilots floor (1810/5381A) ... ..

Spares for :—

5512	1810/5009	COVER assy, dust ... ..	1	—	C	JB.35
4774	1810/5021ND	FAIRLEAD ... ..	1	—	C	JB.35
		Attachment parts for 1810/5021ND :—				
28D/9436920	A.25-1C	Bolt ... ..	3	—	C	
28W/9419475	SP.15-C	Washer ... ..	3	—	C	

**STRUCTURE** assy, canopy hinge and ram mounting (1810/1077A)

Spares for :—

**ASSISTER** assy, canopy and mounting structure (1815/1923A)

Spares for :—

**PAD** assy, bearing (1815/1625A)

Spares for :—

7533	1815/1627	PAD, bearing ... ..	1	—	MR/C	JD.3
7534	1815/1629	PLATE ... ..	1	—	MR/C	JD.3
		Attachment parts for 1815/1629 :—				
28S/11907	AS.2993-4B	Screw ... ..	4	—	C	
7535	1815/1631	SHIM ... ..	1	—	MR/C	JD.3

**STRUCTURE** assy, cockpit, side, forward (1810/11-12A)

Spares for :—

3159	1810/3419A	FITTING assy, hinge, frame 4, port ... ..	1	—	C	JB.33
3160	1810/3420A	FITTING assy, hinge, frame 4, starboard ... ..	1	—	C	JB.33
		Attachment parts for 1810/3419-20A :—				
28D/9133012	A.25-3C	Bolt ... ..	4	—	C	
28M/9403520	A.27-CP	Nut ... ..	4	—	C	
28W/9419475	SP.15-C	Washer ... ..	4	—	C	

**FRAME 5** assy, side portion (1810/4895-6A) ... ..

**FRAME 6** assy, side portion (1810/5149-50A) ... ..

Spares for :—

**REPAIR** to frames 5 and 6 (1810/3503/4A) ... ..

Spares for :—

FUSELAGE  
FRONT PORTION

Issued with A.L. No. 9

3162	1810/3449	FITTING, attachment, frame 5, port ...	1	—	C	JB.9
3163	1810/3450	FITTING, attachment, frame 5, starboard ...	1	—	C	JB.9
3164	1810/3451	FITTING, attachment, frame 6, port ...	1	—	C	JB.9
3165	1810/3452	FITTING, attachment, frame 6, starboard ...	1	—	C	JB.9
		FRAME 7 assy, side, portion (1810/5797-9A) ...				
		Spares for :—				
	1815/105A	CASTING assy, canopy catch, port ...	1	—	MR	JB.10
	1815/107A	CASTING assy, canopy catch, starboard ...	1	—	MR	JB.10
		STRUCTURE keel (1810/9A) ...				
		Spares for :—				
		BULKHEAD assy, sloping (1810/31A) ...				
		Spares for :—				
	1810/329	MOUNTING, oleo pivot ...	1	—	MR	SB.4
		FLOOR assy, cockpit, rear, sloping bulkhead to frame 9C (1810/2219-20A)				
		Spares for :—				
4663	1810/4741A	PANEL assy, removable floor, frames 9-9C, port (9th-10th A/C)	1	—	C	JB.25
5811	1810/4743A	PANEL assy, removable, floor, frames 9-9C, starboard (9th-10th A/C)	1	—	C	JB.25
		Attachment parts for 1810/4741A and 4743A :—				
28D/9436920	A.25-1C	Bolt ...	3	—	C	
28D/9133011	A.25-2C	Bolt ...	9	—	C	
28D/1007481	AS.1248-1C	Bolt ...	10	—	C	
		FLOOR assy, pilots, frame 4 to sloping bulkhead (1810/739A)				
		Spares for :—				
7930	1810/3375AND/1	PANEL assy, floors, frames 6-7, port (Mod. 46)	1	—	C	JB.35
7931	1810/3376AND/1	PANEL assy, floor, frames 6-7, starboard (Mod. 46)	1	—	C	JB.35
4761	1810/749A/1	PANEL assy, floor, frame 7 to sloping bulkhead	1	—	C	
		Attachment parts for 1810/749A/1 :—				
28D/1007982	AS.1248-1C	Bolt ...	12	—	C	
28D/1013284	AS.1248-2C	Bolt ...	4	—	C	
28W/9419475	SP.15-C	Washer ...	16	—	C	
1040	1310/1775ND	PLATE cover, frames 4-5 ...	1	—	C	JB.35
		Attachment parts for 1310/1775ND				
28D/1007982	AS.1248-1C	Bolt ...	8	—	C	
1032	1810/741A	PANEL assy, pilots floor, frames 4-5 ...	1	—	C	JB.35
		Spares for :—				
5K/2866	SP.40-A10	GROMMET ...	1	—	C	
28M/11957	AGS.2007-C1	NUT, anchor ...	18	—	C	
3156	1810/2937	PLATE, cover ...	3	—	C	
		Attachment parts for 1810/2937 :—				
28D/13132	AS.3297-1C	Bolt ...	6	—	C	

**RESTRICTED**

A/C SERIAL NOS.

**FUSELAGE**

ADDENDUM PAGE JB. 3

XM 704-709 ONLY

**FRONT**

Issued with A.L. No. 6

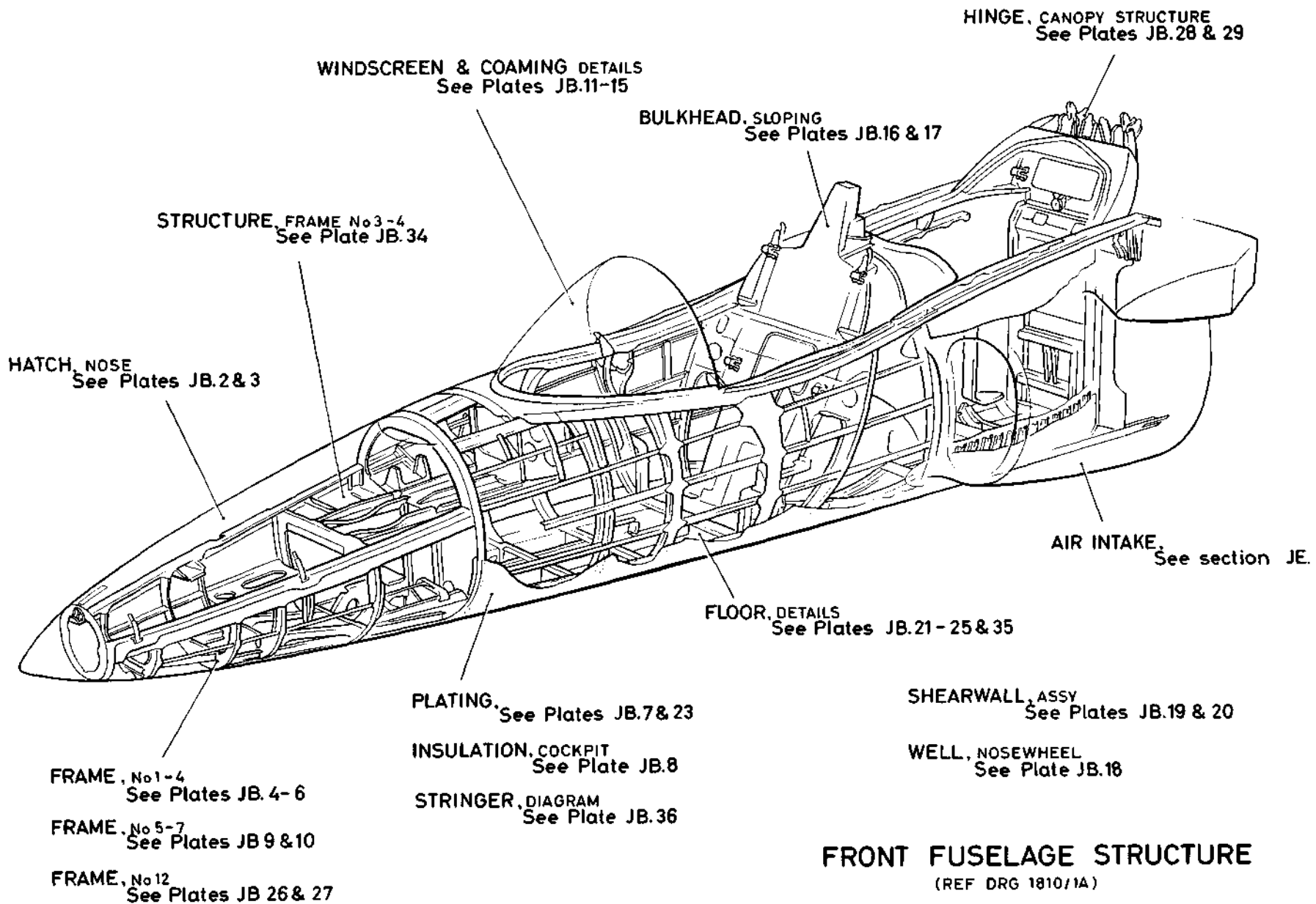
REF. No.	PART NUMBER	DESCRIPTION	No. OFF	MATL. SPEC.	CL. OF ST.	PLATE No.		
					N.R. L.M.			
		1	2	3	4	5		
1139	1210/39A	FRAME 5; bottom portion .. ..	1	-	MR	JB. 31		
		Spares for :-						
		1210/147	ANGLE, port .. ..	1	-	MR	JB. 31	
		1210/148	ANGLE, starboard .. ..	1	-	MR	JB. 31	
		1210/151	ANGLE, port .. ..	1	-	MR	JB. 31	
		1210/152	ANGLE, starboard .. ..	1	-	MR	JB. 31	
		1210/1441	ANGLE .. ..	1	-	MR	JB. 31	
		1810/23A/1	FRAME 6 bottom portion .. ..	1	-	C	JB. 31	
			Spares for :-					
		1810/107	ANGLE, aft, port .. ..	1	-	MR	JB. 31	
		1810/108	ANGLE, aft, starboard .. ..	1	-	MR	JB. 31	
		1810/1743	ANGLE, forward, port .. ..	1	-	MR	JB. 31	
		1810/1744	ANGLE, forward, starboard .. ..	1	-	MR	JB. 31	
		1810/109	WEB .. ..	1	-	MR	JB. 31	
	1810/3703A	FRAME 9C (Premod 241) .. ..	1	-	MR	JB. 31		
		FRAME 11 assy (1803/99A)						
		Spares for :-						
3948	1810/801	PRESSING, fr. 11 (9th - 10th A/C) .. ..	1	-	C	JB. 31		
		STIFFENER assy, (1310/1679-80A)						
		Spares for :-						
28M/9435067	AGS.2008-C1	NUT, anchor .. ..	1	-	C			
28M/9144673	AGS.2019-C1	NUT, anchor .. ..	1	-	C			
6847	FOS.4/16C	PACKING, anchor nut .. ..	1	-	MR/C			
6849	FOS.5/16C	PACKING, anchor nut .. ..	1	-	MR/C			
	1310/1683ND	PRESSING .. ..	1	-	MR	JB. 22		
	1310/1684ND	PRESSING .. ..	1	-	MR	JB. 22		
		STIFFENER assy, pilots floor, port (1310/1687A)						
		Spares for :-						
28M/9435067	AGS.2008-C1	NUT, anchor .. ..	2	-	C			
28M/9144673	AGS.2019-C1	NUT, anchor .. ..	2	-	C			
28M/14347	AGS.2019-E1	NUT, anchor .. ..	1	-	C			
6847	FOS.4/16C	PACKING, anchor nut .. ..	2	-	MR/C			
6849	FOS.5/16C	PACKING, anchor nut .. ..	2	-	MR/C			
	1310/1689ND	PRESSING .. ..	1	-	MR	JB. 22		
		STIFFENER assy, pilots floor, starboard (1810/1681A)						
		Spares for :-						
28M/9435067	AGS.2008-C1	NUT, anchor .. ..	1	-	C			
28M/9144673	AGS.2019-C1	NUT, anchor .. ..	1	-	C			
6847	FOS.4/16C	PACKING, anchor nut .. ..	1	-	MR/C			
6849	FOS.5/16C	PACKING, anchor nut .. ..	1	-	MR/C			
	1310/1685ND	PRESSING .. ..	1	-	MR	JB. 22		

JB.1

FRONT FUSELAGE

JB.1

RESTRICTED



Gnat T Mk 1

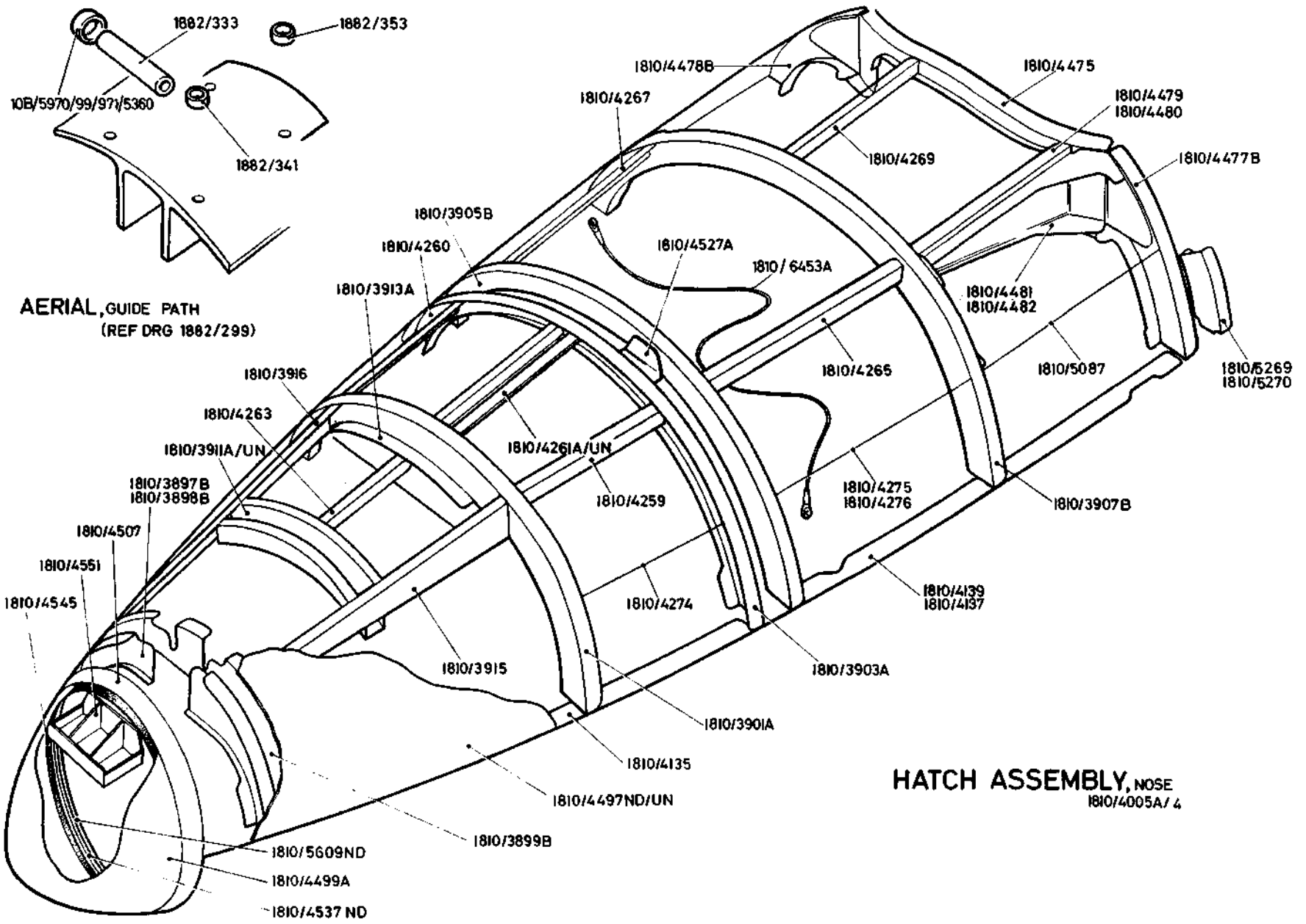
RESTRICTED

Plate JB.1

JB.2

FRONT FUSELAGE

JB.2



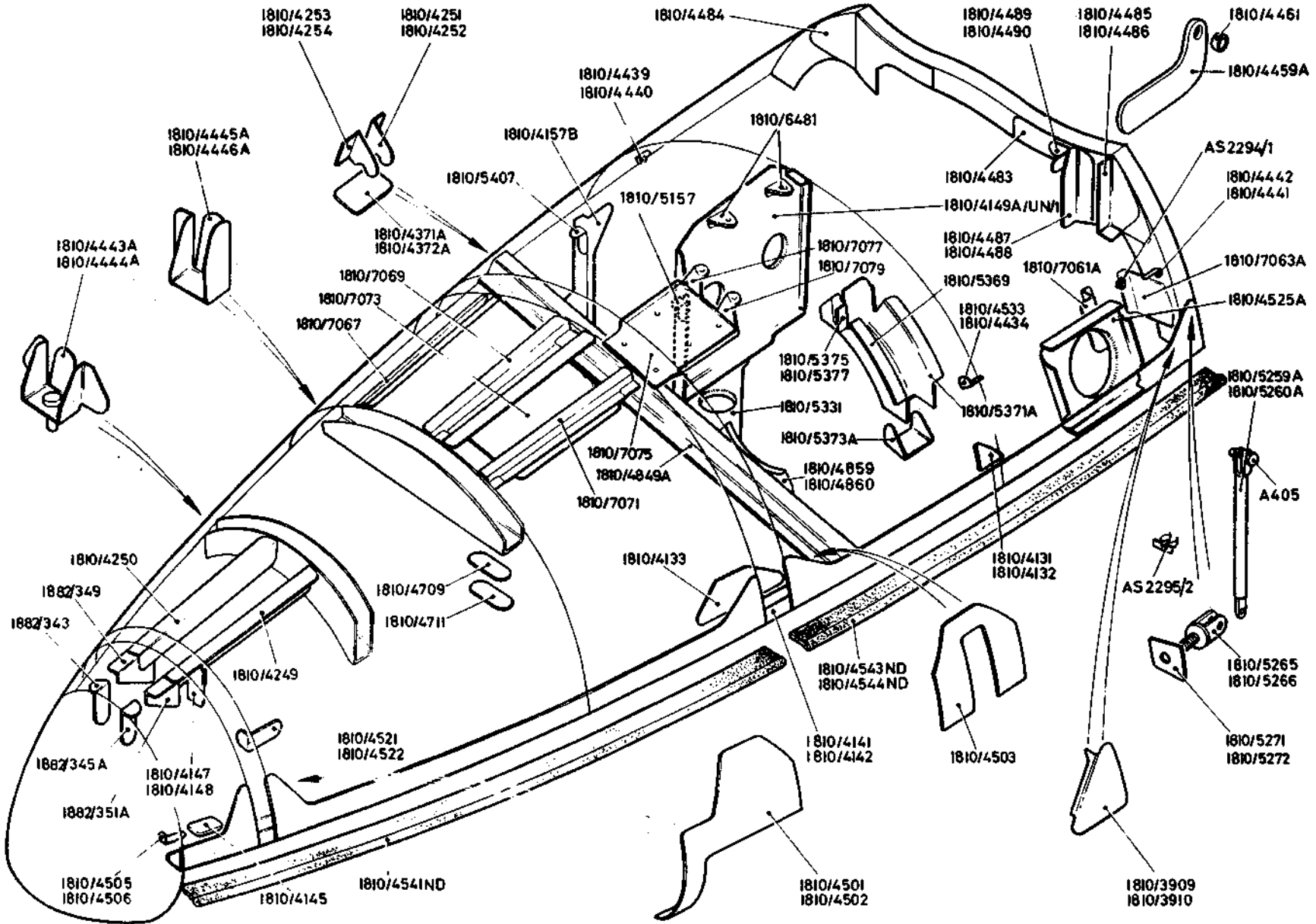
RESTRICTED

JB.3

FRONT FUSELAGE

JB.3

RESTRICTED



Grnd T. Mk I.

RESTRICTED

Plate JB3

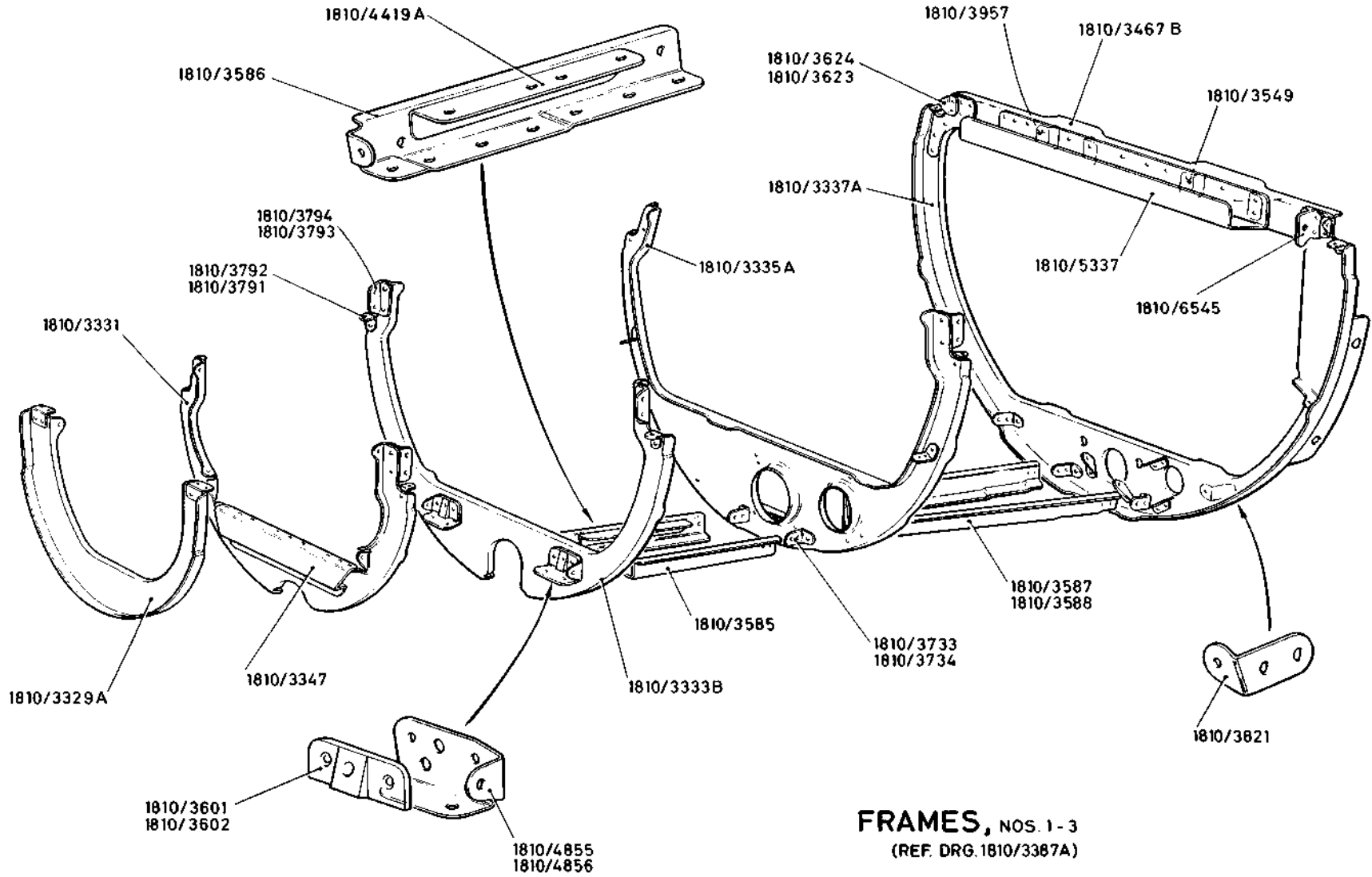
Issued with A.L.No. 17

JB.4

FRONT FUSELAGE

JB.4

RESTRICTED



FRAMES, NOS. 1 - 3  
(REF. DRG. 1810/3387A)

Gnat T.Mk.1

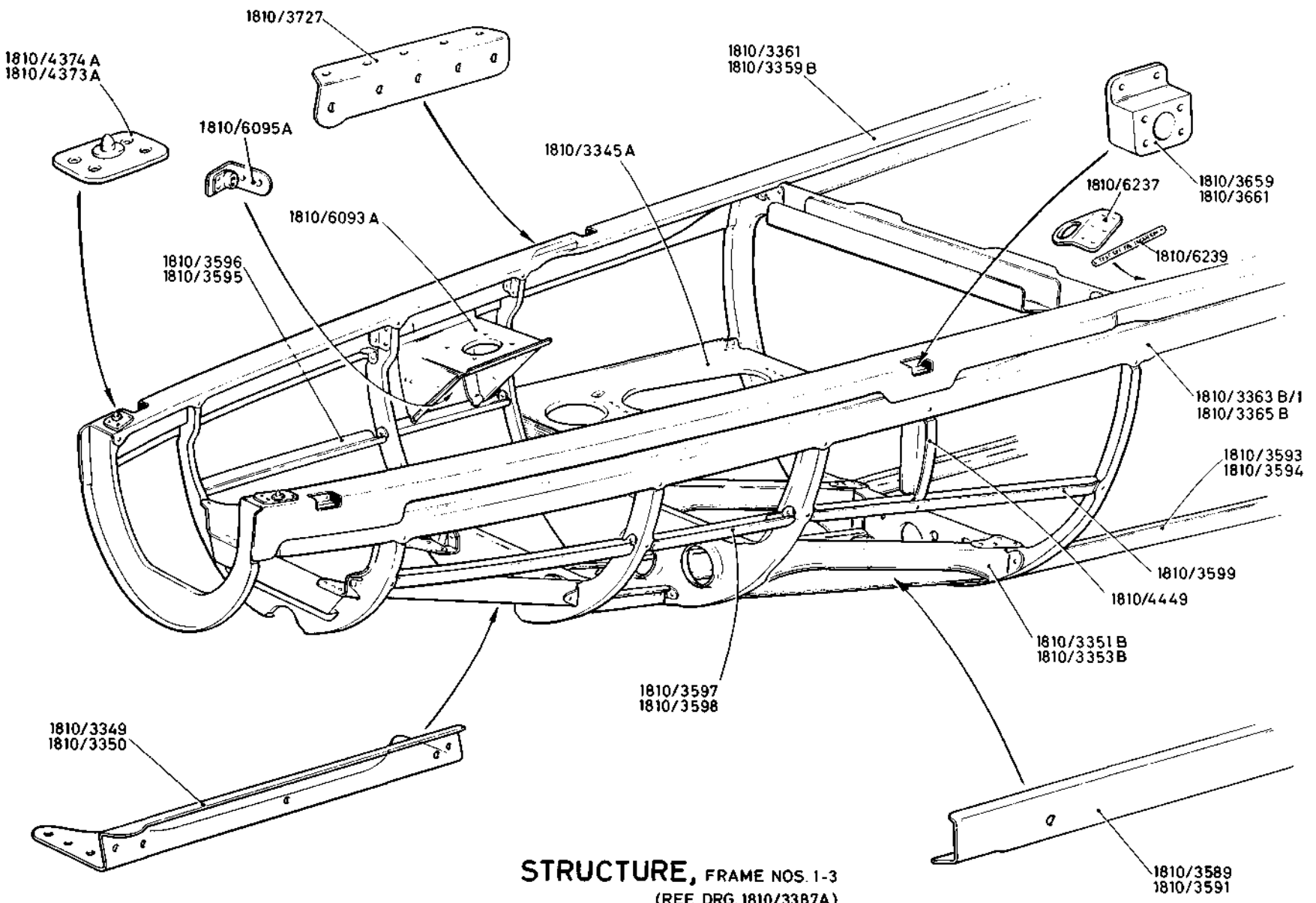
RESTRICTED

Plate JB.4  
Issued with AL.No.2

Gnat T.Mk.1

RESTRICTED

Plate JB.5  
Issued with A.L.No.7



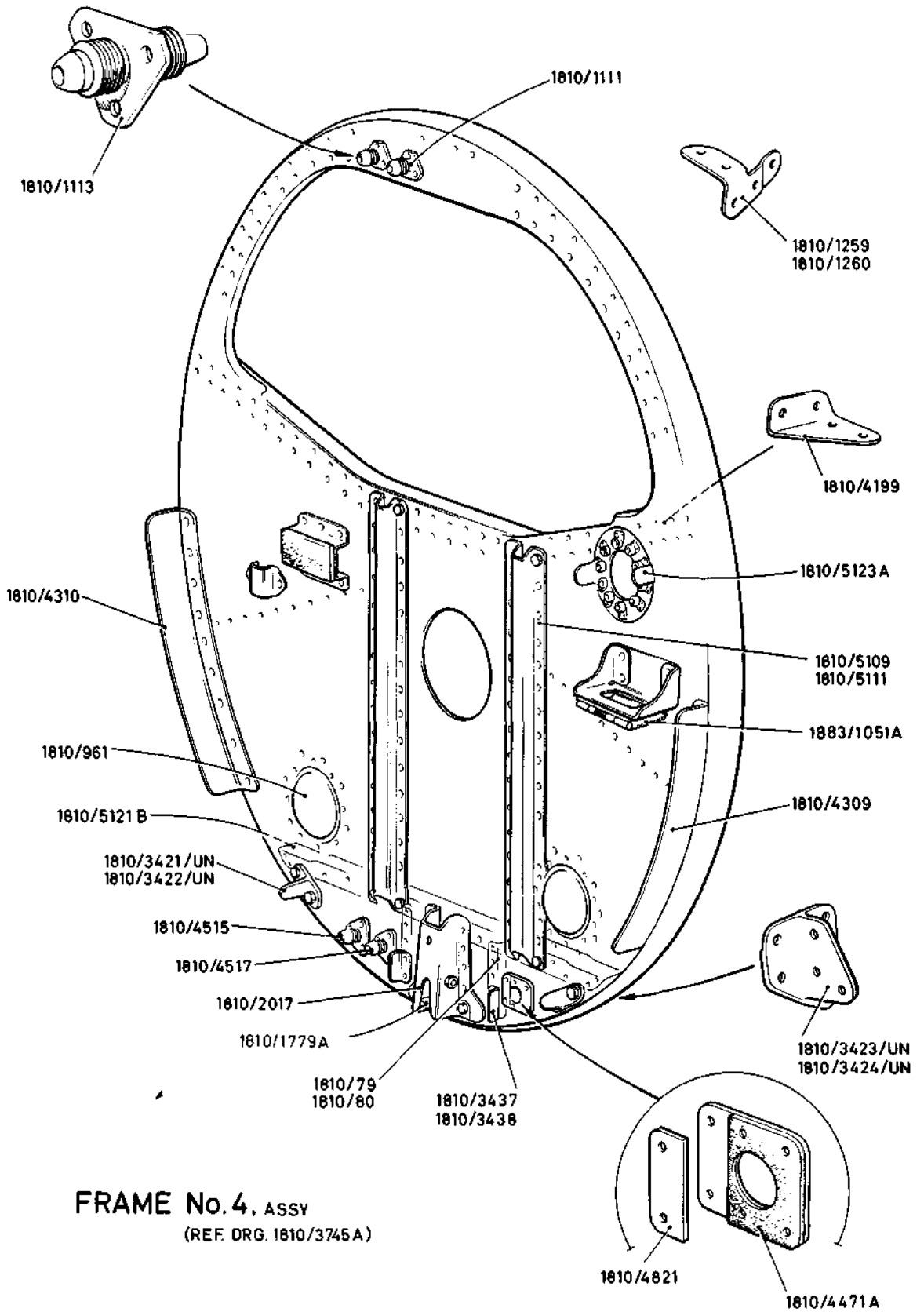
STRUCTURE, FRAME NOS. 1-3  
(REF. DRG. 1810/3387A)

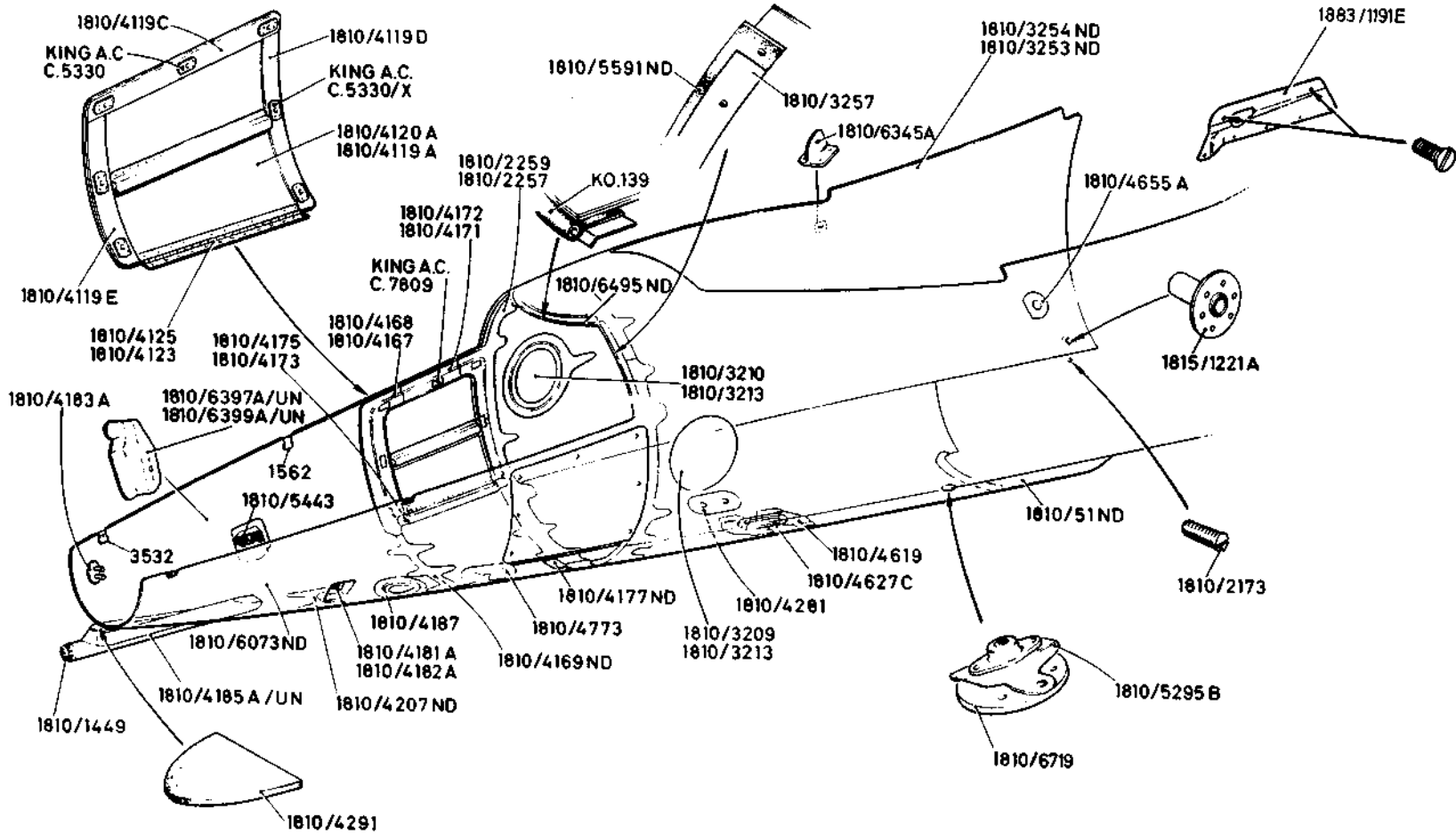
JB.5

FRONT FUSELAGE

JB.5

RESTRICTED





PLATING, ASSY SKIN - FRAME NOS. 1-12  
 (REF DRGS. 1810/2765 - 6A)  
 1810/1137A &  
 1810/1A

JB.7

FRONT FUSELAGE

RESTRICTED

JB.7

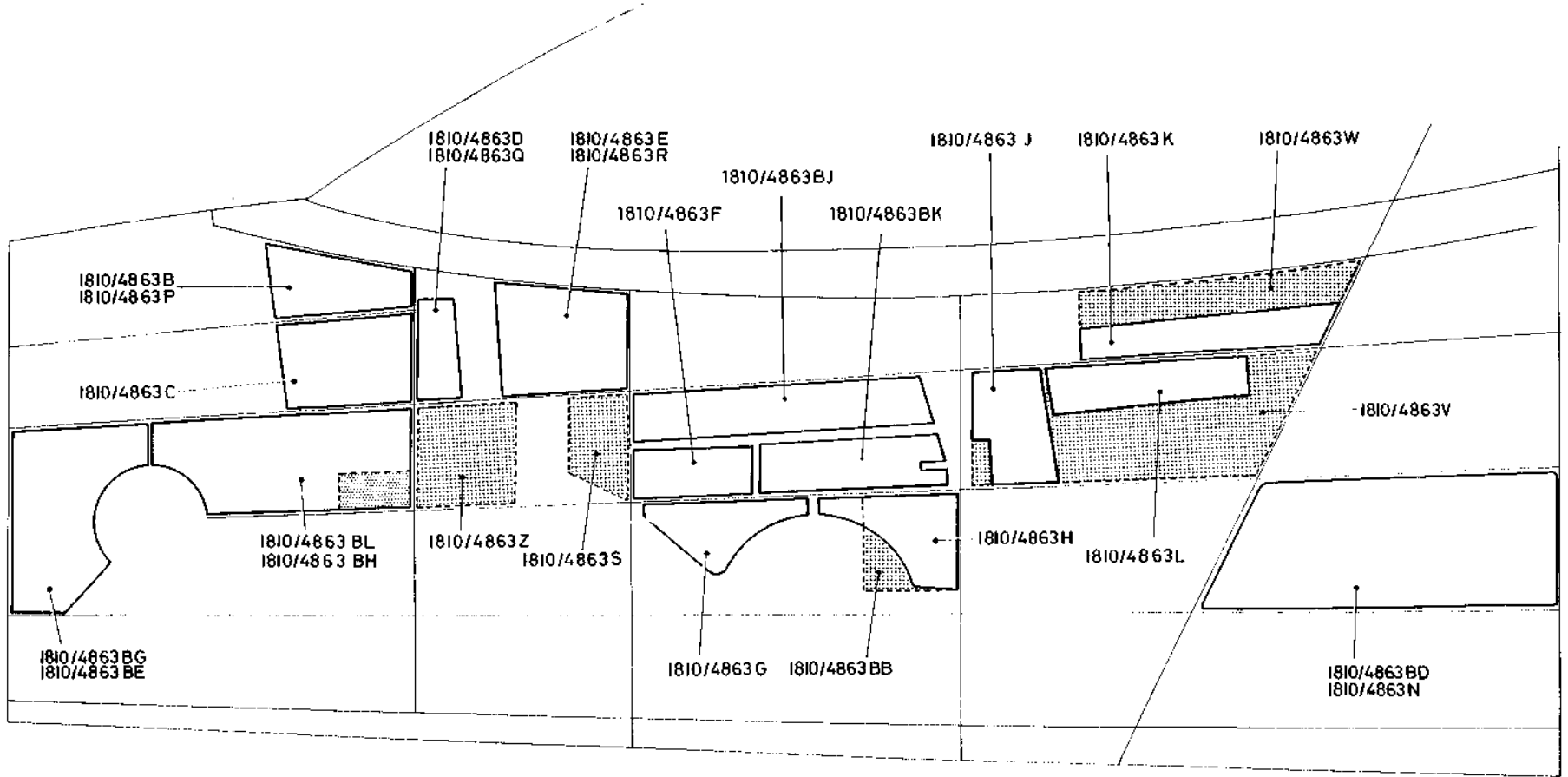
JB.8

FRONT

FUSELAGE

JB.8

RESTRICTED



PORT



STARBOARD

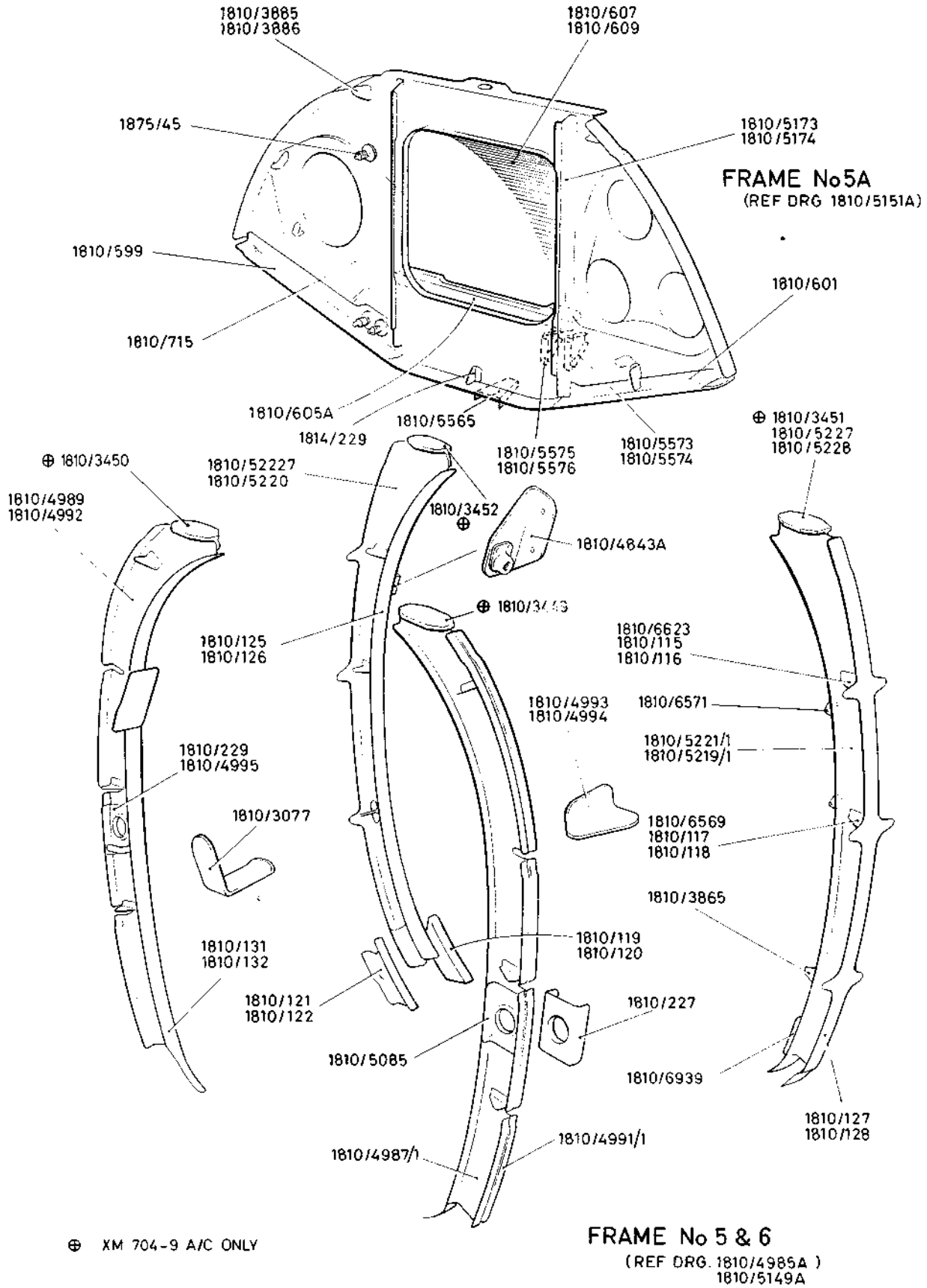
INSULATION COCKPIT,  
(REF. DRG. 1810/4863A)

Gnat T. Mk.I

RESTRICTED

Plate JB.8

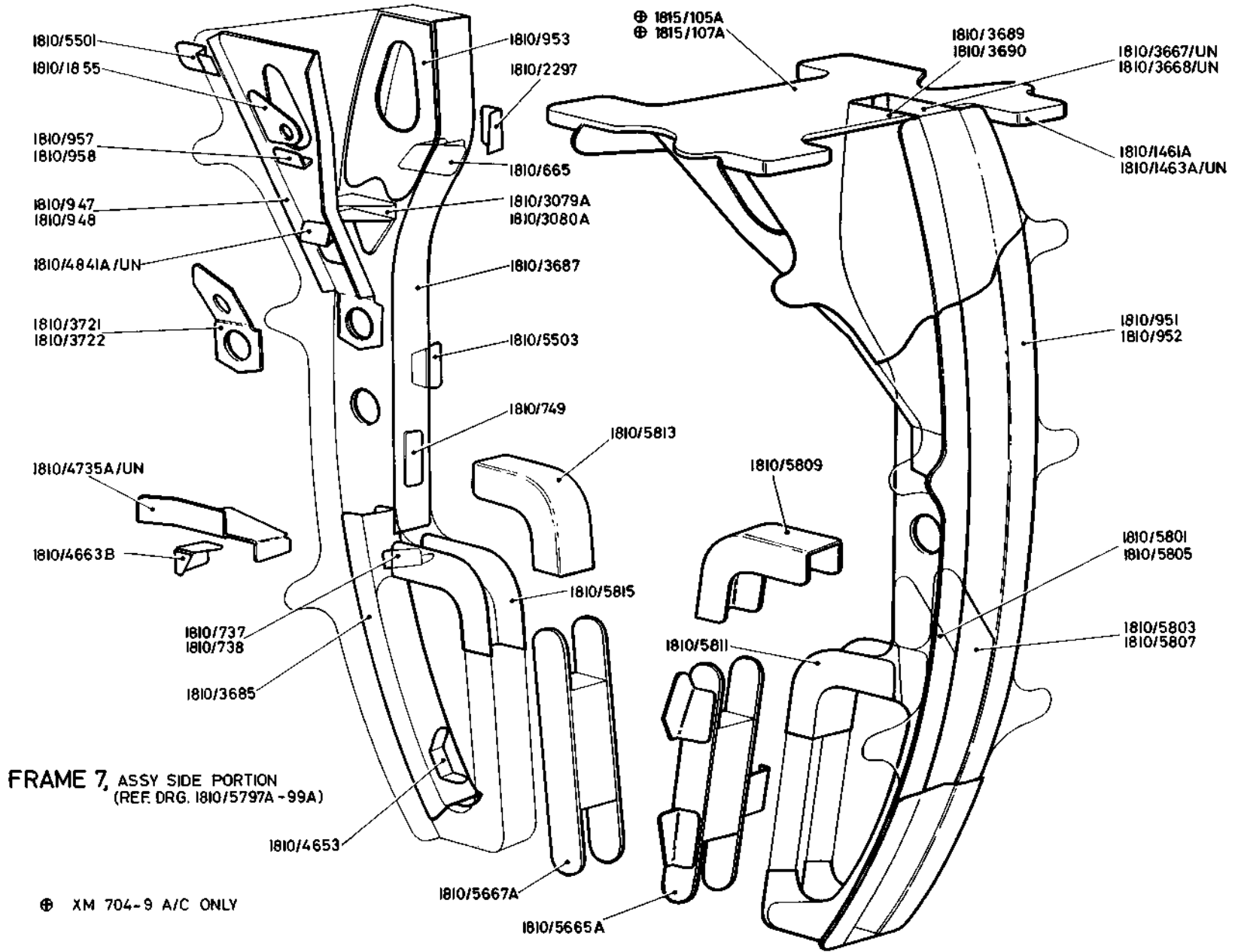
Issued with AL.No.8



JB.10

FRONT FUSELAGE

JB.10



FRAME 7, ASSY SIDE PORTION  
(REF. DRG. 1810/5797A-99A)

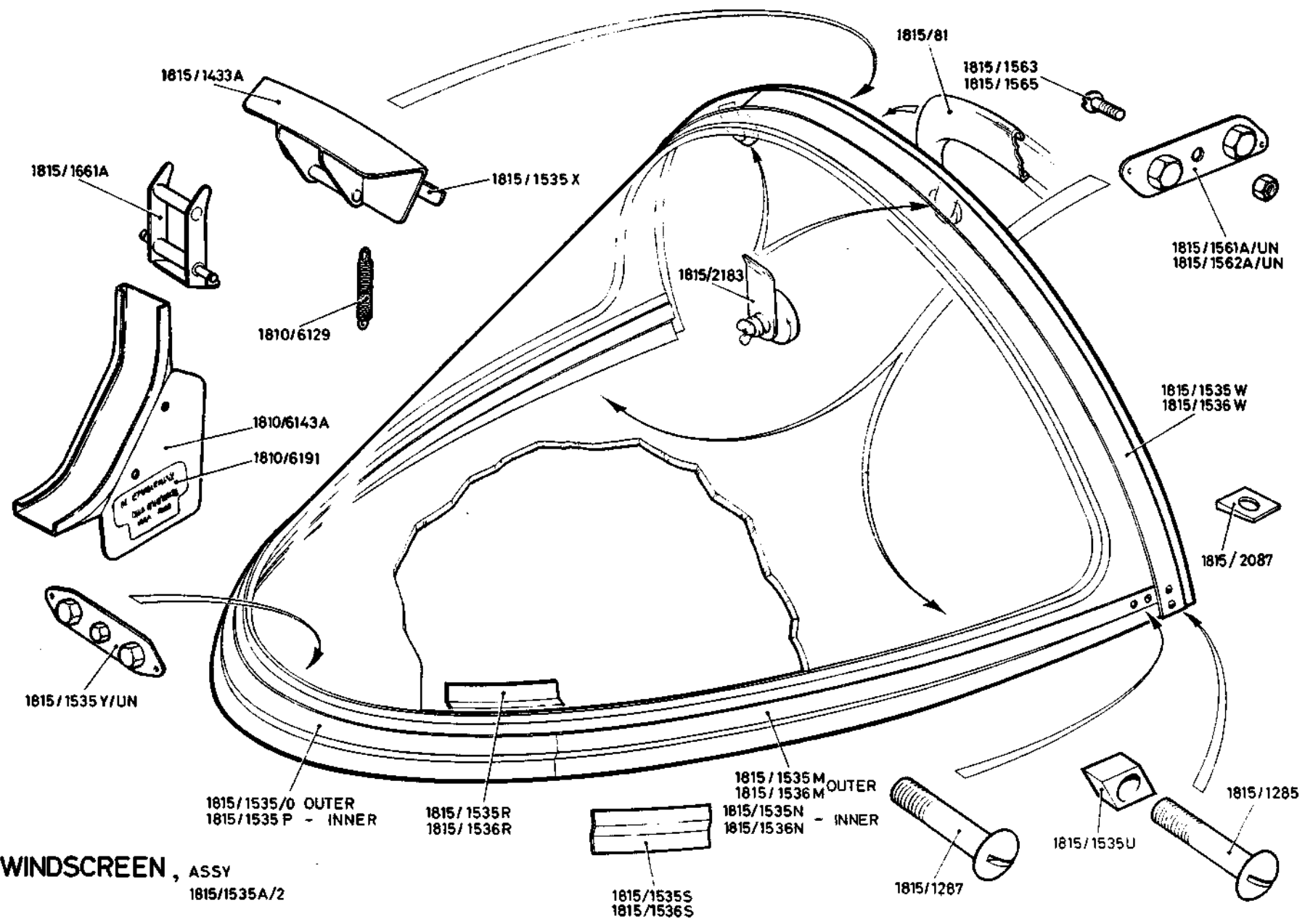
⊕ XM 704-9 A/C ONLY

RESTRICTED

Gnat T. Mk I.

RESTRICTED

Plate JB.10  
Issued with A.L.No. 6



WINDSCREEN, ASSY  
1815/1535A/2

JB.11

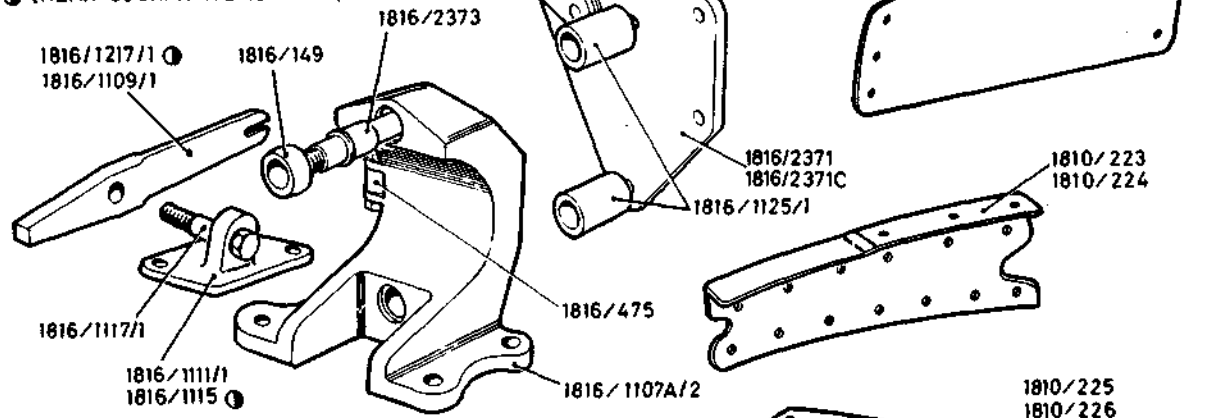
FRONT FUSELAGE

RESTRICTED

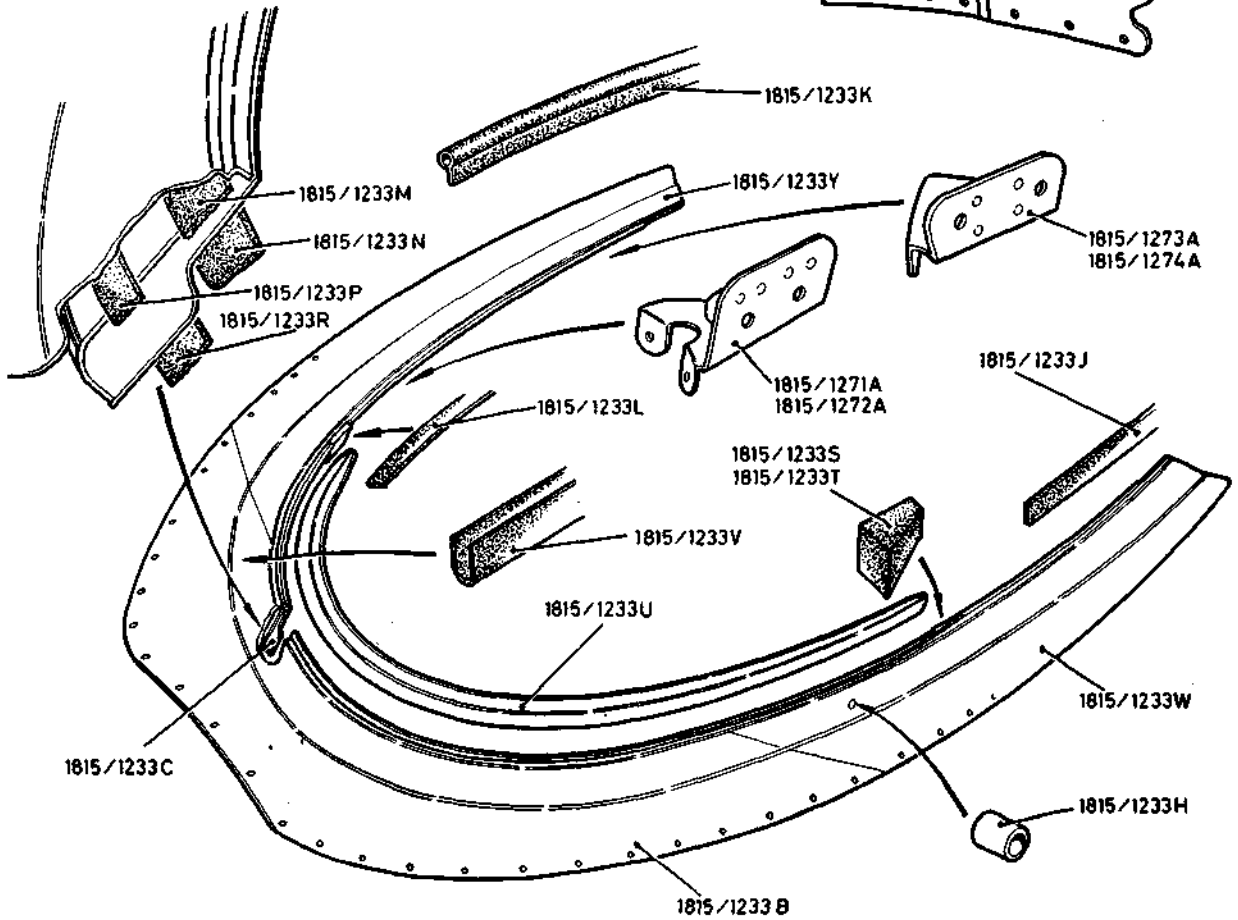
JB.11

NOTE.

⊙ (REAR COCKPIT ITEMS ONLY)



MECHANISM, "Q" SELECTOR INSTALLATION  
(REF. DRG. 1816/1101A)

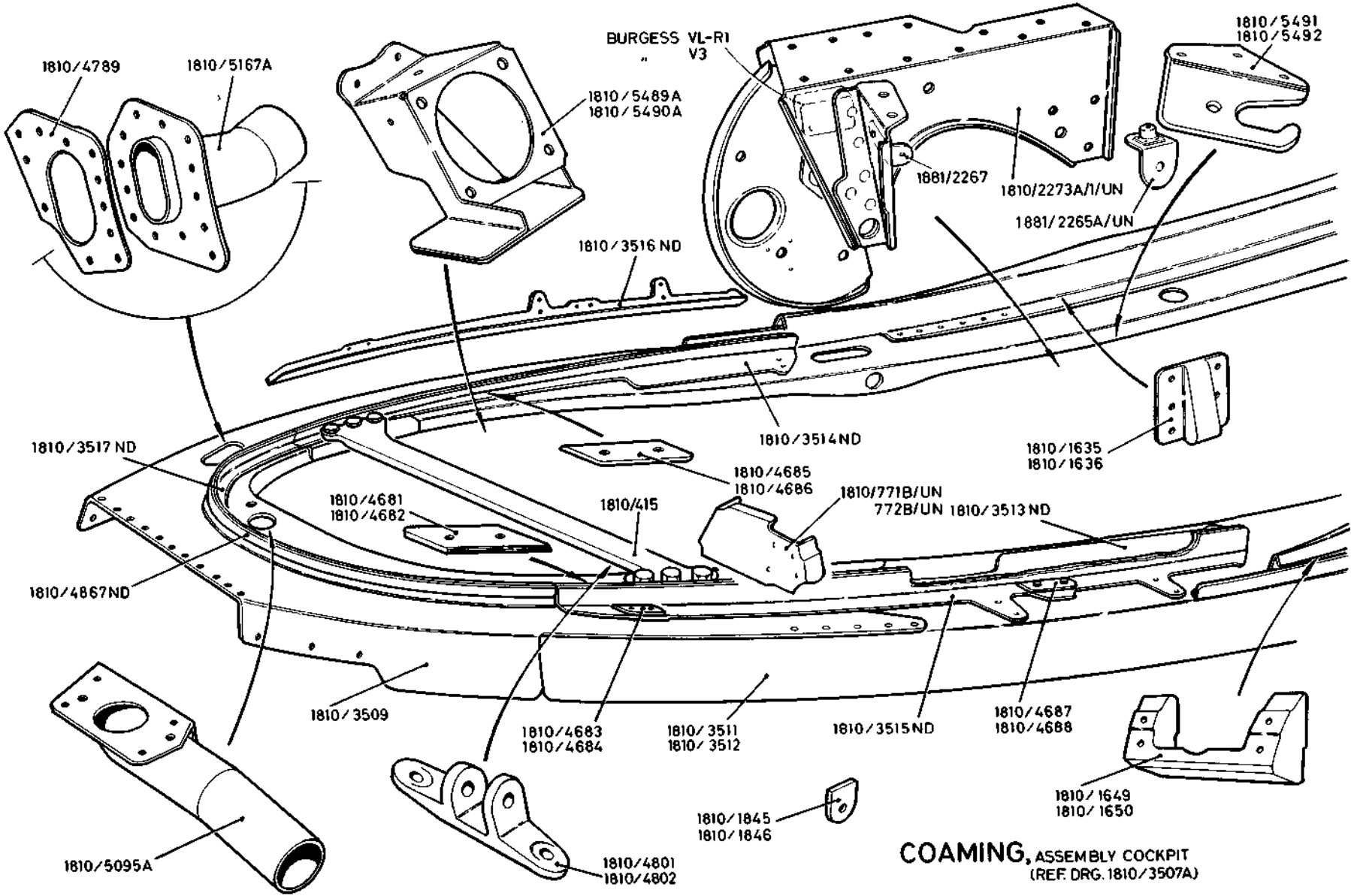


DE-ICING, WINDSCREEN ASSEMBLY  
(REF. DRG. 1815/1233A)

Gnat I Mk1

RESTRICTED

Plate JB13  
Issued with A.L.No.4



COAMING ASSEMBLY COCKPIT  
(REF. DRG. 1810/3507A)

JB.13

FRONT FUSELAGE

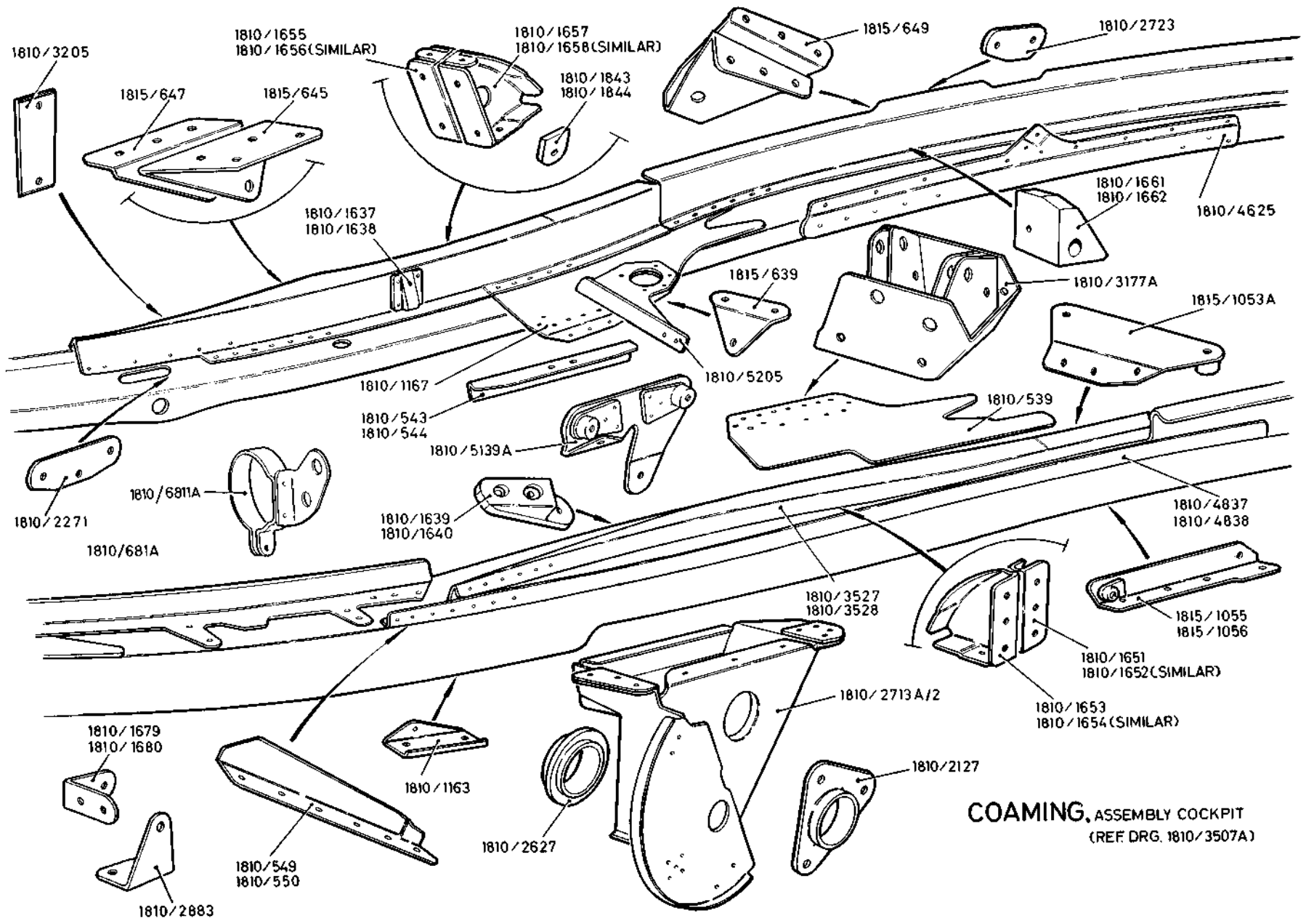
JB.13

RESTRICTED

JB.14

FRONT FUSELAGE

JB.14



COAMING, ASSEMBLY COCKPIT  
(REF DRG. 1810/3507A)

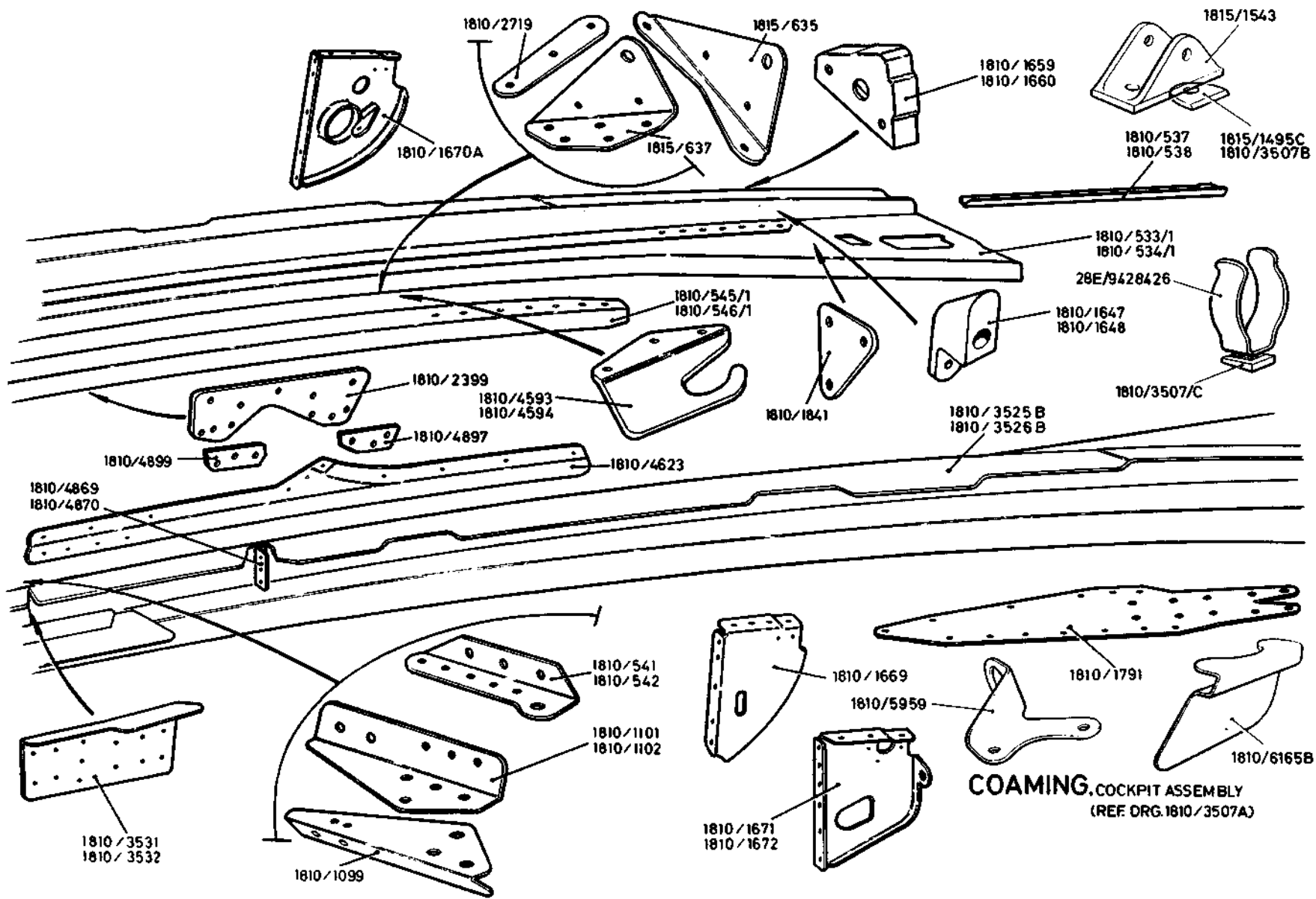
RESTRICTED

JB.15

FRONT FUSELAGE

JB.15

RESTRICTED



Gnat T.Mk.1

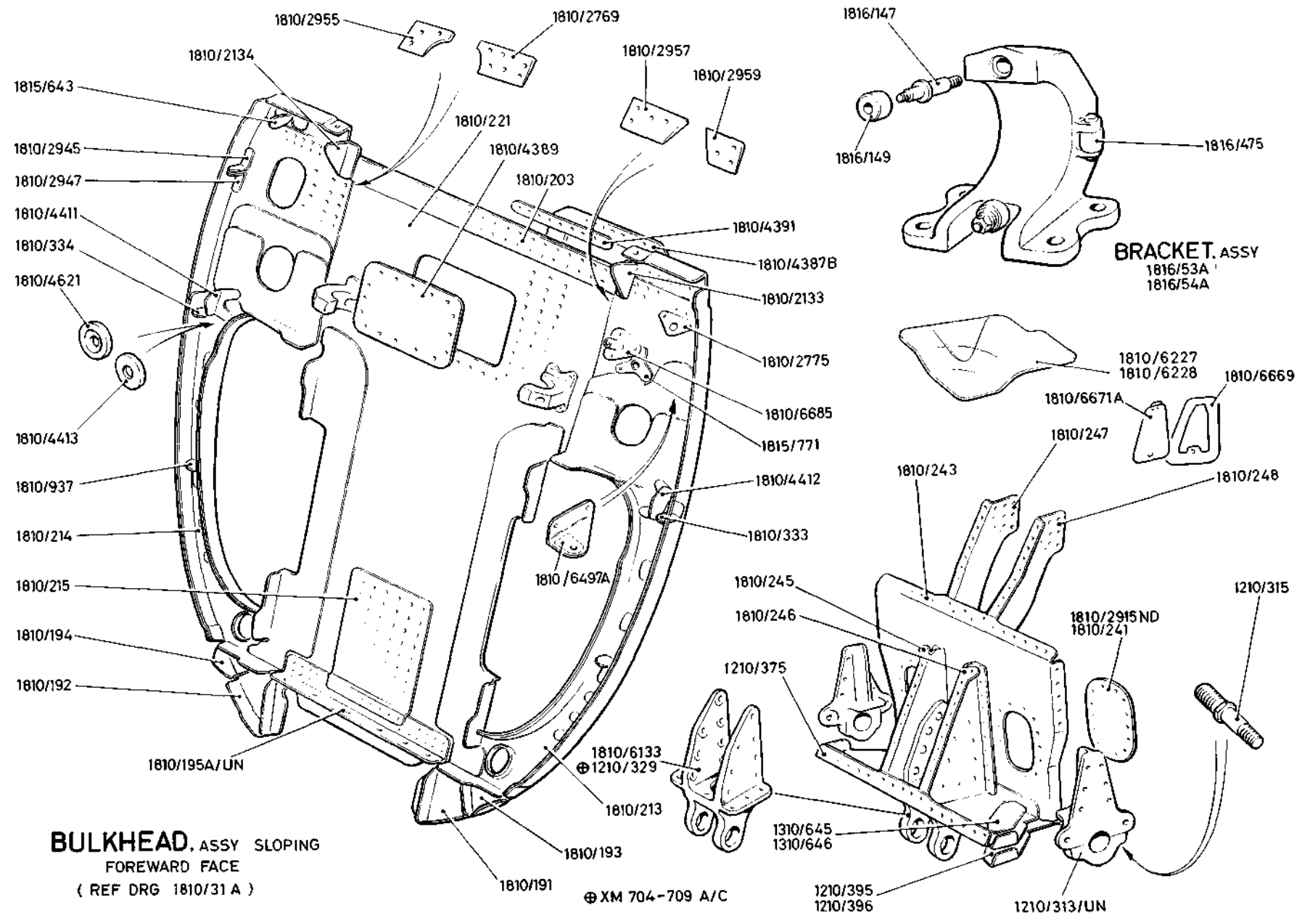
RESTRICTED

Plate JB.15  
Issued with AL No.18

Gnat T. Mk1.

RESTRICTED

Plate JB16  
Issued with ALNo.8



JB.16

FRONT FUSELAGE

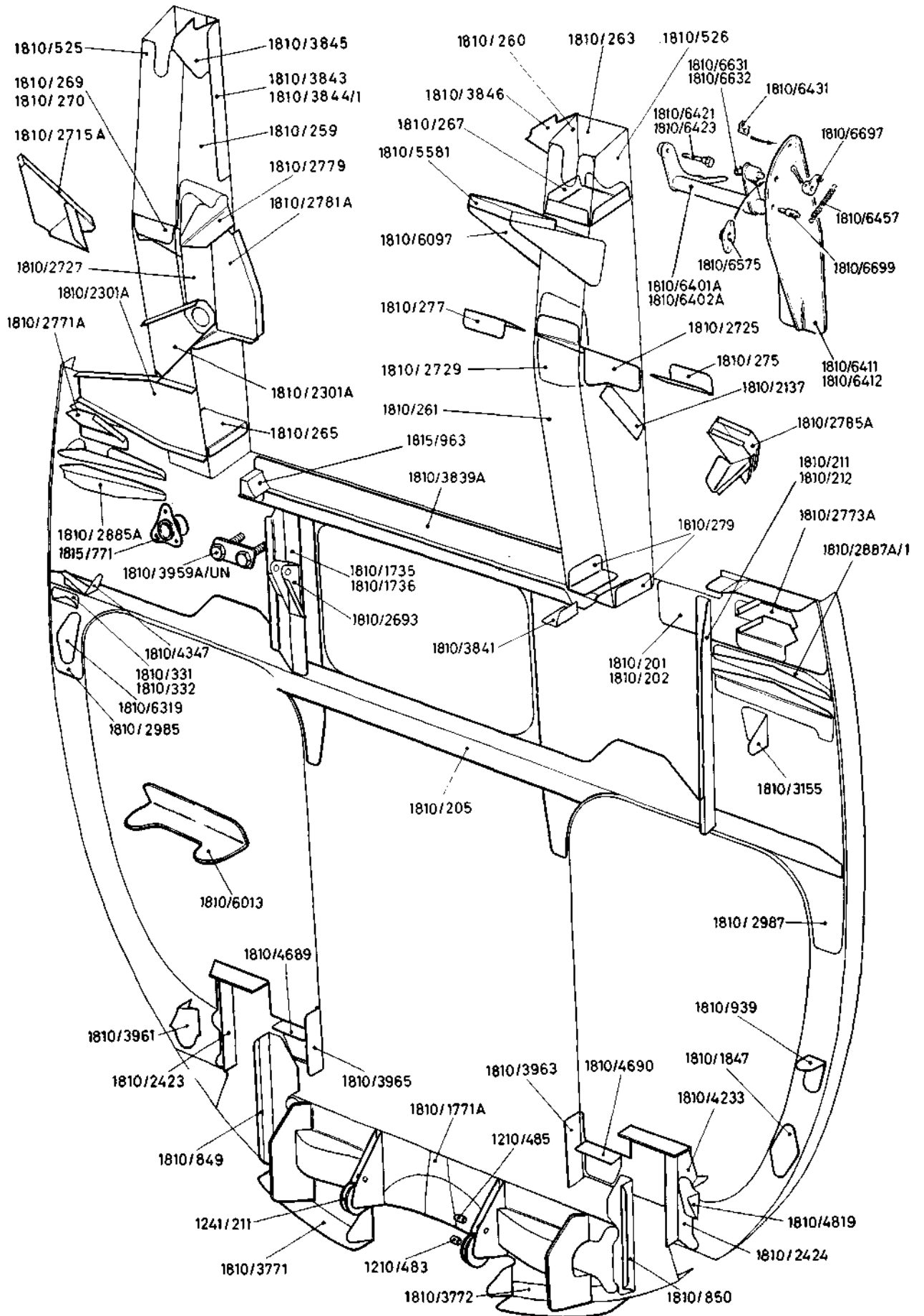
JB.16

RESTRICTED

**BULKHEAD, ASSY SLOPING  
FOREWARD FACE**  
( REF DRG 1810/31 A )

⊕ XM 704-709 A/C

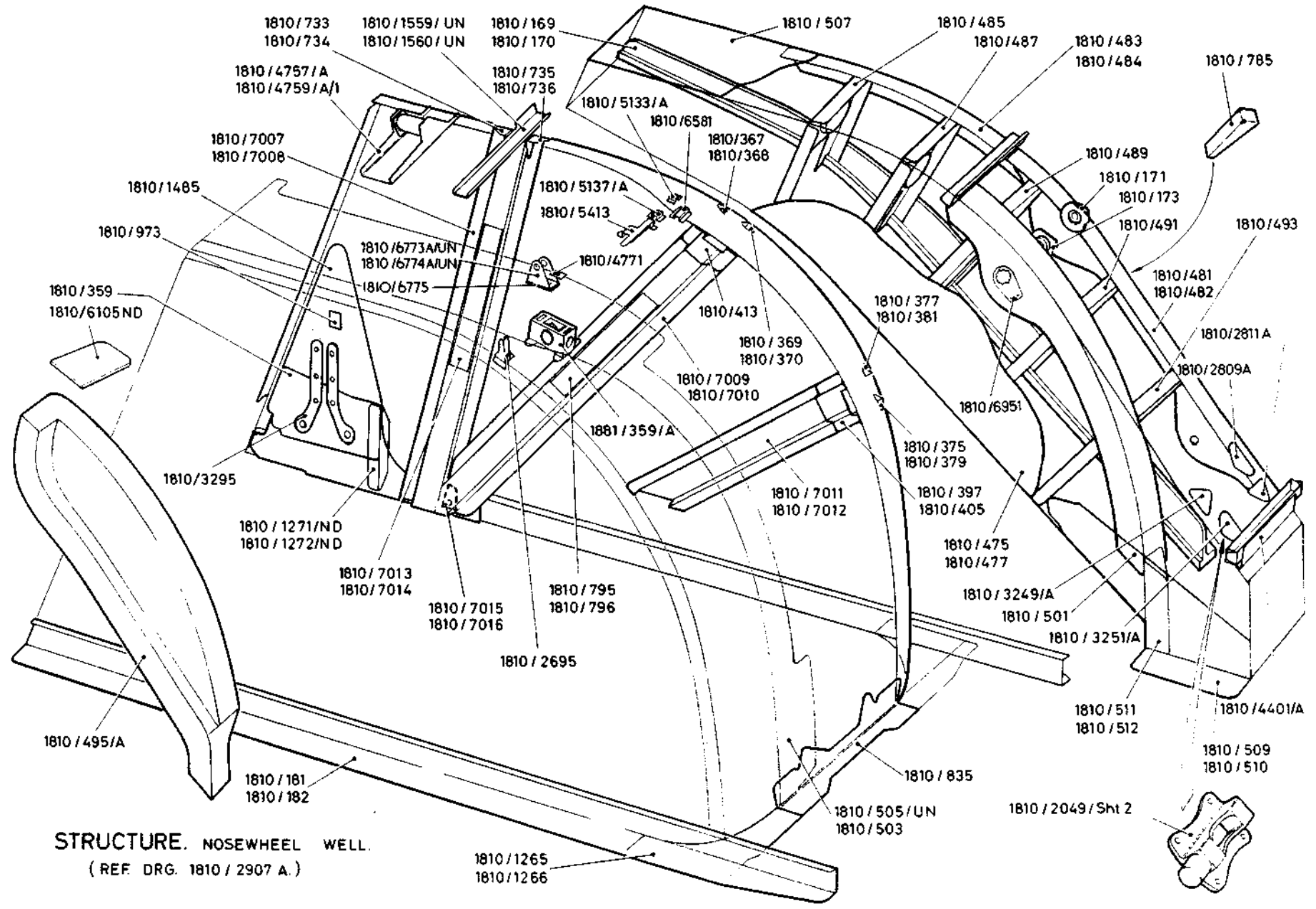
**BRACKET, ASSY**  
1816/53A  
1816/54A



JB.18

FRONT FUSELAGE

JB.18



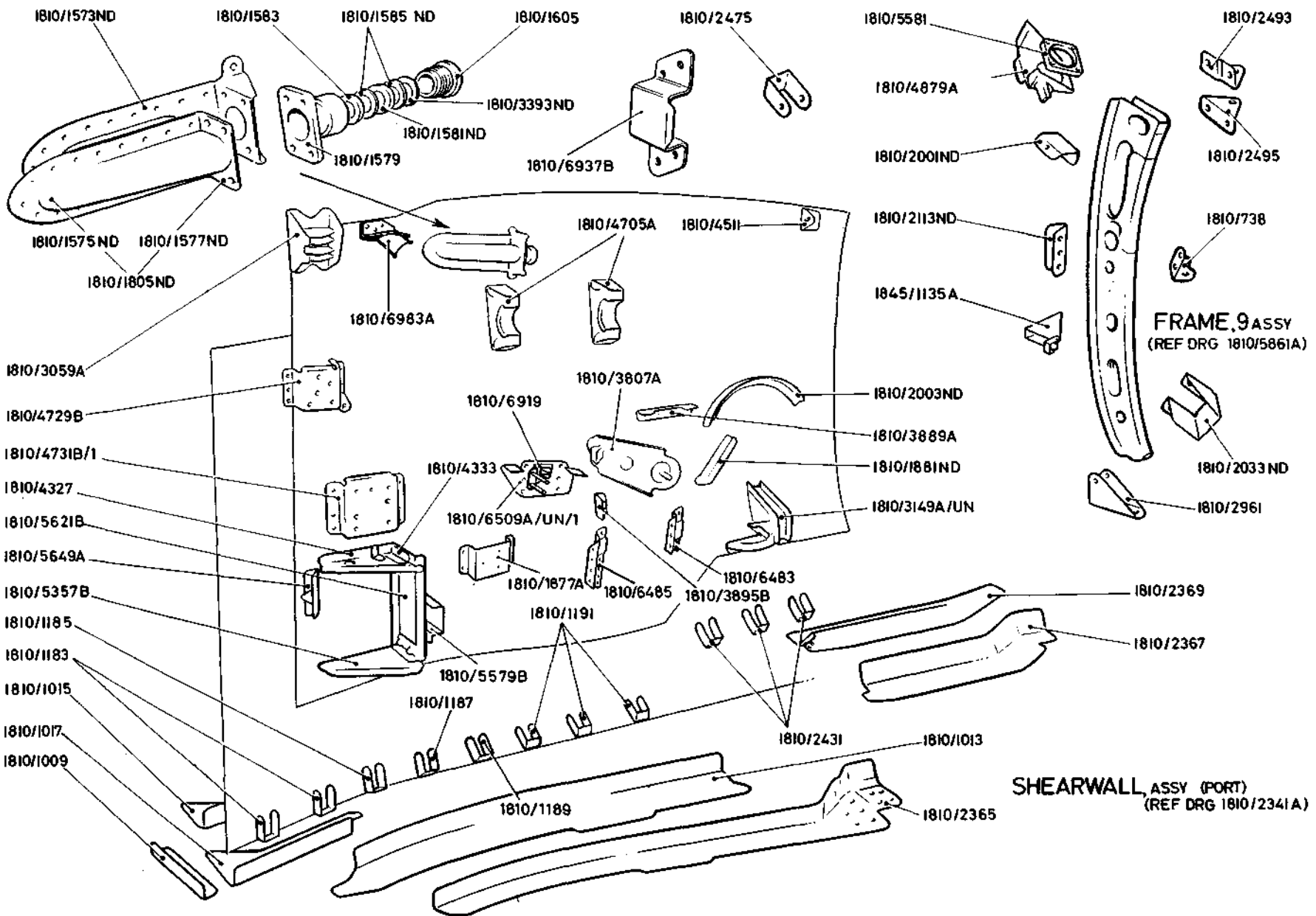
STRUCTURE. NOSEWHEEL WELL.  
(REF. DRG. 1810/2907 A.)

RESTRICTED

Gnat T. Mk. 1.

RESTRICTED

Plate JB.18.  
Issued with AL No.12



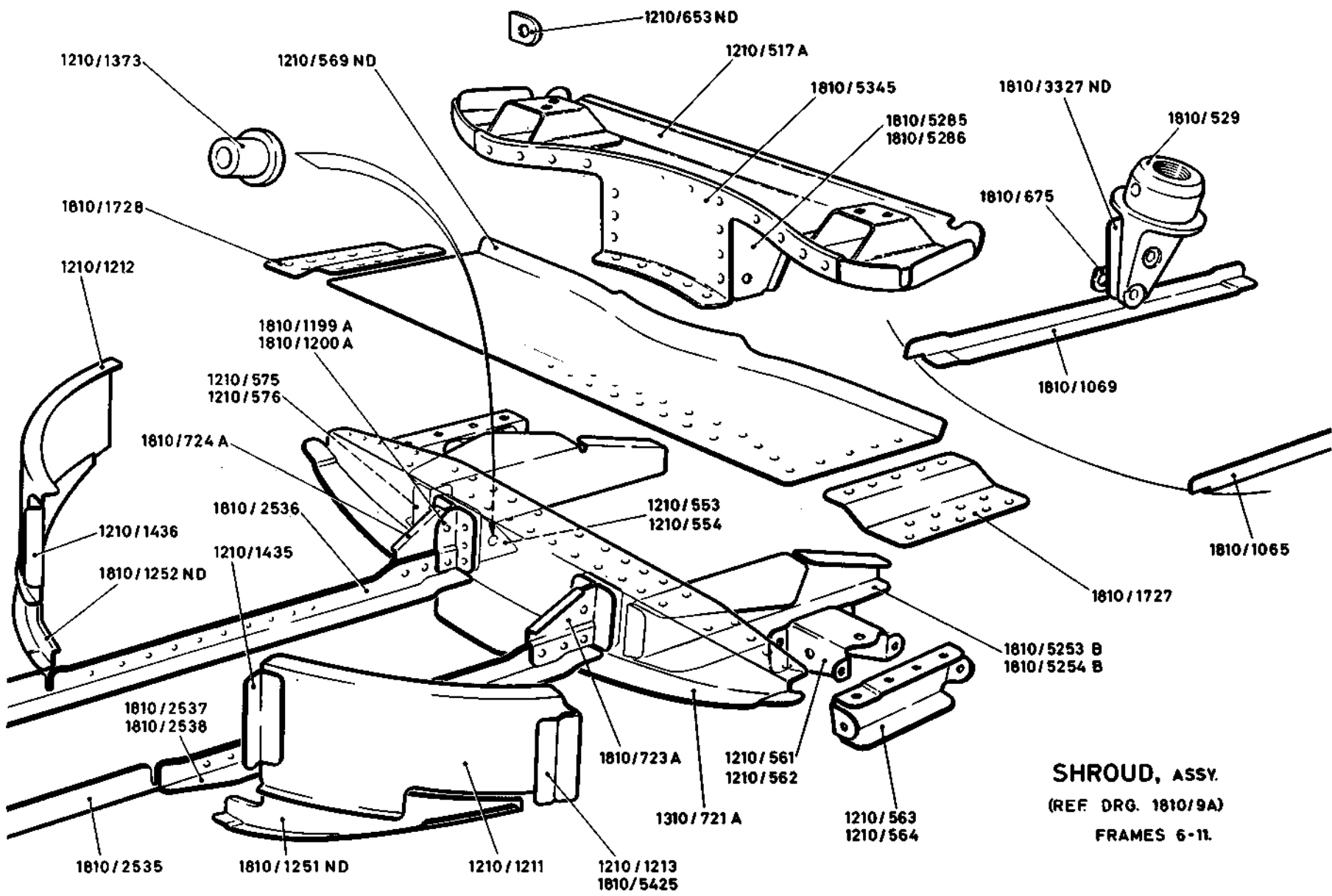
JB.19

FRONT FUSELAGE

JB.19

RESTRICTED





SHROUD, ASSY.  
(REF DRG. 1810/9A)  
FRAMES 6-11.

JB.21

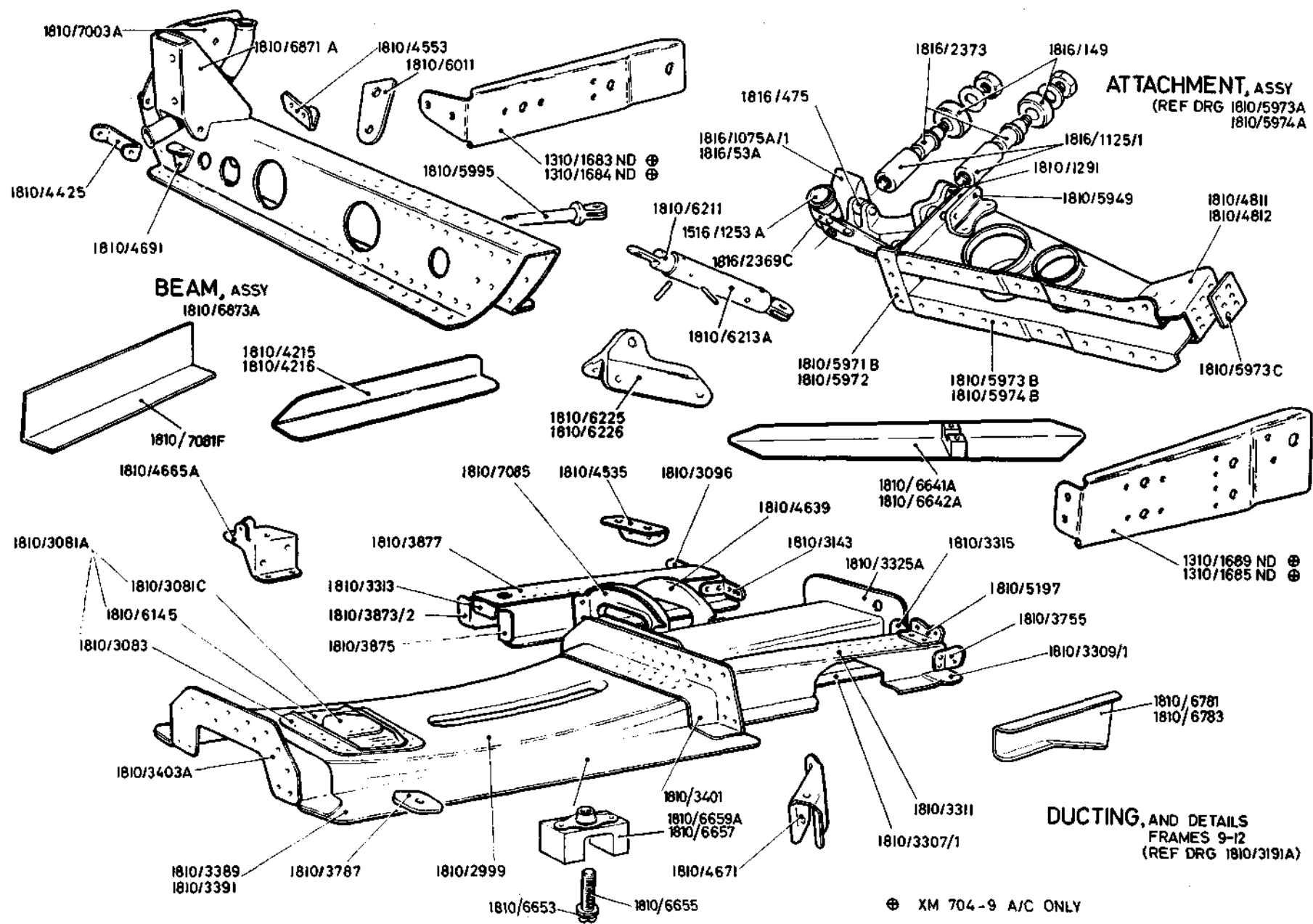
FRONT FUSELAGE

JB.21

RESTRICTED

**ATTACHMENT, ASSY**  
(REF DRG 1810/5973A  
1810/5974A)

**DUCTING, AND DETAILS  
FRAMES 9-12**  
(REF DRG 1810/3191A)



⊕ XM 704-9 A/C ONLY

JB.22

FRONT FUSELAGE

JB.22

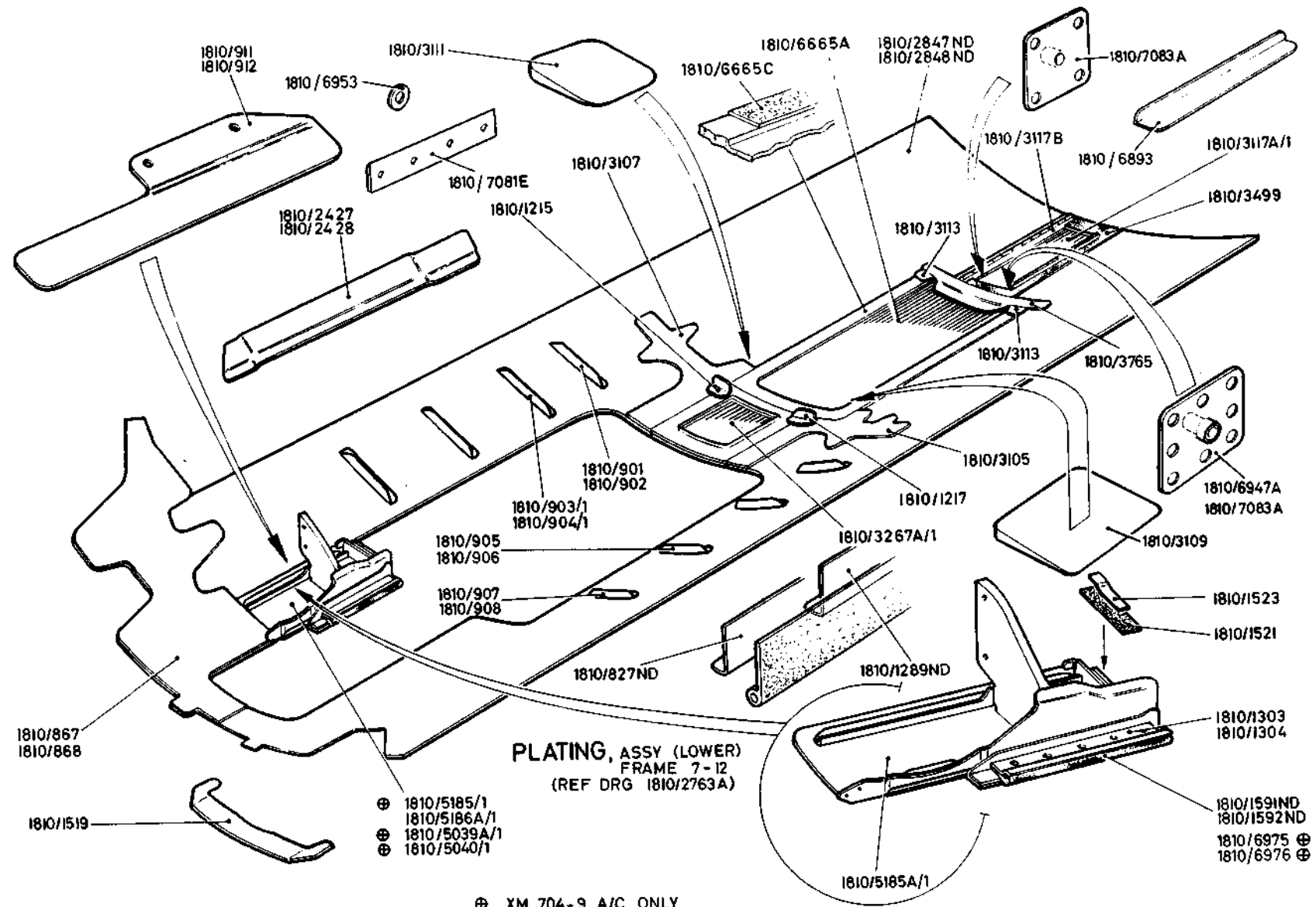
RESTRICTED

JB.23

FRONT FUSELAGE

JB.23

RESTRICTED



PLATING, ASSY (LOWER)  
FRAME 7-12  
(REF DRG 1810/2763A)

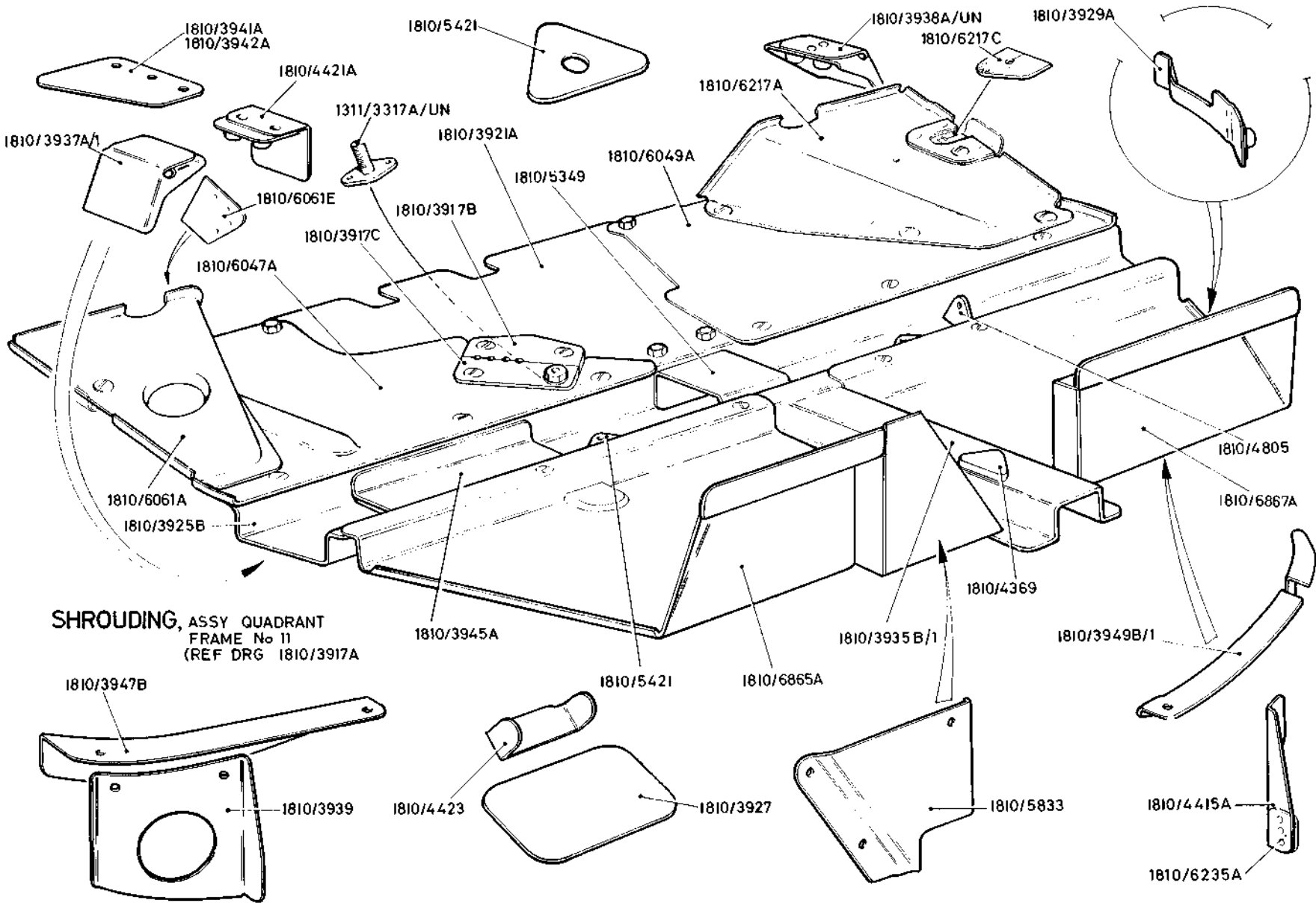
- ⊕ 1810/5185/1
- ⊕ 1810/5186A/1
- ⊕ 1810/5039A/1
- ⊕ 1810/5040/1

⊕ XM 704-9 A/C ONLY

Gnat T. Mk.1

RESTRICTED

Plate JB 24  
Issued with AL.No.8



JB.24

FRONT FUSELAGE

JB.24

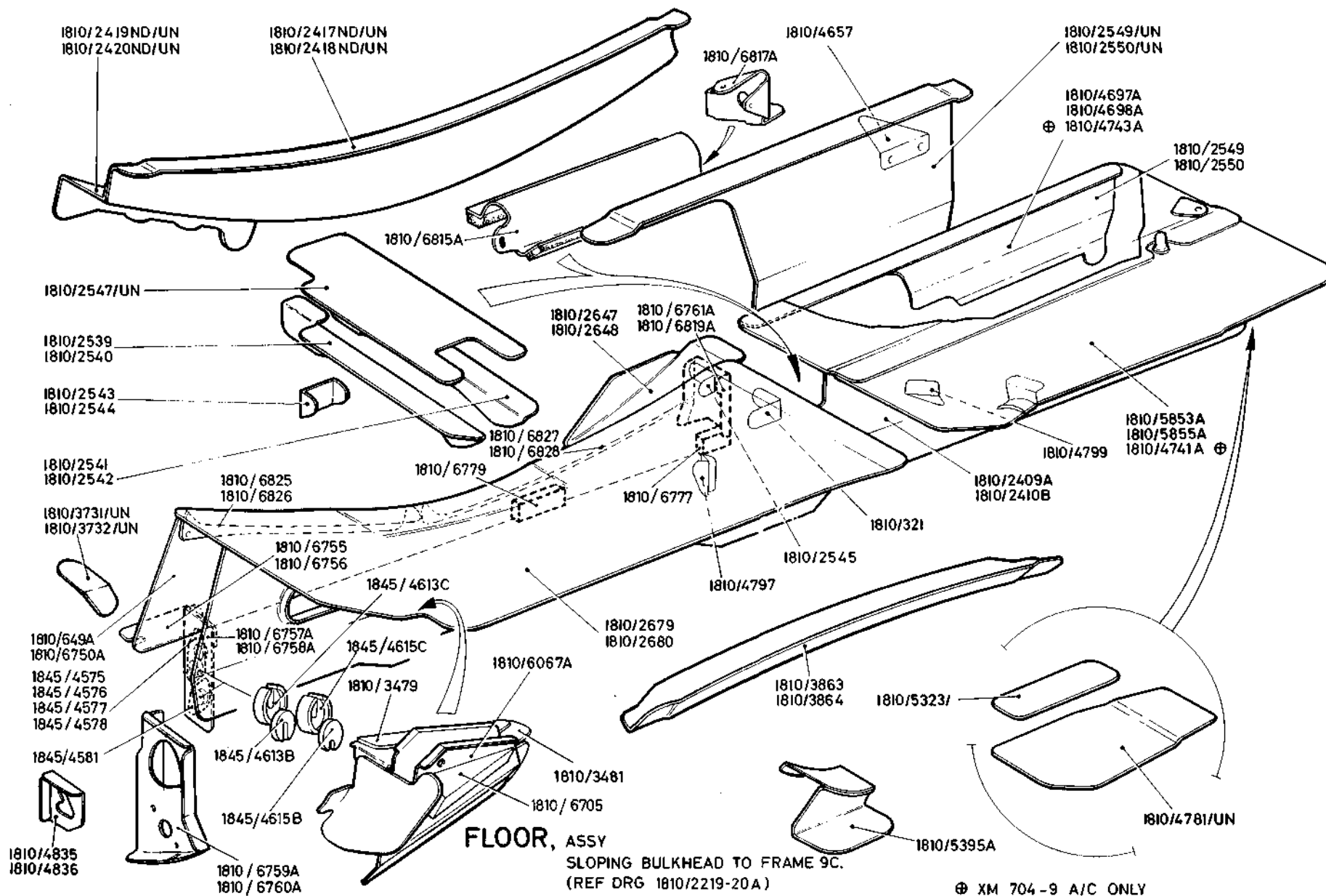
RESTRICTED

JB.25

FRONT FUSELAGE

JB.25

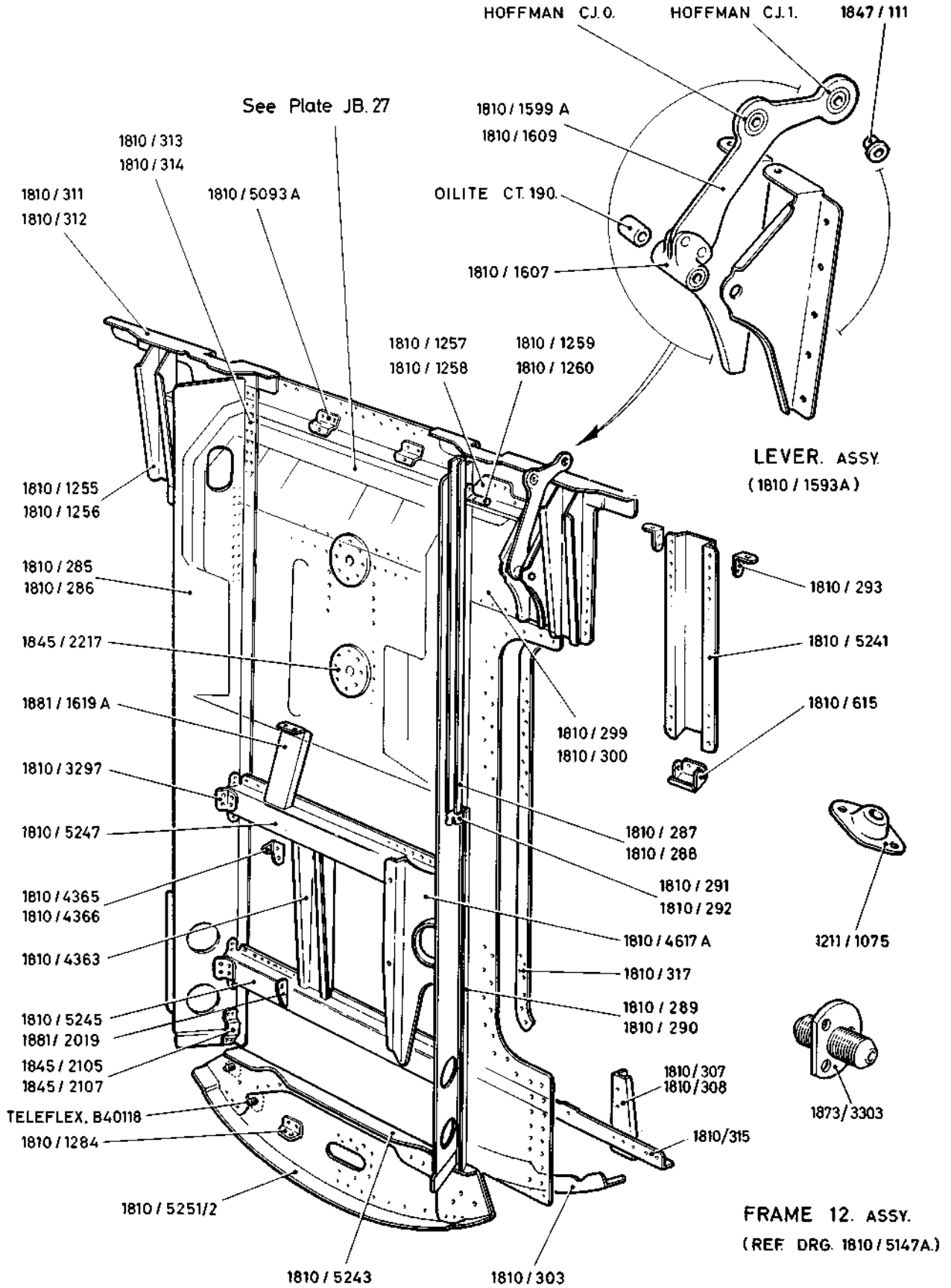
RESTRICTED

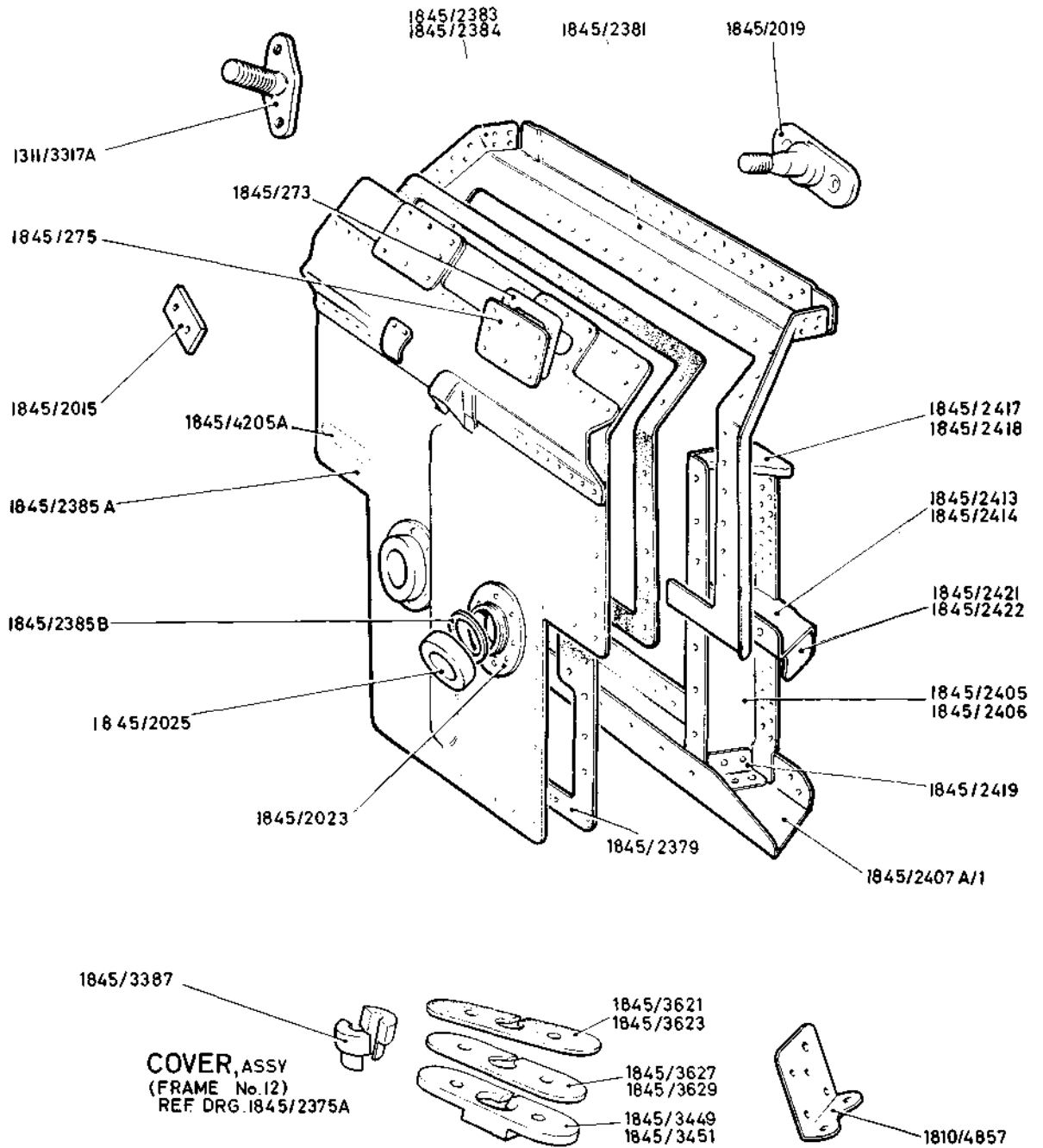


Gndt. T. Mk. I

RESTRICTED

Plate JB.25  
Issued with A.L.No.9

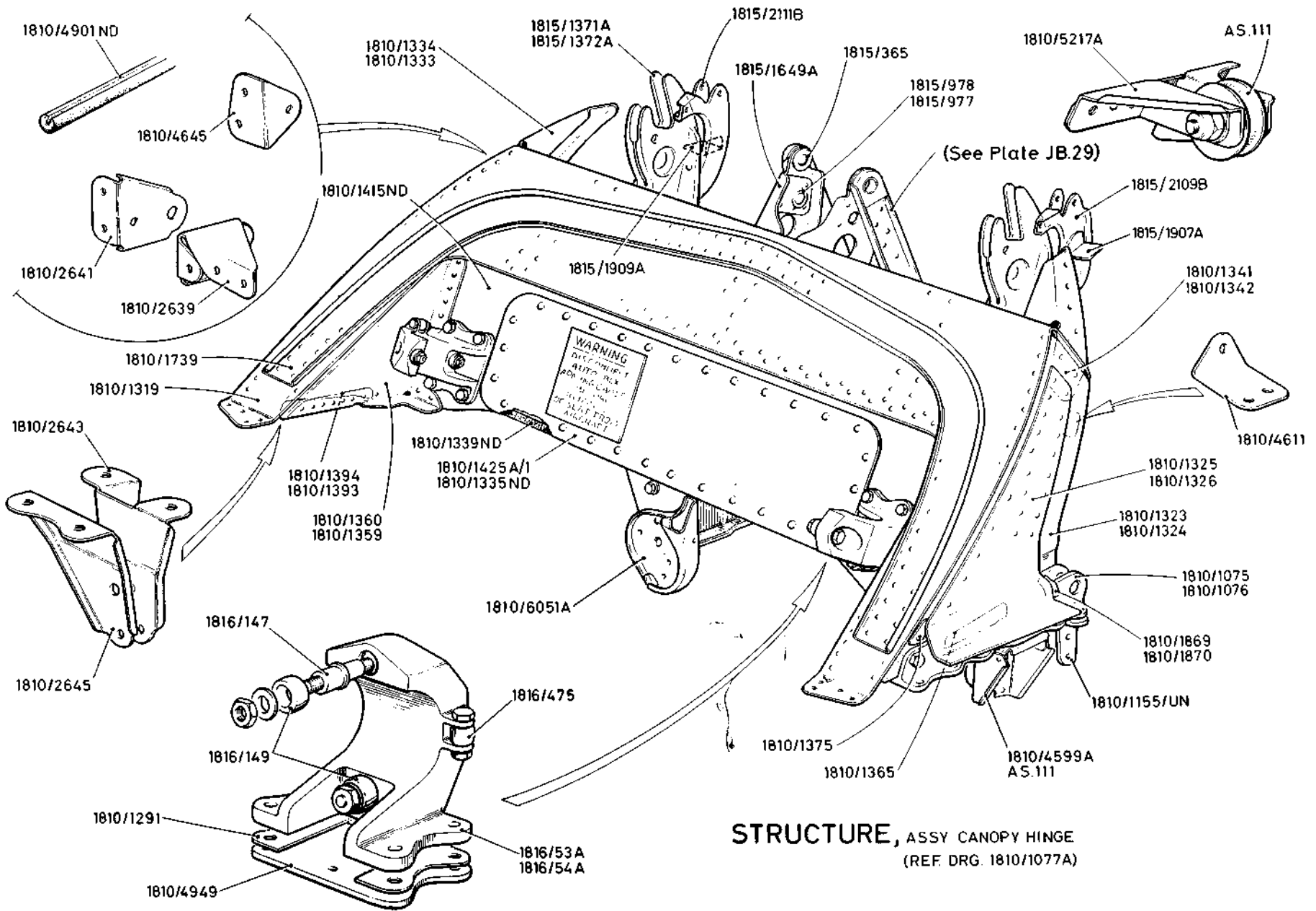




JB.28

FRONT FUSELAGE

JB.28



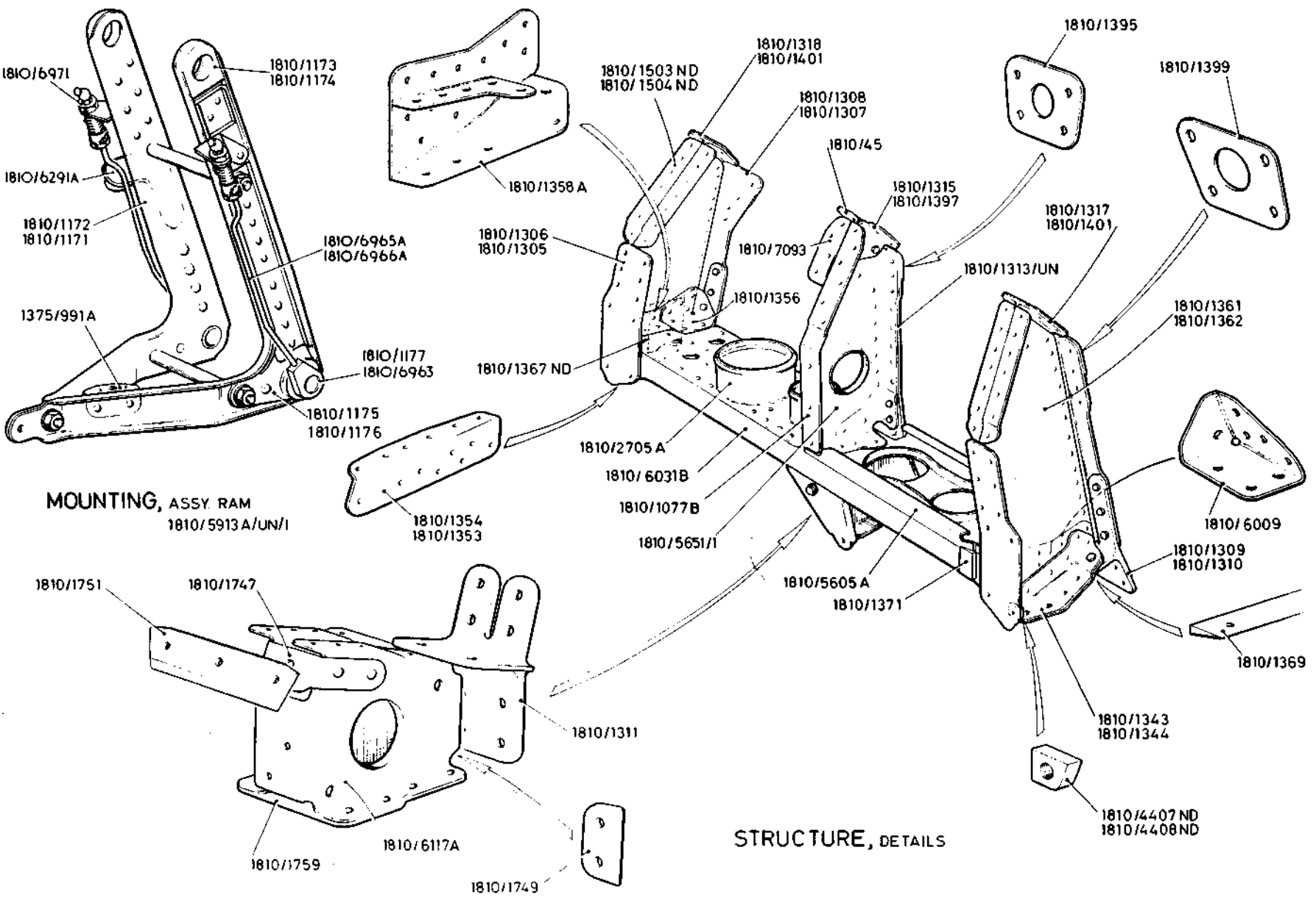
RESTRICTED

Gnat T.Mk.1

RESTRICTED

Plate JB.28

Issued with A.L. No.9



JB.29

FRONT FUSELAGE

JB.29

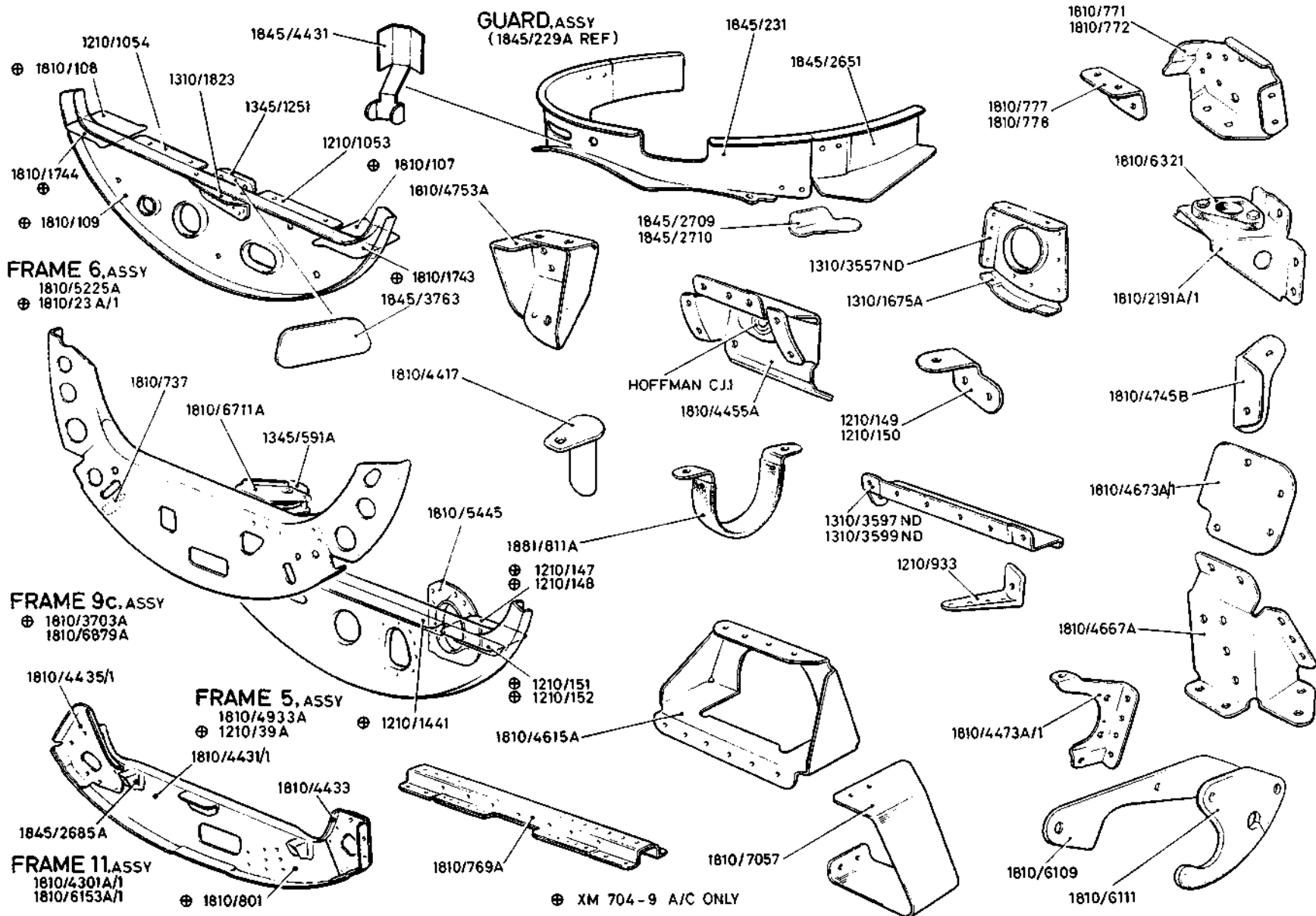
RESTRICTED

JB.31

FRONT FUSELAGE

RESTRICTED

JB.31



Gnat T.MK1.

RESTRICTED

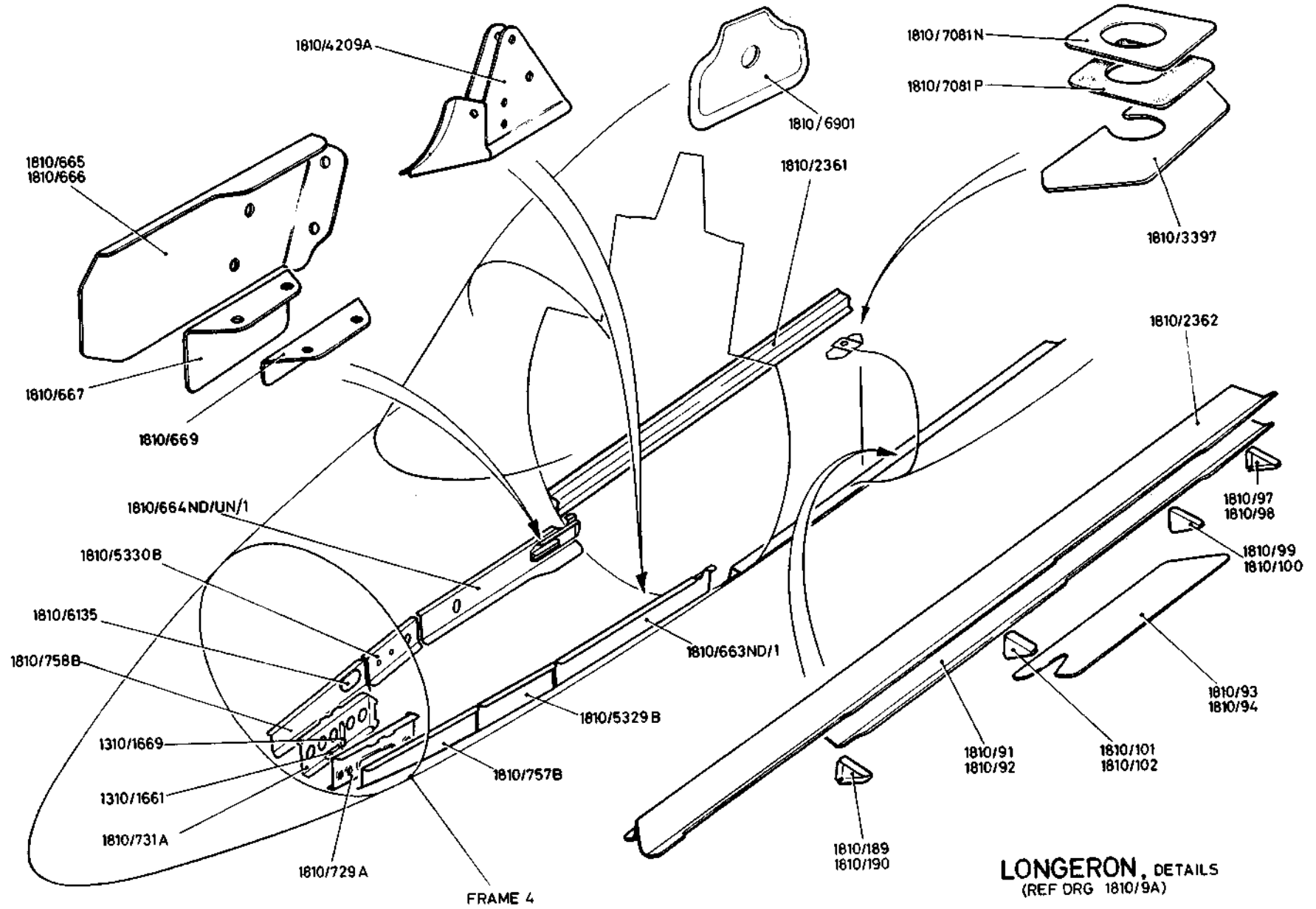
Plate JB.31  
Issued with AL.No.13

JB.32

FRONT FUSELAGE

JB.32

RESTRICTED



LONGERON, DETAILS  
(REF ORG 1810/9A)

Gnat T. Mk.1

RESTRICTED

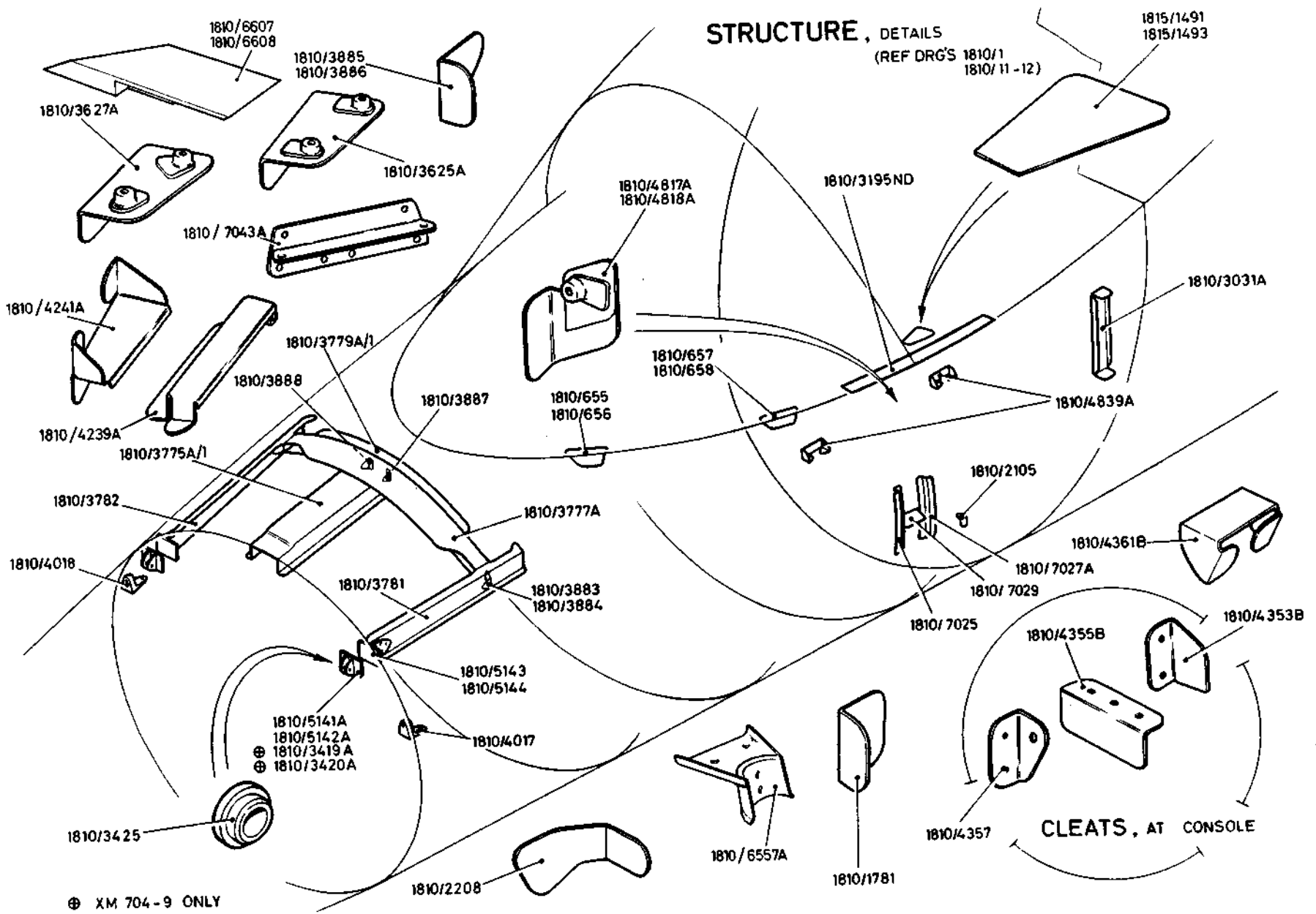
Plate JB 32  
Issued with AL.No16

JB.33

FRONT FUSELAGE

JB.33

RESTRICTED



Grnd T. Mk. 1

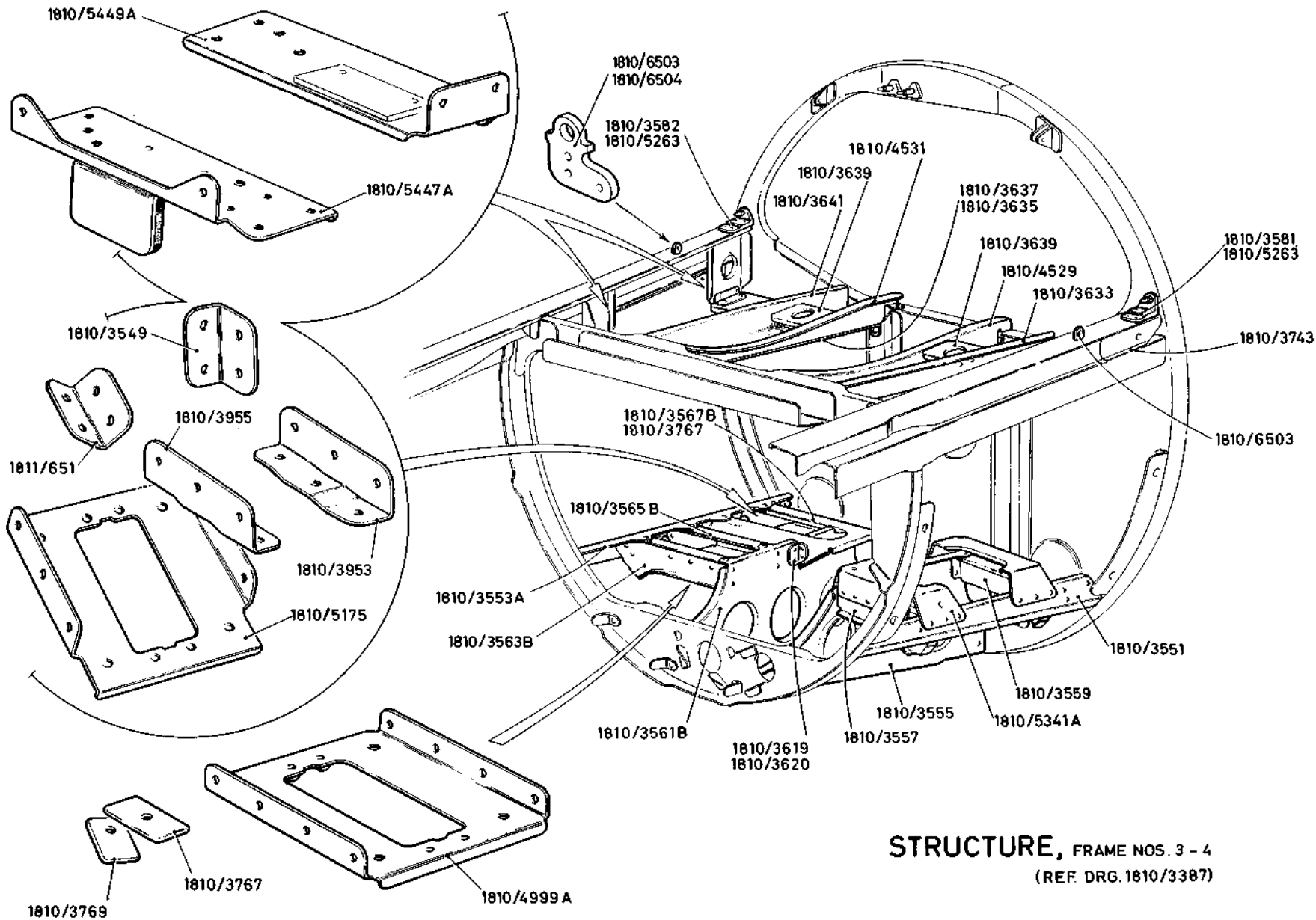
RESTRICTED

Plate JB.33  
Issued with AL No. 16

JB.34

FRONT FUSELAGE

JB.34



STRUCTURE, FRAME NOS. 3 - 4  
(REF DRG. 1810/3387)

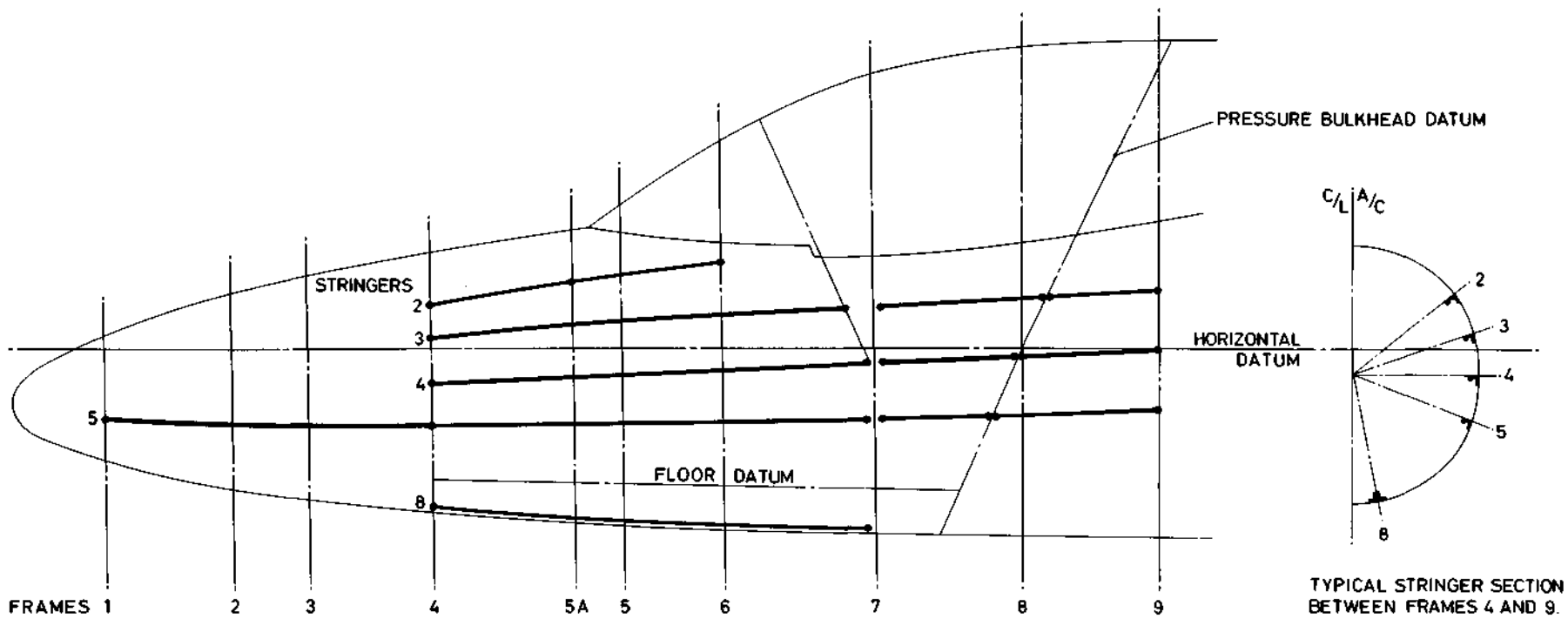


JB.36

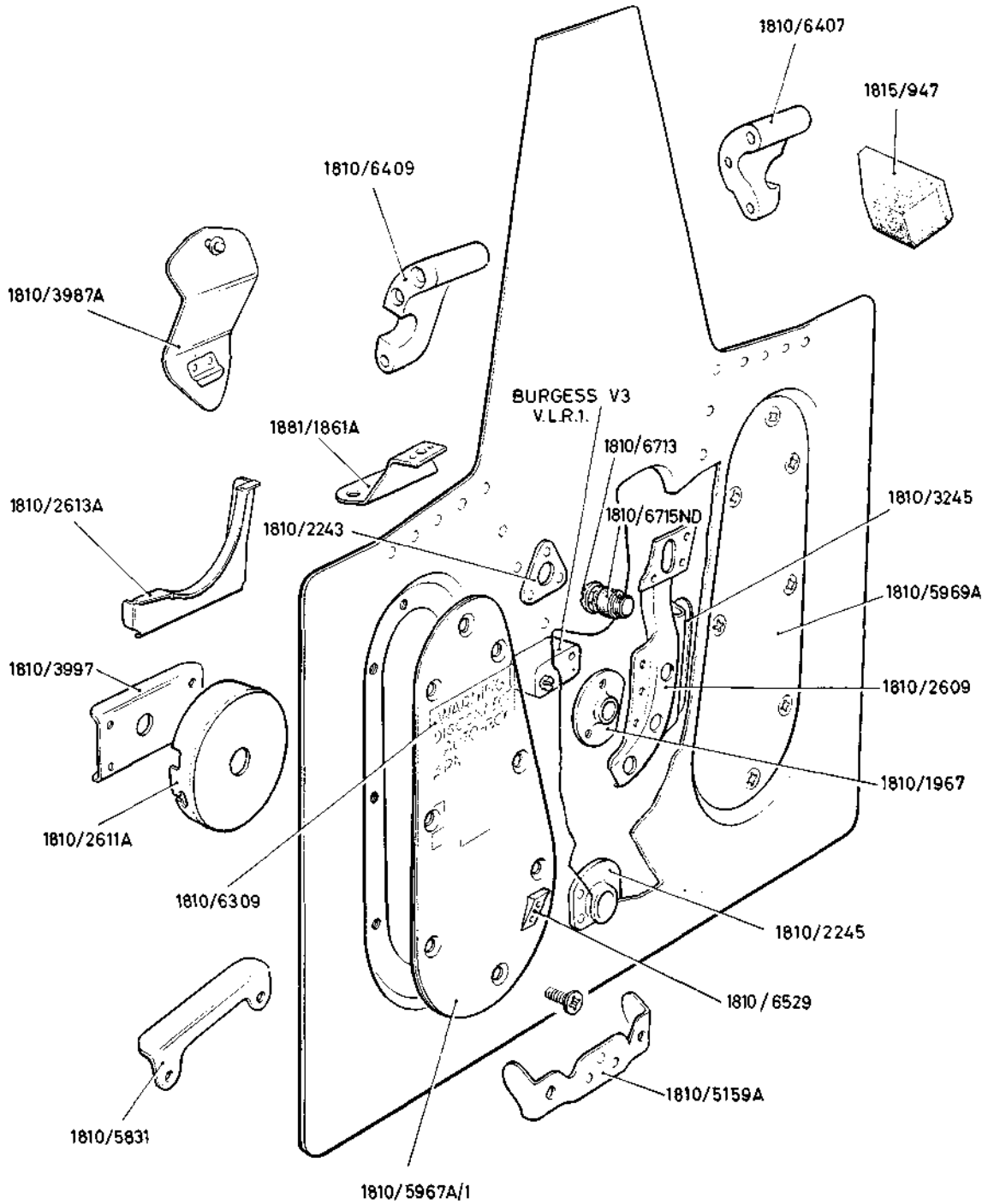
FRONT FUSELAGE

JB.36

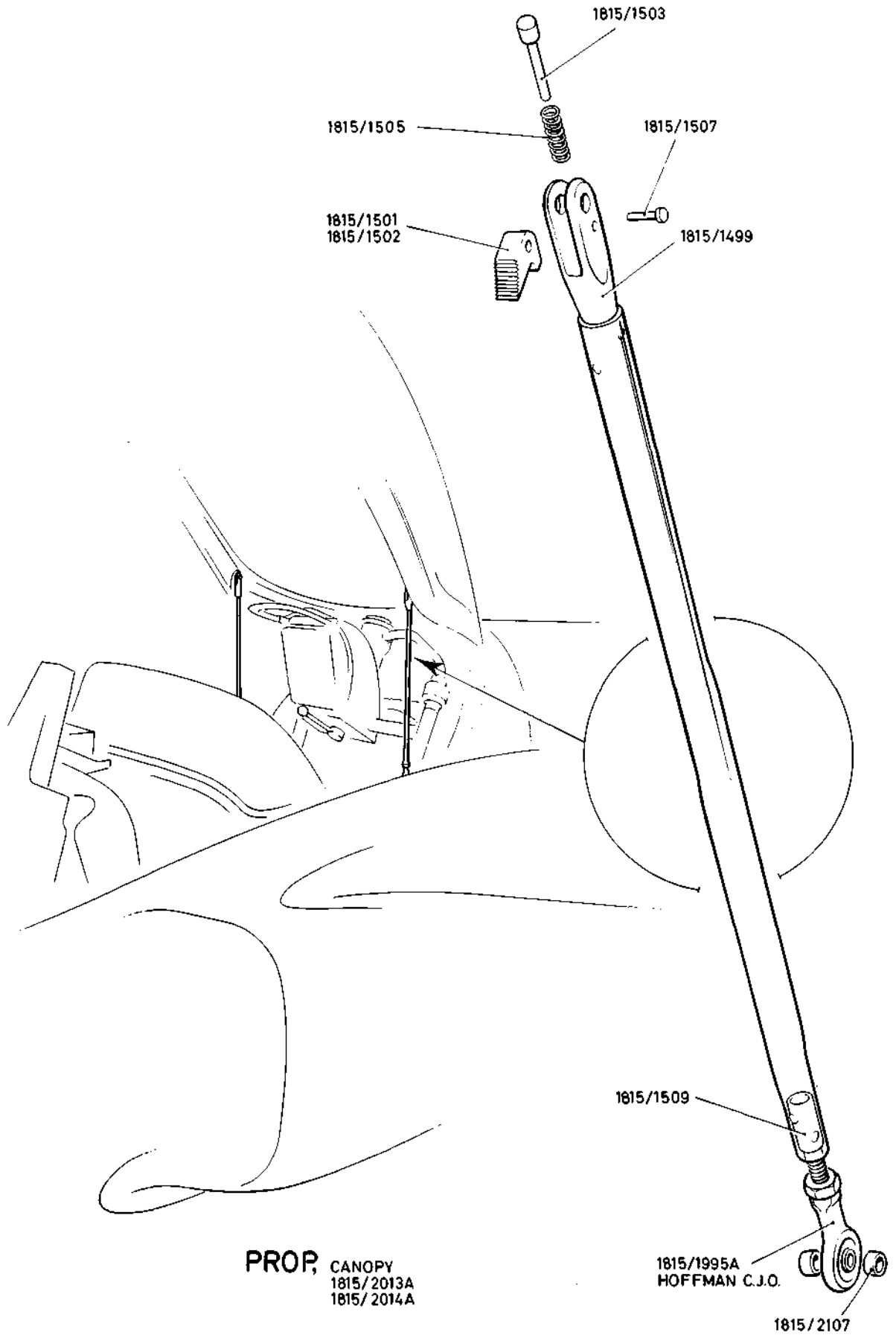
RESTRICTED



STRINGER, DIAGRAM  
(REF. DRG. 1810/11-12A)



**STRUCTURE, SUPPORT.**  
**CANOPY JETTISON MECHANISM.**  
 (REF DRG. 1810/3247A)

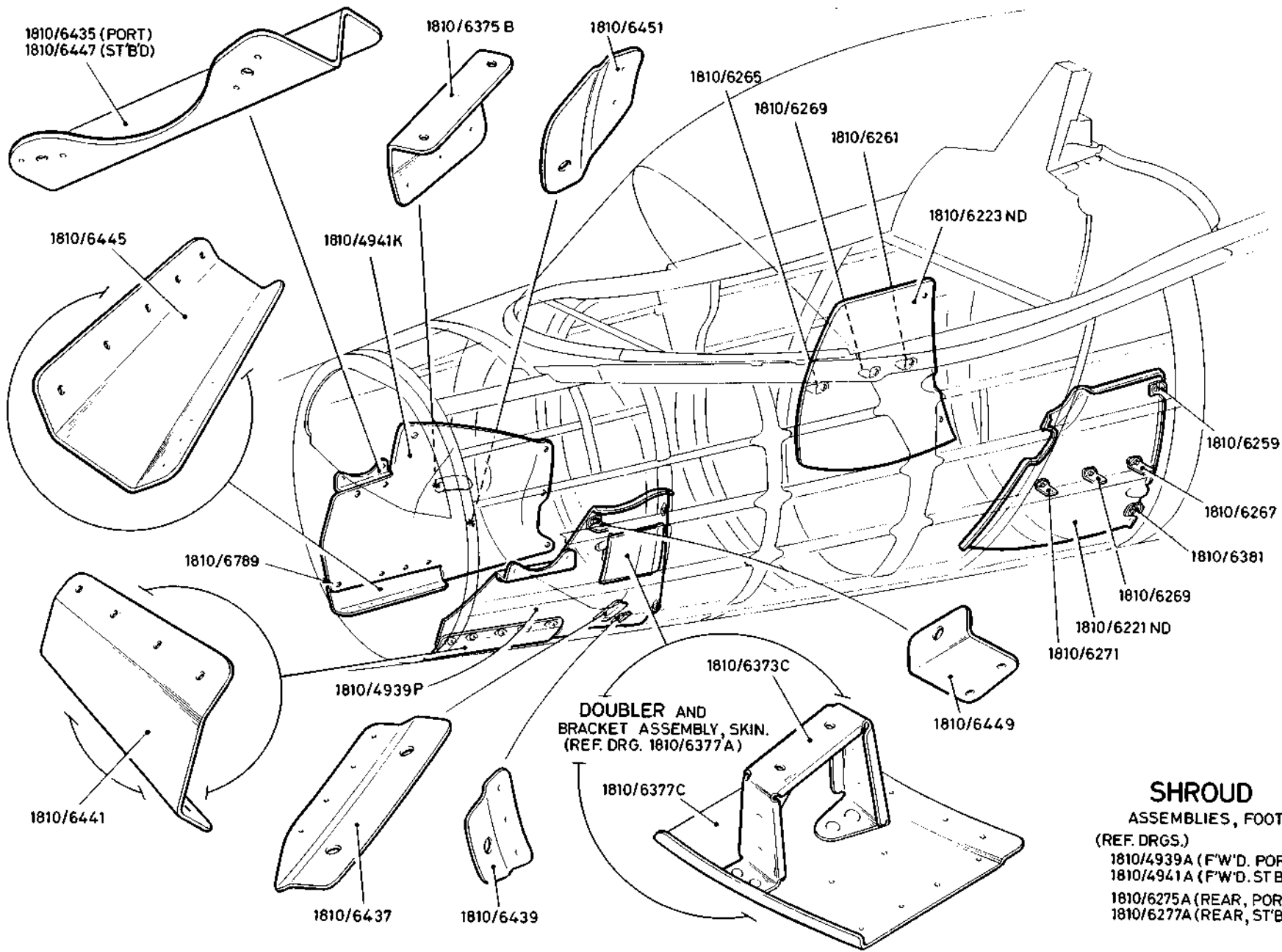


JB.39

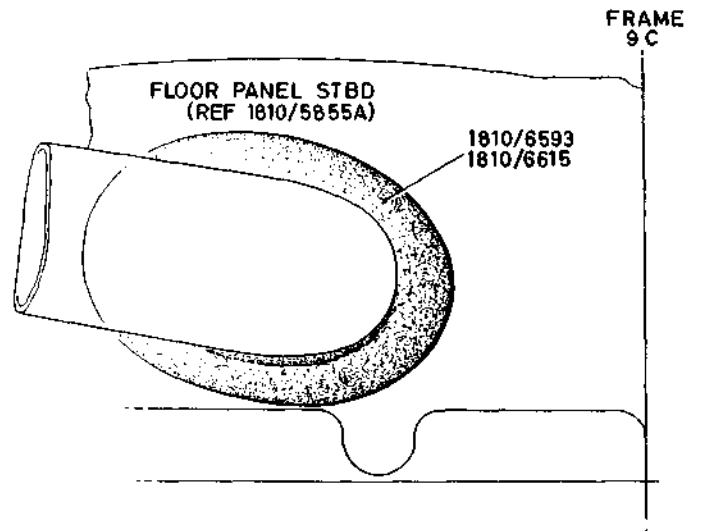
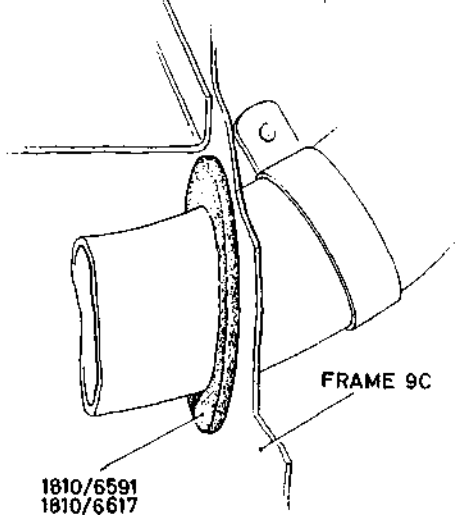
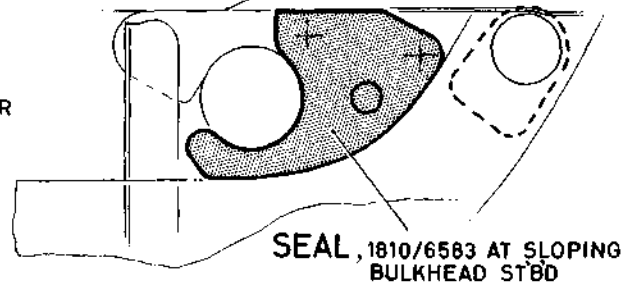
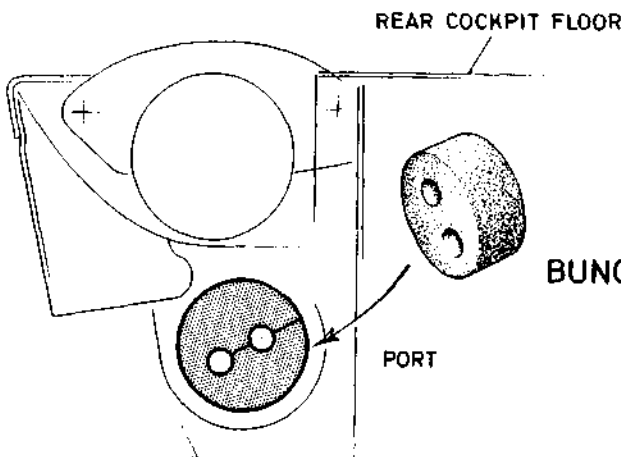
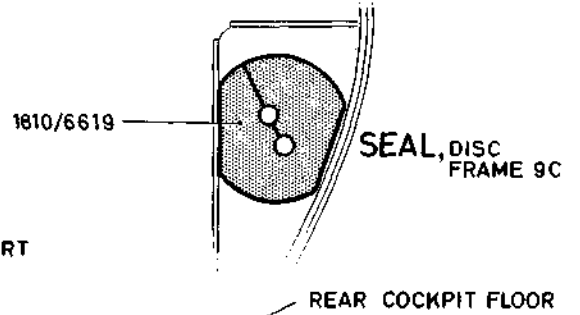
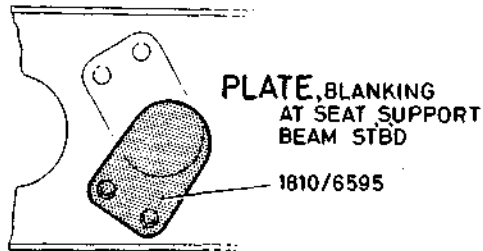
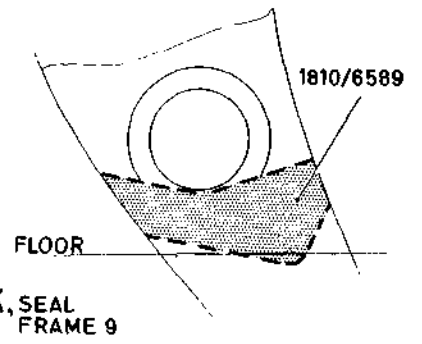
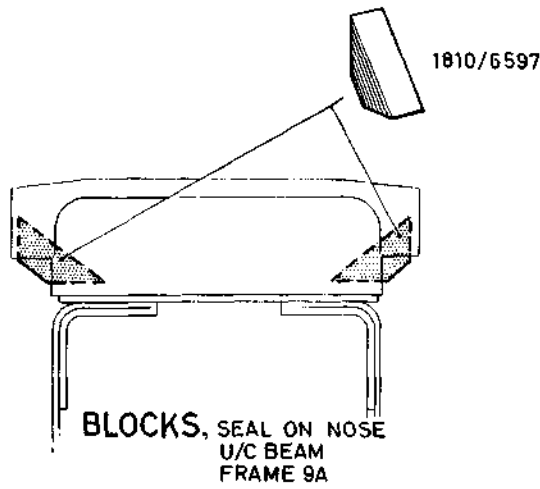
FRONT FUSELAGE

JB.39

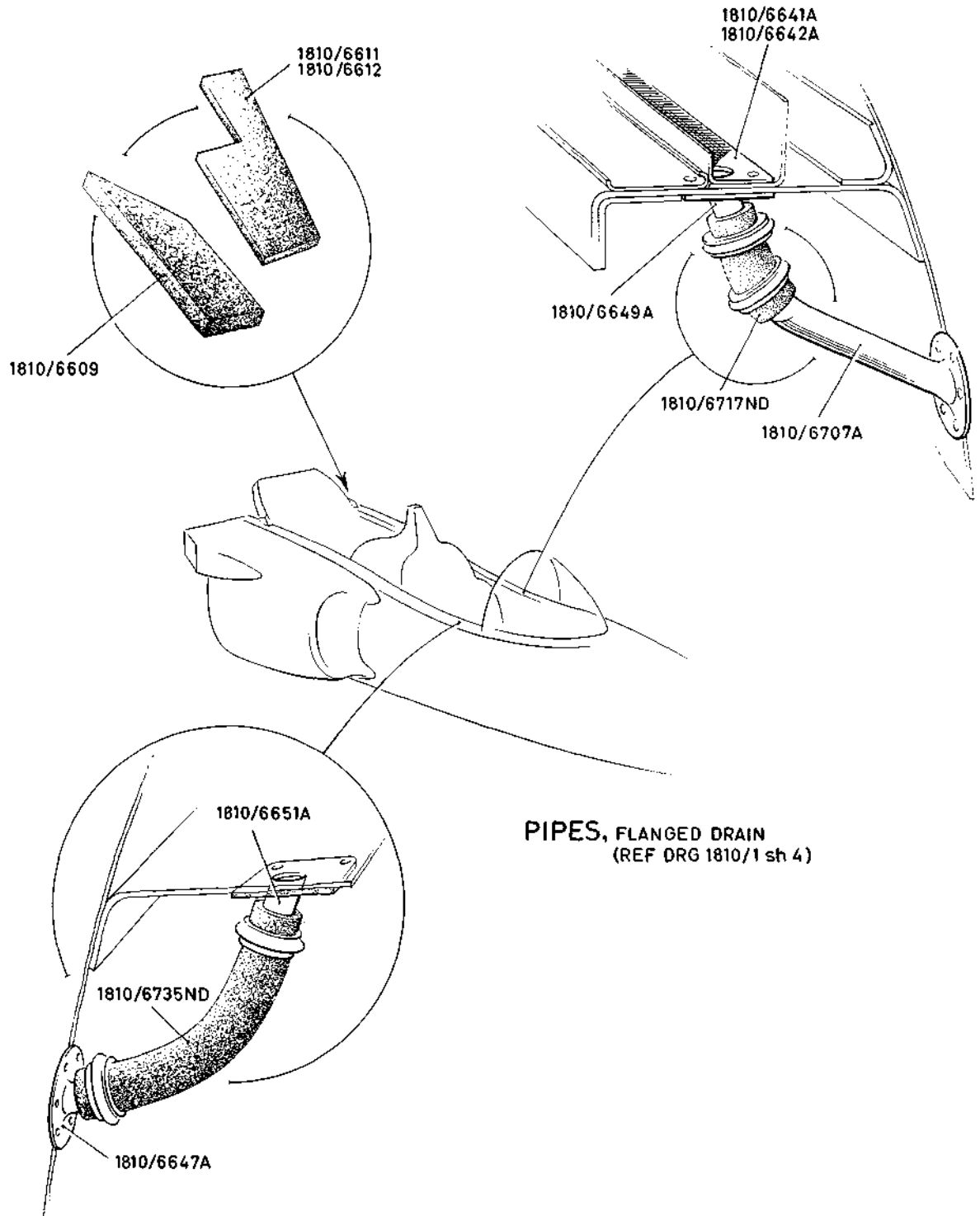
RESTRICTED



**SHROUD**  
ASSEMBLIES, FOOT.  
(REF. DRGS.)  
1810/4939A (F'W'D. PORT)  
1810/4941A (F'W'D. STBD)  
1810/6275A (REAR, PORT)  
1810/6277A (REAR, ST'BD)



SEALING, INSPECTION PILOTS FLOOR  
(REF DRG 1810/6123A)



This file was downloaded  
from the RTFM Library.

Link: [www.scottbouch.com/rtfm](http://www.scottbouch.com/rtfm)

Please see site for usage terms,  
and more aircraft documents.

