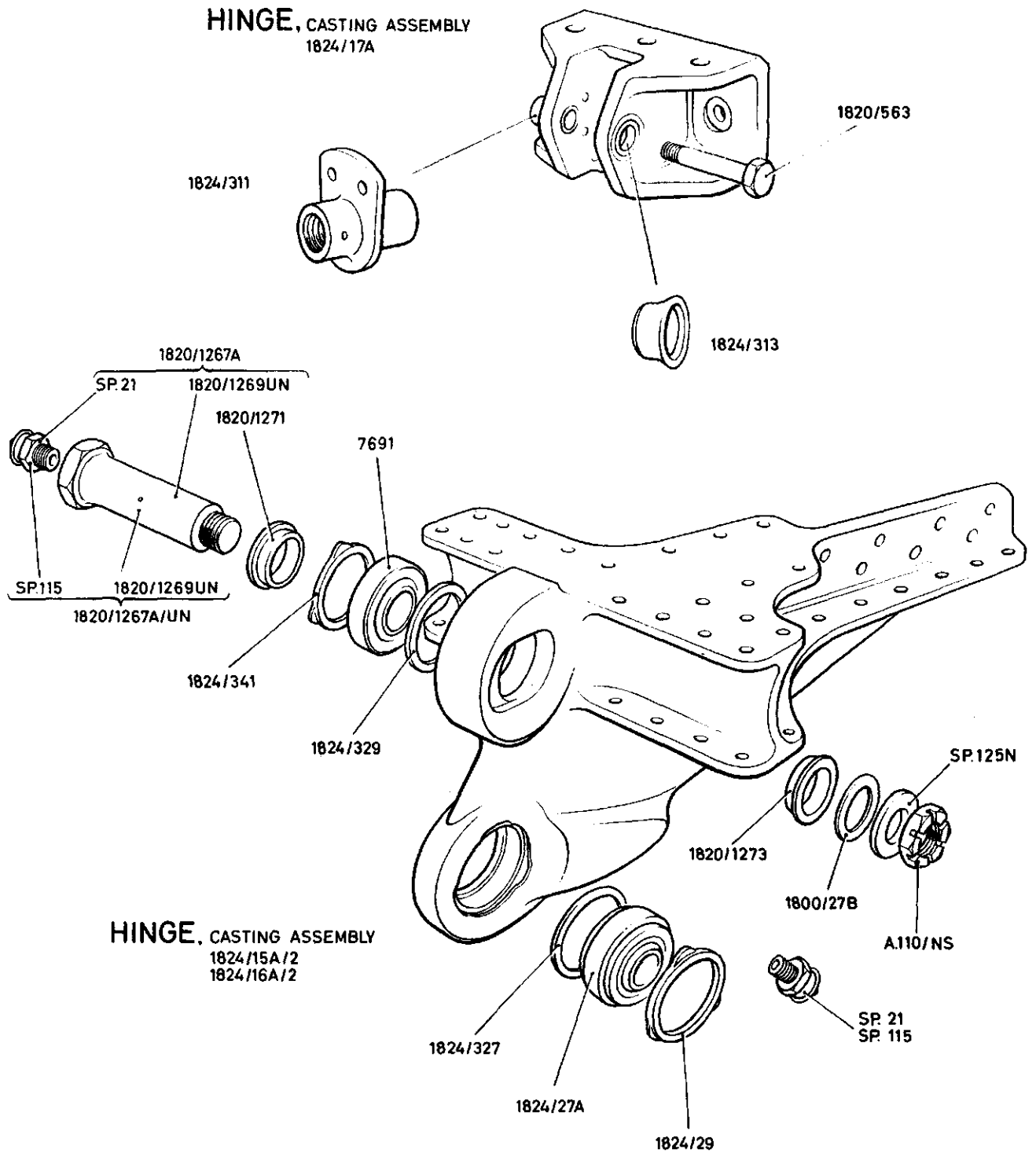


MAIN PLANE

AILERON

Issued with A.L. No. 12

| REF. No. | PART NUMBER | DESCRIPTION | No. OFF | MATL. SPEC. | CL. OF ST. | PLATE No. |
|--------------|---------------|--|------------|-------------|---------------|--------------|
| | | | | | M.R. L.M. | |
| | | | | | | |
| | | 1 2 3 4 5 | | | | |
| 121 | 1824/1A/1 | AILERON ASSY, PORT (Mod. 282) | 1 | — | A | KA.1 |
| 137 | 1824/1A/2 | AILERON ASSY, PORT (Mod. 337) | 1 | — | A | |
| 242 | 1824/1A/3 | AILERON ASSY, PORT (Mod. 406) | 1 | — | A | |
| 1443994 | 1824/1A/4 | AILERON ASSY, PORT (Mod. 643) | 1 | — | A | |
| 122 | 1824/1A/UN/1 | AILERON ASSY, PORT (Mod. 282) | 1 | — | A | |
| 140 | 1824/1A/UN/2 | AILERON ASSY, PORT (Mod. 327) | 1 | — | A | |
| 191 | 1824/1A/UN/3 | AILERON ASSY, PORT (Mod. 406) | 1 | — | A | |
| 1443995 | 1824/1A/UN/4 | AILERON ASSY, PORT (Mod. 643) | 1 | — | A | |
| 123 | 1824/2A/1 | AILERON ASSY, STARBOARD (Mod. 282) | 1 | — | A | |
| 139 | 1824/2A/2 | AILERON ASSY, STARBOARD (Mod. 337) | 1 | — | A | |
| 243 | 1824/2A/3 | AILERON ASSY, STARBOARD (Mod. 406) | 1 | — | A | |
| 1443997 | 1824/2A/4 | AILERON ASSY, STARBOARD (Mod. 643) | 1 | — | A | |
| 124 | 1824/2A/UN/1 | AILERON ASSY, STARBOARD (Mod. 282) | 1 | — | A | |
| 141 | 1824/2A/UN/2 | AILERON ASSY, STARBOARD (Mod. 337) | 1 | — | A | |
| 192 | 1824/2A/UN/3 | AILERON ASSY, STARBOARD (Mod. 406) | 1 | — | A | |
| 1443998 | 1824/2A/UN/4 | AILERON ASSY, STARBOARD (Mod. 643) | 1 | — | A | |
| | | Spares for:— | | | | |
| | 1824/175 | BLOCK, sealing | 1 | — | MR | KA.1 |
| | 1824/175/UN | BLOCK, sealing | 1 | — | MR | |
| | 1824/309 | BRACKET, nose rib No. 4 | 1 | — | MR | KA.1 |
| | 1824/1F | BUTTSTRAP, port | 1 | — | MR | KA.1 |
| | 1824/2F | BUTTSTRAP, starboard | 1 | — | MR | KA.1 |
| | 1824/281 | CAP, nose | 1 | — | MR | KA.1 |
| | 1824/133 | CHANNEL, reinforcing | 1 | — | MR | KA.1 |
| | 1824/135 | CHANNEL, reinforcing, port | 1 | — | MR | KA.1 |
| | 1824/136 | CHANNEL, reinforcing, starboard | 1 | — | MR | KA.1 |
| | 1824/339 | CLEAT (Mod 337) | 1 | — | MR | KA.1 |
| | 1824/141 | DIAPHRAGM | 1 | — | MR | KA.1 |
| | 1824/143 | DIAPHRAGM | 1 | — | MR | KA.1 |
| | 1824/145 | DIAPHRAGM | 1 | — | MR | KA.1 |
| 5476 | 1824/1E | DOOR assy, access, port | 1 | — | MR/C | KA.1 |
| 3230 | 1824/1E/UN | DOOR assy, access, port (Pre-mod 525) | 1 | — | MR/C | |
| 5477 | 1824/2E | DOOR assy, access, starboard | 1 | — | MR/C | KA.1 |
| 3231 | 1824/2E/UN | DOOR assy, access, starboard (Pre-mod 525) | 1 | — | MR/C | |
| 3232 | 1824/1D | DOOR, access, hinge pin (Pre-mod 525) | 1 | — | MR/C | KA.1 |
| | | Attachment parts for 1824/1D:— | | | | |
| 28D/13132 | AS.3297-1C | Bolt | 5 | — | C | |
| 28DU/9480269 | A.173-1D | Bolt | 5 | — | C | |
| | 1824/15A/2 | HINGE, casting assy (Mod. 406) | 1 | — | MR | KA.2 |
| | 1824/15A/UN/2 | HINGE, casting assy (Mod. 406) | 1 | — | MR | |
| | 1824/16A/2 | HINGE, casting assy (Mod. 406) | 1 | — | MR | KA.2 |
| | 1824/16A/UN/2 | HINGE, casting assy (Mod. 406) | 1 | — | MR | |
| | | Spares for:— | | | | |
| 2399 | 1824/27A | BEARING assy | 1 | — | MR/C | KA.2 |



This file was downloaded
from the RTFM Library:

Link: www.scottbouch.com/rtfm

Please see site for usage terms,
and more aircraft documents.

