

ALIGHTING GEAR
MAIN UNDERCARRIAGE

Ref. No.	Part No.	Description	No. off	Matl. Spec.	Cl. of St.	Plate and Illust'n No.
					M.R.	
		1 2 3 4				
		UNDERCARRIAGE, ASSEMBLIES, MAIN, PORT AND STARBOARD (1 & 2K2751) Spares for:—				
27QM/71119	DOWTY 2.00211.005	Absorber, shock (Mod. 1967)	1	—	A	CA2/1
536	7K2751	BEAM, BEARING AND CAP, MAIN UNDERCARRIAGE, INBOARD, PORT, GROUP	1	—	A	CA1/2
537	8K2751	BEAM, BEARING AND CAP, MAIN UNDERCARRIAGE, INBOARD, STARBOARD, GROUP	1	—	A	CA1/3
6587	3K2751 17K2751 16K2751 15K2751	Spares for:— Bolt, cap	4	S96	C	CA1/4
		Bolt, stud, for cap	2	—	MR	CA1/4A
		Nut, special	4	S94	MR	CA1/5
		Washer	4	L72	MR	CA1/6
4591	4K2718	Bolt, special for cap	5	S96	MR	CA1/7
4592	10K2718	Bolt, 3/8" BSF	26	S96	C	CA1/8
28M/4095808	11K2718	Bolt, 3/8" BSF	22	S96	C	CA1/9
28M/4095892	AGS2001/J1	Nut, stiff, 3/8" BSF	48	—	C	
28P/1202572	A27/NS	Nut, slotted	5	—	C	
28W/9419477	SP90/E9	Pin, split (SP9/E10)	5	—	C	
28W/9419489	SP15/J	Washer	26	—	C	
28W/9419479	SP16/J	Washer	33	—	C	
4599	SP15/N	Washer	5	—	C	
	9K2718	Washer (Make from SP16/N)	5	—	C	CA1/10
534	25F9987	BEAM, BEARING AND CAP, MAIN UNDERCARRIAGE, OUTBOARD, PORT, GROUP	1	—	A	CA1/11
535	27F9987	BEAM, BEARING AND CAP, MAIN UNDERCARRIAGE, OUTBOARD, STARBOARD, GROUP	1	—	A	CA1/12
6589	15F9987	Spares for:— Bolt, for cap	4	S99	C	CA1/13
1297	5K2718	Bolt, stud, for cap	2	—	C	CA1/14
1295	97F7564	Bush, bearing	1	BSS/218	C	CA1/15
28N/9156370	SP/21	Nipple, grease	1	—	C	CA1/16
28M/4199609	A27/QC	Nut	4	—	C	
28P/1220820	SP90/G10	Pin, split (SP9/G12)	4	—	C	
1296	37F7564	Spigot	1	S1	C	CA1/17
28W/9419481	SP15/Q	Washer	4	—	C	CA1/18
28D/1213447	A59/6J	Attachments—Beams (25 & 27F9987) Bolt	17	—	C	
28D/20184	A59/7J	Bolt	23	—	C	
28D/9435053	A59/8J	Bolt	1	—	C	
	8F9987	Bolt	1	S96		CA1/19
	13F9987	Bolt	1	S96		CA1/20
	21F8702	Bolt (Make from A59/7J)	3	—		CA1/21
	35F9987	Bolt (Make from A59/9J)	1	—		CA1/22
	30F9987	Bolt	1	S96		CA1/23
	8JSS4167	Bolt, csk.	2	—		CA1/24

ALIGHTING GEAR
MAIN UNDERCARRIAGE

Ref. No.	Part No.	Description	No. off	Matl. Spec.	Cl. of St.	Plate and Illust'n No.	
					M.R.		
		1	2	3	4		
		BEAM, BEARING AND CAP, PORT AND STARBOARD (25 & 27F9987) (Cont'd.)					
		Attachments—Beams (25 & 27F9987) (Cont'd)					
	37F9987	Bracket, attachment, port	1	L72		CA1/25	
	36F9987	Bracket, attachment, starboard	1	L72		CA1/26	
28M/4095932	A24/PC	Nut, castle	3	—	C		
28W/9419477	SP15/J	Washer, for bolts (A59/7J and 21F8702) ...	26	—	C		
28W/9419489	SP16/J	Washer	2	—	C		
28W/9419492	SP16/P	Washer	1	—	C		
	10F9587	Washer, chamfered	3	—		CA1/27	
	14F8702	Washer	2	L72		CA1/28	
	24F8702	Washer, for bolts A59/6J & A59/8J)	18	L72		CA1/29	
	31F9987	Washer, shim, 1.06" dia. x 0.02"	1	L72		CA1/30	
4575	11K2751	BEAM, BEARING, DRAG LINK, INBOARD, .. PORT, GROUP	1	—	A	CA1/31	
4576	12K2751	BEAM, BEARING, DRAG LINK, INBOARD, .. STARBOARD, GROUP	1	—	A	CA1/32	
		Spares for:--					
6588	4K2751	Bolt, cap	4	S96	C	CA1/33	
28M/4199609	A27/QC	Nut	4	—	C		
28W/9419481	SP15/Q	Washer	4	—	C		
		Attachments—Beams (11 & 12K2751)					
	12K2718	Bolt	12	S96	MR	CA1/34	
	13K2718	Bolt	17	S96	MR	CA1/35	
	18K2751	Bolt (May be made from 18K2718)	3	S96		CA1/36	
	18K2718	Bolt	3	S96	MR	CA1/37	
	19K2718	Bolt	3	S96	MR	CA1/38	
1433418	24K2718	Bolt	2	S96	C	CA1/39	
28M/1202770	AGS2001/G1	Nut, stiff	31	—	C		
28M/9129449	A27/LS	Nut, slotted	4	—	C		
28P/1202592	SP90/E9	Pin, split (SP9/E10)	9	—	C		
28W/9419476	SP15/G	Washer	4	—	C		
28W/9419477	SP15/J	Washer	29	—	C		
28W/9419478	SP15/L	Washer	26	—	C		
4600	17K2718	Washer (Make from SP16/L)	4	—	C	CA1/40	
4573	28F8703	BEAM, BEARING, DRAG LINK, OUTBOARD, .. PORT, GROUP	1	—	A	CA1/41	
4574	31F8703	BEAM, BEARING, DRAG LINK, OUTBOARD, .. STARBOARD, GROUP	1	—	A	CA1/42	
		Spares for:--					
6590	27F8703	Bolt, cap	4	S99	C	CA1/43	
	6K2718	Bolt, stud	2	S96	MR	CA1/44	
1301	99F7564	Bush, bearing	1	BSS/369	C	CA1/45	
28N/9156370	SP/21	Nipple, grease	1	—	C	CA1/46	
28M/4095949	A27/NC	Nut	4	—	C		
28W/9419479	SP15/N	Washer	4	—	C		
		Attachments—Beams (28 & 31F8703)					
28D/1213760	A30/5G	Bolt	13	—	C		
28D/1213761	A30/6G	Bolt	10	—	C		
	18F8703	Bolt (Make from A30/4J)	3	—		CA1/47	
	37F8703	Bolt	3	S96		CA1/48	

VULCAN Mk. 2

ALIGHTING GEAR
MAIN UNDERCARRIAGE

Page CA. 3

Ref. No.	Part No.	Description	No. off	Matl. Spec.	Cl. of St.	Plate and Illust'n No.
					M.R.	
		1 2 3 4				
		BEAM, BEARING, DRAG LINK, OUTBOARD (28 & 31F8703) (Cont'd)				
		Attachments—Beams (28 & 31F8703) (Cont'd)				
28P/1202572	SP90/E9	Pin, split	3	—	C	
28M/4095892	A27/NS	Nut	3	—	C	
28W/9419476	SP15/G	Washer	23	—	C	
28W/9419489	SP16/J	Washer	3	—	C	
28W/9419479	SP15/N	Washer	3	—	C	
	19F8703	Washer (Make from SP16/N)	3	—		CA1/49
	19K2751	Bolt, shear, u/c side load strut	2	S99		CA2/50
	32F9987	Bush, for side load strut	1	S96		CA2/51
	24K2702	Brush, bearing, main beam, inboard, 6-3/4" x ... 4-1/4" long	1	BSS/369	MR	CA1/52
1305	25K2702	Bush, bearing, drag link, inboard, 3-3/4" dia. x ... 3-3/4" long	1	BSS/369	C	CA1/53
27G/4168	DUNLOP AH.50723	Brake, front, port, inner and starboard outer	1	—	A	CA2/54
27G/4169	DUNLOP AH.50724	Brake, front, port, outer and starboard inner	1	—	A	CA2/55
27G/4219	DUNLOP AH.51711	Brake, rear, port inner and starboard outer	1	—	A	CA2/56
		(Mod. 1121)				
27G/4220	DUNLOP AH.51712	Brake, rear, port outer and starboard inner	1	—	A	CA2/57
		(Mod. 1121)				
9929	1Q2251	GUARD, STONE, FOR MAXARET, GROUP	1	—	B	CA2/58
		Spares for:—				
	1SS4650	Bolt, for brackets (3 & 4Q2251)	2	S94	MR	
1433666	6Q2251	Bolt, for top bracket (5Q2251)	2	—	C	
	3Q2251	Bracket, bottom	1	L72		
	4Q2251	Bracket, bottom	2	L72		
	5Q2251	BRACKET, TOP, GROUP	1	—	MR	
		Spares for:—				
28FP/9425767	S5/200	Spring, dzus	2	—	C	
	2Q2251	GUARD, GROUP	1	—		
		Spares for:—				
28FP/9425770	AJ4/35	Fastener, dzus	2	—	C	
28FP/9425771	GA5/312	Grommet, dzus	2	—	C	
	2dQ2251	Hinge (Make from S53525 x 10")	1	—		
	DOWTY					
27QM/470329D	1.03024.010	Jack, main undercarriage, port (Mod. 2109)	1	—	A	CA2/59
	DOWTY					
27QM/4696554	1.03025.010	Jack, main undercarriage, starboard (Mod. 2109)	1	—	A	CA2/60
	1F11725	LINK, SPRING LOADED U/C LEG TO	2	—	MR	CA2/61
		FAIRING, GROUP (MOD. 1108)				
		Spares for:—				
	3F8798	BEARING, END, GROUP	1	—	MR	CA2/62
		Spares for:—				
	HOFFMAN GJ/5	Bearing, self-aligning	1	—		CA2/63
	5SS5880	Plate, securing	1	—		

ALIGHTING GEAR
MAIN UNDERCARRIAGE

Ref. No.	Part No.	Description	No. off	Matl. Spec.	Cl. of St.	Plate and Illust'n No.
					M.R.	
		1 2 3 4				
		LINK, SPRING LOADED, U/C LEG TO FAIRING (1F11725) (Cont'd)				
	10F8798	BEARING, LINK GROUP	1	—		CA2/64
		Spares for:—				
	SP/21	Nipple, grease	1	—	C	
28N/9156370	8F8798	Bush, for end bearing	2	S1	MR	CA2/65
	11F8798	Bush, for link bearing	1	BSS/369	MR	CA2/66
10585	14F8798	Disc	1	DTD130	C	CA2/67
10584	13F8798	Spring	1	—	C	CA2/68
		MOUNTING, UNDERCARRIAGE, ONE WAY RESTRICTOR VALVE AND P.U. LIMIT SWITCH, PORT AND STARBOARD (1 & 2Z7470)				
		Spares for:—				
	17Z470	Cam, valve, u/c one way restrictor, port	1	BSS/668	MR	CA2/69
	18Z470	Cam, valve, u/c one way restrictor, starboard	1	BSS/668	MR	CA2/70
	19Z470	Cam, u/c P.U. switch, port	1	BSS/668	MR	CA2/71
	20Z470	Cam, u/c S.U switch, starboard	1	BSS/668	MR	CA2/72
		Attachments—Cams (17, 18, 19, 20.Z7470)				
28D/9436920	A25/1C	Bolt	3	—	C	
28W/9419402	SP13/C	Washer	3	—	C	
2656	12Z7470	CLIP, HALF, FRAME TO SIDE LOAD, STRUT, GROUP	2	—	C	CA2/73
2645	3Z7470	FRAME, MOUNTING, PORT, GROUP	1	—	C	CA2/74
	4Z7470	FRAME, MOUNTINGS, STARBOARD, GROUP	1	—	MR	CA2/75
		Attachments—Frames (3 & 4Z7470)				
28D/1212595	A25/34E	Bolt	1	—	C	
28D/1212598	A25/38E	Bolt	1	—	C	
	16Z7470	Ferrule	2	S1		
28M/9480017	AGS2001/E1/66	Nut	2	—	C	
28W/9418921	SP13/E	Washer	2	—	C	
2651	9Z7470	LEVER, OPERATING, GROUP	2	—	C	CA2/76
		Spares for:—				
	9cZ7470	Rivet, shouldered	1	S1	MR	
	9bZ7470	Roller	1	L65	MR	CA2/77
		Attachments—Lever (9Z7470)				
28M/1012015	10Z7470	Bolt, shouldered	2	S96	MR	CA2/78
	AGS2001/C1/66	Nut, stiff, 2 BA	2	—	C	
	11Z7470	Spring	2	—	MR	CA2/79
13793	14Z7470	Tube, distance, 17G x 3/8" o/d x 0.28"	4	DTD464A	C	CA2/80
28W/9419402	SP13/C	Washer	2	—	C	
2657	13Z7470	Screw, adjusting, for valve	2	S96	C	CA2/81
5CW/1084481	C.1831Y	Switch, limit (Downmic) (Pre Mod. 1906)	1	—	B	
5CW/4400578	HONEYWELL	Switch, micro (Mod. 1906)	1	—	B	CA2/82
27QM/4173588	402/EN.N3	Valve, one way restrictor	1	—	A	CA2/82A
	DOWTY					
	C.6771Y Mk. A					

VULCAN Mk. 2

ALIGHTING GEAR
MAIN UNDERCARRIAGE

Page CA. 5

Ref. No.	Part No.	Description	No. off	Matl. Spec.	Cl. of St.	Plate and Illust'n No.
					M.R.	
		1 2 3 4				
	DUNLOP AH51365	Piping, maxaret, front, R.H. (Mod. 967)	1	—		CA2/83
	DUNLOP AH51366	Piping, maxaret, front, L.H. (Mod. 967)	1	—		CA2/84
	DUNLOP AH51367	Piping, maxaret, rear, R.H. (Mod. 967)	1	—		CA2/85
	DUNLOP AH51368	Piping, maxaret, rear, L.H. (Mod. 967)	1	—		CA2/86
		(See AP4515C, Vol. 3, Part 1, Section 2, Chapter 55)				
27QM/ 4174916	DOWTY 2.00176.001	Strut, retracting, port (Mod. 1261)	1	—	A	CA2/87
27QM/ 4174917	DOWTY 2.00176.002	Strut, retracting, starboard (Mod. 1261)	1	—	A	CA2/88
	1K2719	STRUT, SIDE LOAD, GROUP	1	—	MR	CA2/89
27A/6471491		Tyre (Air Ministry Free Issue) (Mod. 2084)	8	—	B	CA2/90
27QM/71323	DOWTY 2.00441.042	Unit, main undercarriage, port (Mod. 2090)	1	—	A	
27QM/71354	DOWTY 2.00441.043	Unit, main undercarriage, port (Mod. 2119)	1	—	A	
27QM/71358	DOWTY 2.00421.044	Unit, main undercarriage, port (Mod. 2090)	1	—	A	
		(Pre-Mod. 2232)				
27QM/ 1448649	DOWTY 2.00421.045	Unit, main undercarriage, port (Mod. 2232)	1	—	A	
27QM/ 1448659	DOWTY 2.00421.046	Unit, main undercarriage, port (Pre-Mod. 2167)	1	—	A	
27QM/ 1490232	DOWTY 2.00421.047	Unit, main undercarriage, port (Mod. 2167)	1	—	A	CA2/91
		(Pre-Mod. 2401)				
27QM/ 1491211	DOWTY 2.00421.048	Unit, main undercarriage, port (Mod. 2401)	1	—	A	
27QM/71324	DOWTY 2.00442.042	Unit, main undercarriage, starboard (Mod. 2099)	1	—	A	
27QM/71326	DOWTY 2.00442.043	Unit, main undercarriage, starboard (Mod. 2119)	1	—	A	
27QM/71364	DOWTY 2.00422.044	Unit, main undercarriage, starboard (Mod. 2090)	1	—	A	
27QM/ 1448653	DOWTY 2.00422.045	Unit, main undercarriage, starboard (Mod. 2232)	1	—	A	
27QM/ 1448661	DOWTY 2.00422.046	Unit, main undercarriage, starboard	1	—	A	CA2/92
		(Pre-Mod. 2167)				
27QM/ 1490233	DOWTY 2.00422.047	Unit, main undercarriage, starboard (Mod. 2167)	1	—	A	
		(Pre-Mod. 2401)				
27QM/ 1491212	DOWTY 2.00422.048	Unit, main undercarriage, starboard (Mod. 2401)	1	—	A	
27G/3401	DUNLOP AC61676	Unit, maxaret, front, port outer, starboard inner	1	—	A	CA2/93
27G/3402	DUNLOP AC61678	Unit, maxaret, rear, port outer, starboard inner	1	—	A	CA2/94
27G/3403	DUNLOP AC61680	Unit, maxaret, rear, port inner, starboard, outer	1	—	A	CA2/95
27G/3404	DUNLOP AC61682	Unit, maxaret, front, port inner, starboard outer	1	—	A	CA2/96
		(See AP4515C, Vol. 3, Pt., 1, Sec. 2, Chap. 55)				

ALIGHTING GEAR
MAIN UNDERCARRIAGE

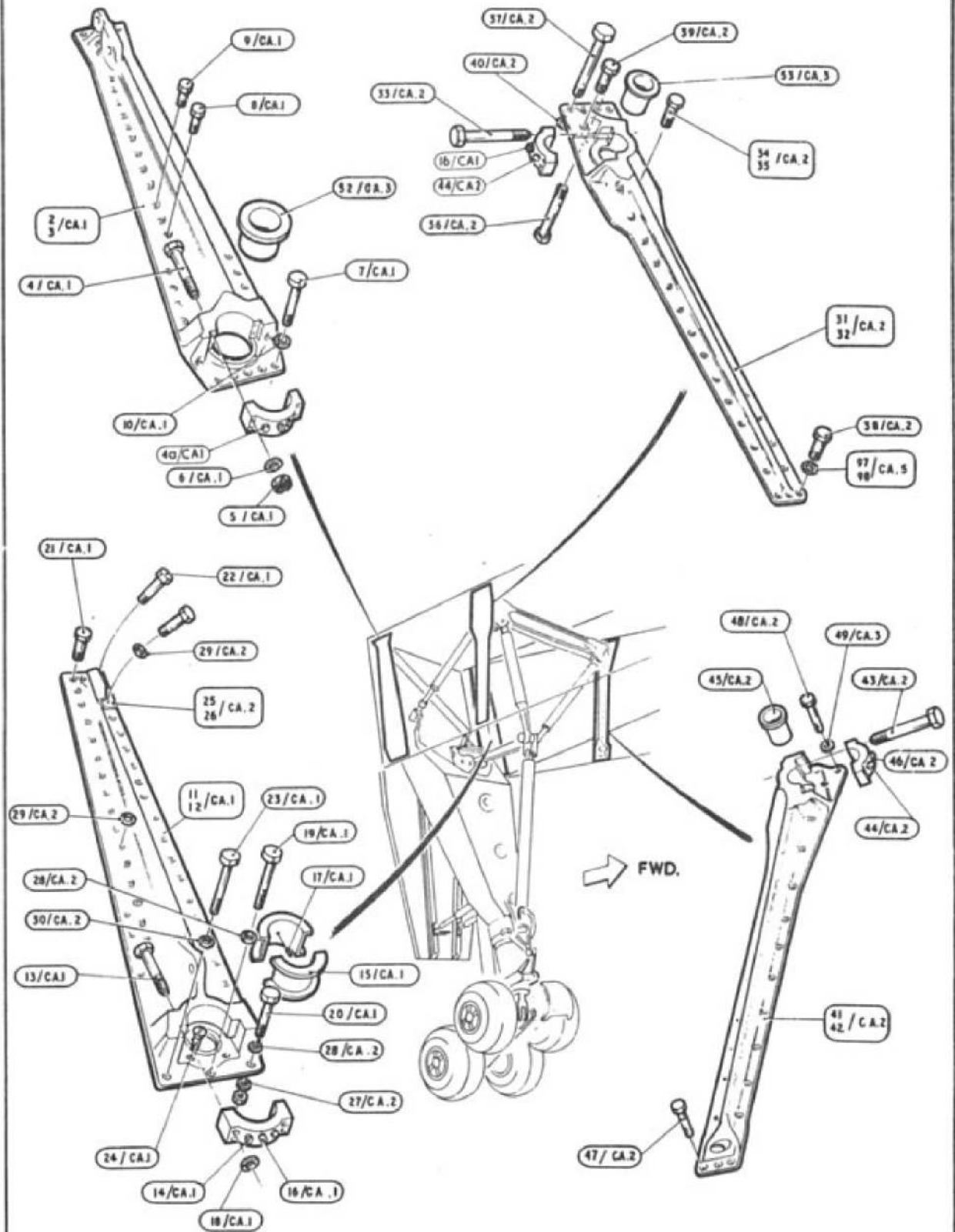
Ref. No.	Part No.	Description	No. off	Matl. Spec.	Cl. of St.	Plate and Illust'n No.
					M.R.	
		1 2 3 4				
1433486	5K2751 22K2718 DUNLOP	Washer, for bolt (19K2718) (Make from SP16/U)	2	-	C	CA1/97
		Washer, for bolt (19K2718)	2	S1	MR	CA1/98
27A/6324324	AH.50722 DUNLOP	Wheel, main undercarriage (Pre Mod. 2084)	4	-	A	CA2/99
27A/6324360	AH.52235	Wheel, main undercarriage (Mod. 2084)	4	-	A	

VULCAN Mk. 2

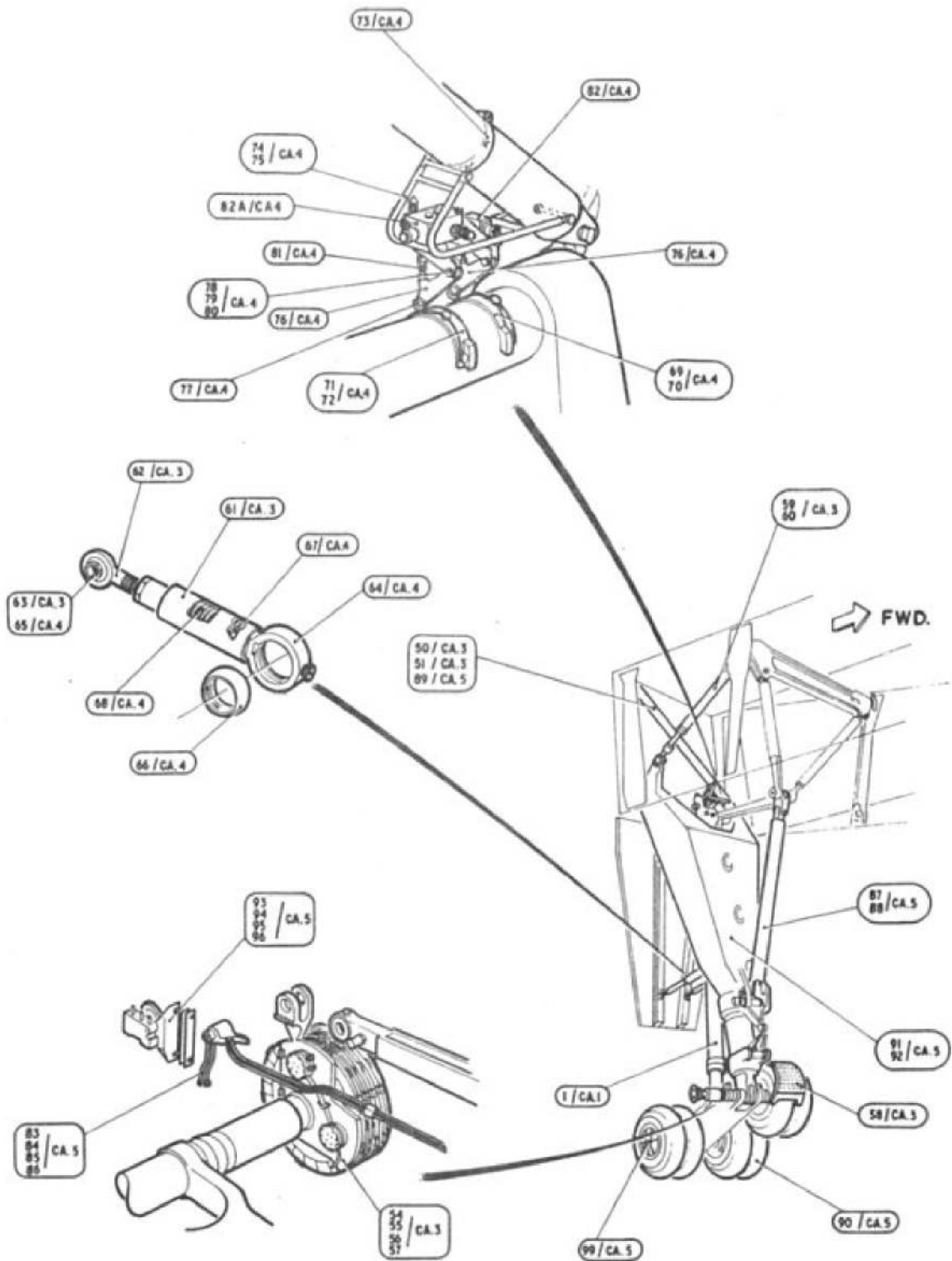
ALIGHTING GEAR
MAIN UNDERCARRIAGE
SUMMARY OF STANDARD ITEMS

Page CA. 7

Stores Ref.		No. off	Stores Ref.		No. off	Stores Ref.		No. off
Section	Ref. No.		Section	Ref. No.		Section	Ref. No.	
27A	4776	1						
28D	1212595	1						
28D	1212598	1						
28D	1213760	13						
28D	1213761	10						
28D	1213447	17						
28D	20184	23						
28D	9435053	1						
28D	9436920	3						
28FP	1201748	2						
28FP	9425770	2						
28FP	9425771	2						
28M	10291	31						
28M	10292	48						
28M	13259	8						
28M	13606	3						
28M	14015	4						
28M	14622	8						
28M	1278190	1						
28M	9129449	4						
28M	9480017	2						
28N	9156370	3						
28P	19157	4						
28P	20343	17						
28W	9418921	2						
28W	9419402	4						
28W	9419476	27						
28W	9419477	81						
28W	9419478	26						
28W	9419479	12						
28W	9419481	8						
28W	9419489	38						
28W	9419492	1						



ALIGHTING GEAR
MAIN UNDERCARRIAGE



ALIGHTING GEAR
MAIN UNDERCARRIAGE

This file was downloaded
from the RTFM Library.

Link: www.scottbouch.com/rtfm

Please see site for usage terms,
and more aircraft documents.

