

ARMAMENT

INSTALLATION OF T/4 BOMBSIGHT

Ref. No.	Part No.	Description	No. off	Matl. Spec.	Cl. of St.	Plate and Illust'n No.
					M.R.	
		1 2 3 4				
		BOMBSIGHT INSTALLATION T/4 (W1128)				
		Spares for:-				
9/4579	—	Amplifier	1	—	A	DA1/1
28D/1215334	AS1246/8E	Bolt, at mounting tray for amplifier	4	—	C	
28D/9140644	A25/9C	Bolt, at bracket arrangement Part No. 17W1128 ..	4	—	C	
	6V7561	BOX JUNCTION, GROUP	1	—		DA1/2
		Spares for:-				
	7V7561	BOX JUNCTION (Less Loom), GROUP				
5X/6200370	1V5650	Block, terminal	3	—	C	
	636V6374	Label, TB636	1	—		
	637V6374	Label, TB637	1	—		
	638V6374	Label, TB638	1	—		
	5V7561	LID, GROUP	1	—		DA1/3
		Spares for:-				
28FP/1014631	A3/25	Fastener, Dzus	4	—	C	
28FP/9434075	GA3/175	Grommet, Dzus	4	—	C	
	1V7591	LOOM, GROUP	1	—		
28FP/9434091	S3/175	Spring, Dzus	4	—	C	
		Attachments For—Part No. 6V7561				
28D/9436920	A25/1C	Bolt	4	—	C	
28M/1012015	AGS2001/C1/66	Nut	4	—	C	
28W/9419402	SP13/C	Washer	4	—	C	
9/4380	—	BOX, right angle gear	2	—	A	DA1/4
	2W989	BRACKET BASE MOUNTING	1	—		DA1/5
		Attachments For—Part No. 2W989				
28D/9710453	AS1246/4C	Bolt	4	—	C	
17406	3W989	Bracket, support	1	—	C	DA1/6
		Attachments For—Part No. 3W989				
28D/1011019	A25/8C	Bolt	2	—	C	
28D/1007978	A25/7C	Bolt	2	—	C	
	2SS4114	Washer, special	4	—	MR	
9/3350	—	Bracket, Mounting for bombsight	1	—	B	DA1/7
		Attachments For—Ref. No. 9/3350				
28D/9446996	A25/8J	Bolt	3	—	C	
28M/4095808	AGS2001/J1	Nut	3	—	C	
28W/9419477	SP15/J	Washer	3	—	C	
	20W1027	BRACKET, GROUP	2	—	MR	DA1/8
		Consisting of:-				
	3W1027	Bracket, saddle	1	—		
28D/9133012	A25/3C	Bolt	2	—	C	
12594	4W1027	Strap	1	—	C	
28M/1012015	AGS2001/C1/66	Nut	2	—	C	
28W/9419475	SP15/C	Washer	2	—	C	

ARMAMENT
INSTALLATION OF T/4 BOMBSIGHT

Ref. No.	Part No.	Description	No. off	Matl. Spec.	Cl. of St.	Plate and Illust'n No.
					M.R.	
		1 2 3 4				
11352	18W1128	BRACKET, GROUP	2	—	C	DA1/9
		Consisting of:—				
	17W1128	Bracket, saddle	1	—		
	16W1128	Strap	1	—		
	1Z9661	CONTROLLER BOMB AIMERS AZIMUTH, ... STARBOARD, GROUP	1	—		DA1/10
		Spares for:—				
	2Z9661	BOX MOUNTING, GROUP	1	—		DA1/11
		Spares for:—				
	11SS4204	Bush, ring lock	1	—	MR	DA1/12
	585SS6004	Label, cut-out switch	1	—		DA1/13
6TB/4545256	—	Controller	1	—	A	DA1/14
28S/1200080	A32/B8 ROTAX	Screw, Rd. Hd., 4 BA	2	—	C	
5CW/4405759	N136931 ROTAX	Plate, blanking	1	—	C	
	N135390	Shroud	1	—		
5CW/1047695	—	Switch, toggle	1	—	B	
28W/1206041	AGS2035/B	Washer	2	—	C	
9/4723	—	Computer	1	—	A	DA1/15
		COVER FOR BOMBSIGHT (Z8600)				DA1/16
		Spares for:—				
28D/1212800	AS1248/5C 6Z8600	Bolt	9	—	C	DA1/17
		Bracket, pivot	2	—		
		Attachments For—Part No. 6Z8600				
28S/9435717	A33/C20	Screw	2	—	C	
	16Z8600	CURTAIN BLACKOUT, PORT, GROUP	1	—		DA1/18
	17Z8600	CURTAIN BLACKOUT, STARBOARD, ... GROUP	1	—		
		Consisting of:—				
	16aZ8600	Curtain, port	1	—		
	17aZ8600	Curtain, starboard	1	—		
29G/1034153	N708A	Plate, clinch	3	—	C	
29G/1034156	N608	Socket	3	—	C	
	18Z8600	Tab	3	—		
	7Z8600	Hinge, forward (undrilled) made from	1	L72	LM	DA1/19
		AS/1880/25 (Ref. 28N/9486785)				
	8Z8600	Hinge, aft (undrilled) made from AS/1880/25 (Ref. 28N/9486785)	1	L72	LM	DA1/20
	2Z8600	PANEL, AFT, GROUP	1	—		DA1/21
		Spares for:—				
29G/8089528	CARR No. 248	Fastener	6	—	C	
	4Z8600	PANEL, FORWARD, GROUP				DA1/22
	3Z8600	PANEL, TOP, GROUP				DA1/23

ARMAMENT

INSTALLATION OF T/4 BOMBSIGHT

Ref. No.	Part No.	Description	No. off	Matl. Spec.	Cl. of	Plate and Illust'n No.
					St. M.R.	
		1 2 3 4				
		COVER FOR BOMBSIGHT (Z8600) (Continued)				
28P/9709828	SP4Y/H7	Pin	2	—	C	DA1/24
28P/1202571	SP90/E7	Pin, split, 1/16" dia.	4	—	C	DA1/25
	10Z8600	Strip, sponge rubber	1	DTD364B		DA1/26
	5Z8600	Strut	2	—		
28W/9419466	SP13/J	Washer	4	—	C	
	—	CUSHIONING, CREW'S, IN BOMB AIMER'S .. BLISTER (1Z9442) (MOD. 97)	—	—	—	DA1/27
	2Z9442	Spares for:— CUSHION BODY, C/W ARM REST, GROUP . (MOD. 97)	1	—	MR	DA1/28
	2aZ9442	Spares for:— Moulding, interior	1	—		
29G/1034153	N708A	Plate, clinch	8	—	C	
29G/1034156	N608	Socket	8	—	C	
11228	5Z9442	CUSHION, SIDE, PORT, GROUP	1	—	B	DA1/29
11229	6Z9442	CUSHION, SIDE, STARBOARD, GROUP ... Spares for:—	1	—	B	DA1/30
	5aZ9442	Moulding, interior	1	—		
	6aZ9442	Moulding, interior	1	—		
29G/1034153	N708A	Plate, clinch	8	—	C	
29G/1034156	N608	Socket	8	—	C	
	7Z9442	STRAP, FASTENER, GROUP	5	—		DA1/31
	7aZ9442	Consisting of:— Leather, black, 3/16" thick	1	—		
29G/1034153	N708A	Plate, clinch	1	—	C	
29G/1034156	N608	Socket	1	—	C	
	9Z9442	CUSHION, BODY, REAR END, GROUP Spares for:—	1	—	MR	DA1/32
	9aZ9442	Moulding, interior	1	—		
12719	11Z9442	CUSHION, FORWARD, GROUP	1	—	B	
	11aZ9442	Spares for:— Moulding, interior	1	—		
29G/1034153	N708A	Plate, clinch	4	—	C	
29G/1034156	N608	Socket	4	—	C	

ARMAMENT
INSTALLATION OF T/4 BOMBSIGHT

Ref. No.	Part No.	Description	No. off	Matl. Spec.	Cl. of St.	Plate and Illust'n No.
					M.R.	
		1 2 3 4				
12720	12Z9442	CUSHIONING BOMB AIMER (1Z9442) (Continued)				
		CUSHION, AFT BODY, GROUP	1	-	B	
		Spares for:-				
	LATEX UPHOLSTERY					
	12aZ9442	Moulding, interior	1	-		
29G/1034153	N708A	Plate, clinch	12	-	C	
29G/1034156	N608	Socket	12	-	C	
	8Z9442	Hinge, leather strap, black, 1/16" thick x 2" wide x 13" long	1	-	MR	DA1/33
10638	3Z9442	REST ELBOW, PORT, GROUP	1	-	B	DA1/34
	4Z9442	REST ELBOW, STARBOARD, GROUP	1	-	MR	DA1/35
		Spares for:-				
	LATEX UPHOLSTERY					
	3aZ9442	Moulding, interior, port	1	-		
	4aZ9442	Moulding, interior, starboard	1	-		
29G/1034153	N708A	Plate, clinch	4	-	C	
29G/1034156	N608	Socket	4	-	C	
3106	8Z7910	Strip, clamp, starboard, side, aft	1	L72	C	
	12Z7910	Strip, clamp, starboard, forward	1	L72	MR	
	11Z7910	Strip, clamp, port, forward	1	L72	MR	
	9Z7910	Strip, clamp, port side, aft	1	L72	MR	
	13Z7910	Strip, clamp, port	1	L72	MR	
	17Z7910	Strip, clamp, port	1	L72	MR	
9/4585	-	Drive, flexible	2	-	C	DA1/36
5L/9951271	-	Holder, lamp	1	-	C	DA1/37
5CX/4671876	-	Holder, lamp	1	-	B	
9/4566	-	Head, sighting	1	-	A	DA1/38

VULCAN Mk. 2

ARMAMENT

Page DA. 5

INSTALLATION OF T/4 BOMBSIGHT

Ref. No.	Part No.	Description	No. off	Matl. Spec.	Cl. of	Plate and Illust'n No.
					St. M.R.	
		1 2 3 4				
9/4578	—	Panel, Control	1	—	A	DA1/39
28S/1007443	A32/C18	Attachments For—Ref. No. 9/4578	3	—	C	
28W/9419402	SP13/C	Screw	3	—	C	
	2W1128	PANEL FOR CONTROL UNIT AND SUPPRESSOR, GROUP	1	—		DA1/40
	120SS6005	Spares for:— Label	1	—		
	735SS6005	Label	1	—		
28D/9436920	A25/1C	Attachments For—Part No. 2W1128	4	—	C	
28M/1012015	AGS2001/C1/66	Bolt	4	—	C	
28W/9419402	SP13/C	Nut	4	—	C	
	12W1128	PANEL AMPLIFIER, GROUP	1	—		DA1/41
	70SS6005	Spares for:— Label, 12-way, socket	2	L59		
	69SS6005	Label, 2-way, socket	1	L59		
10H/0560151	—	Plug, 12-way, fixed	1	—	B	
10H/0560553	—	Plug, 2-way, fixed	1	—	B	
10H/0560152	—	Plug, 12-way, fixed	1	—	B	
28D/1212792	AS1248/8C	Attachments For—Part No. 12W1128	2	—	C	
28M/1012015	AGS2001/C1/66	Bolt	2	—	C	
26TA/16397	AS2811/5/075	Nut	2	—	C	
28W/9419402	SP13/C	Tube, distance	2	—	C	
	8W/1128	PANEL GYRO AND COMPUTER STOWAGE, GROUP	1	—	MR	DA1/42
	102SS6004	Spares for:— Label, supply	1	L59		
	140SS6004	Label, gyro load	1	L59		
	78SS6005	Label, amplifier	2	L59		
	79SS6005	Label, junction box	1	L59		
10H/0560552	—	Plug, 2-way	1	—	B	
10H/0560150	—	Plug, 12-way	1	—	B	
10H/0560331	—	Socket, 12-way	1	—	B	
10H/0560332	—	Socket, 12-way	1	—	B	
10H/0560153	—	Plug, 12-way	1	—	B	
28D/9436920	A25/1C	Attachments For—Part No. 8W1128	6	—	C	
28M/1012015	AGS2001/C1/66	Bolt	6	—	C	
28W/9419402	SP13/C	Nut	6	—	C	
	18W1027	Plate, mounting, dimmer	1	—		
10H/0560190	—	Plug, 18-way	1	—	B	
10H/0560060	—	Plug, 3-way	1	—	B	
28M/9418829	AGS2002/A1	Attachments For—Part No. 18W1027	3	—	C	
28S/9419437	A31/A16	Nut	3	—	C	
28W/9128181	SP/10A	Screw	3	—	C	
		Washer	3	—	C	

ARMAMENT

INSTALLATION OF T/4 BOMBSIGHT

Ref. No.	Part No.	Description	No. off	Matl. Spec.	Cl. of	Plate and Illust'n No.
					St. M.R.	
		1 2 3 4				
	13W1128	STOWAGE FLEX DRIVE, GROUP	1	—		DA1/43
		Spares for:—				
28D/1010658 9/3572	A25/1B	Bolt	4	—	C	
	—	Connector	2	—	B	
	139SS6004	Label (flex drive)	1	L59		
28W/9419474	SP15/B	Washer	4	—	C	
		Attachments For—Part No. 13W1128				
28D/9133011	A25/2C	Bolt	2	—	C	
28M/1012015	AGS2001/C1/66	Nut	2	—	C	
28W/9419402	SP13/C	Washer	4	—	C	
		(Washer can also be used as packing between frame and vertical channel for crate)				
	19W1128	STOWAGE DRIFT CUT-OUT, GROUP	1	—		DA1/44
		Consisting of:—				
	19aW1128	Mounting	1	L72		
	25bW1027	Piece, blanking	1	BSS972		
10H/0560790	—	Socket, coupler	1	—	B	
		Attachments For—Part No. 19W1128				
28D/9436920	A25/1C	Bolt	2	—	C	
28M/1012015	AGS2001/C1/66	Nut	2	—	C	
28W/9419402	SP13/C	Washer	2	—	C	
5CY/9516978	—	Suppressor, type "P"	2	—	B	DA1/45
	29Z9012	STRUCTURE FOR BOMB AIMER'S CUSHIONING SUPPORT, GROUP (Pre-Mod. 2202)				DA1/46
	1Z12216	STRUCTURE, FOR BOMB AIMER'S CUSHIONING SUPPORT, GROUP (Mod. 2202)				
		Spares for:—				
	19Z9012	Angle, Attachment (Pre-Mod. 2202)	2	L72	MR	
	21Z12216	Angle, attachment (Mod. 2202)	2	L72	MR	
	27Z9012	Angle, cushion retaining	1	L72	MR	
	22Z9012	Beam, support (Pre-Mod. 2202)	1	L72	MR	
	18Z12216	Beam, support (Mod. 2202)	1	L72	MR	
	23Z9012	Beam, support (Pre-Mod. 2202)	1	L72	MR	
	19Z12216	Beam, support (Mod. 2202)	1	L72	MR	
	25Z9012	Clip	1	—		
28FP/9491457	AJ4/30	Fastener, Dzus	4	—	C	
	CARR	Fastener	14	—	C	
28G/8089528	No. 248	Fastener	2	—	C	
	CARR	Fastener	1	L72	MR	
29G/4658556	No. 249	Former (Pre-Mod. 2202)	1	L72	MR	
	28Z/9012	Former (Mod. 2202)	1	L72	MR	
	15Z/12216	Former, side (Pre-Mod. 2202)	1	L72	MR	
	6Z9012	Former, side (Mod. 2202)	1	L72	MR	
	9Z12216	Former, side (Pre-Mod. 2202)	1	L72	MR	
	7Z9012	Former, side (Mod. 2202)	1	L72	MR	
	10Z12216	Former, side (Pre-Mod. 2202)	1	L72	MR	

VULCAN Mk. 2

ARMAMENT

Page DA. 7

INSTALLATION OF T/4 BOMBSIGHT

Ref. No.	Part No.	Description	No. off	Matl. Spec.	Cl. of	Plate and Illust'n No.
					St. M.R.	
		1 2 3 4				
		STRUCTURE FOR BOMB AIMER'S CUSHIONING SUPPORT (29Z9012) (Cont'd)				
	8Z9012	Former, centre (Pre-Mod. 2202)	1	L72	MR	
	17Z12216	Former, centre (Mod. 2202)	1	L72	MR	
	9Z9012	Former, side (Pre Mod. 2202)	1	L72	MR	
	7Z12216	Former, side (Mod. 2202)	1	L72	MR	
	10Z9012	Former, side (Pre-Mod. 2202)	1	L72	MR	
	8Z12216	Former, side (Mod. 2202)	1	L72	MR	
	11Z9012	Former, centre (Pre-Mod. 2202)	1	L72	MR	
	16Z12216	Former, centre (Mod. 2202)	1	L72	MR	
	12Z9012	Former, side (Pre-Mod. 2202)	1	L72	MR	
	5Z12216	Former, side (Mod. 2202)	1	L72	MR	
	13Z9012	Former, side (Pre-Mod. 2202)	1	L72	MR	
	6Z12216	Former, side (Mod. 2202)	1	L72	MR	
	14Z9012	Former, centre (Pre-Mod. 2202)	1	L72	MR	
	14Z12216	Former, centre (Mod. 2202)	1	L72	MR	
	15Z9012	Former, side (Pre-Mod. 2202)	1	L72	MR	
	11Z12216	Former, side (Mod. 2202)	1	L72	MR	
	16Z9012	Former, side (Pre-Mod. 2202)	1	L72	MR	
	12Z12216	Former, side (Mod. 2202)	1	L72	MR	
	17Z9012	Former, centre (Pre-Mod. 2202)	1	L72	MR	
	13Z12216	Former, centre (Mod. 2202)	1	L72	MR	
	18Z9012	Former, at station 302	1	L72	MR	
28FP/ 9430915	GA4/250	Grommet	4	-	C	
	3Z9012	Member, side, port	1	L72	MR	
	4Z9012	Member, side, starboard	1	L72	MR	
	24Z9012	Member, side	1	L72	MR	
	20Z9012	Skin (Pre-Mod. 2202)	1	L72	MR	
	20Z12216	Skin (Mod. 2202)	1	L72	MR	
	26Z9012	Stiffener	1	L72	MR	
	21Z9012	Strip, rubber, 1/16" x 5/8" x 21.0" long (Shore hardness 40.45)	-	-		
5CW/724	-	Switch, dimmer	1	-	B	DA1/47
9/4581	-	TRAY, mounting for amplifier	1	-	A	DA1/48
	21W1128	Tube, flexible drive protection	1	-	MR	DA1/49
	22W1128	Tube, flexible drive protection, bottom	1	-	MR	DA1/50
9/4816	-	Unit, control	1	-	A	SA1/51
10A/17930	-	Washer, cheek at mounting tray for amplifier	4	-	C	

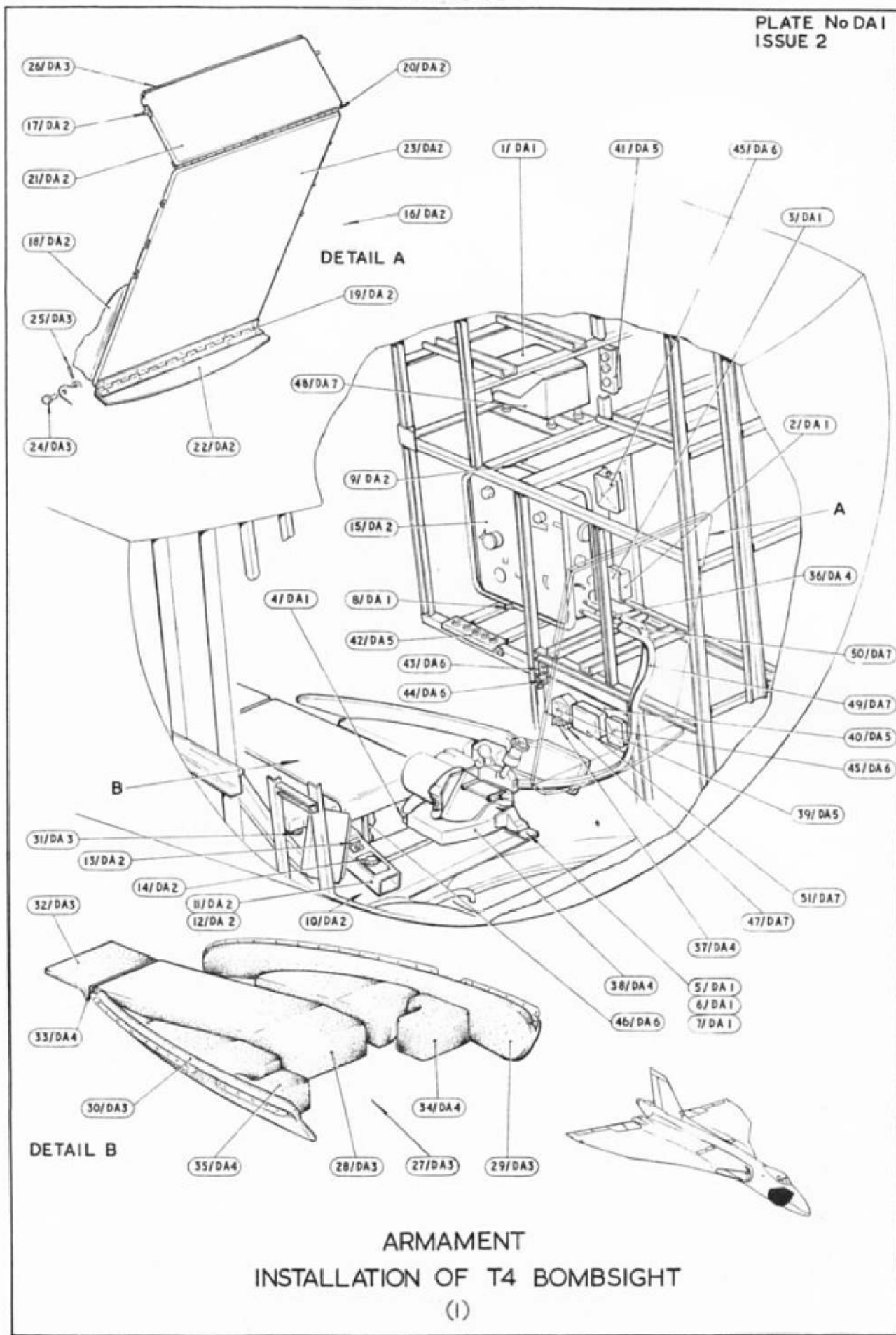
VULCAN Mk. 2

ARMAMENTS

INSTALLATION OF T/4 BOMBSIGHT

SUMMARY OF STANDARD ITEMS

Stores Ref.		No. off	Stores Ref.		No. off	Stores Ref.		No. off
Section	Ref. No.		Section	Ref. No.		Section	Ref. No.	
28D	1215334	4	28S	9435717	2			
28D	9140644	4	28S	94119437	3			
28D	9436920	18	28S	1007443	3			
28D	9710453	4						
28D	1011019	2						
28D	1007978	2	28W	9419402	27			
28D	9446996	3	28W	9419477	3			
28D	1212800	9	28W	9419466	4			
28D	8346	2	28W	9128181	3			
28D	1010658	4	28W	9419475	2			
28D	9133011	2	28W	1206041	2			
28D	9133012	2	28W	9419474	4			
28FP	9491457	4						
28FP	1014681	4						
28FP	9434075	4						
28FP	9434091	4						
28FP	9430915							
28M	10292	3						
28M	10326	3						
28M	1278190	22						
28P	20243	4						
28P	928	2						



This file was downloaded
from the RTFM Library.

Link: www.scottbouch.com/rtfm

Please see site for usage terms,
and more aircraft documents.

