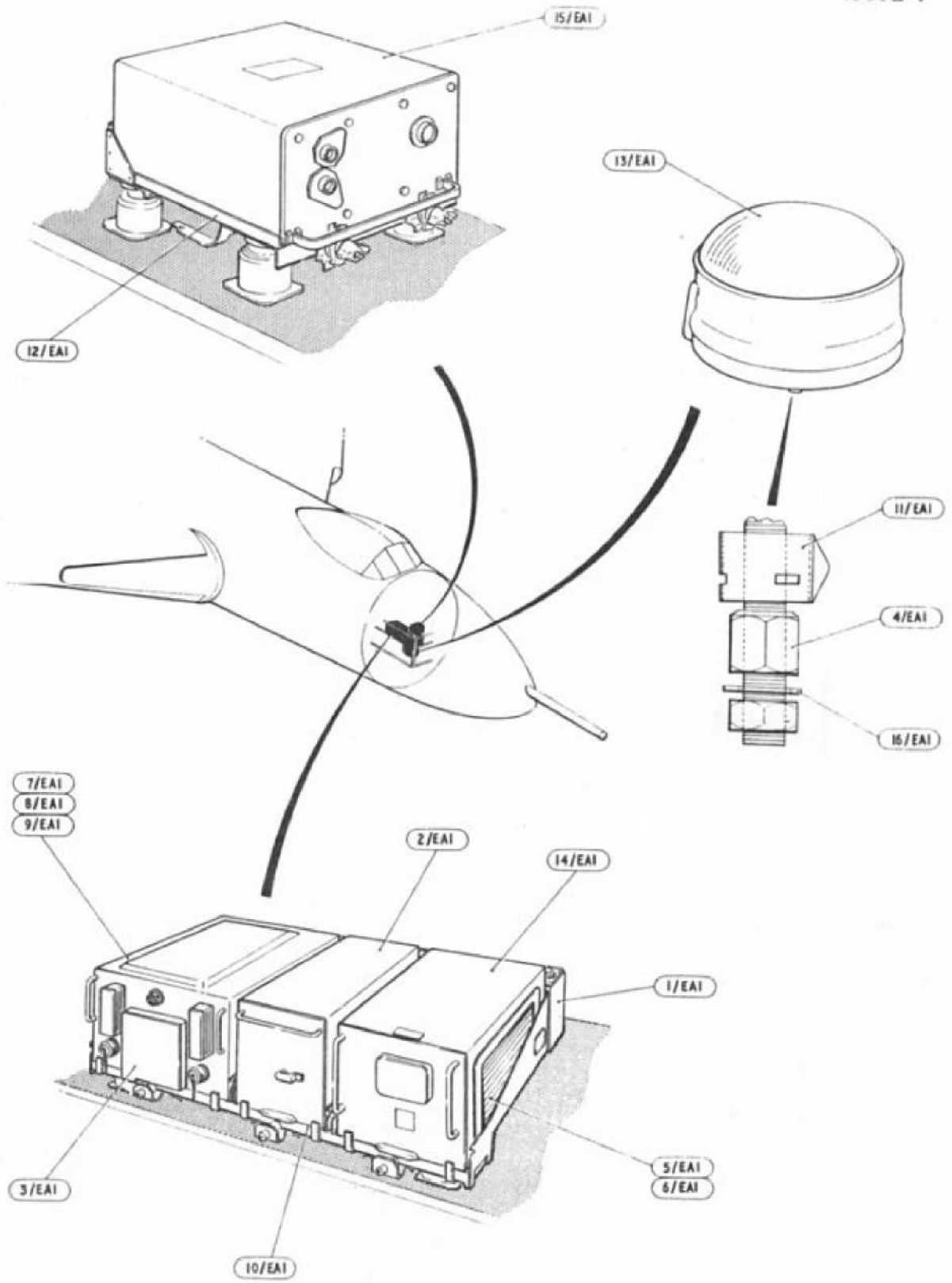


VULCAN Mk. 2

CONTROLS
AUTO PILOT

Page EA. 1

Ref. No.	Part No.	Description	No. off	Matl. Spec.	Cl. of St.	Plate and Illust'n No.
					M.R.	
1 2 3 4						
		AUTO-PILOT EQUIPMENT Spares for:— AUTO-PILOT EQUIPMENT UNDER PILOT'S FLOOR, PORT (V9091) Mods. 1160, 1204, 1691, 1771, 1856, 2076, 2149 & 2150 Spares for:—				
6TB/1988	—	Box, junction, Type "F" (Mod. 1856) (Pre Mod. 2149)	1	—	A	EA1/1
6TB/4549663	—	Box, junction, Type "H" (Mod. 2149)	1	—	A	
6TB/4545405	148.EAP	Control, platform (Pre Mod. 1204)	1	—	A	EA1/2
6TB/1680	160/1.EAP	Control, platform, Type "B" (Mod. 1204)	1	—	A	
6TB/4545610	166/4.EAP	Control, servo, Type "D" (Mod. 1691)	1	—	A	EA1/3
6TB/302	EAP.5658	Nut, levelling	1	—	B	EA1/4
6TB/4545647	—	Pad, gearing, locking, No. 1, Type "M" (Mod. 1856)	1	—	B	EA1/5
6TB/4545648	—	Pad, gearing, locking, No. 2, Type "M" (Mod. 1856)	1	—	B	EA1/6
6TB/4545620	197/2.EAP	Pad, gearing, servo, No. 1, Type "M" (Mod. 1771)	1	—	B	EA1/7
6TB/4545621	198/1.EAP	Pad, gearing, servo, No. 2, Type "M" (Mod. 1771)	1	—	B	EA1/8
6TB/4545408	154/1.EAP	Pad, sense, servo (Pre Mod. 1204)	1	—	B	EA1/9
6TB/4545553	169/2.EAP	Pad, sense, servo (Mod. 1204)	1	—	B	
6TB/4545409	152.EAP	Rack, mounting	1	—	A	EA1/10
6TB/304	EAP.5660	Strip, sealing	1	—	C	EA1/11
6TB/4545258	143.EAP	Tray, mounting	1	—	A	EA1/12
6TB/	112.EAP	Unit, gyro, Type "A"	1	—	A	EA1/13
6TB/4545046	—	Unit, locking, Type "F" (Mod. 1856) (Pre Mod. 2076)	1	—	A	EA1/14
6TB/2068	—	Unit, locking, Type "G" (Mod. 2076) (S.O.O. to 26 A/C only) (Pre Mod. 2150)	1	—	A	
6TB/4549706	—	Unit, locking, Type "H" (Mod. 2150)	1	—	A	
6TB/	151/1.EAP	Unit, pressure (Pre Mod. 1160)	1	—	A	EA1/15
6TB/4545466	144/1.EAP	Unit, pressure (Mod. 1160)	1	—	A	
6TB/303	EAP.5659	Washer, torque	1	—	C	EA1/16



CONTROLS
AUTO PILOT

This file was downloaded
from the RTFM Library.

Link: www.scottbouch.com/rtfm

Please see site for usage terms,
and more aircraft documents.

