

VULCAN Mk. 2

CONTROLS

Page EG. 1

FLYING, IN CENTRE PORTION FUSELAGE

Ref. No.	Part No.	Description	No. off	Matl. Spec.	Cl. of St.	Plate and Illust'n No.
					M.R.	
		1 2 3 4				
13821		CONTROLS, FLYING, ASSEMBLIES, IN CENTRE PORTION FUSELAGE (I.R.4188) Spares for:— BEARING, FOR CONTROL RODS AT FORMER 175F. (I.R.3978) Spares for:—				
	7R3978	BRACKET, BEARING, PORT, GROUP	2	—		EG1/1
	8R3978	BRACKET, BEARING, STARBOARD, GROUP	1	—		EG1/2
	1R2856	Spares for:— Base, bearing	1	L40		EG1/3
	5R3978	Bracket, mounting, port	1	L72	C	
	6R3978	Bracket, mounting, starboard	1	L72		
	4R3978	Plate, packing	1	DTD130		
	1R4410	Roller, special	3	—	MR	EG1/4
		BEARING, FOR CONTROL RODS AT FORMER 130F (1R3977) Spares for:—				
	7R3977	BRACKET, BEARING, UPPER, PORT GROUP	1	—		EG1/5
	9R3977	BRACKET, BEARING, LOWER, PORT, GROUP	1	—		EG1/6
	8R3977	BRACKET, BEARING, STARBOARD, GROUP Spares for:—	1	—		EG1/7
13821	1R2856	Base, bearing	1	L40		EG1/3
	5R3977	Bracket, mounting, upper, port	1	L72	C	
	5R3978	Bracket, mounting, lower, port	1	L72		
	6R3978	Bracket, mounting, starboard	1	L72		
	4R3977	Plate, packing, upper, port	1	DTD130		
	4R3978	Plate, packing, lower, port and starboard	1	DTD130		
	1R4410	Roller, special	3	—	MR	EG1/4
		BEARING, FOR CONTROL RODS, AT FORMER 27F (1R3401) Spares for:—				EG1/8
12026	1R3460	Base, bearing	3	DTD721	MR	EG1/9
	2R3401	Plate, packing	2	DTD142A	C	
	3R3401	Plate, packing	2	DTD142A		
	1R4410	Roller, special	9	—	MR	EG1/4
		BEARING FOR CONTROL RODS ON FRONT SPAR (1R3268) Spares for:—				EG1/10
1R3460	Base, bearing	1	DTD721	MR	EG1/9	
2R3268	Plate, packing	2	DTD142A			
1R4410	Roller, special	3	—	MR	EG1/4	

CONTROLS

FLYING, IN CENTRE PORTION FUSELAGE

Ref. No.	Part No.	Description	No. off	Matl. Spec.	Cl. of St.	Plate and Illust'n No.
					M.R.	
		1 2 3 4				
		BEARING, FOR CONTROL RODS, AT	—	—		EG1/11
		FORMER 21.717A (1R3616)				
		Spares for:—				
	1R3460	Base, bearing	2	DTD721	MR	EG1/9
	1R4410	Roller, special	6	—		EG1/4
		BEARING, FOR CONTROL RODS, AT	—	—		EG1/12
		FORMER 64.592A (1R3419)				
		Spares for:—				
	1R3460	Base, bearing	3	DTD721	MR	EG1/9
	2R3425	Plate, packing	3	DTD142A		
	1R4410	Roller, special	9	—	MR	EG1/4
		BEARING, FOR CONTROL RODS, AT	—	—		EG1/13
		FORMER 108.687A (1R3582)				
		Spares for:—				
	1R3460	Base, bearing	3	DTD721	MR	EG1/9
	2R3425	Plate, packing	3	DTD142A		
	1R4410	Roller, special	9	—	MR	EG1/4
		BEARING, FOR CONTROLS RODS, AT	—	—		EG1/14
		FORMER 151.919A (1R3583)				
		Spares for:—				
	1R3460	Base, bearing	3	DTD721	MR	EG1/9
	2R3425	Plate, bearing	1	DTD142A		
	2R3583	Plate, packing	1	DTD142A		
	1R4410	Roller, special	9	—	MR	EG1/4
		BEARING, FOR CONTROL RODS, AT	—	—		EG1/15
		FORMER 201.367A (1R3584)				
		Spares for:—				
	1R3460	Base, bearing	3	DTD721	MR	EG1/9
	2R3584	Plate, packing	2	DTD142A		
	3R3584	Plate, packing	1	DTD142A		
	1R4410	Roller, special	9	—	MR	EG1/4
		BEARING, FOR CONTROL RODS, AT	—	—		EG1/16
		FORMER 243.127A (1R3585)				
		Spares for:—				
	1R3460	Base, bearing	2	DTD721	MR	EG1/9
	2R3425	Plate, packing	1	DTD142A		
	2R3585	Plate, packing	1	DTD142A		
	1R4410	Roller, special	6	—	MR	EG1/4
		BEARING, FOR CONTROL RODS, AT	—	—		EG1/17
		FORMER 279.092A (1R3622)				
		Spares for:—				
	1R3460	Base, bearing	2	DTD721	MR	EG1/9
	2R3419	Plate, packing	2	DTD142A		
	1R4410	Roller, special	6	—	MR	EG1/4
		BEARING, FOR CONTROL RODS, AT	—	—		EG1/18
		FORMER 300.954A (1R4721)				
		Spares for:—				
	1R3460	Base, bearing	1	DTD721	MR	EG1/9
	1R4410	Roller, special	3	—	MR	EG1/4

VULCAN Mk. 2

CONTROLS

Page EG. 3

FLYING, IN CENTRE PORTION FUSELAGE

Ref. No.	Part No.	Description	No. off	Matl. Spec.	Cl. of St.	Plate and Illust'n No.	
					M.R.		
		1	2	3	4		
		BEARING, FOR CONTROL RODS, AT FORMER 370A (1R3619)					EG1/19
		Spares for:—					
	1R3460	Base, bearing	1	DTD721	MR	EG1/9	
	3R3619	Plate, packing	1	DTD142A			
	1R4410	ROLLER, SPECIAL	3	—	MR	EG1/4	
		ATTACHMENTS—BEARINGS FOR CONTROL RODS					
28D/9133011	A25/2C	Bolt, 2 BA	18	—	C		
28D/1008145	A25/6E	Bolt, 1/4" BSF	90	—	C		
28D/1214091	AS1242/2C	Bolt, csk. hd., 2 BA	7	—	C		
28D/9709461	AS1242/3C	Bolt, csk. hd., 2 BA	27	—	C		
28D/1007976	AS1242/4C	Bolt, csk. hd., 2 BA	29	—	C		
28D/1013172	AS1242/5C	Bolt, csk. hd., 2 BA	15	—	C		
28D/1204937	AS1242/6C	Bolt, csk. hd., 2 BA	12	—	C		
28M/1012015	AGS2001/C1/66	Nut, stiff, 2 BA	87	—	C		
28M/9480017	AGS2001/E1/66	Nut, stiff, 1/4" BSF	18	—	C		
28M/7002430	AGS2002/E/1	Nut, stiff, 1/4" BSF	72	—	C		
28W/9419402	SP13/C	Washer, 2 BA	18	—	C		
28W/9418921	SP13/E	Washer, 1/4"	18	—	C		
	DSS157	Washer, tapered	18	—	MR		
	3SS4114	Washer, tapered	57	—			
	5SS4645	Bush, fork-end, 13/32" o/d x 5/16" i/d x .18" long	6	S93	MR		
	6SS4645	Bush, fork-end, 13/32" o/d x 5/16" i/d x .2" long	5	S93	MR		
7909	7SS4645	Bush, fork-end, 13/32" o/d x 5/16" i/d x .22" long	2	S93	C		
7911	9SS4645	Bush, fork-end, 13/32" o/d x 5/16" i/d x .26" long	14	S93	C		
	10SS4645	Bush, fork-end, 13/32" o/d x 5/16" i/d x .28" long	1	S93	MR		
7913	11SS4645	Bush, fork-end, 13/32" o/d x 5/16" i/d x .3" long	1	S93	C		
		CONTROLS, FOR AUTO-MACH TRIM AFT OF REAR SPAR (1R4446) (Mod. 761)					EG2/20
		Spares for:—					
7462	20R4374	Arm, contact, micro switch	1	S1	C	EG2/21	
	SKEFCO						
2A/9500411	400014	Bearing	2	—	C		
20906	16R4446	Bolt, special	2	—	C		
	6SS4645	Bush	5	—	MR		
7454	6R4374	HOUSING, BEARING, GROUP	4	—	B	EG2/22	
		Spares for:—					
2A/9500413	SKEFCO						
	400015	Bearing	1	—	C		
17942	2SS5880	Plate, securing	1	—	C		
	17R4446	HOUSING, BEARING, GROUP	1	—		EG2/23	
		Spares for:—					
2A/9500413	SKEFCO						
	400015	Bearing	1	—	C		
	17bR4446	Plate, securing	1	—			

CONTROLS
FLYING, IN CENTRE PORTION FUSELAGE

Ref. No.	Part No.	Description	No. off	Matl. Spec.	Cl. of St.	Plate and Illust'n No.
					M.R.	
		1 2 3 4				
10016	18R4446	CONTROLS, FOR AUTO-MACH TRIM AFT OF REAR SPAR (1R4446) (Mod. 761) (Cont'd) HOUSING, BEARING, GROUP	1	—		EG2/24
		Spares for:—				
2A/9500418	HOFFMANN T13 18bR4446	Bearing	1	—	C	
		Plate, securing	1	—		
		Attachments—Bearing Housing				
28D/9133011	A25/2C	Bolt, 2 BA	16	—	C	
28D/9133012	A25/3C	Bolt, 2 BA	8	—	C	
28M/1013107	A24/CS	Nut, slotted, 2 BA	24	—	C	
28P/9527619	SP90/C7	Pin, split, 1/16" dia.	24	—	C	
28W/9419402	SP13/C	Washer, 2 BA	24	—	C	
	AS3360/E6G	Lead, bonding	1	—		
20908	1R4453	LEVER, MOUNTING, AUTO-MACH TRIM, GROUP (Mod. 761)	1	—	B	EG2/25
		Spares for:—				
	2R4444	LEVER, GROUP	1	—		EG2/26
		Spares for:—				
2A/9500411	SKEFCO 400014	Bearing	1	—	C	
17944	10SS5880	Plate, securing	1	—	C	
	3R4444	Lever	1	—		EG2/27
	3R4453	Spigot, plain	1	—		EG2/28
	2R4453	Spigot, screwed	1	—		EG2/29
	8R4446	LEVER, OPERATING, AT MICRO SWITCHES, GROUP	1	—		EG2/30
		Spares for:—				
	3R4446	LEVER, GROUP	2	—		
		Spares for:—				
	3bR4446	Bush	1	—		
	10R4446	Trunnion	2	—		
10017	1R4452	LEVER, MOUNTING, AUTO-MACH TRIM, GROUP	1	—	B	EG2/31
		Spares for:—				
	2R4375	LEVER, GROUP	1	—		EG2/32
		Spares for:—				
2A/9500411	SKEFCO 400014	Bearing	1	—	C	
17944	10SS5880	Plate, securing	1	—	C	
	3R4375	Lever	1	—		EG2/33
	2R4452	Spigot, plain	1	—		EG2/34
	3R4452	Spigot, screwed	1	—		EG2/35
20912	12R4179	Locknut	1	—	C	

VULCAN Mk. 2

CONTROLS

Page EG.5

FLYING, IN CENTRE PORTION FUSELAGE

Ref. No.	Part No.	Description	No. off	Matl. Spec.	Cl. of St.	Plate and Illust'n No.
					M.R.	
		1 2 3 4				
		CONTROLS, FOR AUTO-MACH TRIM AFT OF REAR SPAR (1R4446) (Mod. 761) (Cont'd.)				
	87R3296	NUT, ADJUSTING, CONTROL ROD, GROUP	2	—	MR	EG2/36
	87aR3296	Consisting of:— Nut	1	—		
	87bR3296	Ring, buffer	1	—		
	5R4374	Plate, link	2	—		EG2/37
	3R4378	ROD, CONTROL, FROM LEVER AT REAR SPAR, TO LINK PLATE, GROUP	1	—		EG2/38
		Spares for:—				
	4R4378	Adjuster	1	—		EG2/39
	4R4348	EYE-END, GROUP	1	—	MR	EG2/40
		Spares for:—				
2A/9500465	SKEFCO I.132498	Bearing	1	—	C	
17942	2SS5880	Plate, securing	1	—	C	
7898	14R4186	EYE-END, GROUP	1	—	C	EG2/41
		Spares for:—				
2A/9500465	SKEFCO I.132498	Bearing	1	—	C	
17942	2SS5880	Plate, securing	1	—	C	
	5R4348	Locknut, special	1	S114 or 117	MR	EG2/42
	9R3666	Locknut (Made from A27/JT)	1	—	MR	EG2/43
1510378	7R4446	ROD, CONTROL, LEVER TO TORQUE SHAFT, GROUP	1	—	B	EG2/44
		Spares for:—				
2A/9500464	SKEFCO CBA2-1/2	Bearing	2	—	C	
28D/1200119	A25/4C	Bolt, 2 BA	2	—	C	
	7bR4446	Bush, 1/2" dia. x 4"	2	S94		
5K/4691289	AS3360/C4G	Lead, bonding	2	—	C	
28M/1012015	AGS2001/C1/66	Nut, stiff, 2 BA	2	—	C	
17940	ISS5880	Plate, securing	2	—	C	
	6R4446	ROD, CONTROL, TORQUE SHAFT TO LINK PLATE, GROUP	1	—	B	EG2/45
		Spares for:—				
2A/9500463	SKEFCO CBA2	Bearing	1	—	C	EG2/46
	SKEFCO I.132498	Bearing	1	—	C	EG2/47
2A/9500465	A25/4C	Bolt, 2 BA	2	—	C	
28D/1200119	AS3360/C6E	Lead, bonding	1	—	C	EG2/48
5K/4346015						

CONTROLS

FLYING, IN CENTRE PORTION FUSELAGE

Ref. No.	Part No.	Description	No. off	Matl. Spec.	Cl. of St.	Plate and Illust'n No.
					M.R.	
		1 2 3 4				
		ROD, CONTROL, TORQUE SHAFT TO LINK PLATE, GROUP (6R4446) (Cont'd.)				
5K/3409	AS3360/C6G	Lead, bonding	1	—	C	EG2/49
28M/1012015	AGS2001/C1/66	Nut, stiff, 2 BA	2	—	C	
17940	ISS5880	Plate, securing	1	—	C	EG2/50
17942	2SS5880	Plate, securing	1	—	C	EG2/51
	3R4379	ROD, CONTROL, FROM LEVER TO MIXER UNIT, GROUP	1	—		EG2/52
	9R4348	Spares for:— Adjuster	1	S95	MR	EG2/53
7895	2R4393	EYE-END, GROUP	1	—	C	EG2/54
	SKEFCO	Spares for:—				
2A/9500463	CBA2	Bearing	1	—	C	
17940	ISS5880	Plate, securing	1	—	C	
7903	11R4188	EYE-END, GROUP	1	—	C	EG2/55
	SKEFCO	Spares for:—				
2A/9500463	CBA2	Bearing	1	—	C	
17940	ISS5880	Plate, securing	1	—	C	
	5R4348	Locking, special	1	—	MR	EG2/42
	9R3666	Locknut (Made from A27/JT)	1	S114 or 117	MR	EG2/43
		Attachments—Control Rods Part Nos. 3R4378, 3R4379 and 6 & 7R4446				
20905	19R4446	Bolt, special	1	S94	C	
8068	24R4374	Bolt, special (Made from A59/10E)	1	—	C	
28D/1213556	A60/11G	Bolt, 5/16" BSF	1	—	C	
28D/1213559	A60/11G	Bolt, 5/16" BSF	1	—	C	
28D/1213610	A59/10G	Bolt, 5/16" BSF	2	—	C	
28D/1213599	A59/22E	Bolt, 1/4" BSF	1	—	C	
28D/1213600	A59/23E	Bolt, 1/4" BSF	1	—	C	
28M/4199604	A58/GS	Nut, slotted, 5/16" BSF	5	—	C	
28M/4095947	A58/ES	Nut, slotted, 1/4" BSF	3	—	C	
28P/9527619	SP90/C7	Pin, split, 1/16" dia.	8	—	C	
28W/9419455	SP10/G	Washer, 5/16"	1	—	C	
28W/9419403	SP13/G	Washer, 5/16"	1	—	C	
28W/9418921	SP13/E	Washer, 1/4"	3	—	C	
	19R4374	Screw, contact, micro switch	1	S1		EG2/56

VULCAN Mk. 2

CONTROLS

Page EG. 7

FLYING, IN CENTRE PORTION FUSELAGE

Ref. No.	Part No.	Description	No. off	Matl. Spec.	Cl. of St.	Plate and Illust'n No.		
					M.R.			
		1	2	3	4			
		CONTROLS, FOR AUTO-MACH TRIM AFT OF REAR SPAR (I.R.4446) (Mod. 761) (Cont'd)						
10018	1R4447	SHAFT, TORQUE, GROUP	1	—	B	EG2/57		
		Spares for:—						
	2R4447	Lever	1	DTD130		EG2/58		
	3R4447	Lever	1	DTD130		EG2/59		
5CW/9438275	BZ.38H	Switch, micro	1	—	A	EG2/60		
5CW/4742	C1831 Mk. 1	Switch, micro	2	—	A	EG2/61		
		Attachments—Micro Switches, Ref. Nos. 5CW/9438275 and 5CW/4742						
28D/1011011	A25/8B	Bolt, 4 BA	2	—	C			
28D/9419397	A25/12C	Bolt, 2 BA	6	—	C			
28M/9433473	AGS2002/C/1	Nut, stiff, 2 BA	6	—	C			
28W/9419454	SP10/C	Washer, 2 BA	6	—	C			
	1R4450	UNIT, SERVO, GROUP	1	—		EG2/62		
	2R4450	UNIT, SERVO, GROUP	1	—		EG2/63		
		Spares for:—						
20910	11R4450	Bracket	1	—	C	EG2/64		
		Attachments—Bracket, Part No. 11R4450						
28D/1215666	A59/10C	Bolt, 2 BA	1	—	C			
28M/5808573	A27/CS	Nut, slotted, 2 BA	1	—	C			
28P/9486478	SP90/C6	Pin, split, 1/16" dia.	1	—	C			
28W/9419454	SP10/C	Washer, 2 BA	1	—	C			
20913	9R4450	BRACKET, GROUP	1	—	C	EG2/65		
		Spares for:—						
20912	12R4179	Locknut	2	—	C			
9996	10R4450	Screw, contact, micro switch	1	—	C	EG2/66		
	4bR4450	Screw, contact, micro switch	1	—		EG2/67		
20909	8R4450	EYE-END, GROUP	1	—	B	EG2/68		
		Spares for:—						
2A/9500465	SKEFCO	Bearing	1	—	C			
17942	I.132498	Plate, securing	1	—	C			
		Attachments—Eye-end, Part No. 8R4450						
20912	12R4179	Locknut	4	—	C			
28W/9419402	SP13/C	Washer, 2 BA	4	—	C			
20911	6R4450	Fork-end	1	—	C	EG2/69		
5K/7000235	AS3360/C5C	Lead, bonding	1	—	C			
		Attachment—Bonding Lead, Part No. AS.3360/C5C						
28D/1011019	A25/8C	Bolt, 2 BA	1	—	C			
20912	12R4179	Locknut	1	—	C			
28W/9419402	SP13/C	Washer, 2 BA	1	—	C			
5702	7R4179	Locknut	1	—	C			

CONTROLS

FLYING, IN CENTRE PORTION FUSELAGE

Ref. No.	Part No.	Description	No. off	Matl. Spec.	Cl. of St.	Plate and Illust'n No.	
					M.R.		
		1	2	3	4		
		UNIT, SERVO, GROUP (1 & 2R4450) (Cont'd)					
5CW/9438275	BURGESS BZ.38H	Switch, micro	1	—	A	EG2/60	
		Attachments—Micro switch, Ref. No. 5CW/4638					
28D/1010142	A25/9B	Bolt, 4 BA	2	—	C		
28M/1278189	AGS2001/B/1	Nut, stiff, 4 BA	2	—	C		
28W/9419401	SP10/B NEWMARK 1350/A	Washer, 4 BA	2	—	C		
		Unit, Auto-servo	1	—		EG2/70	
		Attachments—Servo Unit, Part Nos. 1 & 2R4450					
28D/1213610	A59/10G	Bolt, 5/16" BSF	2	—	C		
28M/4199604	A58/GS	Nut, slotted, 5/16" BSF	2	—	C		
28P/9527619	SP90/C7	Pin, split, 1/16" dia.	2	—	C		
		LEVER, AT FORMER 75F, PORT AND STBD. (21 & 22R4426) (Mod. 2239)					
		Spares for:—					
	23R4426	LEVER, RUDDER, GROUP (Mod. 22391)	1	—	MR	EG1/71	
		Spares for:—					
2A/9500410	HOFFMAN CS.1	Bearing	1	—	C		
1433750	18R4426	BRACKET, BEARING, GROUP	1	—	C		
		(Mod. 2239)					
		Spares for:—					
2A/9500410	HOFFMAN CS.1	Bearing	1	—	C		
17944	10SS5880	Plate, retaining	1	—	C		
		Attachments—Bracket, Part No. 3R3550					
28D/1202771	A25/4G	Bolt, 5/16" BSF	4	—	C		
28W/9419403	SP13/G	Washer, 5/16"	4	—	C		
1433601	12R4426	LEVER, GROUP (Mod. 2239)	1	—	C		
		Attachments—Lever, Part No. 5R4426					
28D/1213745	A30/19E	Bolt, 1/4" BSF	1	—	C		
28M/1011467	A27/ES	Nut, slotted, 1/4" BSF	1	—	C		
28P/9527619	SP90/C7	Pin, split, 1/16" dia.	1	—	C		
28W/9418921	SP13/E	Washer, 1/4"	4	—	C		
	24R4426	LEVER, ELEVATOR, GROUP (Mod. 2239)	1	—	MR	EG1/72	
		Spares for:—					
2A/9500410	HOFFMAN CS.1	Bearing	1	—	C		
1433752	20R4426	BRACKET, BEARING, GROUP	1	—	C		
		(Mod. 2239)					
		Spares for:—					
2A/9500410	HOFFMAN CS.1	Bearing	1	—	C		
17944	10SS5880	Plate, securing	1	—	C		

VULCAN Mk. 2

CONTROLS

Page EG. 9

FLYING, IN CENTRE PORTION FUSELAGE

Ref. No.	Part No.	Description	No. off	Matl. Spec.	Cl. of St.	Plate and Illust'n No.
					M.R.	
		1 2 3 4				
		LEVER, ELEVATOR, GROUP (24R4426) (Cont'd)				
		Attachments—Bracket, Part No. 7R3550				
28D/1202771	A25/4G	Bolt, 5/16" BSF	4	—	C	
28W/9419403	SP13/G	Washer, 5/16"	4	—	C	
1433603	14R4426	LEVER, GROUP (Mod. 2239)	1	—	C	
		Attachment—Lever, Part No. 8R4426				
28D/1213746	A30/20E	Bolt, 1/4" BSF	1	—	C	
28M/1011467	A27/ES	Nut, slotted, 1/4" BSF	1	—	C	
28P/9527619	SP90/C7	Pin, split, 1/16" dia.	1	—	C	
28W/9418921	SP13/E	Washer, 1/4"	4	—	C	
	25R4426	LEVER, AILERON, GROUP (Mod. 2239)	1	—	MR	EG1/73
		Spares for:—				
2A/9500410	HOFFMAN CS.1	Bearing	1	—	C	
1433751	19R4426	BRACKET, BEARING, GROUP (Mod. 2239)	1	—	C	
		Spares for:—				
2A/9500410	HOFFMAN CS.1	Bearing	1	—	C	
17944	10SS5880	Plate, securing	1	—	C	
		Attachments—Bracket, Part No. 4R3550				
28D/1202771	A25/4G	Bolt, 5/16" BSF	4	—	C	
28W/9419403	SP13/G	Washer, 5/16"	4	—	C	
1433602	13R4426	LEVER, GROUP (Mod. 2239)	1	—	C	
		Attachment—Lever, Part No. 6R4426				
28D/1213745	A30/19E	Bolt, 1/4" BSF	1	—	C	
28M/1011467	A27/ES	Nut, slotted, 1/4" BSF	1	—	C	
28P/9527619	SP90/C7	Pin, split, 1/16" dia.	1	—	C	
28W/9418921	SP13/E	Washer, 1/4"	4	—	C	
		LEVER, BETWEEN FORMERS 21.717 AND 44.592 (I.R.4427)				
		Spares for:—				
		BAG, LEATHER, FOR LEVER (R.3555)				
		Spares for:—				
	2R3555	BAG, LEATHER, GROUP	1	—	MR	EG1/74
		Spares for:—				
4615	6R3555	Clip, half	2	L72	C	
	7R3555	Strip, beading	1	L72		
	8R3555	Strip, beading	1	L72		

CONTROLS

FLYING, IN CENTRE PORTION FUSELAGE

Ref. No.	Part No.	Description	No. off	Matl. Spec.	Cl. of St.	Plate and Illust'n No.
					M.R.	
		1 2 3 4				
		LEVER BETWEEN FORMER 21.717 AND 44.592 (1R4427) (Cont'd)				
	2R4427	LEVER, CONNECTING, GROUP	1	—		EG1/75
		Spares for:—				
	3R3466	FORK-END, GROUP	1	—	MR	EG1/76
		Spares for:—				
2A/9500410 17944	SKEFCO I.132628 10SS5880 3R4427	Bearing	2	—	C	
		Plate, securing	2	—	C	
		Fork-end	1	DTD364B	MR	EG1/77
		Attachments—Lever, Part No. 1R4427				
13341	5R3466	Bolt, shoulder	1	S96	C	
28M/5808573	A27/CS	Nut, slotted, 2BA	1	—	C	
28P/9527619	SP90/C7	Pin, split, 1/16" dia.	1	—	C	
28W/9419402	SP13/C	Washer, 2 BA	1	—	C	
		LEVER, IDLER, FLYING CONTROL AT RIB 112.38, AFT REAR SPAR, PORT AND STBD. (1 & 2R4194)				EG3/78
		Spares for:—				
2A/9500412	SKEFCO CBS.3 6R4194	Bearing	1	—	C	
		LEVER, GROUP	1	—	MR	
		Spares for:—				
2A9500412 17942	SKEFCO CBS.3 2SS5880 AS.2811/8/068	Bearing	1	—	C	
		Plate, securing	1	—	C	
		Tube, distance	1	—		
6600	5R4164	Washer, special lever bearing	2	L65	C	
		Attachments—lever, Part No. 6R4194				
28D/9435058	A59/17J	Bolt, 3/8" BSF	1	—	C	
28M/1011476	A27/JS	Nut, slotted, 3/8" BSF	1	—	C	
28P/9527619	SP90/C7	Pin, split, 1/16" dia.	1	—	C	
28W/9419489	SP16/J	Washer, 3/8"	1	—	C	
		MOUNTING, TORQUE SHAFT, AILERON, AT REAR SPAR (1R4192)				EG3/79
		Spares for:—				
2A/9500412	SKEFCO CBS.3	Bearing	1	—	B	
6603	4R4185	HOUSING, C/W BEARING, GROUP	1	—	C	EG3/80
		Spares for:—				
2A/9500466 17942	SKEFCO I.132499 2SS5880	Bearing	1	—	C	
		Plate, securing	1	—	C	

VULCAN MR. 2

CONTROLS

FLYING, IN CENTRE PORTION FUSELAGE

Ref. No.	Part No.	Description	No. off	Mati. Spec.	Cl. of St.	Plate and Illust'n No.
					M.R.	
		1 2 3 4				
8636	8R4420	MOUNTING, TORQUE SHAFT, AILERON AT REAR SPAR (1.R.4192) (Cont'd)	1	—	C	EG3/81
		HOUSING, C/W BEARING, GROUP				
		Spares for:—				
	SKEFCO	Bearing	1	—	C	
2A/9500466	I.132499	Plate, securing	1	—	C	
17942	2SS5880	Attachments—Housing, Part Nos. 4R4185 & 8R4420				
		Bolt, 2 BA	8	—	C	
28D/9436920	A25/1C	Nut, slotted, 2 BA	8	—	C	
28M/1013107	A24/CS	Pin, split, 1/16" dia.	8	—	C	
28P/9527619	SP90/C7	Washer, 2 BA	8	—	C	
28W/9419402	SP13/C					
	7R4192	LEVER, GROUP	1	—		EG3/82
		Spares for:—				
	SKEFCO	Bearing	1	—	C	
2A/9500412	CBS.3	Plate, securing	1	—	C	
17942	2SS5880	Attachments—Lever, Part No. 7R4192				
		Bolt, 3/8" BSF	1	—	C	
28D/9435058	A59/17J	Nut, slotted, 3/8" BSF	1	—	C	
28M/1011476	A27/JS	Pin, split, 1/16" dia.	1	—	C	
28P/9527619	SP90/C7	Washer, 3/8"	1	—	C	
28W/9419466	SP13/J					
1433859	1R4963	TUBE, TORQUE, GROUP (Mod. 2183)	1	—	B	EG3/83
		Spares for:—				
	7R4963	Lever	1	DTD304	MR	EG3/84
	9R4963	Lever	1	DTD304	MR	EG3/85
	3R4963	Lever	1	DTD304	MR	EG3/86
17693	15R4421	Socket, end	1	S96	C	EG3/87
	12R4963	Socket, end	1	S96	MR	EG3/88
6600	5R4164	Washer, special, lever bearing	2	L65	C	
						EG3/89
		MOUNTING, ELEVON MIXER UNIT, AT REAR SPAR (1R4184)				
		Spares for:—				
	SKEFCO	Bearing	3	—	C	
2A/9500412	CBS.3					
		LEVER, GROUP	1	—	C	EG3/90
6648	2R4184	LEVER, C/W BEARING, GROUP	1	—	C	EG3/91
6649	16R4184	Spares for:—				
		Bearing	1	—	C	
2A/9500412	SKEFCO	Plate, securing	1	—	C	
17942	CBS.3					
	2SS5880					

CONTROLS

FLYING, IN CENTRE PORTION FUSELAGE

Ref. No.	Part No.	Description	No. off	Matl. Spec.	Cl. of St.	Plate and Illust'n No.
					M.R.	
		1 2 3 4				
6646	4R4184	MOUNTING, ELEVON MIXER UNIT, AT REAR SPAR (1R4184) (Cont'd) LEVER, C/W BEARING, TOP, GROUP	1	—	C	EG3/92
		Spares for:—				
2A/9500412	SKEFCO	Bearing	1	—	C	
17942	CBS.3	Plate, securing	1	—	C	
6647	10R4184	LEVER, C/W BEARING, BOTTOM, GROUP Spares for:—	1	—	C	EG3/93
2A/9500412	SKEFCO	Bearing	1	—	C	
17942	CBS.3	Plate, securing	1	—	C	
		Attachments—Lever, Part No. 2, 4, 10 & 16R4184				
6650	7R4184	Bolt, special	1	—	C	
	A59/29J	Bolt, 3/8" BSF	1	—	C	
28M/1011476	A27/JS	Nut, slotted, 3/8" BSF	2	—	C	
28P/9527619	SP90/C7	Pin, split, 1/16" dia.	2	—	C	
28W/9419466	SP13/J	Washer, 3/8"	2	—	C	
6645	5R4184	ROD, CONTROL, GROUP	1	—	C	EG3/94
		Spares for:—				
7904	9R4184	EYE-END C/W BEARING, GROUP	2	—	C	
		Spares for:—				
2A/9500465	SKEFCO	Bearing	1	—	C	
17942	I.32498	Plate, securing	1	—	C	
		Attachment—Control Rod, Part No. 5R4184				
28D/1213610	A59/10G	Bolt, 5/16" BSF	2	—	C	
28M/5880857	A27/GS	Nut, slotted, 5/16" BSF	2	—	C	
28P/9527619	SP90/C7	Pin, split, 1/16" dia.	2	—	C	
		MOUNTING, AUTO-PILOT SERVO MOTORS, FIN POST AND AFT FACE OF REAR SPAR (2R4198)				EG3/95
		Spares for:—				
5K/3409	AS.3360/C6G	Lead, bonding	1	—	C	
10886	1R4653	LEVER, GROUP (Mod. 1073)	1	—	B	EG3/96
		Attachments—Lever, Part No. 1R4653				
28M/1013107	9R4350	Bolt, special (Mod. 1073)	6	S96	MR	
28P/9527619	A24/CS	Nut, slotted, 2 BA	6	—	C	
28W/9419402	SP90/C7	Pin, split, 1/16" dia.	6	—	C	
	SP13/C	Washer, 2 BA	6	—	C	

VULCAN Mk. 2

CONTROLS

Page EG. 13

FLYING, IN CENTRE PORTION FUSELAGE

Ref. No.	Part No.	Description	No. off	Matl. Spec.	Cl. of St.	Plate and Illust'n No.
					M.R.	
		1 2 3 4				
MOUNTING, AUTO-PILOT SERVO MOTORS, FIN POST AND AFT FACE OF REAR SPAR (2R4198) (Cont'd.)						
6TB/2682	SMITH 385EAP	Motor, servo, type "C" (Mod.2432)	1	—	A	EG3/97
6TB/232	SMITH 111EAP	Mounting, servo motor	1	—	A	EG3/98
2867	11R3594	Attachments—Servo Motor and Mounting, Ref. Nos. 6T/232 and 307				
28M/1011467	A27/ES	Bolt, special	6	—	C	
28P/9527619	SP90/C7	Nut, slotted, 1/4" BSF	6	—	C	
28W/9418921	SP13/E	Pin, split, 1/16" dia.	6	—	C	
		Washer, 1/4"	6	—	C	
MOUNTING, ELEVATOR, TORQUE SHAFT, AT REAR SPAR, PORT (1R4448) (Mod. 761)						
Spares for:—						
	14R4448	Bracket, auto servo unit mounting	1	—		EG3/99
Attachments—Bracket, Part No. 14R4448						
28D/1200119	A25/4C	Bolt, 2 BA	2	—	C	
28D/1010030	A25/7C	Bolt, 2 BA	2	—	C	
28M/5808573	A27/CS	Nut, slotted, 2 BA	4	—	C	
28P/9527619	SP90/C7	Pin, split, 1/16" dia.	4	—	C	
28W/9419402	SP13/C	Washer, 2 BA	4	—	C	
6603	4R4185	HOUSING, BEARING, GROUP	3	—	C	EG3/101
Spares for:—						
2A/9500466	SKEFCO I.132499	Bearing	1	—	C	
17942	2SS5880	Plate, securing	1	—	C	
6653	11R4195	HOUSING, BEARING, GROUP	1	—	C	EG3/102
Spares for:—						
2A/9500466	SKEFCO I.132499	Bearing	1	—	C	
17942	2SS5880	Plate, securing	1	—	C	
Attachments—Bearing Housing Part Nos. 4R4185 and 11R4195						
10169	39D9085	Bolt, special	2	—	C	
	25R4195	Bolt, special	2	—	C	
28D/9436920	A25/1C	Bolt, 2 BA	7	—	C	
28D/9133011	A25/2C	Bolt, 2 BA	5	—	C	
28M/5808573	A27/CS	Nut, slotted, 2 BA	12	—	C	
28P/9527619	SP90/C7	Pin, split, 1/16" dia.	12	—	C	
28W/9419402	S3/C	Washer, 2 BA	12	—	C	
6654	12R4195	Packing, tapered for bearing housing 1R4195	1	—	C	

CONTROLS

FLYING, IN CENTRE PORTION FUSELAGE

Ref. No.	Part No.	Description	No. off	Matl. Spec.	Cl. of St.	Plate and Illust'n No.
					M.R.	
		1 2 3 4				
1433866	1R4967	MOUNTING, ELEVATOR TORQUE SHAFT AT REAR SPAR, PORT (1R4448) (Mod. 761) (Cont'd) SHAFT, TORQUE, ELEVATOR, GROUP	1	—	B	EG3/103
		(Mod. 2183) Spares for:—				
	2R4967	Lever, bell crank (Mod. 2183)	1	—	MR	EG3/104
	4R4967	Socket, end (Mod. 2183)	1	—	MR	EG3/87
	12R4963	Socket, end (Mod. 2183)	1	—	MR	EG3/88
1433865	1R4966	SHAFT, TORQUE, GROUP (Mod. 2183)	1	—	B	EG3/105
		Spares for:—				
	2R4966	Lever (Mod. 2183)	1	—	MR	EG3/106
	3R4966	Lever (Mod. 2183)	1	—	MR	EG3/107
17693	15R4421	Socket, end	1	—	C	
17694	16R4421	Socket, end	1	—	C	
28M/1011467 28P/9527619 28W/9418921	A27/ES	Attachments—Torque Shafts Part Nos. 4R4372 and 29R4195 Nut, slotted, 1/4" BSF	2	—	C	
	SP90/C7	Pin, split, 1/16" dia.	2	—	C	
	SP13/E	Washer, 1/4"	2	—	C	
1433102	26R4188	MOUNTING, ARTIFICIAL FEET UNIT,	1	—	B	EG4/108
		AILERON, GROUP (Mod. 2075) Spares for:—				
	51R4156	UNIT, ARTIFICIAL FEET, GROUP	1	—		EG4/109
		Spares for:—				
	20R4155	BAR, TORSION, GROUP	1	—	MR	EG4/110
		Spares for:—				
	21R4155	Bar, torsion	2	—		
2A/9500418	HOFFMAN T13	Bearing	2	—	C	
	R. & M.					
28R/4665592	CM3/16"B	Bearing, rod-end	1	—	B	EG4/111
	R. & M.					
28R/4665593	CM3/16" BL	Bearing, rod-end	2	—	B	EG4/112
	2R4155	BRACKET, MOUNTING, GROUP	1	—		
		Spares for:—				
		Bearing	1	—	C	
2A/9500412	R. & M. CK3/8"A	Plate, securing	1	—	C	
17942	2SS5880	Clamp	2	—		
	15R4155					
	13R4155	EYE-END, C/W BEARING, GROUP	1	—		EG4/113
		Spares for:—				
		Bearing	2	—	C	
2A/9500465	SKEFCO I.132498	Plate, securing	2	—	C	
17942	2SS5880					

VULCAN Mk. 2

CONTROLS

FLYING, IN CENTRE PORTION FUSELAGE

Ref. No.	Part No.	Description	No. off	Matl. Spec.	Cl. of St.	Plate and Illust'n No.
					M.R.	
		1 2 3 4				
		BAR, TORSION, GROUP (20R4155) (Cont'd)				
	5R4155	LEVER, C/W BEARING, GROUP	2	—		EG4/114
		Spares for:—				
2A/9500411	R. & M. CK1/4"C	Bearing	1	—	C	
17944	10SS5880 8R4155	Plate, securing	1	—	C	
		Lever	2	—		EG4/115
		Attachments—Lever, Part Nos. 5 & 8R4155				
28D/1011246	A25/11E	Bolt, 1/4" BSF	8	—	C	
28M/1011467	A27/ES	Nut, slotted, 1/4" BSF	8	—	C	
28P/9527619	SP90/C7	Pin, split	8	—	C	
28W/9418920	SP10/E	Washer, 1/4"	8	—	C	
28W/9418921	SP13/E	Washer, 1/4"	8	—	C	
	7R4155	LINK, C/W BEARING, GROUP	1	—		EG4/116
		Spares for:—				
2A/9500466	SKEFCO I.132499	Bearing	2	—	C	
17942	2SS5880	Plate, securing	2	—	C	
		Attachments—Link, Part No. 7R4155				
28M/1011467	A27/ES	Nut, slotted, 1/4" BSF	2	—	C	
28P/9527619	SP90/C7	Pin, split, 1/16" Dia.	2	—	C	
28W/9418921	SP13/E	Washer, 1/4"	2	—	C	
	16R4155	Locknut (Make from A27/JT)	2	—		EG4/117
	17R4155	Locknut	2	—		EG4/118
	3R4155	Plate, Link	2	—		EG4/119
	4R4155	Plate, Link	2	—		EG4/120
		Attachments—Link plate Part Nos. 3 & 4R4155				
28D/1215685	A59/6E	Bolt, 1/4" BSF	1	—	C	
28D/1215687	A59/8E	Bolt, 1/4" BSF	1	—	C	
28M/1011467	A27/ES	Nut, slotted, 1/4" BSF	2	—	C	
28P/9527619	SP90/C7	Pin, split	2	—	C	
26TA/3457	1SS4665	Washer	2	—	C	
	14R4155	Washer, special	2	—		
28W/9418921	SP13/E	Washer, 1/4"	2	—	C	
	9R4155	Roller	1	—		EG4/121
	10R4155	Roller	1	—		EG4/122
	11R4155	Stop	1	—		
	12R4155	Turnbuckle	2	—		
		Attachments—Torsion Bar, Part No. 20R4155				
28D/1215659	A59/3C	Bolt, 2 BA	6	—	C	
28M/5808573	A27/CS	Nut, slotted, 2 BA	6	—	C	
28P/9486478	SP90/C5	Pin, split, 1/16" dia.	5	—	C	
28W/9419402	SP13/C	Washer, 2 BA	6	—	C	

CONTROLS

FLYING, IN CENTRE PORTION FUSELAGE

Ref. No.	Part No.	Description	No. off	Matl. Spec.	Cl. of St.	Plate and Illust'n No.
					M.R.	
		1 2 3 4				
5X/6200370	1V5650	UNIT, ARTIFICIAL, FEEL, GROUP (51R4156) (Cont'd)				
	35R4156	Block, terminal	1	—	C	EG4/123
1433967	46R4156	COVER, CAM LEVER, GROUP	1	—		EG4/124
	3R4156	Lever, actuating from Control rod	1	L65	C	EG4/125
	34R4156	Lever, to actuating rod below mounting	1	L65	MR	EG4/126
	41R4156	Pin, striker	1	—		
	28R4156	Plate, cover, cam lever	1	L72		
	37R4156	ROLLER, GROUP	1	—	MR	EG4/127
			Spares for:—			
2A/9500409 1433966	37aR4156	Arm, lever	1	DTD130		
	HOFFMAN CSO	Bearing	1	—	C	
1R4169	36R4156	Extension, lever	1	L72		
		ROD, ACTUATOR, GROUP	1	—		EG4/128
5W/2847		Spares for:—				
	ROTAX A1708	Actuator	1	—	A	
	8R3666	Bolt, special	4	S94 or 95	MR	
1433185	2R4169	EYE-END, adjustable C/W	1	—	C	EG4/129
		BEARING, GROUP Spares for:—				
2A/9500465	SKEFCO I.32498	Bearing	1	—	C	
	17942	Plate, securing	1	—	C	
2A/9500465	3R4169	EYE-END, FIXED, C/W BEARING,	1	—	MR	EG4/130
		GROUP Spares for:—				
17942	SKEFCO I.132498	Bearing	1	—	C	
		Plate, securing	1	—	C	
9373	2SS5880	Locknut (Make from A27/JT)	1	—	MR	
	9R3666		1	—		
5W/3718	5R4358	ROD, TRIM, ACTUATOR, GROUP	1	—	A	EG4/131
		Spares for:—				
	ROTAX A1711	Actuator	1	—	A	
	9R4348	Adjuster	1	—	MR	
2A/9500465	8R3666	Bolt, special	4	S94 or 95	MR	
	4R4358	EYE-END, ADJUSTABLE, GROUP	1	—	MR	EG4/132
17942		Spares for:—				
	SKEFCO I.132498	Bearing	1	—	C	
	2SS5880	Plate, securing	1	—	C	

VULCAN ML 2

CONTROLS

Page EG. 17

FLYING, IN CENTRE PORTION FUSELAGE

Ref. No.	Part No.	Description	No. off	Matl. Spec.	Cl. of St.	Plate and Illust'n No.
					M.R.	
		1 2 3 4				
11941		ROD, TRIM ACTUATOR, GROUP (5R4358) (Cont'd)				
	2R4358	Eye-end, fixed	1	L65	MR	EG4/133
	5R4348	Locknut, special	1	S114 or 117	MR	EG4/42
	9R3666	Locknut (Make from A27/JT).....	1	—	C	EG4/43
	12R4156	Shaft, Cam, 875 dia. x 4" long.....	1	S89	MR	
	49R4156	SPRING AND LUGS, GROUP	1	—		EG4/134
		Spares for:—				
	50R/4156	Lug	2	—		
	264SS4700	Spring	1	—		
	42R4156	SWITCH, MICRO AND CABLE, GROUP	1	—		EG4/135
5CW/6865		Spares for:—				
	HONEYWELL I.EN.N.14 SMITHS INST. 914.FL	Switch, micro	1	—	B	
		Transmitter, "Follow Up"	1	—		
		Attachments—Unit, Part No. 51R4156				
	28D/1215682	Bolt, 1/4" BSF	5	—	C	
	28D/1215683	Bolt, 1/4" BSF	3	—	C	
	28D/9436920	Bolt, 2 BA	8	—	C	
	28M/1011467	Nut, slotted, 1/4" BSF	6	—	C	
	28P/9527619	Pin, split, 1/16" dia.	6	—	C	
	28W/9418921	Washer, 1/4"	6	—	C	
	21V8400	UNIT, ELECTRICAL, AILERON, GROUP	1	—		EG4/136
		(For breakdown see:— Electrical Installation)				
		MOUNTING, ARTIFICIAL FEEL UNIT,				EG5/137
		RUDDER TRIM ACTUATOR AND SERVO MOTOR (R4349) (Mod. 2075)				
		MOUNTING, ARTIFICIAL FEEL UNIT,	—	—		EG5/138
		ELEVATOR, TRIM ACTUATOR AND SERVO MOTOR (R4350) (Mod. 2075)				
		Spares for:—				
	10R4349	Bolt, special, attachment lever to cover plate, rudder and elevator	1	S96	C	
2867	11R3594	Bolt, special, servo mounting, elevator	4	—	C	
	12R3594	Bolt, special, servo mounting, elevator	2	—	MR	
2995	12R3594	Bolt, special, servo mounting, rudder	6	—	C	
2866	14R3594	Bolt, special, lever attachment, rudder	6	—	C	
	9R/4350	Bolt, special, lever attachment, elevator	6	—	MR	

CONTROLS
FLYING, IN CENTRE PORTION FUSELAGE

Ref. No.	Part No.	Description	No. off	Matl. Spec.	Cl. of St.	Plate and Illust'n No.
					M.R.	
		1 2 3 4				
		MOUNTING, ARTIFICIAL FEEL UNIT, RUDDER TRIM ACTUATOR AND SERVO MOTOR (R4349) (Mod. 2075) (Cont'd.) MOUNTING, ARTIFICIAL FEEL UNIT, ELEVATOR TRIM ACTUATOR AND SERVO MOTOR (R4350) (Mod. 2075) (Cont'd.)				
	1R4101	LEVER, OPERATING RUDDER, GROUP	1	—	MR	EG5/139
		Spares for:—				
	2R4101	BEARING, CENTRE, GROUP	1	—	MR	EG5/140
		Spares for:—				
2A/9500413 17942	SKEFCO 400015 2SS5880	Bearing	1	—	C	
		Plate, securing	1	—	C	
	3R4101	EYE-END, C/W BEARING, GROUP	1	—	MR	EG5/141
		Spares for:—				
2A/9500465 17942	SKEFCO 1.132498 2SS5880 6R3631	Bearing	2	—	C	
		Plate, securing	2	—	C	
		Fork-end	1	DTD130	MR	EG5/142
	1R4102	LEVER, OPERATING, ELEVATOR, GROUP.....	1	—	MR	EG5/143
		Spares for:—				
	2R4102	BEARING, CENTRE, GROUP	1	—	MR	EG5/144
		Spares for:—				
2A9500413 17942	SKEFCO 400015 2SS5880	BEARING	1	—	C	
		Plate, securing	1	—	C	
	3R4102	EYE-END, C/W BEARING, GROUP	1	—	MR	EG5/145
		Spares for:—				
2A/9500465 17942	SKEFCO 1.132498 2SS5880 5R3632	Bearing	2	—	C	
		Plate, securing	2	—	C	
		Fork-end	1	DTD130	MR	EG5/146
8917	37R3625	LEVER, SERVO MOTOR, RUDDER,	1	—	C	EG5/147
		MOUNTING, GROUP				
	7R4350	LEVER, SERVO MOTOR, ELEVATOR	1	—		EG5/148
		MOUNTING, GROUP				
6TB/2681	104EAP	Motor, servo, type "B", auto-pilot, rudder	1	—	A	EG5/149

VULCAN Mk. 2

CONTROLS

Page EG.19

FLYING, IN CENTRE PORTION FUSELAGE

Ref. No.	Part No.	Description	No. off	Matl. Spec.	Cl. of St.	Plate and Illust'n No.
					M.R.	
		1 2 3 4				
		MOUNTING, ARTIFICIAL, FEEL UNIT, RUDDER TRIM ACTUATOR AND SERVO MOTOR (R4349) (Mod. 2075) (Cont'd.)				
		MOUNTING, ARTIFICIAL FEEL UNIT, ELEVATOR TRIM ACTUATOR AND SERVO MOTOR (R4350) (Mod. 2075) (Cont'd.)				
6TB/4545190	103EAP	Motor, servo, type "A", auto-pilot, Elevator	1	—	A	EG5/150
6TB/4545192	111EAP	Mounting, servo motor, Rudder and Elevator	1	—	A	EG5/151
	12R4348	ROD, TRIM AND ACTUATOR, RUDDER, GROUP	1	—		EG5/152
	1R4460	ROD, TRIM AND ACTUATOR, ELEVATOR, GROUP	1	—	MR	EG5/153
		Spares for:—				
5W/2847	ROTAX A1708	Actuator, trim, Rudder	1	—	A	
5W/2848	A1709	Actuator, trim, Elevator	1	—	A	
	9R4348	Adjuster	1	DTD130	MR	
	8R3666	Bolt, special	1	S94 or 95	MR	
	4R4348	EYE-END, C/W BEARING, GROUP	1	—	MR	EG5/154
		Spares for:—				
2A/9500465	SKEFCO I.132498	Bearing	1	—	C	
17942	2SS5880	Plate, securing	1	—	C	
	4R4101	EYE-END, C/W BEARING, GROUP	1	—		EG5/155
		Spares for:—				
2A/9500465	SKEFCO I.132498	Bearing	1	—	C	
17942	2SS5880	Plate, securing	1	—	C	
	5R4348	Locknut, special	1	S114 or 117	MR	EG5/42
	9R3666	Locknut, special (Make from A27/JT)	1	—	MR	EG5/43
7480	7R4348	ROD, ACTUATING, RUDDER, GROUP	1	—	C	
7479	7R4348	ROD, ACTUATING, ELEVATOR, GROUP	1	—	C	
10181	2R4460	STRUT, SPRING, FEEL, RELIEF, GROUP	1	—	A	EG5/235
		Spares for:—				
1510381	6R4451	Adjuster	1	S96	C	EG5/236
	3R4460	Case, outer	1	DTD130		EG5/237
	4R4460	Case, inner	1	DTD130		EG5/238
1510382	10R4451	Circlip	1	DTD215	C	EG5/239
	AGS1000/1	Clip, Jubilee	1	—		EG5/240
1510386	6R4460	Collar	2	S96	C	EG5/241
	8R4460	Collar	1	S96	MR	EG5/242
1510383	11R4451	Nut, locking	1	—	C	EG5/243

CONTROLS
FLYING, IN CENTRE PORTION FUSELAGE

Ref. No.	Part No.	Description	No. off	Matl. Spec.	Cl. of St.	Plate and Illust'n No.
					M.R.	
		1 2 3 4				
		STRUT, SPRING, FEEL, RELIEF, GROUP (2R4460) (Cont'd.)				
1510384	12R4451	Nut, locking	1	—		EG5/244
	AS455/311	Rivet	1	—		EG5/245
	5R4460	SPINDLE, GROUP	1	—	MR	EG5/246
		Consisting of:—				
2A/9500465	I.132498	Ballrace	1	—	C	
17942	2SS5880	Plate, securing	1	—	C	
	5aR4460	Rod	1	S96		
	9R4460	Washer, Belleville	66	Terry 1383/B	MR	EG5/247
7481	1R4360	ROD, CONTROL, ADJUSTABLE, LEVER TO LEVER ON RUDDER MOUNTING, GROUP	1	—	B	EG5/156
		Spares for:—				
	3R4360	Adjuster	1	DTD130		
	97R3296	EYE-END, C/W BEARING, GROUP	1	—	MR	EG5/157
		Spares for:—				
2A/9500465	SKEFCO I.132498	Bearing	1	—	C	
17942	2SS5880	Plate, securing	1	—	C	
	4R4348	EYE-END, C/W BEARING, GROUP	1	—	MR	EG5/154
		Spares for:—				
2A/9500465	SKEFCO I.132498	Bearing	1	—	C	
17942	2SS5880	Plate, securing	1	—	C	
10887	11R4734	STRUT, SPRING, AUTO-PILOT, GROUP	1	—	A	EG5/158
		Spares for:—				
	4R4734	Adjuster	1	S93		
	3R4346	Case	1	—		
	7R4346	Circlip	1	DTD5A or 215		
	5R4346	Collar	2	DTD265A or BS369		
	2R4734	EYE-END, C/W BEARING, GROUP	1	—		EG5/159
		Spares for:—				
2A/9500465	R & M CA2-1	Bearing	1	—	C	
17942	2SS5880	Plate, securing	1	—	C	

CONTROLS

FLYING, IN CENTRE PORTION FUSELAGE

Ref. No.	Part No.	Description	No. off	Matl. Spec.	Cl. of St.	Plate and Illust'n No.
					M.R.	
		1 2 3 4				
		STRUT, SPRING, AUTO-PILOT, GROUP (11R4734) (Cont'd)				
	3R4371	EYE-END, C/W BEARING, GROUP	1	—		EG5/160
	R. & M. CA2-1	Spares for:— Bearing	1	—	C	
17942	2SS5880	Plate, securing	1	—	C	
	AS3360/B3G	Lead, bonding	1	—		
	4R4346	Locknut	1	—		EG5/161
	5SS5025	Locknut	1	—		EG5/162
	5R4734	Plate, locking	2	—		
	6R4734	Plate, mounting	1	—		EG5/163
	7R4734	Plate, mounting	1	—		EG5/164
		Attachments—Plate, Part No. 6 & 7R4734				
	A25/9B	Bolt, 4 BA	3	—	C	
28D/1010142	AGS2001/B/1	Nut, stiff, 4 BA	3	—	C	
28M/1278189	SP10/B	Washer, 4 BA	3	—	C	
28W/9419401	9R4734	Spindle	1	S93		
	2R4731	Spring	1	DTD215		
5CW/1043134	HONEYWELL 1/HS/N3	Switch, micro	1	—	B	
		Attachments—Micro switch Part No. 1/HS/N3				
	A25/9B	Bolt, 4 BA	2	—	C	
28D/1010142	AGS2001/B/1	Nut, stiff, 4 BA	2	—	C	
28M/1278189	SP10/B	Washer, 4 BA	2	—	C	
28W/9419401	AS2808/10/250	Tube, distance	1	T45		
1433101	18R4349	UNIT, ARTIFICIAL FEEL, RUDDER, GROUP	1	—	A	EG5/165
1433099	29R4350	UNIT, ARTIFICIAL FEEL, ELEVATOR, GROUP (For a/c fitted with Mod. 1856)	1	—	A	EG5/166
1433100	30R4350	UNIT, ARTIFICIAL FEEL, ELEVATOR, GROUP (For a/c not fitted with Mod. 1856)	1	—	A	
		Spares for:—				
	50R3625	Bolt, special, attachment electrical unit to . . artificial fuel unit	6	—		
	34R4097	UNIT, ARTIFICIAL, FEEL, RUDDER, GROUP	1	—		EG5/170
	7R4351	UNIT, ARTIFICIAL, FEEL, ELEVATOR, GROUP	1	—		EG5/171
		Spares for:—				
	BURGESS & Co. V.L.R.1	Actuator, auxiliary	2	—		EG5/172
5W/4511955	ROTAX A0117/A	Actuator, main, rudder	1	—	MR/A	EG5/173
5W/4520698	ROTAX A0117/D	Actuator, main elevator	1	—	MR/A	EG5/174
5W/4511914	ROTAX A0904	Actuator, relief	1	—	MR/A	EG5/175

CONTROLS

FLYING, IN CENTRE PORTION FUSELAGE

Ref. No.	Part No.	Description	No. off	Matl. Spec.	Cl. of St.	Plate and Illust'n No.
					M.R.	
		1 2 3 4				
		UNIT, ARTIFICIAL FEEL, RUDDER, GROUP (34R4097) (Cont'd)				
		UNIT, ARTIFICIAL FEEL, ELEVATOR, GROUP (7R4351) (Cont'd)				
	33R3659	ARM, ADJUSTABLE, GROUP	1	—	MR	
	28R/4097	Arm, trigger	1	DTD124A	MR	
	27R3659	Block, terminal	1	—		
		Attachments—Terminal Block, Part No. 27R3659				
		Nut, stiff, 6 BA	2	—	C	
		Screw, roundhead, 6 BA	2	—	C	
		Washer, 6BA	2	—	C	
28M/1987493	AGS.2001/A/1	Bolt, special, for attachment fuel spring Unit to bracket	2	S94 or S95	MR	
28S/1011484	A32/A20	Bolt, shouldered, main actuator	1	S1	MR	
28W/9419446	SP10/A	Bolt, special, slotted lever	1	S96	MR	
	11R3502					
	32R3598					
	45R3598					
	3R3661	BOX, STRUCTURE, RUDDER, GROUP	1	—	MR	EG5/176
	2R3661	BOX, STRUCTURE, ELEVATOR, GROUP	1	—	MR	EG5/177
		Spares for:—				
	35R3659	Bolt, for lid	4	—	C	
	36R3661	Lid	1	L72	MR	
	8R4097	CAM, RUDDER, GROUP	1	—	MR	
	7R4097	CAM, ELEVATOR, GROUP	1	—	MR	
	25R3548	Circlip, for input shaft	1	Steel wire	MR	
	21R4097	LEVER, ARM, GROUP	1	—	C	EG5/178
	50R3598	LEVER, SLOTTED, GROUP	1	—		EG5/179
		Spares for:—				
	HOFFMAN N3112	Bearing	1	—	C	
	101R3598	Pin	1	—		
17942	2SS5880	Plate, securing	1	—	C	
	1R3601	LEVER, SHAFT, GROUP	1	—		EG5/180
	1R3853	RACE, NEEDLE ROLLER, GROUP	1	—		EG5/181
	13R3657	ROLLER, GROUP	2	—	MR	EG5/182
		Spares for:—				
	13b3657	Bush, "Oilite, 3/4" x 1/2"	1	—	MR	
	30R3659	Seal, sorbo sponge, 2-1/4" x 2" x 5/8"	1	Rubber	MR	EG5/183
	42R3659	Seal, 2-1/4" x 2-1/4" x 1/8"	1	DTD590	MR	EG5/184
	1R4675	SHAFT, INPUT, RUDDER, GROUP	1	—		EG5/185
	2R4675	SHAFT, INPUT, ELEVATOR, GROUP	1	—		EG5/186
		Spares for:—				
	3R4675	Bush, sliding	2	—		
	19R3502	End, adjustable	1	—		

VULCAN MR. 2

CONTROLS

Page EG. 23

FLYING, IN CENTRE PORTION FUSELAGE

Ref. No.	Part No.	Description	No. off	Matl. Spec.	Cl. of St.	Plate and Illust'n No.	
					M.R.		
		1	2	3	4		
		SHAFT, INPUT, RUDDER, GROUP (1R4675)					
		SHAFT, INPUT, ELEVATOR, GROUP (2R4675) (Cont'd)					
9643	4R4675	Housing, spring	1	—	C	EG5/187	
9644	5R4675	Housing, spring	1	—	C	EG5/188	
28F/4051601	AGS1148/G	Nut, thin	1	—	C		
	6R4095	Spring, rudder	1	—			
	2R4461	Spring, elevator	1	—	MR		
	4R3600	Rod, control	1	—		EG5/189	
	5R3600	Rod, control	1	—		EG5/190	
	33R4097	SPRING AND LUGS, GROUP	1	—		EG5/191	
		Spares for:—					
	5SS4358	Lug	2	—			
	263SS4700	Spring	1	—	MR		
5CW/1083934	BURGESS MS.1557A	Switch, limit	2	—	A		
	SMITHS INST. 914.FL	Transmitter, follow up	1	—	MR		
10630	1R4676	UNIT, FEEL, SPRING, RUDDER AND ELEVATOR, GROUP	1	—	B	EG5/192	
		Spares for:—					
	2R4676	BODY, HALF, GROUP	1	—		EG5/193	
		Spares for:—					
2A/9500412	SKEFCO	Bearing	2	—	C		
17942	CBS.3	Plate, securing	2	—	C		
	3R4676	Body, half	1	—		EG5/194	
	12R3598	Circlip	1	Steel wire	MR		
	10R4096	Collar, sliding	2	L65 or DTD130			
4078	8R3596	Fork-end	1	S1	C		
	6R4096	ROD	1	S1			
	7R3596	Rod-end	1	S1			
	7R4096	Spring	1	—	MR		
	22V8400	UNIT, ELECTRICAL, RUDDER, GROUP	1	—	MR	EG5/195	
	23V8400	UNIT, ELECTRICAL, ELEVATOR, GROUP (For A/c fitted with Mod. 1856)	1	—	MR	EG5/196	
	24V8400	UNIT, ELECTRICAL, ELEVATOR, GROUP (For A/c not fitted with Mod. 1856) (For breakdown see:— Electrical installation)	1	—	MR		
		Attachments—Feel units, Part Nos. 18R4349 and 29 or 30R4350					
28D/1213765	A30/2E	Bolt, 1/4" BSF	5	—	C		
28D/1213766	A30/3E	Bolt, 1/4" BSF	7	—	C		
28D/1212231	A57/8G	Bolt, 5/16" BSF	2	—	C		

CONTROLS

FLYING, IN CENTRE PORTION FUSELAGE

Ref. No.	Part No.	Description	No. off	Matl. Spec.	Cl. of St.	Plate and Illust'n No.
					M.R.	
		1 2 3 4				
		Attachment—Feel units, Part Nos. 18R4349 and 29 or 30R4350 (Cont'd)				
28M/4199604	A58/GS	Nut, slotted, 5/16" BSF	2	—	C	
28W/9418921	SP13/E	Washer, 1/4"	12	—	C	
28W/9419403	SP13/G	Washer, 5/16"	2	—	C	
4146	132R3577	ROD, CONTROL, AILERON AND ELEVATOR, FROM JOINT BETWEEN FORMERS 218F AND 204E TO JOINT BETWEEN FORMERS 130F AND 115.5F, GROUP Spares for:—	2	—	B	EG1/197
	126R3577	FORK-END, GROUP	1	—	MR	
1660	102R3577	Spares for:— Bush, 9/16" dia. x 3/16" long	2	S96	C	
4147	133R3577	ROD, CONTROL, RUDDER, FROM JOINT BETWEEN FORMERS 218F and 204F, TO JOINT BETWEEN FORMERS 130F AND 115.5F, GROUP Spares for:—	1	—	B	EG1/198
	126R3577	FORK-END, GROUP	1	—	MR	
1660	102R3577	Spares for:— Bush, 9/16" dia. x 3/16" long	2	S96	C	
	6R3592	LEVER, GROUP	1	—		
1669	6bR3592	Spares for:— Spigot	1	S1	C	
4149	156R3577	ROD, CONTROL, AILERON, FROM JOINT BETWEEN FORMERS 130F AND 115.5, TO AILERON LEVER BETWEEN FORMERS 86.5F AND 75F, STARBOARD, GROUP Spares for:—	1	—	B	EG1/199
7820	121R3577	EYE-END, C/W BEARING, GROUP	2	—	C	
		Spares for:—				
2A/9500465	SKEFCO	Bearing	1	—	C	
17942	I.132498	Plate, securing	1	—	C	
4149	158R3577	ROD, CONTROL, ADJUSTABLE, ELEVATOR AND RUDDER, FROM JOINT BETWEEN FORMERS 130F AND 115.5F TO LEVERS BETWEEN FORMERS 86.5F AND 75F, PORT, GROUP Spares for:—	2	—	B	EG1/200
7820	121R3577	EYE-END, C/W BEARING, GROUP	1	—	C	EG1/201
		Spares for:—				
2A/9500465	SKEFCO	Bearing	1	—	C	
17942	I.132498	Plate, securing	1	—	C	

VULCAN Mk. 2

CONTROLS

Page EG. 25

FLYING, IN CENTRE PORTION FUSELAGE

Ref. No.	Part No.	Description	No. off	Matl. Spec.	Cl. of St.	Plate and Illust'n No.
					M.R.	
		1 2 3 4				
11185	38R3577	ROD, CONTROL, ADJUSTABLE ELEVATOR AND RUDDER, FROM JOINT BETWEEN FORMERS 130F AND 115.5F TO LEVERS BETWEEN FORMERS 86.5 AND 75F PORT, GROUP (158R3577) Cont'd) EYE-END, ADJUSTABLE, GROUP	1	—	C	EG1/202
		Spares for:—				
2A/9500465 17942	SKEFCO I.132498	Bearing	1	—	C	
4099	2SS5880	Plate, securing	1	—	C	
4100	77R3577	Locknut, R.H. Thread	1	DTD364B	C	
4101	78R3577	Locknut, L.H. Thread	1	DTD364B	C	
	79R3577	Screw, adjusting	1	T45 or S1	C	
	100R3577	Sleeve, screwed	1	DTD364B		
	134R3577	ROD, CONTROL, AILERON, ELEVATOR AND RUDDER, FROM LEVER BETWEEN FORMERS 86.5F AND 75F, TO JOINT BETWEEN FORMERS 42F AND 27F, GROUP	3	—		EG1/203
		Spares for:—				
7820	121R3577	EYE-END, C/W BEARING, GROUP	2	—	C	
		Spares for:—				
2A/9500465 17942	SKEFCO I.132498	Bearing	1	—	C	
	2SS5880	Plate, securing	1	—	C	
4144	137R3577	ROD, CONTROL, AILERON AND RUDDER FROM JOINT BETWEEN FORMERS 42F AND 27F, TO JOINT AFT FRONT SPAR, BETWEEN FORMERS 21.717A AND 44.592A, GROUP	2	—	B	EG1/204
		Spares for:—				
	122R3577	FORK-END, GROUP	2	—	MR	
		Spares for:—				
1674	101R3577	Bush, 9/16" dia. x 1/4" long	2	S96	C	
4143	136R3577	ROD, CONTROL, ELEVATOR, FROM JOINT BETWEEN FORMERS 42F AND 27F, TO JOINT AFT OF FRONT SPAR, PORT, GROUP	1	—	B	EG1/205
		Spares for:—				
	122R3577	FORK-END, GROUP	2	—	MR	
		Spares for:—				
1674	101R3577	Bush, 9/16" dia. x 1/4" long	2	S96	C	

CONTROLS

FLYING, IN CENTRE PORTION FUSELAGE

Ref. No.	Part No.	Description	No. off	Matl. Spec.	Cl. of St.	Plate and Illust'n No.
					M.R.	
		1 2 3 4				
4151	138R3577	ROD, CONTROL, ADJUSTABLE, ELEVATOR, FROM JOINT AFT OF FRONT SPAR TO LEVER BETWEEN FORMERS 21.717A AND 44.592A, PORT, GROUP Spares for:—	1	—	B	EG1/206
7820	121R3577	EYE-END, C/W BEARING, GROUP Spares for:—	1	—	C	EG1/201
2A/9500465 17942	SKEFCO I.132498 2SS5880	Bearing Plate, securing	1 1	— —	C C	
11185	38R3577	EYE-END, ADJUSTABLE, GROUP Spares for:—	1	—	MR/C	EG1/202
2A/9500465 17942	SKEFCO I.132498 2SS5880	Bearing Plate, securing	1 1	— —	C C	
4099	77R3577	Locknut, R.H. Thread	1	DTD364B	C	
4100	78R3577	Locknut, L.H. Thread	1	DTD364B	C	
4101	79R3577	Screw, adjusting	1	T45 or S1	C	
	100R3577	Sleeve, screwed	1	DTD364B		
7928	1R4436	ROD, CONTROL, ADJUSTABLE, AILERON AND RUDDER FROM JOINT BETWEEN FORMERS 21. 717A & 44.592A TO JOINT BETWEEN FORMERS 44.592A & 64.592A, GROUP Spares for:—	2	B		EG1/207
	121R3577	EYE-END, C/W BEARING, GROUP Spares for:—	1	—	MR	
2A/9500465 17942	SKEFCO I.132498 2SS5880 2R4435	Bearing Plate, securing Fork-end, adjustable	1 1 1	— — DTD364B	C C MR	
4099	77R3577	Locknut, R.H., thread	1	DTD364B	C	
4100	78R3577	Locknut, L.H., thread	1	DTD364B	C	
4101	79R3577	Screw, adjusting	1	T45 or S1	C	
	100R3577	Sleeve, screwed	1	DTD364B		

VULCAN Mk. 2

CONTROLS

Page EG. 27

FLYING, IN CENTRE PORTION FUSELAGE

Ref. No.	Part No.	Description	No. off	Matl. Spec.	Cl. of St.	Plate and Illust'n No.
					M.R.	
		1 2 3 4				
7929	1R4435	ROD, CONTROL, ADJUSTABLE ELEVATOR, FROM LEVER BETWEEN FORMERS 21.717A & 44.592A, TO JOINT BETWEEN FORMERS 44.592A & 64.592A, GROUP	1	—	B	EG1/208
7820	121R3577	EYE-END, C/W BEARING, GROUP Spares for:—	1	—	C	
2A/9500465 17942	SKEFCO 1.132498 2SS5880	Bearing Plate, securing	1 1	— —	C C	
4099	2R4435	Fork-end, adjustable	1	DTD364B	MR	
4100	77R3577	Locknut, R.H., thread	1	DTD364B	C	
4101	78R3577	Locknut, L.H., thread	1	DTD364B	C	
	79R3577	Screw, adjusting	1	T45 or S1	C	
	100R3577	Sleeve, screwed	1	DTD364B		
	141R3577	ROD, CONTROL, AILERON, ELEVATOR & RUDDER, FROM JOINT BETWEEN FORMERS 44.592A & 64.592A TO JOINT BETWEEN FORMERS 108.687A & 123.015A, GROUP	3	—	MR	EG1/208
7820	121R3577	EYE-END, C/W BEARING, GROUP Spares for:—	1	—	C	EG1/209
2A/9500465 17942	SKEFCO 1.132498 2SS5880	Bearing Plate, securing	1 1	— —	C C	
	124R3577	EYE-END, GROUP	1	—	MR	EG1/210
1664	103bR3577	Bush, 1/2" dia. x 5/16" long	1	—	C	
4157	144R3577	ROD, CONTROL, AILERON, ELEVATOR & RUDDER, FROM JOINT BETWEEN FORMERS 108.687A & 123.015A TO JOINT BETWEEN FORMERS 123.015A & 151.919A, GROUP	3	—	B	EG1/211
	125R3577	FORK-END, GROUP	2	—	MR	
1666	107R3577	Bush, 5/8" dia. x 3/16" long	2	—	C	
	149R3577	ROD, CONTROL, AILERON & ELEVATOR JOINT BETWEEN FORMERS 123.015A & 151.919A, TO JOINT BETWEEN FORMERS 201.387A & 225.227A, GROUP	2	—	MR	EG1/212
	124R3577	EYE-END, GROUP	2	—	MR	
1664	103bR3577	Bush, 1/2" dia. x 5/16" long	1	S96	C	

CONTROLS

FLYING, IN CENTRE PORTION FUSELAGE

Ref. No.	Part No.	Description	No. off	Matl. Spec.	Cl. of St.	Plate and Illust'n No.
					M.R.	
		1 2 3 4				
	142R3577	ROD, CONTROL, RUDDER, FROM JOINT BETWEEN FORMERS 123.015A AND 151.919A, TO JOINT BETWEEN FORMERS 201.367A AND 225.227A, GROUP	1	—	MR	EG1/213
7820	121R3577	EYE-END, C/W BEARING, GROUP Spares for:—	1	—	C	EG1/201
2A/9500465 17942	SKEFCO I.132498 2SS5880	Bearing Plate, securing	1 1	— —	C C	
	124R3577	EYE-END, GROUP Spares for:—	1	—	MR	EG1/210
1664	103bR3577	Bush, 1/2" dia. x 5/16" long	1	—	C	
4158	145R3577	ROD, CONTROL, AILERON AND ELEVATOR FROM JOINT BETWEEN FORMERS 201.367A AND 225.227A, TO JOINT BETWEEN 225.227A AND 243.127A, GROUP	2	—	B	EG1/214
	125R3577	FORK-END, GROUP Spares for:—	2	—	MR	
1666	107R3577	Bush, 5/8" dia. x 3/16" long	2	—	C	
	147R3577	ROD, CONTROL, RUDDER, FROM JOINT BETWEEN FORMERS 201.367A & 225.227A TO LEVER ON ARTIFICIAL FEEL UNIT, GROUP	1	—	MR	EG1/215
	122R3577	FORK-END, GROUP Spares for:—	2	—	MR	
1674	101R3577	Bush, 9/16" dia. x 1/4" long	2	S96	C	
	143R3577	ROD, CONTROL, AILERON AND ELEVATOR FROM JOINT BETWEEN FORMERS 225.227A AND 243.127A, TO JOINT BETWEEN FORMERS 279.092A AND 300.954A, GROUP	2	—	MR	EG1/216
7820	121R3577	EYE-END, C/W BEARING, GROUP Spares for:—	1	—	MR	EG1/201
2A/9500465 17942	SKEFCO I.132498 2SS5880	Bearing Plate, securing	1 1	— —	C C	
	124R3577	EYE-END, GROUP Spares for:—	1	—	MR	EG1/210
1664	103bR3577	Bush, 1/2" dia. x 5/16" long	1	S96	C	

VULCAN ML 2

CONTROLS

Page EG. 29

FLYING, IN CENTRE PORTION FUSELAGE

Ref. No.	Part No.	Description	No. off	Matl. Spec.	Cl. of St.	Plate and Illust'n No.
					M.R.	
		1 2 3 4				
7930	1R4437	ROD, CONTROL, ADJUSTABLE, RUDDER, FROM LEVER ARTIFICIAL FEEL UNIT TO JOINT BETWEEN FORMERS 279.092A AND 300.954A, GROUP	1	—	B	EG1/217
	122R3577	Spares for:— FORK-END, GROUP	1	—	MR	EG1/218
1674	101R3577	Spares for:— Bush, 9/16" dia. x 1/4" long	2	S96	C	EG1/219
	2R4435	Fork-end, adjustable	1	DTD364B	MR	
4099	77R3577	Locknut, R.H. thread	1	DTD364B	C	
4100	78R3577	Locknut, L.H. thread	1	DTD364B	C	
4101	79R3577	Screw, adjusting	1	T45 or S1	C	
	100R3577	Sleeve, screwed	1	DTD364B		
6638	1R4178	ROD, CONTROL, AILERON, BETWEEN FORMERS 279.092A & 300.954A, GROUP	1	—	B	EG1/220
	122R3577	Spares for:— FORK-END, GROUP	2	—	MR	
1674	101R3577	Spares for:— Bush, 9/16" dia. x 1/4" long	2	—	C	
	148R3577	ROD, CONTROL, ELEVATOR, FROM JOINT BETWEEN FORMERS 279.092A AND 300.954A, TO LEVER ARTIFICIAL FEEL UNIT, GROUP	1	—	MR	EG1/221
	122R3577	Spares for:— FORK-END, GROUP	2	—	MR	
1674	101R3577	Spares for:— Bush, 9/16" dia. x 1/4" long	2	—	C	
	1R4112	ROD, CONTROL, RUDDER, FROM JOINT BETWEEN FORMERS 279.092A AND 300.954A, TO JOINT BETWEEN FORMERS 370A AND 384.5A, PORT, GROUP	1	—	MR	EG1/222
	3R4112	Spares for:— EYE-END, C/W GEARING, GROUP	2	—	MR	
	SKEFCO	Spares for:— Bearing	1	—	C	
2A/9500465	I.132498	Plate, securing	1	—	C	
17942	2SS5880					

CONTROLS

FLYING, IN CENTRE PORTION FUSELAGE

Ref. No.	Part No.	Description	No. off	Matl. Spec.	Cl. of St.	Plate and Illust'n No.	
					M.R.		
		1	2	3	4		
6639	8R4188	ROD, CONTROL, ADJUSTABLE, AILERON, FROM JOINT BETWEEN FORMERS 279.092A AND 300.954A, TO LEVER AFT OF REAR SPAR, STBD., GROUP	1	—	B	EG1/223	
7899	3R4177	Spares for:— EYE-END, DOUBLE, GROUP	1	—	C	EG1/224	
	SKEFCO	Spares for:—					
2A/9500465	1.132498	Bearing	2	—	C		
17942	2SS5880	Plate, securing	2	—	C		
7473	4R4186	EYE-END, GROUP	1	—	C	EG1/225	
	SKEFCO	Spares for:—					
2A/9500465	1.132498	Bearing	1	—	C		
17942	2SS5880	Plate, securing	1	—	C		
4099	77R3577	Locknut, R.H. thread	1	DTD364B	C		
4100	78R3577	Locknut, L.H. thread	1	DTD364B	C		
	16R4186	Screw, adjusting	1	S1			
	100R3577	Sleeve, screwed	1	DTD364B			
6637	9R4188	ROD, CONTROL, ADJUSTABLE, ELEVATOR, FROM LEVER ARTIFICIAL FEEL UNIT, TO TORQUE SHAFT LEVER AFT REAR SPAR, PORT, GROUP	1	—	B	EG1/226	
	SKEFCO	Spares for:—					
7473	4R4186	EYE-END, GROUP	1	—	C		
	SKEFCO	Spares for:—					
2A/9500465	1.132498	Bearing	1	—	C		
17942	2SS5880	Plate, securing	1	—	C		
	122R3577	FORK-END, GROUP	1	—			
	SKEFCO	Spares for:—					
1674	101R3577	Bush, 9/16" dia. x 1/4" long	2	—	C		
4099	77R3577	Locknut, R.H. thread	1	DTD364B	C		
4100	78R3577	Locknut, L.H. thread	1	DTD364B	C		
	16R4186	Screw, adjusting	1	S1			
	100R3577	Sleeve, screwed	1	DTD364B			

VULCAN ML. 2

CONTROLS

Page EG. 31

FLYING, IN CENTRE PORTION FUSELAGE

Ref. No.	Part No.	Description	No. off	Matl. Spec.	Cl. of St.	Plate and Illust'n No.
					M.R.	
		1 2 3 4				
	1R4113	ROD, CONTROL, RUDDER, FROM JOINT BETWEEN FORMERS 370A AND 384.5A, TO LEVERS ON TORQUE TUBE, PORT, GROUP	1	—	MR	EG1/227
	3R4112	EYE-END, C/W BEARING, GROUP Spares for:—	1	—	MR	
2A/9500465 17942	SKEFCO I.132498 2SS5880	Bearing Plate, securing	1 1	— —	C C	
	122R3577	FORK-END, GROUP Spares for:—	1	—	MR	
1674	101R3577	Bush, 9/16" dia. x 1/4" long	1	S96	C	
6640	2R4188	ROD, CONTROL, AILERON AND ELEVATOR FROM LEVER INBOARD RIB 63.5, TO IDLER LEVER AFT REAR SPAR, STARBOARD, GROUP	1	—	B	EG3/228
7897	12R4186	EYE-END, GROUP Spares for:—	1	—	C	EG3/229
2A/9500465 17942	SKEFCO I.132498 2SS5880	Bearing Plate, securing	2 2	— —	C C	
7898	14R4186	EYE-END, GROUP Spares for:—	1	—	C	EG3/41
2A/9500465 17942	SKEFCO I.132498 2SS5880	Bearing Plate, securing	1 1	— —	C C	
6642	5R4188	ROD, CONTROL, ADJUSTABLE, AILERON & ELEVATOR, FROM LEVER AT MIXER UNIT, TO AILERON TORQUE SHAFT LEVER INBD. RIB 63.5, AFT REAR SPAR, STBD. GROUP	2	—	B	EG3/230
7473	4R4186	EYE-END, GROUP Spares for:—	1	—	C	EG3/225
2A/9500465 17942	SKEFCO I.132498 2SS5880	Bearing Plate, securing	1 1	— —	C C	

CONTROLS

FLYING, IN CENTRE PORTION FUSELAGE

Ref. No.	Part No.	Description	No. off	Matl. Spec.	Cl. of St.	Plate and Illust'n No.
					M.R.	
		1 2 3 4				
7898	14R4186	ROD, CONTROL, ADJUSTABLE, AILERON & ELEVATOR, FROM LEVER AT MIXER UNIT, TO AILERON TORQUE SHAFT LEVER, INBD. RIB 63.5, AFT REAR SPAR, STBD., GROUP (5R4188) (Cont'd) EYE-END, GROUP	1	—	C	EG3/41
		Spares for:—				
2A/9500465 17942 4099 4100	SKEFCO I.132498 2SS5880 77R3577 78R3577 16R4186 100R3577	Bearing	1	—	C	
		Plate, securing	1	—	C	
		Locknut, R.H. thread	1	DTD364B	C	
		Locknut, L.H. thread	1	DTD364B	C	
		Sleeve, adjusting	1	S1		
		Sleeve, screwed	1	DTD364B	MR	
	3R4458	ROD, CONTROL, FROM AILERON TORQUE SHAFT, TO AUTO-PILOT SERVO MOTOR, FIN POST AND AFT FACE OF REAR SPAR, GROUP Spares for:—	1	—		EG3/231
7898	14R4186	EYE-END, GROUP	1	—	C	EG3/41
		Spares for:—				
2A/9500465 17942	SKEFCO I.132498 2SS5880	Bearing	1	—	C	
		Plate, securing	1	—	C	
	4R4358	EYE-END, GROUP	1	—	MR	EG3/40
		Spares for:—				
2A/9500465 17942	SKEFCO I.132498 2SS5880 9R3666	Bearing	1	—	C	
		Plate, securing	1	—	C	
		Locknut (Make from A27/JT)	1	—	MR	
6643	6R4188	ROD, CONTROL, ADJUSTABLE, AILERON & ELEVATOR, FROM MIXER UNIT LEVER TO ELEVATOR TORQUE SHAFT, INBD. OF RIB 63.5, AFT FACE OF REAR SPAR, PORT, GROUP Spares for:—	1	—	B	EG3/232
7473	4R4186	EYE-END, GROUP	1	—	C	EG3/225
		Spares for:—				
2A/9500465 17942	SKEFCO I.132498 2SS5880	Bearing	1	—	C	
		Plate, securing	1	—	C	

VULCAN MR. 2

CONTROLS

Page EG. 33

FLYING, IN CENTRE PORTION FUSELAGE

Ref. No.	Part No.	Description	No. off	Matl. Spec.	Cl. of St.	Plate and Illust'n No.
					M.R.	
		1 2 3 4				
7898	14R4186	ROD, CONTROL, ADJUSTABLE, AILERON & ELEVATOR, FROM MIXER UNIT LEVER, TO ELEVATOR TORQUE SHAFT, INBD. OF RIB 63.5, AFT FACE OR REAR SPAR, PORT, GROUP (6R4188) (Cont'd) EYE-END, GROUP Spares for:—	1	—	C	EG3/41
2A/9500465 17942	SKEFCO I.132498	Bearing	1	—	C	
4099	2SS5880	Plate, securing	1	—	C	
4100	77R3577	Locknut, R.H. thread	1	DTD364B	MR/C	
	78R3577	Locknut, L.H. thread	1	DTD364B	MR/C	
	16R4186	Screw, adjusting	1	S1		
	100R3577	Sleeve, screwed	1	DTD364B		
6644	3R4188	ROD, CONTROL, AILERON AND ELEVATOR FROM LEVER INBD. RIB 63.5 TO IDLER LEVER INBD. RIB 112.38, AFT REAR SPAR, PORT, GROUP Spares for:—	1	—	B	EG3/233
7897	12R4186	EYE-END, GROUP Spares for:—	1	—	C	EG3/229
2A/9500465 17942	SKEFCO I.132498	Bearing	2	—	C	
	2SS5880	Plate, securing	2	—	C	
7898	14R4186	EYE-END, GROUP Spares for:—	1	—	C	EG3/41
2A/9500465 17942	SKEFCO I.132498	Bearing	1	—	C	
	2SS5880	Plate, securing	1	—	C	
6641	4R4188	ROD, CONTROL, AILERON AND ELEVATOR FROM LEVER AT RIB 112.38 TO TORQUE SHAFT, OUTBD. RIB 162.5 AFT REAR SPAR, GROUP Spares for:—	2	—	B	EG3/234
7898	14R4186	EYE-END, GROUP Spares for:—	1	—	C	
2A/9500465 17942	SKEFCO I.132498	Bearing	1	—	C	
	2SS5880	Plate, securing	1	—	C	
	11R4186	Fork-end	1	L65	MR	
	7SS4645	Bush, fork-end, 13/32" o/d x 5/16" i/d x .22" long	2	—	MR	

CONTROLS

FLYING, IN CENTRE PORTION FUSELAGE

Ref. No.	Part No.	Description	No. off	Matl. Spec.	Cl. of St.	Plate and Illust'n No.
					M.R.	
		1 2 3 4				
Attachments—Control Rods						
	87R3577	Bolt, special	10	HTS	MR	
28D/1213610	A59/10G	Bolt, 5/16" BSF	2	—	C	
28D/1213553	A60/8G	Bolt, 5/16" BSF	2	—	C	
28D/1213554	A60/9G	Bolt, 5/16" BSF	6	—	C	
28D/1213555	A60/10G	Bolt, 5/16" BSF	10	—	C	
28D/1213556	A60/11G	Bolt, 5/16" BSF	28	—	C	
28D/1213557	A60/12G	Bolt, 5/16" BSF	2	—	C	
28M/4095947	A58/ES	Nut, slotted, 1/4" BSF	10	—	C	
28M/4199604	A58/GS	Nut, slotted, 5/16" BSF	48	—	C	
28M/5808571	A27/GS	Nut, slotted, 5/16" BSF	2	—	C	
28P/9527619	SP90/C7	Pin, split, 1/16" dia.	60	—	C	
28W/9419403	SP13/G	Washer, 5/16"	43	—	C	
28W/9419455	SP10/G	Washer, 5/16"	7	—	C	

VULCAN Mk. 2

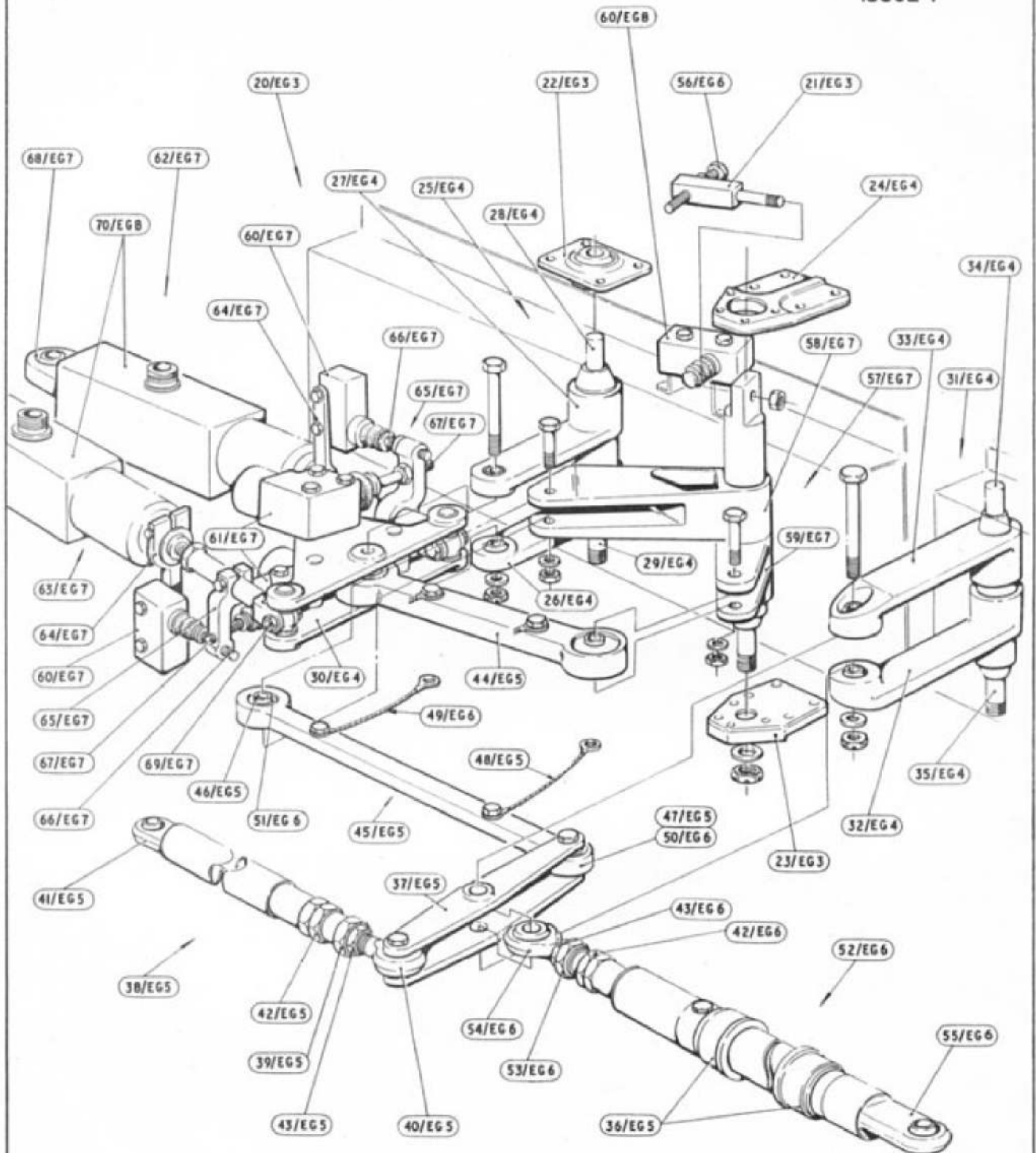
CONTROLS

Page EG. 35

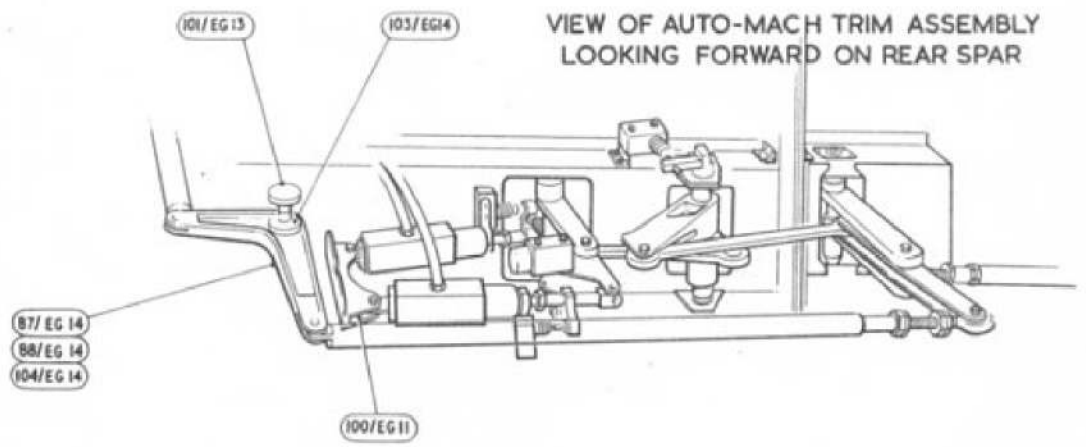
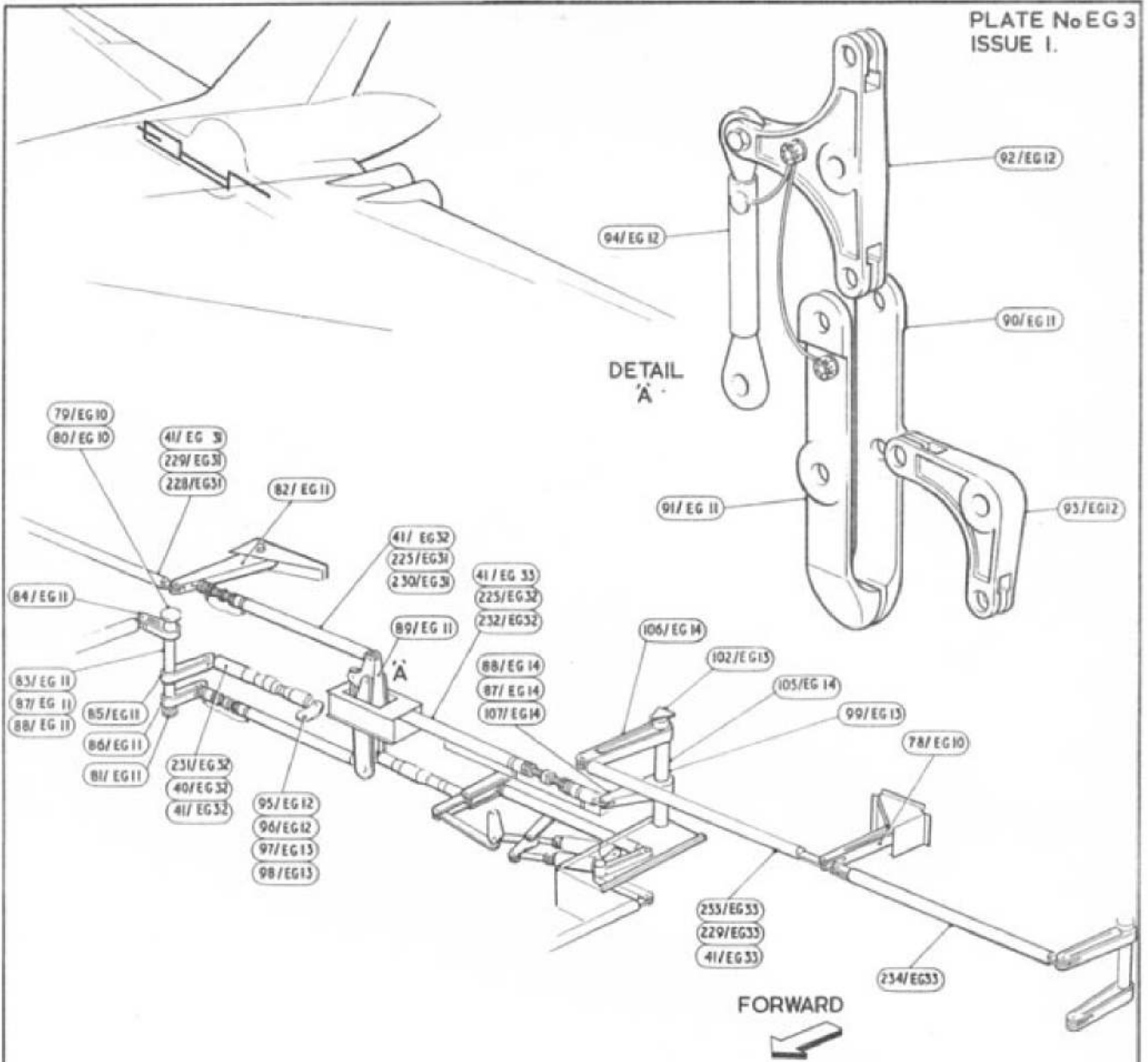
FLYING, IN CENTRE PORTION FUSELAGE

SUMMARY OF STANDARD ITEMS

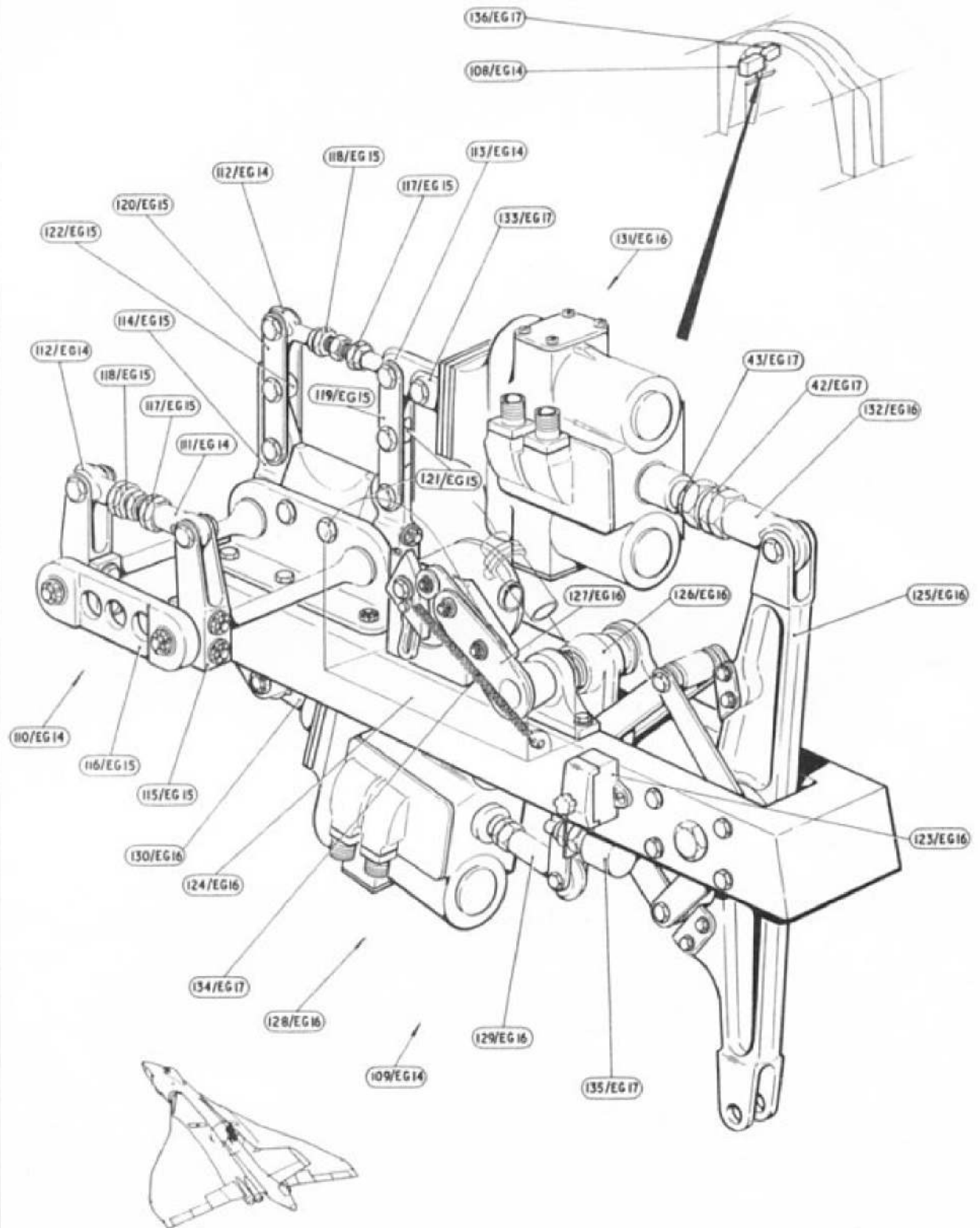
Stores Ref.		No. off	Stores Ref.		No. off	Stores Ref.		No. off
Section	Ref. No.		Section	Ref. No.		Section	Ref. No.	
28D	1007976	29	28F	11098	2	28W	9418920	8
28D	1008145	90				28W	9418921	71
28D	1010030	2				28W	9419401	7
28D	1010142	7	28M	10286	2	28W	9419402	84
28D	1011011	2	28M	13935	13	28W	9419403	58
28D	1011019	1	28M	14537	57	28W	9419454	7
28D	1011246	8	28M	1011467	29	28W	9419455	8
28D	1013172	15	28M	1011476	4	28W	9419466	5
28D	1200119	6	28M	1013107	38	28W	9419489	1
28D	1202771	12	28M	1278189	7			
28D	1204937	12	28M	1278190	91			
28D	1212231	2	28M	5808571	4			
28D	1213553	2	28M	5808573	24			
28D	1213554	6	28M	7002430	72			
28D	1213555	10	28M	9433473	6			
28D	1213556	29	28M	9480017	18			
28D	1213557	2						
28D	1213559	1						
28D	1213599	1	28P	9486478	7			
28D	1213600	1	28P	9527619	160			
28D	1213610	8						
28D	1213745	2						
28D	1213746	1	28R	13504	1			
28D	1213765	5	28R	13505	2			
28D	1213766	7						
28D	1214091	7						
28D	1215659	6	28S	1011484	2			
28D	1215666	1						
28D	1215682	5						
28D	1215683	3						
28D	1215685	1						
28D	1215687	1						
28D	9133011	39						
28D	9133012	8						
28D	9419397	6						
28D	9435058	2						
28D	9436920	23						
28D	9709461	27						



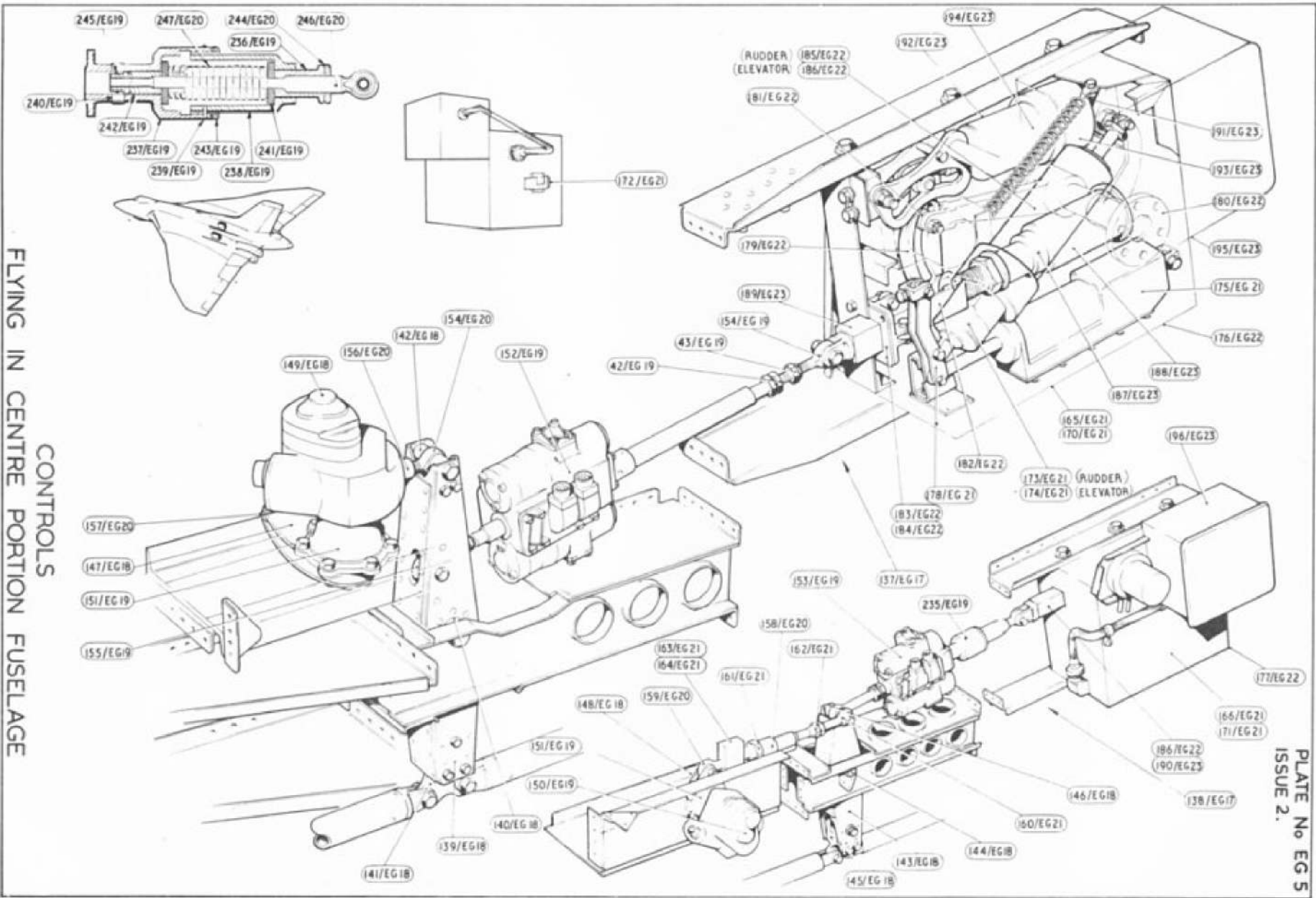
CONTROLS
FLYING IN CENTRE PORTION FUSELAGE



CONTROLS
FLYING IN CENTRE PORTION OF FUSELAGE



CONTROLS
FLYING IN CENTRE PORTION FUSELAGE
4



FLYING IN CENTRE PORTION FUSELAGE
 CONTROLS

RESTRICTED

RESTRICTED

PLATE No EG 5
 ISSUE 2.

This file was downloaded
from the RTFM Library.

Link: www.scottbouch.com/rtfm

Please see site for usage terms,
and more aircraft documents.

