

VULCAN Mk. 2

CONTROLS
STEERING, NOSEWHEEL

Page EN. 1

Ref. No.	Part No.	Description	No. off	Matl. Spec.	Cl. of St.	Plate and Illust'n No.
					M.R.	
		1 2 3 4				
		CONTROLS, NOSEWHEEL STEERING (1R3634)				
		Spares for:—				
2A/9500415	SKEFCO I.132630	Bearing, at housing	1	—	C	EN1/1
2A/9500411	R. & M. CK1/4"C 31R3634	Bearing, at mounting torque levers	1	—	C	EN1/2
		Bolt, special, mounting torque lever at former ... 189.5	1	S96		EN1/3
	19R3543	Bolt, for lever	1	DTD364B		EN1/4
	32R3634	BRACKET, MOUNTING DRUM SWITCH,	1	—	MR	EN1/5
		GROUP				
		Spares for:—				
4335	32cR3634	Bush	2	BSS369	C	
		Attachments—Bracket, Part No. 32R3634				
28D/1214003	AS2504/5C	Bolt, 2 BA	6	—	C	
28M/9403520	A27/CP	Nut, 2 BA	6	—	C	
28W/9419402	SP13/C	Washer, 2 BA	6	—	C	
	43R3634	BRACKET, MOUNTING, TORQUE LEVER,	1	—		EN1/6
		GROUP				
	42R3634	BRACKET, MOUNTING, TORQUE LEVER,	1	—		EN1/7
		BOTTOM, GROUP				
		Consisting of:—				
	42aR3634	Bracket	1	L72		
	18R3634	HOUSING, BEARING, GROUP	1	—		
		Spares for:—				
	28R3634	Bush	1	Oilite		
		Attachments—Bracket, Part No. 42 & 43R3634				
28D/9133011	A25/2C	Bolt, 2 BA	8	—	C	
28M/1012015	AGS2001/C1/66	Nut, stiff, 2 BA	8	—	C	
28W/9419402	SP13/C	Washer, 2 BA	8	—	C	
	24R3543	Bush, 3/4" o/d x 3/8" long.....	1	S96		EN1/8
4352	23R3543	Eye-bolt	1	S96	C	EN1/9
	25R3543	EYE-END, GROUP	1	—	MR	EN1/10
		Spares for:—				
	CT4	Bush, 1/2" o/d x 3/8" i/d x 1" long	1	Oilite	MR	
	17R3543	HOUSING, BEARING, GROUP	1	—		EN1/11
		Spares for:—				
2A/9500415	SKEFCO I.132630	Bearing	1	—	C	
17948	14SS5880	Plate, securing	1	—	C	
	18R3543	Housing, bearing	2	DTD364B	MR	EN1/12
		Attachment—Housing, Part No. 17 & 18R3543				
28D/9133011	A25/2C	Bolt, 2 BA	8	—	C	
28M/5808573	A27/CS	Nut, slotted, 2 BA	8	—	C	
28P/9486478	SP90/C5	Pin, split, 1/16" dia.	9	—	C	
28W/9419402	SP13/C	Washer, 2 BA.....	8	—	C	

CONTROLS
STEERING, NOSEWHEEL

Ref. No.	Part No.	Description	No. off	Matl. Spec.	Cl. of St.	Plate and Illust'n No.
					M.R.	
		1 2 3 4				
	33R3634	Lever, at drum switch	1	DTD130	MR	EN1/13
	38R3634	Lever, at drum switch (Alternative)	1	DTD683	MR	
	34R3634	Lever, at drum switch	1	DTD130	MR	EN1/14
	39R3634	Lever, at drum switch (Alternative)	1	DTD683		
	11R3634	LEVER, FOR CONNECTING RODS, GROUP	1	—		EN1/15
		Spares for:—				
	24R3634	HOUSING, BEARING, GROUP	1	—		
		Spares for:—				
2A/9500411	R. & M.	Bearing	1	—	C	
17944	CK1/4"C	Plate, securing	1	—	C	
	10SS5880	Lever	2	—		
	29R3592					
4348	21R3543	LEVER, GROUP	1	—	B	EN1/16
		Spares for:—				
4350	21bR3543	Bush, 5/8" o/d x 1/2" i/d x 1/4"	2	Oilite	C	
4349	22R3543	LEVER, GROUP	1	—	B	EN1/17
		Spares for:—				
4351	22bR3543	Bush, 469" o/d x .375" i/d x 1" long	1	Oilite	C	
		Attachments—Lever, Part No.				
		21 & 22R3543				
4353	26R3543	Bolt, special	2	S96	C	
28M/1011467	A27/ES	Nut, slotted, 1/4" BSF	2	—	C	
28P/9486478	SP90/C5	Pin, split, 1/16" dia.	2	—	C	
28W/9418921	SP13/E	Washer, 1/4"	2	—	C	
4340	2R3634	ROD, CONNECTING, TORQUE TUBE TO	1	—	B	EN1/18
		LEVER, GROUP				
		Spares for:—				
	44.O.3506	ROD, END, FIXED, GROUP	1	—	MR	
		Spares for:—				
28R/4665592	R. & M.	Bearing, rod end	1	—	C	
	CM3/16"B					
	25.O.3506	ROD, END, ADJUSTABLE, GROUP	1	—	MR	
		Spares for:—				
28R/4665592	R. & M.	Bearing, rod end	1	—	C	
	CM3/16"B					
4341	3R3634	ROD, CONNECTING, DRUM SWITCH	1	—	B	EN1/16
		LEVER TO TORQUE TUBE, GROUP				
		Spares for:—				
4342	25R3634	Fork-end	1	—		
	26R3634	Fork-end, adjustable	1	—	C	
4343	16R3634	ROD, CONNECTING, FROM TORQUE	1	—	B	EN1/20
		TUBE, LEVER, GROUP				
		Spares for:—				
	17R3634	Fork-end	2	—		

VULCAN Mk. 2

CONTROLS
STEERING, NOSEWHEEL

Page EN.3

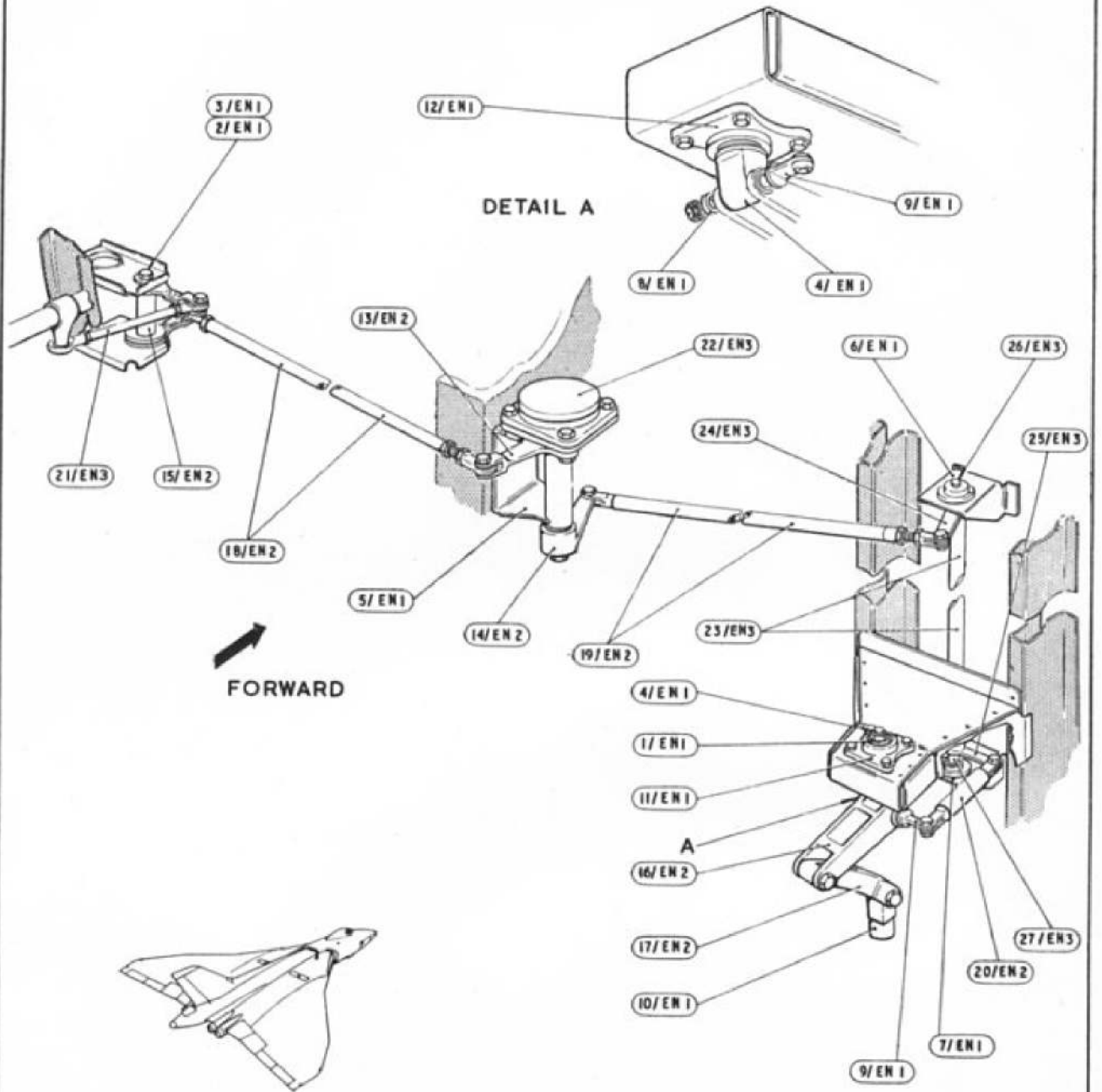
Ref. No.	Part No.	Description	No. off	Matl. Spec.	Cl. of St.	Plate and Illust'n No.
					M.R.	
		1 2 3 4				
	14R3592	ROD, CONNECTING, TORQUE LEVER TO RUDDER CONTROL ROD, GROUP	1	—	MR	EN1/21
	8.O.3427	Spares for:— ROD, END, GROUP	2	—		
	R & M	Spares for:—				
28R/4665592	CM3/16"B	Bearing, rod end	1	—	C	
		Attachments—Connecting rods, Part No. 2, 3 and 16R3634 and 14R3592				
28D/1214005	AS2504/7C	Bolt, 2 BA	3	—	C	
28N/1045680	AGS899/2	Collar	4	—	C	
28M/5808573	A27/C5	Nut, slotted, 2 BA	3	—	C	
28P/9486478	SP90/C5	Pin, split, 1/16" dia	3	—	C	
28P/9710567	SP90/C4	Pin, split, 1/16" dia	4	—	C	
28P/7132526	SP/4/Y/B7	Pin	4	—	C	
28W/9419402	SP13/C	Washer, 2 BA	3	—	C	
	DOWTY					
5CW/4400104	C1200Y Mk. 107	Switch, drum	1	—	A	EN1/22
		Attachments—Switch, Part No. C1220Y Mk. 107				
28D/9140644	A25/9C	Bolt, 2 BA	4	—	C	
28M/1012015	AGS2001/C1/66	Nut, stiff, 2 BA	4	—	C	
28W/9419402	SP13/C	Washer, 2 BA	4	—	C	
4345	15R3634	TUBE, TORQUE, WITH LEVER, GROUP Consisting of:—	1	—	B	EN1/23
	20R3634	Lever	1	DTD130		EN1/24
	21R3634	Lever	1	DTD130		EN1/25
4346	22R3634	Spigot	1	S1	C	EN1/26
4347	23R3634	Spigot	1	S1	C	EN1/27
	15aR3634	Tube, 3/4" o/d x 17G x 18.30" long	1	DTD464B		
		Attachments—Torque tube, Part No. 15R3634				
28M/5808573	A27/CS	Nut, slotted, 2BA	1	—	C	
28P/9527619	SP90/C7	Pin, split, 1/16" dia.	1	—	C	
28W/9419402	SP13/C	Washer, 2 BA	1	—	C	

VULCAN Mk. 2

CONTROLS
STEERING, NOSEWHEEL
SUMMARY OF STANDARD ITEMS

Page EN. 5

Stores Ref.		No. off	Stores Ref.		No. off	Stores Ref.		No. off
Section	Ref. No.		Section	Ref. No.		Section	Ref. No.	
28D	1214003	6	28N	1045680	4	28R	13504	4
28D	1214005	3						
28D	9133011	16						
28D	9140644	4	28P	833	4	28W	9418921	2
			28P	9486478	13	28W	9419402	30
			28P	9527619	1			
28M	1278190	12	28P	9710567	4			
28M	1011467	2						
28M	5808573	12						
28M	9403520	6						



CONTROLS
STEERING NOSEWHEEL

This file was downloaded
from the RTFM Library.

Link: www.scottbouch.com/rtfm

Please see site for usage terms,
and more aircraft documents.

