

VULCAN Mk. 2

ELECTRICAL INSTALLATION

Page FA. 1

BOMB BAY

Ref. No.	Part No.	Description	No. off	Matl. Spec.	Cl. of St.	Plate and Illust'n No.
					M.R.	
		1 2 3 4				
		ELECTRICAL INSTALLATION IN BOMB BAY (V8222) (V11319) Spares for:—				
5CZ/4335567	TEDDINGTON FLM/A/14	Amplifier, magnetic, bomb arch 243.127	1	—	A	FA1/1
1433320	14V8222	Angle, mounting (Mod. 2467)	1	—		
5X/4491769	1V7870	Block, terminal, bomb arch 108.637	1	—	C	FA1/2
5X/6200370	1V5650	Block, terminal	45	—	C	FA1/3
5X/9064	AS2786	Block, connector, heavy duty	5	—	C	FA1/4
	49V6352	Bracket, clip	9	L72		
	10V6354	Bracket, clip	4	L72		
	29V6354	Bracket, clip	1	L72		
12213	8V7723	BRACKET, MOUNTING, GROUP	1	—	C	FA1/5
	ROTAX					
5CZ/1053233	16936	Syn. rubber, cable nipple Elect.	8	—	C	FA3/6
	12V11319	Busbar (Mod. 1856)	1	—		FA1/7
	11V11319	BRACKET, MOUNTING TB. AND RESISTOR, GROUP (Mod. 1340) (Pre-Mod. 2352) Consisting of:—	1	—		FA1/8
	BELLING LEE					
5CZ/6285995	L744/NI	Block, terminal, 12-way	1	—	C	FA1/9
	26aV6354	Bracket	1	BSS972		FA1/10
28M/9418829	AGS2002/A1	Nut, stiff, 6 BA	3	—	C	
	BERCO					
5CZ/8369	LW/25	Resistor, 33 ohms (Pre-Mod. 2352)	2	—	C	FA1/11
28S/9992531	A33/A24	Screw, 6 BA	3	—	C	
28W/9419446	SP10/A	Washer, 6 BA	3	—	C	
	SANGAMO					
	WESTON					
	FD751	Cable, temperature bulb, 6' 0"	9	—		
	SANGAMO					
	WESTON					
6A/1047909	FD119/20	Cable, head comp., Type C, 7 metres	1	—	C	
	241V7909	CABLE (F241), 2J TO 26P, GROUP	1	—		
	354V7909	CABLE (F354), TB.89 TO CB. No. 1, GROUP	1	—		
	975V7909	CABLE (F536), GROUP (Mod. 2047)	1	—		
	7376V7909	CABLE (F424), 2J TO TB.811, GROUP	1	—		
	427V7909	CABLE (F427), TB.818 TO TB.819, GROUP	1	—		
	428V7909	CABLE (F428), TB.815 to TB.816, GROUP	1	—		
	430V7909	CABLE (F430), TB.811 TO TB.812, GROUP	1	—		
	431V7909	CABLE (F431), TB.814 TO TB.815, GROUP	1	—		
	432V7909	CABLE (F432), TB.817 TO TB.818, GROUP	1	—		

ELECTRICAL INSTALLATION

BOMB BAY

Ref. No.	Part No.	Description	No. off	Matl. Spec.	Cl. of St.	Plate and Illust'n No.
					M.R.	
		1 2 3 4				
	433V7909	CABLE (F433), TB.814 TO RB.817, GROUP	1	—		
	434V7909	CABLE (F434), TB.811 TO TB.814, GROUP	1	—		
	435V7909	CABLE (F435), 21P TO 38P, GROUP	1	—		
	436V7909	CABLE (F436), 21P TO 39P, GROUP	1	—		
	454V7909	CABLE (F454), 21P TO EARTH, GROUP	1	—		
	512V7909	CABLE (F512), ACTUATOR TO TB.723,	1	—		
		GROUP				
	7272V7909	CABLE (F513), ACTUATOR TO TB.s 722	1	—		
		AND 892, GROUP				
	7273V7909	CABLE (F515), ACTUATOR TO TB.s 722	1	—		
		AND 893, GROUP				
	7072V7909	CABLE (F519), RELAY 254 TO TB.557,	1	—		
		GROUP				
	9756V7909	CABLE (F536), GROUP (Mod. 2047)	1	—		
	537V7909	CABLE (F537), 43P TO HOT AIR ACTUATOR	1	—		
		AND No. 1 MICRO SWITCH, GROUP				
	9755V7909	CABLE (F538), GROUP (Mod. 2047)	1	—		
	7324V7909	CABLE (F540), 43P TO AMPLIFIER AND	1	—		
		EARTH, GROUP				
	542V7909	CABLE (F542), AFT SENSING ELEMENTS	1	—		
		TO TB.852, GROUP				
	543V7909	CABLE (F543), AFT SENSING ELEMENTS	1	—		
		TO TB.852, GROUP				
	544V7909	CABLE (F544), FORWARD SENSING	1	—		
		ELEMENTS TO TB.851, GROUP				
	545V7909	CABLE (F545), FORWARD SENSING	1	—		
		ELEMENTS TO TB.851, GROUP				
	546V7909	CABLE (F546), 23P TO 2J, GROUP	1	—		
	547V7909	CABLE (F547), 23P TO FIN OVER HEAT	1	—		
		SWITCH AND ICE DETECTOR, GROUP				

VULCAN Mk. 2

ELECTRICAL INSTALLATION

Page FA. 3

BOMB BAY

Ref. No.	Part No.	Description	No. off	Matl. Spec.	Cl. of St.	Plate and Illust'n No.
					M.R.	
		1 2 3 4				
	548V7909	CABLE, (F548) 23P TO TB. 773, GROUP	1	—		
	550V7909	CABLE, (F550) 23P TO AMPLIFIER AND EARTH, GROUP	1	—		
	602V7909	CABLE, (F602) 2J TO 28P, GROUP ...	1	—		
	7259V7909	CABLE, (F551) 23P TO HOT AIR ACTUATOR AND TB, 1523, GROUP	1	—		
	7217V7909	CABLE, (F552) 1J TO 26P, GROUP ...	1	—		
	7304V7909	CABLE (F553) 34P TO 15P, 19P, 21P AND 2J GROUP	1	—		
	683V7909	CABLE, (F683) RELAY 419 TO 39P, GRP.	1	—		
	7234V7909	CABLE, (F735) 27P TO 28P, GROUP ...	1	—		
	767V7909	CABLE, (F767) CROSS FEED FUELCOCK ACTUATOR TO 1J, GROUP	1	—		
	859V7909	CABLE, (F859) 56P TO EARTH, GROUP	1	—		
	941V7909	CABLE, (F941) TB. 747 TO EARTH, GRP.	1	—		
	1186V7909	CABLE, (F1186) 21P TO 39P, GROUP ...	1	—		
	1201V909	CABLE, (F1201) 2J TO 65P, GROUP ...	1	—		
	1202V7909	CABLE, (F1202) 65P TO FORWARD BOMB BAY MICRO. SWITCH, GROUP	1	—		
	1203V7909	CABLE, (F1203) 65P TO AFT BOMB BAY MICRO SWITCH, GROUP	1	—		
	1204V7909	CABLE, (F1204) FORWARD TO AFT MICRO SWITCH, GROUP	1	—		
	1205V7909	CABLE, (F1205) PORT TO STARBOARD AFT, MICRO SWITCHES, GROUP	1	—		
	1206V7909	CABLE, (F1206) PORT TO STARBOARD FORWARD MICRO SWITCHES, GROUP	1	—		
	2654V7909	CABLE, (F2654) PORT TO STARBOARD FORWARD MICRO SWITCHES, GROUP (Mod. 660)	1	—		
	1254V7909	CABLE, (F1254) TB. 620 TO STARBOARD AFT MICRO SWITCH, GROUP	1	—		

VULCAN Mk. 2

Page FA. 4

ELECTRICAL INSTALLATION

BOMB BAY

Ref. No.	Part No.	Description	No. off	Matl. Spec.	Cl. of St.	Plate and Illust'n No.
					M.R.	
		1 2 3 4				
	1255V7909	CABLE, (F1255) TB. 620 TO PORT AFT MICRP SWITCH, GROUP	1	—		
	1256V7909	CABLE, (F1256) TB. 620 TO STARBOARD FORWARD MICRO SWITCH, GROUP	1	—		
	1257V7909	CABLE, (F1257) TB. 620 TO PORT FORWARD MICRO SWITCH, GROUP	1	—		
	1258V7909	CABLE, (F1258) PORT FORWARD MICRO SWITCH, TO PORT AFT MICRO SWITCH, GROUP	1	—		
	1259V7909	CABLE, (F1259) STARBOARD FORWARD MICRO SWITCH TO PORT FORWARD MICRO SWITCH, GROUP	1	—		
	1260V7909	CABLE, (F1260) STARBOARD AFT MICRO SWITCH TO PORT AFT MICRO SWITCH, GROUP	1	—		
	1305V7909	CABLE, (F1305) RELAY 419 TO 2J, GRP.	1	—		
	7279V7909	CABLE, (F1315) RELAY 419 TO TB. 621, GROUP	1	—		
	1319V7909	CABLE, (F1319) TB. 89 TO 26P, GROUP	1	—		
	1320V7909	CABLE, (F1320) TB. 90 TO 26P, GROUP	1	—		
	1323V7909	CABLE, (F1323) 1J TO 26P, GROUP ...	1	—		
	1400V7909	CABLE, (F1400) RELAY 254 TO TB. 49, GROUP	1	—		
	7074V7909	CABLE, (F1402) ACCUMULATOR TO RELAY 256 AND TB. 49, GROUP	1	—		
	1403V7909	CABLE, (F1403) ACCUMULATOR TO RELAY, 257 GROUP	1	—		
	1404V7909	CABLE, (F1404) ACCUMULATOR TO RELAY 257, GROUP	1	—		
	1407V7909	CABLE, (F1407) TB. 605 AND TB. 612, GRP.	1	—		
	1408V7909	CABLE, (F1408) TB. 605 AND TB. 612, GRP.	1	—		
	1410V7909	CABLE, (F1410) RESISTOR TO TB. 849, GROUP	1	—		
	1411V7909	CABLE, (F1411) RELAY 254 TO RESISTOR, GROUP	1	—		

VULCAN Mk. 2

ELECTRICAL INSTALLATION

BOMB BAY

Ref. No.	Part No.	Description	No. off	Matl. Spec.	Cl. of St.	Plate and Illust'n No.
					M.R.	
		1 2 3 4				
	1412V7909	CABLE, (F1412) RELAY 251 TO RELAY 257 ... GROUP	1	—		
	1421V7909	CABLE, (F1421) TB. 849 TO EARTH, GRP.	1	—		
	1534V7909	CABLE, (F1534) TB. 721 TO EARTH, GRP.	1	—		
	1541V7909	CABLE, (F1541) TB. 633 TO TB. 893, GRP.	1	—		
	1629V7909	CABLE, (F1629) 61P TO RELAY, GROUP	1	—		
	1630V7909	CABLE, (F1630) 59P TO RELAY, GROUP	1	—		
	1631V7909	CABLE, (F1631) 2J TO TB. 166 AND SWITCH, GROUP	1	—		
	1641V7909	CABLE, (F1641) RESISTOR TO SWITCH, GROUP	1	—		
	1642V7909	CABLE, (F1642) TB. 166 TO SWITCH, GROUP	1	—		
	1643V7909	CABLE, (F1643) TB. 166 TO RELAY, GROUP	1	—		
	1645V7909	CABLE, (F1645) TB. 166 TO SWITCH, GROUP	1	—		
	1646V7909	CABLE, (F1646) TB. 166 TO SWITCH, GROUP	1	—		
	1648V7909	CABLE, (F1648) TB. 166 TO SWITCH, GROUP	1	—		
	7401V7909	CABLE, (F425) TB. 813 TO TB. 816, GROUP ...	1	—		
	426V7909	CABLE, (F426) TB. 816 TO TB. 819, GROUP ...	1	—		
	1488V7909	CABLE, (F1488) 28P TO EARTH, GROUP	1	—		
	1489V7909	CABLE, (F1489) 28P TO EARTH, GROUP	1	—		
	1542V7909	CABLE, (F1542) 28P TO EARTH, GROUP	1	—		
	1543V7909	CABLE, (F1543) 28P TO EARTH, GROUP	1	—		
	1442V7909	CABLE, (F1442) 2J TO 28P, GROUP	1	—		
	1495V7909	CABLE, (F1495) 27P TO EARTH, GROUP	1	—		
	1496V7909	CABLE, (F1496) 27P TO EARTH, GROUP	1	—		
	1497V7909	CABLE, (F1497) 27P TO EARTH, GROUP	1	—		
	1486V7909	CABLE, (F1486; TB. 653 TO EARTH, GROUP ..	1	—		
	1487V7909	CABLE, (F1497) 27P TO EARTH, GROUP	1	—		
	7369V7909	CABLE, (F1432) FIREWALL BREAK 571 TO 18J, 2J AND VOLTAGE REGULATOR 14J TO 18J, GROUP	1	—		
	7375V7909	CABLE, (F1350) ENGINE BREAK, 572 TO 21J, 17J TO 21J, GROUP	1	—		
	1676V7909	CABLE, (F1676) TB. 457 TO EARTH, GROUP ..	1	—		
	1677V7909	CABLE, (F1677) TB. 726 TO EARTH, GROUP ..	1	—		
	2285V7907	CABLE, (F2285) TB. 586 TO RELAY 491, GROUP	1	—		
	2286V7909	CABLE, (F2286) 2J TO RELAY 492, GROUP ...	1	—		
	1500V7909	CABLE, (F1500) TB. 656 TO 460, GROUP (Pre Mod. 1744)	1	—		
	1501V7909	CABLE, (F1501) TB. 462 TO TB. 666, GROUP (Pre Mod. 1744)	1	—		
	1503V7909	CABLE, (F1503) TB. 2036 TO TB. 459, GROUP (Pre Mod. 1744)	1	—		

ELECTRICAL INSTALLATION

BOMB BAY

Ref. No.	Part No.	Description	No. off	Matl. Spec.	Cl. of St.	Plate and Illust'n No.
					M.R.	
		1 2 3 4				
	1504V7909	CABLE, (F1504) TB. 2036 TO TB. 464, GROUP (Pre Mod. 1744)	1	—		
	1507V7909	CABLE, (F1507) TB. 2138 TO TB. 464, GROUP (Pre Mod. 1744)	1	—		
	1508V7909	CABLE, (F1508) TB. 2138 TO TB. 463, GROUP (Pre Mod. 1744)	1	—		
	7370V7909	CABLE, (F1333) 19J TO ENGINE BREAK 572 AND 15J, GROUP	1	—		
	2076V7909	CABLE, (F2076) FATIGUE METER TO TB. 520, GROUP (Pre Mod. 2388)	1	—		
	2075V7909	CABLE, (F2075) AS SWITCH TO TB. 520 GROUP	1	—		
	980V7909	CABLE, (F980) TB. 1176 TO RESISTOR, GROUP	1	—		
	981V7909	CABLE, (F981) FIREWALL BULKHEAD PLUG 739 TO RESISTOR, GROUP	1	—		
	982V7909	CABLE, (F982) FIREWALL BULKHEAD PLUG 740 TO RESISTOR, GROUP	1	—		
	983V7909	CABLE, (F983) RESISTOR TO TB. 1180 GROUP	1	—		
	2077V7909	CABLE, (F0277) TB. 520 TO EARTH, GRP.	1	—		
	1948V7909	CABLE, (F1948) TB. 723 TO EARTH, GRP.	1	—		
	2124V7909	CABLE, (F2124) TB. 465 TO TB. 463, GROUP .. (Pre Mod. 1744)	1	—		
	2125V7909	CABLE, (F2125) TB. 459 TO TB. 464, GROUP .. (Pre Mod. 1744)	1	—		
	2126V7907	CABLE, (F2126) AT TB. 465, GROUP (Pre Mod. 1744)	1	—		
	2127V7909	CABLE, (F2127) AT TB. 464, GROUP (Pre Mod. 1744)	1	—		
	7142V7909	CABLE, (F2080) 27P TO T.R.U., GROUP P4, GROUP	1	—		
	1970V7909	CABLE, (F1970) DISTRIBUTION BOX (PY12) TO RELAY SUPPRESSOR UNIT	1	—		
	1971V7909	CABLE, (F1971) DISTRIBUTION BOX (PY13) TO RELAY SUPPRESSOR UNIT	1	—		
	1972V7909	CABLE, (F1972) DISTRIBUTION BOX (PY14) TO RELAY SUPPRESSOR UNIT	1	—		
	7220V7909	CABLE, (F1973) RELAY SUPPRESSOR P.1 TO SERVO P.1, GROUP	1	—		
	7221V7909	CABLE, (F1974) RELAY SUPPRESSOR P2 TO SERVO P2, GROUP	1	—		
	1985V7909	CABLE, (F1985) 10J TO 28P, GROUP P4, GROUP	1	—		

VULCAN Mk. 2

ELECTRICAL INSTALLATION

Page FA. 7

BOMB BAY

Ref. No.	Part No.	Description	No. off	Matl. Spec.	Cl. of St.	Plate and Illust'n
					M.R.	No.
		1 2 3 4				
	1975V7909	CABLE (F1975), RELAY SUPPRESSOR P3 TO SERVO P3, GROUP	1	—		
	1976V7909	CABLE (F1976), RELAY SUPPRESSOR P4 . . . TO SERVO P4, GROUP	1	—		
	1899V7909	CABLE (F1899), DATUM UNIT TO M.T. DISTRIBUTION BOX (M.I.), GROUP	1	—		
	1967V7909	CABLE (F1967), DISTRIBUTION BOX TO RELAY, SUPPRESSOR, GROUP	1	—		
	1968V7909	CABLE (1968), DISTRIBUTION BOX TO RELAY SUPPRESSOR, GROUP	1	—		
	1969V7909	CABLE (F1969), DISTRIBUTION BOX (PY11) TO RELAY SUPPRESSOR UNIT, GROUP	1	—		
	1986V7909	CABLE (F1986), 10J TO 27P, GROUP	1	—		
	1988V7909	CABLE (F1988), 10J TO DISTRIBUTION BOXES, GROUP	1	—		
	7191V7909	CABLE (F1989), 10J TO DISTRIBUTION BOXES, GROUP	1	—		
	2123Y7909	CABLE (2189), H.D. CONNECTORS TO POWER COMPARTMENT, GROUP	1	—		
	2189V7909	CABLE (F2189), M.T. DISTRIBUTION (M12) TO RELAY SUPPRESSOR, GROUP	1	—		
	2190V7909	CABLE (F2190), M.T. DISTRIBUTION (M12) TO RELAY SUPPRESSOR, GROUP	1	—		
	2191V7909	CABLE (F2191), M.T. DISTRIBUTION BOX (M12) TO RELAY SUPPRESSOR, GROUP	1	—		
	2063V7909	CABLE (F2063), 20P H.D. CONNECTOR TO TB's 430 AND 431, GROUP	1	—		
	2066V7909	CABLE (F2066), 27P TO 74P, GROUP	1	—		
	2477V7909	CABLE (F2477), POWER PACK TO TB's 460 . . AND 461 (Pre Mod. 1744)	1	—		
	2478V7909	CABLE (F2478), POWER PACK TO TB.462 . . . GROUP (Pre Mod. 1744)	1	—		
	2481V7909	CABLE (F2481), POWER PACK TO TB.462, . . . GROUP (Pre Mod. 1744)	1	—		
	2490V7909	CABLE (F2490), TEST SOCKET TO No. 2 TANK, PORT, GROUP	1	—		

VULCAN Mk. 2

Page FA. 8

ELECTRICAL INSTALLATION

BOMB BAY

Ref. No.	Part No.	Description	No. off	Matl. Spec.	Cl. of St.	Plate and Illust'n No.
					M.R.	
		1 2 3 4				
	7083V7909	CABLE (F2101), TB's 460, 461 AND 462, GROUP (Pre Mod. 1744)	1	-		
	7084V7909	CABLE (F2103), POWER PACK TO TB.460, GROUP (Pre Mod. 1744)	1	-		
	7085V7909	CABLE (F2105), 76P TO TB.462, GROUP	1	-		
	2104V7909	CABLE (F2104), CONTROL BOX TO TB.460, GROUP (Pre Mod. 608)	1	-		
	7086V7909	CABLE (F2104), 76P TO TB.460, GROUP (Pre Mod. 1744)	1	-		
	7088V7909	CABLE (F2102), CONTROL BOX TO POWER PACK, GROUP (Pre Mod. 1744)	1	-		
	2487V7909	CABLE (F2487), TEST SOCKET TO No. 2 TANK, STARBOARD, GROUP	1	-		
	2647V7909	CABLE (F2647), AIR BRAKE ACTUATOR "A" TO T.R.U., GROUP (Mod. 645)	1	-		
	7648V7909	CABLE (F2648), T.R.U. TO LOWER CONDENSER, GROUP (Mod. 645)	1	-		
	2649V7909	CABLE (F2649), UPPER CONDENSER TO RELAY 244, GROUP (Mod. 645)	1	-		
	2651V7909	CABLE (F2651), T.R.U. LOWER CONDENSER, GROUP (Mod. 645)	1	-		
17264	2652V7909	CABLE (F2652), UPPER CONDENSER TO RELAY, GROUP (Mod. 645)	1	-	B	
	7932V7909	CABLE (F1441), 14J TO No. 1 CONDENSER, GROUP (Mod. 772)	1	-		
	7935V7909	CABLE (F1388), 16J TO No. 3 CONDENSER, GROUP (Mod. 772)	1	-		
	3828V7909	CABLE (F3828), GROUP	1	-		
	3829V7909	CABLE (F3829), GROUP	1	-		
	3832V7909	CABLE (F3832), GROUP	1	-		
	3833V7909	CABLE (F3833), GROUP	1	-		
	3834V7909	CABLE (F3834), GROUP	1	-		
	3835V7909	CABLE (F3835), GROUP	1	-		
	3838V7909	CABLE (F3838), GROUP	1	-		
	3851V7909	CABLE (F3851), GROUP	1	-		
20129	3852V7909	CABLE (F3853), GROUP	1	-	C	
20130	3853V7909	CABLE (F3853), GROUP	1	-	C	

VULCAN Mk. 2

ELECTRICAL INSTALLATION

Page FA. 9

BOMB BAY

Ref. No.	Part No.	Description	No. off	Matl. Spec.	Cl. of St.	Plate and Illust'n No.
					M.R.	
		1 2 3 4				
	7936V7909	CABLE, (F1389) 16J TO No. 3 CONDENSER, . GROUP (Mod. 772)	1	-		
	7937V7909	CABLE, (F1360) 17J TO No. 4 CONDENSER, . GROUP (Mod. 772)	1	-		
	7938V7909	CABLE, (F1361) 17J TO No. 4 CONDENSER, . GROUP (Mod. 772)	1	-		
	7947V7909	CABLE, (F1452) 14J TO No. 1 CONDENSER, . GROUP	1	-		
	7130V7909	CABLE, (F1644) TB.603 TO RELAY 244, GROUP (Mod. 636)	1	-		
	7131V7909	CABLE, (F1655) STARBOARD MICRO SWITCH TO TB.603, GROUP (Mod. 636)	1	-		
	2513V7909	CABLE, (F2513) RELAY 244 TO TB.603, GROUP (Mod. 636)	1	-		
	2514V7909	CABLE, (F2514) RELAY 243 TO TB.604, GROUP (Mod. 636)	1	-		
	2515V7909	CABLE, (F2515) TB.603 TO EARTH, GROUP . (Mod. 636)	1	-		
	2516V7909	CABLE, (F2516) TB.604 TO EARTH, GROUP . (Mod. 636)	1	-		
	2517V7909	CABLE, (F2517) TB.604 TO EARTH, GROUP (Mod. 636)	1	-		
	2518V7909	CABLE, (F2518) TB.603 TO EARTH, GROUP . (Mod. 636)	1	-		
	7660V7909	CABLE, (F2519) TIME DELAY TO TB.603 AND RELAY 244, GROUP	1	-		
	7661V7909	CABLE, (F2520) TIME DELAY TO T.R.604 ... AND RELAY 243, GROUP (Mod. 636)	1	-		
	2523V7909	CABLE, (F2523) TB.166 TO TB.603, GROUP .. (Mod. 636)	1	-		
	3900V7909	CABLE, (F3900), GROUP (Mod. 2009)	1	-		
	7531V7909	CABLE, (F544), GROUP	1	-		
	9681V7909	CABLE, (2/F3809), 56P TO FATIGUE METER (Mod. 2223)	1	-		

ELECTRICAL INSTALLATION

BOMB BAY

Ref. No.	Part No.	Description	No. off	Matl. Spec.	Cl. of	Plate and Illust'n No.
					St. M.R.	
		1 2 3 4				
	2524V7909	CABLE, (F2524) TB.604 TO RELAY 243, GROUP (Mod. 636)	1	—		
	2641V7909	CABLE, (F2641) TB.592 TO SWITCH No. 2, . . . GROUP	1	—		
	2642V7909	CABLE, (F2642) TB.592 TO SWITCH No. 3, . . . GROUP	1	—		
	352V7909	CABLE, (F352) THROTTLE BOX TO 3P, GROUP	1	—		
	521V7909	CABLE, (F521) 1J TO 27P, GROUP	1	—		
	522V7909	CABLE, (F522), GROUP (Pre-Mod. 2253)	1	—		
	9888V7909	CABLE, (F522) 1J TO 26P, GROUP (Mod. 2253)	1	—		
	685V7909	CABLE, (F685) RELAY 415 TO 38P, GROUP . .	1	—		
	4116V7909	CABLE, (F4116) 28P TO DOPPLER BAY RELAY 339, GROUP (Mod. 2256)	1	—		
	739V7909	CABLE, (F739) 1J TO RELAY 339, GROUP . . .	1	—		
	900V7909	CABLE, (F900) RELAY 416 TO EARTH, GROUP	1	—		
	942V7909	CABLE, (F942) 21P TO 38P, GROUP	1	—		
	1115V7909	CABLE, (F1115) 21P TO TB's.543 AND 607, . . GROUP	1	—		
	3007V7909	CABLE, (F3307) 1J TO 74P, GROUP (Mod. 770)	1	—		
	1125V7909	CABLE, (F1125) 2J TO EARTH, GROUP	1	—		
	7232V7909	CABLE, (F1159) 2J TO 18J, GROUP	1	—		
	1174V7909	CABLE, (F1174) 27P TO 58P, GROUP	1	—		
	1175V7909	CABLE, (F1175) 27P TO 58P, GROUP	1	—		
1510072	1176V7909	CABLE, (F1176) 27P TO 58P, GROUP	1	—		
	1177V7909	CABLE, (F1177) 27P TO 59P, GROUP	1	—		
	1178V7909	CABLE, (F1178) 27P TO 59P, GROUP	1	—		
	1179V7909	CABLE, (F1179) 27P TO 59P, GROUP	1	—		
	1180V7909	CABLE, (F1180) 28P TO 60P, GROUP	1	—		

VULCAN Mk. 2

ELECTRICAL INSTALLATION
BOMB BAY

Page FA. 11

Ref. No.	Part No.	Description				No. off	Matl. Spec.	Cl. of St.	Plate and Illust'n No.
		1	2	3	4			M.R.	
1433227	1181V7909	CABLE (F1181), 28P TO 60P, GROUP				1	—	C	
	1182V7909	CABLE (F1182), 28P TO 60P, GROUP				1	—		
	1183P7909	CABLE (F1183), 28P TO 61P, GROUP				1	—		
	1184V7909	CABLE (F1184), 28P TO 61P, GROUP				1	—		
	1185V7909	CABLE (F1185), 28P TO 61P, GROUP				1	—		
	7258V7909	CABLE (F1295), 2J TO 26P, GROUP				1	—		
	1302V7909	CABLE (F1302), 1J TO TB.621, GROUP				1	—		
	1324V7909	CABLE (F1324), 1J TO 26P, GROUP				1	—		
	1336V7909	CABLE (F1336), TB's 621, 622 AND 623 TO .. 21J, GROUP				1	—		
	1367V7909	CABLE (F1367), TB's 623, 624 AND 625 TO .. 20J, GROUP				1	—		
	7372V7909	CABLE (F1381), FIREWALL BREAK 574 TO .. 20J, TB.623, VOLTAGE REGULATOR, 16J AND 20J, GROUP				1	—		
	1406V7909	CABLE (F1406), 21P TO MICRO SWITCH, GROUP				1	—		
	1416V7909	CABLE (F1416), TB.849 TO RELAY 257,				1	—		
	1445V7909	CABLE (F1445), TB's 630, 632, AND 633 TO .. 19J, GROUP				1	—		
	1450V7909	CABLE (F1450), 26P TO 2J, GROUP				1	—		
	7128V7909	CABLE (F1491), 2J TO 26P, GROUP				1	—		
	1498V7909	CABLE (F1498), 27P TO TB.460, GROUP				1	—		
		(Pre-Mod. 1744)							
	1499V7909	CABLE (F1499), 28P TO TB.462, GROUP				1	—		
	(Pre-Mod. 1744)								
1515V7909	CABLE (F1515), TB.459 TO TB.159, GROUP ..				1	—			
	(Pre-Mod. 1744)								
1516V7909	CABLE (F1516), TB.459 TO TB.160, GROUP ..				1	—			
	(Pre-Mod. 1744)								
1517V7909	CABLE (F1517), TB.459 TO TB.160, GROUP ..				1	—			
	(Pre-Mod. 1744)								
1518V7909	CABLE (F1518), TB.463 TO TB.161, GROUP ..				1	—			
	(Pre-Mod. 1744)								

VULCAN Mk. 2

Page FA. 12

ELECTRICAL INSTALLATION

BOMB BAY

Ref. No.	Part No.	Description	No. off	Matl. Spec.	Cl. of St.	Plate and Illust'n No.
					M.R.	
		1 2 3 4				
	1519V7909	CABLE (F1519), TB.463 TO TB.161, GROUP .. (Pre-Mod. 1744)	1	-		
	1520V7909	CABLE (F1520), TB.463 TO TB.162, GROUP .. (Pre-Mod. 1744)	1	-		
	1521V7909	CABLE (F1521), TB.463 TO TB.162, GROUP .. (Pre-Mod. 1744)	1	-		
	1522V7909	CABLE (F1522), TB.459 TO TB.159, GROUP .. (Pre-Mod. 1744)	1	-		
	1523V7909	CABLE (F1523), TB.461 TO TB.462, GROUP ..	1	-		
	1524V7909	CABLE (F1524), TB.460 TO TB.461, GROUP ..	1	-		
	1544V7909	CABLE (F1544), 28P TO EARTH, GROUP	1	-		
	1582V7909	CABLE (F1582), TB.630 TO RELAY 257, GROUP	1	-		
	1633V7909	CABLE (F1633), 2J TO RELAY 240 AND RESISTOR, GROUP	1	-		
	1637V7909	CABLE (F1637), RELAY 240 TO PORT SWITCH, GROUP	1	-		
	1638V7909	CABLE (F1638), RELAY 240 TO PORT SWITCH, GROUP	1	-		
	1640V7909	CABLE (F1640), RESISTOR TO PORT SWITCH, GROUP	1	-		
	1649V7909	CABLE (F1649), BETWEEN PORT SWITCHES, GROUP	1	-		
	1650V7909	CABLE (F1650), BETWEEN PORT SWITCHES, GROUP	1	-		
	1651V7909	CABLE (F1651), BETWEEN PORT SWITCHES, GROUP	1	-		
	1652V7909	CABLE (F1652), BETWEEN PORT SWITCHES, GROUP	1	-		
	1656V7909	CABLE (F1656), AT RELAY 244, GROUP	1	-		
	1657V7909	CABLE (F1657), AT RELAY 243, GROUP	1	-		
	2723V7909	CABLE (F2723), GROUP (Mod. 1499)	1	-		
	2724V7909	CABLE (F2724), GROUP (Mod. 1499)	1	-		
	2725V7909	CABLE (F2725), GROUP (Mod. 1499)	1	-		

VULCAN Mk. 2

ELECTRICAL INSTALLATION

Page FA. 13

BOMB BAY

Ref. No.	Part No.	Description	No. off	Matl. Spec.	Cl. of	Plate and Illust'n No.
					St. M.R.	
		1 2 3 4				
	1671V7909	CABLE, (F1671) RELAY 240 TO EARTH, GROUP	1	—		
	7327V9114	CABLE, (F1885) 4P TO AILERON ACTUATOR, GROUP (Pre-Mod. 1174)	1	—		
	7315V9114	CABLE, (F1886) 4P TO RUDDER ACTUATOR, GROUP (Pre-Mod. 1174)	1	—		
	7316V9114	CABLE, (F1887) 4P TO ELEVATOR ACTUATOR, GROUP (Pre-Mod. 1174)	1	—		
	7298V9114	CABLE, (F1891) 3P TO RUDDER TRIM ACTUATOR, GROUP (Pre-Mod. 1174)	1	—		
	7297V9114	CABLE, (F1892) 3P TO AILERON TRIM ACTUATOR, GROUP (Pre-Mod. 1174)	1	—		
	1895V9114	CABLE, (F1895) DATUM UNIT TO DISTRIBUTION BOX, GROUP (Pre-Mod. 1174)	1	—		
	1896V9114	CABLE, (F1896) DATUM UNIT TO DISTRIBUTION BOX, GROUP (Pre-Mod. 1174)	1	—		
	1897V9114	CABLE, (F1897) DATUM UNIT TO DISTRIBUTION BOX, GROUP (Pre-Mod. 1174)	1	—		
	1898V9114	CABLE, (F1898) DATUM UNIT TO DISTRIBUTION BOX, GROUP (Pre-Mod. 1174)	1	—		
	1900V9114	CABLE, (F1900) DATUM UNIT TO DISTRIBUTION BOX, GROUP (Pre-Mod. 1174)	1	—		
	7295V9114	CABLE, (F1907) RELAY 173 TO TB. 766, GROUP (Pre-Mod. 1174)	1	—		
	7296V9114	CABLE, (F1908) RELAY 172 TO TB. 766, GROUP (Pre-Mod. 1174)	1	—		
	7294V9114	CABLE, (F1890) 3P TO ELEVATOR TRIM ACTUATOR, GROUP (Pre-Mod. 1174)	1	—		
	2008V7909	CABLE, (F2008) 21P TO 39P, GROUP ...	1	—		
	2073V7909	CABLE, (F2073) RELAY 259 TO TB. 849, GROUP	1	—		

VULCAN Mk. 2

Page FA. 14

ELECTRICAL INSTALLATION

BOMB BAY

Ref. No.	Part No.	Description	No. off	Matl. Spec.	Cl. of	Plate and Illust'n No.
					St. M.R.	
		1 2 3 4				
	2111V7909	CABLE, (F2111) TB. 632 TO V.G. RE- RECORDER, GROUP	1	—		
	2112V7909	CABLE, (F2112) V.G. RECORDER TO EARTH, GROUP	1	—		
	2117V7909	CABLE, (F2117) RELAY SUPPRESSOR TO MACH. TRIM SERVO, GROUP	1	—		
	2118V7909	CABLE, (F2118) RELAY SUPPRESSOR TO MACH. TRIM SERVO, GROUP	1	—		
	2129V7909	CABLE, (F2129) AT REALY 254, GROUP	1	—		
	2132V7909	CABLE, (F2132) RELAY 257, GROUP ...	1	—		
	2364V7909	CABLE, (F2364) TB. 895 TO EARTH, GRP.	1	—		
	2449V7909	CABLE, (F2449) 1J TO 19J, GROUP ...	1	—		
	2450V7909	CABLE, (F2450) 1J TO 18J, GROUP ...	1	—		
	2453V7909	CABLE, (F2453) 2J TO 21J, GROUP ...	1	—		
	2456V7909	CABLE, (F2456) 1J AND 2J TO 20J, GROUP (Pre-Mod. 1174)	1	—		
	7777V7909	CABLE, (F2482), GROUP	1	—		
	2484V7909	CABLE, (F2484) RELAY 254 TO RELAY 257, GROUP	1	—		
	2504V7909	CABLE, (F2504) 29P TO 27P, GROUP (Pre-Mod. 1174)	1	—		
	2510V7909	CABLE, (F2510) 82P TO 27P, GROUP ...	1	—		
	2571V7909	CABLE, (F2571) 28P TO 39P, GROUP ...	1	—		
	2572V7909	CABLE, (F2572) 27P TO 38P, GROUP ...	1	—		
	2573V7909	CABLE, (F2573) 27P TO 15J, GROUP ...	1	—		
	2574V7909	CABLE, (F2574) 28P TO 17J, GROUP ...	1	—		
	2575V7909	CABLE, (F2575) 27P TO 14J, GROUP ...	1	—		
	2576V7909	CABLE, (F2576) 28P TO 16J, GROUP ...	1	—		

VULCAN Mk. 2

**ELECTRICAL INSTALLATION
BOMB BAY**

Page FA. 15

Ref. No.	Part No.	Description				No. off	Matl. Spec.	Cl. of St.	Plate and Illust'n No.
		1	2	3	4			M.R.	
	8042V7909	CABLE, (F1647) RELAY 203 TO TB. 166, GROUP				1	—		
	8043V7909	CABLE, (F1645) RELAY 203 TO PORT MICRO SWITCH, GROUP				1	—		
	8041V7909	CABLE, (F1653) SWITCH J TO SWITCH K, GROUP				1	—		
	7781V7909	CABLE, (F2646) 1J TO 26P, GROUP ...				1	—		
	2753V7909	CABLE, (F2753) TANK "D" TEST PLUG TO TB. 316, GROUP				1	—		
	2754V7909	CABLE, (F2754), GROUP				1	—		
	2755V7909	CABLE, (F2755), GROUP				1	—		
	2756V7909	CABLE, (F2756) TB. 675 TO RELAY 548, GROUP				1	—		
	2580V7909	CABLE, (F2580) TB. 591 TO TB. 813, GRP.				1	—		
	7933V7909	CABLE, (F1468) 15J TO No. 2 CON., GROUP (Mod. 772)				1	—		
	7934V7909	CABLE, (F1469) 15J TO No. 2 CON., GROUP (Mod. 772)				1	—		
	1909V7909	CABLE, (F1909) RELAY 173 TO EARTH, GROUP				1	—		
	1910V7909	CABLE, (F1910) RELAY 173 TO EARTH, GROUP				1	—		
	1911V7909	CABLE, (F1911) RELAY 172 TO EARTH, GROUP				1	—		
	1912V7909	CABLE, (F1912) RELAY 172 TO EARTH, GROUP				1	—		
	1913V7909	CABLE, (F1913) AT RELAY 172, GROUP ...				1	—		
	1914V7909	CABLE, (F1914) AT RELAY 173, GROUP				1	—		
	1915V7909	CABLE, (F1915) AT RELAY 173, GROUP				1	—		
	1916V7909	CABLE, (F1916) AT RELAY 173, GROUP				1	—		

VULCAN Mk. 2

Page FA. 16

ELECTRICAL INSTALLATION

BOMB BAY

Ref. No.	Part No.	Description	No. off	Matl. Spec.	Cl. of	Plate and Illust'n No.
					St. M.R.	
		1 2 3 4				
	2653V7909	CABLE, (F2653) RELAY 257 TO STARBOARD FORWARD MICRO SWITCH, GROUP (Mod. 660)	1	—		
	7806V7909	CABLE, (F857) 56P TO TB's 725, 726 AND 727, GROUP (Mod. 707)	1	—		
	7807V7909	CABLE, (F858) 56P TO TB's 725, 726 AND 727, GROUP (Mod. 707)	1	—		
	2865V7909	CABLE, (F2865) 27P TO TB. 456, GROUP (Mod. 707)	1	—		
	2866V7909	CABLE, (F2866) 28P TO TB. 725, GROUP (Mod. 707)	1	—		
	3030V7909	CABLE, (F3030) RELAY 203 TO EARTH, GROUP	1	—		
	3033V7909	CABLE, (F3033) STARBOARD MICRO SWITCH TO TB. 521, GROUP (Pre-Mod. 1174)	1	—		
	3034V7909	CABLE, (F3034) STARBOARD MICRO SWITCH TO TB. 521, GROUP (Pre-Mod. 1174)	1	—		
	3026V7909	CABLE, (F3026) RELAY 203 TO TB. 604, GROUP	1	—		
	2991V7909	CABLE, (F2991) 15P TO 21P, GROUP (Mod. 774)	1	—		
	2292V7909	CABLE, (F2292) 16P TO 21P, GROUP (Mod. 774)	1	—		
	7943V7909	CABLE, (F453) No. 1 FIRE BOTTLE TO 21P, GROUP (Mod. 774)	1	—		
	7944V7909	CABLE, (F455) No. 2 FIRE BOTTLE TO 21P, GROUP (Mod. 774)	1	—		
	7945V7909	CABLE, (F456) No. 3 FIRE BOTTLE TO 21P, GROUP (Mod. 774)	1	—		
	7946V7909	CABLE, (F457) No. 4 FIRE BOTTLE TO 21P, GROUP (Mod. 774)	1	—		
	2824V7909	CABLE, (F2824) RELAY 254 TO RECTIFIER, GROUP	1	—		
	7942V7909	CABLE, (F1413) RELAY 254 TO RELAY 255 AND RECTIFIER, GROUP	1	—		
	7302V9114	CABLE, (F72) R.P.B. 113 TO 1J, 2J AND 26J, GROUP (Pre-Mod. 1174)	1	—		

VULCAN Mk. 2

ELECTRICAL INSTALLATION

Page FA. 17

BOMB BAY

Ref. No.	Part No.	Description	No. off	Matl. Spec.	Cl. of	Plate and Illust'n No.
					St.	
		1 2 3 4			M.R.	
	7406V9114	CABLE, (F71) R.P.B. 111 TO 26P AND 63P, GROUP (Pre-Mod. 1174)	1	—		
	7407V9114	CABLE, (F114) R.P.B. 138 TO 2J AND 26P, GROUP (Pre-Mod. 1174)	1	—		
	7434V7909	CABLE, (F1977) RELAY SUPPRESSOR (Y1) TO SERVO (Y1), GROUP (Mod. 569)	1	—		
	7435V7909	CABLE, (F1978) RELAY SUPPRESSOR (Y2) TO SERVO (Y2), GROUP	1	—		
	7453B7909	CABLE, (F980) TB. 1176 TO RESISTOR, GROUP (Mod. 569)	1	—		
	7458V7909	CABLE, (F981) FIREWALL BULKHEAD PLUG 739 TO RESISTOR, GROUP (Mod. 569)	1	—		
	7464V7909	CABLE, (F982) FIREWALL BULKHEAD PLUG 740 TO RESISTOR, GRP. (Mod. 569)	1	—		
	7469V7909	CABLE, (F983) RESISTOR TO TB. 1180, GROUP (Mod. 569)	1	—		
	3105V7909	CABLE, (F3105) RELAY 255 TO RECTIFIER, GROUP (Mod. 901)	1	—		
	3106V7909	CABLE, (F3106) RECTIFIER GJ3/M TO RELAY 255, GROUP (Mod. 901)	1	—		
	3107V7909	CABLE, (F3107) RELAY 255 TO RELAY 257, GROUP (Mod. 901)	1	—		
	3104V7909	CABLE, (F3104) AT RELAY 255, GROUP (Mod. 901) (Pre-Mod. 1174)	1	—		
	8092V7909	CABLE, (F2349) 27P TO 78P, GROUP (Pre-Mod. 1174)	1	—		
	2352V7909	CABLE, (F2352) AFT TANK BRK. 926 TO 80P, GROUP	1	—		
	2391V7909	CABLE, (F2391) 80P TO EARTH, GROUP	1	—		
	2392V7909	CABLE, (F2392) 80P TO EARTH, GROUP	1	—		
	2412V7909	CABLE, (F2412) No. 1 FIRE EXT. TO 78P, GROUP	1	—		
	2413V7909	CABLE, (F2413) No. 2 FIRE EXT. TO 78P, GROUP	1	—		
	2414V7909	CABLE, (F2414) No. 3 FIRE EXT. TO 78P, GROUP	1	—		

VULCAN Mk. 2

Page FA. 18

ELECTRICAL INSTALLATION

BOMB BAY

Ref. No.	Part No.	Description	No. off	Matl. Spec.	Cl. of	Plate and Illust'n No.
					St. M.R.	
		1 2 3 4				
	2415V7909	CABLE, (F2415) No. 4 FIRE EXT. TO 78P, GROUP	1	—		
	2416V7909	CABLE, (F2416) No. 5 FIRE EXT. TO 78P, GROUP	1	—		
	2417V7909	CABLE, (F2417) No. 6 FIRE EXT. TO 78P, GROUP	1	—		
	2418V7909	CABLE, (F2418) No. 7 FIRE EXT. TO 78P, GROUP	1	—		
	2419V7909	CABLE, (F2419) No. 8 FIRE EXT. TO 78P, GROUP	1	—		
	8091V7909	CABLE, (F2421) 78P TO 2J, GROUP ...	1	—		
	2440V7909	CABLE, (F2440) 2J TO 26P, GROUP ...	1	—		
	2779V7909	CABLE, (F2779) 36P TO 21P, GROUP ...	1	—		
	2675V7909	CABLE, (F2675) TB. 164 TO TB. 463, GRP. (Pre-Mod. 1744)	1	—		
	2697V7909	CABLE, (F2697) PLUG 920 TO TB. 164, GROUP (Pre-Mod. 1744)	1	—		
	8221V7909	CABLE, (F549) 23P TO FOLLOW UP RESISTOR, COLD AIR ACTUATOR No. 2 MICRO SWITCH AND INCH CONTROLLER, GROUP (Mod. 862)	1	—		
	2420V7909	CABLE, (F2420) 78P TO EARTH, GROUP	1	—		
	8151V7909	CABLE, (F3058) 27P TO TB. 1575, GROUP	1	—		
	8152V7909	CABLE, (F3059) 27P TO TB. 1573, GROUP	1	—		
	8153V7909	CABLE, (F3060) 28P TO TB. 1573, GROUP	1	—		
	8154V7909	CABLE, (F3061) 28P TO TB. 1573, GROUP	1	—		
	8155V7909	CABLE, (F3062) 27P TO TB. 1572, GROUP (Pre-Mod. 1174)	1	—		
	8156V7909	CABLE, (F3063) 28P TO TB. 1572, GROUP (Pre-Mod. 1174)	1	—		
	8157V7909	CABLE, (F3064) 28P TO TB. 1574, GROUP (Pre-Mod. 1174)	1	—		

ELECTRICAL INSTALLATION

BOMB BAY

Ref. No.	Part No.	Description	No. off	Matl. Spec.	Cl. of St.	Plate and Illust'n No.
					M.R.	
		1 2 3 4				
	8158V7909	CABLE, (F3065) 27P TO TB.1574, GROUP (Pre-Mod. 1174)	1	-		
	8214V7909	CABLE, (F2338) FORWARD PLUG 919 TO ... EARTH, 21P AND 36P, GROUP	1	-		
	8266V7909	CABLE, (F2340) AFT PLUG 927 TO EARTH, . 21P AND 36P, GROUP	1	-		
	8138V7909	CABLE, (F2341) 15P TO 36P, GROUP	1	-		
	8212V7909	CABLE, (F2353) AFT TANK BRK. 925 TO 78P, GROUP	1	-		
	8136V7909	CABLE, (F2355) 28P TO 78P, GROUP	1	-		
	8133V7909	CABLE, (F2357) 28P TO 78P, GROUP	1	-		
	8132V7909	CABLE, (F2360) TANK BRK. 918 TO 80P, GROUP	1	-		
	8137V7909	CABLE, (F2361) TANK BRK. 917 TO 78P, GROUP	1	-		
	8135V7909	CABLE, (F2378) 28P TO 78P, GROUP	1	-		
	1264V7909	CABLE, (F1264), GROUP (Pre-Mod. 748)	1	-		
	8096V7909	CABLE, (F1264) 26P TO STARBOARD AFT .. MICRO SWITCH, GROUP (Mod. 748) (Pre-Mod. 1174)	1	-		
	2643V7909	CABLE, (F2643), GROUP (Pre-Mod. 748)	1	-		
	8098V7909	CABLE, (F2643) STARBOARD FORWARD ... MICRO SWITCH TO PORT FORWARD MICRO SWITCH, GROUP (Mod. 748)	1	-		
	2644V7909	CABLE, (F2644), GROUP (Pre-Mod. 748)	1	-		
	8099V7909	CABLE, (F2644) STARBOARD FORWARD ... MICRO SWITCH TO PORT AFT MICRO SWITCH, GROUP (Mod. 748)	1	-		
	2676V7909	CABLE, (F2676), GROUP (Pre-Mod. 748)	1	-		
	8100V7909	CABLE, (F2676) STARBOARD AFT MICRO .. SWITCH TO PORT AFT MICRO SWITCH, GROUP (Mod. 748)	1	-		
	2890V7909	CABLE, (F2890) No. 2 PT. FORWARD TO 2J, GROUP (Mod. 748)	1	-		
	8346V7909	CABLE, (F918) 2J TO 39P, GROUP	1	-		
	8334V7909	CABLE, (F682) 1J TO 39P, GROUP	1	-		
	8337V7909	CABLE, (F913) RELAY 415 TO TB's. 553, 559 AND 566, GROUP (Mod. 952)	1	-		
	3187V7909	CABLE, (F3187) 1J TO 2J, GROUP	1	-		

ELECTRICAL INSTALLATION

BOMB BAY

Ref. No.	Part No.	Description	No. off	Matl. Spec.	Cl. of	Plate and Illust'n No.
					St. M.R.	
		1 2 3 4				
	3194V7909	CABLE, (F3194) AT RELAY 416, GROUP (Mod. 952)	1	—		
	3195V7909	CABLE, (F3195) AT RELAY 416, GROUP (Mod. 952)	1	—		
	8572V7909	CABLE, (F3112) RELIEF VALVE TO RELAY . 574 AND EARTH, GROUP (Mod. 748) (Pre-Mod. 1174)	1	—		
	3201V7909	CABLE, (F3201) AT RELAY 416, GROUP	1	—		
	3202V7909	CABLE, (F3202) AT RELAY 416, GROUP	1	—		
	3203V7909	CABLE, (F3203) AT RELAY 416, GROUP	1	—		
	3204V7909	CABLE, (F3204) AT RELAY 416, GROUP	1	—		
	8163V7909	CABLE, (F2390) 80P TO 1J, GROUP	1	—		
	8139V7909	CABLE, (F2442) 1J TO 26P, GROUP	1	—		
	8167V7909	CABLE, (F2461) 78P TO 1J, GROUP	1	—		
	8200V7909	CABLE, (F2698) PLUG 928 TO TB.163, GROUP (Pre-Mod. 1744)	1	—		
	8164V7909	CABLE, (F2776) 26P TO 1J, GROUP	1	—		
	8161V7909	CABLE, (F2777) 26P TO 1J, GROUP	1	—		
	8228V7909	CABLE, (F603) GROUP, (Pre-Mod. 2253)	1	—		
	9889V7909	CABLE, (F603) 26P TO 2J, GROUP (Mod. 2253)	1	—		
	8184V7909	CABLE, (F3029) RELAY 203 TO MICRO SWITCH, GROUP (Pre-Mod. 1174)	1	—		
	8177V7909	CABLE, (F2362) PORT FORWARD MICRO . . . SWITCH TO 65P, GROUP	1	—		
	8383V7909	CABLE, (F2095) TB.638 TO RELAY 392, GROUP (Mod. 1000)	1	—		
	8382V7909	CABLE, (F2182) 1J TO 74P, GROUP (Mod. 1000)	1	—		
	8116V7909	CABLE, (F2087) 1J TO 29P, GROUP (Pre-Mod. 975)	1	—		
	8416V7909	CABLE, (F2087) 1J TO 29J, GROUP (Mod. 975)	1	—		
	8271V7909	CABLE, (F2392), GROUP	1	—		

VULCAN Mk. 2

ELECTRICAL INSTALLATION

Page FA. 21

BOMB BAY

Ref. No.	Part No.	Description	No. off	Matl. Spec.	Cl. of	Plate and Illust'n No.
					St. M.R.	
		1 2 3 4				
	2511V7909	CABLE, (F2511) RECTIFIER TO TB. 603, GROUP (Mod. 636)	1	—		
	2512V7909	CABLE, (F2512) RECTIFIER TO TB. 604, GROUP (Mod. 636)	1	—		
	3533V7909	CABLE, (F3533) RELAY 255 TO RELAY 760, GROUP (Mod. 1363)	1	—		
	3534V7909	CABLE, (F3523) RELAY 760 TO TB. 13, GROUP (Mod. 1363)	1	—		
	3535V7909	CABLE, (F3535) RELAY 760 TO EARTH, GROUP (Mod. 1363)	1	—		
	8778V7909	CABLE, (F2838) RELAYS 255, 574, 760 TO TB. 849, GROUP (Mod. 1363)	1	—		
	8780V7909	CABLE, (F1401) RELAY 255 TO PRESSURE SWITCH, GROUP (Mod. 1363)	1	—		
	8371V7909	CABLE, (F511) AILERON ACTUATOR TO TB. 724, GROUP (Mod. 1003)	1	—		
	8372V7909	CABLE, (F514) ACTUATOR TO TB. 722, GROUP (Mod. 1003)	1	—		
	8373V7909	CABLE, (F1944) ELECT. COMP. BOX TO 19P, EARTH, GROUP (Mod. 1003)	1	—		
	8374V7909	CABLE, (F1945) ELECT. COMP. BOX TO 19P EARTH, GROUP (Mod. 1003)	1	—		
	8375V7909	CABLE, (F1946) RELAY 130 TO EARTH, GROUP (Mod. 1003)	1	—		
	8378V7909	CABLE, (F1536) 26P TO EARTH AND 66P, GROUP (Mod. 1003)	1	—		
	8290V7909	CABLE, (F2156) RELAY 259 TO 28P, GROUP (Mod. 1074)	1	—		
	3215V7909	CABLE, (F3215) RESISTOR TO TB. 603, GROUP	1	—		
	3216V7909	CABLE, (F3216) TB. 604 TO AIR BRAKE ACTUATOR, GROUP	1	—		
	8438V7909	CABLE, (F2511) RECTIFIER TO TB. 603 AND RESISTOR, GROUP	1	—		
	8439V7909	CABLE, (F2512) RECTIFIER TO TB. 604 AND RESISTOR, GROUP	1	—		
	9302V7909	CABLE, (F3534), GROUP	1	—		
	9312V7909	CABLE, (F542), GROUP	1	—		

VULCAN Mk. 2

Page FA. 22

ELECTRICAL INSTALLATION

BOMB BAY

Ref. No.	Part No.	Description	No. off	Matl. Spec.	Cl. of	Plate and Illust'n No.
					St. M.R.	
		1 2 3 4				
17063	8291V7909	CABLE, (F2157) RELAY 259 TO HYD. MOTOR, GROUP (Mod. 1074) (Pre-Mod. 1174)	1	—		
	8560V7909	CABLE, (F2483) RELAY 259 TO EARTH, GROUP (Mod. 1074) (Pre-Mod. 1174)	1	—		
	3171V7909	CABLE, (F3171) AT RELAY 255, GROUP (Mod. 1074)	1	—		
	7870V7909	CABLE, (F2064) PLUG 14 TO 26P, GROUP (Pre-Mod. 1194)	1	—		
	8853V7909	CABLE, (F2064) PLUG 14 TO TB. 433, GROUP (Mod. 1194)	1	—	B	
	8711V7909	CABLE, (F2482) RELAY 255 TO RELAY 574, GROUP	1	—		
	3643V7909	CABLE, (F3643) 1J TO 26P, GROUP (Mod. 1451)	1	—		
	3127V7909	CABLE, (F3127) J.B. TO P.O. SERVO, GROUP	1	—		
	3128V7909	CABLE, (F3128) J.B. TO No. 1 ENGINE EQUIP., GROUP	1	—		
	3129V7909	CABLE, (F3129) J.B. TO P.I. SERVO, GROUP	1	—		
	3130V7909	CABLE, (F3130) J.B. TO No. 2 ENGINE EQUIP., GROUP	1	—		
	3131V7909	CABLE, (F3131) J.B. TO S.I. SERVO, GROUP	1	—		
	3132V7909	CABLE, (F3132) J.B. TO No. 3 ENGINE EQUIP., GROUP	1	—		
	3133V7909	CABLE, (F3133) RELAY 250 TO EARTH, GROUP	1	—		
	3134V7909	CABLE, (F3134) RELAY 251 TO EARTH, GROUP	1	—		
	3135V7909	CABLE, (F3135) J.B. TO 27P, GROUP ...	1	—		
	3136V7909	CABLE, (F3136) J.B. TO S.O. SERVO, GROUP	1	—		
	3137V7909	CABLE, (F3137) J.B. TO No. 4 ENGINE EQUIP., GROUP	1	—		
	3142V7909	CABLE, (F3142) RELAY 250 TO RELAY 251, GROUP	1	—		

ELECTRICAL INSTALLATION

BOMB BAY

Ref. No.	Part No.	Description	No. off	Matl. Spec.	Cl. of St.	Plate and Illust'n No.
					M.R.	
		1 2 3 4				
	3143V7909	CABLE, (F3134) RELAY 250 TO RELAY 251, . GROUP	1	-		
	3265V7909	CABLE, (F3265) 27P TO RELAY 719, GROUP .	1	-		
	3270V7909	CABLE, (F3270) RELAY 719 TO EARTH, GROUP	1	-		
	8680V7909	CABLE, (F3366) 83P TO AILERON COMP. . . . BOX, GROUP (Mod. 1073) (Pre-Mod. 1174)	1	-		
	8738V7909	CABLE, (F1639) RELAY 240 TO STAR- BOARD SWITCHES, GROUP (Pre-Mod. 1174)	1	-		
	9754V7909	CABLE, (F541) 43P TO INCH CONTROLLER, . FOLLOW UP RESISTOR AND COLD AIR ACTUATOR, GROUP (Mod. 2074)	1	-		
	8533V7909	CABLE, (F2650) AIRBRAKE ACTUATOR TO . T.R.U., GROUP	1	-		
	8537V7909	CABLE, (F539) 43P TO TB's 851 AND 852, . . . GROUP	1	-		
	8538V7909	CABLE, (F429) TB.812 TO TB.813, GROUP . . .	1	-		
	8539V7909	CABLE, (F2674) TB.163 TO TB.459, GROUP . . (Pre-Mod. 1744)	1	-		
	8621V7909	CABLE, (F2359) 1J TO STARBOARD AFT PRESSURE SWITCH, GROUP	1	-		
	8622V7909	CABLE, (F2380) 1J TO PORT AFT PRESSURE SWITCH, GROUP	1	-		
	8540V9114	CABLE, (F1905) TB.724 TO RELAY 130, GROUP (Pre-Mod. 1174)	1	-		
	8541V9114	CABLE, (F1903) TB.8 TO TB's 891, 892 AND 893, GROUP (Pre-Mod. 1174)	1	-		
	8544V9114	CABLE, (F1904) RELAYS 132 AND 133 TO . . TB's 722 AND 723, GROUP (Pre-Mod. 1174)	1	-		
	3363V7909	CABLE, (F3363) TB.818 TO RELAY 423, GROUP (Mod. 1073)	1	-		
	3364V7909	CABLE, (F3364) TB.818 TO TB.1210, GROUP (Mod. 1073)	1	-		
	3367V7909	CABLE, (F3367) 83P TO 2J AND 66P, GROUP (Mod. 1073)	1	-		
	3770V7909	CABLE, (F3770) TB.515 TO J1, GROUP	1	-		

ELECTRICAL INSTALLATION

BOMB BAY

Ref. No.	Part No.	Description	No. off	Mati. Spec.	Cl. of	Plate and Illust'n No.
					St. M.R.	
		1 2 3 4				
	3368V7909	CABLE, (F3368) TB.1150 TO TB.721,..... GROUP (Mod. 1073)	1	-		
	3369V7909	CABLE, (F3369) TIME DELAY UNIT TO TB.1150, GROUP (Mod. 1073)	1	-		
	3370V7909	CABLE, (F3370) 66P TO TB.1150, GROUP (Mod. 1073)	1	-		
	2852V7909	CABLE, (F2852) RELAY 423 TO EARTH, GROUP (Mod. 1073)	1	-		
	2853V7909	CABLE, (F2853) RELAY 423 LINK, GROUP .. (Mod. 1073)	1	-		
	2857V7909	CABLE, (F2857) RELAY 423 TO MICRO SWITCH, GROUP (Mod. 1073)	1	-		
	2861V7909	CABLE, (F2861) MACH. TRIM AMPLIFIER ... RACK TO RELAY 423, GROUP (Mod. 1073)	1	-		
	8618V7909	CABLE, (F1533) TB's 816, 891 AND 893 TO .. 66P, GROUP (Mod. 1073)	1	-		
	8614V7909	CABLE, (F2664) MACH. TRIM AMPLIFIER ... TO TB's 818, 1210 AND 1218, GROUP (Mod. 1073)	1	-		
	8623V7909	CABLE, (F2525) ELECT. COMP. BOX TO ART. FEEL ACTUATOR AND AILERON ELECT. UNIT, GROUP	1	-		
	3606V7909	CABLE, (F3606) AT RELAY 677, GROUP (Mod. 1340)	1	-		
	7918V7909	CABLE (F2838), GROUP (Pre-Mod. 748)	1	-		
	8781V7909	CABLE, (F2838) TIME DELAY UNIT TO RELAYS 255, 760, TB.849 AND RELIEF VALVE, GROUP (Mod. 1363)	1	-		
	8874V7909	CABLE, (F1985) 10J TO 28P, GROUP	1	-		
	9945V7909	CABLE, (F1986) 10J TO 27P, GROUP	1	-		
	8846V7909	CABLE, (F2456) 20J TO 1J AND 2J, GROUP .. (Mod. 1320)	1	-		
	8975V7909	CABLE, (F3062) 27P TO TB.1572, GROUP (Mod. 1320)	1	-		
	8874V7909	CABLE, (F3364), GROUP	1	-		

VULCAN Mk. 2

ELECTRICAL INSTALLATION
BOMB BAY

Page FA. 25

Ref. No.	Part No.	Description	No. off	Matl. Spec.	Cl. of St.	Plate and Illust'n No.
					M.R.	
	8976V7909	CABLE (F3063), 28P TO TB.1572, GROUP (Mod. 1320)	1	—		
	8977V7909	CABLE (F3064), 28P TO TB.1574, GROUP (Mod. 1320)	1	—		
	8978V7909	CABLE (F3065), 27P TO TB.1574, GROUP (Mod. 1320)	1	—		
	3516V7909	CABLE (F3516), AT RELAY 318, GROUP (Mod. 1320)	1	—		
	3517V7909	CABLE (F3517), AT RELAY 318, GROUP (Mod. 1320)	1	—		
	3518V7909	CABLE (F3518), AT RELAY 318 TO EARTH, . GROUP (Mod. 1320)	1	—		
	9505V7909	CABLE (F3519), RELAY 318 TO 27P, GROUP . (Mod. 1800)	1	—		
	9506V7909	CABLE (F3530), RELAY 318 TO 28P, GROUP . (Mod. 1800)	1	—		
	9507V7909	CABLE (F3531), 27P TO 28P, GROUP (Mod. 1800)	1	—		
	3556V7909	CABLE (F3556), TB.414 TO No. 1 RECTIFIER, GROUP (Mod. 1504)	1	—		
	3557V7909	CABLE (F3557), No. 1 RECTIFIER TO TB.553, GROUP (Mod. 1504)	1	—		
	3558V7909	CABLE (F3558), No. 2 RECTIFIER TO TB.553, GROUP (Mod. 1504)	1	—		
	3559V7909	CABLE (F3559), TB.415 TO No. 2 RECTIFIER, GROUP	1	—		
	3560V7909	CABLE (F3560), 78P TO TB.414, GROUP (Mod. 1504)	1	—		
	3561V7909	CABLE (F3561), 78P TO TB.415, GROUP (Mod. 1504)	1	—		
	3562V7909	CABLE (F3562), 78P TO 80P, GROUP (Mod. 1504)	1	—		
	3563V7909	CABLE (F3563), 78P TO 80P, GROUP (Mod. 1504)	1	—		
	3564V7909	CABLE (F3564), 78P TO 80P, GROUP (Mod. 1504)	1	—		
	7302V7909	CABLE (F72), R.P.B. 113 TO 26P AND 63P, ... GROUP	1	—		

VULCAN Mk. 2

Page FA. 26

ELECTRICAL INSTALLATION

BOMB BAY

Ref. No.	Part No.	Description	No. off	Matl. Spec.	Cl. of St.	Plate and Illust'n No.
					M.R.	
		1 2 3 4				
	3565V7909	CABLE (F3565), 78P TO 80P, GROUP (Mod. 1504)	1	-		
	3566V7909	CABLE (F3566), 78P TO TB.1675 AND RELAY 766, GROUP (Mod. 1504)	1	-		
	3570V7909	CABLE (F3570), TB.1675 TO EARTH, GROUP (Mod. 1504)	1	-		
	3572V7909	CABLE (F3572), 78P TO TB.1675, GROUP (Mod. 1504)	1	-		
	3573V7909	CABLE (F3573), 78P TO TB.1675, GROUP (Mod. 1504)	1	-		
	8926V7909	CABLE (F2359), STARBOARD PRESSURE ... SWITCH TO 1J AND 78P, GROUP (Mod. 1504)	1	-		
	9526V7909	CABLE (F2380), PORT PRESSURE SWITCH .. TO 1J AND 78P, GROUP (Mod. 1504)	1	-		
	3567V7909	CABLE (F3567), RELAY 763 TO TB.1676, GROUP (Mod. 1504)	1	-		
	3571V7909	CABLE (F3571), TB.1676 TO EARTH, GROUP (Mod. 1504)	1	-		
	3574V7909	CABLE (F3574), 78P TO TB.1676, GROUP (Mod. 1504)	1	-		
	3575V7909	CABLE (F3575), 78P TO TB.1676, GROUP (Mod. 1504)	1	-		
14.3506	8494V7909	CABLE (F1639), RELAY 240 TO STARBOARD MICRO SWITCH, GROUP (Mod. 1340)	1	-	C	
	3607V7909	CABLE (F3607), 2J TO RELAYS 243, 244, 677 AND PORT MICRO SWITCH, GROUP (Mod. 1340)	1	-		
	3608V7909	CABLE (F3608), RELAY 244 TO PORT MICRO SWITCH, GROUP (Mod. 1340)	1	-		
	3609V7909	CABLE (F3609), TB.1679 TO RELAY 244, GROUP (Mod. 1340)	1	-		
	3610V7909	CABLE (F3610), RELAY 243 TO PORT MICRO SWITCH, GROUP (Mod. 1340)	1	-		

VULCAN Mk. 2

ELECTRICAL INSTALLATION

Page FA. 27

BOMB BAY

Ref. No.	Part No.	Description	No. off	Matl. Spec.	Cl. of St.	Plate and Illust'n No.
					M.R.	
		1 2 3 4				
	3611V7909	CABLE (F3611), TB.1679 TO PORT MICRO ... SWITCH, GROUP (Mod. 1340)	1	-		
	3612V7909	CABLE (F3612), TB.1678 TO PORT MICRO ... SWITCH, GROUP (Mod. 1340)	1	-		
	3613V7909	CABLE (F3613), TB.1677 TO PORT MICRO ... SWITCH, GROUP (Mod. 1340)	1	-		
	3614V7909	CABLE (F3614), RESISTOR TO RELAYS 243, 244, GROUP (Mod. 1340)	1	-		
	3615V7909	CABLE (F3615), TB.1680 TO RELAY 677, GROUP (Mod. 1340)	1	-		
	3616V7909	CABLE (F3616), RELAY 240 TO RELAYS 243, 244, GROUP (Mod. 1340)	1	-		
	3617V7909	CABLE (F3617), RELAY 243 TO PORT MICRO SWITCH, GROUP (Mod. 1340)	1	-		
	3618V7909	CABLE (F3618), RB.166 TO STARBOARD ... MICRO SWITCH, GROUP (Mod. 1340)	1	-		
	3620V7909	CABLE (F3620), TB.1679 TO STARBOARD ... MICRO SWITCH, GROUP (Mod. 1340)	1	-		
	3621V7909	CABLE (F3621), TN.1677 TO STARBOARD .. MICRO SWITCH, GROUP (Mod. 1340)	1	-		
	3624V7909	CABLE (F3624), TB.1680 TO STARBOARD ... MICRO SWITCH, GROUP (Mod. 1340)	1	-		
	3625V7909	CABLE (F3625), TB.1678 TO STARBOARD ... MICRO SWITCH, GROUP (Mod. 1340)	1	-		
	3626V7909	CABLE (F3626), TB.1678 TO RELAY 243, GROUP (Mod. 1340)	1	-		
	3627V7909	CABLE (F3627), STARBOARD MICRO SWITCH TO TB's 521 AND 1680, GROUP (Mod. 1340)	1	-		
	3628V7909	CABLE (F3628), TB.1677 TO RELAY 678, GROUP (Mod. 1340)	1	-		
	3630V7909	CABLE (F3630), TB.1679 TO TB.1680, GROUP (Mod. 1340)	1	-		
	3631V7909	CABLE (F3631), RELAY 677 TO RELAY 244, . GROUP (Mod. 1340)	1	-		
	3948V7909	CABLE (F3948), RELAYS 47 TO RELAY 554, . GROUP (Mod. 2087)	1	-		
	3976V7909	CABLE (F3976), GROUP (Mod. 2082)	1	-		

ELECTRICAL INSTALLATION

BOMB BAY

Ref. No.	Part No.	Description	No. off	Matl. Spec.	Cl. of St.	Plate and Illust'n No.
					M.R.	
		1 2 3 4				
	3632V7909	CABLE (F3632), RELAY 678 TO RELAY 243, GROUP (Mod. 1340)	1	—		
	3633V7909	CABLE (F3633), RELAY 677 TO RELAY 678, GROUP (Mod. 1340)	1	—		
	3634V7909	CABLE (F3634), RELAY 244 TO EARTH, GROUP (Mod. 1340)	1	—		
	3635V7909	CABLE (F3635), RELAY 243 TO EARTH, GROUP (Mod. 1340)	1	—		
	3636V7909	CABLE (F3636), PORT TEST SOCKET TO TB.1678, GROUP (Mod. 1340)	1	—		
	3637V7909	CABLE (F3637), STARBOARD TEST SOCKET TO TB.1679, GROUP (Mod. 1340)	1	—		
	3638V7909	CABLE (F3638), AT RELAY 678, GROUP (Mod. 1340)	1	—		
	8952V7909	CABLE (F1650), BETWEEN MICRO SWITCHES, GROUP (Mod. 1340)	1	—		
	8965V7909	CABLE (F2519), TIME DELAY UNIT TO TB.603 AND RELAY 677, GROUP (Mod. 1340)	1	—		
	8966V7909	CABLE (F2520), TIME DELAY UNIT TO TB.604 AND RELAY 678, GROUP (Mod. 1340)	1	—		
	8968V7909	CABLE (F1633), 2J TO RELAYS 240 AND 678, GROUP (Mod. 1340) (Pre-Mod. 2352)	1	—		
	8954V7909	CABLE (F1638), RELAY 240 TO PORT MICRO SWITCH, GROUP (Mod. 1340)	1	—		
	8943V7909	CABLE (F1631), 2J TO TB.166 AND PORT ... MICRO SWITCH, GROUP (Mod. 1340) (Pre-Mod. 2352)	1	—		
	8945V7909	CABLE (F1642), TB.166 TO PORT MICRO SWITCH, GROUP (Mod. 1340) (Pre-Mod. 2352)	1	—		
	8963V7909	CABLE (F1640), RESISTOR TO PORT MICRO SWITCH, GROUP (Mod. 1340) (Pre-Mod. 2352)	1	—		
	8961V7909	CABLE (F1654), PORT MICRO SWITCH TO RELAY 230, GROUP (Mod. 1340)	1	—		
	8957V7909	CABLE (F3034), STARBOARD MICRO SWITCH TO TB.521, GROUP (Mod. 1340)	1	—		
	8034V7909	CABLE (F8034), GROUP	1	—		
	8065V7909	CABLE (F1159), GROUP	1	—		

ELECTRICAL INSTALLATION

BOMB BAY

Ref. No.	Part No.	Description	No. off	Matl. Spec.	Cl. of St.	Plate and Illust'n No.
					M.R.	
		1 2 3 4				
	8944V7909	CABLE (F1637), RELAY 240 TO PORT MICRO SWITCH, GROUP (Mod. 1340)	1	—		
	8948V7909	CABLE (F1643), TB.166 TO PORT MICRO SWITCH, GROUP (Mod. 1340)	1	—		
	8964V7909	CABLE (F1641), RESISTOR TO STARBOARD MICRO SWITCH, GROUP (Mod. 1340) (Pre-Mod. 2352)	1	—		
	8960V7909	CABLE (F3029), RELAY 203 TO STARBOARD MICRO SWITCH, GROUP (Mod. 1340)	1	—		
	8962V7909	CABLE (F1655), TB.603 TO STARBOARD MICRO SWITCH, GROUP (Mod. 1340)	1	—		
	8965V7909	CABLE (F3033), TB.521 TO STARBOARD MICRO SWITCH, GROUP (Mod. 1340)	1	—		
	8953V7909	CABLE (F1652), AT MICRO SWITCHES GROUP (Mod. 1340)	1	—		
	8951V7909	CABLE (F1630), TO RELAY 678, GROUP (Mod. 1340)	1	—		
	8946V7909	CABLE (F1648), TB.166 TO STARBOARD MICRO SWITCH, GROUP (Mod. 1340) (Pre-Mod. 2352)	1	—		
	8947V7909	CABLE (F1645), TB.166 TO STARBOARD MICRO SWITCH, GROUP (Mod. 1340)	1	—		
	8959V7909	CABLE (F3024), TB.1678 TO STARBOARD . . . MICRO SWITCH, GROUP (Mod. 1340)	1	—		
	8955V7909	CABLE (F3032), TB.521 TO PORT MICRO SWITCH, GROUP (Mod. 1340)	1	—		
	8958V7909	CABLE (F3025), TB.521 TO PORT MICRO SWITCH, GROUP (Mod. 1340)	1	—		
	3798V7909	CABLE (F3798), TB.1325 TO 66P, GROUP (Mod. 1806)	1	—		
	9508V7909	CABLE (F2525), GROUP (Mod. 1806)	1	—		
	3839V7909	CABLE (F3839), TB.1150 TO 66P, GROUP (Mod. 1856)	1	—		
	3840V7909	CABLE (F3540), RECTIFIER GJ5M TO TB.1150, GROUP (Mod. 1856)	1	—		
	3841V7909	CABLE (F3841), RECTIFIER GJ5M TO 66P, . . GROUP (Mod. 1856)	1	—		
	9128V7909	CABLE (F1946), GROUP	1	—		
	9192V7909	CABLE (F1629), GROUP (Mod. 7552)	1	—		

ELECTRICAL INSTALLATION

BOMB BAY

Ref. No.	Part No.	Description	No. off	Matl. Spec.	Cl. of St.	Plate and Illust'n No.
					M.R.	
		1 2 3 4				
	9465V7909	CABLE (F2349), GROUP	1	-		
	9848V7909	CABLE (F2378), GROUP	1	-		
	9487V7909	CABLE (F264), GROUP	1	-		
	9583V7909	CABLE (F1944), GROUP	1	-		
	9584V7909	CABLE (F1945), GROUP	1	-		
	9585V7909	CABLE (F514), GROUP	1	-		
	9586V7909	CABLE (F1948), GROUP	1	-		
	9591V7909	CABLE (F1533), GROUP	1	-		
	9592V7909	CABLE (F1536), GROUP	1	-		
	9601V7909	CABLE (F3369), GROUP (Mod. 1856)	1	-		
	9602V7909	CABLE (F3370), GROUP (Mod. 1856)	1	-		
	9603V7909	CABLE (F515), GROUP (Mod. 1856)	1	-		
	9604V7909	CABLE (F3367), GROUP (Mod. 1856)	1	-		
	9606V7909	CABLE (F3366), GROUP (Mod. 1856)	1	-		
	9609V7909	CABLE (F3128), GROUP (Mod. 1856)	1	-		
	9611V7909	CABLE (F3130), GROUP (Mod. 1856)	1	-		
	9613V7909	CABLE (F3132), GROUP (Mod. 1856)	1	-		
	9615V7909	CABLE (F3137), GROUP (Mod. 1856)	1	-		
	9617V7909	CABLE (F2857), GROUP (Mod. 1856)	1	-		
	9630V7909	CABLE (F511), GROUP	1	-		
	9631V7909	CABLE (F2726), GROUP	1	-		
	9715V7909	CABLE (F2612), GROUP (Mod. 2005)	1	-		
	9788V7909	CABLE (F1206), GROUP (Mod. 2082)	1	-		

VULCAN Mk. 2

ELECTRICAL INSTALLATION

Page FA. 30A

BOMB BAY

Ref. No.	Part No.	Description	No. off	Mati. Spec.	Cl. of St.	Plate and Illust'n No.
					M.R.	
		1 2 3 4				
	4189V7909	CABLE (F4189), GROUP (Mod. 2352) (Pre Mod. 2388)	1	—		
	4190V7909	CABLE (F4190), GROUP (Mod. 2352) (Pre Mod. 2388)	1	—		
	5191V7909	CABLE (F4191), GROUP (Mod. 2352)	1	—		
	4192V7909	CABLE (F4192), GROUP (Mod. 2352)	1	—		
	4193V7909	CABLE (F4193), GROUP (Mod. 2352)	1	—		
	4194V7909	CABLE (F4194), GROUP (Mod. 2352)	1	—		
	4195V7909	CABLE (F4195), GROUP (Mod. 2352)	1	—		
	4196V7909	CABLE (F4196), GROUP (Mod. 2352)	1	—		
	4197V7909	CABLE (F4197), GROUP (Mod. 2352)	1	—		
	4198V7909	CABLE (F4198), GROUP (Mod. 2352)	1	—		
	4199V7909	CABLE (F4199), GROUP (Mod. 2352)	1	—		
	4241V7909	CABLE (F4241), GROUP (Mod. 2467)	1	—		
	9938V7909	CABLE (F9938), GROUP (Mod. 2352)	1	—		
	9939V7909	CABLE (F9939), GROUP (Mod. 2352)	1	—		
	9940V7909	CABLE (F9940), GROUP (Mod. 2352)	1	—		
	9941V7909	CABLE (F9941), GROUP (Mod. 2352)	1	—		
	9942V7909	CABLE (F9942), GROUP (Mod. 2352)	1	—		
	9943V7909	CABLE (F9943), GROUP (Mod. 2352)	1	—		
	9944V7909	CABLE (F9944), GROUP (Mod. 2352)	1	—		
	9945V7909	CABLE (F9945), GROUP (Mod. 2352) (Pre Mod. 2467)	1	—		
	9976V7909	CABLE (F1648), GROUP (Mod. 2467)	1	—		
	9959V7909	CABLE (F9959), GROUP (Mod. 2388)	1	—		
	9960V7909	CABLE (F9960), GROUP (Mod. 2388)	1	—		

ELECTRICAL INSTALLATION

BOMB BAY

Ref. No.	Part No.	Description	No. off	Matl. Spec.	Cl. of St.	Plate and Illust'n No.
					M.R.	
		1 2 3 4				
		ELECTRICAL INSTALLATION IN BOMB BAY (V8222 AND V11319) (Cont'd)				
	9946V7909	CABLE (F9946), GROUP (Mod. 2352)	1	—		
	9951V7909	CABLE (F9951), GROUP (Mod. 2352)	1	—		
5UD/4388977	CX170465	Capacitor (Mod. 2398)	6	—	C	FA1/12
5CZ/4335794	ROTAX ZA/7801	Condenser (Pre Mod. 2398)	4	—	A	FA1/12
	HELLERMANN SR5128	Connector, rubber	2	—		
5CW/4405179	B.T.H. LDG. 100Y10	Contacto (Mod. 1340)	2	—	A	FA1/13
5CW/4405319	B.T.H. LDK.35Y3/2	Contacto	3	—	A	FA1/14
	51V8061	CONTAINER, CAPACITOR, GROUP	2	—	—	FA1/12A
		(Mod. 2398)				
		Spares for:—				
	51bV8061	Box, mounting	1	—	—	
10H/0119925	—	Fuse, 10 amp.	3	—	C	
10H/0590100	—	Holder, fuse	3	—	C	
28M/1278189	AGS2001/B1	Nut, stiff	4	—	C	
28M/1012015	AGS2001/C1/66	Nut, stiff	8	—	C	
1936	4SS4199	Screw, 2 BA	8	—	C	
28S/1011479	A31/B48	Screw	4	—	C	
28S/1200040	A31/B20	Screw	4	—	C	
	51aV8061	Tray	1	—	—	
	51cV8061	Tray, top	1	—	—	
	51dV8061	Tray, lid, racking	1	—	—	
	16V6354	COVER, RESISTOR, GROUP	1	—		FA1/15
5X/4500068	4V8222	Cover, B.T.H. Rectifier	1	L72		FA1/16
	AS2791	Cover, Stud	10	—	C	FA1/17
	30V8222	Fairlead half	4	BS2966/3B		FA1/18
	1V17314	DIODE PLATE AND RELAY MOUNTING	1	—		
		GROUP (Mod. 2352)				
		Consisting of:—				
10CV/0372039	3V17314	Bracket, diode mounting	2	—		
	GJ/5M	Diode	2	—	C	
	863SS6065	Label	1	—		
	864SS6065	Label	1	—		
	870SS6065	Label	1	—		
28M/1278189	AGS2001/B1	Nut, stiff	2	—	C	
	2V17314	Plate, mounting	1	—		
	PLESSEY					
5CW/4400162	7CZ103739/2	Relay, type 2PDT	1	—		
28S/1200034	A31/B16	Screw, ch. hd.	4	—	C	
28W/9419465	SP13/B	Washer	2	—	C	
28W/9419474	SP15/B	Washer	2	—	C	

VULCAN Mk. 2

ELECTRICAL INSTALLATION
BOMB BAY

Ref. No.	Part No.	Description	No. off	Matl. Spec.	Cl. of St.	Plate and Illust'n No.
					M.R.	
		1 2 3 4				
		ELECTRICAL INSTALLATION IN BOMB BAY (V8222) (V11319) (Continued)				
	GJ5M	DIODE, VOLTAGE FEED PREVENTION BETWEEN NON-ESSENTIAL BUS-BARS FUSES IN BOMB BAY, GROUP (3V9851)	1 —	— —	—	
		Spares for:—				
	ENG. ELECTRIC					
10H/1043043	AS2.5	Fuse, 2.5 amp., type "S"	43	—	C	
10H/9718192	AS5	Fuse, 5 amp., type "S"	5	—	C	
10H/4307918	AS7.5	Fuse, 7.5 amp., type "S"	2	—	C	
10H/1043045	AS15	Fuse, 15 amp., type "S"	4	—	C	
10H/1043046	AS20	Fuse, 20 amp., type "S"	4	—	C	
	BRUSH					
10H/0590123	15 IIT	Fuse, 15 amp., size 2	3	—	C	
10H/0590124	20 IIT	Fuse, 20 amp., size 2	3	—	C	
10H/0590125	30 IIT	Fuse, 30 amp., size 2	17	—	C	
10H/0120061	40 IIT	Fuse, 40 amp., size 2	24	—	C	
10H/0119127	50 IIT	Fuse, 50 amp., size 2	12	—	C	
	ENG. ELECTRIC					
10H/0590111	—	Fuse, 3 amp., "End on"	22	—	C	
10H/0590112	—	Fuse, 5 amp., "End on"	11	—	C	
10H/0590113	—	Fuse, 7 amp., "End on"	30	—	C	
10H/0119925	—	Fuse, 10 amp., "End on"	3	—	C	
10H/0119926	—	Fuse, 15 amp., "End on"	3	—	C	
	2169V7729	Label (Mod. 2292)	—	—		
	3V6354	Ring, Packing, for Block Connector (Pre Mod. 2454)	4	—	C	FA1/19
	23V8222	Spacer	1	BS2996/3B		FA1/20
	24V8222	Spacer	3	BS2996/3B		FA1/21
	7V6354	Shield	4	—		FA1/22
		LIGHTING, GROUND SERVICE IN BOMB BAY (V9399)				
		Spares for:—				
	1562V7909	CABLE (F1562), No. 5 LAMP TO No. 11 LAMP, GROUP	1	—		
	1563V7909	CABLE (F1563), No. 7 LAMP TO No. 8 LAMP, GROUP	1	—		
	1109V7909	CABLE (F1109), No. 9 LAMP TO 21P, GROUP	1	—		
	1110V7909	CABLE (F1110), No. 4 LAMP TO 21P, GROUP	1	—		

ELECTRICAL INSTALLATION

BOMB BAY

Ref. No.	Part No.	Description	No. off	Matl. Spec.	Cl. of St.	Plate and Illust'n No.
					M.R.	
		1 2 3 4				
		LIGHTING, GROUND SERVICE IN BOMB BAY (V9399) (Continued)				
	1103V7909	CABLE (F1103), No. 9 LAMP TO No. 8 LAMP, GROUP	1	—		
	1104V7909	CABLE (F1104), No. 6 LAMP TO No. 7 LAMP, GROUP	1	—		
	1100V7909	CABLE (F1100), No. 10 LAMP TO No. 11 ... LAMP, GROUP	1	—		
	1101V7909	CABLE (F1101), No. 11 LAMP TO INSPECTION SOCKET, GROUP	1	—		
	1102V7909	CABLE (F1102), BETWEEN FWD. AND AFT . INSPECTION SOCKETS, GROUP	1	—		
	1105V7909	CABLE (F1105), No. 10 LAMP TO 21P, GROUP	1	—		
	1106V7909	CABLE (F1106), HYDRAULIC RESERVOIR ... LAMP TO 21P, GROUP	1	—		
	1107V7909	CABLE (F1107), No. LAMP TO 21P, GROUP	1	—		
	1111V7909	CABLE (F1111), No. 6 LAMP TO 21P, GROUP	1	—		
	1112V7909	CABLE (F1112), INSPECTION SOCKET TO No. 7 LAMP, GROUP	1	—		
	1099V7909	CABLE (F1099), No. 4 LAMP TO No. 5 LAMP, GROUP	1	—		
5CX/4330015	—	Domeglass	9	—	C	FA2/23
5L/9953278	—	Filament, 28V., 18W.	8	—	C	FA2/24
	1V6798	LAMPHOLDER, GROUP	5	—		FA2/25
		Consisting of:—				
	2V6798	Cable, unipren 6, 2" long	1	—		FA2/26
5CX/4330014	—	Lamp, cabin	1	—	C	FA2/27
22691	21V4650	LAMPHOLDER, GROUP	4	—	B	FA2/28
		Consisting of:—				
	21aV4650	Cable, unipren 6, 12" long	1	—		FA2/29
26FP/13930	135S3529	Grommet	1	—	C	FA2/30
5CX/4330014	—	Lamp, cabin	1	—	C	FA2/31
	—	Socket, inspection lamp	2	—		FA2/32
	33V8222	LINK, RECTIFIER, GROUP (Mod. 1073)	1	—		FA2/33
		Spares for:—				
10CV/0005100	A.E.I. LTD. GJ/3M	Rectifier	1	—	B	FA2/34

VULCAN ML. 2

ELECTRICAL INSTALLATION

BOMB BAY

Ref. No.	Part No.	Description	No. off	Matl. Spec.	Cl. of St.	Plate and Illust'n No.
					M.R.	
		1 2 3 4				
		ELECTRICAL INSTALLATION IN BOMB BAY (V8222 AND V11319) (Cont'd)				
	5V9770	PANEL, BOMB BAY RELAY 80P, GROUP (Pre Mod. 2170)	1			
	7V9770	PANEL, BOMB BAY RELAY 80P, GROUP (Mod. 2170)	1	—		FA2/35
	4V9770	Spares for:— COVER, panel (Mod. 1983)	1	—		FA2/36
	1V11612	LOOM, CABLE, GROUP	1	—		
1433230	2V9770	PANEL, LESS WIRING, GROUP	1	—	C	FA2/37
	PLESSEY					
5CW/4400161	7CZ/105411/1	Relay, 4 pole	4	—	A	FA2/38
	1V14098	Spacer	4	—	A	FA2/39
	1V9724	PANEL, TANKS RELAY 78P, GROUP (Mod. 526)	1	—		FA2/40
		Spares for:—				
5X/6200370	1V5650	Block, terminal	2	—	C	FA2/41
5X/7498	1V7870	Block, earthing	1	—	C	FA2/42
	4V/9724	Cover, panel	1	—		FA2/43
	1V11611	LOOM, CABLE, GROUP	1	—		
	2V9724	PANEL, LESS WIRING AND EQUIPMENT, .. GROUP	—	—		FA2/44
	PLESSEY					
5CW/4400162	7CZ/103739/1	Relay, 2 pole	2	—	A	FA2/45
	PLESSEY					
5CW/4400161	7CZ/105411/1	Relay, 4 pole	6	—	A	FA2/46
5X/4491487	14V5650	Socket, double	4	—	C	FA2/47
6A/6485	—	METER, FATIGUE, GROUP, BOMB ARCH 151.919 (Pre Mod. 2388)	1	—	A	FA2/47A
6A/1105619	—	METER, FATIGUE, GROUP, BOMB ARCH 151.919 (Mod. 2388)	1	—	A	FA2/47A
	1V17323	MOUNTING, T.B. MOUNTING PLATE, .. GROUP (Mod. 2352)	1	—		FA2/47A
		Spares for:—				
5X/6200370	1V5650	Block, terminal	1	—	C	
28D/9706373	A25/2A	Attachments for (1V5650):— Bolt, 6 BA	2	—	C	
	3V17314	Bracket, diode mounting	2	—		
28S/1200034	A31/B16	Attachments for (3V17314):— Screw, 4 BA	4	—	C	
	MULLARD					
	04.211	Diode	2	—		
	865SS6065	Label	1	—		
	866SS6065	Label	1	—		
	2165V7728	Label, T.B.	1	—		
	2V17323	Plate, mounting	1	—		
		Attachments for (2V17323):—				
28D/1007972	A25/ 1/2C	Bolt, 6 BA	4	—	C	
5X/4491488	15V5650	Socket, single	4	—	C	

ELECTRICAL INSTALLATION

BOMB BAY

Ref. No.	Part No.	Description	No. off	Matl. Spec.	Cl. of St.	Plate and Illust'n No.
					M.R.	
		1 2 3 4				
ELECTRICAL INSTALLATION IN BOMB BAY (V8222 AND V11319) (Cont'd)						
	1V17324	MOUNTING, PLATE SWITCH, GROUP (Mod. 2352)	1	—		FA2/47B
	2V17324	Spares for:— Plate, mounting	1	—		
28D/1007972	A25/ 1/2C	Attachments for (2V17324):—				
28M/1278190	AGS2001/C/1	Bolt, 2 BA	4	—	C	
		Nut, stiff, 2 BA	4	—	C	
5CW/1047693	CWC XD778	Switch	1	—	C	
	1V17454	MOUNTING, DIODE PLATE, GROUP (Mod. 2352)	1	—		FA2/47C
		Spares for:—				
10CV/0372039	A.E.I. GJ/5M	Diode	2	—	C	
	868SS6065	Label	1	—		
	869SS6065	Label	1	—		
	2V17454	Plate, mounting	1	—		
28M/1278189	AGS2001/B1	Attachments for (2V17454):—				
28S/1200034	A31/B16	Nut, stiff, 4 BA	2	—	C	
28W/9419474	SP15/B	Screw, 4 BA	2	—	C	
		Washer, 4 BA	2	—	C	
		MOUNTING, AMPLIFIER AND RELAY BOX, BOMB ARCH 108.687 (V:11319 Sht. 39) (Mod. 1509)	—	—		
		Spares for:—				
6A/4333081	SMITHS KA5	Amplifier (Mod. 2253)	1	—	A	FA2/48
6A/1141865	SMITHS BT22/33	BOX, cable connection (Mod. 2283)	1	—	A	FA2/49
	3V16111	BRACKET, MOUNTING, GROUP (Mod. 2283)	1	—	C	FA2/50
		Spares for:—				
1510503	8V16111	Bracket	1	—	C	
		Attachments for:— Bracket, Part No. 3V16111				
28D/1007982	AS1248/1C	Bolt, mush. head, 2 BA	7	—	C	
28W/9419475	SP15/C	Washer, 2 BA	3	—	C	

VULCAN Mk. 2

ELECTRICAL INSTALLATION

Page FA. 33B

BOMB BAY

Ref. No.	Part No.	Description	No. off	Matl. Spec.	Cl. of St.	Plate and Illust'n No.
					M.R.	
		1 2 3 4				
		MOUNTING MICRO SWITCH, BOMB DOORS OPEN, AFT, PORT AND STARBOARD (1 & 2V8372)				
22697	12V8372	Bracket, bottom	1	L72	MR	FA3/51
22698	15V8372	Bracket, long, port	1	L72	C	FA3/52
22695	16V8372	Bracket, long, starboard	1	L72	C	FA3/53
22696	13V8372	Bracket, short, port	1	L72	C	FA3/54
	14V8372	Bracket, short, starboard	1	L72	C	FA3/55
	18V8372	Pin, striking (Mod. 1580)	2	S80	MR	FA3/56
5CW/4400327	DOWTY C1831Y Mk. 101	Switch, sequence	2	—	A	FA3/57
		MOUNTING, MICRO SWITCH, BOMB DOORS, OPEN, FORWARD, PORT AND STARBOARD (1 & 2V8373)				
		Spares for:—				
22699	7V8373	Bracket, mounting, group	1	L72	C	FA3/58
22700	8V8373	Bracket, micro switch	1	L72	C	FA3/59
	9V8373	Bracket, micro switch	1	—	C	FA3/60
	18V8372	Pin, striking (Mod. 1580)	2	S80	MR	FA3/61
5CW/4400327	DOWTY C1831Y Mk. 101 11V8372	Switch, sequence	2	—	A	FA3/62
		Packing	1	L72		FA3/63
		MOUNTING, MICRO SWITCH, BOMB DOORS, CLOSED, FORWARD AND AFT (V6639) (V6866)				
		Spares for:—				
5CW/4742	4V6219	Block	1	L65	MR	FA3/64
	4V6640	Pin, striking	2	S80	MR	FA3/65
	DOWTY C1831Y GREAVES E483 A.E.I.	Switch, sequence	2	—	A	FA3/66
		Pack, power (Pre-Mod. 1744)	2	—		FA3/67
10CV/0005100	GJ/3M	Rectifier	2	—	B	FA1/68
10CV/0005101	GJ/5M	Rectifier (Mod. 1856)	2	—	B	FA1/69
5CW/4400161	PLESSEY 7CZ105411/1 PLESSEY	Relay	6	—	A	FA3/70
5CW/4400162	7CZ103739/1 BERCO	Relay	3	—	A	FA3/71
5CZ/4335636	RAH/KO	Resistor, 12 ohms., 20W.	1	—	C	FA1/72
5X/4491487	14V5650	Socket, double, for T.B's	9	—	C	FA3/73
5X/4491488	15V5650	Socket, single, for T.B's	122	—	C	FA3/74
5CW/4402888	ROTAX D6704	Switch, type 3Y, No. 2	1	—	A	FA3/75

VULCAN Mk. 2

ELECTRICAL INSTALLATION

Page FA. 35

BOMB BAY

Ref. No.	Part No.	Description	No. off	Matl. Spec.	Cl. of St.	Plate and Illust'n No.
					M.R.	
		1 2 3 4				
		STOWAGE, PLUG, FORWARD OF BOMB ARCH 243.172 (V8222 SHT.38) (Mod. 748)				
		Spares for:—				
	26B8222 PLESSEY	Angle, plug stowage mounting	1	L72		FA3/76
	CZ51538	Cap, protective	1	—	C	FA3/77
	15V8494	Cover, blanking	1	BSS2966/3B	C	FA3/78
	17V6850	Insulator	2	BSS2966/3B		FA3/79
	21V8222	Insulator	1	BSS2966/3B		FA3/80
	28V8222 PLESSEY	Plate, plug stowage mounting	1	—		FA3/81
10H/056730	CZ56733 PLESSEY	Plug, coupler	1	—	C	FA3/82
5X/4501288	Z25003	Shell, plug, size B	2	—	C	FA3/83
5X/4499717	Z27880	Shell, plug, size A	2	—	C	FA3/84
5Q/4348328	—	TRANSFORMER, CURRENT, GROUP	1	—	A	
		Spares for:—				
5Q/4348344	SANGAMO WESTON S117/1/97	Transformer, current (10 sets A/C only)	4	—	A	FA3/85
5Q/4348344	—	Transformer, current (Less 10 A/C sets)	4	—	A	FA3/86
		TROUGHING IN BOMB BAY, PORT, STARBOARD (1 & 2V8031) (For Breakdown See:—Fuselage—Centre Section)				
		UNITS, AMPLIFIER, CONTROL AND INTEGRATOR (V10452) (Mod. 1204) Consisting of:—				
6TB/4545619	101 JBU/2	Box, junction type "B" (Mod. 1692)	1	—	A	FA3/87
6TB/4545471	107 SUE/2	Pad, gearing, pre amp	2	—	A	FA3/88
6TB/4545472	108 SUE/2	Pad, gearing, flare	2	—	A	FA3/89
6TB/4545473	106 SUE/2	Pad, gearing, function	2	—	A	FA3/90
6TB/1831	109 SUE/2	Pad, gearing (Pre-Mod. 2011)	2	—	A	FA3/91
6TB/4545687	109 SUE/3	Pad, gearing (Pre-Mod. 2263)	2	—	A	FA3/93
6TB/4545474	101/MTG/1	Tray, mounting, type "A"	1	—	B	FA3/93
6TB/4545617	—	Unit, amplifier, type "C" (Pre-Mod. 2263) ...	2	—	A	FA3/94
6TB/1688	101/1 SUE	Unit, control, type "A" (Pre-Mod. 2012)	1	—	A	FA3/95
6TB/4545686	—	Unit, control, type "B" (Pre-Mod. 2263)	1	—	A	FA3/96
6TB/4545618	105/1 SUE	Unit, integrator, type "B" (Pre-Mod. 2263) ..	1	—	A	FA3/97

ELECTRICAL INSTALLATION

BOMB BAY

Ref. No.	Part No.	Description	No. off	Matl. Spec.	Cl. of St.	Plate and Illust'n No.
					M.R.	
		1 2 3 4				
	7V8282	UNIT, VOLTAGE TRIP, PORT, GROUP (Pre-Mod. 1744)	1	—		FA3/98
	8V8282	UNIT, VOLTAGE TRIP, STARBOARD GROUP (Pre-Mod. 1744)	1	—		FA3/99
5UC/4374849	ROTAX U520/1	Unit, Transformer, Rectifier (Mod. 956)	2	—	A	FA3/100
9306	1V9303	UNIT, TIME DELAY, GROUP (Pre-Mod. 2451) Consisting of:—	1	—	A	FA3/101
5960-99- 0372110 or 5960-99- 9133505	2S004	Transistor	1	—	C	
	—	Transistor	1	—	C	
17914	30V9303	UNIT, TIME DELAY, GROUP (Mod. 2451) Consisting of:—	1	—	A	
5K/9325192	NX3	Clip	1	—	C	
28M/9145394	A51/B	Nut	1	—	C	
28S/9132919	A41/B14	Screw	1	—	C	
5961-99- 0374675	BFY50	Transistor	1	—	C	
or 5961-99- 1183224	—	Transistor	1	—	C	
or 5961-99- 1184804	—	Transistor	1	—	C	
28W/9419474	SP15/B	Washer	1	—	C	
	18V9303	UNIT, TIME DELAY, GROUP, (Pre-Mod. 2451) Consisting of:—	1	—	MR	FA3/102
5960-99- 0372110 or 5960-99- 9133505	2S004	Transistor	1	—	C	
	—	Transistor	1	—	C	
17915	33V9303	UNIT, TIME DELAY, GROUP, (Mod. 2451) Consisting of:—	1	—	A	
5K/9325192	NX3	Clip	1	—	C	
28M/9145394	A51/B	Nut	1	—	C	
28S/9132919	A41/B14	Screw	1	—	C	
5961-99- 0374675	BFY50	Transistor	1	—	C	
or 5961-99- 1183224	—	Transistor	1	—	C	
or 5961-99- 1184804	—	Transistor	1	—	C	
28W/9419474	SP15/B	Washer	1	—	C	

VULCAN Mk. 2

ELECTRICAL INSTALLATION

Page FA. 36A

BOMB BAY

Ref. No.	Part No.	Description	No. off	Matl. Spec.	Cl. of St.	Plate and Illust'n No.
					M.R.	
	19V9303	UNIT, TIME DELAY, GROUP (Pre-Mod. 2451) Consisting of:—	1	—	MR	FA3/103
5960-99- 0372110 or 5960-99- 9133505	2S004	Transistor	1	—	C	
	—	Transistor	1	—	C	
17916	34V9303	UNIT, TIME DELAY, GROUP (Mod. 2451) Consisting of:—	1	—	A	
5K/9325192	NX3	Clip	1	—	C	
28M/9145394	A51/B	Nut	1	—	C	
28S/9132919	A41/B14	Screw	1	—	C	
5961-99- 0374675 or 5961-99- 1183224 or 5961-99- 1184804	BFY50	Transistor	1	—	C	
	—	Transistor	1	—	C	
	—	Transistor	1	—	C	

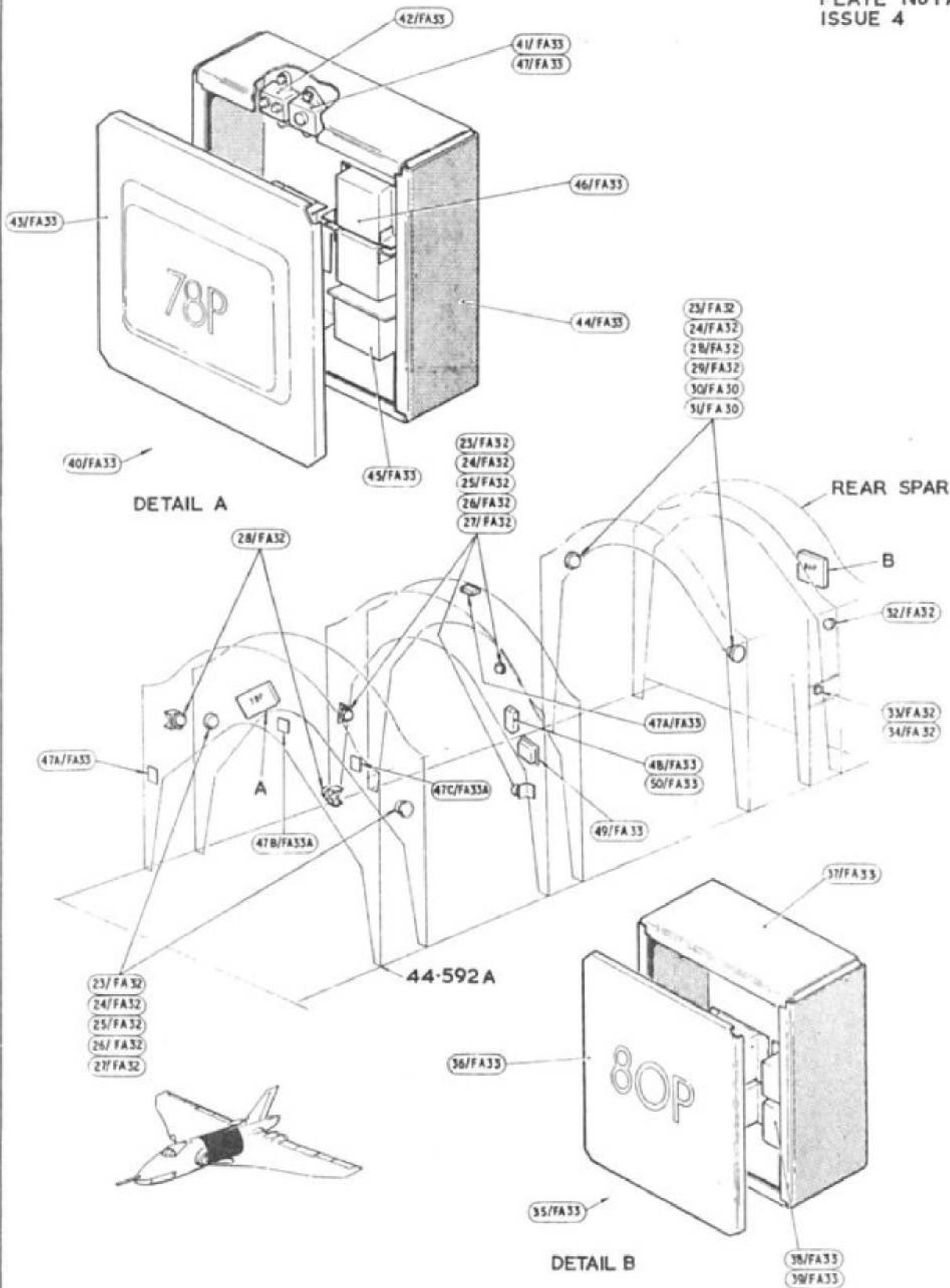
ELECTRICAL INSTALLATION

BOMB BAY

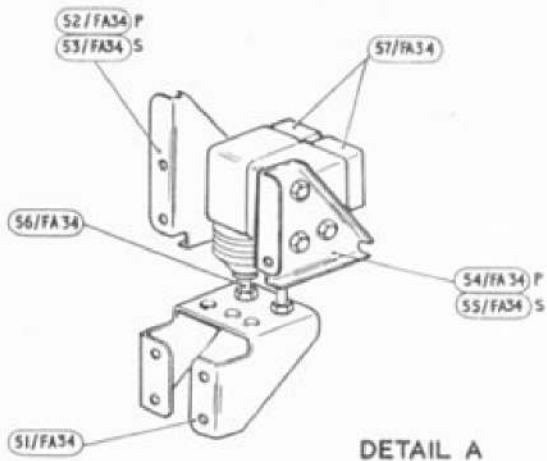
Ref. No.	Part No.	Description	No. off	Matl. Spec.	Cl. of St.	Plate and Illust'n No.
					M.R.	

ELECTRICAL INSTALLATION
SUMMARY OF STANDARD ITEMS

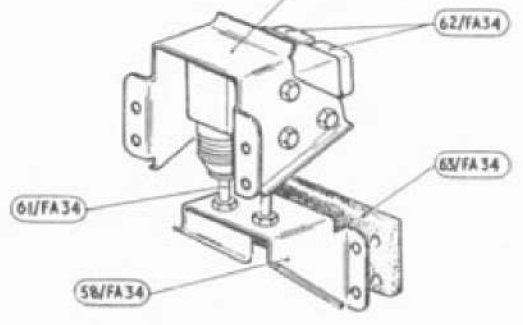
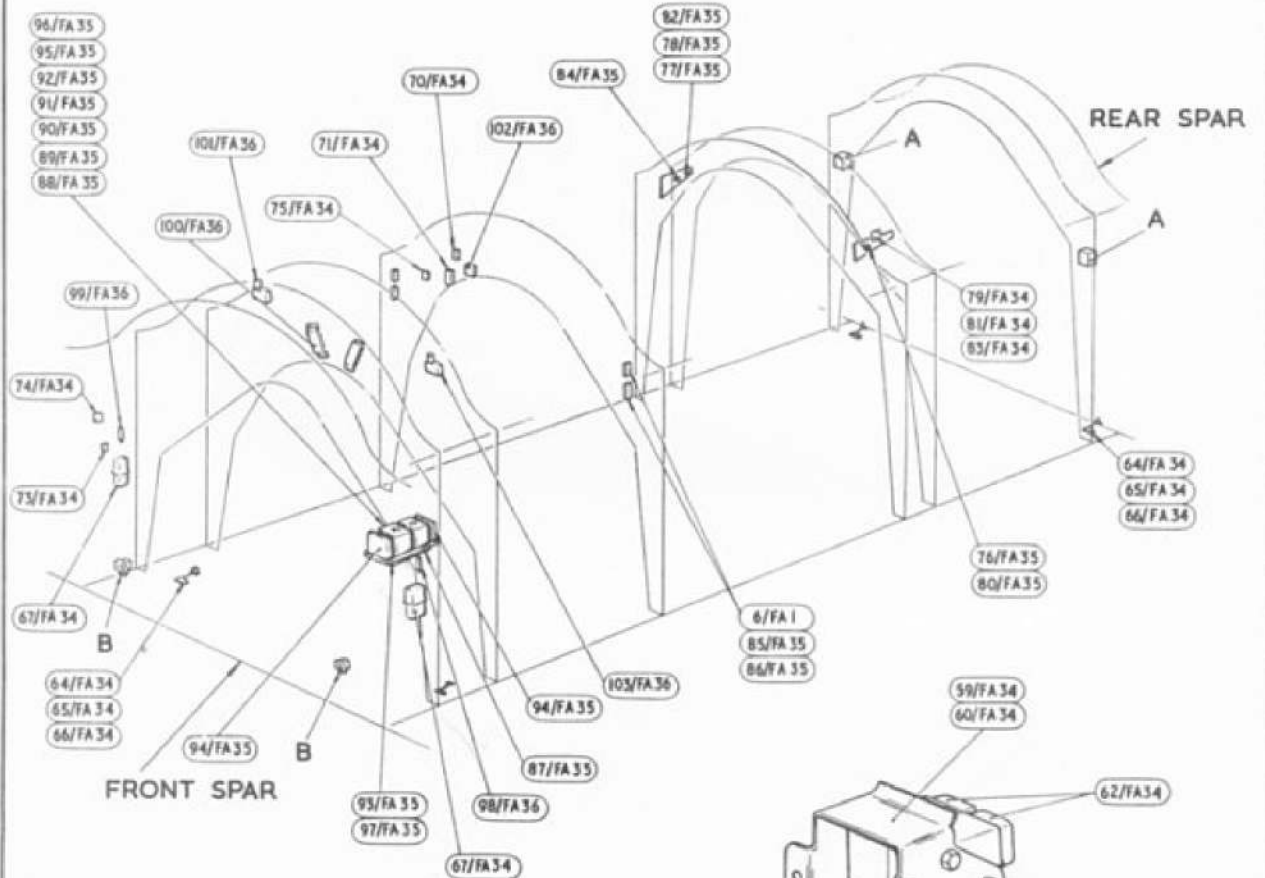
Stores Ref.		No. off	Stores Ref.		No. off	Stores Ref.		No. off
Section	Ref. No.		Section	Ref. No.		Section	Ref. No.	
28D	1008147	6	28S	1005622	13			
28D	1010658	17	28S	9140642	6			
28D	1010142	1	28S	9435912	9			
28D	1011013	7	28S	9437020	2			
28D	1212276	2	28S	9992997	18			
28D	9436920	43	28S	9435713	119			
28D	9133011	47	28S	9446549	1			
28D	9133012	20	28S	1006948	5			
28D	1010030	25	28S	9992533	10			
28D	9419397	5	28S	9992531	3			
28D	9133014	8	28S	1200066	10			
28D	9140647	4	28S	1214620	3			
28D	1011021	3	28S	1012356	12			
28D	9140649	18	28S	9473255	2			
28D	1212406	12						
28D	1212407	24						
28D	1008149	33	28W	9419446	121			
28D	1214876	2	28W	9419401	427			
28D	9008191	6	28W	9419454	242			
28D	1214878	6	28W	9419455	8			
28D	1214882	1	28W	9436805	3			
28D	9128739	4	28W	9419464	6			
			28W	9419465	18			
			28W	9419402	190			
28M	1006504	12	28W	9419403	6			
28M	1006473	2	28W	9419473	6			
28M	1278190	92	28W	9419486	17			
28M	10326	44	28W	1200073	26			
28M	1086618	268	28W	1206041	6			
28M	9434253	19						
28M	11957	41						
28M	9435066	1						
28M	9434251	38						
28M	9435067	10						
28M	9149459	8						
28S	9436892	4						
28S	1200049	14						
28S	1200044	6						
28S	9419437	7						
28S	1200041	6						
28S	9156769	2						
28S	9140641	2						
28S	1201448	1						
28S	9419435	3						
28S	9419453	16						
28S	1200034	34						
28S	1200036	90						
28S	1200040	85						
28S	1200033	18						



ELECTRICAL INSTALLATION
BOMB BAY
(2)



DETAIL A



DETAIL B

ELECTRICAL INSTALLATION
BOMB BAY
(3)

This file was downloaded
from the RTFM Library.

Link: www.scottbouch.com/rtfm

Please see site for usage terms,
and more aircraft documents.

