

VULCAN Mk. 2

ELECTRICAL INSTALLATION
CENTRAL PORTION—FUSELAGE

Page FB. 1

Ref. No.	Part No.	Description	No. off	Matl. Spec.	Cl. of St.	Plate and Illust'n No.
					M.R.	
		1 2 3 4				
		ELECTRICAL SERVICES FOR BOMB GEAR IN FUSELAGE CENTRE PORTION (V8494) (V11124)				
		Spares for:—				
	13V8494	Angle, clip mounting	1			
	4V6850	Angle	2			
	5V6358	Angle	6			
	10V6354	Angle	6			
5X/9015491	—	Adaptor, lug, 4-way	10	—	C	FB1/1
	—	Adaptor, plug, 2-way	1	—		FB1/2
		Amplifier, at former 151-919	1	—		FB1/3
5X/6200370	1V5650	Block, terminal	3	—	C	FB1/4
	17V6850	Block, insulator	2	BS.2966/38		
28E/4062106	AS4671	Bush	12		C	
	10V6099	BOX, JUNCTION 38J, GROUP	1	—		FB1/5
		(Mod. 748) (without Blue Steel)				
	16V6099	BOX, JUNCTION, 38J, GROUP	1	—		
		(Mod. 748) (with Blue Steel)				
5X/6200370	1V5650	Spares for:— Block, terminal	3	—	C	FB1/6
	7V6098	BOX, GROUP	1	—		FB1/7
	9V6098	BOX, GROUP (with Blue Steel)	1	—		
22839	11V6099	LID, 38J, GROUP	1	—	C	FB1/8
		Spares for:—				
28FP/1014631	A3/25	Fastener, Dzus	4	—	C	FB1/9
28FP/9434075	GA3/175	Grommet, Dzus	4	—	C	FB1/10
	553SS6065	Label (Mod. 2299)	1	—		
	554SS6065	Label (Mod. 2299)	1	—		
5X/4491488	15V5650	Socket, single	12	—	C	FB1/11
5X/4491487	14V5650	Socket, double	2	—	C	FB1/12
		BOX, RELAY UNIT (V9198)	—	—		FB1/13
		Spares for:—				
	4V9198	BOARD, RESISTOR MOUNTING, GROUP	1	—		FB1/14
		Spares for:—				
10W/0113300	PAINTON 393	Resistor, RWV4J	1	—	C	FB1/15
		Tag, terminal	2	—		FB1/16
	2V9198	BOX, LESS EQUIPMENT, GROUP	1	—		
		Spares for:—				
	7V9131	COVER, GROUP	1	—	MR	FB1/17
	1V9596	LOOM, CABLE, GROUP	1			
5CW/1050498	PLESSEY 7CZ/97225/4	Relay	1	—	A	FB1/18
	17V8494	Bracket, stowage	2	—		FB1/19
13106	18V6354	Bracket, mounting	1	—	C	FB1/20
	28V8494	Bracket, plug stowage	1	—		FB1/21
	26V8494	Bracket, plug stowage	1	—		FB1/22
	24V8494	Bracket, plug stowage	1	—		FB1/23
	16V6850	Bracket, stowage	1	—		FB1/24
	16V11124	Bracket, stowage (Mod. 2285)	1	L72		FB1/24A

ELECTRICAL INSTALLATION
CENTRE PORTION-FUSELAGE

Ref. No.	Part No.	Description	No. off	Mntl. Spec.	Cl. of	Plate and Illust'n No.
					St. M.R.	
		1 2 3 4				
	1189V7909	CABLE (F1189), FRONT SPAR BREAK 482, TO R.C.U., GROUP	1	-		
	1190V7909	CABLE (F1190), FRONT SPAR BREAK 483, TO R.C.U., GROUP	1	-		
	1083V7909	CABLE (F1083) R.C.U. TO 16P AND EARTH, GROUP	1	-		
	1027V7909	CABLE (F1027), REMOTE CONTROL UNIT TO 2J AND 65P, GROUP	1	-		
	406V7909	CABLE (F406), POWER UNIT TO RELAY .. UNIT, GROUP	1	-		
	516V7909	CABLE (F516), 20P TO BUTT CON- TROLLER FWD. CARRIER, GROUP	1	-		
	1527V7909	CABLE (F1527), 20P TO FWD. CARRIER .. GROUP	1	-		
	1528V7909	CABLE (F1528), 20P TO CENTRE CARRIER, GROUP	1	-		
	517V7909	CABLE (F517), 20P TO AFT CARRIER, GROUP	1	-		
	384V7909	CABLE (F384), AMPLIFIER TO 20P, GROUP	1	-		
	404V7909	CABLE (F404), 20P TO 65P, GROUP	1	-		
	396V7909	CABLE (F396), TYPE 12 BOMB DISTRIBUTOR TO PRE-SELECTOR, GROUP	1	-		
	397V7909	CABLE (F397), TYPE 12 BOMB DISTRIBUTOR TO PRE-SELECTOR, GROUP	1	-		
	398V7909	CABLE (F398), TYPE 12 BOMB DISTRIBUTOR TO PRE-SELECTOR, GROUP	1	-		
	399V7909	CABLE (F399), TYPE 12 BOMB DISTRIBUTOR TO PRE-SELECTOR, GROUP	1	-		
	1030V7909	CABLE (F1030), R.C.U. TO BOMB BAY BREAK, GROUP	1	-		
	389V7909	CABLE (F389), BOMB DISTRIBUTOR TYPE 12 TO 65P, GROUP	1	-		
	390V7909	CABLE (F390), BOMB DISTRIBUTOR TYPE 12 TO 65P, GROUP	1	-		
1433274	392V7909	CABLE (F392), BOMB DISTRIBUTOR TYPE 11 TO BOMB DISTRIBUTOR TYPE 12, GROUP	1	-	C	

ELECTRICAL INSTALLATION
CENTRE PORTION-FUSELAGE

Ref. No.	Part No.	Description	No. off	Matl. Spec.	Cl. of St.	Plate and Illust'n No.
					M.R.	
		1 2 3 4				
1433275	393V7909	CABLE, (F393) BOMB DISTRIBUTOR TYPE 11 TO BOMB DISTRIBUTOR TYPE 12, GROUP	1	-	C	
1433277	395V7909	CABLE, (F395) BOMB DISTRIBUTOR TYPE 11 TO BOMB DISTRIBUTOR TYPE 12, GROUP	1	-	C	
1433276	394V7909	CABLE, (F394) BOMB DISTRIBUTOR TYPE 11 TO BOMB DISTRIBUTOR TYPE 12, GROUP	1	-	C	
	388V7909	CABLE, (F388) BOMB DISTRIBUTOR TYPE 11 TO 65P, GROUP	1	-		
	405V7909	CABLE, (F405) PROTECTED RELAY TO ... 28P AND 65P, GROUP	1	-		
	385V7909	CABLE, (F385) PILOT SWITCH TO TB.895, . GROUP	1	-		
	391V7909	CABLE, (F391) TB.896 AT 65P TO EARTH, . GROUP	1	-		
	411V7909	CABLE, (F411) FWD. CARRIER No. 10 TO . 65P AND EARTH, GROUP	1	-		
	412V7909	CABLE, (F412) FWD. CARRIER TO 65P ... AND EARTH, GROUP	1	-		
	1028V7909	CABLE, (F1028) PORT CARRIER TO 16P .. AND 65P, GROUP	1	-		
	382V7909	CABLE, (F382) TB.634 TO TB.635, GROUP	1	-		
	371V7909	CABLE, (F371) TB.634 TO TB's 635 AND 876, GROUP	1	-		
	370V7909	CABLE, (F370) TB.634 TO TB's 635 AND 877, GROUP	1	-		
	379V7909	CABLE, (F379) AT TB.877, GROUP	1	-		
	376V7909	CABLE, (F376) AT TB.876, GROUP	1	-		
	1055V7909	CABLE, (F1055) R.C.U. TO BOMB BAY BREAK, GROUP	1	-		
	378V7909	CABLE, (F378) AT TB.876, GROUP	1	-		

ELECTRICAL INSTALLATION
CENTRE PORTION—FUSELAGE

Ref. No.	Part No.	Description	No. off	Matl. Spec.	Cl. of	Plate and Illust'n No.
					St. M.R.	
		1 2 3 4				
	1035V7909	CABLE, (F1035) R.C.U. TO BOMB BAY BREAK, GROUP	1	—		
	1036V7909	CABLE, (F1036) R.C.U. TO 65P, GROUP . . .	1	—		
	413V7909	CABLE, (F413) CENTRE CARRIER TO 65P AND EARTH, GROUP	1	—		
	1034V7909	CABLE, (F1034) R.C.U. TO BOMB BAY BREAK, GROUP	1	—		
	1031V7909	CABLE, (F1031) R.C.U. TO BOMB BAY BREAK, GROUP	1	—		
	1033V7909	CABLE, (F1033) R.C.U. TO BOMB BAY BREAK, GROUP	1	—		
	2232V7909	CABLE, (F2232) 65P TO BOMB GEAR EARTH, GROUP (Mod. 521)	1	—		
	2566V7909	CABLE, (F2566), GROUP (Pre-Mod. 748) . . .	1	—		
	2630V7909	CABLE, (F2630) FUSING CHARGING UNIT TO PROTECTED RELAY UNIT, GROUP (Mod. 533)	1	—		
	2835V7909	CABLE, (F2835) No. 1 FUSING UNIT, STBD. TO 38J AND EARTH, GROUP	1	—		
	2834V7909	CABLE, (F2834) No. 2 FUSING UNIT, STBD. TO 38J AND EARTH, GROUP	1	—		
	2836V7909	CABLE, (F2836) No. 2 FUSING UNIT, PORT TO 38J AND EARTH, GROUP	1	—		
	2837V7909	CABLE, (F2837) No. 1 FUSING UNIT, PORT TO 38J AND EARTH, GROUP	1	—		
	2963V7909	CABLE, (F2963) RELAY 547 TO EARTH, . . GROUP	1	—		
	2964V7909	CABLE, (F2964) RELAY 547 TO EARTH, . . GROUP	1	—		
	2965V7909	CABLE, (F2965) CENTRE PLUG 815 TO . . . 38J, GROUP	1	—		
	2966V7909	CABLE, (F2966) CENTRE PLUG 815 TO . . . 38J, GROUP	1	—		
	2631V7909	CABLE, (F2631) FUSING CHARGING UNIT TO 38J, GROUP (Mod. 533)	1	—		

VULCAN Mk. 2

ELECTRICAL INSTALLATION
CENTRE PORTION-FUSELAGE

Page FB. 5

Ref. No.	Part No.	Description	No. off	Mati. Spec.	Cl. of St.	Plate and Illust'n No.
					M.R.	
		1 2 3 4				
	2632V7909	CABLE (F2632), FUSING CHARGING UNIT TO 38J, GROUP (Mod. 533)	1	—		
	7883V7909	CABLE (F380), AT TB.877, GROUP	1	—		
	7599V7909	CABLE (F400), PRE SELECTOR TO 20P, ... GROUP	1	—		
	7560V7909	CABLE (F401), GROUP	1	—		
	7561V7909	CABLE (F402), GROUP	1	—		
	7426V7909	CABLE (F403), 65P TO 20P, GROUP	1	—		
	7527V7909	CABLE (F415), AFT CARRIER TO 65P AND EARTH, GROUP	1	—		
	7427V7909	CABLE (F1032), R.C.U. TO BOMB BAY BREAK, GROUP	1	—		
	7528V7909	CABLE (F2059), FRONT SPAR BREAK TO FUSE UNIT, GROUP	1	—		
	7541V7909	CABLE (F2060), FRONT SPAR BREAK TO BOMB DISTRIBUTOR TYPE 11, GROUP	1	—		
	2677V7909	CABLE (F2677), RELAY 544 TO EARTH, .. GROUP	1	—		
	8038V7909	CABLE (F3566), PROTECTED RELAY TO E.P. TEST SOCKET, GROUP	1	—		
	2670V7909	CABLE (F2670), E.O. TEST SOCKET TO 38J, GROUP	1	—		
	2812V7909	CABLE (F2812), F.S.B. 971 TO 27P, GROUP	1	—		
	2935V7909	CABLE (F2935), 93P TO 27P, GROUP	1	—	MR	
	3036V7909	CABLE (F3036), RELAY 574 TO EARTH, .. GROUP	1	—		
	8329V7909	CABLE (F3072), FRONT SPAR BREAK 868 TO 65P, GROUP	1	—		
	8543V7909	CABLE (F2936), 92P TO 58P, GROUP	1	—		
	4167V7909	CABLE (F4167), PLUG 896, BOMB BAY ... TO 65P, GROUP (Mod. 2285)	1	—		

ELECTRICAL INSTALLATION
CENTRE PORTION—FUSELAGE

Ref. No.	Part No.	Description	No. off	Matl. Spec.	Cl. of St.	Plate and Illust'n No.
					M.R.	
		1 2 3 4				
	3807V7909	CABLE (F3807), GROUP	1	—		
	3165V7909	CABLE (F3165), 19P TO RELAY 574,	1	—		
	3166V7909	CABLE (F3166), AT RELAY 574, GROUP ..	1	—		
	3167V7909	CABLE (F3167), RELAY 254 TO RELAY ...	1	—		
	3168V7909	CABLE (F3168), RELAY 259 TO	1	—		
	8573V7909	CABLE (F3039), PLUG 992 TO TB.1558, ...	1	—		
	3371V7909	CABLE (F3371), TB.1576 TO EARTH,	1	—		
	8712V7909	CABLE (F3037), HOIST TEST PLUG	1	—		
	8670V7909	CABLE (F3169), RELAY 259 TO RELAY ...	1	—		
	3039V7909	CABLE (F3039), GROUP	1	—		
	3113V7909	CABLE (F3113), GROUP	1	—		
	3170V7909	CABLE (F3170), GROUND SUPPLY	1	—		
	PLESSEY 508/1/03444/001	Cap, blanking (Mod. 2285)	3	—		
10H/0970056	PLESSEY CZ51539	CAP, protective	12	—	C	
10H/0970055	PLESSEY CZ.51538	CAP, protective	2	—	C	
10H/0970057	PLESSEY CZ.51540	CAP, protective	5	—	C	
5X/9997864	CANNON 2209/4	CAP, protective	1	—		
5X/9402099	CANNON 2209/10	CAP, protective	1	—		
5X/4500442	CANNON 2322/6	CAP, protective	3	—		
5X/5192400	CANNON 2322/7	CAP, protective	1	—		
5X/8535	CANNON 2322/8	CAP, protective	4	—		
	CANNON 2322/9	CAP, protective	1	—		
5X/9997860	CANNON 2322/10	CAP, protective	6	—		
	15V5887	Clamp (Mod. 553)	2	—		
	30V8494	Clamp, cable	1	—		
	11SS3970	Cleat	5	—		
						FB1/24A FB1/24B FB1/24C

VULCAN Mk. 2

ELECTRICAL INSTALLATION
CENTRE PORTION—FUSELAGE

Page FB. 7

Ref. No.	Part No.	Description	No. off	Matl. Spec.	Cl. of St.	Plate and Illust'n No.
					M.R.	
		ELECTRICAL SERVICES FOR BOMB GEAR IN FUSELAGE CENTRE PORTION (V8494) (11124) (Continued)				
		CONNECTORS BUTTING IN BOMB BAY (V7197)				
		Spares for:—				
10849	AT62599	CONNECTOR, BUTTING, 20-WAY AFT OF BOMB ARCHES 44.592" 151.919" AND 259.002", STARBOARD, GROUP	3	—	MR	FB1/25
	AT62615	CONNECTOR, BUTTING, 2-WAY AFT OF BOMB ARCHES 44.592" 151.919" AND 259.092", PORT, GROUP	3	—	B	FB1/26 FB1/27
		MOUNTING PLUG STOWAGE AT CENTRE BOMB STATION (5V9036)				
		Spares for:—				
	6V9036	PANEL, REMOVABLE, GROUP (Mod. 748)	1	—		FB1/28
10H/0560140	—	Plug	1	—	C	FB1/29
10H/0560541	—	Plug	1	—	C	
	CANNON 2182/10	Receptacle, dummy	2	—		FB1/30
5X/8044274	CANNON 2182/11	Receptacle, dummy	4	—		FB1/31
		MOUNTING, BOMB GEAR DISTRIBUTION PANEL, 20P (V6844)				
		Spares for:—				
	2V6331	PANEL, DISTRIBUTION, 20P (Pre-Mod. 2157)	1	—		FB1/32
	2V14869	PANEL, DISTRIBUTION, 20P (Mod. 2157)	1	—		
		Spares for:—				
5X/6200370	1V5650	Block, terminal	10	—	C	FB1/33
	791V6374	Label, TB.791	1	L59		
	792V6374	Label, TB.792	1	L59		
	793V6374	Label, TB.793	1	L59		
	794V6374	Label, TB.794	1	L59		
	795V6374	Label, TB.795	1	L59		
	796V6374	Label, TB.796	1	L59		
	797V6374	Label, TB.797	1	L59		
	798V6374	Label, TB.798	1	L59		
	799V6374	Label, TB.799	1	L59		
	800V6374	Label, TB.800	1	L59		
	3V6331	LID, GROUP	1	—		FB1/34
		Spares for:—				
28FP/9542167	A5/30	Fastener	6	—	C	FB1/35
28FP/9425771	GA5/312	Grommet	6	—	C	FB1/36
	1V14870	LOOM, CABLE, GROUP (Mod. 2157)	1	—		
	1V14861	PANEL, LESS EQUIPMENT, GROUP (Mod. 2157)	1	—		
5CW/1057583	—	Switch, magnetic relay, type 20B, No. 3 (Mod. 2157)	1	—	A	FB1/37
5X/4491487	14V5650	Socket, double	12	—	C	FB1/38
5X/4491488	15V5650	Socket, single	26	—	C	FB1/39
	—	Plug, on bomb arch 95.967	4	—		FB1/40

ELECTRICAL INSTALLATION
CENTRE PORTION - FUSELAGE

Ref. No.	Part No.	Description	No. off	Matl. Spec.	Cl. of St.	Plate and Illust'n No.
					M.R.	
		1 2 3 4				
		ELECTRICAL SERVICES FOR BOMB GEAR IN FUSELAGE CENTRE PORTION (V8494) (11124) (Cont'd)				
	12V8494	PLUG AT FRONT SPAR, GROUP	1			FB1 41
		Consisting of: -				
5E/9467424	11V8494	Cover, dust	1	BSS972		
	10V8394	Link, cable, unipren 6 x 1" long	1		C	
10H/0970065	PLESSEY CZ49182	Outlet	1		C	
10H/0560760	PLESSEY CZ56735	Plug, stowage	1		C	FB1 42
10H/1123441	CANNON CA2182/5	Receptacle, dummy	3			FB1 43
	CANNON CA2182/6	Receptacle, dummy	1			FB1 43A
	CANNON CA2182/7	Receptacle, dummy	1			FB1 43B
	CANNON CA2182/18	Receptacle, dummy	1			FB1 43B
5CW/4405591		Relay, Type "T", No. 1	1		B	FB1 44
5CW/9499152		Relay, Type 10B, No. 1	1		B	FB1 45
5CW/4400161	PLESSEY 7CZ/105411/1	Relay	1		A	FB1 46
	18SS395	Rod, screwed, for vertical cleats	10			FB1 47
22836	2V6850	Shield, nut	10		C	FB1 47A
	18V6850	Spacer	2			FB1 47B
5X/4491488	15V5650	Socket, single	9		C	
	10SS4294	Strip, cable	86		MR	
	AS2809/5/260	Tube, distance	10			
	ISS4088	Terminal, earth	4		MR	FB1 48
		Tray, mounting amplifier	1			FB1 47
		MOUNTING ELECTRICAL EQUIPMENT ON AFT FACE OF FRONT SPAR (V8604)				
		Spares for: -				
5CZ/4335567	TEDDINGTON FLM/A/14	Amplifier, magnetic	1		A	FB2 50
	5H/5	Block, terminal (E.L.)	2			
		BOX, JUNCTION J1 AND J2 (3 AND 4V6349)				
		Spares for: -				
5X/6200370	1V5650	Block, terminal	21		C	FB2 52
5X/4491769	1V7870	Block, earthing	1		C	FB2 53
	15V6350	BOX, JUNCTION 1J, GROUP	1			FB2 54
9636	16V6350	BOX, JUNCTION 2J, GROUP	1		C	FB2 55
		Spares for: -				
4263	4V6350	COVER, BOX, GROUP	1		C	
		Spares for: -				
	541SS6065	Label (Mod. 2299)	1			
	553SS6065	Label (Mod. 2299)	1			
28FP/9144248	A4/25	Fastener, Dzus	6		C	FB2 56
28FP/9430916	S4/200	Spring, Dzus	6		C	FB2 52
	B.T.H.					
10CV/0005101	GJ5M	Rectifier	3		B	FB2 58

VULCAN MK. 2

ELECTRICAL INSTALLATION
CENTRE PORTION—FUSELAGE

Page FB. 9

Ref. No.	Part No.	Description	No. off	Matl. Spec.	Cl. of St.	Plate and Illust'n No.
					M.R.	
		1 2 3 4				
MOUNTING, ELECTRICAL EQUIPMENT ON AFT FACE OF FRONT SPAR (V8604) (Cont'd)						
	1V9139	BOX JUNCTION 10J, GROUP	1	—		FB2/59
5X/6200370	1V5650	Spares for:— Block, terminal	5	—	A	FB2/60
7645	3V9139	COVER, 10 J, GROUP	1	—	C	FB2/61
		Spares for:—				
5K/4345989	HELLERMANN HV3112	Grommet, sealing, 7-way	3	—	C	FB2/62
5K/4345990	HELLERMANN HV3113	Grommet, sealing, 14-way	1	—	C	FB2/63
5K/4345991	HELLERMANN HV3114	Grommet, sealing, 26-way	1	—	C	FB2/64
5X/4491487	14V5650	Socket, double	2	—	C	FB2/65
5X/4491498	15V5650	Socket, single	23	—	C	FB2/66
	5H/11	Cover	2	—		FB2/67
	—	Distributor, bomb, type 1	1	—		FB2/68
5D/4341044	—	Distributor, bomb, type 12	1	—	A	FB2/69
MOUNTING, BOMB-BAY FIRE EXTINGUISHERS DISCHARGE INDICATORS (V13650) (Mod. 2009)						
	2V13650	Spares for:— BRACKET, MOUNTING, GROUP	1	—		FB2/70
5920-99-4526534	—	Fuseholder	2	—	C	FB2/71
5920-99-4526578	—	Fuse, indicator	2	—	C	FB2/72
		PANEL, EXPLOSION SUPPRESSOR	—	—		FB2/73
		RELAY, 76P (V9158) (Pre-Mod. 1744)				
		Spares for:—				
5X/6200370	1V5650	Block, terminal	1	—	C	FB2/74
	3V9158	BOARD, RESISTOR, GROUP	1	—	C	FB2/75
		Spares for:—				
10W/0216129	—	Resistor, RCS.112/2 120K	2	—	C	FB2/76
7646	5V9158	BOX, MOULDED, GROUP	1	—	B	
		Spares for:—				
7647	6V7450	COVER, BOX, GROUP	1	—	C	FB2/77
	2V9158	BRACKET, MOUNTING, RELAY, GROUP	1	L72		FB2/78
		Spares for:—				
5CW/4400265	HART MANUF'G CO. R210/C3/P1	Relay	2	—	A	FB2/79
5CW/5191808	HART MANUF'G CO R/101/P/S	Socket, ceramic	2	—	B	FB2/80
	1V9157	LOOM, CABLE, GROUP	1	—		
5X/4491488	15V5650	Socket, single	4	—	C	
5K/1058171	SP40/A12	Grommet	2	—	C	

ELECTRICAL INSTALLATION
CENTRE PORTION—FUSELAGE

Ref. No.	Part No.	Description	No. off	Matl. Spec.	Cl. of St.	Plate and Illust'n No.
					M.R.	
		1 2 3 4				
		MOUNTING, ELECTRICAL EQUIPMENT ON AFT FACE OF FRONT SPAR (VB604) (Cont'd.)				
		PANEL, 43P, BOMB BAY HEATING (4V8786)	—	—		GB2/81
5X/6200370	1V5650	Spares for:— Block, terminal	3	—	C	FB2/82
2822	8V6335	COVER, PANEL, GROUP	1	—	B	FB2/83
		Spares for:—				
28FP/9144248	A4-25	Fastener	6	—	C	FB2/84
28FP/9430915	GA4-250	Grommet	6	—	C	FB2/85
	1V8090	LOOM, CABLE, GROUP	1	—		
	1V13897	(Pre-Mod. 2074)				
	8V7687	LOOM, CABLE, GROUP (Mod. 2074)	1	—		
	PLESSEY	PANEL, GROUP	1	—		
5CW/4400162	7CZ/103739/1	Relay, type CH/2CO/28/10	2	—	A	FB2/86
	PLESSEY					
5CW/4400161	7CZ/105411/1	Relay, type CH/4CO/28/10	3	—	A	FB2/87
	10V5857	RETAINER, VALVE, GROUP	1	—	MR	FB2/88
		Spares for:—				
	10bV5857	Retainer, valve	1	—		FB2/89
	TERRY & SONS					
	EX5	Spring, extension	2	—		
	10aV5857	Stud, special	1	—		
	SUNVIC					
	CONTROLS					
	LTD.					
5CW/4400081	601/V	Switch, hot wire vacuum	1	—	A	FB2/90
		PANEL, MOUNTING RELAY (V9473)	—	—	A	FB2/91
		Spares for:—				
5CW/4400162	PLESSEY 7CZ/103739/1	Relay	2	—	A	FB2/92
	PLESSEY					
5CW/4400161	7CZ/105411/1	Relay	1	—	A	FB2/93
		PANEL, BOMB GEAR, TB.65P (V8180)	—	—		FB2/94
		Spares for:—				
	1V8283	LOOM, CABLE, GROUP	1	—		
	6V8180	PANEL, LESS WIRING, GROUP	1	—		
		Spares for:—				
5X/6200370	1V5650	Block, terminal	7	—	C	FB2/95
5X/4491775	1V7871	Block, terminal and cover	1	—	C	FB2/96
	2V8180	COVER, PANEL, GROUP	1	—	MR	FB2/97
		Spares for:—				
28FP/9144248	DZUS A4-25	Fastener, Dzus	4	—	C	FB2/98
28FP/9430915	GA4250	Grommet	4	—	C	FB2/99
	541SS6065	Label (Mod. 2299)	1	—		
	553SS6065	Label (Mod. 2299)	1	—		

VULCAN Mk 2

ELECTRICAL INSTALLATION
CENTRE PORTION—FUSELAGE

Page FB. 11

Ref. No.	Part No.	Description	No. off	Matl. Spec.	Cl. of St.	Plate and illust'n No.
					M.R.	
		1 2 3 4				
		PANEL, BOMB GEAR TB.65P (V8180)				
		(Cont'd.)				
	894V7728	Label, "TB.894"	1	—		
	895V7728	Label, "TB.895"	1	—		
	896V7728	Label, "TB.896"	1	—		
	897V7728	Label, "TB.897"	1	—		
	898V7728	Label, "TB.898"	1	—		
	899V7728	Label, "TB.899"	1	—		
	900V7728	Label, "TB.900"	1	—		
	901V7728	Label, "TB.901"	1	—		
	1V8181	PANEL, GROUP	1	—		
	B.T.H.					
10CV/ 0005100	GJ3M	Rectifier	1	—	B	FB2/100
	PLESSEY					
5CW/1051607	7CZ/97225/4	Relay	1	—	A	FB2/101
5X/4491488	15V5650	Socket	7	—	B	FB2/102
	—	PANEL, DISTRIBUTOR, 27P AND 28P	—	—		FB4/103
		(1 & 2V7713)				
		Spares for:—				
5X/6200370	1V5650	Block, terminal	6	—	A	FB4/104
5X/4491769	1V7870	Block, terminal	2	—	C	FB4/105
5X/4500051	—	Block, fuse, 12-way	4	—	C	FB4/106
5X/4491775	1V7871	Block, terminal	2	—	C	FB4/107
	1V7715	BOARD, FUSE, 27P, RED, GROUP	1	—		FB4/108
	2V7715	BOARD, FUSE, 27P, YELLOW, GROUP ...	1	—		FB4/109
	3V7715	BOARD, FUSE, 27P, BLUE, GROUP	1	—		FB4/110
	11V7715	BOARD, FUSE, 28P, RED, GROUP	1	—		FB4/111
	12V7715	BOARD, FUSE, 28P, YELLOW, GROUP ...	1	—		FB4/112
	13V7715	BOARD, FUSE, 28P, BLUE, GROUP	1	—		FB4/113
		Spares for:—				
7642	5V7715	Busbar	1	BSS899	C	FB4/114
	6V7715	Busbar	1	—		FB4/115
	INSULOID					
7643	PROD. No. 1	Capnut	14	—	C	FB4/116
	ENG & LIGHT					
10H/21788	2444A	End, fuse carrier	12	—	C	FB4/117
	14V7357	Holder, fuse	14	—	MR	FB4/118
	15V7357	Pedestal	1	BSS899	MR	FB4/119
	10V7713	BRACKET, LAMPHOLDER, P27, GROUP ..	1	—		FB4/120
	11V7713	BRACKET, LAMPHOLDER, P28, GROUP ..	1	—		FB4/121
	41SS4204	Bush, ringlock	2	—		FB4/122
	61SS4204	Bush, ringlock	3	—	MR	FB4/123
	71SS4204	Bush, ringlock	8	—		FB4/124
28E/4062106	AS4671	Bush	2	—		FB4/125
28E/9995932	AS4580/4	Clip	2	—		

ELECTRICAL INSTALLATION
CENTRE PORTION—FUSELAGE

Ref. No.	Part No.	Description	No. off	Matl. Spec.	Cl. of St.	Plate and Illust'n No.
					M.R.	
		1 2 3 4				
		PANEL DISTRIBUTOR, 27P AND 28P (1 & 2V7713) (Cont'd.)				
5CW/4405079	—	Contactor, type D6703, 3 phase	1	—	A	FB4/126
5CW/4402888	—	Contactor, type D6704, for P28 only	1	—	A	FB4/127
	—	Contactor, type D6704, for P27 only	2	—	A	FB4/128
7637	1V7716	COVER, PANEL, 27P, GROUP	1	—	C	FB4/129
7638	2V7716	COVER, PANEL, 28P, GROUP	1	—	C	FB4/130
		Spares for:—				
28FP/4062413	A5-50	Fastener, Dzus	8	—	C	FB4/131
28FP/9438813	AW5-30	Fastener, Dzus, for P28 only	2	—	C	FB4/132
28FP/9425771	GA5-312	Grommet, Dzus	8	—	C	FB4/133
	541SS6065	Label (Mod. 2299)	1	—		
	553SS6065	Label (Mod. 2299)	1	—		
	HIVAC					
	CC10L	Filament	2	—		FB4/134
	4V7713	Insulator, fibreglass	1	—		
	5V7713	Insulator, large base, fibreglass	1	—		
	13V7713	Insulator, small base, fibreglass	1	—		
	18bV8032	Lampholder, make from 5C/1556	2	—		FB4/135
5X/1059338	—	Link, commoning	2	—	C	
5X/4500063	—	Link, commoning	2	—	C	
5X/1059340	—	Link, commoning	4	—	C	
	1V12585	LOOM, CABLE, 27P, GROUP	1	—		
		(Mod. 1800)				
	1V12586	LOOM, CABLE, 28P, GROUP	1	—		
		(Mod. 1800)				
	12V7713	MOUNTING, RESISTANCE, GROUP	1	—		FB4/136
		Spares for:—				
	12aV7713	Board, base	1	—		FB4/137
	WELWYN					
10W/0216096	—	Resistor, 62K Ω	2	—	C	FB4/138
	ROSS COURTNEY 397					
		Tag, Terminal	2	—		
	B.T.H. GJ3M					
10CV/ 0005100		Rectifier	1	—	B	FB4/139
	PLESSEY					
5CW/4400161	7CZ/105411/2	Relay, 4 pole, P27 only	6	—	A	FB4/140
5CW/4400161	7CZ/105411/2	Relay, 4 pole, P28 only	7	—	A	FB4/141
12164	7V7713	Spacer	18	—	C	
5X/4491487	14V5650	Socket, double	4	—	B	FB4/142
5X/4491488	15V5650	Socket, single	24	—	B	FB4/143
5CW/4405677	—	Switch, magnetic, type 16B, No. 1	1	—	A	FB4/144
	SMITHS					
5CW/5907	EAP2340	Switch, torque	1	—	A	FB4/145
	SMITHS					
	213MV	Transformer, auto 115/26V	2	—		FB4/146

VULCAN Mk. 2

ELECTRICAL INSTALLATION
CENTRE PORTION—FUSELAGE

Page FB. 13

Ref. No.	Part No.	Description	No. off	Matl. Spec.	Cl. of St.	Plate and Illust'n No.
					M.R.	
		1 2 3 4				
		MOUNTING, ELECTRICAL EQUIPMENT ON AFT OF FRONT SPAR (V8604) (Continued)				
		PLATE, MOUNTING, TERMINAL BLOCK, PORT AND STARBOARD (1 & 2V9581)	—	—		FB2/147
		Spares for:—				
5X/6200370	1V5650	Block, terminal	6	—	C	FB2/148
5X/4491487	14V5650	Socket, double	30	—	C	FB2/149
5X/4491488	15V5650	Socket, single	30	—	C	FB2/150
5D/1987615	—	Pre-Selector, type "C"	1	—	A	FB2/151
	5H/17	Socket, single	2	—		FB2/152
	—	Tray, AV mounting	1	—		FB2/153
5D/4341023	—	Tray, AV mounting	1	—	B	FB2/154
	FERRANTI					
5UB/4342575	RD5678	Transformer (EL)	2	—	A	FB2/156
		PANEL, ARTIFICIAL FEEL FAILURE WARNING, 66P AND AIRSPEED TRANSMITTERS (V9041)	—	—		FB3/157
		Spares for:—				
	16V6622	Bush	9	—	MR	FB3/158
	1V9038	Cover	1	—		FB3/159
	1V8783	PANEL, ARTIFICIAL FEEL FAILURE WARNING, GROUP	1	—		FB3/160
		Spares for:—				
	2V8783	BACKPLATE, PANEL, GROUP	1	—		FB3/161
	12V6161	Bolt, special	6	—	MR	FB3/162
	5V6080	Bush, rubber	12	—	MR	FB3/163
4645	22SS4204	Bush	2	—	C	FB3/164
	23SS4204	Bush	1	—	MR	FB3/165
	4V8783	Plate, cable support (Mod. 1073)	1	—		FB3/166
		PANEL, BOTTOM HALF AND INSTRUMENT (V9037)	—	—		FB3/167
		Spares for:—				
	4V9037	BAR, TERMINAL, GROUP	1	—	MR	FB3/168
11A/4487060	AT36932	Block, terminal, 7-way	3	—	C	FB3/169
	62SS4204	Bush	1	—		FB3/170
4645	22SS4204	Bush	1	—	C	FB3/171
	DIAMOND "H"					
5CW/5191808	R101/PS	Holder, relay	6	—	B	FB3/172
	COLVERN LTD.					
6403	N602	Locknut, for spindle	9	—	C	FB3/173
	COLVERN LTD.					
10AS/0970231	RC0223	Lock, potentiometer	9	—	A	FB3/174
	1V13415	LOOM, CABLE, GROUP	1	—		

ELECTRICAL INSTALLATION
CENTRE PORTION—FUSELAGE

Ref. No.	Part No.	Description	No. off	Matl. Spec.	Cl. of St.	Plate and Illust'n No.
					M.R.	
		1 2 3 4				
PANEL BOTTOM HALF AND INSTRUMENTS (V9037) (Continued)						
5905-99-0117487	1V9040	PANEL, LESS INSTRUMENTS, GROUP .	1	—		
	RVW13 COLVERN CLR/1501/263 B.T.H. LTD. GJ3M	Potentiometer, 2—250 ohms	6	—	C	FB3/175
10CV/0005100	DIAMOND H R210/C3P/1	Potentiometer, 0—10,000 ohms	3	—		FB3/176
		Rectifier	3	—	B	FB3/177
5CW/4400265	2V9037	Relay	6	—	B	FB3/178
10W/0113336	LABGEAR LTD. —	RESISTOR, GROUP	1	—		FB3/179
	BULGIN LTD. C125	Spares for:— Resistor, 5.7Ω	6	—	C	FB3/180
	—	Tagboard	1	—		FB3/181
5CW/5060	—	Shroud	3	—	C	FB3/182
5CW/6362390	—	Switch, button	3	—	B	FB3/183
5CW/4400149	SANGAMO WESTON LTD. S54/1/568 10V8400	Relay, moving coil	3	—	A	FB3/184
	—	Washer, special	6	—	MR	
6A/4338501 6A/4338295 6A/433820	PLESSEY 508/1/7056/320	Socket (Mod. 2285)	1	—		FB1/24B
	508/1/7056/321	Socket (Mod. 2285)	1	—		FB1/24C
	508/1/7056/322	Socket (Mod. 2285)	1	—		FB1/24D
	17V6622	Spacer	9	—	MR	FB3/185
	SMITHS 1081PG	Transmitter, for aileron	1	—	A	FB3/186
	102PG	Transmitter, for elevator	1	—	A	FB3/187
728PG	Transmitter, for rudder	1	—	A	FB3/188	
UNIT, ELECTRICAL, FOR ARTIFICIAL FEEL UNITS, AILERON ELEVATOR AND RUDDER (21, 22 & 23V8400 OR 24V8400)			—	—		FB3/190
Spares for:—						
18V6622	Angle, attachment	1	—			FB3/191
25R3659	Block, mounting, plug on aileron and Elevator units	1	—	DTD130	MR	FB3/192
22R3659	Bolt, special	2	—			FB3/193
5V6080	Bush	1	—	Rubber	MR	FB3/194
16V6622	Bush	3	—	Rubber	MR	FB3/195
8V6622	BRACKET, POTENTIOMETER BOTTOM, GROUP	1	—			FB3/196
9V6622	BRACKET, POTENTIOMETER TOP, GROUP	1	—			FB3/197
26V8400	Bracket	1	—			

VULCAN Mk. 2

ELECTRICAL INSTALLATION
CENTRE PORTION—FUSELAGE

Page FB. 15

Ref. No.	Part No.	Description	No. off	Matl. Spec.	Cl. of	Plate and Illust'n No.
					St. M.R.	
		1 2 3 4				
		UNIT, ELECTRICAL, FOR ARTIFICIAL FEEL UNIT, AILERON, ELEVATOR AND RUDDER (21, 22 & 23V8400 or 24V8400) (Continued)	—	—		
	4V6848	CONTAINER, AILERON UNIT, GROUP	1	—		FB3/198
	1V9869	CONTAINER, ELEVATOR, GROUP	1	—		FB3/199
	2V9869	CONTAINER, RUDDER, GROUP	1	—		FB3/200
10H/0590109	ENGLISH ELECT. — HART MANUF'G	Fuse, HRC, 4 amp.	1	—	C	FB3/201
5CW/5191808	R101/PS BELLING LEE	Holder, relay	2	—	B	FB3/202
	L1382	Holder, fuse, sealed panel	1	—		FB3/203
	61BSS6004	Label, "fuse 1008," for aileron	1	—		
	619SS6004	Label, "fuse 1009," for elevator	1	—		
	620SS6004	Label, "fuse 1010," for rudder	1	—		
6403	COLVERN LTD. N602	Locknut, for spindle	1	—	C	
	1V13100	LOOM, CABLE, FOR AILERON AND RUDDER, GROUP (Mod. 2075)	1	—		
	1V13101	LOOM, CABLE, FOR ELEVATOR, GROUP	1	—		
	1V13400	LOOM, CABLE, FOR ELEVATOR, GROUP (Mod. 2075)	1	—		
	25V8400	PANEL, MOUNTING CONDENSER, GROUP (Mod. 2075)	1	—		
		Spares for:—				
10C/0115572	—	Capacitor	4	—	C	FB3/204
10W/0113465	—	Resistor	2	—	C	FB3/205
10W/0117894	—	Resistor	2	—	C	FB3/206
	COLVERN LTD. —	Potentiometer (p—230 ohms)	2	—	C	FB3/207
10W/9490	COLVERN LTD. CLR.1232/268	Potentiometer, 2,500 ohms (Mod. 2206)	1	—	C	FB3/208
	4V6622	PLATE, COVER, BOTTOM, GROUP	1	—	MR	FB3/209
5CW/4400149	SANGAMO WESTON S54/568	Relay, moving coil	1	—	A	FB3/210
5CW/4400265	HART MANUF'G R210/C3P/1	Relay	2	—		FB3/211
10W/0119851	—	Resistor, 10,000 Ω	1	—	C	FB3/212
	—	Spindle, cock	3	—		FB3/213
6A/4338501	SMITHS 1081PG SMITHS	Transmitter, A.S.I., for aileron	1	—	A	FB3/214
6A/4338295	SMITHS 1082PG SMITHS	Transmitter, A.S.I., for elevator	1	—	A	FB3/215
6A/4333820	SMITHS 728PG or DSS800	Transmitter, A.S.I., for rudder	1	—	A	FB3/216

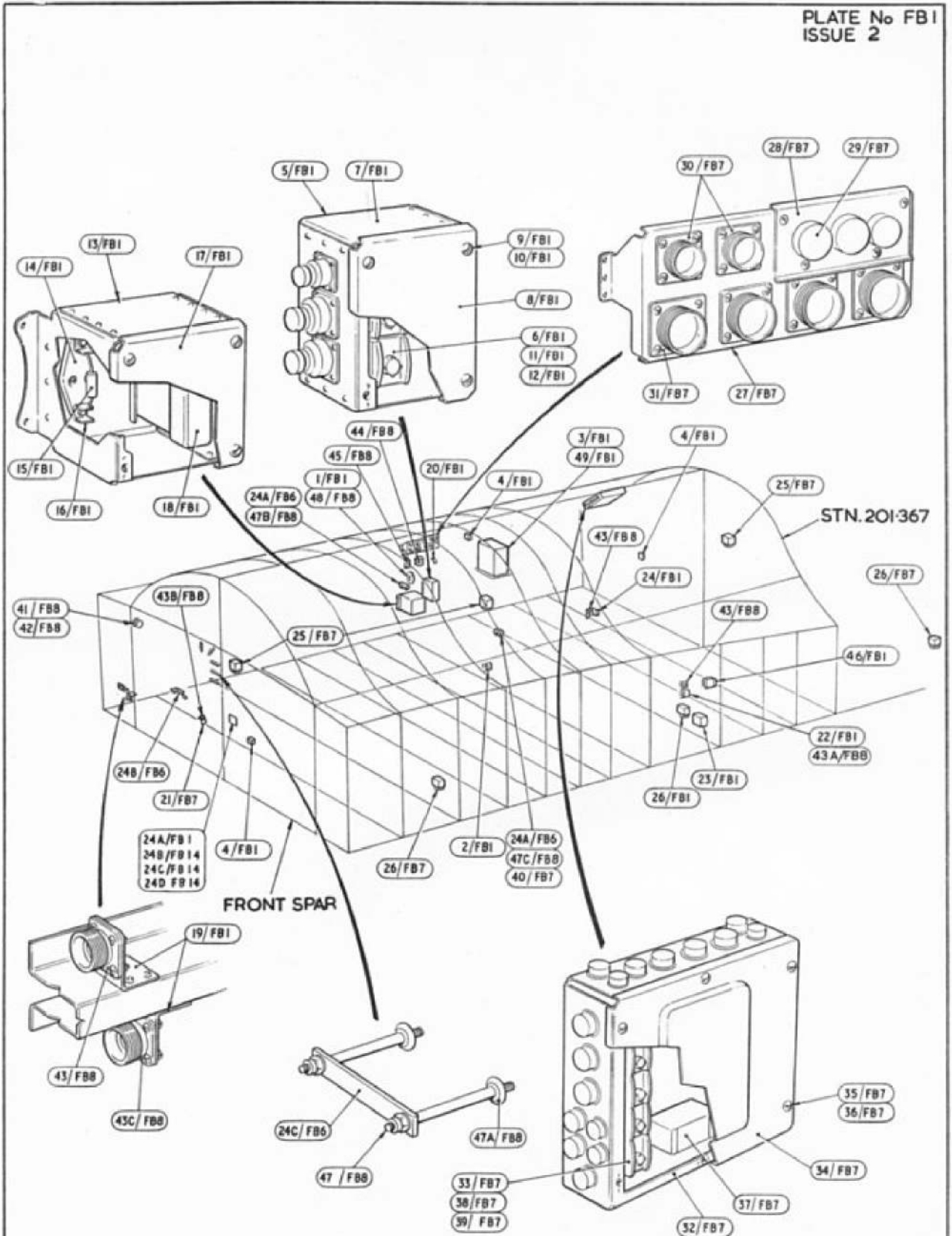
VULCAN Mk 2

ELECTRICAL INSTALLATION

Page FB.17

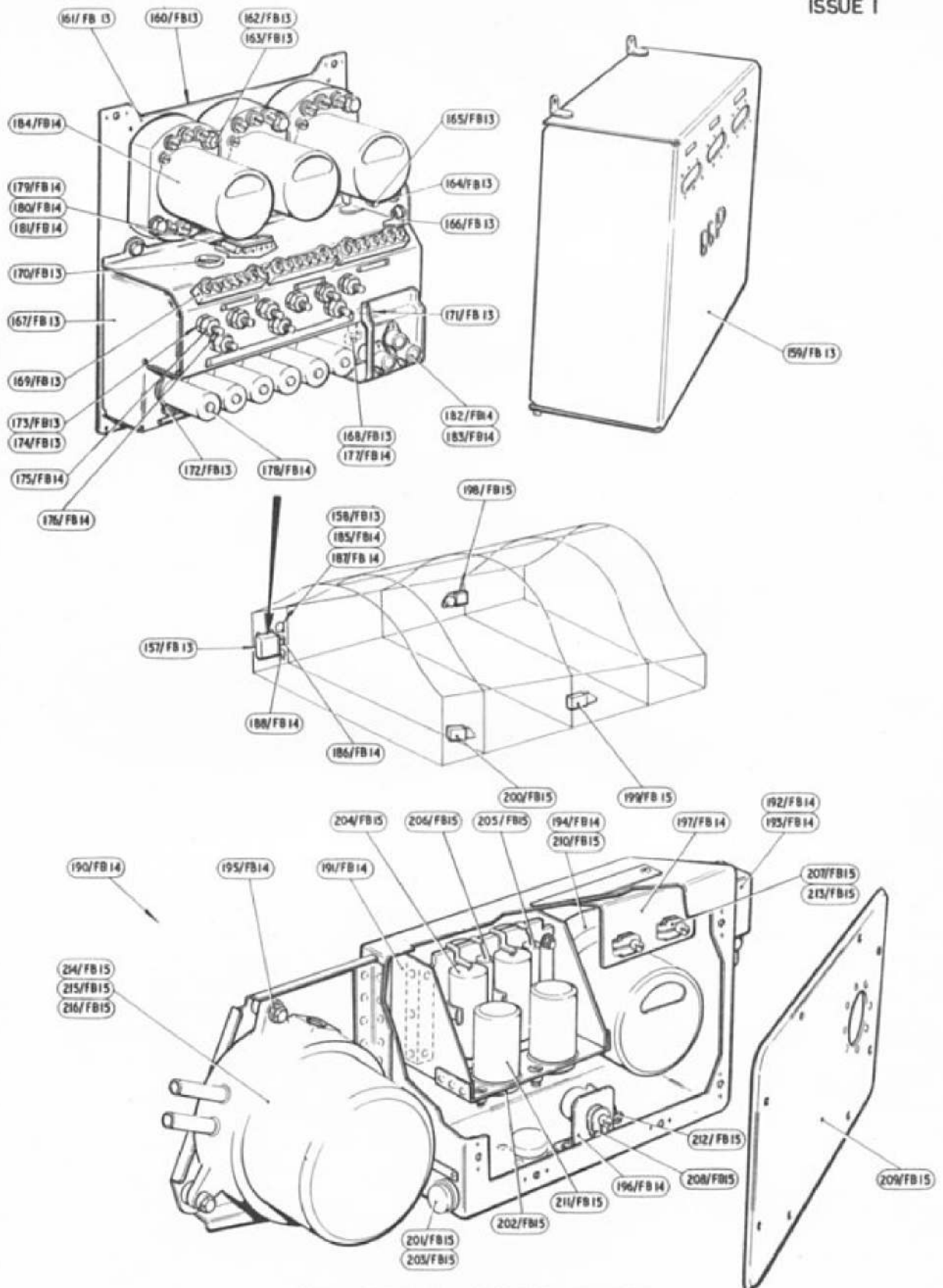
SUMMARY OF STANDARD ITEMS

Stores Ref.		No. off	Stores Ref.		No. off	Stores Ref.		No. off
Section	Ref. No.		Section	Ref. No.		Section	Ref. No.	
28D	9706373	60	28M	7002430	18	28W	9419446	123
28D	9140635	6	28M	7002431	2	28W	9419401	129
28D	1010658	10	28M	9435066	13	28W	9419454	134
28D	1011006	8	28M	9434251	12	28W	9419455	1
28D	1010029	4	28M	9435067	21	28W	9419402	11
28D	1009984	6	28M	4095866	1	28W	9419403	1
28D	1011011	3	28M	9132600	6	28W	9419473	6
28D	9132448	1	28M	1007946	26	28W	9419474	4
28D	9015170	1				28W	9419475	32
28D	9436920	46				28W	9419405	33
28D	9133011	27	28S	1200049	88	28W	9419404	5
28D	9133012	3	28S	1200044	14	28W	1010733	2
28D	1010030	2	28S	9419437	55	28W	1200073	7
28D	9133014	1	28S	1200043	1	28W	1200071	34
28D	9453970	1	28S	1200050	22	28W	9416641	34
28D	1010031	4	28S	9419435	1	28W	1206041	25
28D	1011254	18	28S	9419453	9	28W	9419185	8
28D	1202771	1	28S	1200034	14	28W	1006946	12
28D	1214035	1	28S	1200040	13			
28D	9137408	12	28S	1200033	5			
28D	1007979	2	28S	1200035	1			
28D	1214876	6	28S	9131095	9			
28D	9137409	6	28S	9997545	9			
28D	1215086	1	28S	9435713	26			
28D	9128739	54	28S	1200047	20			
28D	1218384	4	28S	1007752	9			
28D	1007981	2	28S	1007753	2			
28D	1007982	14	28S	1006979	24			
28D	1212792	4	28S	1006948	32			
28D	1213476	12	28S	1017747	30			
			28S	9995324	4			
28FP	1014631	4	28S	1011486	3			
28FP	9434075	4	28S	1008327	3			
28FP	9542167	14	28S	9992522	2			
28FP	9425771	14	28S	1007405	4			
			28S	1007443	4			
28M	9403518	34	28S	1213423	6			
28M	1006504	16						
28M	1006473	4						
28M	1007403	10						
28M	9403517	6						
28M	1987493	57						
28M	10287	8						
28M	10288	44						
28M	10290	4						
28M	10326	107						
28M	10327	44						
28M	10328	73						

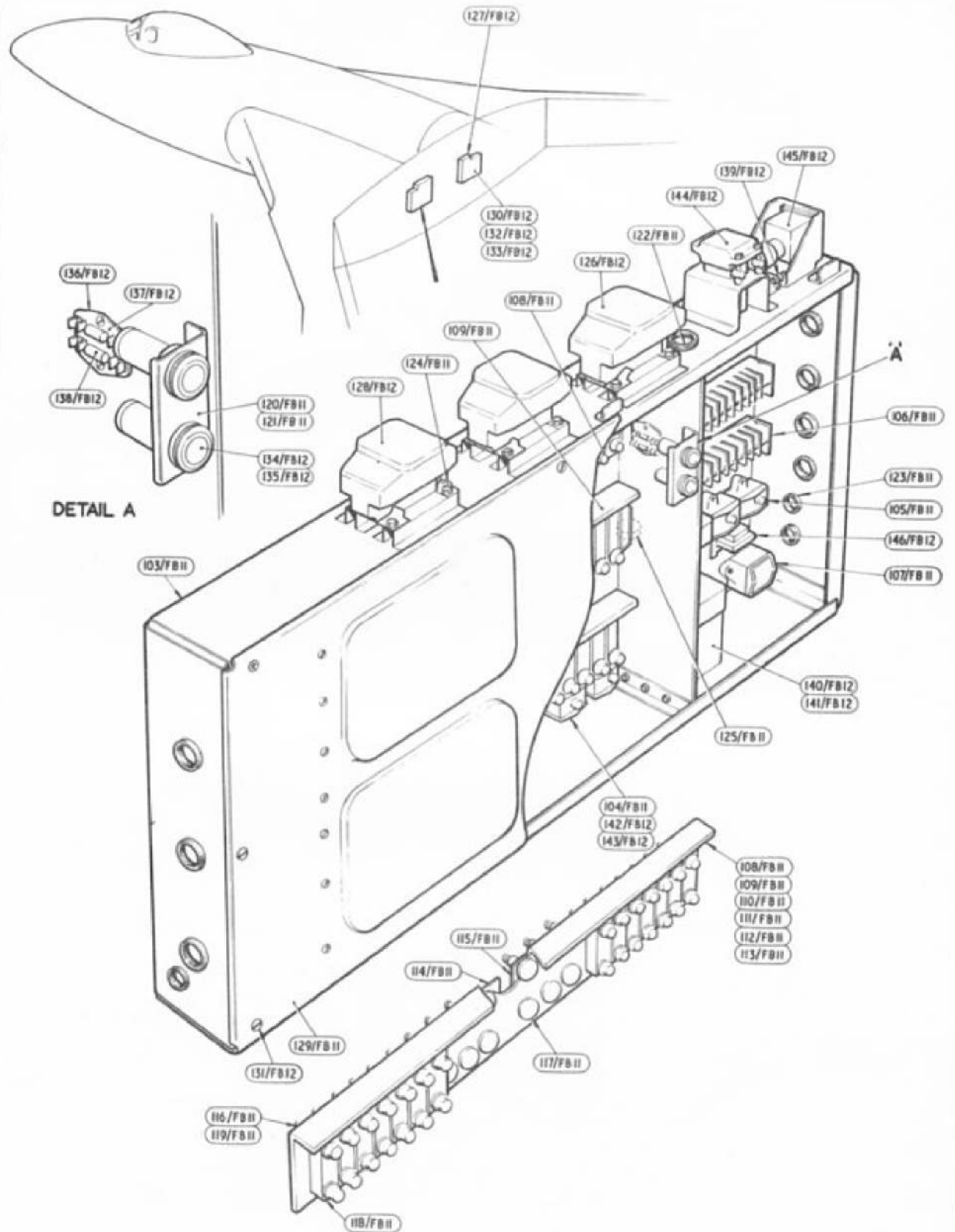


ELECTRICAL INSTALLATION
CENTRE PORTION - FUSELAGE

(1)



ELECTRICAL INSTALLATION
CENTRE PORTION FUSELAGE



ELECTRICAL INSTALLATION
CENTRE PORTION FUSELAGE

This file was downloaded
from the RTFM Library.

Link: www.scottbouch.com/rtfm

Please see site for usage terms,
and more aircraft documents.

