

VULCAN Mk. 2

ELECTRICAL INSTALLATION

Page FC. 1

FUSELAGE CENTRE PORTION—BELOW AIR INTAKES

Ref. No.	Part No.	Description	No. off	Matl. Spec.	Cl. of St.	Plate and Illust'n No.
					M.R.	
		1 2 3 4				
		ELECTRICAL INSTALLATION IN CENTRE PORTION BELOW AIR INTAKES, PORT AND STARBOARD (1 & 2V8495 Pre-Mod. 360) (6 & 7V8495 Mod. 360) Spares for:—				
5CZ/4335567	TEDDINGTON FLM/A/14 1V6691	Amplifier, magnetic	1	—	A	FC1/1
	SANGAMO WESTON FD751/10	Block, terminal, 2-way	2	—	MR	FC1/2
6A/4705		Cable, 10'—0" long	1	—	C	
	694V7909	CABLE, (F694) TB.703 TO MICRO SWITCH, GROUP	1	—		
	695V7909	CABLE, (F695) OVERHEAT SWITCH TO TB.710, GROUP	1	—		
	696V7909	CABLE, (F696) TO TB. 702, GROUP	1	—		
	697V7909	CABLE, (F697) TB. 703 TO TB. 711, GROUP	1	—		
	698V7909	CABLE, (F698) TO TB. 703, GROUP	1	—		
	699V7909	CABLE, (F699) TB. 711 TO TB. 703, GROUP	1	—		
	700V7909	CABLE, (F700) TB. 706 TO TB. 711, GROUP	1	—		
	701V7909	CABLE, (F701) TB.703 TO TB'S 706 & 711, GROUP	1	—		
	702V7909	CABLE, (F702) TB. 703 TO MICRO SWITCH	1	—		
	705V7909	CABLE, (F705) TB. 708 TO MICRO SWITCH, GROUP	1	—		
	707V7909	CABLE, (F707) FOLLOW UP RESISTOR TO TB, 707, GROUP	1	—		
	708V7909	CABLE, (F708) TB. 691 TO TB. 708, GROUP	1	—		
	709V7909	CABLE, (F709) TB.708 TO INCHING CONTROL, GROUP	1	—		
	710V7909	CABLE, (F710) TB. 691 TO TB. 709, GROUP	1	—		
	711V7909	CABLE, (711) TB. 691 TO TB's 708 AND 709, GROUP	1	—		

ELECTRICAL INSTALLATION
FUSELAGE CENTRE PORTION—BELOW AIR INTAKES

Ref. No.	Part No.	Description	No. off	Matl. Spec.	Cl. of St.	Plate and Illust'n No.
					M.R.	
		1 2 3 4				
	712V7909	CABLE, (F712) ACTUATORS TO TB's 691 AND 708, GROUP	1	—		
	713V7909	CABLE, (F713) TB. 712 TO OVERHEAT SWITCH, GROUP	1	—		
	715V7909	CABLE, (F715) TB. 708 TO MICRO SWITCH, GROUP	1	—		
	764V7909	CABLE, (F764) CROSS FEED COCK ACTUATOR TO 32P, GROUP	1	—		
	765V7909	CABLE, (F765) TB. TO EARTH, GROUP	1	—		
	766V7909	CABLE, (F766) TB. 475 TO TB's 477 AND 480, GROUP	1	—		
	768V7909	CABLE, (F768) TB. 745 TO EARTH, GRP.	1	—		
	770V7909	CABLE, (F770) TB. 467 TO EARTH, GRP.	1	—		
	771V7909	CABLE, (F771) TB. 491 TO EARTH, GRP.	1	—		
	1080V7909	CABLE, (F1080) 30P TO EARTH, GROUP	1	—		
	1081V7909	CABLE, (F1081) No. 1 FUEL COCK TO 30P, GROUP	1	—		
	1086V7909	CABLE, (F1086) 33P TO EARTH, GROUP	1	—		
	1087V7909	CABLE, (F1087) No. 4 FUEL COCK TO 33P, GROUP	1	—		
	2061V7909	CABLE, (F2061) TB. 432 TO H.D. CONNECTORS, GROUP	1	—		
	2248V7909	CABLE, (F2248) TRANSFORMER TO EARTH, GROUP (Pre-Mod. 885)	1	—		
	2249V7909	CABLE, (2249) TB. 432 TO TB. 433 TRANSFORMER AND EARTH, GROUP (Pre-Mod. 885)	1	—		
	7869V7909	CABLE, (F2249) TB. 432 TO TB. 433 TRANSFORMER & EARTH, GROUP (Mod. 885) (Pre-Mod. 360)	1	—		
	2537V7909	CABLE, (F2537) TB. 710 TO 17P, GROUP	1	—		

VULCAN Mk. 2

ELECTRICAL INSTALLATION
FUSELAGE CENTRE PORTION—BELOW AIR INTAKES

Page FC. 3

Ref. No.	Part No.	Description	No. off	Matl. Spec.	Cl. of St.	Place and Illust'n No.
					M.R.	
		<u>1 2 3 4</u>				
	2841V7909	CABLE, (F2841) POWER PACK TO TB. 462, .. GROUP	1	—		
	2842V7909	CABLE, (F2842) RELAY 255 TO RELAY 259, GROUP	1	—		
	2846V7909	CABLE, (F2846) TEST SOCKET TO No. 1 TANK, STARBOARD, GROUP	1	—		
	2896V7909	CABLE, (F2896) MICRO SWITCH TO RESISTOR, GROUP (Pre-Mod. 360)	1	—		
	2897V7909	CABLE, (F2897) AT RESISTORS 1 & 2, GROUP	1	—		
	2898V7909	CABLE, (F2898) AT RESISTORS 2 & 3, GROUP	2	—		
	2899V7909	CABLE, (F2899) AT RESISTORS 2 & 3, GROUP	1	—		
	2900V7909	CABLE, (F2900) AT RESISTORS 1 & 2, GROUP	1	—		
	3038V7909	CABLE, (F3038) TRANSFORMER TO EARTH, GROUP (Pre-Mod. 360)	1	—		
	7866V7909	CABLE, (F2062) TRANSFORMER TO TB. 433 & RESISTOR, GROUP (Pre-Mod. 360)	1	—		
	8143V7909	CABLE, (F2896) MICRO SWITCH TO RESISTOR, GROUP (Mod. 360)	1	—		
	8222V7909	CABLE, (F691) TB. 702 TO TB's 703 AND 706, GROUP (Mod. 862)	1	—		
	8223V7909	CABLE, (F703) TB. 707 TO TB's 708 AND 709, GROUP (Mod. 862)	1	—		
	8732V7909	CABLE, (F692) 17P TO AMPLIFIER AND EARTH, GROUP	1	—		
	8733V7909	CABLE, (F704) 18P TO AMPLIFIER AND EARTH, GROUP	1	—		
	8742V7909	CABLE, (F1082) 31P TO EARTH, GROUP	1	—		
	8743V7909	CABLE, (F1084) 32P TO EARTH, GROUP	1	—		
	8851V7909	CABLE, (F2249) TB. 432 TO TB. 433 AND EARTH, GROUP (Mod. 1194)	1	—		
	8870V7909	CABLE, (F1083) No. 2 FUEL COCK TO 31P, GROUP (Mod. 1320)	1	—		
	8871V7909	CABLE, (F1085) TB. 487 TO TB. 488, GROUP (Mod. 1320)	1	—		

ELECTRICAL INSTALLATION
FUSELAGE CENTRE PORTION—BELOW AIR INTAKES

Ref. No.	Part No.	Description	No. off	Mati. Spec.	Cl. of St.	Plate and Illust'n No.
					M.R.	
		1 2 3 4				
1433028	8892V7909	CABLE, (F2021) No. 1 ENG. SEAL BULKHEAD PLUG 742 TO 30P, GROUP (Mod. 1320)	1	—		
	8893V7909	CABLE, (F2022) No. 2 ENG. SEALING BULKHEAD PLUG 743 TO 31P, GROUP (Mod. 1320) (Pre Mod. 2481)	1	—		
	9973V7909	CABLE, (F2022) No. 2 ENG. SEALING BULKHEAD PLUG 743 TO 31P, GROUP (Mod. 2481)	1	—		
	8894V7909	CABLE, (F2023) No. 3 ENG. SEALING BULKHEAD PLUG 744 TO 32P, GROUP (Pre Mod. 2481)	1	—	C	
	9974V7909	CABLE, (F2023) No. 3 ENG. SEALING BULKHEAD PLUG 744 TO 32P, GROUP (Mod. 2481)	1	—		
	8895V7909	CABLE, (F202A) No. 4 ENG. SEALING BULKHEAD PLUG 745 TO 33P, GROUP (Mod. 1320) (Pre Mod. 2481)	1	—		
	9975V7909	CABLE, (F202A) No. 4 ENG. SEALING BULKHEAD PLUG 745 TO 33P, GROUP (Mod. 2481)	1	—		
22840	9752V7909	CABLE, (F3225), GROUP (Mod. 2032)	1	—		
	9780V7909	CABLE, (F3226), GROUP (Mod. 2032)	1	—		
	AS4799	Clip, spring	4	—	MR	FC1/3
	AS8671/35	Capping, duct, 35" long	1	—		
	AS8671/21	Capping, duct, 21" long	2	—		
	AS8671/19	Capping, duct, 19" long	2	—		
	21SS4623	Duct, cable, 21" long, port	2	—	C	FC1/4
	355SS4623	Duct, cable, 35" long	1	—	MR	FC1/5
	19SS4623	Duct, cable, 19" long, starboard	2	—	MR	FC1/6
	11V8495	Fairlead, half	4	—		FC1/7
	13V8495	Fairlead	4	—		FC1/8
5CZ/1046402	14V8495	MOUNTING RESISTOR, GROUP	1	—		FC1/9
	Spares for:—					
	5V8495	Channel, mounting	2	—		FC1/10
	BERCO LTD. SA22	Mounting, insulator	6	—	C	FC1/11
	9V6359	Insulator	6	—		FC1/12
	10V6359	Insulator	6	—		FC1/13
	BERCO LTD. K6/VP 6.8Ω	Resistor, 180 watt, c/w spring mounting clip CL37	3	—		FC1/14
5X/6200370	1V6680	PANEL, TERMINAL BLOCK, PORT, GROUP	1	—		FC1/15
	2V6680	PANEL, TERMINAL BLOCK, STARBOARD, GROUP	1	—		FC1/16
5X/4491487	Spares for:—					
	1V5650	Block, terminal	8	—	C	FC1/17
5X/4491488	3V6680	PANEL, LESS EQUIPMENT, GROUP	1	—		FC1/18
	14V5650	Socket, double	3	—	C	FC1/19
	15V5650	Socket, single	22P 20S	—	C	FC1/20

VULCAN Mk. 2

ELECTRICAL INSTALLATION

Page FC. 5

FUSELAGE CENTRE PORTION—BELOW AIR INTAKES

Ref. No.	Part No.	Description	No. off	Matl. Spec.	Cl. of St.	Plate and Illust'n No.
					M.R.	
		1 2 3 4				
		ELECTRICAL INSTALLATION IN CENTRE PORTION BELOW AIR INTAKES PORT AND STARBOARD (1 & 2 V8495 Pre-Mod. 360) (6 & 7 V8495 Mod. 360) (Cont'd.)				
	1V6339	PANEL, 30P, PORT, GROUP	1	—		FC1/21
	1V6340	PANEL, 31P, PORT, GROUP	1	—		FC1/22
		Spares for:—				
5X/6200370	1V5650	Block, terminal	6	—	C	FC1/23
	22V5650	Jumper, for 30P	2	—	MR	
		Jumper, for 31P	1	—		
	2V6339	PANEL, 30P, LESS EQUIPMENT, PORT, GROUP	1	—		FC1/24
	2V6340	PANEL, 31P, LESS EQUIPMENT, PORT, GROUP	1	—		FC1/25
5X/4491487	14V5650	Socket, double, for 30P	3	—	C	FC1/26
		Socket, double, for 31P	1	—		
5X/4491488	15V5650	Socket, single, for 30P	11	—	C	FC1/27
		Socket, single, for 31P	15	—		
	1V6341	PANEL, 32P, STARBOARD, GROUP	1	—		FC1/28
	1V6342	PANEL, 33P, STARBOARD, GROUP	1	—		FC1/29
		Spares for:—				
5X/6200370	1V5650	Block, terminal	6	—	C	FC1/30
	22V5650	Jumper, for 32P	1	—	MR	
		Jumper, for 33P	2	—		
	2V6341	PANEL, 32P, LESS EQUIPMENT, STARBOARD, GROUP	1	—		FC1/31
	2V6342	PANEL, 33P, LESS EQUIPMENT, STARBOARD, GROUP	1	—		FC1/32
5X/4491487	14V5650	Socket, double, for 32P	1	—	C	FC1/33
		Socket, double, for 33P	3	—		
5X/4491488	15V5650	Socket, single, for 32P	15	—	C	FC1/34
		Socket, single, for 33P	11	—		
	1V7686	PANEL, DE-ICING, 17P, PORT, GROUP	1	—		FC1/35
	2V7686	PANEL, DE-ICING 18P, STARBOARD, GROUP	1	—		FC1/36
		Spares for:—				
5X/6200370	1V5650	Block, terminal	3	—	C	FC1/37
	9V7686	COVER, 17P, GROUP	1	—		FC1/38
13262	10V7686	COVER, 18P, GROUP	1	—	C	FC1/39
		Spares for:—				
28FP/9144248	A4/25	Fastener, Dzus	6	—	C	FC1/40
28FP/9430915	GA4/250	Grommet	6	—	C	FC1/41
10H/0560013	—	Holder, valve	1	—	C	FC1/42
	9V5857	Insulator	2	BSS972		FC1/43

ELECTRICAL INSTALLATION
FUSELAGE CENTRE PORTION—BELOW AIR INTAKES

Ref. No.	Part No.	Description	No. off	Matl. Spec.	Cl. of St.	Plate and Illust'n No.
					M.R.	
		1 2 3 4				
		PANEL, DE-ICING, 17P, PORT AND 18P, STARBOARD (1 & 2V7686) (Cont'd.)				
	1V10225	LOOM, CABLE, 17P, GROUP	1	—		
	1V10226	LOOM, CABLE, 18P, GROUP	1	—		
	1V7687	PANEL, 17P, LESS EQUIPMENT, GROUP ...	1	—		FC1/44
	6V7687	PANEL, 18P, LESS EQUIPMENT, GROUP ...	1	—		FC1/45
	PLESSEY					
5CW/4400162	7CZ/103739/2	Relay, Type 2 P.D.T.	1	—	A	FC1/46
5CW/4400161	7CZ/105411/2	Relay, Type 4 P.D.T.	3	—	B	FC1/47
	10V5857	RETAINER, VALVE, GROUP	1	—	MR	FC1/48
		Consisting of:—				
28M/1987493	AGS2001/A1	Nut, stiff, 6 BA	2	—	C	
28M/1200096	A27/AT	Nut, thin, 6 BA	2	—	C	
	10bV5857	Retainer, valve	1	BSS972		
	TERRY					
	EX5	Spring, extension	2	—		
	10aV5857	Stud, special	2	S1		
28W/9419473	SP15/A	Washer, 6 BA	4	—	C	
	6V6335	SUPPORT, RESISTOR, GROUP	2	—		FC1/49
		Consisting of:—				
	6aV6335	Bolt, special (Made from A35/4B)	2	—		
28M/1006504	A27/BT	Nut, thin, 4 BA	2	—	C	
	8V5857	Support, resistor	2	BSS972		
28W/9419401	SP10/B	Washer, 4 BA	2	—	C	
28W/1010155	AGS162/B	Washer, spring, 4 BA	2	—	C	
	SUNVIC					
	CONTROLS					
5CW/4400081	601V	Switch, hot wire vacuum, c/w resistor ...	1	—	B	
	ROTAX					
5UB/4342763	P6601	Transformer (Pre-Mod. 360)	1	—	C	FC1/50
	4V6360	Tube, conduit	1	—		FC1/51

VULCAN Mk. 2

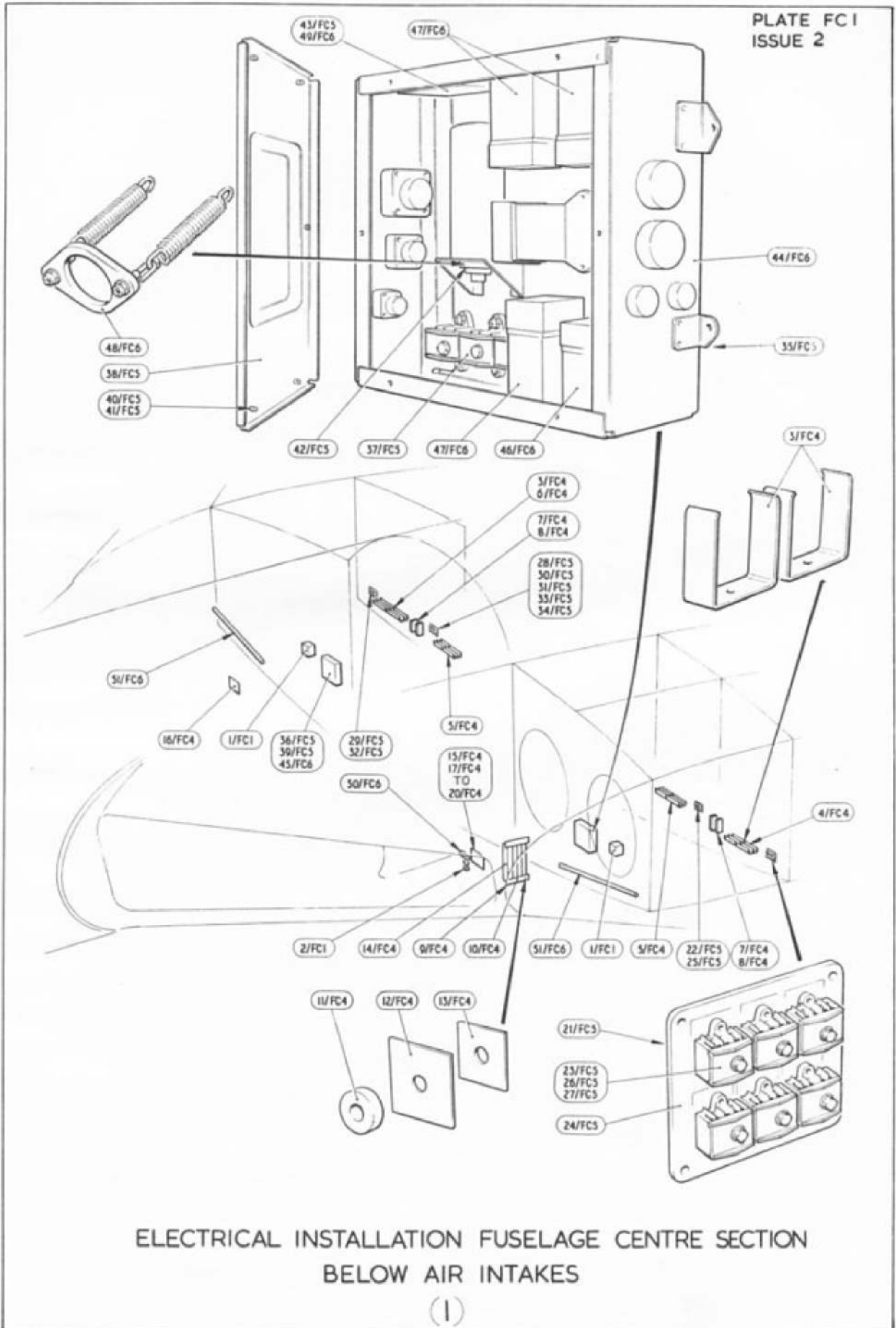
ELECTRICAL INSTALLATION
SUMMARY OF STANDARD ITEMS

Page FC. 7

Stores Ref.		No. off	Stores Ref.		No. off	Stores Ref.		No. off
Section	Ref. No.		Section	Ref. No.		Section	Ref. No.	
28D	1010658	73	28S	1200044	13			
28D	1008149	4	28S	9419437	4			
28D	1010142	4	28S	1200043	48			
28D	9435711	4	28S	9140640	1			
28D	9140639	2	28S	9419453	54			
28D	9132449	2	28S	1200034	56			
28D	9436920	67	28S	1200040	5			
28D	9133011	57	28S	9140642	8			
28D	7002428	6	28S	9997545	8			
28D	1010030	14	28S	9435713	4			
28D	1011019	18	28S	1200047	12			
28D	9140644	4	28S	1200042	4			
28D	9435710	2						
28D	9410397	1						
28D	1007973	10	28W	1007983	12			
28D	1007468	16	28W	1010155	4			
28D	1212800	4	28W	9419446	4			
			28W	9419401	173			
			28W	9419454	57			
28FP	9144248	12	28W	9419464	4			
28FP	9430915	12	28W	9419465	56			
			28W	9419402	73			
			28W	9419473	16			
28M	1200096	8						
28M	10286	10						
28M	10328	43						
28M	10327	155						
28M	9435559	48						
28M	9434253	2						
28M	11957	2						

RESTRICTED

PLATE FC I
ISSUE 2



ELECTRICAL INSTALLATION FUSELAGE CENTRE SECTION
BELOW AIR INTAKES

(1)

RESTRICTED

This file was downloaded
from the RTFM Library.

Link: www.scottbouch.com/rtfm

Please see site for usage terms,
and more aircraft documents.

