

## ELECTRICAL INSTALLATION

## CREW'S NACELLE

Ref. No.	Part No.	Description	No. off	Matl. Spec.	Cl. of	Plate and Illust'n No.
					St. M.R.	
		1 2 3 4				
		ELECTRICAL INSTALLATION IN CREW'S NACELLE (V9592) (V11179) Spares for:— ARRANGEMENT OF U/V AND COCKPIT LIGHTING (V9186) Spares for:—				
5X/6200370	1V5650	Block, terminal, in coaming . . . . .	2	—	C	FG1/1
	B.T.H.					
5CZ/4335756	X2126730	Box, gear control . . . . .	2	—	A	FG1/2
	213V7909	CABLE, (F213), DIMMER SWITCH TO . . . . . FUSE 628, GROUP	1	—		
	214V7909	CABLE, (F214), DIMMER SWITCH TO . . . . . LAMP, GROUP	1	—		
	217V7909	CABLE, (F217), DIMMER SWITCH TO . . . . . FUSE 629, GROUP	1	—		
	220V7909	CABLE, (F220), PORT LAMP, GROUP . . . . .	1	—		
	222V7909	CABLE, (F222), DIMMER SWITCH TO . . . . . LAMP, GROUP	1	—		
	228V7909	CABLE, (F228), LAMP, GROUP . . . . .	1	—		
	229V7909	CABLE, (F229), SWITCH TO LAMP, . . . . . GROUP	1	—		
	230V7909	CABLE, (F230), SWITCH TO LAMP, . . . . . GROUP	1	—		
	458V7909	CABLE, (F458), LAMP TO EARTH, . . . . . GROUP	1	—		
	459V7909	CABLE, (F459), LAMP TO EARTH, . . . . . GROUP	1	—		
	884V7909	CABLE, (884), No. 2 CONTROL UNIT TO . . CENTRE LAMP, GROUP	1	—		
	889V7909	CABLE, (F889), No. 1 CONTROL UNIT . . . . TO THROTTLE BOX LAMP, GROUP	1	—	MR	
	890V7909	CABLE, (F890), DIMMER SWITCH TO . . . . . No. 1 CONTROL UNIT, GROUP	1	—		
	891V7909	CABLE, (F891), No. 2 CONTROL UNIT . . . . TO TB. 99, GROUP	1	—		
	892V7909	CABLE, (F892), No. 1 CONTROL UNIT . . . . TO TB. 893, GROUP	1	—		
	895V7909	CABLE, (F895), PORT OXYGEN PANEL . . . . LAMP TO DIMMER SWITCH, GROUP	1	—		
	896V7909	CABLE, (F896), SWITCH TO TB. 267, . . . . . GROUP	1	—		
	897V7909	CABLE, (F897), STARBOARD, OXYGEN . . . . PANEL LAMP TO DIMMER SWITCH, GROUP	1	—		

ELECTRICAL INSTALLATION  
CREW'S NACELLE

Ref. No.	Part No.	Description	No. off	Matl. Spec.	Cl. of	Plate and Illust'n No.
					St. M.R.	
		1 2 3 4				
		ARRANGEMENT OF U/V AND COCKPIT .... LIGHTNING (V9186) (Cont'd)				
	1392V7909	CABLE, (F1392), 6P LAMP, GROUP .....	1	—		
	1393V7909	CABLE, (F1393), 7P LAMP, GROUP .....	1	—		
	2049V7909	CABLE, (F2049), TB. 104 TO TB. 764, .....	1	—		
		GROUP				
	2050V7909	CABLE, (F2050), No. 1 RESISTOR TO .....	1	—		
		TB. 764, GROUP				
	2051V7909	CABLE, (F2051), PORT LAMP TO .....	1	—		
		TB. 764, GROUP				
	2052V7909	CABLE, (F2052), No. 1 RESISTOR TO .....	1	—		
		No. 2 RESISTOR, GROUP				
	2053V7909	CABLE, (F2053), STARBOARD LAMP TO ..	1	—		
		TB. 764, GROUP				
	2054V7909	CABLE, (F2054), No. 2 RESISTOR TO .....	1	—		
		TB. 764, GROUP				
	2055V7909	CABLE, (F2055), PILOT'S SWITCH TO .....	1	—		
		TB. 764, GROUP				
	2174V7909	CABLE, (F2174), TB. 2148 TO EARTH, ....	1	—		
		GROUP				
	2175V7909	CABLE, (F2175), TB. 2148 TO EARTH, ....	1	—		
		GROUP				
	2176V7909	CABLE, (F2176), TB. 2148 TO PORT .....	1	—		
		DIMMER SWITCH, GROUP				
	2177V7909	CABLE, (F2177), TB. 2148 TO STARBOARD	1	—		
		DIMMER SWITCH, GROUP				
12369	2462V7909	CABLE, (F2462), WANDER LAMP TO 4P ...	1	—		
		PANEL AND PILOT'S FLOOR, GROUP				
	2463V7909	CABLE, (F2463), PANEL 4P TO COCKPIT ..	1	—		
		RAIL STARBOARD, GROUP				
	2464V7909	CABLE, (F2464), PANEL 4P TO COCKPIT ..	1	—		
		RAIL STARBOARD, GROUP				
	2465V7909	CABLE, (F2465), PANEL 4P TO COCKPIT ..	1	—		
		RAIL STARBOARD, GROUP				
	2466V7909	CABLE, (F2466), PANEL 4P TO COCKPIT ..	1	—		
		RAIL STARBOARD, GROUP				
	2467V7909	CABLE, (F2467), PANEL 4P TO COCKPIT ..	1	—		
		RAIL STARBOARD, GROUP				

VULCAN Mk. 2

## ELECTRICAL INSTALLATION

Page FG. 3

## CREW'S NACELLE

Ref. No.	Part No.	Description	No. off	Matl. Spec.	Cl. of	Plate and Illust'n No.
					St. M.R.	
		1 2 3 4				
<b>ARRANGEMENT OF U/V AND COCKPIT LIGHTING (Y9186) (Cont'd)</b>						
	2468V7909	CABLE, (F2468), COCKPIT RAIL TO PILOT'S FLOOR STARBOARD, GRP.	1	—		
	2469V7909	CABLE, (F2469), AT COAMING PORT, GROUP	1	—		
	2470V7909	CABLE, (F2470), AT COAMING STARBOARD, GROUP	1	—		
	2471V7909	CABLE, (F2471), COCKPIT RAIL 2ND PILOT TO LAMP STARBOARD, GRP.	1	—		
	2472V7909	CABLE, (F2472), COCKPIT RAIL TO 5P, GROUP	1	—		
	2473V7909	CABLE, (F2473), COCKPIT RAIL PORT TO ADJACENT PANEL 1P BREAK, GROUP	1	—		
	2474V7909	CABLE, (F2474), COCKPIT RAIL STARBOARD TO THROTTLE BOX, GRP.	1	—		
	2475V7909	CABLE, (F2475), COCKPIT RAIL STARBOARD TO THROTTLE BOX, GRP.	1	—		
	2476V7909	CABLE, (F2476), ADJACENT PANEL 1P BREAK TO PILOT'S FLOOR, GRP.	1	—		
	2840V7909	CABLE, (F2840), DIMMER SWITCH TO TB. 1168, GROUP	1	—		
	2876V7909	CABLE, (F2876), LAMP AT PORT COAMING, GROUP (Mod. 747)	1	—		
	2877V7909	CABLE, (F2877), LAMP ABOVE 6P, GROUP (Mod. 747)	1	—		
	2878V7909	CABLE, (F2878), LAMP ABOVE 6P, GROUP (Mod. 747)	1	—		
	2879V7909	CABLE, (F2879), LAMP ABOVE 6P, GROUP (Mod. 747)	1	—		
	2880V7909	CABLE, (F2880), LAMP ABOVE 7P, GROUP (Mod. 747)	1	—		
	2881V7909	CABLE, (F2881), LAMP ABOVE 7P, GROUP (Mod. 747)	1	—		
	2882V7909	CABLE, (F2882), LAMP ABOVE 7P, GROUP (Mod. 747)	1	—		
	2883V7909	CABLE, (F2883), LAMP AT COAMING STARBOARD, GROUP (Mod. 747)	1	—		

**ELECTRICAL INSTALLATION**  
**CREW'S NACELLE**

Ref. No.	Part No.	Description	No. off	Matl. Spec.	Cl. of	Plate and Illust'n No.
					St. M.R.	
		1 2 3 4				
		<b>ARRANGEMENT OF U/V AND COCKPIT LIGHTING (V9186) (Cont'd)</b>				
	3536V7909	CABLE, (F3536), SWITCH TO LAMP AT 1ST PILOTS STATION, GROUP (Mod. 1358)	1	—		
	3537V7909	CABLE, (F3537), SWITCH TO EARTH AT 1ST PILOTS STATION, GROUP (Mod. 1358)	1	—		
	3538V7909	CABLE, (F3538), SWITCH AT 1ST PILOTS STATION, GRP. (Mod. 1358)	1	—		
	7038V7909	CABLE, (F2172), ADJACENT PANEL 3P COCKPIT RAIL PORT, GROUP	1	—		
	7039V7909	CABLE, (F2173), ADJACENT PANEL 4P TO COCKPIT RAIL STARBOARD, GROUP	1	—		
	7054V7909	CABLE, (F218), DIMMER SWITCH TO LAMP, GROUP	1	—		
	7055V7909	CABLE, (F226), COCKPIT RAIL STARBOARD TO 7P, GROUP	1	—		
	7057V7909	CABLE, (F313), COAMING, PORT TO PILOTS FLOOR, GROUP	1	—		
	7059V7909	CABLE, (F314), COAMING, STARBOARD TO PILOTS FLOOR, GROUP	1	—		
	7069V7909	CABLE, (F1861), PILOTS SELECTOR TO 4P AND EARTH, GROUP	1	—		
	7070V7909	CABLE, (F221), 4P TO COCKPIT RAIL STARBOARD, GROUP	1	—		
	7071V7909	CABLE, (F225), 4P TO COCKPIT RAIL STARBOARD, GROUP	1	—		
	7496V7909	CABLE, (F1395), COAMING PORT, TO PILOTS FLOOR, GROUP	1	—		
	7683V7909	CABLE, (F893), PILOTS FLOOR TO TB. 99 AND EARTH, GROUP	1	—		
	7744V7909	CABLE, (F883), No. 2 CONTROL UNIT TO DIMMER SWITCH, GRP. (Mod. 446)	1	—		
	7792V7909	CABLE, (F1396), COAMING STARBOARD SIDE TO PILOTS FLOOR, GROUP	1	—		

VULCAN Mk. 2

## ELECTRICAL INSTALLATION

Page FG.5

## CREW'S NACELLE

Ref. No.	Part No.	Description	No. off	Matl. Spec.	Cl. of St.	Plate and Illust'n No.
					M.R.	
		1 2 3 4				
1510711	7813V7909	ARRANGEMENT OF U/V AND COCKPIT LIGHTING (V9186) (Cont'd) CABLE, (F885) No. 2 CONTROL UNIT TO ... COAMING STARBOARD OUTER, GROUP (Mod. 747)	1	—	C	
	7814V7909	CABLE, (F886) No. 2 CONTROL UNIT ... TO COAMING STARBOARD INNER, GROUP (Mod. 747)	1	—		
1510625	7815V7909	CABLE, (F887) No. 1 CONTROL UNIT TO ... COAMING PORT INNER, GROUP (Mod. 747)	1	—	C	
	7816V7909	CABLE, (F888) No. 1 CONTROL UNIT TO ... COAMING PORT OUTER, GROUP (Mod. 747)	1	—		
10H/0970055 6813	7840V7909	CABLE, (F2048) 3P TO NAVIGATION ... PANEL, GROUP (Mod. 734)	1	—		
	7841V7909	CABLE, (F2056) FUSE 910 TO PILOT'S ... SWITCH, GROUP (Mod. 734)	1	—		
6240-99- 9951272	1V7649	Cap, protective ... LAMPHOLDER, DOUBLE RED FLOOD ... GROUP (Mod. 747)	2 6	— —	C B	FG1/4
	3V7649	Spares for:— BODY, C/W SCREEN FLOOD, GROUP ... Filament	1 2	— —	B	FG1/5 FG1/6
5A/4345258	2V7649	HOUSING, LAMP, GROUP ... Spares for:—	2	—		FG1/7
	2aV7649	CAP, END, GROUP ... Lampholder	1 1	— —	C	FG1/8 FG1/9
6240-99- 9951282	2fV7649	Washer, special ... LIGHTING, U/V AND RED FLOOD INSTRUMENT IN COCKPIT (V9575) Spares for:—	1	BSS668		FG1/10
	17V7726 8V7726	Bracket ... Bracket ... Filament	1 1 2	L59 L59 —	C	FG1/11 FG1/12 FG1/13
6220-99- 4330201 6813	—	Lamp, high intensity	2	—	B	FG1/14
	1V7649	Lampholder, red flood ... Spares for:—	4	—	B	FG1/15
6240-99- 9951272	3V7649	BODY, C/W SCREEN, GROUP ... Filament	1 2	— —	C	FG1/16 FG1/17
	2V7649	HOUSING, LAMP, GROUP ... Spares for:—	2	—		FG1/18
5A/4345258	22V7649	CAP, END, GROUP ... Lampholder	2 1	— —	C	FG1/19 FG1/20
	2fV7649	Washer, special	2	BS668		FG1/21
6809	1V7619	LAMPHOLDER, U/V, GROUP ... Spares for:—	6	—	B	FG1/22
	2V7619 B.T.H. 3V7619 4V7619	Housing, group ... Lamp, 4 watt discharge ... Plate, clamping ... Window	1 1 1 1	— — — DTD846	MR MR	FG1/23 FG1/24 FG1/25 FG1/26

## ELECTRICAL INSTALLATION

## CREW'S NACELLE

Ref. No.	Part No.	Description	No. off	Mati. Spec.	Cl. of St.	Plate and Illust'n No.
					M.R.	
		1 2 3 4				
		<b>LIGHTING, U/V AND RED FLOOD INSTRUMENT IN COCKPIT (V9575) (Cont'd.)</b>				
	1V6655	Loom .....	1	—		
	16V7726	Seal, rubber .....	2	—		FG1/27
	6V7726	Trough, cable, port .....	1	L72		FG1/28
	7V7726	Trough, cable, starboard .....	1	L72		FG1/29
	10V7726	Trough, cable, port .....	1	L72		FG1/30
	11V7726	Trough, cable, starboard .....	1	L72		FG1/31
	12V7726	Trough, cable, port .....	1	L72		FG1/32
	13V7726	Trough, cable, starboard .....	1	L72		FG1/33
	14V7726	Trough, cable, port .....	1	L72		FG1/34
	15V7726	Trough, cable, starboard .....	1	L72		FG1/35
	—	<b>MOUNTING, U/V LAMP, PORT AND STARBOARD, GROUP (1 &amp; 2V7847)</b>				
	—	Spares for:—				
	5V/7847	Bracket, angle, port .....	1	L72		FG1/36
11559	6V7847	Bracket, angle, starboard .....	1	L72	C	FG1/37
5L/9952261	—	Filament .....	1	—	C	FG1/38
5CX/4330060	—	Lamp, ultra violet .....	1	—	B	FG1/39
	—	<b>Mounting of Dimmer Switch on Cockpit Rail, Port (1S2366)</b>				
	—	Spares for:—				
	2S2366	PANEL, GROUP .....	1	—		FG1/40
	—	Spares for:—				
	112SS6004	Label, "Console, Red flood" .....	1	—		FG1/41
	113SS6004	Label, "Panel Red flood" .....	1	—		FG1/42
5CW/4405515	—	Switch, dimmer .....	1	—	A	FG1/43
5CW/4405520	—	Switch, dimmer .....	1	—	A	FG1/44
	—	<b>PANEL, LAMP AND SWITCH, GROUP (S2369) (Mod. 1358)</b>				
	—	Spares for:—				
	4S2369	BRACKET, MOUNTING, GROUP .....	1	—		FG1/45
11489	6eS2369	Block (Mod. 1358) .....	1	DTD130	C	FG1/46
	23SS4204	Bush, ring lock .....	1	—	MR	FG1/47
	24SS5302	Bush, ring lock .....	1	—	MR	FG1/48
	2S2369	Panel, group .....	1	—		FG1/48
	—	(Supplied less Switches & Lamps)				
	—	Spares for:—				
	6aS2369	Bracket, group (Mod. 1358) .....	1	—		
5L/9953271	—	Filament, lamp .....	1	—	B	FG1/49
	5S2369	LAMP, GROUP (Pre-Mod. 1358) .....	1	—		
	6S2369	LAMP, GROUP (Mod. 1358) .....	1	—		FG1/50
	—	Consisting of:—				
5CX/366	—	Lamp (Pre-Mod. 1358) .....	1	—	B	FG1/51
	—	Lamp (Mod. 1358) .....	1	—	B	FG1/52
	5CS2369	PLATE, BASE AND FORK, GROUP .....	1	—		FG1/53
	—	(Pre-Mod. 1358)				
	—	Spares for:—				
11490	6dS2369	Washer, friction (Mod. 1358) .....	4	Ferodo	C	FG1/54

VULCAN MK. 2

## ELECTRICAL INSTALLATION

Page FG.7

## CREW'S NACELLE

Ref. No.	Part No.	Description	No. off	Matl. Spec.	Cl. of St.	Plate and Illust'n No.
					M.R.	
		1 2 3 4				
		PANEL, LAMP AND SWITCH (S2369) GROUP (Mod. 1358) (Continued)				
5CW/4405520		Switch, dimmer (Mod. 747) .....	1	—	B	FG1/55
5CW/4405515		Switch, dimmer .....	3	—	B	FG1/56
5930-99-6198752		Switch, dimmer .....	1	—	B	FG1/57
5CW/724		Switch, dimmer .....	1	—	B	FG1/68
		PANEL, SWITCH, FOR EB2 COMPASS AND PILOT'S PILLAR LIGHTS (7V9476) (Mod. 1894)				
		Spares for:—				
11489	6aS2369	Block .....	1	DTD130	C	FG1/59
	8V9476	BRACKET, GROUP (Mod. 1894) .....	1	—		FG1/60
		Spares for:—				
	218SS6005	Label, pilot's panel pillar light .....	1	—		FG1/61
	578SS6004	Label, E2B compass .....	1	—		FG1/62
5L/9953271	—	Filament .....	1	—	C	FG1/63
5CX/366	—	Lamp, cockpit .....	1	—	B	FG1/64
5CW/4405521	—	Switch, dimmer .....	1	—	B	FG1/65
5930-99-6198752	—	Switch, dimmer .....	1	—	B	FG1/66
5CW/724	—	Switch, dimmer .....	1	—	B	FG1/67
5X/4491488	15V5650	Socket, single tier .....	10	—	C	
11088	1SS4052	Terminal, earth .....	1	—	C	
5CZ/4335518	—	Unit, resistance, type "A", No. 3 .....	2	—	B	
		AUTO PILOT EQUIPMENT UNDER PILOT'S FLOOR (See: CONTROLS AUTO PILOT)				
5X/6200370	1V5650	Block, terminal .....	14	—	C	
5X/4491775	1V7871	Block, connector (Mod. 1300) .....	1	—	C	
	5V8023	Block, mounting, terminal .....	1	BSS972		
	20Z11270	Block, attachment for temperature selector ... (Mod. 1696)	2	—		
	15V11179	Bracket, support (Mod. 2201) .....	1	—	MR	FG1/67A
7630	3V7713	BRACKET, TORQUE SWITCH COVER, GROUP .....	1	—	C	
	5V7719	Bracket, negative terminal .....	1	BSS889		
	6V8023	Bracket, positive terminal .....	1	BSS899		
	5V9592	BRACKET, PLUG MOUNTING, GROUP .....	2	—		
	9035V7909	CABLE (F8), RPB.108 TO 3P, GROUP .....	1	—		
	49V7909	CABLE (F49), RPB.164 TO 4P, GROUP .....	1	—		
	52V7909	CABLE (F52), RPB.167 TO 4P, GROUP .....	1	—		
	54V7909	CABLE (F54), RPB.169 TO 11P, GROUP .....	1	—		
		(Mod. 1716)				

## ELECTRICAL INSTALLATION

## CREW'S NACELLE

Ref. No.	Part No.	Description	No. off	Mati. Spec.	Cl. of St.	Plate and Illust'n No.
					M.R.	
		<u>1 2 3 4</u>				
	56V7909	CABLE (F56), RPB.135 TO 4P, GROUP .....	1	—		
	197V7909	CABLE (F197), RPB.132 TO 9P, GROUP .....	1	—		
		(Pre-Mod. 748)				
	215V7909	CABLE (F215), STARBOARD CONTROL .....	1	—		
		UNIT TO SUPP. CABIN, GROUP				
	232V7909	CABLE (F232), HORN SWITCHES TO .....	1	—		
		TB.190 AND RELAY 125, GROUP				
		(Pre-Mod. 2333)				
	233V7909	CABLE (F233), RELAY 125 TO ABANDON ...	1	—		
		A/C AND DECOMPRESSION WARNING				
		LAMP, GROUP				
	234V7909	CABLE (F234), ABANDON A/C AND .....	1	—		
		DECOMPRESSION WARNING LAMPS, GROUP				
	235V7909	CABLE (F235), ABANDON A/C AND .....	1	—		
		DECOMPRESSION WARNING LAMPS, GROUP				
	236V7909	CABLE (F236), 3P TO 4P AND 5P, GROUP ...	1	—		
	247V7909	CABLE (F247), SECTION SWITCH C/BOX ....	1	—		
		TO TB.253 C/BOX, GROUP				
	284V7909	CABLE (F248), 4P TO C/BOX, GROUP .....	1	—		
	250V7909	CABLE (F250), 4P TO 8P, GROUP .....	1	—		
	251V7909	CABLE (F251), AT TB.101, GROUP .....	1	—		
	252V7909	CABLE (F252), 4P TO 7P/292, GROUP .....	1	—		
	255V7909	CABLE (F255), PRESSURE CONTROLLER ...	1	—		
		TO 4P, CABLE				
	257V7909	CABLE (F257), HORN TB.189 TO HORN .....	1	—		
		TB.190, GROUP				
	259V7909	CABLE (F259), TB.178 TO TB.179, GROUP ...	1	—		
	260V7909	CABLE (F260), VALVES "A" AND "B" .....	1	—		
		TO ABANDON A/C AND DECOMPRESSION				
		WARNING, GROUP				
	261V7909	CABLE (F261), PORT CONTROL UNIT .....	1	—		
		TO SUPP. CABIN EQUIPMENT, GROUP				
	265V7909	CABLE (F265), 1P TO 3P AND 4P, GROUP ...	1	—		
	267V7909	CABLE (F267), AT TB.197, GROUP .....	1	—		
	268V7909	CABLE (F258), 4P TO EARTH, GROUP .....	1	—		
	270V7909	CABLE (F270), CABIN TEMPERATURE .....	1	—		
		SENSING ELEMENT TO 4P, GROUP				
	271V7909	CABLE (F271), CABIN TEMPERATURE .....	1	—		
		SENSING ELEMENT TO 4P, GROUP				
	274V7909	CABLE (F274), GREEN SATIN BAY .....	1	—		
		EQUIPMENT, GROUP				
	275V7909	CABLE (F275), 7P/301 TO 4P, GROUP .....	1	—		

VULCAN Mk. 2

ELECTRICAL INSTALLATION  
CREW'S NACELLE

Page FG. 9

Ref. No.	Part No.	Description	No. off	Matl. Spec.	Cl. of St.	Plate and Illust'n No.
					M.R.	
		1 2 3 4				
	276V7909	CABLE, (F276), 4P TO MAIN ENTRANCE . . . . DOOR, GROUP	1	—		
	277V7909	CABLE, (F277), PILOT'S CANOPY TO . . . . . 4P, GROUP	1	—		
	282V7909	CABLE, (F282), 5P/248 TO 4P, GROUP . . . . .	1	—		
	284V7909	CABLE, (F284), 12P TO NAVIGATOR'S . . . . . STATION, GROUP	1	—		
	286V7909	CABLE, (F286), 3P TO EARTH, GROUP . . . . .	1	—		
	288V7909	CABLE, (F288), ABANDON A/C WARNING . . . LAMP TO 3P, GROUP	1	—		
	289V7909	CABLE, (F289), ABANDON A/C WARNING . . . LAMP TO TB.254, GROUP	1	—		
	308V7909	CABLE, (F308), AT TB.101, GROUP . . . . .	1	—		
	315V7909	CABLE, (F315), ABANDON A/C WARNING . . . LAMP TO TB.189, GROUP	1	—		
	332V7909	CABLE, (F332), THROTTLE BOX TO . . . . . PILOT'S PANEL BREAK, GROUP	1	—		
	333V7909	CABLE, (F333), THROTTLE BOX TO 3P, . . . . . GROUP	1	—		
	334V7909	CABLE, (F334), PILOT'S PANEL BREAK . . . . . TO 3P, GROUP	1	—		
	338V7909	CABLE, (F338), 5P/312 TO 3P, GROUP . . . . .	1	—		
	343V7909	CABLE, (F343), 9P/473 TO 4P, GROUP . . . . .	1	—		
	344V7909	CABLE, (F344), 4P TO SWITCH SELECTOR . . AND INDICATOR 9P, GROUP	1	—		
	346V7909	CABLE, (F346), 4P TO BOMB SPACING . . . . . UNIT 9P, GROUP	1	—		
	347V7909	CABLE, (F347), TB.185 TO EARTH, GROUP . .	1	—		
	350V7909	CABLE, (F350), 3P TO 4P, GROUP . . . . .	1	—		
	355V7909	CABLE, (F355), GROUP . . . . .	1	—		
	416V7909	CABLE, (F416), FUSE 593 TO No. 6 . . . . . CRASH SWITCH, GROUP	1	—		
	450V7909	CABLE, (F450), CABIN LAMP TO . . . . . SWITCH, GROUP	1	—		
	506V7909	CABLE, (F506), TB.264 TO No. 6 CRASH . . . . SWITCH, GROUP	1	—		

ELECTRICAL INSTALLATION  
CREW'S NACELLE

Ref. No.	Part No.	Description	No. off	Matl. Spec.	Cl. of	Plate and Illust'n No.
					St. M.R.	
		1 2 3 4				
	510V7909	CABLE, (F510), 4P TO CONTROL COLUMN, GROUP	1	—		
	640V7909	CABLE, (F640), CONTROL UNIT LAMP No. 1 TO PORT LAMPS, GROUP	1	—		
	641V7909	CABLE, (F641), CONTROL UNIT LAMP No. 2 TO PORT CENTRE LAMPS, GROUP	1	—		
	642V7909	CABLE, (F642), CONTROL UNIT LAMP No. 3 TO STARBOARD CENTRE LAMPS, GROUP	1	—		
	643V7909	CABLE, (F643), CONTROL UNIT LAMP No. 4 TO STARBOARD LAMPS, GROUP	1	—		
	644V7909	CABLE, (F644), CONTROL UNIT DIMMER SWITCHES TO NAV. PANEL, GROUP	1	—		
	645V7909	CABLE, (F645), CONTROL UNIT DIMMER SWITCHES TO NAV. PANEL, GROUP	1	—		
	646V7909	CABLE, (F646), 25P/341 TO CONTROL UNIT, BOMB SPACING UNIT AND 4P, GROUP	1	—		
	654V7909	CABLE, (F654), 25P/345 TO CONTROL UNIT, GROUP	1	—		
	666V7909	CABLE, (F666), RELAY 301 TO FAN MOTORS, GROUP	1	—		
	668V7909	CABLE, (F668), RELAY 302 TO EARTH, GROUP	1	—		
	674V7909	CABLE, (F674), RELAY 301 TO EARTH, GROUP	1	—		
	675V7909	CABLE, (F675), RELAY 302 TO EARTH, GROUP	1	—		
	689V7909	CABLE, (F689), 4P TO 7P AND SETTING POTENTIOMETER, GROUP	1	—		
	690V7909	CABLE, (F690), SETTING POTENTIOMETER 7P TO 4P, GROUP	1	—		
	721V7909	CABLE, (F721), TB.91 TO STABILISER SWITCH, GROUP	1	—		
	724V7909	CABLE, (F724), RELAY 295 TO TOP AUTO-PILOT SWITCH, GROUP (Pre-Mod. 2305 AND 2306)	1	—		
	725V7909	CABLE, (F725), RELAY 295 TO EARTH, GROUP	1	—		

VULCAN Mk. 2

ELECTRICAL INSTALLATION

CREW'S NACELLE

Ref. No.	Part No.	Description	No. off	Matl. Spec.	Cl. of St.	Plate and Illust'n No.
					M.R.	
		1 2 3 4				
	507V7909	CABLE (F507), R.P.B.182 TO 48P, GROUP ... (Mod. 778)	1	-		
	509V7909	CABLE (F509), R.P.B.161 TO 48P, GROUP ... (Mod. 778)	1	-		
	777V7909	CABLE (F777), 7P/305 TO 4P, GROUP .....	1	-		
	828V7909	CABLE (F828), 4P TO CABIN ENTRANCE .... DOOR, GROUP	1	-		
	829V7909	CABLE (F829), 4P TO CABIN ROOF, ..... GROUP	1	-		
	820V7909	CABLE (F830), 4P TO DIMMER SWITCH ..... AT NAVIGATOR'S PANEL, GROUP	1	-		
	831V7909	CABLE (F831), 4P TO NAVIGATOR'S ..... PANEL, GROUP (Mod. 1174)	1	-		
	832V7909	CABLE (F832), 4P TO NAVIGATOR'S ..... TABLE, GROUP	1	-		
	833V7909	CABLE (F833), TB's 220 AND 224 TO ..... INSPECTION LAMP, GROUP	1	-		
	834V7909	CABLE (F834), TB.220 TO SWITCH, GROUP ..	1	-		
	835V7909	CABLE (F835), 4P TO STARBOARD SEXTANT, GROUP	1	-		
	836V7909	CABLE (F836), TB.224 TO INSPECTION ..... LAMP, GROUP	1	-		
	838V7909	CABLE (F838), 4P TO EARTH, GROUP .....	1	-		
	839V7909	CABLE (F839), TB.220 TO SWITCH, GROUP ..	1	-		
	840V7909	CABLE (F840), 8P TO NAVIGATOR'S ..... PANEL, GROUP	1	-		
	841V7909	CABLE (F841), LAMP TO SWITCH AT ..... 8P, GROUP	1	-		
	842V7909	CABLE (F842), 4P TO STARBOARD ..... SEXTANT, GROUP	1	-		
	843V7909	CABLE (F843), 3P TO PORT SEXTANT, ..... GROUP	1	-		
	846V7909	CABLE (F846), ENTRANCE DOOR TO ..... NAVIGATOR'S PANEL, GROUP	1	-		
	847V7909	CABLE (F847), SWITCHES AT NAVIGATOR'S PANEL, GROUP	1	-		

## ELECTRICAL INSTALLATION

## CREW'S NACELLE

Ref. No.	Part No.	Description	No. off	Matl. Spec.	Cl. of	Plate and Illust'n No.
					St. M.R.	
		1 2 3 4				
	848V7909	CABLE, (F848), NAVIGATOR'S PANEL TO ... NAVIGATOR'S TABLE, GROUP	1	-		
	850V7909	CABLE, (F850), TB.875 AND SWITCH AT .... NAVIGATOR'S PANEL, GROUP	1	-		
	894V7909	CABLE, (F894), PERISCOPE HEATING TOP .. AND BOTTOM, GROUP (Mod. 1174)	1	-		
	898V7909	CABLE, (F898), STARBOARD OXYGEN PANEL TO 4P, GROUP	1	-		
	899V7909	CABLE, (F899), TB 266 TO EARTH, GROUP ..	1	-		
	912V7909	CABLE, (F912), SWITCH TO LAMP, ADJ. .... PORT SEXTANT, GROUP	1	-		
	925V7909	CABLE, (F925), 4P TO NAVIGATOR'S PANEL, GROUP	1	-		
	926V7909	CABLE, (F926), 4P TO NAVIGATOR'S PANEL, GROUP	1	-		
	930V7909	CABLE, (F930), CRASH SWITCH TO FUSE, ... 594, GROUP	1	-		
	999V7909	CABLE, (F999), SUPPRESSOR TO TB's 266 ... AND 276, GROUP	1	-		
	1000V7909	CABLE, (F1000), SUPPRESSOR TO TB.276 ... AND FUSE 666, GROUP	1	-		
	1001V7909	CABLE, (F1001), COMP. A AND B TO ..... SUPPRESSOR, GROUP	1	-		
1433184	1004V7909	CABLE, (F1004), 26J/486 TO BOMB AIMER'S . POSITION, GROUP	1	-		
	1005V7909	CABLE, (F1005), COMPUTER TO CONTROL . UNIT GYRO, GROUP	1	-		
1433648	1006V7909	CABLE, (F1006), CONTROL UNIT GYRO TO . SIGHTING HEAD, GROUP	1	-		
	1007V7909	CABLE, (F1007), CONTROL PANEL TO ..... SIGHTING HEAD, GROUP	1	-		
	1008V7909	CABLE, (F1008), CONTROL UNIT GYRO 3P .. AND 4P, GROUP	1	-		
	1009V7909	CABLE, (F1009), CONTROL PANEL TO 3P, .. GROUP	1	-		

ELECTRICAL INSTALLATION  
CREW'S NACELLE

Ref. No.	Part No.	Description	No. off	Matl. Spec.	Cl. of	Plate and Illust'n No.
					St. M.R.	
		1 2 3 4				
	101V7909	CABLE, (F1010), TB.276 TO EARTH, GROUP .	1	—		
17731	1011V7909	CABLE, (F1011), CONTROL UNITS TO ..... SUPPRESSOR, GROUP	1	—	C	
1433430	1012V7909	CABLE, (F1012), 26J/630 TO GREEN SATIN . INDICATORS, GROUP	1	—		
	1013V7909	CABLE, (F1013), 26J/631 TO GREEN SATIN . INDICATORS, GROUP	1	—		
	1014V7909	CABLE, (F1014), 3P TO 4P, GROUP .....	1	—		
	1016V7909	CABLE, (F1016), 1P/610 TO 4P, GROUP .....	1	—		
	1023V7909	CABLE, (F1023), DIMMER SWITCH TO ..... LAMP, GROUP	1	—		
	1077V7909	CABLE, (F1077), 9P/471 TO RPB. 477, GROUP	1	—		
	1079V7909	CABLE, (F1079), 9P/472 TO RPB. 476, GROUP	1	—		
	1089V7909	CABLE, (F1089), TB.225 TO EARTH AND .... 4P, GROUP	1	—		
	1091V7909	CABLE, (F1091), 9P/470 TO RPB. 478, GROUP	1	—		
	1093V7909	CABLE, (F1093), SPACING UNIT 9P TO ..... RPB. 145, GROUP	1	—		
	1124V7909	CABLE, (F1124), 3P TO CONTROL COLUMN . PORT, GROUP	1	—		
	1127V7909	CABLE, (F1127), 4P TO CONTROL COLUMN . STARBOARD, GROUP	1	—		
	1128V7909	CABLE, (F1128), MICRO SWITCHES TO ..... TB.277 AND FUSE 627, GROUP	1	—		
	1129V7909	CABLE, (F1129), 3P TO CONTROL COLUMN . PORT, GROUP	1	—		
	1149V7909	CABLE, (F1149), PORT CONSOLE RATION .. HEATER TO 3P, GROUP	1	—		
	1150V7909	CABLE, (F1150), STARBOARD CONSOLE ... RATION HEATER TO 3P, GROUP	1	—		
	1151V7909	CABLE, (F1151), PORT CONSOLE RATION .. HEATER TO EARTH, GROUP	1	—		

ELECTRICAL INSTALLATION  
CREW'S NACELLE

Ref. No.	Part No.	Description	No. off	Matl. Spec.	Cl. of	Plate and Illust'n No.
					St. M.R.	
		1 2 3 4				
	1152V7909	CABLE, (F1152), STARBOARD CONSOLE ... RATION HEATER TO EARTH, GROUP	1	—		
	1153V7909	CABLE, (F1153), 27P/9 TO 10P, GROUP .....	1	—		
	1156V7909	CABLE, (F1156), SIGNALLER'S RATION .... HEATER TO NAVIGATOR'S RATION HEATER, GROUP	1	—		
	1157V7909	CABLE, (F1157), NAVIGATOR'S RATION ... HEATER TO BOMB AIMER'S RATION HEATER, GROUP	1	—		
	1158V7909	CABLE, (F1158), BOMB AIMER'S RATION ... HEATER TO EARTH, GROUP	1	—		
	1162V7909	CABLE, (F1162), TB.274 TO EARTH, GROUP .	1	—		
	1193V7909	CABLE, (F1193), PORT CONTROL UNIT .....	1	—		
	1197V7909	CABLE, (F1197), STARBOARD CONTROL ... UNIT TO RPB.516, GROUP	1	—		
	1235V7909	CABLE, (F1235), FUEL FLOW TRANS- .....	1	—		
	1364V7909	CABLE, (F1364), CRASH SWITCH TO FUSE ... 497, GROUP	1	—		
	1443V7909	CABLE, (F1443), CRASH SWITCH TO FUSE .. 595, GROUP	1	—		
	1552V7909	CABLE, (F1552), GROUP (Pre-Mod. 748) .....	1	—		
	1554V7909	CABLE, (F1554), FPB. 288 TO 11P/425, .....	1	—		
	1555V/7909	CABLE, (F1555), FPB. 281 to 8P, GROUP .... (Mod. 1716)	1	—		
	1556V7909	CABLE, (F1556), 3P TO EARTH, GROUP .....	1	—		
	1558V7909	CABLE, (F1558), TB.91 TO SWITCH AT .....	1	—		
	1559V7909	CABLE, (F1559), TIME DELAY UNITS TO ... TB's 276 AND 280 AND RELAY 155, GROUP	1	—		
	1575V7909	CABLE, (F1575), 3P TO 4P, GROUP .....	1	—		

VULCAN Mk. 2

ELECTRICAL INSTALLATION  
CREW'S NACELLE

Page FG. 15

Ref. No.	Part No.	Description	No. off	Matl. Spec.	Cl. of St.	Plate and Illust'n No.
					M.R.	
		1 2 3 4				
	1590V7909	CABLE (F1590), 3P TO 4P, GROUP .....	1	-		
	1591V7909	CABLE (F1591), 24P/338 TO TORQUE SWITCH, GROUP (Pre-Mod. 1581) .....	1	-		
	1609V7909	CABLE (F1609), ABANDON A/C RED LAMP TO TB.189, GROUP .....	1	-		
	1610V7909	CABLE (F1610), MICRO SWITCHES AT MAIN DOOR, GROUP .....	1	-		
	1611V7909	CABLE (F1611), MICRO SWITCH AND RED LAMP, MAIN DOOR EQUIPMENT, GROUP .....	1	-		
	1612V7909	CABLE (F1612), RED LAMP AND GREEN LAMP, MAIN DOOR EQUIPMENT, GROUP .....	1	-		
	1613V7909	CABLE (F1613), DOOR MICRO SWITCH TO GREEN WARNING LAMP, GROUP .....	1	-		
	1635V7909	CABLE (F1635), THROTTLE BOX PEDESTAL TO 4P, GROUP .....	1	-		
	1636V7909	CABLE (F1636), THROTTLE BOX PEDESTAL TO 3P, GROUP (Pre-Mod. 2305 AND 2306) .....	1	-		
	1672V7909	CABLE (F1672), TORQUE SWITCH TO RECTIFIER, GROUP .....	1	-		
	1673V7909	CABLE (F1673), RECTIFIER TO EARTH, GROUP .....	1	-		
	1714V7909	CABLE (F1714), 4P TO MANUAL DECOMPRESSION LEVER MICRO SWITCH, GROUP .....	1	-		
	1715V7909	CABLE (F1715), SCANNER ROTATION SWITCH TO TB.91, GROUP .....	1	-		
	1723V7909	CABLE (F1723), FUSE 901 TO No. 6 TRANSFORMER, GROUP .....	1	-		
	1724V7909	CABLE (F1724), FUSE 902 TO No. 2 TRANSFORMER, GROUP .....	1	-		
	1726V7909	CABLE (F1726), FUSE 904 TO No. 1 TRANSFORMER, GROUP .....	1	-		
	1728V7909	CABLE (F1728), RELAY 136 TO RELAY 177, GROUP .....	1	-		
	1730V7909	CABLE (F1730), HEATERS TO No. 6 TRANSFORMER, GROUP .....	1	-		

ELECTRICAL INSTALLATION

CREW'S NACELLE

Ref. No.	Part No.	Description				No. off	Matl. Spec.	Cl. of St.	Plate and Illust'n No.
		1	2	3	4			M.R.	
12931	1731V7909	CABLE (F1731), HEATERS TO No. 2 TRANSFORMER, GROUP				1	-		
	1733V7909	CABLE (F1733), HEATERS TO No. 1 TRANSFORMER, GROUP				1	-		
	1762V7909	CABLE (F1762), No. 1 JET PIPE TEMP. INDICATOR TO 3P, GROUP				1	-		
	1763V7909	CABLE (F1763), No. 2 JET PIPE TEMP. INDICATOR TO 3P, GROUP				1	-		
	1764V7909	CABLE (F1764), No. 3 JET PIPE TEMP. INDICATOR TO 4P, GROUP				1	-		
	1765V7909	CABLE (F1765), No. 4 JET PIPE TEMP. INDICATOR TO 4P, GROUP (Pre-Mod. 1174)				1	-		
	1773V7909	CABLE (F1773), RELAY 177 TO EARTH, GROUP (Pre-Mod. 1174)				1	-		
	1774V7909	CABLE (F1774), RELAY 177 TO FUSE 206, GROUP (Pre-Mod. 1174)				2	-		
	1776V7909	CABLE (F1776), RELAY 177 TO B/B RED, YELLOW AND BLUE, GROUP				1	-		
	1778V7909	CABLE (F1778), CUT-OUT SWITCHES 2 AND 3 TO COMP. A AND B, GROUP				1	-		
	1779V7909	CABLE (F1779), 25P/344 TO 72P/654, GROUP				1	-		
	1780V7909	CABLE (F1780), 24P/344 TO 71P/650, GROUP (Pre-Mods. 1174 and 1320)				1	-		
	1781V7909	CABLE (F1781), 12P TO 3P AND 4P, GROUP				1	-		
	1786V7909	CABLE (F1786), 71P/652 TO TB.1164 AND MONITOR UNIT, GROUP (Mod. 1716)				1	-	C	
	1787V7909	CABLE (F1787), 72P/656 TO TB.1163, JUNCTION BOX, AND MONITOR UNIT, GROUP				1	-		
	1788V7909	CABLE (F1788), 72P/657 TO JUNCTION BOX, GROUP				1	-		
1789V7909	CABLE (F1789), 71P/653 TO JUNCTION BOX, GROUP (Pre-Mod. 2214)				1	-			
1809V7909	CABLE (F1809), No. 1 TRANSFORMER EARTH, GROUP				1	-			

VULCAN Mk. 2

## ELECTRICAL INSTALLATION

Page FG. 17

## CREW'S NACELLE

Ref. No.	Part No.	Description				No. off	Matl. Spec.	Cl. of St.	Plate and Illust'n No.
		1	2	3	4			M.R.	
	1810V7909	CABLE, (F1810), No. 2 TRANSFORMER TO EARTH, GROUP				1	—		
	1811V7909	CABLE, (F1811), No. 6 TRANSFORMER TO EARTH, GROUP				1	—		
	1815V7909	CABLE, (F1815), No. 1 TRANSFORMER TO FUSE 994, GROUP				1	—		
	1816V7909	CABLE, (F1816), No. 2 TRANSFORMER TO FUSE 992, GROUP				1	—		
	1817V7909	CABLE, (F1817), No. 6 TRANSFORMER TO FUSE 991, GROUP				1	—		
	1819V7909	CABLE, (F1819), RACK MOUNTING R19 TO EARTH, 25P AND 48P, GROUP				1	—		
	1820V7909	CABLE, (F1820), RACK MOUNTING R10 TO TORQUE SWITCH, RELAY 295 AND EARTH, GROUP				1	—		
	1822V7909	CABLE, (F1822), BOMB AIMER'S CONTROL TO TB. 854, GROUP				1	—		
	1843V7909	CABLE, (F1843), RELAY 301 TO RELAY 302, GROUP				1	—		
	1851V7909	CABLE, (F1851), HEATER SWITCH TO RELAY 302, GROUP				1	—		
	1855V7909	CABLE, (F1855), AT HEATER DUCT, GROUP				1	—		
	1856V7909	CABLE, (F1856), HEATER DUCT TO 3P, GROUP				1	—		
	1857V7909	CABLE, (F1857), TB. 271 TO RELAY 301, GROUP				1	—		
	1859V7909	CABLE, (F1859), TB. 257 TO No 1 CRASH SWITCH, GROUP				1	—		
	1863V7909	CABLE, (F1863), RELAY 302 TO RECTIFIER, GROUP				1	—		
	1864V7909	CABLE, (F1864), RELAY 302 TO RECTIFIER, GROUP				1	—		
	1869V7909	CABLE, (F1869), RELAYS 147, 148, 149 AND 150 TO TB's 285, 286, 288 AND FUSE 929, GROUP				1	—		
	1870V7909	CABLE, (F1870), No. 1 CRASH SWITCH TO EARTH, GROUP				1	—		

**ELECTRICAL INSTALLATION  
CREW'S NACELLE**

Ref. No.	Part No.	Description				No. off	Mati. Spec.	Cl. of	Plate and Illust'n No.
		1	2	3	4			St. M.R.	
	1880V7909	CABLE, (F1880), 9P TO 4P, GROUP ...				1	—		
	1881V7909	CABLE, (F1881), 9P TO 4P, GROUP ...				1	—		
	1882V7909	CABLE, (F1882), RED INDICATOR LAMP TO EARTH, GROUP				1	—		
	1883V7909	CABLE, (F1883), TB. 185 TO TB's 176 AND 187, GROUP				1	—		
	1888V7909	CABLE, (F1888), TRIM SWITCH TO 4P, GROUP				1	—		
	1889V7909	CABLE, (F1889), RELAY 360 TO RELAYS 361 AND 362, GROUP				1	—		
	1893V7909	CABLE, (F1893), RELAY 360 TO RELAY 361, GROUP				1	—		
	1894V7909	CABLE, (F1894), RELAY 361 TO RELAY 362, GROUP				1	—		
	1934V7909	CABLE, (F1934), AT RELAY 360, GROUP				1	—		
	1935V7909	CABLE, (F1935), AT RELAY 361, GROUP				1	—		
	1936V7909	CABLE, (F1936), AT RELAY 362, GROUP				1	—		
	1937V7909	CABLE, (F1937), RELAY 360 TO EARTH, GROUP				1	—		
	1938V7909	CABLE, (F1938), AT RELAY 360, GROUP				1	—		
	1939V7909	CABLE, (F1939), RELAY 361 TO EARTH, GROUP				1	—		
	1940V7909	CABLE, (F1940), AT RELAY 362, GROUP				1	—		
	1960V7909	CABLE, (F1960), MONITOR UNIT TO DATUM UNIT, GROUP				1	—		
	1961V7909	CABLE, (F1961), MONITOR UNIT TO DATUM UNIT, GROUP				1	—		
	1962V7909	CABLE, (F1962), MONITOR UNIT TO DATUM UNIT, GROUP				1	—		
	1963V7909	CABLE, (F1963), MONITOR UNIT TO DATUM UNIT, GROUP				1	—		
	1964V7909	CABLE, (F1964), TRANSMITTING MACH. UNIT TO DATUM UNIT, GROUP				1	—		

ELECTRICAL INSTALLATION

CREW'S NACELLE

Ref. No.	Part No.	Description				No. off	Matl. Spec.	Cl. of St.	Plate and Illust'n No.
		1	2	3	4			M.R.	
	1965V7909	CABLE (F1965), TRANSMITTER MACH. . . . . UNIT TO DATUM UNIT, GROUP				1	—		
	1998V7909	CABLE (F1998), 11P/3 TO EARTH, GROUP				1	—		
	1999V7909	CABLE (F1999), 11P/3 TO EARTH, GROUP				1	—		
	2001V7909	CABLE (F2001), 11P/2 TO EARTH, GROUP				1	—		
	2002V7909	CABLE (F2002), 11P/2 TO EARTH, GROUP				1	—		
	2038V7909	CABLE (F2038), RELAY 147 TO RELAY . . . . . 148, GROUP				1	—		
	2039V7909	CABLE (F2039), RELAY 147 TO RELAY . . . . . 148, GROUP				1	—		
	2040V7909	CABLE (F2040), RELAY 147 TO RELAY . . . . . 148, GROUP				1	—		
	2041V7909	CABLE (F2041), RELAY 147 TO RELAY . . . . . 148, GROUP				1	—		
	2042V7909	CABLE (F2042), RELAY 148 TO RELAY . . . . . 149, GROUP				1	—		
	2043V7909	CABLE (F2043), RELAY 148 TO RELAY . . . . . 149, GROUP				1	—		
	2044V7909	CABLE (F2044), RELAY 149 TO RELAY . . . . . 150, GROUP				1	—		
	2045V7909	CABLE (F2045), RELAY 149 TO RELAY . . . . . 150, GROUP				1	—		
	2046V7909	CABLE (F2046), RELAY 149 TO RELAY . . . . . 150, GROUP				1	—		
22524	2047V7909	CABLE (F2047), RELAY 149 TO RELAY . . . . . 150, GROUP				1	—	C	
	2093V7909	CABLE (F2093), AT ALTIMETER TYPE 'A', . . . . . GROUP				1	—		
	2096V7909	CABLE (F2096), SYNCHRONIZED . . . . . MONITOR UNIT TO 3P, GROUP				1	—		
	2163V7909	CABLE (F2163), TB.1163 TO TB.1164, . . . . . GROUP				1	—		
	2165V7909	CABLE (F2165), 34J/660 TO TB.1163, . . . . . GROUP				1	—		

ELECTRICAL INSTALLATION

CREW'S NACELLE

Ref. No.	Part No.	Description	No. off	Matl. Spec.	Cl. of St.	Plate and Illust'n No.
					M.R.	
1432875	2171V7909	CABLE (F2171), I.L.S. JUNCTION BOX . . . . . TO COMPUTOR UNIT, GROUP	1	—		
	2183V7909	CABLE (F2183), MONITOR UNIT TO . . . . . JUNCTION BOX, GROUP	1	—		
	2184V7909	CABLE (F2184), MONITOR UNIT TO . . . . . JUNCTION BOX, GROUP	1	—		
	2198V7909	CABLE (F2198), PLUG 'A' TO TB.764 . . . . . AND EARTH, GROUP (Pre-Mod. 908)	1	—		
	2199V7909	CABLE (F2199), RELAY 197 TO EARTH, . . . . . GROUP	1	—		
	2201V7909	CABLE (F2201), TB.595 TO RELAY 198, . . . . . GROUP	1	—		
	2202V7909	CABLE (F2202), PLUG 'A' TO TB.595 . . . . . AND EARTH, GROUP	1	—		
	2203V7909	CABLE (F2203), RELAY 198 TO EARTH, . . . . . GROUP	1	—		
	2204V7909	CABLE (F2204), RELAY 197 TO CB.30-2 . . . . . AT 3P, GROUP	1	—		
	2205V7909	CABLE (F2205), RELAY 198 TO CB.18-2 . . . . . AT 4P, GROUP	1	—		
	2206V7909	CABLE (F2206), RELAY 198 TO SUP- . . . . . PRESSOR, GROUP	1	—		
	2208V7909	CABLE (F2208), RELAY A2 TO SUPPRESSOR, GROUP	1	—		
	2209V7909	CABLE (F2209), SUPPRESSOR TO EARTH, . . . . . GROUP	1	—		
	2210V7909	CABLE (F2210), TB.182 TO TB.255, GROUP . . . . .	1	—		
	2214V7909	CABLE (F2214), 7P TO 4P, GROUP . . . . .	1	—		
	2215V7909	CABLE (F2215), 7P TO EARTH, GROUP . . . . .	1	—		
	2217V7909	CABLE (F2217), 8P TO EARTH, GROUP . . . . .	1	—		
	2222V7909	CABLE (F2222), 6P TO 3P, GROUP . . . . .	1	—		
2223V7909	CABLE (F2223), 6P TO EARTH, GROUP . . . . .	1	—			
2226V7909	CABLE (F2226), TP.595 TO FUSE 531 AT . . . . . 4P, GROUP	1	—			

VULCAN Mk. 2

ELECTRICAL INSTALLATION  
CREW'S NACELLE

Page FG. 21

Ref. No.	Part No.	Description	No. off	Matl. Spec.	Cl. of St.	Plate and Illust'n No.
					M.R.	
		1 2 3 4				
	2235V7909	CABLE, (F2235), DIMMER SWITCH TO TB. 298, GROUP	1	—		
	2236V7909	CABLE, (F2236), TB. 298 TO EARTH, GRP. ....	1	—		
	2239V7909	CABLE, (F2239), TB. 1520 TO EARTH, GRP. ....	1	—		
	2289V909	CABLE, (F2289), AT OVER-RIDE ..... SWITCHES, GROUP	1	—		
	2290V7909	CABLE, (F2290), OVER-RIDE SWITCH TO ..... GOVERNOR SWITCH, GROUP	1	—		
	2291V7909	CABLE, (F2291), THROTTLE PEDESTAL TO 4P, GROUP	1	—		
	2296V7909	CABLE, (F2296), WATT METER TO RESISTOR BOX, GROUP	1	—		
	2297V7909	CABLE, (F2297), VARS. SWITCH TO RESISTOR BOX, GROUP	1	—		
	2299V7909	CABLE, (F2299), GROUP .....	1	—		
	2304V7909	CABLE, (F2304), AT RESISTOR BOXES, GROUP	1	—		
	2305V7909	CABLE, (F2305), AT RESISTORBOXES, ADJ. 10P, GROUP	1	—		
	2306V7909	CABLE, (F2306), AT RESISTOR BOXES, ADJ. 10P, GROUP	1	—		
	2307V7909	CABLE, (F2307), AT RESISTOR BOXES, ADJ. 10P, GROUP	1	—		
	2308V7909	CABLE, (F2308), AT RESISTOR BOXES, ADJ. 10P, GROUP	1	—		
	2309V7909	CABLE, (F2309), AT RESISTOR BOXES, ADJ. 10P, GROUP	1	—		
	2310V7909	CABLE, (F2310), AT RESISTOR BOXES, ADJ. 10P, GROUP	1	—		
	2311V7909	CABLE, (F2311), AT RESISTOR BOXES, ADJ. 20P, GROUP	1	—		
	2312V7909	CABLE, (F2312), AT RESISTOR BOXES, ADJ. 10P, GROUP	1	—		
	2313V7909	CABLE, (F2313), WATT METER TO RESISTOR BOX ADJ. 10P, GROUP	1	—		
	2314V7909	CABLE, (F2314), WATT METER TO RESISTOR BOX ADJ. 10P, GROUP	1	—		

ELECTRICAL INSTALLATION  
CREW'S NACELLE

Ref. No.	Part No.	Description	No. off	Matl. Spec.	Cl. of St.	Plate and Illust'n No.
					M.R.	
		1 2 3 4				
	2315V7909	CABLE, (F2315), RESISTOR BOX TO ..... TB.253, GROUP	1	—		
	2318V7909	CABLE, (F2318), TB.1518 TO TB.1524, ..... GROUP	1	—		
	2319V7909	CABLE, (F2319), TB.1520 TO TB.1524, ..... GROUP	1	—		
	2365V7909	CABLE, (F2365), 24P/332 TO 4P, GROUP ....	1	—		
	2374V7909	CABLE, (F2374), BOMB SIGHT AMPLIFIER .. TO INDICATOR, GROUP (Mod. 766)	1	—	MR	
	2394V7909	CABLE, (F2394), 75P TO RELAY 631, ..... GROUP (Mod. 569) (Pre-Mod. 2304)	1	—		
	2396V7909	CABLE, (F2396), RELAY 631 TO 81P, ..... GROUP (Mod. 569) (Pre Mod. 2304)	1	—		
	2397V7909	CABLE, (F2397), AT RELAY 631, GROUP .... (Mod. 569) (Pre-Mod. 2304)	1	—		
	2426V7909	CABLE, (F2426), 81P TO EARTH, GROUP .... (Mod. 569)	1	—		
	2427V7909	CABLE, (F2427), 3P TO TB.681, GROUP ..... (Mod. 569)	1	—		
	2437V7909	CABLE, (F2437), RELAY 631 TO EARTH, ..... GROUP (Mod. 569) (Pre-Mod. 2304)	1	—		
	2438V7909	CABLE, (F2438), 4P TO TB.681, GROUP ..... (Mod. 569)	1	—		
	2461V7909	CABLE, (F2461), 87P TO IJ/13, GROUP ..... GROUP	1	—		
	2492V7909	CABLE, (F2492), CONTROL COLUMN, ..... PORT TO 3P, GROUP	1	—		
	2493V7909	CABLE, (F2493), CONTROL COLUMN, ..... PORT TO CONTROL COLUMN, STARBOARD, GROUP	1	—		
	2498V7909	CABLE, (F2498), SWITCH TO TB.810, ..... GROUP	1	—		
	2499V7909	CABLE, (F2499), DIMMER SWITCH TO ..... TB.207, GROUP	1	—		
	2500V7909	CABLE, (F2500), DIMMER SWITCH TO ..... LAMP, GROUP	1	—		
	2501V7909	CABLE, (F2501), DIMMER SWITCH TO ..... EARTH, GROUP	1	—		

VULCAN Mk. 2

ELECTRICAL INSTALLATION  
CREW'S NACELLE

Page FG. 23

Ref. No.	Part No.	Description	No. off	Matl. Spec.	Cl. of St.	Plate and Illust'n No.
					M.R.	
		1 2 3 4				
	2507V7909	CABLE, (F2507), PLUG BREAK TO TB.1525, . . . GROUP	1	—		
	2508V7909	CABLE, (F2508), R.M. 10 TO TB.1525, GROUP	1	—		
	2509V7909	CABLE, (F2509), TB.1525 TO EARTH, GROUP	1	—		
	2534V7909	CABLE, (F2534), 1st PILOT'S SEAT TO . . . . . THERMISTOR HEAT DUCT, GROUP	1	—		
	2535V7909	CABLE, (F2535), 2nd PILOT'S SEAT TO . . . . . THERMISTOR HEAT DUCT, GROUP	1	—		
	2536V7909	CABLE, (F2536), No. 6 TRANSFORMER AT . . THERMISTOR HEAT DUCT, GROUP	1	—		
	2564V7909	CABLE, (F2564), A.M.U. TO SUPPRESSOR, . . . GROUP	1	—		
	2565V7909	CABLE, (F2565), A.M.I. TO SUPPRESSOR, . . . GROUP	1	—		
	2577V7909	CABLE, (F2577), ENTRANCE DOOR TO . . . . . EMERGENCY DOOR SWITCH, GROUP (Mod. 624)	1	—		
	2578V7909	CABLE, (F2578), EMERGENCY DOOR . . . . . SWITCH TO 3P, GROUP (Mod. 624)	1	—		
	2579V7909	CABLE, (F2597), A.A.P.P. BAY TO 16P, . . . . . GROUP	1	—		
	2605V7909	CABLE, (F2605), PLUG 532 TO NAVI- . . . . . GATOR'S SEAT HEATER, GROUP	1	—		
	2609V7909	CABLE, (F2609), PLUG 534 TO BOMB . . . . . AIMER'S SEAT HEATER, GROUP	1	—		
	2617V7909	CABLE, (2617), 9P/804 TO R.P.B. 805, . . . . . GROUP	1	—		
	2619V7909	CABLE, (F2619), 9P/802 TO R.P.B. 801 AND . . R.P.B. 824, GROUP	1	—		
	2620V7909	CABLE, (F2620), 9P/800 TO R.P.B. 799, GROUP	1	—		
	2621V7909	CABLE, (F2621), 9P/798 TO R.P.B. 797, GROUP	1	—		
	2622V7909	CABLE, (F2622), 9P/795 TO R.P.B. 796, GROUP	1	—		
	2623V7909	CABLE, (F2623) 9P/808 TO R.P.B. GROUP . . .	1	—		
	2624V7909	CABLE, (F2624) 9P/810 TO 24P/337, GROUP .	1	—		

ELECTRICAL INSTALLATION  
CREW'S NACELLE

Ref. No.	Part No.	Description	No. off	Matl. Spec.	Cl. of St.	Plate and Illust'n No.
					M.R.	
		1 2 3 4				
	2625V7909	CABLE, (F2625) 9P/811 TO 25P/347, ..... GROUP (Pre-Mod. 2300)	1	-		
	9937V7909	CABLE, GROUP (Mod. 2300) .....	1	-		
	2689V7909	CABLE, (F2689), TB.875 TO BOMB AIMER'S DIMMER SWITCH, GROUP	1	-		
	2690V7909	CABLE, (F2690), 4P TO NAV. PLOTTER'S ... DIMMER SWITCH, GROUP	1	-		
	2693V7909	CABLE, (F2693), 4P TO TB.1569, GROUP .... (Mod. 628)	1	-		
	2694V7909	CABLE, (F2694), TB.1569 TO EARTH, ..... GROUP (Mod. 628)	1	-		
	2695V7909	CABLE, (F2695), 3P TO TB.1568, GROUP .... (Mod. 628)	1	-		
	2696V7909	CABLE, (F2696), TB.1568 TO EARTH, ..... GROUP (Mod. 628)	1	-		
	2704V7909	CABLE, (F2704), THROTTLE TEST SWITCH .. TO EARTH, GROUP (Mod. 1649)	1	-		
	2712V7909	CABLE, (F2712), TB.1714 TO RECTIFIER, ... GROUP (Mod. 1649)	1	-		
	2715V7909	CABLE, (F2715), TB.1715 TO TB.1715, ..... GROUP (Mod. 1649)	1	-		
	2716V7909	CABLE, (F2716), TB.1714 TO EARTH, ..... GROUP (Mod. 1649)	1	-		
	2757V7909	CABLE, (F2757), AT RELAY 548, GROUP ....	1	-		
	2759V7909	CABLE, (F2759) E.Y. CONTROL, T. .... DELIVERY TO PORT T. DELIVERY, GROUP	1	-		
	2760V7909	CABLE, (F2760) E.Y. CONTROL T. .... DELIVERY TO STARBOARD T. DELIVERY, GROUP	1	-		
	2786V7909	CABLE, (F2786) 4P TO TB.1533, GROUP ..... (Mod. 687)	1	-		
	2787V7909	CABLE, (F2787), TB.1533 TO EARTH, ..... GROUP (Mod. 687)	1	-		
	2788V7909	CABLE, (F2788), 4P TO TB.1534, GROUP .... (Mod. 687)	1	-		
	2789V7909	CABLE, (F2789), TB.1534 TO 4P, GROUP .... (Mod. 687)	1	-		
	2790V7909	CABLE, (F2790), OXYGEN INDICATOR ..... TO EARTH, GROUP (Mod. 687)	1	-		
	2791V7909	CABLE, (F2791), 3P TO TB.1570, GROUP .... (Mod. 687)	1	-		
	2792V7909	CABLE, (F2792), 3P TO TB.1570, GROUP .... (Mod. 687)	1	-		
	2793V7909	CABLE, (F2793), SEXTON, PORT SIDE ..... TO TB.1570, GROUP (MOD. 687)	1	-		
	2794V7909	CABLE, (F2794), SEXTON, PORT SIDE ..... TO TB.1570, GROUP (Mod. 687)	1	-		
	2795V7909	CABLE, (F2795), AT SWITCHES, GROUP .... (Mod. 748)	1	-		

ELECTRICAL INSTALLATION

CREW'S NACELLE

Ref. No.	Part No.	Description	No. off	Matl. Spec.	Cl. of St.	Plate and Illust'n No.
					M.R.	
		1 2 3 4				
	2796V7909	CABLE (F2796), 3P TO FIN GAP DOORS, . . . .	1	-		
		GROUP (Mod. 748)				
	2797V7909	CABLE (F2797), 3P TO EMERGENCY FIN . . . .	1	-		
		GAP DOORS, GROUP (Mod. 748)				
	2821V7909	CABLE (F2821), FIN GAP DOOR INDICATOR	1	-		
		TO DECOMPRESSION WARNING LAMP,				
		GROUP (Mod. 748)				
	2823V7909	CABLE (F2823), N.C.B. INDICATOR TO . . . . .	1	-		
		N.C.B. SWITCH, GROUP (Mod. 715)				
	2825V7909	CABLE (F2825), REFRIGERATION STOP . . . .	1	-		
		AND START, GROUP (Mod. 748)				
	2843V7909	CABLE (F2843), SCANNER STABILISER . . . .	1	-		
		SWITCH, GROUP				
	2844V7909	CABLE (F2844), SCANNER STABILISER . . . .	1	-		
		SWITCH, GROUP				
	2845V7909	CABLE (F2845), SCANNER STABILISER . . . .	1	-		
		SWITCH, GROUP				
	2122V7909	CABLE (F2122), PILOT'S PANEL BREAK . . . .	1	-		
		233 TO CONTROL PANEL, GROUP				
		(Pre-Mod. 730)				
	2851V7909	CABLE (F2851), PILOT'S PANEL BREAK . . . .	1	-		
		233 TO CONTROL PANEL, GROUP				
		(Mod. 730)				
	2886V7909	CABLE (F2886), AT TB.875, GROUP . . . . .	1	-		
		(Mod. 734)				
	2887V7909	CABLE (F2887), NAV. PLOTTER'S DIMMER .	1	-		
		SWITCH, GROUP (Mod. 734)				
	2888V7909	CABLE (F2888), NAV. PLOTTER TO . . . . .	1	-		
		A.E.O.'s POSITION, GROUP (Mod. 734)				
	2889V7909	CABLE (F2898), A.E.O.'s POSITION TO . . . . .	1	-		
		TB.875, GROUP (Mod. 734)				
	2913V7909	CABLE (F2913), SCANNER SWITCH LINK, . . .	1	-		
		GROUP (Mod. 715)				
	2924V7909	CABLE (F2924), N.B.S. INDICATOR TO . . . . .	1	-		
		EARTH, GROUP (Mod. 715)				
	2925V7909	CABLE (F2925), H.2S INDICATOR TO . . . . .	1	-		
		EARTH, GROUP (Mod. 715)				
	2932V7909	CABLE (F2932), RESET SWITCH TO . . . . .	1	-		
		MASTER SWITCH, GROUP (Mod. 748)				
	2933V7909	CABLE (F2933), AT MASTER SWITCH . . . . .	1	-		
		GROUP (Mod. 748)				
	2944V7909	CABLE (F2944), JUNCTION BOX TO . . . . .	1	-		
		INERTIA NAV. CONTROL UNIT, GROUP				
		(Mod. 748)				
	2952V7909	CABLE (F2952), 12P TO 11P/2, GROUP . . . . .	1	-		
		(Mod. 748)				
	2975V7909	CABLE (F2975), 3P TO T.C.U. DIMMER . . . . .	1	-		
		SWITCH, GROUP (Mod. 805)				
	2976V7909	CABLE (F2976), T.C.U.10 TO TB.1160 AND . .	1	-		
		T.C.U. DIMMER SWITCH, GROUP				
		(Pre-Mod. 980)				

ELECTRICAL INSTALLATION  
CREW'S NACELLE

Ref. No.	Part No.	Description	No. off	Matl. Spec.	Cl. of	Place and Illust'n No.
					St. M.R.	
		1 2 3 4				
	3011V7909	CABLE (F3011), 48P/467 TO TB's 716 AND ... 1525, GROUP (Mod. 778)	1	-		
	3023V7909	CABLE (F3023), 4P TO THROTTLE BOX, ... GROUP	1	-		
	3095V7909	CABLE (F3095), NAV. PLOTTER'S INDICA- ... TOR TO EARTH, GROUP (Mod. 748)	1	-		
	3096V7909	CABLE (F3096), A E O's INDICATOR TO ... EARTH, GROUP (Mod. 748)	1	-		
	3097V7909	CABLE (F3097), RADAR NAV INDICATOR ... TO EARTH, GROUP (Mod. 748)	1	-		
	3109V7909	CABLE (F3109), HEATER, 1st PILOT to ... CONTROL UNIT No. 1, GROUP (Mod. 923)	1	-		
	3110V7909	CABLE (F3110), HEATER, 2nd PILOT TO ... CONTROL UNIT No. 2, GROUP (Mod. 923)	1	-		
	3111V7909	CABLE (F3111), HEATER, PILOT'S FLOOR ... TO CONTROL UNIT No. 6, GROUP (Mod. 923)	1	-		
	3114V7909	CABLE (F3114), 24P/335 TO T A U. ... CONTROL PANEL, GROUP (Mod. 863)	1	-		
	3117V7909	CABLE (F3117), 7P/299 TO 4P, GROUP ... (Mod. 825)	1	-		
	3121V7909	CABLE (F3121), CONTROL COLUMN ... BREAK STARBOARD TO 4P, GROUP	1	-		
	3122V7909	CABLE (F3122), CONTROL COLUMN ... BREAK PORT TO 3P, GROUP (Mod. 980)	1	-		
	3124V7909	CABLE (F3124), R P B 272 TO GYRO, 3P, ... AIRSPEED DETECTION INDICATOR CONTROL BREAK, PORT, GROUP (Mod. 980)	1	-		
	3125V7909	CABLE (F3125), R P B 274 TO GYRO, 3P, ... AIRSPEED DETECTION INDICATOR AND CONTROL BREAK, STARBOARD, GROUP (Mod. 980)	1	-		
	3126V7909	CABLE (F3126), 3P TO A.E O's POSITION, ... GROUP (Mod. 980)	-			
	3138V7909	CABLE (F3138), NAVIGATOR'S STATION ... TO EARTH, GROUP (Mod. 980)	1	-		
	3139V7909	CABLE (F3139), T C U. DIMMER SWITCH ... TO TB.1158, GROUP (Mod. 980)	1	-		
	3140V7909	CABLE (F3140), TEST METER TO TB.1158, ... GROUP (Pre-Mod. 2263)	1	-		

VULCAN Mk. 2

## ELECTRICAL INSTALLATION

Page FG. 27

## CREW'S NACELLE

Ref. No.	Part No.	Description	No. off	Matl. Spec.	Cl. of	Plate and Illust'n No.
					St. M.R.	
		1 2 3 4				
	3152V7909	CABLE (F3152), CONTROL COLUMN ..... BREAK, PORT TO 3P, GROUP (Mod. 908)	1	—		
	3153V7909	CABLE (F3153), CONTROL COLUMN ..... BREAK, PORT TO 1P, PORT, GROUP (Mod. 908)	1	—		
	3172V7909	CABLE (F3172), 3P TO INTERCOM. R/T ..... PANEL, GROUP (Mod. 950)	1	—		
	3173V7909	CABLE (F3173), HEATER, 1st PILOT'S ..... TO EARTH, GROUP (Mod. 923)	1	—		
	3174V7909	CABLE (F3174), HEATER, 2nd PILOT'S ..... TO EARTH, GROUP (Mod. 923)	1	—		
	3175V7909	CABLE (F3175), HEATER, PILOT'S FLOOR .. TO EARTH, GROUP (Mod. 923)	1	—		
	3176V7909	CABLE (F3176), HEATER, A.E.O's TO ..... EARTH, GROUP (Mod. 923)	1	—		
	3177V7909	CABLE (F3177), HEATER, NAVIGATOR'S ... TO EARTH, GROUP	1	—		
	3178V7909	CABLE (F3178), HEATER, BOMB AIMER'S ... TO EARTH, GROUP (Mod. 923)	1	—		
	3189V7909	CABLE (F3189), JUNCTION BOX RM.23 ..... TO R.P.B.273, GROUP (Mod. 980)	1	—		
	3198V7909	CABLE (F3198), E.P.C.U. SWITCH TO ..... HOME INDICATOR, GROUP (Pre-Mod. 1174)	1	—		
	3214V7909	CABLE (F3214), 12P TO 11P, GROUP ..... (Mod. 972)	1	—		
	3220V7909	CABLE (F3220), 75P TO 11P, GROUP ..... GROUP (Mod. 980) (Pre-Mod. 2375)	1	—		
	3228V7909	CABLE (F3228), THROTTLE BOX TO ..... CONTROL COLUMN BREAK, PORT, GROUP (Mod. 980) (Pre-Mod. 2375)	1	—		
	3229V7909	CABLE (F3229), THROTTLE BOX TO ..... CONTROL COLUMN BREAK, STARBOARD, GROUP (Mod. 980) (Pre-Mod. 2375)	1	—		
	3258V7909	CABLE (F3258), 100P TO TB's 1183 AND .... 1184, GROUP (Pre-Mod. 2143)	1	—		
	3259V7909	CABLE (F3259), 100P TO TB's 1183 AND .... 1184, GROUP (Mod. 969)	1	—		
	3260V7909	CABLE (F3260), 100P TO TB's 1181, 1182, ... GROUP (Pre-Mod. 2143)	1	—		
	3261V7909	CABLE (F3261), 100P TO TB's 1181, 1182, ... GROUP (Mod. 969)	1	—		

## ELECTRICAL INSTALLATION

## CREW'S NACELLE

Ref. No.	Part No.	Description	No. off	Matl. Spec.	Cl. of St.	Plate and Illust'n No.
					M.R.	
		1 2 3 4				
	3262V7909	CABLE (F3262), 100P TO 4P AND CABIN, . . . . GROUP (Mod. 969)	1	-		
	3263V7909	CABLE (F3263), 100P TO TB's 1185 AND . . . . 1186, GROUP (Mod. 969)	1	-		
	3264V7909	CABLE (F3264), 100P TO TB's 1185 AND . . . . 1186, GROUP (Pre-Mod. 2143)	1	-		
	3266V7909	CABLE (F3266), 48P TO 100P, GROUP . . . . . (Mod. 969) (Pre-Mod. 2294)	1	-		
	3268V7909	CABLE (F3268), 48P TO 100P, GROUP . . . . . (Mod. 969) (Pre-Mod. 2294)	1	-		
	3269V7909	CABLE (F3269), 48P TO 100P, GROUP . . . . . (Mod. 969) (Pre-Mod. 2294)	1	-		
	3271V7909	CABLE (F3271), HYDRAULIC START . . . . . SWITCH TO STOP SWITCH, GROUP (Mod. 1078)	1	-		
	3281V7909	CABLE (F3281), 4P TO ENTRANCE DOOR, .. GROUP (Mod. 969) (Pre-Mod. 2374)	1	-		
	3284V7909	CABLE (F3284), BOMB DOOR TEST PLUG ... TO 3P, GROUP (Mod. 1232)	1	-		
	3286V7909	CABLE (F3286), DIMMER SWITCH TO . . . . . TB.1620, GROUP (Mod. 1219)	1	-		
	3287V7909	CABLE (F3287), NAV. RADAR PANEL TO ... EARTH, GROUP (Mod. 1219)	1	-		
	3310V7909	CABLE (F3310), DIMMER SWITCH, AFT . . . . . TO DIMMER SWITCH, FWD., GROUP (Mod. 1219)	1	-		
	3311V7909	CABLE (F3311), DIMMER SWITCH, FWD., ... TO LAMP, FWD., GROUP (Mod. 1219)	1	-		
	3357V7909	CABLE (F3357), TB.890 TO TB.864, GROUP .. (Mod. 1073)	1	-		
	3358V7909	CABLE (F3358), TB.890 TO TB.687, GROUP .. (Mod. 1073)	1	-		
	3359V7909	CABLE (F3359), 6P/596 TO R.P.B.597, . . . . . GROUP (Mod. 1139)	1	-		
	3362V7909	CABLE (F3362), 12P TO 11P, GROUP . . . . . (Mod. 1433)	1	-		
	3497V7909	CABLE (F3497), OIL TEMP. PANEL . . . . . ABOVE TOP, GROUP (Mod. 1248)	1	-		
	3498V7909	CABLE (F3498), OIL TEMP. PANEL . . . . . ABOVE TOP, GROUP (Mod. 1284)	1	-		
	3499V7909	CABLE (F3499), OIL TEMP. PANEL . . . . . ABOVE TOP, GROUP (Mod. 1284)	1	-		
	3500V7909	CABLE (F3500), OIL TEMP. PANEL . . . . . ABOVE TOP, GROUP (Mod. 1284)	1	-		
	3501V7909	CABLE (F3501), OIL TEMP. PANEL . . . . . ABOVE TOP, GROUP (Mod. 1284)	1	-		
	3502V7909	CABLE (F3502), OIL TEMP. PANEL . . . . . ABOVE TOP, GROUP (Mod. 1284)	1	-		

ELECTRICAL INSTALLATION

CREW'S NACELLE

Ref. No.	Part No.	Description	No. off	Matl. Spec.	Cl. of St.	Plate and Illust'n No.
					M.R.	
		1 2 3 4				
	3503V7909	CABLE (F3503), OIL TEMP. PANEL ABOVE TOP, GROUP (Mod. 1284)	1	-		
	3512V7909	CABLE (F3512), 6P/194 TO 3P, GROUP (Mod. 1320)	1	-		
	3540V7909	CABLE (F3504), 3P TO 4P, GROUP (Mod. 1320)	1	-		
	3548V7909	CABLE (F3548), G.S.R. BLOWER TO TB.1637, GROUP (Mod. 1434)	1	-		
	3549V7909	CABLE (F3549), G.P.I. BLOWER TO NAV. STATION, GROUP (Mod. 1434)	1	-		
	3550V7909	CABLE (F3550), TB.1673 TO NAV. STATION, GROUP (Mod. 1434)	1	-		
	3551V7909	CABLE (F3551), RELAY 761 TO 75P, GROUP (Mod. 1434)	1	-		
	3552V7909	CABLE (F3552), RELAY 761 TO NAV. STATION, GROUP (Mod. 1434)	1	-		
	3553V7909	CABLE (F3553), RELAY 761 TO 11P, GROUP (Mod. 1434)	1	-		
	3596V7909	CABLE (F3596), TB.875 TO DIMMER SWITCH (Mod. 1078)	1	-		
	3597V7909	CABLE (F3597), LAMPS AT NAVIGATORS' TABLE, GROUP (Mod. 1233)	1	-		
	3604V7909	CABLE (F3604), 12P TO 11P, GROUP (Mod. 1433)	1	-		
	3605V7909	CABLE (F3605), 12P TO 11P, GROUP (Mod. 1433)	1	-		
	3641V7909	CABLE (F3641), 48P TO NAV. STATION TEMP. INDICATOR, GROUP (Mod. 1451)	1	-		
	3642V7909	CABLE (F3642), E.C.M. TEMP. INDICATOR TO EARTH, GROUP (Mod. 1451)	1	-		
	3724V7909	CABLE (F3724), 8P TO 9P, GROUP (Mod. 1439)	1	-		
	3753V7909	CABLE (F3753), TB.1696-A TO CABIN LAMP, GROUP (Mod. 756)	1	-		
	3754V7909	CABLE (F3754), TB.1697-A TO CABIN LAMP, GROUP (Mod. 756)	1	-		
	3755V7909	CABLE (F3755), TB.1698-A TO CABIN LAMP, GROUP (Mod. 756)	1	-		
	3768V7909	CABLE (F3768), No. 1 WARNING LAMP TO EARTH, GROUP (Mod. 1583)	1	-		
	3769V7909	CABLE (F3769), No. 2 WARNING LAMP TO EARTH, GROUP (Mod. 1583)	1	-		
	3794V7909	CABLE (F3794), OIL TEMP. PANEL TO EARTH, GROUP (Mod. 1284)	1	-		
	3795V7909	CABLE (F3795), GROUP	1	-		
	3802V7909	CABLE (F3802), GROUP (Mod. 1856)	1	-		

RESTRICTED

VULCAN ML 2

Page FG. 30

## ELECTRICAL INSTALLATION

## CREW'S NACELLE

Ref. No.	Part No.	Description	No. off	Matl. Spec.	Cl. of St.	Plate and Illust'n No.
					M.R.	
		1 2 3 4				
	3804V7909	CABLE (F3804), GROUP .....	1	—		
	3805V7909	CABLE (F3805), GROUP .....	1	—		
	3821V7909	CABLE (F3821), 1P TO TB's 1533, 1535, 1536 AND 1537, GROUP (Mod. 1696)	1	—		
	3822V7909	CABLE (F3822), TB.1314 TO A.E.O., GROUP (Mod. 1696)	1	—		
	3823V7909	CABLE (F3823), A.E.O. CT.UN No. 5 TO EARTH, GROUP (Mod. 1696)	1	—		
	3824V7909	CABLE (F3824), A.E.O. CTL. UN. No. 5 TO 4P, GROUP (Mod. 1696)	1	—		
	3825V7909	CABLE (F3825), TB.1315 to B/A CTL UNIT No. 3, GROUP (Mod. 1696)	1	—		
	3826V7909	CABLE (F3826), B/A CTL, UNIT No. 3 TO EARTH, GROUP (Mod. 1696)	1	—		
	3827V7909	CABLE (F3827), B/A CTL, UNIT No. 3 TO 4P, GROUP (Mod. 1696)	1	—		
	3842V7909	CABLE (F3842), 3P TO RELAY 722, GROUP (Mod. 1856)	1	—		
	3844V7909	CABLE (F3844), TB.890 TO RELAY 722, GROUP (Mod. 1856)	1	—		
	3846V7909	CABLE (F3846), RELAY 722 TO EARTH, GROUP (Mod. 1856)	1	—		
	3847V7909	CABLE (3847), I.P.617 TO CTL. COL. BREAK AND 4P, GROUP (Mod. 1856)	1	—		
	3898V7909	CABLE (F3898), NAV. STATION TO 3P, GROUP (Mod. 1978)	1	—		
	3889V7909	CABLE (F3899), 8P TO THROTTLE PEDESTAL, GROUP (Mod. 1977)	1	—		
	3901V7909	CABLE (F3901), AIR TEMP. PROBE TO TB.716, GROUP (Mod. 2020)	1	—		
	3902V7909	CABLE (F3902), TB.716 TO RELAY 811, GROUP (Mod. 2020)	1	—		
	3903V7909	CABLE (F3903), RELAY 811 TO 75P, GROUP (Mod. 2020)	1	—		
	3904V7909	CABLE (F3904), TB.1524 TO RELAY 811, GROUP (Mod. 2020)	1	—		
	3905V7909	CABLE (F3905), RELAY 811 TO EARTH, GROUP (Mod. 2020)	1	—		
	3906V7909	CABLE (F3906), M.F.S. JB. (Mod. 2033)	1	—		
	3921V7909	CABLE (F3921), CABIN J/BOX TO 1st P.I.P. AND 2nd P.I.P., GROUP (Mod. 2057)	1	—		
	3922V7909	CABLE (F3922), CABIN J/B P1 TO 75P, GROUP (Mod. 2057)	1	—		
	3932V7909	CABLE (F3932), GROUP (Pre Mod. 2420)	1	—		
	3933V7909	CABLE (F3933), GROUP (Pre Mod. 2420)	1	—		

RESTRICTED

ELECTRICAL INSTALLATION  
CREW'S NACELLE

Ref. No.	Part No.	Description				No. off	Matl. Spec.	Cl. of St.	Plate and Illust'n No.
		1	2	3	4			M.R.	
	3949V7909	CABLE (F3949), 3P TO 4P, GROUP . . . . .				1	-		
		(Mod. 2087)							
	3952V7909	CABLE (F3952), CABIN EQUIPMENT TO 4P, .				1	-		
		GROUP (Mod. 2057)							
	3969V7909	CABLE (F3969), 4P TO CONTROL UNIT . . . . .				1	-		
		PLUG 1219 AND EARTH, GROUP (Mod. 2072)							
	3971V7909	CABLE (F3971), 9P TO CONTROL UNIT, . . . .				1	-		
		GROUP (Mod. 2072)							
	4018V7909	CABLE (F4018), RELAY 820 TO TB.15240, . . .				1	-		
		GROUP (Mod. 2156)							
	4019V7909	CABLE (F4019), RELAY 819 TO TB.1524, . . . .				1	-		
		GROUP (Mod. 2156)							
	4020V7909	CABLE (F4020), RELAY 819 TO EARTH, . . . .				1	-		
		GROUP (Mod. 2156)							
	4021V7909	CABLE (F4021), RELAY 820 TO EARTH, . . . .				1	-		
		GROUP (Mod. 2156)							
	4022V7909	CABLE (F4022), RELAY 820 TO 75P, . . . . .				1	-		
		GROUP (Mod. 2156)							
	4048V7909	CABLE (F4048), NAVIGATOR'S PANEL TO . .				1	-		
		EARTH, GROUP (Mod. 2177)							
	4059V7909	CABLE (F4059), RELAY 825 TO FAIL . . . . .				1	-		
		INDICATOR, GROUP (Mod. 2188)							
	4060V7909	CABLE (F4060), FAIL INDICATOR TO . . . . .				1	-		
		ISOLATION SWITCH							
	4061V7909	CABLE (F4061), RECTIFIER A.F.O's . . . . .				1	-		
		POSITION TO EARTH, GROUP (Mod. 2188)							
	4062V7909	CABLE (F.4062), RECTIFIER, RELAY 825 . . .				1	-		
		TO TB.1844, GROUP (Mod. 2188)							
	4063V7909	CABLE (F4063), RELAY 825 TO . . . . .				1	-		
		RECTIFIER, GROUP (Mod. 2188)							
	4064V7909	CABLE (F4064), FAIL INDICATOR TO . . . . .				1	-		
		TB.1844, GROUP (Mod. 2188)							
	4065V7909	CABLE (F4065), FAIL INDICATOR TO . . . . .				1	-		
		EARTH, GROUP (Mod. 2188)							
	4066V7909	CABLE (F4066), TB.1844 TO ISOLATION . . . .				1	-		
		SWITCH, GROUP (Mod. 2188)							
	4067V7909	CABLE (F4067), TB.1844, TO ISOLATION . . .				1	-		
		SWITCH, GROUP (Mod. 2188)							

## ELECTRICAL INSTALLATION

## CREW'S NACELLE

Ref. No.	Part No.	Description	No. off	Matl. Spec.	Cl. of St.	Plate and Illust'n No.
					M.R.	
		1 2 3 4				
	4077V7909	CABLE (F4077), TIME DELAY UNIT TO ..... BOMB GEAR AND EARTH, GROUP (Mod. 2201)	1	—		
	4078V7909	CABLE (F4078), TIME DELAY UNIT TO ..... TB.1845, GROUP (Mod. 2201)	1	—		
	4101V7909	CABLE (F4101), SELECTOR TO ADAPTOR .. BREAK, GROUP (Mod. 1300)	1	—		
	4102V7909	CABLE (F4102), SELECTOR TO ADAPTOR .. BREAK, GROUP (Mod. 1300)	1	—		
	4103V7909	CABLE (F4103), TRANSFORMER TO 75P, ... GROUP (Mod. 2182)	1	—		
	4106V7909	CABLE (F4106), FAIL INDICATOR, ..... GROUP (Mod. 2188)	1	—		
	4107V7909	CABLE (F4107), TB.1844 TO ISOLATION .... SWITCH, GROUP (Mod. 2188)	1	—		
	4127V7909	CABLE, GROUP (Mod. 2263) .....	1	—		
	4129V7909	CABLE (F4129), AUX. AIR VENTILATED .... SUITS, FUSE 976 TO SWITCH, GROUP (Mod. 2275)	1	—		
	4130V7909	CABLE (F4130), AUX. AIR VENTILATED .... SUITS, C/O SWITCH TO FUSE 652, GROUP (Mod. 2275)	1	—		
	4131V7909	CABLE (F4131), AUX. AIR VENTILATED .... SUITS, C/O SWITCH TO FUSE 583, GROUP (Mod. 2275)	1	—		
	4132V7909	CABLE (F4132), AUX. AIR VENTILATED .... SUITS, FUSE 733 TO REL.827, GROUP (Mod. 2275)	1	—		
	4133V7909	CABLE (F4133), AUX. AIR VENTILATED .... SUITS, 1st PILOTS VALVE TO 6p, GROUP (Mod. 2275)	1	—		
	4134V7909	CABLE (F4134), AUX. AIR VENTILATED .... SUITS, 2nd PILOTS VALVE TO 7P, GROUP (Mod. 2275)	1	—		
	4135V7909	CABLE (F4135), AUX. AIR VENTILATED .... SUITS, FUSE 741 TO REL.828, GROUP (Mod. 2275)	1	—		

ELECTRICAL INSTALLATION

CREW'S NACELLE

Ref. No.	Part No.	Description	No. off	Matl. Spec.	Cl. of St.	Plate and Illust'n No.
					M.R.	
		1 2 3 4				
	4136V7909	CABLE (F4136), AUX. AIR VENTILATED . . . . SUITS, FUSE 546 TO SWITCH, GROUP (Mod. 2275)	1	—		
	4137V7909	CABLE (F4139), AUX. AIR VENTILATED . . . . SUITS, SWITCH TO REL.827, GROUP (Mod. 2275)	1	—		
	4138V7909	CABLE (F4138), AUX. AIR VENTILATED . . . . SUITS, SWITCH TO REL.828, GROUP (Mod. 2275)	1	—		
	4139V7909	CABLE (F4139), AUX. AIR VENTILATED . . . . SUITS, REL.828 TO EARTH, GROUP (Mod. 2275)	1	—		
	4140V7909	CABLE (F4140), AUX. AIR VENTILATED . . . . SUITS, REL.828 TO FACE BLOWER MOTOR, GROUP (Mod. 2275)	1	—		
	4141V7909	CABLE (F4141), AUX. AIR VENTILATED . . . . SUITS, REL.827 TO EARTH, GROUP (Mod. 2275)	1	—		
	4148V7909	CABLE (F4148), 100P TO SWITCH BOX . . . . . AT 4P, GROUP (Mod. 2294)	1	—		
	4149V7909	CABLE (F4149), 100P TO SWITCH BOX, . . . . . GROUP (Mod. 2294)	1	—		
	4150V7909	CABLE (F4150), 100P TO SWITCH BOX, . . . . . GROUP (Mod. 2294)	1	—		
	4161V7909	CABLE (F4161), Mk. 10 AUTO PILOT, . . . . . REL.925 TO PANEL 7P, GROUP (Mods. 2305 AND 2306)	1	—		
	4162V7909	CABLE (F4162), Mk. 10 AUTO PILOT . . . . . TB.890 TO TORQUE SWITCH, GROUP (Mods. 2305 AND 2306)	1	—		
	4163V7909	CABLE (F4163), Mk. 10 AUTO PILOT . . . . . TB.890 TO REL.925, GROUP (Mods. 2305 AND 2306)	1	—		
	4164V7909	CABLE (F4164), EMERGENCY DOOR . . . . . OPENING SWITCH, GROUP (Mod. 2295)	1	—		
	4168V7909	CABLE (F4168), Mk. 10 AUTO PILOT . . . . . REL.925, GROUP (Mods. 2305 AND 2306)	1	—		

## ELECTRICAL INSTALLATION

## CREW'S NACELLE

Ref. No.	Part No.	Description	No. off	Matl. Spec.	Cl. of St.	Plate and Illust'n No.
					M.R.	
	4169V7909	CABLE (F4169), Mk. 10 AUTO PILOT ..... REL 925 TO RECTIFIER, GROUP (Mods. 2305 and 2306)	1	—		
	4174V7909	CABLE (F4174), GROUP (Mod. 2292) .....	1	—		
	4180V7909	CABLE (F4180), EMERGENCY DOOR ..... OPENING SWITCH, GROUP (Mod. 2295)	1	—		
	4181V7909	CABLE (F4181), EMERGENCY DOOR ..... OPENING SWITCH, GROUP (Mod. 2295)	1	—		
	4185V7909	CABLE (F4185), VERTICAL GYRO, ..... STARBOARD, TO VERTICAL GYRO TEST PLUG, GROUP (Mod. 2349)	1	—		
	4186V7909	CABLE (F4186), GROUP (Mod. 2292) .....	1	—		
	4188V7909	CABLE (F4188), GROUP (Mod. 2352) .....	1	—		
	4202V7909	CABLE (F4202), GROUP (Mod. 2292) .....	1	—		
	4204V7909	CABLE (F4204), GROUP (Mod. 2374) .....	1	—		
	4216V7909	CABLE (F4216), GROUP (Mod. 2396) .....	1	—		
	4222V7909	CABLE (F4222), GROUP (Mod. 2396) .....	1	—		
	4225V7909	CABLE (F4225), GROUP (Mod. 2397) .....	1	—		
	7087V7909	CABLE (F2098), A.E.O's POSITION TO ..... S.P., GROUP (Pre-Mod. 1744)	1	—		
	7166V7909	CABLE (F263), PLUG 228 TO 4P, GROUP ....	1	—		
	7167V7909	CABLE (F47), R.P.B.163 TO 4P AND 7P, ..... GROUP	1	—		
	7223V7909	CABLE (F508), CONTROL COLUMN PORT ... TO CONTROL COLUMN STARBOARD, GROUP	1	—		
	7224V7909	CABLE (F1867), CONTROL COLUMN PORT .. TO 3P, GROUP	1	—		
	7225V7909	CABLE (F1668), TB.288 TO RELAYS 147, .... 150 AND FUSE 929, GROUP	1	—		
	7228V7909	CABLE (F45), 75P TO R.P.B.160, GROUP .... (Pre-Mod. 2214)	1	—		
	7241V7909	CABLE (F53) R.P.B.168 TO NAVIGATOR'S ... STATION AND 12P, GROUP (Mod. 1716)	1	—		
	7262V7909	CABLE (F2618), PORT, E.Y. CONTROLS ..... TO R.P.B.803, GROUP	1	—		
	7263V7909	CABLE (F2636), STARBOARD E.Y. CONTROLS TO R.P.B.823, GROUP	1	—		

VULCAN Mk. 2

ELECTRICAL INSTALLATION

CREW'S NACELLE

Ref. No.	Part No.	Description				No. off	Matl. Spec.	Cl. of St.	Plate and Illust'n No.
		1	2	3	4			M.R.	
	7301V7909	CABLE (F13), R.P.B.113 TO 3P AND 81P, . . . . GROUP (Mod. 569) (Pre-Mod. 2304)				1	-		
	7332V7909	CABLE (F272), CABIN TEMPERATURE . . . . CONTROLLER TO 4P, GROUP				1	-		
	7336V7909	CABLE (F2293), R.P.B.876 TO 10P, GROUP . .				1	-		
	7338V7909	CABLE (F2302), R.P.B.877 TO 10P, GROUP . .				1	-		
	7350V7909	CABLE (F2005), 7P TO 4P, GROUP . . . . .				1	-		
	7359V7909	CABLE (F2006), 3P TO 4P, GROUP . . . . .				1	-		
	7367V7909	CABLE (F290), 6P TO 3P AND 4P, GROUP . . .				1	-		
	7408V7909	CABLE (F12), R.P.B.111 TO 3P, GROUP . . . . (Mod. 569)				1	-		
	7514V7909	CABLE (F1589), RAM AIR VALVE TO . . . . . TB.699, GROUP				1	-		
	7518V7909	CABLE (F1823), AT TB.854, GROUP . . . . .				1	-		
	7520V7909	CABLE (F2479), PORT NEON TO EARTH, . . . GROUP (Pre-Mod. 1744)				1	-		
	7521V7909	CABLE (F2480), STARBOARD NEON TO . . . . EARTH, GROUP (Pre-Mod. 1744)				1	-		
	7522V7909	CABLE (F278), S.P.313 TO 4P, GROUP . . . . .				1	-		
	7524V7909	CABLE (F2298), 3P TO 10P, GROUP . . . . .				1	-		
	7537V7909	CABLE (F998), DIMMER SWITCH TO . . . . . TB.276 AND FUSE 667, GROUP				1	-		
	7538V7909	CABLE (F988), 3P TO NAVIGATOR'S . . . . . PANEL, GROUP				1	-		
	7539V7909	CABLE (F2169), GROUP (Pre-Mod. 748) . . . . .				1	-		
	7546V7909	CABLE (F256), 7P TO 4P, GROUP . . . . .				1	-		
	7552V7909	CABLE (F2207), SUPPRESSOR TO RELAY . . . 197, GROUP				1	-		
	7569V7909	CABLE (F237), CABIN TEMP. CONTROL TO . 4P, GROUP				1	-		
	9934V7909	CABLE (F13), GROUP (Mod. 2304) . . . . .				-	-		

## ELECTRICAL INSTALLATION

## CREW'S NACELLE

Ref. No.	Part No.	Description	No. off	Matl. Spec.	Cl. of St.	Plate and Illust'n No.
					M.R.	
		1 2 3 4				
	7576V7909	CABLE (F655), 24P TO CONTROL BOX AND EARTH, GROUP	1	—		
	7631V7909	CABLE (F1721), THERMO TO 4P, GROUP . . . .	1	—		
	7632V7909	CABLE (F43), R.P.B.156 TO 4P, GROUP . . . . .	1	—		
	7633V7909	CABLE (F938), 3P TO NAVIGATOR'S PANEL, GROUP	1	—		
	7635V7909	CABLE (F1148), 10P TO EARTH, GROUP . . . .	1	—		
	7665V7909	CABLE (F2240), TB.1519 TO EARTH, GROUP	1	—		
	7668V7909	CABLE (F2616), 9P TO CONTROL SOCKETS . 792 AND 794, GROUP	1	—		
	7687V7909	CABLE (F775), 25P TO THERM., CONTROL .. BOX AND EARTH, GROUP	1	—		
	7700V7909	CABLE (F1954), PITCH GYRO P1 TO DATUM UNIT PD2, GROUP (Mod. 690)	1	—		
	7701V7909	CABLE (F1955), PITCH GYRO TO DATUM ... UNIT PD2, GROUP (Mod. 690)	1	—		
	7702V7909	CABLE (F1956), PITCH GYRO TO DATUM ... UNIT PD4, GROUP (Mod. 690)	1	—		
	7703V7909	CABLE (F1957), PITCH GYRO P4 TO . . . . . DATUM UNIT PD4, GROUP (Mod. 690)	1	—		
	7704V7909	CABLE (F1958), YAW GYRO Y1 TO DATUM . UNIT YD1, GROUP (Mod. 690)	1	—		
	7705V7909	CABLE (F1959), YAW GYRO Y2 TO DATUM . UNIT YD2, GROUP (Mod. 690)	1	—		
	7742V7909	CABLE (F1002), COMPUTOR TO AMPLIFIER, GROUP	1	—		
	7743V7909	CABLE (F1003), COMPUTOR TO AMPLIFIER, GROUP	1	—		
	7753V7909	CABLE (F2221), SEXTANT, STARBOARD ... SIDE TO TB.534, GROUP (Mod. 687)	1	—		
	7754V7909	CABLE (F2216), OXYGEN REGULATOR . . . . TO INDICATOR AND TB.1533, GROUP (Mod. 687)	1	—		
	7756V7909	CABLE (F2218), GROUP (Pre-Mod. 748) . . . . .	1	—		
	7764V7909	CABLE (F2687), 3P TO A.E.O's DIMMER . . . . . SWITCH, GROUP	1	—		

VULCAN Mk. 2

ELECTRICAL INSTALLATION

Page FG. 35

CREW'S NACELLE

Ref. No.	Part No.	Description	No. off	Matl. Spec.	Cl. of St.	Plate and Illust'n No.
					M.R.	
		1 2 3 4				
	7767V7909	CABLE (F28), R.P.B.139 AND TRANSFORMER TO 3P, 25P AND TOTAL FLOW INDICATOR, GROUP	1	-		
	7783V7909	CABLE (F248), GROUP	1	-		
	7802V7909	CABLE (F29), R.P.B.510 TO 1P AND 3P, GROUP	1	-		
	7803V7909	CABLE (F5), R.P.B.105 TO 3P, GROUP (Pre-Mod. 2223)	1	-		
	9849V7909	CABLE (F5), R.P.B.105 TO 3P, GROUP (Mod. 2223)	1	-		
	7810V7909	CABLE (F273), 2P, 4P AND 5P TO R.P.B.159, 3P AND 4P, GROUP	1	-		
	7830V7909	CABLE (F2220), SEXTANT, STARBOARD SIDE TO TB.1534, GROUP	1	-		
	7832V7909	CABLE (F21), R.P.B.116 TO 11P, GROUP	1	-		
	7835V7909	CABLE (F2692), BOMB AIMER'S DIMMER SWITCH TO BOMB AIMER'S LAMP, GROUP (Mod. 1716)	1	-		
	7836V7909	CABLE (F2691), NAV. PLOTTER'S DIMMER SWITCH TO PLOTTER'S LAMP, GROUP (Mod. 734)	1	-		
	7837V7909	CABLE (F2688), A.E.O.'s DIMMER SWITCH TO A.E.O.'s LAMP, GROUP (Mod. 734)	1	-		
	7843V7909	CABLE (F281), 1P TO 3P, 4P PILOT'S PANEL BREAK AND CONTROLLER, GROUP (Mod. 738)	1	-		
	7845V7909	CABLE (F935), R.P.B.119 AND 3P TO 2P AND COAMING, GROUP (Mod. 738)	1	-		
	7856V7909	CABLE (F837), 4P TO NAVIGATOR'S PANEL, GROUP (Mod. 734)	1	-		
	7857V7909	CABLE (F844), 3P TO PORT SEXTANT, GROUP (Mod. 734)	1	-		
	7889V7909	CABLE (F50), R.P.B.165 TO 4P AND PILOT'S COAMING, GROUP (Mod. 526)	1	-		
	7892V7909	CABLE (F439), 3P TO 4P, GROUP	1	-		

## ELECTRICAL INSTALLATION

## CREW'S NACELLE

Ref. No.	Part No.	Description	No. off	Mati. Spec.	Cl. of St.	Plate and Illust'n No.
					M.R.	
		1 2 3 4				
	7901V7909	CABLE (F1484), F.P.B.556 TO AIR VALVES, . GROUP (Mod. 715)	1	-		
	7231V7909	CABLE (F1827) GROUP (Pre-Mod. 748) . . . . .	1	-		
	7904V7909	CABLE (F2237), DIMMER SWITCHES TO . . . . TB's 1159 AND 1160, GROUP (Mod. 715)	1	-		
	7914V7909	CABLE (F1828), AZIMUTH REPEATER TO . . . 34J, GROUP (Mod. 805)	1	-		
	7916V7909	CABLE (F1831), VAR. SETTING UNIT TO . . . 34J, GROUP (Mod. 305)	1	-		
	7925V7909	CABLE (F2231), 6P AND 3P TO D.S.U. . . . . . 3P AND 4P, GROUP	1	-		
	7926V7909	CABLE (F2229), 6P AND 3P TO D.S.U. 68P, . . . GROUP	1	-		
	7927V7909	CABLE (F2230), 6P TO 3P, D.S.U. AND . . . . . 68P, GROUP	1	-		
	7928V7909	CABLE (F2227), 68P TO 3P, GROUP . . . . .	1	-		
	7929V7909	CABLE (F2228), 6P TO 3P, GROUP . . . . .	1	-		
	7954V7909	CABLE (F34), 10P TO R.P.B.140 AND . . . . . EARTH, GROUP (Mod. 770)	1	-		
	7957V7909	CABLE (F2168), GROUP (Pre-Mod. 748) . . . . .	1	-		
	7961V7909	CABLE (F196), TEMP. INDICATOR AIR . . . . . TEMP. INDICATOR DIMMER SWITCH AND TB.198, GROUP (Mod. 778)	1	-		
	7962V7909	CABLE (F507), R.P.B.182 TO 48P, GROUP . . . (Mod. 778)	1	-		
	7963V7909	CABLE (F509), R.P.B.161 TO 48P, GROUP . . . (Mod. 778)	1	-		
	7978V7909	CABLE (F16), 24P TO R.P.B.117, TB.99, . . . . . 11P, AMPLIFIER AND SWITCH, GROUP (Mod. 715)	1	-		
	8024V7909	CABLE (F2398), 48P TO 81P AND . . . . . INTERCOM., R/T PANEL, GROUP (Mod. 743)	1	-		
	8052V7909	CABLE (F34), 10P No. 4 CRASH SWITCH . . . . AND 3P TO R.P.B.140, 3P AND EARTH, GROUP	1	-		
	8078V7909	CABLE (F2427), 3P TO TB.681, GROUP . . . . .	1	-		
	8079V7909	CABLE (F2225), GROUP (Pre-Mod. 748) . . . . .	1	-		
	8097V7909	CABLE (F264), 1P To 4P, GROUP . . . . . (Mod. 748)	1	-		
	264V7909	CABLE (F264), GROUP (Pre-Mod. 748) . . . . .	1	-		

ELECTRICAL INSTALLATION

CREW'S NACELLE

Ref. No.	Part No.	Description	No. off	Matl. Spec.	Cl. of St.	Plate and Illust'n No.
					M.R.	
		1 2 3 4				
	8120V7909	CABLE (F2225), OXYGEN REGULATOR TO INDICATOR AND TB.285, GROUP (Mod. 748)	1	—		
	7785V7909	CABLE (F2213), GROUP (Pre-Mod. 748) . . . . .	1	—		
	8122V7909	CABLE (F2213), OXYGEN REGULATOR TO EARTH, GROUP (Mod. 748)	1	—		
	7511V7909	CABLE (F2219), GROUP (Pre-Mod. 748) . . . . .	1	—		
	8123V7909	CABLE (F2219), OXYGEN REGULATOR TO EARTH, GROUP (Mod. 748)	1	—		
	7662V7909	CABLE (F2224), GROUP (Pre-Mod. 748) . . . . .	1	—		
	8124V7909	CABLE (F2224), OXYGEN REGULATOR TO EARTH, GROUP (Mod. 748)	1	—		
	8186V7909	CABLE (F2599), PLUG 531 TO 3P, 4P . . . . . EARTH AND A.E.O's THERMISTOR AND HEATER, GROUP (Mod. 923)	1	—		
	8188V7909	CABLE (F2607), PLUG 533 TO 3P, 4P, 48P, . . . EARTH, NAV's. HEATER AND THERMISTOR, GROUP (Mod. 923)	1	—		
	8190V7909	CABLE (F2611), PLUG 535 TO 4P, 48P, . . . . . EARTH, BOMB AIMER'S HEATER AND THERMISTOR, GROUP (Mod. 923)	1	—		
	8203V7909	CABLE (F799), R.P.B.124 TO 3P AND . . . . . TOP, GROUP (Mod. 916)	1	—		
	8231V7909	CABLE (F2099), 4P TO E.A.O's POSITION, . . . GROUP (Pre-Mod. 1744)	1	—		
	8235V7909	CABLE (F35), R.P.B.143 TO T.A.U. . . . . . CONTROL PANEL AND V.A. UNIT, GROUP (Mod. 863)	1	—		
	8238V7909	CABLE, GROUP (Pre-Mod. 2253) . . . . .	1	—		
	9885V7909	CABLE (F55), R.P.B.138 TO 4P, GROUP . . . . . (Mod. 2253)	1	—		
	9581V7909	CABLE, GROUP (Pre-Mod. 2253) . . . . .	1	—		
	9886V7909	CABLE (F20), (Mod. 2253) . . . . .	1	—		
	8239V7909	CABLE (F775), 25P TO 4P AND EARTH, . . . . . GROUP	1	—		
	8269V7909	CABLE (E22), R.P.B.138 TO 3P CRASH . . . . . SWITCH, 6P, 10P, GROUP (Mod. 526)	1	—		
	8277V7909	CABLE (F2889), A.E.O's POSITION TO . . . . . TB.875, GROUP	1	—		
	8281V7909	CABLE (F2198), PORT BOX TO EARTH, . . . . . GROUP (Mod. 908)	1	—		

ELECTRICAL INSTALLATION  
CREW'S NACELLE

Ref. No.	Part No.	Description	No. off	Matl. Spec.	Cl. of St.	Plate and Illust'n No.
					M.R.	
		1 2 3 4				
	8316V7909	CABLE (F2976), T.C.U.10 TO TB.1158 AND ... 1160, GROUP (Mod. 980)	1	—		
	8332V7909	CABLE (F280), 5P TO 3P, GROUP .....	1	—		
	8338V7909	CABLE (F915), 3P TO 4P, GROUP .....	1	—		
	8350V7909	CABLE (F440), 7P TO 4P AND PILOT'S .....	1	—		
	8377V7909	FLOOR, STARBOARD, GROUP (Pre-Mod. 2255)				
	8377V7909	CABLE (F1830), TRACK CONTROL UNIT .... TO34J, GROUP	1	—		
	8391V7909	CABLE (F348), 4P TO 8P, GROUP .....	1	—		
	8391V7909	(Mod. 973)				
	8434V7909	CABLE (F3019), R.P.B.962 TO 3P AND 4P, ... GROUP (Mod. 1078)	1	—		
	8478V7909	CABLE (F2928), R.P.B.960 TO SCANNER .... STARBOARD SWITCH AND ADAPTOR BOX TO 3P, 11P, 94P AND EMERGENCY FIN GAP DOOR, GROUP (Mod. 1078)	1	—		
	8479V7909	CABLE (F2909), PLUG 958 TO PANEL 94P, .. PLUG BREAK, GROUP (Mod. 1078)	1	—		
	3010V7909	CABLE (F3010), GROUP (Pre-Mod. 748) .....	1	—		
	8480V7909	CABLE (F3010), 84P TO SUPPRESSOR .....	1	—		
	8480V7909	AND EARTH, GROUP (Mod. 748)				
	8503V7909	CABLE (F268), CABIN ALT. SWITCH TO .....	1	—		
	8503V7909	4P AND EARTH, GROUP (Mod. 819)				
	8504V7909	CABLE (F269), AMBIENT ALT. SWITCH TO .. 4P AND EARTH, GROUP (Mod. 819)	1	—		
	8524V7909	CABLE (F2940), JUNCTION BOX 30A TO 12P AND EARTH, GROUP (Mod. 748)	1	—		
	8552V7909	CABLE (F30), R.P.B.133 TO 4P, NAVS. .... POSITION AND SET POTENTIOMETER, GROUP (Mod. 983)	1	—		
	8555V7909	CABLE (F2494), FLASHER TO 4P, GROUP ... (Pre-Mod. 2032)	1	—		
	8558V7909	CABLE (F41), R.P.B.152 TO 4P, GROUP .....	1	—		
	8558V7909	(Mod. 969)				

ELECTRICAL INSTALLATION

CREW'S NACELLE

Ref. No.	Part No.	Description				No. off	Matl. Spec.	Cl. of St.	Plate and Illust'n No.
		1	2	3	4			M.R.	
	8587V7909	CABLE (F17), R.P.B.118, 3P AND EARTH . . . . . TO 5P, GROUP (Mod. 1045)				1	—		
	8594V7909	CABLE (F46), R.P.B.162 TO 3P, DOOR . . . . . MICRO SWITCH AND DOOR LAMP, GREEN, GROUP (Mod. 1092)				1	—		
	8595V7909	CABLE (F776), R.P.B.144 AND 4P TO 7P . . . . . AND 4P, GROUP (Mod. 1092)				1	—		
	8605V7909	CABLE (F42), R.P.B.153 TO 4P, GROUP . . . . . (Mod. 1092)				1	—		
	8608V7909	CABLE (F831), 4P TO NAV. RADAR, GROUP . . . . . (Mod. 1219)				1	—		
	8609V7909	CABLE (F6), 10P TO 6P, 3P AND . . . . . R.P.B.106, GROUP (Mod. 1073)				1	—		
	8612V7909	CABLE (F717), R.P.B.555 TO 4P AND . . . . . 7P, GROUP (Mod. 969)				1	—		
	8616V7909	CABLE (F15), R.P.B.115 TO 3P, GROUP . . . . . (Mod. 1073)				1	—		
	8628V7909	CABLE (F2798), 6P TO 3P, FIN TEST . . . . . SWITCH AND EMERGENCY FIN GAP DOOR, GROUP				1	—		
	8634V7909	CABLE (F1821), TEST PLUG R11 TO . . . . . TB.890, GROUP (Mod. 1073)				1	—		
	8639V7909	CABLE (F1917), RACK MOUNTING, RM . . . . . 1P TO 3P AND 4P, GROUP (Mod. 1204)				1	—		
	8640V7909	CABLE (F266), 1P TO 3P AND ADJ 1P . . . . . BREAK, GROUP (Mod. 1139)				1	—		
	8641V7909	CABLE (F1577), 6P TO 3P, GROUP . . . . . (Mod. 1139)				1	—		
	8682V7909	CABLE (F1334), 4P TO CRASH SWITCH, . . . . . GROUP				1	—		
	8683V7909	CABLE (F3266), 48P TO 100P, GROUP . . . . . (Mod. 969)				1	—		
	8685V7909	CABLE (F3269), 48P TO 100P, GROUP . . . . . (Mod. 969)				1	—		
	8686V7909	CABLE (F2885), OIL TEMPERATURE . . . . . PANEL TO 3P, GROUP (Mod. 1284)				1	—		

ELECTRICAL INSTALLATION  
CREW'S NACELLE

Ref. No.	Part No.	Description	No. off	Matl. Spec.	Cl. of St.	Plate and Illust'n No.
					M.R.	
		1 2 3 4				
	8687V7909	CABLE (F2884), OIL TEMPERATURE PANEL ABOVE 70P, GROUP (Mod. 1284)	1	—		
	8688V7909	CABLE (F3209), I.L.S. AND AUTO ..... THROTTLE PANEL TO OIL TEMPERATURE PANEL, GROUP (Mod. 1248)	1	—		
	8691V7909	CABLE (F3209), R.P.B.959 TO 94P, ..... INDICATORS AND SWITCHES' GROUP (Mod. 1374)	1	—		
	8693V7909	CABLE (F32), R.P.B.137 TO 4P, 5P, 3P, ..... AND PANEL ABOVE 70P, GROUP (Mod. 1284)	1	—		
	87006V7909	CABLE (F31), R.P.B.136 TO 4P, TEMPERA- ... TURE INDICATOR PANEL ABOVE 70P, GROUP (Mod. 1284)	1	—		
	8707V7909	CABLE (F3), R.P.B.103 TO 3P, A.E.O's ..... POSITION AND PANEL ABOVE 70P, GROUP (Mod. 1284)	1	—		
	8709V7909	CABLE (F2211), 1P TO 3P, 4P, PILOT'S ..... BREAK AND CONTROL COLUMN BREAK, STARBOARD, GROUP	1	—		
	8710V7909	CABLE (F2197), TB.765 TO RELAY, GROUP .	1	—		
	8713V7909	CABLE (F38), R.P.B.147 AND 3P TO 10P ..... AND CRASH SWITCH, GROUP (Mod. 1843)	1	—		
	8735V7909	CABLE (F2823), N.B.C. INDICATOR TO ..... N.B.C. SWITCH, GROUP (Mod. 1843)	1	—		
	8746V7909	CABLE (F196), A8P TO TB.298 DIMMER ..... SWITCH, TEMPERATURE INDICATOR AND AIR TEMPERATURE INDICATOR, GROUP (Mod. 1843)	1	—		
	8749V7909	CABLE (F1781), 3P, 4P, TO 12P, GROUP ..... (Mod. 1843)	1	—		
	8750V7909	CABLE (F1782), 72P TO 4P, 12P AND ..... EARTH (Mod. 1843)	1	—		
	8754V7909	CABLE (F2924), N.B.S. INDICATOR TO ..... EARTH, GROUP (Mod. 1843)	1	—		
	8755V7909	CABLE (F2888), NAV. PLOTTER'S TO ..... A.E.O's POSITION, GROUP (Mod. 1843)	1	—		

ELECTRICAL INSTALLATION  
CREW'S NACELLE

Ref. No.	Part No.	Description				No. off	Matl. Spec.	Cl. of St.	Plate and Illust'n No.
		1	2	3	4			M.R.	
17063	8756V7909	CABLE (F2925), H.2.S. INDICATOR TO . . . . . EARTH, GROUP (Mod. 1843)				1	-	C	
	8762V7909	CABLE (F2938), JUNCTION BOX 31A . . . . . TO 11P, GROUP (Mod. 1433)				1	-		
	8785V7909	CABLE (F736), 50P AND NAV'S. STATION . . . TO 48P, 3P, 4P, AND TB.1600, GROUP (Mod. 1407)				1	-		
	8795V7909	CABLE (F263), 1P TO 4P AND CABIN, . . . . . GROUP (Mod. 1418)				1	-		
	8841V7909	CABLE (F1789), 71P TO CONTROL BOX . . . . . AND JUNCTION BOX, GROUP (Pre-Mod. 2214)				1	-		
	8842V7909	CABLE (F655), 24P TO EARTH, GROUP . . . . . (Mod. 1320)				1	-		
	8855V7909	CABLE (F45), R.P.B.160 TO 25P AND . . . . . 72P, GROUP (Pre-Mod. 2214)				1	-		
	8865V7909	CABLE (F2005), 7P TO 4P AND EARTH, . . . . . GROUP (Mod. 1320)				1	-		
	8876V7909	CABLE (F1821), TEST PLUG R11 TO . . . . . TB.890, GROUP (Pre-Mod. 2305 and 2306)				1	-		
	8877V7909	CABLE (F22), R.P.B.123 TO 10P, 6P, . . . . . AND 3, GROUP (Mod. 1320)				1	-		
	8880V7909	CABLE (F3284), BOMB DOOR TEST . . . . . PLUG TO 3P, GROUP				1	-		
	8890V7909	CABLE (F264), 1P TO 4P, GROUP . . . . .				1	-		
	8921V7909	CABLE (F273), 2P TO R.P.B.159, 3P, . . . . . 4P AND 5P, GROUP (Mod. 1696)				1	-		
	8928V7909	CABLE (F3138), NAV'S. STATION TO . . . . . EARTH, GROUP				1	-		
	8967V7909	CABLE (F265), GROUP . . . . .				1	-		
	8969V7909	CABLE (F46), GROUP (Mod. 1340) . . . . .				1	-		
8980V7909	CABLE (F2), R.P.B.102 TO 3P, 5P, . . . . . 11P AND 12P, GROUP (Mod. 1451)				1	-			

## ELECTRICAL INSTALLATION

## CREW'S NACELLE

Ref. No.	Part No.	Description	No. off	Matl. Spec.	Cl. of	Plate and Illust'n No.
					St. M.R.	
		1 2 3 4				
	9193V7909	CABLE (F2756), GROUP (Mod. 1439) . . . . .	1	—		
	9195V7909	CABLE (F2633), GROUP (Mod. 1439) . . . . .	1	—		
	9196V7909	CABLE (F345), GROUP (Mod. 1439) . . . . .	1	—		
	9197V7909	CABLE (F2758), GROUP (Mod. 1439) . . . . .	1	—		
	9320V7909	CABLE (F2692), DIMMER SWITCH TO . . . . . TB.1896, GROUP (Mod. 756)	1	—		
	9321V7909	CABLE (F2691), NAV's. PLOTTER DIMMER . . SWITCH TO TB.1697, GROUP (Mod. 756)	1	—		
	9322V7909	CABLE (F2688), A.E.O's DIMMER . . . . . SWITCH TO TB.1698, GROUP (Mod. 756)	1	—		
	9363V7909	CABLE (F39), R.P.B.148 TO 3P, 4P, 1P AND . . 7P, GROUP (Mod. 1631)	1	—		
	9370V7909	CABLE (F2), R.P.B.102 TO 3P, 4P, 5P, 11P . . . . AND 12P, GROUP (Pre-Mod. 1744)	1	—		
	9372V7909	CABLE (F717), F.P.B.555 AND 4P TO . . . . . 7P AND TB.1714, GROUP (Mod. 1649)	1	—		
	9374V7909	CABLE (F3549), G.P.I. BLOWER TO . . . . . NAVIGATOR STATION, GROUP	1	—		
	9393V7909	CABLE (F3641), 48P TO NAV's. STATION . . . . AND TEMPERATURE INDICATOR, GROUP	1	—		
	9394V7909	CABLE (F3642), E.C.M. TEMP. INDICATOR . . TO EARTH, GROUP	1	—		
	9399V7909	CABLE (F3641), 48P TO NAV's. STATION . . . . AND TEMPERATURE INDICATOR, GROUP (Mod. 1451)	1	—		
	9400V7909	CABLE (F3642), E.C.M. TEMP. INDICATOR . . TO EARTH, GROUP (Mod. 1451)	1	—		

ELECTRICAL INSTALLATION  
CREW'S NACELLE

Ref. No.	Part No.	Description	No. off	Matl. Spec.	Cl. of St.	Plate and Illust'n No.
					M.R.	
		1 2 3 4				
	9472V7909	CABLE (F2928), R.P.B.960 TO SCANNER, . . . . STARBOARD SWITCH TO 94P, 11P, 3P, EMERGENCY FIN GAP DOOR, GROUP (Mod. 1698)	1	—		
	9480V7909	CABLE (F1557), 11P, TO 12P, 48P, . . . . . NAV's. STATION AND BOMB AIMER'S POSITION, GROUP (Mod. 1780)	1	—		
	9481V7909	CABLE (F1557), 11P TO 12P BOMB AIMER'S . 48P, 101P AND NAV's. STATION, GROUP (Mod. 1780)	1	—		
	9483V7909	CABLE (F3757), TB.1200 TO DIMMER . . . . . SWITCH, GROUP (Mod. 1631)	1	—		
	9485V7909	CABLE (F2825), GROUP . . . . .	1	—		
	9486V7909	CABLE (F3044), 9P, 3P, A.E.O's. PANEL . . . . . TO TEMPERATURE INDICATORS R.P.B.961 AND SWITCHES, GROUP (Mod. 1713)	1	—		
	9516V7909	CABLE (F3045), 9P TO 94P AND 4P, . . . . . GROUP (Mod. 1710)	1	—		
	9528V7909	CABLE (F96), R.P.B.142 TO 4P, 7P PILOT'S .. COAMING AND TB's 1524 AND 1690, GROUP (Mod. 1300)	1	—		
	9533V7909	CABLE (F2), R.P.B.102, 4P, 3P, 12P AND . . . . . PERISCOPE HEATER SWITCH TO 5P, 3P AND 11P, GROUP (Mod. 1300)	1	—		
	9534V7909	CABLE (F1194), R.P.B.513 TO ADAPTOR . . . . . BREAK, GROUP (Mod. 1300)	1	—		
	9536V7909	CABLE (F1198), R.P.B.515 TO ADAPTOR . . . . . BREAK, GROUP (Mod. 1300)	1	—		
1433936	9546V7909	CABLE (F2771), STARBOARD CONTROL . . . . . UNIT-1 TO ADAPTOR BREAK, GROUP (Mod. 1300)	1	—	C	
	9547V7909	CABLE (F2772), STARBOARD CONTROL . . . . . UNIT-2 TO ADAPTOR BREAK, GROUP (Mod. 1300)	1	—		
	9555V7909	CABLE (F3762) . . . . .	1	—		

ELECTRICAL INSTALLATION  
CREW'S NACELLE

Ref. No.	Part No.	Description	No. off	Matl. Spec.	Cl. of St.	Plate and Illust'n No.
					M.R.	
		1 2 3 4				
	9559V7909	CABLE (F2607), PLUG 533 TO 4P, ..... THERMISTOR HEATER, NAV. AND EARTH, GROUP (Mod. 1801)	1	—		
	9571V7909	CABLE (F2611), CONTROL UNIT-3 TO 69P, . GROUP (Mod. 1696)	1	—		
	9573V7909	CABLE (F2609), HEATER TO CONTROL .... UNIT-3, GROUP (Mod. 1696)	1	—		
	9575V7909	CABLE (F2605), PLUG 532 TO HEATER ..... NAV's. SEAT AND 69P, GROUP (Mod. 1696)	1	—		
	9577V7909	CABLE (F2596), A.E.O. CONTROL UNIT-5 .. TO 69P, GROUP (Mod. 1696)	1	—		
	9578V7909	CABLE (F2957), A.E.O. HEATER TO ..... CONTROL UNIT-5, GROUP (Mod. 1696)	1	—		
	9579V7909	CABLE (F2599), A.E.O. CONTROL UNIT-5 .. TO THERMISTOR, GROUP (Mod. 1696)	1	—		
	9593V7909	CABLE (F6), 10P, 6P, 3P, TB.890, RELAY .... 722 TO R.P.B.106, GROUP (Mod. 1856)	1	—		
	9596V7909	CABLE (F15), R.P.B.115 TO 3P AND ..... RELAY 722, GROUP (Mod. 1856)	1	—		
	9600V7909	CABLE (F2227), 68P TO 3P AND RELAY 722, GROUP	1	—		
	9605V7909	CABLE (F1917), RACK MOUNTING RM ..... 13 TO 3P, 4P AND RELAY 722, GROUP	1	—		
	9607V7909	CABLE (F3125), R.P.B.274 TO RATE ..... GYRO, AIRSPEED INDICATOR, TEST PANEL 1196, CONTROL COLUMN BREAK, STARBOARD AND 3P, GROUP (Mod. 1856)	1	—		
	9618V7909	CABLE (F3357), TB.890 TO TB.684, GROUP .. (Pre-Mod. 2305 and 2306)	1	—		
	9619V7909	CABLE (F3358), TB.890 TO TB.687, GROUP .. (Pre-Mod. 2305 and 2306)	1	—		
	9629V7909	CABLE (F2731), 24P, 3P, RELAY 722 AND ... EARTH TO TORQUE SWITCH, CABIN EQUIPMENT TEST SOCKET 1197, GROUP (Mod. 1856)	1	—		

VULCAN Mk. 2

ELECTRICAL INSTALLATION

CREW'S NACELLE

Ref. No.	Part No.	Description	No. off	Matl. Spec.	Cl. of St.	Plate and Illust'n No.
					M.R.	
		1 2 3 4				
	9633V7909	CABLE (F263), 1P TO 4P, GROUP ..... (Mod. 1888)	1	-		
	9634V7909	CABLE (F1730), GROUP (Mod. 1696) .....	1	-		
	9635V7909	CABLE (F1731), 2nd PILOT'S SEAT, GROUP . (Mod. 1696)	1	-		
	9636V7909	CABLE (F1733), 1st PILOT'S SEAT, GROUP .. (Mod. 1696)	1	-		
	9640V7909	CABLE (F3817), TB.1533 TO 4P, GROUP .....	1	-		
	9641V7909	CABLE (F3818), TB.1536 TO 4P, GROUP .....	1	-		
	9642V7909	CABLE (F3819), TB.1535 TO 4P, GROUP .....	1	-		
	9643V7909	CABLE (F3820), TB.1537 TO 4P, GROUP .....	1	-		
	9684V7909	CABLE (F11), 1P TO 3P, R.P.B.110 AND .....	1	-		
	7556V7909	CABLE (F316), GROUP (Pre-Mod. 748) .....	1	-		
	9685V7909	CABLE (F316), 1P TO 3P AND TB's. 596 .....	1	-		
	9686V7909	CABLE (F316), 1P TO 3P AND TB's. 596 .....	1	-		
	7992V7909	CABLE (F2593), GROUP (Pre-Mod. 748) .....	1	-		
	9687V7909	CABLE (F2593), 1P TO 4P, GROUP .....	1	-		
	9700V7909	CABLE (F3808), 3P TO NAV. PLOTTER'S .... PANEL, GROUP (Mod. 2223)	1	-		
	9710V7909	CABLE (F3376), 3P TO FIN TEST, GROUP ... (Mod. 2055)	1	-		
	9711V7909	CABLE (F3477), SEL.5 TO R.P.B.134, .....	1	-		
	9712V7909	CABLE (F42), R.P.B.153 TO 4P, GROUP .....	1	-		
	9713V7909	CABLE (F256), 7P TO 4P, GROUP .....	1	-		
	9740V7909	CABLE (F1197), CONTROL UNIT 1 TO .....	1	-		
	9741V7909	CABLE (F3478), GROUP (Mod. 2055) .....	1	-		

ELECTRICAL INSTALLATION  
CREW'S NACELLE

Ref. No.	Part No.	Description	No. off	Matl. Spec.	Cl. of St.	Plate and Illust'n No.
					M.R.	
		1 2 3 4				
	9747V7909	CABLE (F2211), 1P TO 4P, 3P, PILOT'S . . . . . BRAKE AND PITCH COMPASS, OP.3, GROUP (Mod. 2057)	1	—		
	9774V7909	CABLE (F3443), 3P TO 4P, GROUP . . . . . (Mod. 2082)	1	—		
	9775V7909	CABLE (F2614), GROUP (Mod. 2087) . . . . .	1	—		
	9779V7909	CABLE (F30), GROUP (Mod. 2032) . . . . .	1	—		
	9781V7909	CABLE (F3920), CABIN J/BOX PL2 TO . . . . . 4P AND UNDER PILOT'S FLOOR, GROUP (Mod. 2057)	1	—		
	9783V7909	CABLE (F2616), GROUP (Mod. 2087) . . . . .	1	—		
	9789V7909	CABLE (F3923), CABIN J/BOX TO VERT . . . . . GYRO, GROUP (Mod. 2123)	1	—		
	9817V7909	CABLE (F3258), GROUP (Mod. 2143) . . . . .	1	—		
	9818V7909	CABLE (F3260), GROUP (Mod. 2143) . . . . .	1	—		
	9819V7909	CABLE (F3264), GROUP (Mod. 2143) . . . . .	1	—		
	9822V7909	CABLE (F262), 7P, 4P, TO CABIN . . . . . EQUIPMENT AND 3P, GROUP (Mod. 2156)	1	—		
	9823V7909	CABLE (F19), R.P.B.122, TO 11P, 12P . . . . . AND RELAY 819, GROUP (Mod. 2156)	1	—		
	9848V7909	CABLE (F1789), GROUP (Mod. 2214) . . . . .	1	—		
	9854V7909	CABLE (F9), 50P TO 3P AND R.P.B.109, . . . . . GROUP (Mod. 2195)	1	—		
	9855V7909	CABLE (F736), 50P TO 3P, GROUP . . . . . (Mod. 2195)	1	—		
	9856V7909	CABLE (F4), TB's 247, 254, 1672 TO . . . . . R.P.B.104, GROUP (Mod. 2195)	1	—		
	7079V7909	CABLE (F7), GROUP (Pre-Mod. 748) . . . . .	1	—		
	9857V7909	CABLE (F7), GROUP (Mod. 2195) . . . . .	1	—		
	9858V7909	CABLE (F7), GROUP (Mod. 2195) . . . . .	1	—		
	9859V7909	CABLE (F7), 3P TO R.P.B.107, GROUP . . . . . (Mod. 2195)	1	—		
	9860V7909	CABLE (F7), GROUP (Mod. 2195) . . . . .	1	—		
	9869V7909	CABLE (F45), R.P.B.160 TO 25P, 72P AND . . . TRANSFORMER, GROUP (Mod. 2182)	1	—		

ELECTRICAL INSTALLATION

CREW'S NACELLE

Ref. No.	Part No.	Description	No. off	Matl. Spec.	Cl. of St.	Plate and Illust'n No.
					M.R.	
		1 2 3 4				
	9864V7909	CABLE (F440), GROUP (Mod. 2255) . . . . .	1	-		
	9872V7909	CABLE (F722), GROUP (Mod. 2155) . . . . .	1	-		
	9873V7909	CABLE (F722), GROUP (Mod. 2155) . . . . .	1	-		
	9874V7909	CABLE (F53), GROUP (Mod. 2155) . . . . .	1	-		
	9892V7909	CABLE (F42), R.P.B.154 TO 4P, GROUP . . . . . (Mod. 2255)	1	-		
	9895V7909	CABLE (F990), THROTTLE PED, TO 4P, . . . . . GROUP (Mod. 2258)	1	-		
	9921V7909	CABLE (F3266), 48P TO SWITCH BOX . . . . . AT 4P, GROUP (Mod. 2294)	1	-		
	9922V7909	CABLE (F3268), 48P TO SWITCH BOX . . . . . AT 4P, GROUP (Mod. 2294)	1	-		
	9923V7909	CABLE (F3269), 48P TO SWITCH BOX . . . . . AT 4P, GROUP (Mod. 2294)	1	-		
	9900V7909	CABLE (F944), THROTTLE BOX PED. TO . . . . . 3P, GROUP (Mod. 2258)	1	-		
	9933V7909	CABLE (F1636), THROTTLE BOX PED. TO . . . . . 3P, GROUP (Mod. 2316)	1	-		
	9927V7909	CABLE (F3357), AUTO PILOT, TB.890 . . . . . TO TB.684, GROUP (Mods. 2305 and 2306)	1	-		
	9928V7909	CABLE (F3358), AUTO PILOT, TB.890, . . . . . TO TB.687, GROUP (Mod. 2305 and 2306)	1	-		
	9929V7909	CABLE (F1821), AUTO PILOT TEST PANEL . . . . . R.11 TO TB.890, GROUP (Mods. 2035 and 2306)	1	-		
	9930V7909	CABLE (F724), A.O.J TO 24P, GROUP . . . . . (Mods. 2305 and 2306)	1	-		
	9891V7909	CABLE (F3443) AUTO PILOT 3/4P . . . . . TB.286-B TP REL.110-C2, GROUP (Mod. 2272)	1	-		
	9947V7909	CABLE (F3281), PANEL P1, TO TB.1849 . . . . . GROUP (Mod. 2374)	1	-		
	9949V7909	CABLE (F9949), GROUP (Mod. 2292) . . . . .	1	-		
	9950V7909	CABLE (F9950), GROUP (Mod. 2292) . . . . .	1	-		

ELECTRICAL INSTALLATION

CREW'S NACELLE

Ref. No.	Part No.	Description	No. off	Matl. Spec.	Cl. of St.	Plate and Illust'n No.
					M.R.	
		1 2 3 4				
		CABLE INSTALLATION, AIR MONITORING ... SYSTEM (1V17613) (Mod. 2390 S.O.O.)				
		Spares for:—				
	4205V7909	CABLE, (F4205), GROUP .....	1	—		
	4206V7909	CABLE, (F4206), GROUP .....	1	—		
	4207V7909	CABLE, (F4207), GROUP .....	1	—		
	4208V7909	CABLE, (F4208), GROUP .....	1	—		
	4209V7909	CABLE, (F4209), GROUP .....	1	—		
	4210V7909	CABLE, (F4210), GROUP .....	1	—		
	4211V7909	CABLE, (F4211), GROUP .....	1	—		
	4212V7909	CABLE, (F4212), GROUP .....	1	—		
	4213V7909	CABLE, (F4213), GROUP .....	1	—		
	9953V7909	CABLE, (F9953), GROUP .....	1	—		
	9954V7909	CABLE, (F9954), GROUP .....	1	—		

VULCAN Mk. 2

ELECTRICAL INSTALLATION

CREW'S NACELLE

Ref. No.	Part No.	Description	No. off	Matl. Spec.	Cl. of St.	Plate and Illust'n No.
					M.R.	
		1 2 3 4				
<b>ELECTRICAL INSTALLATION IN CREW'S NACELLE (V9592) (V11179) (Continued)</b>						
	AS8671/40	Capping, duct (Make from 26DC/4304) .....	3	—		
	AS8671/47	Capping, duct (Make from 26DC/11225) .....	3	—		
	AS4799	Clip, spring .....	33	—	MR	
	AS4822	Clip, spring .....	13	—	MR	
26FP/13062	1SS3264	Clip .....	9	—	C	
26FP/13091	2SS3264	Clip .....	7	—	C	
26FP/13107	3SS3264	Clip .....	12	—	C	
26FP/13092	4SS3264	Clip .....	6	—	C	
26FP/13093	8SS3264	Clip .....	3	—	C	
26FP/13108	9SS3264	Clip .....	2	—	C	
26FP/13112	12SS3264	Clip .....	9	—	C	
26FP/13687	13SS3264	Clip .....	3	—	C	
26FP/13898	15SS3264	Clip .....	10	—	C	
26FP/13084	20SS3264	Clip .....	5	—	C	
26TA/8657	22SS3264	Clip .....	1	—	C	
26FP/13928	23SS3264	Clip .....	24	—	C	
26FP/13183	24SS3264	Clip .....	1	—	C	
	25SS3264	Clip .....	1	—		
	27SS3264	Clip .....	1	—		
	31SS3264	Clip .....	1	—		
	39SS3264	Clip .....	1	—		
	49SS3264	Clip .....	4	—		
	50SS3264	Clip .....	2	—		
	51SS3264	Clip .....	1	—		
	52SS3264	Clip .....	4	—		
	53SS3264	Clip .....	1	—		
26TA/4722	6SS4935	Clip .....	2	—	C	
26TA/4718	1SS4935	Cradle .....	2	—	C	
5K/9436899	NX0	Clip, insuloid .....	26	—	C	
5K/9325186	NX1	Clip, insuloid .....	46	—	C	
5K/9144249	NX1A	Clip, insuloid .....	23	—	C	
5K/9326334	NX2A	Clip, insuloid .....	1	—	C	
5K/9325192	NX3	Clip, insuloid .....	24	—	C	
5K/9325185	NX4	Clip, insuloid .....	40	—	C	
5K/9325188	NX5	Clip, insuloid .....	45	—	C	
5K/9325189	NX6	Clip, insuloid .....	43	—	C	
5K/9525234	NX8	Clip, insuloid .....	4	—	C	
5K/1011510	NX11	Clip, insuloid .....	6	—	C	
	NX14	Clip, insuloid .....	3	—	C	



## ELECTRICAL INSTALLATION

## CREW'S NACELLE

Ref. No.	Part No.	Description	No. off	Matl. Spec.	Cl. of	Plate and Illust'n No.
					St. M.R.	
		1 2 3 4				
<b>ELECTRICAL INSTALLATION IN CREW'S NACELLE (V9592) (V11179) (Continued)</b>						
5CY/5311	LGA.12/B1/1	Circuit, breaker (Mod. 1300) .....	3	—	B	FG2/68
	CX.119950	Cover, trip (Mod. 1300) .....	1	—		
	A.E.I.					
10CV/0005101	GJ/5M	Diode (Mod. 2188) .....	1	—	B	FG2/68A
	40SS4374	Duct, cable (Pre-Mod. 980) .....	3	—		
	45SS4374	Duct, cable (Make from 26DC/6340) .....	1	—		
	40SS4623	Duct, cable (Mod. 980) .....	3	—		
	47SS4623	Duct, cable (Mod. 969) .....	3	—		
5L/9953271	—	Filament .....	3	—	C	
<b>FUSES, IN CABIN, GROUP (1V9851) .....</b>						
Spares for:—						
10H/1043043	AS.2.5	Fuse, 2.5 amp., Type "S" .....	153	—	C	
10H/9718192	AS.5	Fuse, 5 amp., Type "S" .....	203	—	C	
10H/23863	AS.7.5	Fuse, 7.5 amp., Type "S" .....	4	—	C	
10H/9718191	AS.10	Fuse, 10 amp., Type "S" .....	15	—	C	
10H/1043045	AS.15	Fuse, 15 amp., Type "S" .....	6	—	C	
10H/23860	AS.20	Fuse, 20 amp., Type "S" .....	14	—	C	
10H/0590113	—	Fuse, 7 amp., end on type .....	6	—	C	
10H/0590111	—	Fuse, 3 amp., end on type .....	23	—	C	
10H/0590112	—	Fuse, 5 amp., end on type .....	3	—	C	
	1Z12045	HOLDER, SWITCH, GROUP (Mod. 2201) .....	1	—		
Spares for:—						
28D/1212956	A61/24C	Bolt, 2 BA .....	1	—	C	
	2Z12045	BRACKET, MOUNTING, GROUP .....	1	—	—	FG7/68B
1433883	3Z12045	CAP, GROUP .....	1	—	C	FG7/68C
	10Z7720	Holder, button switch .....	1	—	MR	FG7/68D
	AS2809/4/212	Tube, distance .....	1	—		
5CZ/1961	—	Horn, warning .....	1	—	A	FG2/69
5Q/25659	—	Indicator .....	1	—	A	
<b>INSTALLATION OF PRESSURE ERROR CORRECTION UNIT (S3788) (Mod. 2292)</b>						
Spares for:—						
28F/4051888	B/AS6693	Adaptor .....	1	—	C	
28F/4051954	BB/AS6693	Adaptor .....	1	—	C	
	2S3788	Bracket .....	1	—		
28F/9475201	AGS952/BB	Collar .....	1	—	C	
28F/9439531	AGS952/B	Collar .....	1	—	C	
	5S3788	CLAMP, HALF, GROUP .....	1	—		
	9S3788	Gauge, 961 mm. ....	1	—		
	10S3788	Gauge, 961 mm. ....	1	—		
6A/6208619	KOLLSMAN LB4340-00-091	Module, correction .....	1	—	A	FG7/68E

ELECTRICAL INSTALLATION  
CREW'S NACELLE

Ref. No.	Part No.	Description	No. off	Matl. Spec.	Cl. of	Plate and Illust'n No.
					St. M.R.	
		1 2 3 4				
		INSTALLATION OF PRESSURE ERROR CORRECTION UNIT (S3788) (Mod. 2292) (Cont'd)				
	3S3788	Spares for:— PLATE, SUPPORT, GROUP .....	1	—		
		Attachments for:— (3S3788)				
28D/1010658	A25/1B	Bolt, 4 BA .....	2	—	C	
28D/1008149	A25/2B	Bolt, 4 BA .....	2	—	C	
28W/9419465	SP13/B	Washer .....	4	—	C	
	AGS3098	Ring, "O" .....	1	—		
	AGS3099	Ring, "O" .....	1	—		
28F/9717654	AGS2111	Sleeve .....	1	—	C	
28F/1015879	AGS904/BB	Sleeve .....	1	—	C	
	AS2811/5/284	Tube, distance .....	2	—		
6A/6203321	KOLLSMAN L83271-00-000	Unit, pressure error correction .....	1	—	A	FG7/68F
		Attachments for:— (L83271-00-000)				
28D/1212401	A25/C30	Bolt, 2 BA .....	2	—	C	
28M/9419542	A103/BP	Nut .....	3	—	C	
	A205/B20	Screw .....	3	—		
28W/9419475	SP15/C	Washer .....	2	—	C	
28W/9129655	SP122/B	Washer .....	3	—	C	

ELECTRICAL INSTALLATION  
CREW'S NACELLE

Ref. No.	Part No.	Description	No. off	Matl. Spec.	Cl. of	Plate and Illust'n No.
					St. M.R.	
		1 2 3 4				
		INSTALLATION OF JUNCTION AND RELAY BOX, AFT OF NAV'S. STATION (V15396) (Mod. 2177)				
		Spares for:—				
	7V15396	Angle .....	1	—		
	2V15396	BOX, JUNCTION, LESS WIRING AND EQUIPMENT, GROUP	1	—		FG69A
	CANNON MC.14E.8.3SN	Connector .....	1	—	—	FG7/69B
	6V15396	Fairlead, half .....	2	—	—	FG7/69C
5X/12952	CANNON CA2182/9	Receptacle .....	1	—	C	FG7/69D
	DIAMOND 'H' LTD.					
5CW/1144843	BS.115.B1B.1C3	Relay .....	3	—	B	FG7/69E
	9920V7909	CABLE (F3476), RELAY 822, GROUP (Mod. 2284) 1 off	1	—		
	4044V7909	CABLE (F4044), RELAY 822 TO SELECTOR, GROUP	1	—		
	4045V7909	CABLE (F4045), J/B STOWAGE SOCKET TO R.B.W. SELECTOR, GROUP	1	—		
	4049V7909	CABLE (F4049), RELAY 824 TO EARTH, GROUP	1	—		
	4050V7909	CABLE (F4050), NAVIGATOR'S PANEL, GROUP	1	—		
	4051V7909	CABLE (F4051), NAVIGATOR'S PANEL, GROUP	1	—		
	4052V7909	CABLE (F4052), NAVIGATOR'S PANEL TO EARTH, GROUP	1	—		
	4053V7909	CABLE (F4053), NAVIGATOR'S PANEL, GROUP	1	—		

ELECTRICAL INSTALLATION

CREW'S NACELLE

Ref. No.	Part No.	Description	No. off	Matl. Spec.	Cl. of St.	Plate and Illust'n No.
					M.R.	
		1 2 3 4				
		INSTALLATION OF JUNCTION AND RELAY BOX, AFT OF NAV's. STATION (V15396) (Mod. 2177) (Continued)				
	4054V7909	CABLE (F4054), NAVIGATOR'S PANEL TO J/B STOWAGE SOCKET, GROUP	1	—		
	4055V7909	CABLE (F4055), NAVIGATOR'S PANEL, GROUP	1	—		
	4056V7909	CABLE (F4056), NAVIGATOR'S PANEL, GROUP	1	—		
	10V15396	Plate	1	L72		
	9V15396	Spigot	2	S96		
5CX/4330002	—	Lamp, cockpit	3	—	B	FG2/70
5CX/1059365	—	Lamp, warning	1	—	C	
5L/9962237	—	Lamp, fluorescent, red, 115V, 4W	4	—	C	
	553SS6065	Label (Mod. 2299)	1	—		

## ELECTRICAL INSTALLATION

## CREW'S NACELLE

Ref. No.	Part No.	Description	No. off	Matl. Spec.	Cl. of St.	Plate and Illust'n No.
					M.R.	
		1 2 3 4				
		MOUNTING, PANEL 75P, BELOW FLOOR, STARBOARD (V9166)				
	1V9164	Spares for:— PANEL, FUSE 75P, GROUP .....	1	—		FG2/71
7633	2V9164	Spares for:— COVER, GROUP .....	1	—	C	FG2/72
	3V9164	FUSEBOARD, RED, GROUP .....	1	—		FG2/73
	4V9164	FUSEBOARD, YELLOW, GROUP .....	1	—		FG2/74
	5V9164	FUSEBOARD, BLUE, GROUP .....	1	—		FG2/75
5K/4345990	HELLERMANN HV3113	Grommet, 14 way .....	4	—	C	FG2/76
	9V11946	Label, stick on type (Mod. 2156) .....	1	—		
	1V9165	PANEL, GROUP .....	1	—		FG2/77
1433472	15SS5302	Bush, ring lock (Mod. 2182) .....	1	—	C	
1505026	5V9166	Cover, for transformer (Mod. 2182) .....	1	—	C	FG2/77A
	407/8/2199/002	Transformer (Mod. 2182) .....	1	—		FG2/77B
		MOUNTING OF EQUIPMENT STOWAGE FOR AIR MONITORING SYSTEM (1V17789) (Mod. 2390 S.O.O.)				
	2V17789	Spares for:— BRACKET, MOUNTING, GROUP .....	1	—		
28D/1007972	A125 1/2 C	Attachments for (2V17789) Bolt .....	4	—	C	
28M/1012015	AGS2001/C1/66	Nut, stiff .....	4	—	C	
28W/9419475	SP15/C	Washer .....	4	—	C	
28M/1987493	AGS2001/A1	Nut, stiff .....	36	—	C	
	25BNC75-4-9C	Panel, jack .....	6	—		
	HELLERMANN					
5X/2224276	418618/12	Receptacle, dummy .....	1	—	C	
5X/2221822	418618/14	Receptacle, dummy .....	2	—	C	
5X/2221821	418618/16	Receptacle, dummy .....	1	—	C	
28S/1006948	A32/A12	Screw .....	36	—	C	
28W/9419464	SP13/A	Washer .....	36	—	C	
		MOUNTING, 68P (V9120) .....				
	1V9326	Spares for:— PANEL, 68P, GROUP .....	1	—		FG2/78
5X/6200370	1V5650	Spares for:— Block, terminal .....	2	—	C	FG2/79
5X/4491769	1V7870	Block, earth .....	1	—	C	FG2/80
	3V8538	COVER, PANEL, GROUP .....	1	—	MR	FG2/81

## ELECTRICAL INSTALLATION

## CREW'S NACELLE

Ref. No.	Part No.	Description				No. off	Matl. Spec.	Cl. of St.	Plate and Illust'n No.
		1	2	3	4			M.R.	
		MOUNTING, 68P (V9120) (Continued)							
	4V9326				Guard, resistor .....	1	L.72	C	FG2/82
	100V7728				Label, "TB.100" .....	1	DTD213		FG2/83
	101V7728				Label, "TB.101" .....	1	DTD213		FG2/84
	102V7728				Label, "TB.102" .....	1	DTD213		FG2/85
10AJ/153	1V9336				LOOM, CABLE, GROUP .....	1	—		
	—				Mounting, A.V. (Mod. 1669) .....	4	—	B	
	1V8539				PANEL, 68P, GROUP .....	1	—		FG2/86
	S.T.C.								
	LP733615				Plate .....	19	—		FG2/87
	A.E.I.								
10CV/0005100	GJ/3M				Rectifier .....	19	—	B	FG2/88
	S.T.C.								
5CZ/6159	RS20A				Rectifier .....	7	—	B	FG2/89
10F/0530473	—				Relay, type 4190HD .....	19	—	B	FG2/90
	BERCO								
	VO40				Resistor, 68 ohms .....	1	—		FG2/91
	S.T.C.								
	LP736720				Socket .....	19	—		FG2/92
	S.T.C.								
	LP733614				Spring .....	19	—		FG2/93
		MOUNTING PANELS, 50P AND 70P IN CABIN (V9288)							
		Spares for:—							
	2V9288				MOUNTING, 50P AND 70P, GROUP .....	1	—		FG2/94
	1V10230				PANEL, A.A.P.P., 70P, GROUP .....	1	—		
		(Mod. 916) (See:—Equipment Aircraft Instrument Panels)							
	1V8035				PANEL, 50P, GROUP (See:—Equipment Aircraft Instrument Panels) .....	1	—		
		MOUNTING, 69P, VENTILATED SUIT CONTROL PANEL (V9138)							FG2/95
		Spares for:—							
	4V9138				MEMBER, SUPPORT, GROUP .....	1	—		
	1V8786				PANEL, 69P, GROUP .....	1	—		FG2/96
		Spares for:—							
	3V8786				BOARD, FUSE, RED, GROUP .....	1	—		
	4V8786				BOARD, FUSE, YELLOW, GROUP .....	1	—		
	5V8786				BOARD, FUSE, BLUE, GROUP .....	1	—		
22615	2V8786				COVER, PANEL, GROUP .....	1	—	C	FG2/97

VULCAN Mk. 2

## ELECTRICAL INSTALLATION

Page FG.51

## CREW'S NACELLE

Ref. No.	Part No.	Description	No. off	Matl. Spec.	Cl. of St.	Plate and Illust'n No.
					M.R.	
		1 2 3 4				
		ELECTRICAL INSTALLATION IN CREW'S NACELLE (V9592) (V11179) (Continued)				
5V/4378627	—	MOUNTING, RATION HEATER ON CONSOLE, PORT AND STARBOARD (1Z8424 AND 1Z8425) Spares for:— Heater, ration .....	1	—	A	FG2/98
5V/4378627	—	MOUNTING, RATION HEATERS AT NAVIGATOR'S TABLE (V9372) Spares for:— Heater, ration .....	3	—	A	FG2/99
5CX/4330015 5L/9952295	— — 488SS6001	MOUNTING, CABIN LAMP AND SWITCH, GROUP Spares for:— Dome, glass .....	1	—	C	FG2/100
		Filament, 24V, 12 watt .....	1	—	C	FG2/101
		Label, cabin light .....	1	DTD213		
22691	21V4650	LAMP, CABIN, GROUP .....	1	—	A	FG2/102
		Consisting of:—				
26FP/13930	21aV4650	Cable, unirubber .....	1	—		
5CX/4330014	13SS3529	Grommet .....	1	—	C	FG2/103
	—	Lamp .....	1	—	A	
5CW/6209279	ROTAX D5406	Switch .....	1	—	A	FG2/104
	—	MOUNTING PANEL, 9P, STARBOARD SIDE (1V6317) (Pre-Mod. 748) (25V6317) (Mod. 748) Spares for:—	—	—		
	12V6317	MEMBER, PANEL MOUNTING, GROUP .....	1	—		FG2/105
	—	PANEL, FIXED, TOP PORTION, 9P (1V6581) (See:—Equipment—Aircraft—Instrument Panels)			Ref.	
	—	PANEL, HINGED PORTION, 9P (1V8966) (Mod. 532) (See:—Equipment—Aircraft—Instrument Panels)			Ref.	
	—	MOUNTING, CENTRE CONSOLE BREAK, PORT AND STARBOARD (9 AND 10V6912) Spares for:—				
	11V6912	GUARD, PLUG BREAK, PORT, GROUP .....	1	—		FG2/106
	12V6912	GUARD, PLUG BREAK, STARBOARD, GROUP .....	1	—		FG2/107
	—	Spares for:—				
28FP/ 9491457	AJ4/30	Fastener, Dzus .....	6	—	C	FG2/108
28FP/ 9430915	GA/4250	Grommet .....	6	—	C	FG2/109

ELECTRICAL INSTALLATION  
CREW'S NACELLE

Ref. No.	Part No.	Description	No. off	Matl. Spec.	Cl. of St.	Plate and Illust'n No.
					M.R.	
		1 2 3 4				
28D/1010658	A25/1B 2V9206 FERRANTI	MOUNTING, CONTROL UNIT, FOR ARTIFICIAL HORIZON ON PILOT'S FLOOR (V9206) Consisting of:— Bolt, 4 BA .....	2	—	C	FG2/110
		Bracket, attachment .....	1	S521	—	FG2/111
6A/4337782	—	Unit, control .....	1	—	A	FG2/112
28W/9419401	SP10/B	Washer, 4 BA .....	2	—	C	FG2/113
6A/4834	—	MOUNTING, AMPLIFIER, FOR 100,000 FT., ALTIMETER (V9339) Spares for:— Amplifier .....	1	—	A	FG2/114
6A/5326	—	Tray, mounting .....	1	—	B	FG2/115
28FP/9520205	5V6838	MOUNTING, TIME DELAY UNIT, FORWARD OF FORMER 260, PORT (V8419) Spares for:— COVER, TIME DELAY UNIT, GROUP .....	1	—	—	FG2/116
28FP/1200486	A3/20	Fastener, Dzus .....	1	—	C	FG2/117
5D/1420	S3/150	Spring .....	1	—	C	FG2/118
	—	Unit, time delay .....	1	—	A	FG2/119
5X/1056133	2Z11672	MOUNTING, FOR CONTROL UNIT, TYPE 551 (1Z11672) (Mod. 2072) Spares for:— BRACKET, MOUNTING, GROUP .....	1	—	—	FG5/119A
5X/9998066	3Z11672	BRACKET, MOUNTING, GROUP .....	1	—	—	
	5Z11672	PLATE, BLANKING, GROUP .....	1	—	—	
	5aZ11672	Spares for:— Plate .....	1	—	—	
	CANNON	Receptacle .....	1	—	—	
	CA-2182-16	Receptacle .....	1	—	—	
	CA-2182-7	MOUNTING OF PLUG BREAK 1219 .....	—	—	—	FG5/119B
5X/9472622	2Z11676 PLESSEY 508/1/04865/100 1219SS6039	(1Z11676) (Mod. 2072) Spares for:— Bracket, mounting .....	1	—	—	
		Cap. dust .....	1	—	—	
		Label .....	1	—	—	
28D/9133012	4R5015	MOUNTING OF PLUG BREAK 1245, 1246 .....	—	—	—	
28W/9419402	5R5015	(1R5015) (Mod. 2292) Spares for:— Bracket, L.H. ....	1	—	—	
28W/9419454	3R5015	Bracket, R.H. ....	1	—	—	
	SP13/C	Attachments for:— (4 & 5R5015) Bolt (Make from A25/3C) .....	3	—	C	
	SP10/C	Washer, 2 BA .....	3	—	C	
	866SS6065	Washer, 2 BA .....	3	—	C	
		Label .....	4	—	—	

## ELECTRICAL INSTALLATION

## CREW'S NACELLE

Ref. No.	Part No.	Description	No. off	Matl. Spec.	Cl. of St.	Plate and Illust'n No.	
					M.R.		
		1	2	3	4		
		MOUNTING, 3P PORT AND 4P, STARBOARD (56 AND 26V6565) (Mod. 1388)					
	50V6565	Spares for:— BOX, SWITCH, GROUP (Mod. 2294) .....	1	—		FG4/119G	
	51V6565	Spares for:— BOX, GROUP .....	1	—			
	52V6565	PLATE, SWITCH, GROUP .....	1	—			
	66SS6039	Spares for:— Label .....	1	—			
	67SS6039	Label .....	1	—			
1432715	68SS6039	Label .....	1	—		C	
1432716	69SS6039	Label .....	1	—		C	
		Attachments for:—Switch Plate, Part No. 52V6565					
28D/1010658	A25/1B	Bolt, 4 BA .....	4	—		C	
28W/9419465	SP13/B	Washer, 4 BA .....	4	—		C	
	53V6565	Plate, packing, 22G x 2-1/4" x 2-5/8" .....	1	L72			
5CW/4408110	—	Switch, single pole .....	3	—		C	
		Attachments for:—Switch Box, Part No. 50V6565					
28D/1218384	AS1248/1B	Bolt, 4 BA .....	8	—		C	
28W/9419465	SP13/B	Washer, 4 BA .....	8	—		C	
11619	35V6565	COVER, FORWARD, TROUGH, PORT, .....	1	—		C	FG3/120
	5V6565	GROUP COVER, FORWARD, TROUGH, STARBOARD, GROUP .....	1	—		MR	FG3/121
		Spares for:—					
28FP/9488815	A4/30	Fastener, dzus .....	8	—		C	FG3/122
28FP/9430915	GA.4/250	Grommet .....	8	—		C	FG3/123
	6V5962	Nut, knurled, for troughs .....	3	S1		MR	FG3/124
	21V7911	PANEL, MAIN FUSE AND TB.3P, PORT, .....	1	—			
	30V7911	GROUP (Pre-Mod. 702) PANEL, MAIN FUSE AND TB.3P, PORT, .....	1	—			FG3/125
		GROUP (Mod. 702) Spares for:—					
10AK/0519005	BURGESS V.L.R.1	Actuator, for V3 micro switch .....	2	—		C	
	8V6312	BASE, SPARE STOWAGE PANEL, 3P, .....	1	—		MR	FG3/126
		GROUP					
5X/4491769	1V7870	Block, earthing .....	5	—		C	FG3/127
5X/4491775	1V7871	Block, connector .....	2	—		C	FG3/128
5X/6200370	1V5650	Block, terminal .....	41	—		C	FG3/129
5X/4500057	—	Block, fuse, 12 way, type "S" .....	12	—		C	FG3/130
	2V7911	Bracket, rectifier mounting .....	1	—		—	FG3/131
12262	33V7911	Bracket, rectifier mounting .....	1	—		C	FG3/132

**ELECTRICAL INSTALLATION**  
**CREW'S NACELLE**

Ref. No.	Part No.	Description	No. off	Matl. Spec.	Cl. of St.	Plate and Illust'n No.	
					M.R.		
		1	2	3	4		
		PANEL, MAIN FUSE AND TB.3P, PORT, GROUP (Mod. 702 and 1388) (Continued)					
	1SS4204	Bush, ring lock .....	2	—		FG3/133	
	11SS4204	Bush, ring lock .....	1	—	MR	FG3/134	
	5V7911	Connector .....	12	—		FG3/135	
	12V6312	CASE, STOWAGE, LANYARD, GROUP ..	1	—		FG3/136	
	6V7911	CABLE, GROUP .....	1	—			
5CY/4520	—	Cover, circuit breaker .....	12	—	C	FG3/137	
5CX/4330056	—	Cover, terminal .....	6	—	C	FG3/138	
	9V6312	Cover, fuse, stowage (Pre-Mod. 702) .....	1	—	MR		
	9V7911	Cover, fuse, stowage (Mod. 702) .....	1	—		FG3/139	
8525	3V7911	COVER, PANEL, L.H., GROUP .....	1	—	C		
		(Pre-Mod. 702)					
22669	8V7911	COVER, PANEL, L.H., GROUP .....	1	—	C	FG3/140	
		(Mod. 702)					
8527	4V7911	COVER, PANEL, R.H., GROUP .....	1	—	C		
		(Pre-Mod. 702)					
22670	12V7911	COVER, PANEL, R.H., GROUP .....	1	—		FG3/141	
		Spares for:—					
28FP/9425770	AJ5/35	Fastener, dzus .....	10	—	C		
28FP/9425771	GA5/312	Grommet .....	10	—	C		
5CY/5311	B.T.H. LGA.12/B1/1	Circuit, breaker .....	3	—	B	FG3/142	
5CY/4376481	B.T.H. LGA.24/B1	Circuit, breaker .....	9	—	B	FG3/143	
10CV/0372039	A.E.I. GJ5M	Diode (Mod. 2352) .....	1	—		FG3/143A	
	7V7912	Fairlead .....	6	—		FG3/144	
	10V6314	Fairlead .....	2	—		FG3/145	
5L/9951273	—	Filament, 28V, 2.5 watt .....	1	—	C	FG3/146	
5L/9951283	—	Filament, red .....	6	—	C	FG3/147	
5CW/4222	ZA2401/1	Guard, switch .....	1	—	C	FG3/148	
22671	3SS2877	Grommet .....	1	—	C		
26TA/14746	1SS2877	Grommet .....	1	—	C		
5CW/4408701	DN.1320.Z1	Grommet (Mod. 2316) .....	1	—	C		
	28V8455	Label (Mod. 2156) .....	1	—			
	867SS6065	Label (Mod. 2352) .....	1	—			
	14V6312	Lanyard .....	1	—		FG3/149	
5CX/1085825	—	Lampholder .....	6	—	B	FG3/150	
5CX/6362199	—	Lampholder, warning .....	1	—	B	FG3/151	
5X/4500058	AS2765	Link, commoning, 2 way (Mod. 2292) .....	1	—	—		
5X/1059339	AS2766	Link, commoning, 3 way .....	2	—	C		
5X/4500061	AS2768	Link, commoning, 5 way (Mod. 2258) .....	3	—	C		
5X/4500063	AS2770	Link, commoning, 7 way (Mod. 2258) .....	2	—	C		
		(Mod. 2292)					
5X/1042903	AS2771	Link, commoning, 8 way .....	1	—	C		
5X/4500066	AS2774	Link, commoning, 11 way .....	1	—	C		
5X/1059340	AS2775	Link, commoning, 12 way .....	6	—	C		
	7V7911	Link, commoning .....	1	—		FG3/152	
12263	34V7911	Link, commoning .....	1	—		FG3/153	

## ELECTRICAL INSTALLATION

## CREW'S NACELLE

Ref. No.	Part No.	Description	No. off	Matl. Spec.	Cl. of St.	Plate and Illust'n No.
					M.R.	
		1 2 3 4				
		PANEL, MAIN FUSE AND TB. 3P, PORT GROUP (Mod. 702 and 1388) (Continued)				
11491	32V7911	LINK, RECTIFIER, GROUP .....	1	—	C	
	1V17405	LOOM, CABLE, GROUP (Pre-Mod. 2374) ..	1	—		
	1V17535	LOOM, CABLE, GROUP (Mod. 2374) .....	1	—		
	1V17406	LOOM, CABLE, GROUP (Pre-Mod. 2374) ..	1	—		
	1V17536	LOOM, CABLE, GROUP (Mod. 2374) .....	1	—		
11492	12V7912	MOUNTING, RECTIFIER, GROUP .....	1	—	C	FG3/154
		(Mod. 1407) Spares for:—				
	13V7912	Bracket .....	1	—		FG3/155
10CV/ 0373571	FERRANTI ZR22	Rectifier .....	2	—	B	FG3/156
	31V8199	PANEL, 3P, GROUP (Pre-Mod. 702) .....	1	—		
	39V8199	PANEL, 3P, GROUP (Mod. 702) .....	1	—		
		Spares for:—				
	571SS6065	Label (Mod. 2316) .....	1	—		
	572SS6065	Label (Mod. 2316) .....	1	—		
	573SS6065	Label (Mod. 2316) .....	1	—		
5CW/4405759	ROTAX N136931	Plate, shroud fixing .....	3	—	C	FG3/157
	2SS4624	Plate, shroud fixing .....	1	—		FG3/158
10CV/ 0005101	B.T.H. GJ/5M	Rectifier (Mod. 1781) .....	7	—	B	FG3/159
5CW/4400162	PLESSEY 7CZ/103739/1	Relay, 2 pole .....	5	—	B	FG3/160
5CW/4400161	PLESSEY 7CZ/105411/1	Relay, 4 pole .....	7	—	B	FG3/161

ELECTRICAL INSTALLATION

CREW'S NACELLE

Ref. No.	Part No.	Description				No. off	Matl. Spec.	Cl. of St.	Plate and Illust'n No.
		1	2	3	4			M.R.	
		PANEL, MAIN FUSE AND TB. 3P, PORT (21 and 30V7911) (Continued)							
5CZ/4335636	BERCO RAH K0					1	—	C	
5X/4500053	—					148	—	C	
5X/4491487	14V5650					9	—	C	FG3/162
5X/4491488	15V5650					188	—	C	FG3/163
5CW/6209280	ROTAX D5404					1	—	B	FG3/164
5CW/1047695	D5407					2	—	B	FG3/165
5CW/1083934	BURGESS V3					2	—	B	FG3/166
5CW/6209279	CWC EQUIPMENT XD778					1	—	B	FG3/167
5CW/4405758	ROTAX N136930					3	—	C	FG3/168
	13V6312					2	—		
5CW/4408107	DOWTY AS10512/B2					1	—	C	

VULCAN Mk. 2

## ELECTRICAL INSTALLATION

Page FG. 55

## CREW'S NACELLE

Ref. No.	Part No.	Description	No. off	Matl. Spec.	Cl. of St.	Plate and Illust'n No.
					M.R.	
		1 2 3 4				
	1V7912	PANEL, MAIN FUSE AND REPLAY 4P, ..... STARBOARD, GROUP (Pre-Mod. 702)	1	—		
	9V7912	PANEL, MAIN FUSE AND REPLAY 4P, ..... STARBOARD, GROUP (Mod. 702) Spares for:—	1	—	—	FG4/169
10AR/ 0519005	BURGESS V.L.R. 1	Actuator, for micro switch .....	2	—	C	FG4/170
5X/4491775	1V7871	Block, connector .....	3	—	C	FG4/711
5X/4491769	1V7870	Block, earthing .....	4	—	C	FG4/172
5X/6200370	1V5650	Block, terminal .....	41	—	C	FG4/173
5X/4500057	AS2739	Block, fuse, 12-way .....	10	—	C	FG4/174
5X/4500051	AS2736	Block, fuse, 6-way .....	1	—	C	FG4/165
5X/4500052	—	Block, fuse, 12-way .....	1	—	C	FG4/176
	41SS5302	Bush, ring lock .....	1	—	MR	FG4/177
26TA/60040	31SS5302	Bush, ring lock .....	1	—	C	FG4/178
	11SS4204	Bush, ring lock .....	2	—	MR	FG4/179
	5V7911	Connector, copper .....	12	—	—	FG4/180
	12V6312	CASE, STOWAGE, LANYARD, GROUP	1	—	—	FG4/181
	6V7912	Cable, assy., unipren 12, 4'—0" long .....	1	—		
5CY/4520	—	Cover, circuit breaker .....	12	—	C	FG4/182
5CX/4330056	—	Cover, terminal .....	6	—	C	
	9V6312	Cover, spare fuse stowage (Pre-Mod. 702)	1	—	MR	
	9V7911	Cover, spare fuse stowage (Mod. 702) ...	1	—	—	FG4/183
8526	3V7912	COVER, PANEL, L.H., GROUP .....	1	—	C	FG4/184
		(Pre-Mod. 702)				
8528	4V7912	COVER, PANEL, R.H., GROUP .....	1	—	C	FG4/185
		(Pre-Mod. 702)				
17834	8V7912	COVER, PANEL, R.H., GROUP .....	1	—	C	
		(Mod. 702)				
1510184	11V7912	COVER, PANEL, L.H., GROUP .....	1	—	C	
		(Mod. 702)				
		Spares for:—				
28FP/9425770	AJ5/35	Fastener, dzus .....	18	—	C	
28FP/9425771	GA5/312	Grommet, dzus .....	18	—	C	
	11V11794	Label (Mod. 2258) .....	1	—		
	1V11794	Label .....	1	—		
	B.T.H.					
5CY/5311	L.G.A.12/B1/1	Circuit-breaker .....	3	—	A	FG4/186
5CY/4376481	L.G.A.24/B/1	Circuit-breaker .....	9	—	A	FG4/187
	7V7912	Fairlead .....	2	—		FG4/188
	10V6314	Fairlead .....	6	—	—	FG4/189
5L/9951273	—	Filament, 28V, 3.5 watt .....	1	—	C	
5L/9951283	—	Filament, red .....	6	—	C	FG4/190

ELECTRICAL INSTALLATION

CREW'S NACELLE

Ref. No.	Part No.	Description	No. off	Matl. Spec.	Cl. of St.	Plate and Illust'n No.	
					M.R.		
		1 2 3 4					
PANEL, MAIN FUSE AND RELAY 4P, STARBOARD (V7912) (Continued)							
26TA/14746 22671	1SS2877	Grommet .....	1	—	C	FG4/191	
	3SS2877	Grommet .....	1	—	C		
	28V8455	Label (Mod. 2156) .....	1	—			
	542SS6065	Label (Mod. 2299) .....	1	—			
	645SS6065	Label (Mod. 2299) .....	1	—			
	14V6312	Lanyard .....	1	—	MR		
	5CX/108525	—	Lampholder .....	6	—		B
	5CX/63262199	—	Lampholder, warning .....	1	—		B
	5X/4500058	AS2765	Link, commoning, 2-way .....	1	—		C
	5X/1059339	AS2766	Link, commoning, 3-way .....	2	—		C
	5X/1059338	AS2767	Link, commoning, 4-way .....	1	—		C
	5X/4500061	AS2768	Link, commoning, 5-way .....	2	—		C
	5X/4500062	AS2769	Link, commoning, 6-way .....	2	—		C
	5X/4500063	AS2770	Link, commoning, 7-way .....	2	—		C
5X/4500066	AS2771	Link, commoning, 11-way .....	1	—	C		
5X/1059340	AS2775	Link, commoning, 12-way .....	6	—	C		
	16V7912	Link, commoning .....	1	—	—	FG4/192	
11491	32V7911	LINK, RECTIFIER, GROUP .....	1	—	C	FG4/193	
	1V9879	LOOM, CABLE, GROUP (Pre-Mod. 748) .....	1	—			
	1V14183	LOOM, CABLE, GROUP (Pre-Mod. 2255) .....	1	—			
	1V15488	LOOM, CABLE, GROUP (Mod. 2255) .....	1	—			
	1V17088	LOOM, CABLE, GROUP (Mod. 2333) .....	1	—			
	1V14182	LOOM, CABLE, GROUP (Pre-Mod. 2255) .....	1	—			
	1V15840	LOOM, CABLE, GROUP (Mod. 2255) .....	1	—			
	1V17089	LOOM, CABLE, GROUP (Mod.2333) .....	1	—			
11492	12V7912	MOUNTING, RECTIFIER, GROUP .....	1	—	B		
		Spares for:—					
	13V7812	Bracket .....	1	—		FG4/194	
	FERRANTI						
10CV/0373571	ZR22	Rectifier .....	2	—	B	FG4/195	
	1V8200	PANEL, 4P, GROUP (Pre-Mod. 702) .....	1	—			
	19V8200	PANEL, 4P, GROUP (Mod. 702) .....	1	—		FG4/196	
	1V17788	MOUNTING, FUSE BLOCK, FOR AIR .....					
		MONITORING SYSTEM (Mod. 2390 S.O.O.)					
		Spares for:—					
5X/4500050	5H/73	Block, fuse .....	1	—	C		
		Attachment for 5H/73					
28S/1200033	A31/B24	Screw .....	2	—	C		
28M/1278189	AGS2001/B1	Nut, stiff .....	2	—	C		
28W/9419401	SP10/B	Washer .....	2	—	C		
	ENG. ELEC.						
10H/1043045	AS15	Fuse, S, type 15 amp .....	1	—	C		
10H/1043043	AS2.5	Fuse, S, type 2.5 amp .....	1	—	C		
5X/1059339	—	Link, commoning .....	1	—	C		

VULCAN Mk. 2

## ELECTRICAL INSTALLATION

Page FG. 57

## CREW'S NACELLE

Ref. No.	Part No.	Description	No. off	Matl. Spec.	Cl. of	Plate and Illust'n No.
					St.	
		1 2 3 4				
		PANEL, MAIN FUSE AND RELAY 4P, STARBOARD, (V7912) (Continued)				
5CW/4405759	ROTAX N136931	Plate, shroud, fixing .....	2	—	C	FG4/197
	2SS4624	Plate, shroud, fixing .....	1	—		FG4/198
	16SS4624	Plate, shroud, fixing .....	1	—		
	B.T.H.					
10CV/0005100	GJ/3M	Rectifier .....	3	—	B	FG4/199
10CV/0005101	GJ/5M	Rectifier (Mod. 1781) .....	3	—	B	FG4/200
	PLESSEY					
5CW/4400162	7CZ/103739/1	Relay, type CH2/C028/10 .....	10	—	A	FG4/201
5CW/4400161	7CZ/105411/1	Relay, type CH4/C028/10 .....	4	—	A	FG4/202
	DIAMOND 'H'					
5CW/4400546	BR150/C3P/1C	Relay (Mod. 1666) .....	1	—	B	FG4/203
5CW/4400265	BR210/C3P/1	Relay .....	2	—	B	FG4/204
5CW/5191808	BR101/PS	Socket, ceramic .....	3	—	B	FG4/205
5X/9522351	—	Socket, terminal .....	148	—	C	
5X/4491487	14V5650	Socket, double .....	9	—	C	FG4/206
5X/4491488	15V5650	Socket, single .....	188	—	C	FG4/207
5CX/1057503	EL31772	Screen, lamp .....	6	—	C	FG4/208
	ROTAX					
5CW/4405758	N136930	Shroud .....	2	—	C	FG4/209
	13V6312	Stud, for case .....	2	—		
	ROTAX					
5CW/6209280	D5404	Switch .....	1	—	B	FG4/210
5CW/1047695	D5407	Switch .....	1	—	B	FG4/211
	BURGESS					
5CW/1083934	V3	Switch, micro, type V3 .....	2	—	A	FG4/212
	13Z7384					
	299SS6002	SWITCH, GROUP (Mod. 2333) .....	1	—		
		Spares for:—				
		Label .....	1	—		
5CW/4407828		Switch .....	1	—	B	
	15V6565	Strip, clamping, for troughs .....	3	L.72	MR	FG4/213
	49V6565	TROUGH, CABLE, FORWARD, PORT .....	1	—		FG4/214
	4V6565	GROUP (Mod. 1388)				
		TROUGH, CABLE, FORWARD, STAR- .....	1	—		FG4/215
		BOARD, GROUP				
		Spares for:—				
3523	9V5897	Bolt .....	3	L.40	C	FG4/216
		TROUGH, CABLE, AFT, 3P, PORT, .....	1	—		
		(38V6566) (Mod. 1388)				
		TROUGH, CABLE, AFT 4P, STAR- .....	1	—		
		BOARD (12V6566)				
		Spares for:—				
	5V6566	COVER, AFT, GROUP .....	1	—	MR	FG4/217
	11V6566	COVER, AFT, GROUP .....	1	—		FG4/218
	18V6566	COVER, AFT, GROUP .....	2	—		
		Spares for:—				
28FP/9144248	A4/25	Fastener, dzus .....	6	—	C	
28FP/9430915	GA4/250	Grommet .....	6	—	C	

VULCAN Mk. 2		ELECTRICAL INSTALLATION					
Page FG. 58		CREW'S NACELLE					
Ref. No.	Part No.	Description	No. off	Matl. Spec.	Cl. of St.	Plate and Illust'n No.	
					M.R.		
		1	2	3	4		
		TROUGH, CABLE, AFT 3P, PORT AND 4P, STARBOARD (12 AND 38V6566) (Continued)					
	6V5962	Nut, knurled .....	4	—	MR		
	35V6566	TROUGH, AFT, PORT, GROUP .....	1	—	—	FG4/219	
	15V6566	TROUGH, AFT, STARBOARD, GROUP .....	1	—	—	FG4/220	
		Spares for:—					
	27V6565	Clamp, spring .....	10	—			
4690	8V6566	Bolt, for fairlead .....	16	S11	C		
	27V6566	Bolt, special .....	1	L83			
3523	9V5897	Bolt, special .....	4	L40	C		
	36V6566	Fairlead, half .....	2	BSS2372			
	20V6566	Fairlead, half, starboard .....	2	BSS2966/38			
	4cV6566	Fairlead, half, starboard .....	2	BSS972			
	4dV6566	Fairlead, half, starboard .....	2	BSS972			
	13V6566	Fairlead, port .....	1	BS2572			
	16V6566	Fairlead, half, port .....	2	BS2572			
26FP/5008	21SS4204	Grommet .....	1	—	C		
28FP/9430916	S4/200	Spring, dzus .....	12	—	C		
		MOUNTING, PANEL, 34J, GROUP (1V9121)					
		Spares for:—					
	1V9104	BOX, JUNCTION, GROUP .....	1	—	—	FG5/221	
		Spares for:—					
5X/6200370	1V5650	Block, terminal .....	2	—	C	FG5/222	
	8V6099	LID, 34J, GROUP .....	1	—	—	FG5/223	
		Spares for:—					
28FP/101431	A3/25	Fastener, Dzus .....	4	—	C	FG5/224	
28FP/9434075	GA3/175	Grommet, Dzus .....	4	—	C	FG5/225	
5X/4491487	14V5650	Socket, double .....	3	—	C	FG5/226	
5X/4491488	15V5650	Socket, single .....	4	—	C	FG5/227	
28FP/9434091	S4/175	Spring, Dzus .....	4	—	C	FG5/228	
		MOUNTING, GYRO UNIT (YAW DAMPER) (S2144) (See Controls—Auto Stabilizer)					
		MOUNTING, I.L.S. AND POWER SWITCHES (1V10566) (Mod. 908)					
		Spares for:—					
	1V10552	BRACKET, MOUNTING, GROUP .....	1	—	—	FG5/229	
		(Pre-Mod. 1204)					
	1V10307	BRACKET, MOUNTING, GROUP .....	1	—	—	FG5/230	
		(Mod. 1204)					
5L/9951283	—	Filament .....	1	C			

VULCAN Mk. 2

## ELECTRICAL INSTALLATION

Page FG. 59

## CREW'S NACELLE

Ref. No.	Part No.	Description	No. off	Matl. Spec.	Cl. of St.	Plate and Illust'n No.
					M.R.	
		1 2 3 4				
		ELECTRICAL INSTALLATION IN CREW'S NACELLE (V9592) (V11179) (Continued)				
		MOUNTING, R.C.M. POWER SUPPLIES AND EXPLOSION SUPPRESSION PANEL (1T4758) (Mod. 569)				
		Spares for:—				
	3T4758	BRACKET, GROUP .....	1	—	—	FG5/231
5X/6200370	1V5650	Block, terminal .....	1	—	C	FG5/232
22672	5T4758	Collar, indicator mounting .....	1	DTD130	—	FG5/233
	PLESSEY					
5CZ/4337692	7CZ/107626/32	Indicator, 3 position, drum type .....	1	—	B	FG5/234
	9V6329	LAMP, GROUP .....	2	—	—	FG5/235
		Consisting of:—				
5CX/6362199	—	Lampholder .....	2	—	—	FG5/236
5L/9962110	HIVAC CC5L	Lamp .....	2	—	C	FG5/237
	2T4758	PANEL, GROUP .....	1	—	—	FG5/238
5CW/5060	—	Shroud .....	12	—	C	FG5/239
5X/4491488	15V5650	Socket .....	5	—	B	FG5/240
	DOWTY					
5CW/9438526	C5162Y Mk 3	Switch .....	7	—	B	FG5/241
5CW/6362390	C5162Y Mk 4	Switch .....	6	—	B	FG5/242
	1V6663	MOUNTING, PLUG AND TERMINAL BLOCK BREAK, PORT, GROUP	1	—	—	FG5/243
	2V6663	MOUNTING, PLUG AND TERMINAL BLOCK BREAK, STARBOARD, GROUP	1	—	—	FG5/244
		MOUNTING, SYNCHRONIZED MONITORY UNIT (1V9199)				
		Spares for:—				
	2V9199	RAIL, MOUNTING, GROUP .....	1	—	—	FG5/245
	3V9199	RAIL, MOUNTING, GROUP .....	1	—	—	FG5/246
5UC/1177380	ENG. ELECT. AE7508103 MK2	Unit, monitoring .....	1	—	A	FG5/247
		MOUNTING, RESISTANCE UNIT FOR WINDSCREEN WIPER MOTOR, PORT AND STARBOARD (9610V6814)				
		Spares for:—				
	1V9375	UNIT, RESISTANCE, PORT, GROUP .....	1	—	—	FG5/248
	2V9375	UNIT, RESISTANCE, STARBOARD GROUP	1	—	—	FG5/249
		Spares for:—				
	1V6775	BOX, STRUCTURE, PORT, GROUP .....	1	—	—	

## ELECTRICAL INSTALLATION

## CREW'S NACELLE

Ref. No.	Part No.	Description	No. off	Matl. Spec.	Cl. of St.	Plate and Illust'n No.
					M.R.	
		1 2 3 4				
		UNIT, RESISTANCE, PORT AND STARBOARD, GROUP (1 and 2V9375) (Continued)				
	5V6775	BOX, STRUCTURE, STARBOARD, GROUP				
2845	4V6772	LID, PANEL, GROUP .....	1	—	—	FG5/249A
		Spares for:—				
28FP/9144248	A4/25	Fastener, Dzus .....	4	—	C	
28FP/9430915	GA4/250	Grommet .....	4	—	C	
	4V9375	RESISTANCE, GROUP .....	1	—	—	FG5/249B
		Consisting of:—				
	3aV6772	Angle, mounting .....	2	L72		
	3bV6772	Bush .....	2	BSS972		
	3dV6772	Bush .....	2	BSS972		
28M/1990760	AGS2002/C/4	Nut, stiff, 2 BA .....	4	—	C	
28M/9129528	A54/C	Nut, thin, 2 BA .....	5	—	C	
	BERCO					
	C60/3	Resistor, 60 watt, 3.0 ohms .....	2	—		
	3fV6772	Rod, screwed .....	1	BSS249		
	3gV6772	Rod, screwed .....	1	BSS249		
	3hV6772	Tube, distance .....	2	BSS886		
	3cV6772	Washer, special .....	4	BSS972		
	AGS1582/13	Washer, 4 BA .....	8	—		
	V9361	LOOM, CABLE, GROUP .....	1	—		
	PLESSEY					
5CW/4400162	7CZ/103739/1	Relay .....	1	—	A	FG5/249C
		MOUNTING, ALTERNATOR CONTROL SWITCH PANEL, 10P, GROUP (See:—Equipment Aircraft Instrument Panel)				
		MOUNTING, OIL TEMP GAUGES AND LAMP ABOVE 70P PANEL, AT FORMER 246, GROUP (V11249) (Mod. 1284) Spares for:—				
5L/9953271	—	Filament .....	5	—	B	FG5/250
	SANGAMO					
	WESTON					
6A/4339152	S127/FORM5/75	Gauge, temperature .....	2	—	—	FG5/251
5CX/366	—	Lamp, red .....	2	—	B	FG5/252
	2V11249	PANEL, GROUP .....	1	—	—	FG5/253
5CW/2531	—	Switch, dimmer .....	1	—	A	FG5/254
		MOUNTING, RESISTANCE BOXES ON PORT SIDE (1V9463) (Mod. 517) Spares for:—				
	SANGAMO					
	WESTON					
	FD521/2	BOX, accessory (10 sets only) .....	4	—	—	FG5/255

## ELECTRICAL INSTALLATION

## CREW'S NACELLE

Ref. No.	Part No.	Description	No. off	Matl. Spec.	Cl. of St.	Plate and Illust'n No.
					M.R.	
		1 2 3 4				
		MOUNTING, RESISTANCE BOXES ON PORT SIDE (1V9463) (Mod. 517) (Continued)				
5Q/25660	—	BOX, accessory (less 10 sets) .....	4	—	A	FG5/256
22673	10V9463	COVER, GROUP .....	1	—	C	FG5/257
28FP/ 9434075	GA3/175	Spares for:— Grommet .....	4	—	C	FG5/258
10AJ/135	—	Mounting, anti-vibration .....	4	—	B	FG5/259
10A/19429	—	Washer, check .....	4	—	C	FG5/260
	1V7720	PANEL, RADIO AND RADAR SUPPLY 11P, .. GROUP (Pre-Mod. 702)	1	—		FG5/261
	13V7720	PANEL, RADIO AND RADAR SUPPLY 11P, .. GROUP (Mod. 702)	1	—		FG6/262
		Spares for:—				
5X/6200370	1V5650	Block, terminal .....	6	—	C	FG6/263
5X/4491775	1V7871	Block, terminal .....	1	—	C	FG6/264
5X/4500051	—	Block, fuse, 6-way .....	5	—	C	FG6/265
5X/4500052	—	Block, fuse, 12-way .....	1	—	C	FG6/266
	8V7720	Bracket, mounting, relay .....	1	L72		FG6/267
	2V7720	BRACKET, MOUNTING, TORQUE SWITCH, GROUP	1	—		FG6/268
	5V7720	Busbar .....	3	—		FG6/269
	6V7720	Busbar .....	1	—		FG6/270
7631	7V7720	COVER, PANEL, GROUP (Pre-Mod. 702) ...	1	—	C	FG7/271
	12V7720	COVER, PANEL, GROUP (Mod. 702) .....	1	—		FG6/272
		Spares for:—				
28FP/ 9425770	AJ5/35	Fastener .....	14	—	C	FG6/273
28FP/9425771	GA5/312	Grommet .....	14	—	C	FG6/274
	115V6375	Label, 853 to 858 .....	1	L72		
	135V6375	Label, 320 to 338 .....	1	L59		
	136V6375	Label, 342 to 347 .....	1	L59		
	137V6375	Label, 339 to 341 .....	1	L59		
	167V6375	Label, 350R to 355R .....	1	L59		
	168V6375	Label, 350B to 355B .....	1	L59		
	406V7728	Label, "TB.406" .....	1	L72		
	497V7728	Label, "TB.407" .....	1	L72		
	408V7728	Label, "TB.408" .....	1	L72		
	409V7728	Label, "TB.409" .....	1	L72		
	410V7728	Label, "TB.410" .....	1	L72		
	411V7728	Label, "TB.411" .....	1	L72		
	1589V7728	Label, "TB.1589" .....	1	L72		
	1590V7728	Label, "TB.1590" .....	1	L72		
5X/4500058	AS2765	Link, commoning, 2-way .....	5	—	C	
5X/1059339	AS2766	Link, commoning, 3-way .....	2	—	C	

ELECTRICAL INSTALLATION  
CREW'S NACELLE

Ref. No.	Part No.	Description	No. off	Matl. Spec.	Cl. of	Plate and Illust'n No.
					St. M.R.	
		1 2 3 4				
		PANEL, RADIO AND RADAR SUPPLY, 11P, GROUP (1V7720) (Pre-Mod. 702) (13V7720) (Mod. 702) (Continued)				
5X/4500061	AS2768	Link, commoning, 5-way .....	1	—	C	
5X/4500062	AS2769	Link, commoning, 6-way .....	2	—	C	
5X/1042903	AS2771	Link, commoning, 8-way .....	1	—	C	
	1V10026	LOOM, CABLE, GROUP (Pre-Mod. 748) ....	1	—		
	1V12059	LOOM, CABLE, GROUP (Mod. 1522) .....	1	—		
	1V18246	LOOM, CABLE (Mod. 2396) .....	1	—		
	1V7723	PANEL, GROUP (Pre Mod. 702) .....	1	—		
	10V7723	PANEL, GROUP (Mod. 702) .....	1	—		
10CV/ 0005100	B.T.H. GJ/3M	Rectifier, germanium .....	2	—	B	
10F/0530250	—	Relay .....	1	—	B	FG6/275
5CW/4400162	PLESSEY 7CZ/103739/2	Relay, 2-pole .....	4	—	A	FG6/276
5CW/4400161	PLESSEY 7CZ/105411/2	Relay, 4-pole .....	1	—	A	FG6/277
5CW/3943	—	Relay, type S2 .....	2	—	A	FG6/278
5CW/4400265	DIAMOND 'H' R210/C3P/1	Relay (Mod. 748) .....	1	—	A	FG6/279
5CW/5191808	DIAMOND 'H' BR101/PS	Socket, ceramic .....	1	—	B	FG6/280
5X/4500053	—	Socket .....	44	—	C	
5X/4491779	5V7871	Socket, single .....	3	—	C	FG6/281
5X/4491488	15V5650	Socket, single .....	24	—	C	FG6/282
5X/4491487	14V5650	Socket, double .....	4	—	C	FG6/283
5CY/4376390	—	Suppressor, "02" .....	1	—	A	FG6/284
5CY/5177	V6826	Suppressor .....	1	—	A	FG6/285
4692	V6790	Suppressor .....	1	—	A	FG6/286
5CW/5907	SMITH'S E.A.P.2340	Switch, torque .....	2	—	A	FG6/287
	ENGLISH ELECTRIC AE5600	UNIT, under voltage sequence (Mod. 2396) ..	1	—	A	FG6/287A
	12V6757	Washer, insulating .....	8	—		FG6/288
	1V8038	PANEL, 28V, DISTRIBUTION, 48P, GROUP ..	1	—		FG6/289
		Spares for:—				
5X/6200370	1V5650	Block, terminal, TB.297 .....	1	—	C	FG6/290
5X/4491769	1V7870	Block, terminal, TB.296 .....	1	—	C	FG6/291
	2V8038	COVER, PANEL, GROUP .....	1	—	MR	FG6/292
		Spares for:—				
28FP/ 9425770	AJ5/35	Fastener .....	4	—	C	FG6/293
28FP/ 9425771	GA5/312	Grommet .....	4	—	C	FG6/294
	1V8469	Label .....	1	—		FG6/295
5X/4500057	AS2739	Block, fuse, 12-way .....	4	—	C	FG6/296
	B.T.H.					
5CY/4376489	L.G.A.35/B1	Circuit, breaker .....	6	—	A	FG6/297
	B.T.H.					
5CY/4376481	L.G.A.24/B1	Circuit, breaker .....	1	—	A	FG6/298

## ELECTRICAL INSTALLATION

## CREW'S NACELLE

Ref. No.	Part No.	Description	No. off	Mtrl. Spec.	Cl. of St.	Plate and Illust'n No.
					M.R.	
		1 2 3 4				
		PANEL, 28V DISTRIBUTION, 48P, GROUP (1V8038) (Continued)				
	108V6375	Label, 685 to 696 .....	1	L72		
	109V6375	Label, 695 to 708 .....	1	L72		
	110V6375	Label, 709 to 720 .....	1	L72		
	111V6375	Label, 721 to 732 .....	1	L72		
	296V7728	Label, "TB.296" .....	1	L72		
	297V7728	Label, "TB.297" .....	1	L72		
5X/4500058	AS2765	Link, commoning, 2-way (Mod. 1900) .....	1	—	C	
5X/4500065	AS2773	Link, commoning, 10-way (Mod. 1900) .....	1	—	C	
5X/4500066	AS2774	Link, commoning, 11-way .....	1	—	C	FG6/299
5X/1059340	AS2775	Link, commoning, 12-way .....	3	—	C	FG6/300
	1V13767	Loom, CABLE, GROUP (Mod. 1900) .....	1	—		
		(Pre-Mod. 2396)				
	1V18516	LOOM, CABLE, GROUP (Mod. 748) .....	1	—		
		(Mod. 2369)				
	1V18517	LOOM, CABLE, GROUP (Pre-Mod. 748) .....	1	—		
		(Mod. 2396)				
	1V8039	PANEL, GROUP .....	1	—		FG3/301
	PLESSEY					
5CW/1050498	7CZ/97225/1	Relay, single pole .....	1	—	A	FG6/302
5X/4500053	—	Socket, terminal .....	56	—	C	
	3V8038	Strip, connector .....	1	—		FG6/303
	1V8021	PANEL, DISTRIBUTION, 24P, GROUP .....	1	—		FG6/304
	2V8021	PANEL, DISTRIBUTION, 25P, GROUP .....	1	—		FG6/305
		Spares for:—				
5X/4491769	1V7870	Block, earth .....	1	—	C	FG6/306
5X/6200370	1V5650	Block, terminal .....	5	—	C	FG6/307
5X/4500057	AS2739	Block, fuse, 12-way .....	2	—	C	FG6/308
7628	3V8021	COVER, REMOVABLE, 24P, GROUP .....	1	—	C	FG6/309
7629	4V8021	COVER, REMOVABLE, 25P, GROUP .....	1	—	C	FG6/310
	542SS6065	Label (Mod. 5299) .....	1	—		
	645SS6065	Label (Mod. 2299) .....	1	—		
	1V17421	LOOM, CABLE, 24P, GROUP (Mod. 2292) ...	1	—		
	1V12089	LOOM, CABLE, 25P, GROUP .....	1	—		
	7V8022	PANEL, LESS EQUIPMENT, 24P, GROUP ...	1	—		
	1V8022	PANEL, LESS EQUIPMENT, 25P, GROUP ...	1	—	MR	
5X/4500053	—	Socket, terminal .....	28	—	C	
		PANEL, 71P, PORT AND 72P, STARBOARD (1V and 2V9074)				
		Spares for:—				
5X/4491769	1V7870	Block, earth .....	1	—	C	FG7/311
5X/4500051	AS2736	Block, fuse, 6-way .....	3	—	C	FG7/312
	3V9074	BOX, 71P, GROUP .....	1	—		FG7/313

ELECTRICAL INSTALLATION  
CREW'S NACELLE

Ref. No.	Part No.	Description	No. off	Matl. Spec.	Cl. of St.	Plate and Illust'n No.
					M.R.	
		1 2 3 4				
		PANEL, 81P, PORT AND 72P, STARBOARD (1 and 2V9074) (Continued)				
	10V9074	BOX, 72P, GROUP .....	1	-	-	FG7/314
	7V9074	BRACKET, RELAY, 71P, GROUP .....	1	-	-	FG7/315
	8V9074	BRACKET, RELAY, 72P, GROUP .....	1	-	-	FG7/316
7636	5V9074	LID, BOX, 71P, GROUP .....	1	-	C	FG7/317
	6V9074	LID, BOX, 72P, GROUP .....	1	-	MR	FG7/318
5X/4500061	AS2768	Link, commoning, 5-way, 72P (Mod. 2182) ..	2	-	C	
5X/4500062	AS2769	Link, commoning, 6-way .....	1	-	C	FG7/319
	1V11903	LOOM, CABLE, 71P, GROUP (Pre-Mod. 2214)	1	-		
	1V17422	LOOM, CABLE, 71P, GROUP (Mod. 2292) ..	1	-		
	1V15173	LOOM, CABLE, 72P, GROUP (Mod. 2182) ..	1	-		
5CW/4400265	R210/C3P/1	Relay .....	1	-	A	FG7/320
	DIAMOND 'H'					
5CW/5191808	BR101/PS	SOCKET, ceramic .....	1	-	B	FG7/321
	1V11167	PANEL, MOUNTING, PISTON INERTIA .....	1	-	-	FG7/322
		SWITCHES, GROUP (Mod. 1222)				
	1V11168	PANEL, MOUNTING, PISTON INERTIA .....	1	-	-	FG7/323
		SWITCHES, GROUP (Mod. 1222)				
		PANEL, 100P, GROUP (1V10722) (Mod. 969)				
		Spares for:-				
	4V10758	BOX, JUNCTION, 100P, GROUP .....	1	-		FG7/324
		(Pre-Mod. 2143)				
1433187	14V10758	BOX, JUNCTION, 100P, GROUP .....	1	-	A	
		(Mod. 2143)				
		Spares for:-				
5X/6200370	1V5650	Block, terminal .....	7	-	C	FG7/325
5X/4491769	1V7870	Block, earth .....	1	-	B	FG7/326
17491	10V10758	Busbar .....	1	-	C	FG7/327
17492	11V10758	Busbar .....	2	-	C	FG7/328
17493	12V10758	Busbar .....	2	-	C	FG7/329
17494	13V10758	Busbar .....	1	-	C	FG7/330
	PLESSEY					
5UC/4375029	7CZ/106800/11	Controller, Mk. 3, type 4 (Pre-Mod. 2077) .	3	-	A	FG7/331
5UC/4374989	7CZ/106800/9	Controller, type H (Mod. 2077) .....	3	-	A	FG7/332
	GRAVINER					
10H/0590109	-	Fuse, 1 amp. ....	3	-	C	FG7/333

VULCAN Mk. 2		ELECTRICAL INSTALLATION				Page FG. 65			
		CREW'S NACELLE							
Ref. No.	Part No.	Description				No. off	Matl. Spec.	Cl. of St.	Plate and Illust'n No.
								M.R.	
		1	2	3	4				
		BOX, JUNCTION, 100P, GROUP (4V10758) (Pre-Mod. 2143) (14V10758) (Mod. 2143) (Continued)							
	GRAVINER L1382					3	—		FG7/334
	6V10758					1	—	MR	FG7/335
28FP/ 9144248	A4/25					8	—	C	FG7/336
28FP/ 9430915	GA4/250					8	—	C	FG7/337
	1V13371					1	—		
	1V14899					1	—		
	1V16562					1	—		
1433376	15V10758					1	—	C	FG7/338
	PLESSEY								
5CW/4400161	7CZ/105411/1					5	—	A	FG7/339
	ROTAX								
5CW/4405094	D6311					3	—	A	FG7/340
5CW/4408110	—					1	—	B	FG7/341
	PLESSEY								
5UB/4343072	407/1/90113					1	—	A	FG7/342
	SUHNER								
	25BNC-75-4-9C					1	—		
16122	55V9592					1	—	C	
5X/4491601	—					1	—	C	
	1V17787					1	—	—	FG7/342B
10CV/5100	GJ/3M					2	—	B	FG7/343
5CW/4400162	7CZ/103729/1					13	—	A	
5CW/4400161	7CZ/105411/1					4	—	A	
	HELLERMANN								
	HDS8-S-F2-L06					1	—	—	FG7/343A
5X/1992912	418618/10					1	—	C	FG7/343B
	56V6352					2	L72		
	41Z11270					1	—	—	FG7/344
	42Z11720					1	—	—	FG7/345
5X/4491776	4V7871					1	—	C	
5X/4491779	5V7871					1	—	C	
5X/4491487	14V5650					2	—	C	
5X/4491488	15V5650					5	—	C	
	HELLERMANN								
	No. 4223					1	—		
5CY/7001363	—					3	—	A	FG7/346
	SMITH'S								
5CW/5907	EAP2340					1	—	A	FG7/347
	ROTAX								
5CW/4405094	D6311					1	—	A	FG7/348
5X/7296	—					2	—	C	
	1SS4052					9	—	MR	
	ELLIOT								
5UB/1988448	—					1	—	A	FG7/349
	7V8023					4	—		

VULCAN Mk. 2		ELECTRICAL INSTALLATION					
Page FG. 66		CREW'S NACELLE					
Ref. No.	Part No.	Description	No. off	Mati. Spec.	Cl. of St.	Plate and Illust'n No.	
					M.R.		
		1	2	3	4		
		ELECTRICAL INSTALLATION IN CREW'S NACELLE (V9592) (V11179) (Continued)					
	8V7546	TROUGH, ELECTRICS CABLE, BEHIND PILOT'S PANEL (2V11178) (Mod. 1241) Spares for:— TROUGH, GROUP (Pre-Mod. 1241) .....	1				
	19V7546	TROUGH, GROUP (Mod. 1241) .....	1	—			
5CZ/4335756	B.T.H. X2126730	Unit, lighting control .....	1	—	A	FG7/350	
6TB/4545452	107RGS/1	Unit, rate gyro, auto throttle, type A .....	1	—	A	FG7/351	
		(Pre Mod. 2263)					
6TB/4545455	101/1RGU	Unit, mounting, rate gyro, auto throttle, type A .....	1	—	B	FG7/352	
		(Pre Mod. 2263)					
5CZ/1044107	—	Unit, flasher (Pre-Mod. 2032) .....	1	—	—	FG7/353	
5D/4700443	—	Unit, time delay (Mod. 2201) .....	1	—	—	FG5/353A	
		V.H.F. SETS, LIGHT SERVICING (1V11215), GROUP (Mod. 1233) Spares for:—					
	2V11215	BRACKET, MOUNTING, GROUP .....	1	—	—	FG5/354	
5L/9953271	—	Filament, lamp .....	1	—	C	FG5/355	
	38V6355	LAMP, GROUP .....	1	—	—	FG5/356	
		Spares for:—					
5CX/4330002	—	Lamp .....	1	—	B	FG5/357	
29C/1097257	1906/1	Washer, shakeproof .....	1	—	C	FG5/358	
	1V15393	WANDER BUTTON, GROUP (Mod. 2201) .....	1	—	—	FG7/358A	
		Spares for:—					
5X/4491486	10V5650	Ferrule .....	4	—	C		
	DOWTY						
5D/4341104	DN1204/2/A/04/Y	Switch, wander button .....	1	—	C		
		WHITE, FLUORESCENT LIGHTING CONSOLE (1V9304) (Mod. 733) Spares for:—					
5CZ/4335756	B.T.H. X2126730	BOX, gear control unit .....	1	—	A	FG5/359	
	647V7909	CABLE (F647), CONTROL BOX TO PORT LAMP, GROUP .....	1	—			
	648V7909	CABLE (F648), CONTROL BOX TO PORT LAMP, GROUP .....	1	—			
	649V7909	CABLE (F649), CONTROL BOX TO STARBOARD LAMP, GROUP .....	1	—			
	650V7909	CABLE (F650), CONTROL BOX TO STARBOARD LAMP, GROUP .....	1	—			

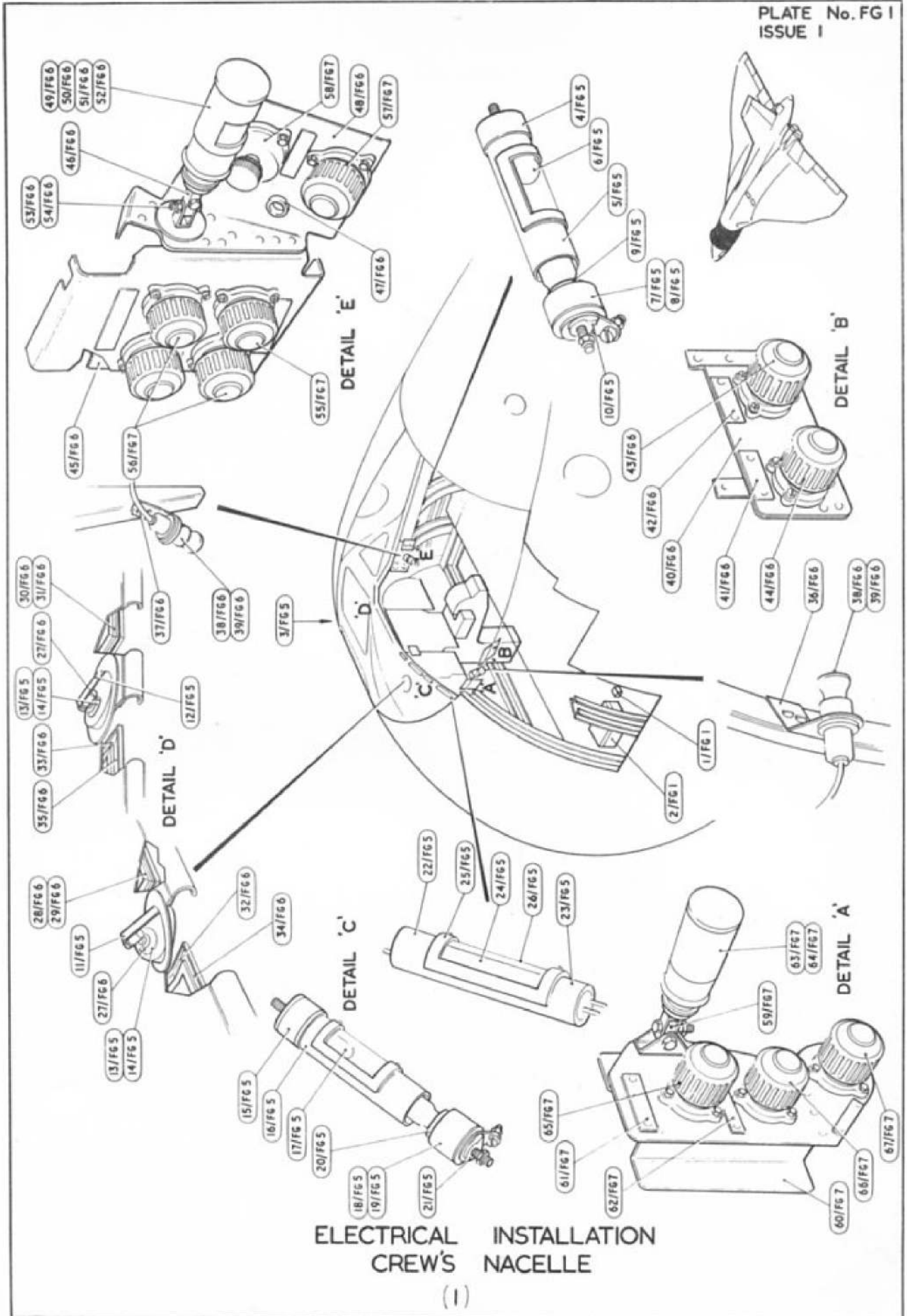
VULCAN Mk. 2

ELECTRICAL INSTALLATION

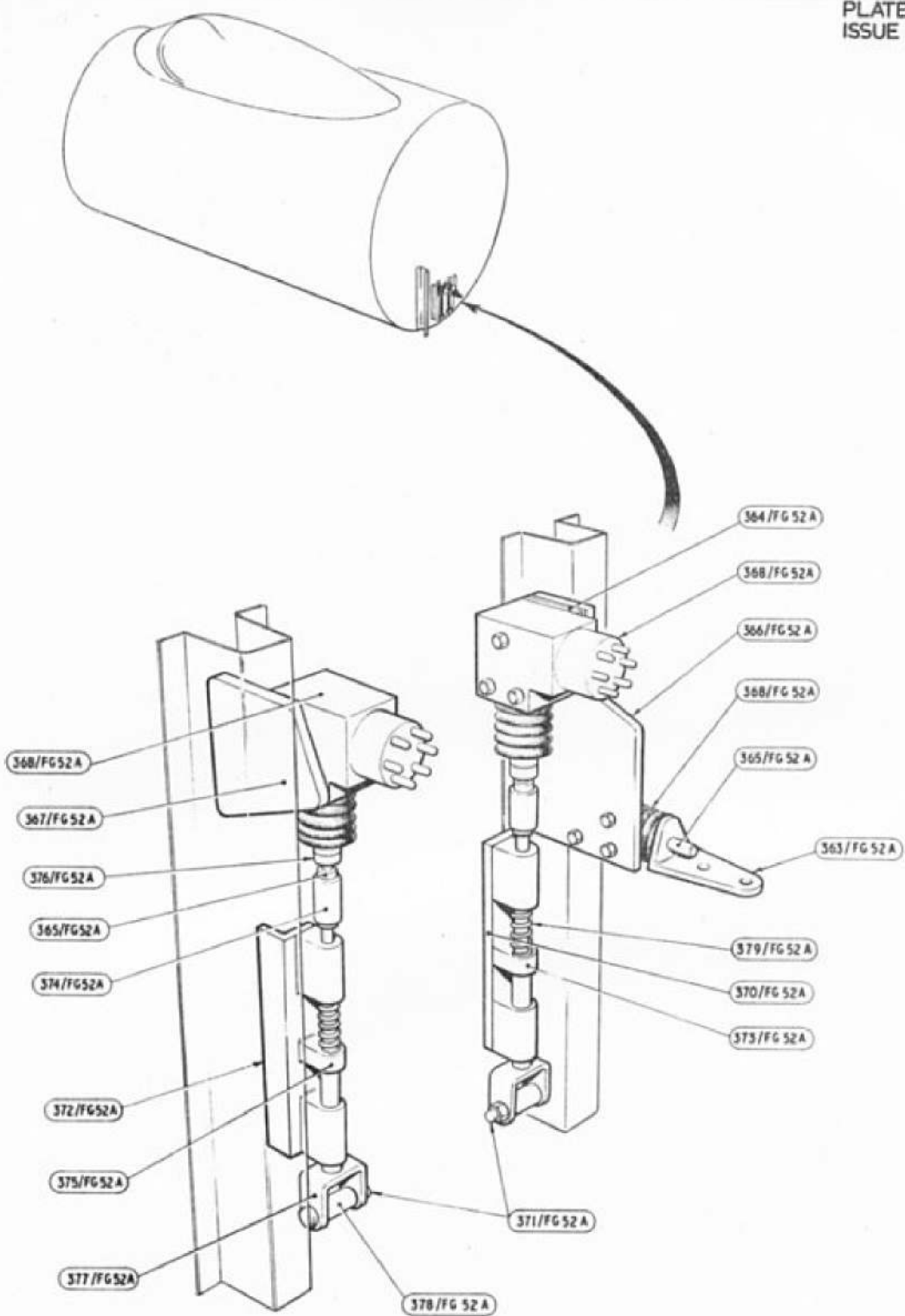
Page FG. 67

CREW'S NACELLE

Ref. No.	Part No.	Description	No. off	Matl. Spec.	Cl. of St.	Plate and Illust'n No.
					M.R.	
		1 2 3 4				
		WHITE FLUORESCENT LIGHTING CONSOLE (1V9304) (Mod. 733) (Continued)				
5L/9962236	651V7909	CABLE (F651), CONTROL BOX TO PORT SWITCH, GROUP	1	—		
	B.T.H.	Lamp, fluorescent, white, 115V, 4W	4	—	C	
	—	MOUNTING, LAMP, GROUP	2	—		FG5/360
	2V9304	MOUNTING, LAMP, GROUP	1	—		FG5/361
	4V9304	MOUNTING, LAMP, GROUP	1	—		FG5/362
	6V9304	Spares for:— COVER, GROUP	1	—		
	3V9304	Zipper tubing, for cables to 5P, 18" long	1	—		
	SUPERFLEXIT 74V9592 75V9592	Zipper tubing, for cables to 5P, 19" long (Mod. 2227)	1	—		



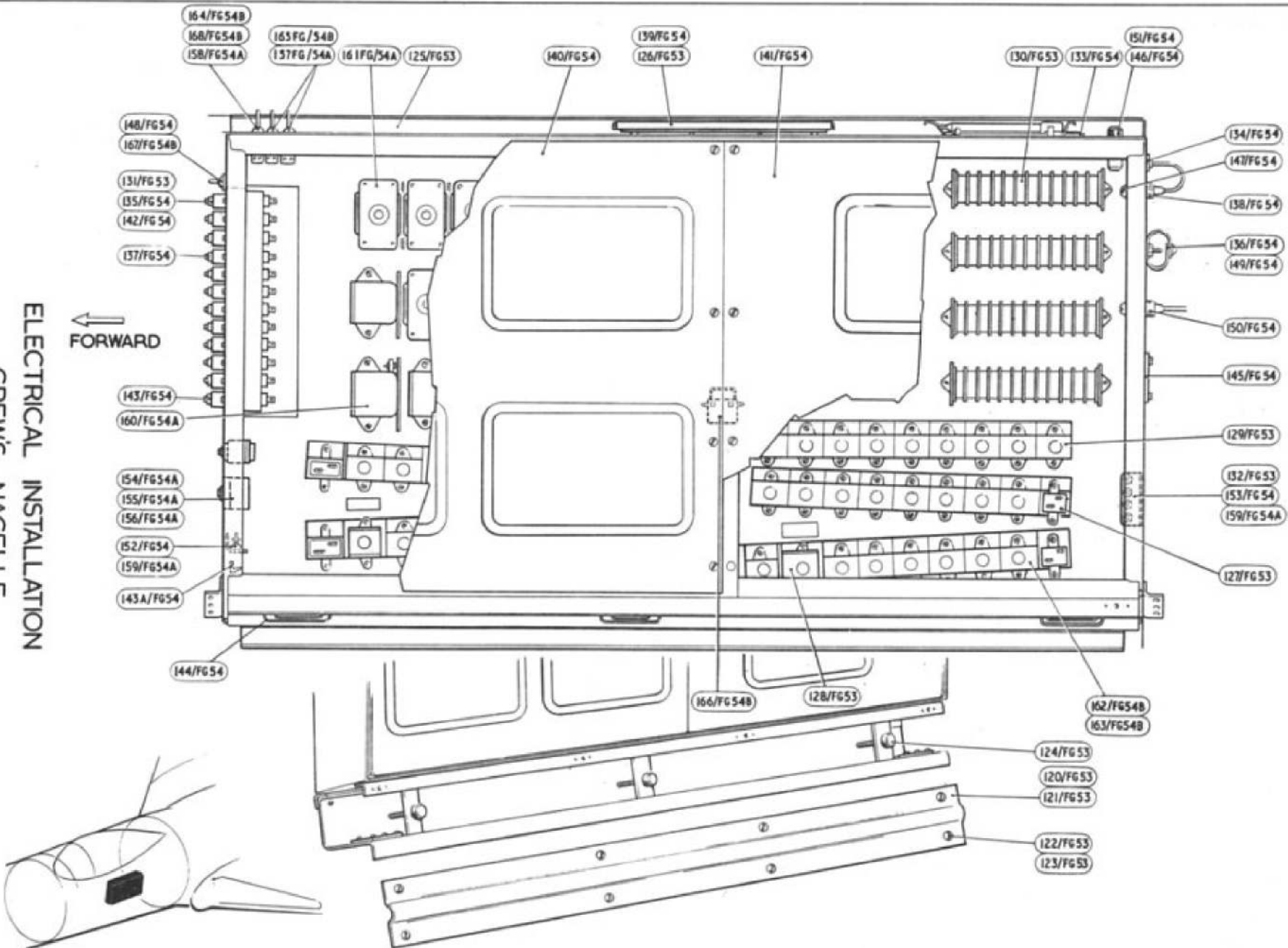




ELECTRICAL INSTALLATION CREWS NACELLE

RESTRICTED

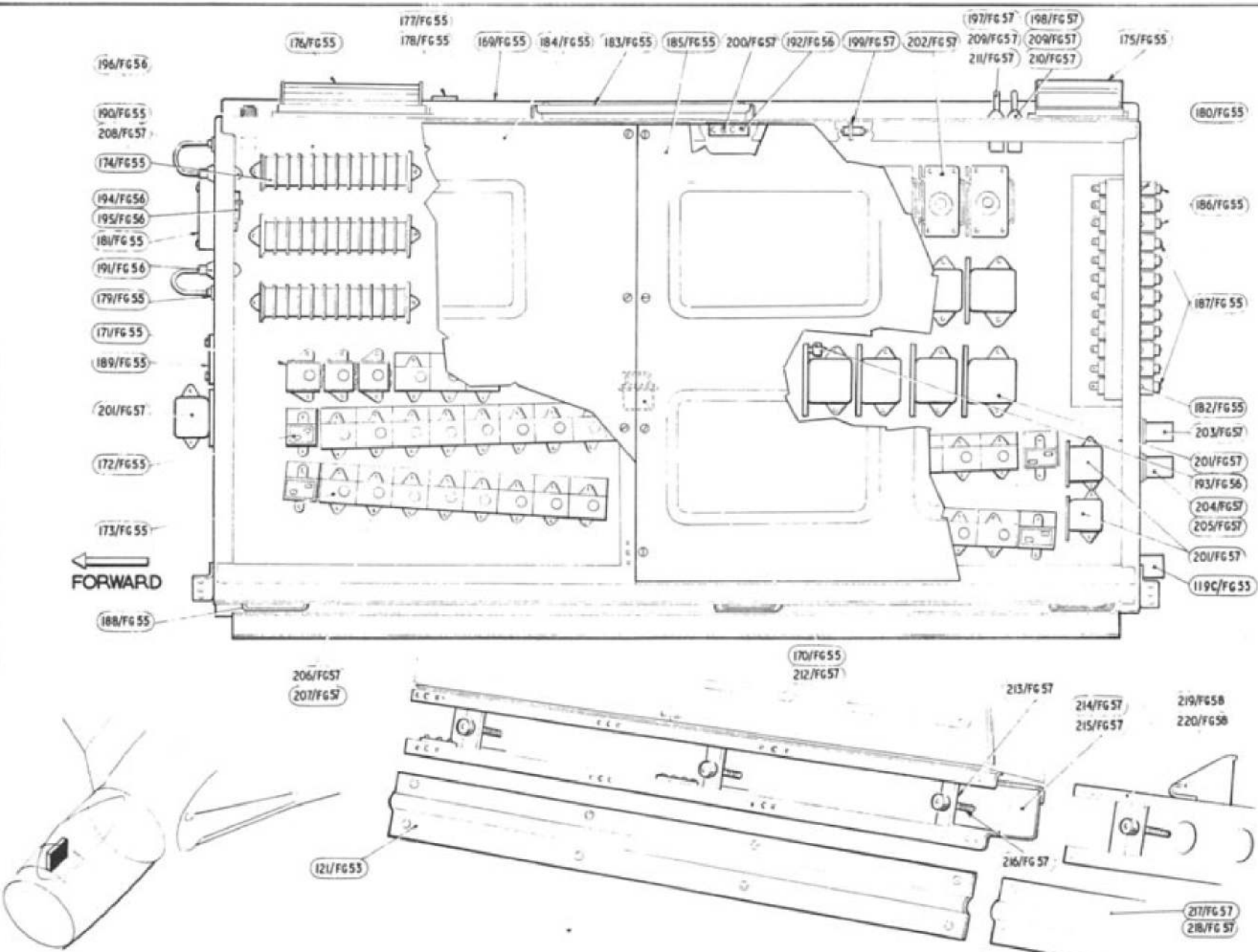
PLATE No FG3  
ISSUE 5



RESTRICTED

RESTRICTED

PLATE No. FG 4  
ISSUE 4



ELECTRICAL INSTALLATION

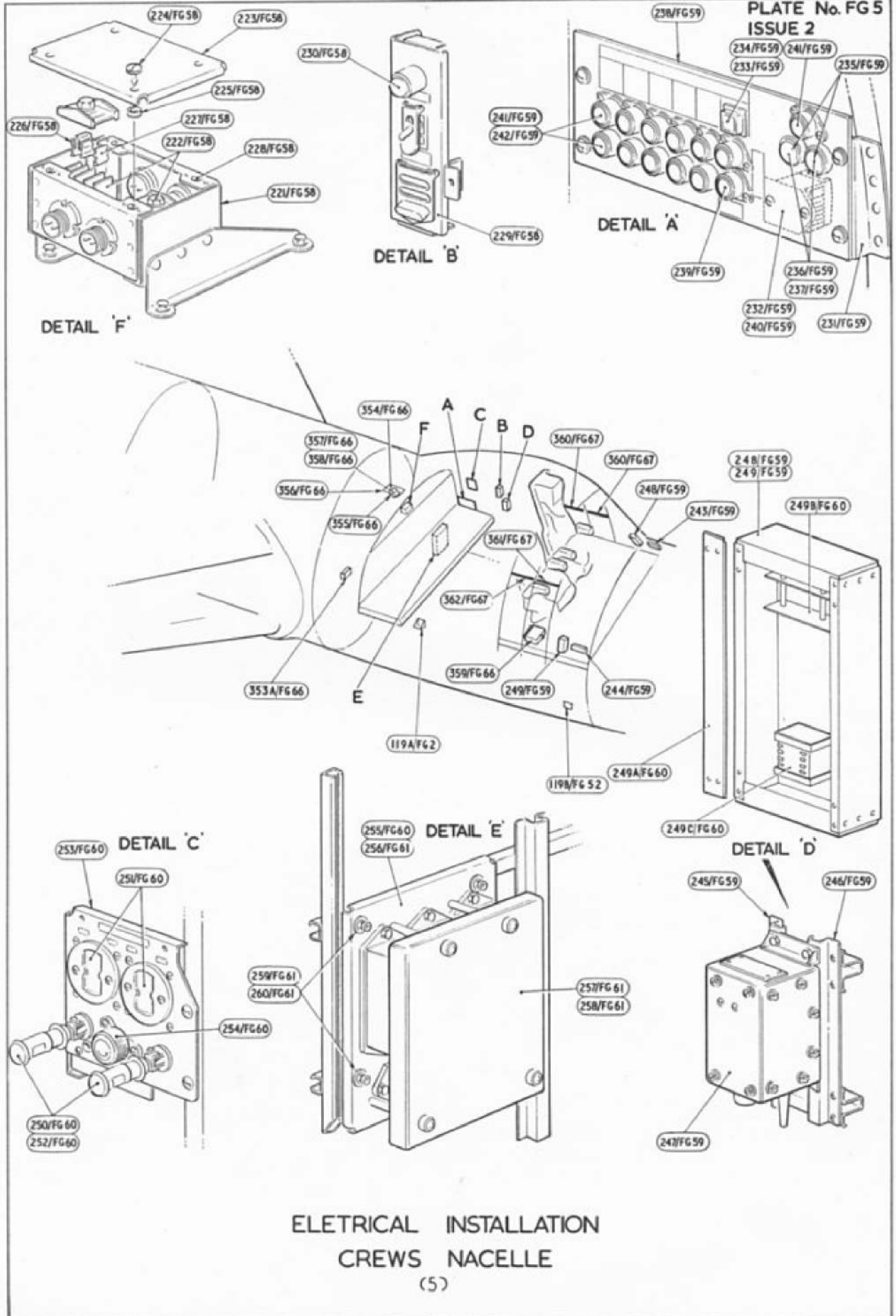
CREW'S NACELLE

(4)

RESTRICTED

RESTRICTED

PLATE No. FG 5  
ISSUE 2



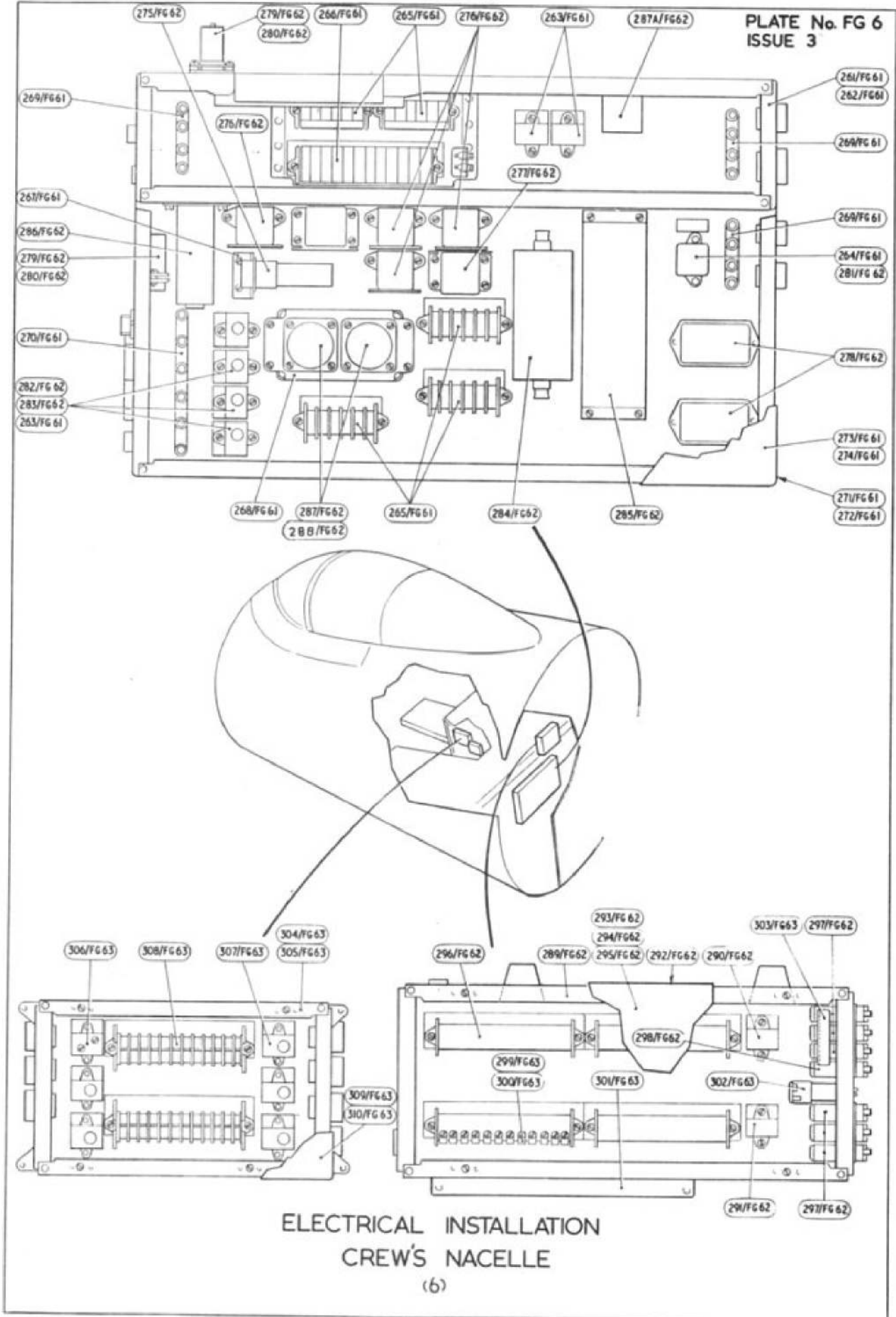
ELETRICAL INSTALLATION  
CREWS NACELLE

(5)

RESTRICTED

RESTRICTED

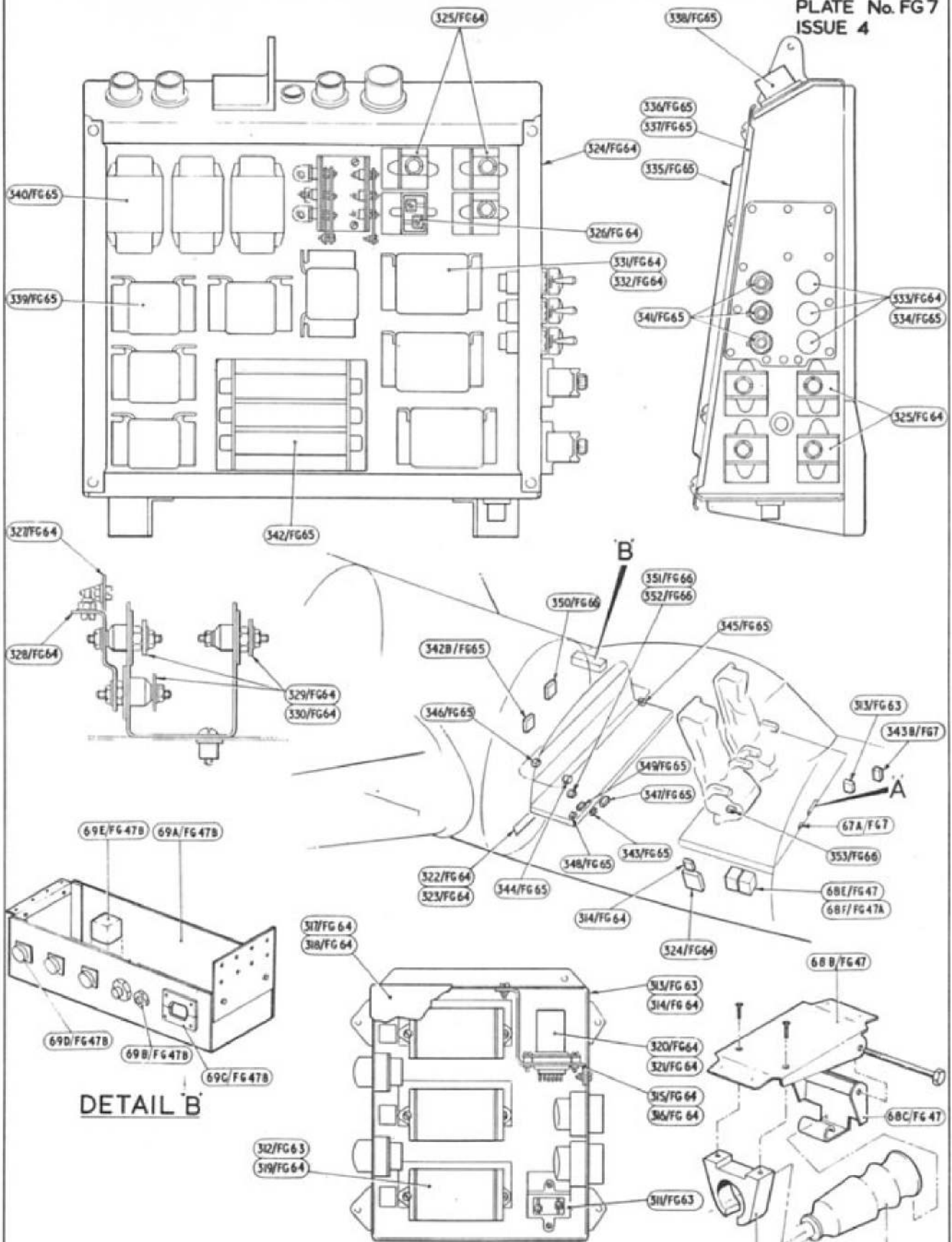
PLATE No. FG 6  
ISSUE 3



ELECTRICAL INSTALLATION  
CREW'S NACELLE

(6)

RESTRICTED



ELECTRICAL INSTALLATION  
CREW'S NACELLE  
(7)

This file was downloaded  
from the RTFM Library.

Link: [www.scottbouch.com/rtfm](http://www.scottbouch.com/rtfm)

Please see site for usage terms,  
and more aircraft documents.

