

VULCAN Mk. 2

ELECTRICAL INSTALLATION  
MAINPLANE

Ref. No.	Part No.	Description	No. off	Matl. Spec.	Cl. of St.	Plate and Illust'n No.
					M.R.	
		1 2 3 4				
		ELECTRICAL INSTALLATION, OUTER WING, INNER PORTION, PORT (1V8061) Spares for:—				
5CZ/1027621	GRAVINER D2240	Base, for relay .....	1	—	A	FJ1/1
5X/6200370	1V5650	Block, terminal (Avro type) .....	10	—	C	FJ1/2
5X/4491775	1V7871	Block, terminal .....	4	—	C	FJ1/13
	50V8061	Bracket, terminal mounting (Mod. 2398) ....	2	—		
	17V8061	BRACKET, MOUNTING, EXPLOSION SUPPRESSION TEST EQUIPMENT, No. 5 TANK, PORT, GROUP (Pre-Mod. 1744)	1	—		FJ1/4
	18V8061	Bracket, MOUNTING, EXPLOSION SUPPRESSION TANK EQUIPMENT, No. 7 TANK, PORT, GROUP (Pre-Mod. 1744)	1	—		FJ1/5
	6V8100	CABLE, (P6) TRANSPORT BREAK 37 TO No. 4 ELEVON BAY AND No. 4 TANK SECONDARY FUEL PUMP, GROUP	1	—		
	7V8100	CABLE, (P7) TRANSPORT BREAK 42 TO RELAYS 226, 227, 228 AND 230 GRP.	1	—		
	12V8100	CABLE, (P12) TRANSPORT BREAK 44 TO ELEVATOR PRESSURE SWITCH AND TB.2041, GROUP	1	—		
	23V8100	CABLE, (P23) CONDENSER TO No. 3 ELEVON MOTOR, GROUP	1	—		
	43V8100	CABLE, (P43), TRANSPORT BREAK 38 TO RELAY 229, TB.2007 AND No. 5 SECONDARY FUEL PUMP, GROUP	1	—		
	79V8100	CABLE, (P79), RELAYS 2 AND 3 TO TB's 528 AND 529, GROUP	1	—		
	109V8100	CABLE, (P109), RELAY 226 TO EARTH, GROUP	1	—		
	110V8100	CABLE, (P110), RELAY 226 TO RELAY 227, GROUP	1	—		
	111V8100	CABLE, (P111), RELAY 227 TO RELAY 228, GROUP	1	—		

ELECTRICAL INSTALLATION

MAINPLANE

Ref. No.	Part No.	Description	No. off	Matl. Spec.	Cl. of St.	Plate and Illust'n No.
					M.R.	
		1 2 3 4				
		ELECTRICAL INSTALLATION, OUTER WING, INNER PORTION, PORT (1V8061) (Cont'd)				
	112V8100	CABLE, (P112), RELAY 229 TO RELAY 230, GROUP	1	—		
	122V8100	CABLE, (P122), TO TB.2020, GROUP	1	—		
	123V8100	CABLE, (P123), TB. 2020 TO EARTH, GROUP	1	—		
	124V8100	CABLE, (P124), TB. 2015 AND EARTH, GROUP	1	—		
	134V8100	CABLE, (P134), TB. 2012 AND EARTH, GROUP	1	—		
	137V8100	CABLE, (P137), TB. 2016 AND EARTH, GROUP	1	—		
	139V8100	CABLE, (P139), TRANSPORT BREAK 43 TO PORT ELEVATORS AND TB's 2041 AND 2042, GROUP	1	—		
	149V8100	CABLE, (P149), TO TB. 2020, GROUP	1	—		
	159V8100	CABLE, (P159), 36P, PLUG 448 TO TB's 2012, 2016, 528, 534 and 2040, GROUP	—	—		
	161V8100	CABLE, (P161), 36P, PLUG, 450 TO TB's 2010, 2011 AND 2020, GROUP	1	—		
	162V8100	CABLE, (P162), 36P, PLUG 451 TO TB's 2015 AND 2039, GROUP	1	—		
	164V8100	CABLE, (P164), TB. 2011 TO T.B. 2010, GROUP	1	—		
	175V8100	CABLE, (P175), TRANSPORT BREAK 39 TO TB. 2001 AND RELAY 227, GROUP	1	—		
	177V8100	CABLE, (P177), TO TB. 2004 AND RELAY 226, GROUP	1	—		
	179V8100	CABLE, (P179), TB. 2004 AND RELAY 227 TO No. 6 TANK, GROUP	1	—		
	194V8100	CABLE, (P194), TB. 803 TO TB. 2015, GROUP	1	—		
	195V8100	CABLE, (P195), TB. 803 TO TB. 2012, GROUP	1	—		
	196V8100	CABLE, (P196), TB. 803 TO TB. 2010, GROUP	1	—		
	197V8100	CABLE, (P197), TB. 803 TO TB. 2016, GROUP	1	—		
	198V8100	CABLE, (P198), TB. 803 TO TB. 2011, GROUP	1	—		

VULCAN Mk. 2

**ELECTRICAL INSTALLATION  
MAINPLANE**

Page FJ. 3

Ref. No.	Part No.	Description	No. off	Matl. Spec.	Cl. of St.	Plate and Illust'n No.
					M.R.	
		1 2 3 4				
		<b>ELECTRICAL INSTALLATION, OUTER WING, INNER PORTION, PORT (1V8061) (Cont'd)</b>				
	209V8100	CABLE, (P209), TB. 2021 TO TB. 2023, GROUP (Pre-Mod. 1744)	1	—		
	219V8100	CABLE, (P219), FUSE TO TB. 2024, GRP. (Pre-Mod. 1744)	1	—		
	221V8100	CABLE, (P221), TRANSPORT BREAK 40 TO RELAY 230, TB. 2007 AND No. 7 SECONDARY FUEL PUMP MOTOR, GROUP	1	—		
	224V8100	CABLE, (P224), RELAY 230 TO EARTH, GROUP	1	—		
	225V8100	CABLE, (P225), No. 4 TANK TO RELAY 228 & TB. 229, GROUP	1	—		
	227V8100	CABLE, (P227), No. 5 TANK TO RELAY 229 AND TB. 2007, GROUP	1	—		
	230V8100	CABLE, (P230), No. 7 TANK TO RELAY 230 AND TB. 2007, GROUP	1	—		
	233V8100	CABLE, (P233), TRANSPORT BREAK 41 TO No. 7 TANK, GROUP	1	—		
	247V8100	CABLE, (P247), FUSE TO TB. 2022, No. 7 TANK, GROUP (Pre-Mod. 1744)	1	—		
	250V8100	CABLE, (P250), TB. 2022 TO EARTH, GROUP	1	—		
	261V8100	CABLE, (P261), RELAY UNIT TO FIRE-WIRE AND EARTH, GROUP	1	—		
	262V8100	CABLE, (P262), RELAY UNIT TO FIRE-WIRE, GROUP	1	—		
	277V8100	CABLE, (P277), TEST LAMP TO TB. 2024, GROUP (Pre-Mod. 1744)	2	—		
	280V8100	CABLE, (P280), TEST LAMP TO TB. 2022, GROUP (Pre-Mod. 1744)	2	—		
	297V8100	CABLE, (P297), TEST LAMP TO EARTH AND TB. 2024, GROUP (Pre-Mod. 1744)	1	—		
	298V8100	CABLE, (P298), TEST LAMP TO EARTH AND TB. 2022, GROUP (Pre-Mod. 1744)	1	—		
	7100V8100	CABLE, (P205), TB. 2030 TO TB. 2021, GROUP (Pre-Mod. 1744)	1	—		

**ELECTRICAL INSTALLATION  
MAINPLANE**

Ref. No.	Part No.	Description	No. off	Matl. Spec.	Cl. of St.	Plate and Illust'n No.
					M.R.	
		1 2 3 4				
		<b>ELECTRICAL INSTALLATION, OUTER WING, INNER PORTION, PORT (1V8061) (Cont'd)</b>				
	7101V8100	CABLE, (P206), TB. 2031 TO TB. 2023, GROUP (Pre-Mod. 1744)	1	—		
	7152V8100	CABLE, (P27), TB. 145 TO CON- DENSER, GROUP (Mod. 644)	1	—		
	7269V8100	CABLE, (P128), TB. 2010 TO EARTH, GROUP	1	—		
	7313V8100	CABLE, (P22), CONDENSER TO No. 4 ELEVON MOTOR, GROUP (Mod. 644)	1	—		
	7562V8100	CABLE, (P257), 34P, PLUG 213 TO RELAY, GROUP	1	—		
	7625V8100	CABLE, (P13), TRANSPORT BREAK 45 TO ELEVATOR PRESSURE SWITCH AND TB. 2042, GROUP	1	—		
	7707V8100	CABLE, (P2), WING BREAK 250 TO TB's 2002, 2003 AND WING ELEMENTS, GROUP	1	—		
	7708V8100	CABLE, (P62), No. 1 BOTTLE TO TB's 2000 AND 2001, GROUP	1	—		
	7709V8100	CABLE, (P63), No. 1 BOTTLE TO TB's 2000 AND 2001, GROUP	1	—		
	7710V8100	CABLE, (P64), No. 2 BOTTLE TO TB's 2000 AND 2001, GROUP	1	—		
	7711V8100	CABLE, (P65), No. 2 BOTTLE TO TB's 2000 AND 2001, GROUP	1	—		
	7712V8100	CABLE, (P66), No. 3 BOTTLE TO TB's 2000 AND 2001, GROUP	1	—		
	7713V8100	CABLE, (P67), No. 3 BOTTLE TO TB's 2000 AND 2001, GROUP	1	—		
	7714V8100	CABLE, (P68), No. 4 BOTTLE TO TB's 2000 AND 2001, GROUP	1	—		
	7715V8100	CABLE, (P69), No. 4 BOTTLE TO TB's 2000 AND 2001, GROUP	1	—		
	7716V8100	CABLE, (P70), No. 5 BOTTLE TO TB's 2000 AND 2001, GROUP	1	—		
	7717V8100	CABLE, (P71), No. 5 BOTTLE TO TB's 2000 AND 2001, GROUP	1	—		

VULCAN Mk. 2

## ELECTRICAL INSTALLATION

Page FJ. 5

## MAINPLANE

Ref. No.	Part No.	Description	No. off	Matl. Spec.	Cl. of St.	Plate and Illust'n No.
					M.R.	
		1 2 3 4				
		ELECTRICAL INSTALLATION, OUTER WING, INNER PORTION, PORT (1V8061) (Cont'd.)				
	7719V8100	CABLE, (P73), No. 6 BOTTLE TO TB's 2000 AND 2001, GROUP	1	—		
	7720V8100	CABLE, (74), TB. 2001 TO EARTH, GROUP	1	—		
	7721V8100	CABLE, (P75), TB. 2001 TO EARTH, GROUP	1	—		
	7723V8100	CABLE, (P142), TB. 2003 TO EARTH, GROUP	1	—		
	7775V8100	CABLE, (P30), CONDENSER TO TB. 143, GROUP	1	—		
	7789V8100	CABLE, (P26), CONDENSER TO TB. 146, GROUP	1	—		
	7842V8100	CABLE, (P31), CONDENSER TO TB. 144, GROUP	1	—		
	7939V8100	CABLE, (P76), 34P, 211 TO TB. 2000, GROUP (Mod. 774)	1	—		
	8082V8100	CABLE, (P72), No. 6 BOTTLE TO TB's 2000 AND 2001, GROUP	1	—		
	8357V8100	CABLE, (P131), TB. 2001 AND EARTH, GROUP (Mod. 952)	1	—		
	8567V8100	CABLE, (P10), WING BREAK 601 TO 3J, GROUP (Mod. 1072)	1	—		
	9291V8100	CABLE, (P174), TRANSPORT BREAK 36 TO TB. 2004, RELAY 226 AND No. 3 SECONDARY FUEL PUMP MOTOR, GROUP (Mod. 1587)	1	—		
6A/4333588	SMITH'S CR42	Cable, co-axial, 42" long	1	—	A	
6A/4333590	SMITH'S CR52	Cable, co-axial, 52" long	1	—	A	
6A/4333589	SMITH'S CR66	Cable, co-axial, 66" long	1	—	A	
6A/4333591	SMITH'S CR108	Cable, co-axial, 108" long	1	—	A	
6A/4333682	SMITH'S CZ50	Cable, co-axial, 42" long	1	—	A	
5UD/4388977	CX170465	Capacitor (Mod. 2398)	12	—	A	
	AS8674/29	Capping, duct, 29" long	1	—	C	FJ1/9 FJ1/6
	51V8061	CONTAINER, CAPACITOR, GROUP (Mod. 2398)	4	—	—	FJ1/9A
	51bV8061	Spares for:—				
10H/0119925	—	Box, mounting	1	—	—	
10H/0590100	—	Fuse, 10 amp.	3	—	C	
		Holder, fuse	3	—	C	

## ELECTRICAL INSTALLATION

## MAINPLANE

Ref. No.	Part No.	Description	No. off	Matl. Spec.	Cl. of St.	Plate and Illust'n No.
					M.R.	
		1 2 3 4				
ELECTRICAL INSTALLATION, OUTER WING, INNER PORTION, PORT (1V8061) (Cont'd.)						
28M/1278189	AGS2001/B1	Nut, stiff .....	4	—	C	
28M/1012015	AGS2001/C1/66	Nut, stiff .....	8	—	C	
	4SS4199	Screw, 2 BA .....	8	—	MR	
28S/1011479	A31/B48	Screw, 4 BA .....	4	—	C	
28S/1200040	A31/B20	Screw, 4 BA .....	4	—	C	
	51aV8061	Tray .....	1	—	—	
	51cV8061	Tray, top .....	1	—	—	
	51dV8061	Tray, lid, racking .....	1	—	—	
5CZ/4335794	ROTAX ZA7801	Condenser, 3 phase (Pre-Mod. 2398) .....	8	—	A	FJ1/9
5X/4491777	3V7871	Cover, terminal block .....	5	—	C	
	29SS4622	Duct .....	1	—	MR	
	22V5650	Jumper .....	5	—	MR	
	21V8061	Link, cable .....	2	—	—	
	22V8061	Link, cable .....	2	—	—	
	23V8061	Link, cable .....	2	—	—	
10002	2V9472	LINK, PLUG, GROUP (Pre-Mod. 1744) .....	2	—	C	
	GRAVINER D1740	Relay, firewire (Pre-Mod. 1842) .....	1	—	A	FJ1/10
5CZ/4340007	PLESSEY 7CZ103739/2	Relay, type CH2/CO28/10 .....	5	—	A	FJ1/11
	1SS4052	Terminal, earth .....	6	—	MR	FJ1/12
5X/4491779	5V7871	Socket, single tier .....	12	—	C	FJ1/13
5X/4491488	15V5650	Socket, single .....	45	—	C	FJ1/14
	GRAVINER 162D	Unit Control (Mod. 1842) .....	1	—	A	FJ1/15
ELECTRICAL INSTALLATION, OUTER WING, OUTER PORTION, PORT (3V8061) Spares for:—						
5X/4491775	1V7871	Block, terminal .....	2	—	C	FJ1/16
5X/9402803	AS2635	Block, terminal, 5-way .....	3	—	C	FJ1/17
	4V8100	CABLE, (P4), TB. 2002 TO EARTH, GROUP .....	1	—	—	
	16V8100	CABLE, (P16), TB. 2043 TO No. 2 .....	1	—	—	
	140V8100	ELEVON MOTOR, GROUP .....	1	—	—	
	141V8100	CABLE, (P140), PLUG 511 TO TB. 2003, GROUP .....	1	—	—	
	235V8100	CABLE, (P141), PLUG 511 TO LANDING LAMP, GROUP .....	1	—	—	
	237V8100	CABLE, (P235), TB. 2042 TO AILERON, GROUP .....	1	—	—	
	239V8100	CABLE, (P237), AILERON PRESSURE SWITCH, TO TB. 2042, GROUP .....	1	—	—	
		CABLE, (P239), AILERON PRESSURE SWITCH TO TB. 2041, GROUP .....	1	—	—	

VULCAN Mk. 2

## ELECTRICAL INSTALLATION

Page FJ. 7

## MAINPLANE

Ref. No.	Part No.	Description	No. off	Matl. Spec.	Cl. of St.	Plate and Illust'n No.
					M.R.	
		1 2 3 4				
		ELECTRICAL INSTALLATION, OUTER WING, OUTER PORTION, PORT (3V8061) (Cont'd)				
	240V8100	CABLE, (P240), AILERON TO TB. 2041, GROUP	1	—		
	7153V8100	CABLE, (P17), TB. 601 TO No. 1 ELEVON MOTOR, GROUP (Mod. 644)	1	—		
	7790V8100	CABLE, (P238), CONDENSER TO TB. 2043, GROUP	1	—		
5X/9402794	AS2603	Cover, 5 way Terminal Block	3	—	C	FJ1/18
5X/9402800	—	Link, commoning	3	—	C	
5X/4491779	5V7871	Socket, single tier	6	—	C	FJ1/19
5X/9994577	—	Socket, single tier, 19 amp.	5	—	C	FJ1/20
5X/9402799	—	Socket, double tier, 19 amp.	10	—	C	FJ1/21
	1SS4052	Terminal, earth	1	—	MR	FJ1/22
	—	ELECTRICAL INSTALLATION, WING TIP, PORT (15V8061) (Mod. 569)	—	—	—	
		Spares for:—				
5X/6200370	1V5650	Block, terminal	2	—	C	FJ1/23
	15V6099	BOX, JUNCTION, 3J, GROUP	1	—		FJ1/24
		Spares for:—				
5X/6200370	1V5650	Block, terminal	3	—	C	FJ1/25
	1V6098	BOX, GROUP	1	—		FJ1/26
4249	3V6099	LID, 3J, GROUP	1	—	B	FJ1/27
		Spares for:—				
28FP/1014631	A3/25	Fastener, "Dzus"	4	—	C	FJ1/28
28FP/9434075	GA3/175	Grommet, "Dzus"	4	—	C	FJ1/29
5X/4491488	15V5650	Socket, single	15	—	C	FJ1/30
	290V8100	CABLE, (P290), TEST LAMP TO TB. 2050, GROUP	1	—		
	8306V8100	CABLE, (P3), TB. 2002 TO TB. 2050, GROUP	1	—		
	9638V8100	CABLE, (P11), GROUP (Mod. 1963)	1	—		
5L/9952431	—	Filament, navigation light	1	—	C	FJ1/31
5CX/4330018	—	Light, navigation	1	—	C	FJ1/32
5X/4491488	15V5650	Socket, single	10	—	C	FJ1/33
6TD/2654	—	Unit, detector	1	—	A	FJ1/34
		ELECTRICAL INSTALLATION, OUTER WING, INNER PORTION, STARBOARD (2V8061)				
		Spares for:—				
5CZ/1027621	GRAVINER D2240	Base, for relay	1	—	A	FJ1/35
5X/6200370	1V5650	Block, terminal (Avro type)	10	—	C	FJ1/36

ELECTRICAL INSTALLATION  
MAINPLANE

Ref. No.	Part No.	Description	No. off	Matl. Spec.	Cl. of St.	Plate and Illust'n No.
					M.R.	
		1 2 3 4				
		ELECTRICAL INSTALLATION, OUTER WING, INNER PORTION, STARBOARD (2V8061) (Cont'd)				
	19V8061	BRACKET, MOUNTING, EXPLOSION ..... SUPPRESSION TEST EQUIPMENT, No. 5 TANK, STARBOARD, GROUP (Pre-Mod. 1744)	1	—		FJ1/37
	20V8061	BRACKET, MOUNTING, EXPLOSION ..... SUPPRESSION TEST EQUIPMENT No. 7 TANK, STARBOARD, GROUP (Pre-Mod. 1744)	1	—		FJ1/38
	6V8101	CABLE, (S6), TRANSPORT BREAK 47 ..... TO TB. 2105, RELAY 233 AND No. 4 TANK, GROUP	1	—		
	7V8101	CABLE, (S7), TRANSPORT BREAK 52 ..... TO RELAYS 231, 232, 234 AND 235, GROUP	1	—		
	9V8101	CABLE, (S9), TRANSPORT BREAK 54 ..... TO ELEVATOR PRESSURE SWITCH AND TB. 2121, GROUP	1	—		
	19V8101	CABLE, (S19), CONDENSER TO ..... MOTOR, GROUP	1	—		
	76V8101	CABLE, (S76), 39P AND TB. 807 TO ..... RELAY UNIT, GROUP	1	—		
	86V8101	CABLE, (S86), TRANSPORT BREAK 48 ..... TO TB. 2108, RELAY 234 AND No. 5 SECONDARY FUEL PUMP, GROUP	1	—		
	98V8101	CABLE, (S98), RELAY 231 TO EARTH, ..... GROUP	1	—		
	100V8101	CABLE, (S100), RELAY 231 TO RELAY ..... 232, GROUP	1	—		
	105V8101	CABLE, (S105) RELAY 232 TO RELAY ..... 233, GROUP	1	—		
	106V8101	CABLE, (S106), RELAY 234 TO RELAY ..... 235, GROUP	1	—		
	107V8101	CABLE, (S107), RELAY 235 TO EARTH, ..... GROUP	1	—		

ELECTRICAL INSTALLATION

MAINPLANE

Ref. No.	Part No.	Description	No. off	Matl. Spec.	Cl. of St.	Plate and Illust'n No.
					M.R.	
		1 2 3 4				
		ELECTRICAL INSTALLATION, OUTER WING, INNER PORTION, STARBOARD (2V8061) (Cont'd.)				
	119V8101	CABLE, (S119), No. 3 TANK SOLENOID ... TO TB.2112 AND EARTH, GROUP	1	-		
	128V8101	CABLE, (S128), TB.2115 TO EARTH, ..... GROUP	1	-		
	131V8101	CABLE, (S131), No. 6 TANK TO TB.2116 ... AND EARTH, GROUP	1	-		
	135V8101	CABLE, (S135), TRANSPORT BREAK 53 ... TO ELEVATOR AND TB's 2120, 2122, GROUP	1	-		
	337V8101	CABLE, (S337), No. 5 AMPLIFIER TO ..... TB.2117 AND CABLE BOX, GROUP (Mod. 2283)	1	-		
	338V8101	CABLE, (S338), No. 7 AMPLIFIER TO ..... TB.2117 AND CABLE BOX, GROUP (Mod. 2283)	1	-		
	154V8101	CABLE, (S154), TB.2117 TO EARTH, ..... GROUP	1	-		
	157V8101	CABLE, (S157), TB.2114 TO TB.2113, ..... GROUP	1	-		
	160V8101	CABLE, (S160), 37P TO TB's 2114 AND ... 2117, GROUP	1	-		
	180V8101	CABLE, (S180), TRANSPORT BREAK 49 ... TO TB.2105, RELAY 232 AND No. 6 SECONDARY FUEL PUMP, GROUP	1	-		
	183V8101	CABLE, (S183), No. 3 MAIN PUMP TO ..... RELAY 231 AND TB.2106, GROUP	1	-		
	185V8101	CABLE, (S185), No. 6 MAIN PUMP TO ..... RELAY 232 AND TB.2105, GROUP	1	-		
	190V8101	CABLE, (S190), TB.544 TO TB.2112, ..... GROUP	1	-		
	191V8101	CABLE, (S191), TB.544 TO TB.2115, ..... GROUP	1	-		
	192V8101	CABLE, (S192), TB.544 TO TB.2113, ..... GROUP	1	-		
	193V8101	CABLE, (S193), TB.544 TO TB.2116, ..... GROUP	1	-		
	194V8101	CABLE, (S194), TB.544 TO TB.2114, ..... GROUP	1	-		

**ELECTRICAL INSTALLATION  
MAINPLANE**

Ref. No.	Part No.	Description	No. off	Matl. Spec.	Cl. of	Plate and Illust'n No.
					St. M.R.	
		1 2 3 4				
		<b>ELECTRICAL INSTALLATION, OUTER WING, INNER PORTION, STARBOARD (2V8061) (Cont'd)</b>				
	204V8101	CABLE, (S204), TB. 2125 TO TB. 2127, GROUP (Pre-Mod. 1744)	1	—		
	207V8101	CABLE, (S207), TRANSPORT BREAK PLUG 50 TO TB. 2108, RELAY 235 AND No. 7 SECONDARY FUEL PUMP, GROUP	1			
	210V8101	CABLE, (S210), No. 4 TANK TO RELAY 233 AND TB. 2105, GROUP	1	—		
	212V8101	CABLE, (S212), No. 5 TANK TO RELAY 234 AND TB. 2108, GROUP	1	—		
	215V8101	CABLE, (S215), No. 7 TANK TO RELAY 235 AND TB. 2108, GROUP	1	—		
	218V8101	CABLE, (S218), TRANSPORT BREAK 51 TO No. 7 TANK, GROUP	1	—		
	225V8101	CABLE, (S225), TB. 2126 TO FUSE, GRP. (Pre-Mod. 1744)	1	—		
	240V8101	CABLE, (S240), TB. 2128 TO FUSE, GRP. (Pre-Mod. 1744)	1	—		
	253V8101	CABLE, (S253), RELAY UNITS TO FIREWIRE AND EARTH, GROUP	1	—		
	254V8101	CABLE, (S254), RELAY UNITS TO FIREWIRE, GROUP	1	—		
	265V8101	CABLE, (S265), TEST LAMP TO TB. 2126, GROUP (Pre-Mod. 1744)	2	—		
	268V8101	CABLE, (S268), TEST LAMP TO TB. 2128, GROUP (Pre-Mod. 1744)	2	—		
	279V8101	CABLE, (S279), TEST SOCKET TO TB. 2126 AND EARTH, GROUP (Pre-Mod. 1744)	1	—		
	280V8101	CABLE, (S280), TEST SOCKET TO TB. 2128 AND EARTH, GROUP (Pre-Mod. 1744)	1	—		
	7102V8101	CABLE, (S201), TB. 2134 AND SWITCH TO TB. 2125 AND SWITCH, GROUP (Pre-Mod. 1744)	1	—		
	7103V8101	CABLE, (S202), TB. 2133 AND SWITCH TO TB. 2127 AND SWITCH, GROUP (Pre-Mod. 1744)	1	—		
	7155V8101	CABLE, (S22), CONDENSER TO TB. 149, GROUP (Mod. 644)	1	—		

ELECTRICAL INSTALLATION  
MAINPLANE

Ref. No.	Part No.	Description	No. off	Matl. Spec.	Cl. of St.	Plate and Illust'n No.
					M.R.	
		1 2 3 4				
		ELECTRICAL INSTALLATION, OUTER WING, INNER PORTION, STARBOARD (2VB061) (Cont'd)				
	7246V8101	CABLE, (S28), CONDENSER TO TB. .... 148, GROUP (Mod. 644)	1	-		
	7267V8101	CABLE, (S122), TB. 2155 TO LAMP, ..... GROUP	1	-		
	7560V8101	CABLE, (S249), 35P/222 TO RELAY ..... UNITS, GROUP	1	-		
	7626V8101	CABLE, (S10), TRANSPORT BREAK 555 ... TO TB. 2120 AND SWITCH, GROUP	1	-		
	7652V8101	CABLE, (S252), RELAY UNIT TO FIRE- ... WIRE, GROUP	1	-		
	7697V8101	CABLE, (S2), WING BREAK 252 TO ..... TB's 2103 AND 2104 AND WING ELEMENTS, GROUP	1	-		
	7724V8101	CABLE, (S61), No. 1 BOTTLE TO TB's ..... 2101 AND 2102, GROUP	1	-		
	7725V8101	CABLE, (S62), No. 1 BOTTLE TO TB's ..... 2101 AND 2102, GROUP	1	-		
	7726V8101	CABLE, (S63), No. 2 BOTTLE TO TB's ..... 2101 AND 2102, GROUP	1	-		
	7727V8101	CABLE, (S64), No. 2 BOTTLE TO TB's ..... 2101 AND 2102, GROUP	1	-		
	7728V8101	CABLE, (S65), No. 3 BOTTLE TO TB's ..... 2101 AND 2102, GROUP	1	-		
	7729V8101	CABLE, (S66), No. 3 BOTTLE TO TB's ..... 2101 AND 2102, GROUP	1	-		
	7730V8101	CABLE, (S67), No. 4 BOTTLE TO TB's ..... 2101 AND 2102, GROUP	1	-		
	7731V8101	CABLE, (S68), No. 4 BOTTLE TO TB's ..... 2101 AND 2102, GROUP	1	-		
	7732V8101	CABLE, (S69), No. 5 BOTTLE TO TB's ..... 2101 AND 2102, GROUP	1	-		
	7733V8101	CABLE, (S70), No. 5 BOTTLE TO TB's ..... 2101 AND 2102, GROUP	1	-		
	7734V8101	CABLE, (S71), No. 6 BOTTLE TO TB's ..... 2101 AND 2102, GROUP	1	-		

ELECTRICAL INSTALLATION  
MAINPLANE

Ref. No.	Part No.	Description	No. off	Matl. Spec.	Cl. of St.	Plate and Illust'n No.
					M.R.	
		1 2 3 4				
		ELECTRICAL INSTALLATION, OUTER WING, INNER PORTION, STARBOARD (2V8061) (Cont'd)				
	7735V8101	CABLE, (S72), No. 6 BOTTLE TO TB's 2101 AND 2102, GROUP	1	—		
	7736V8101	CABLE, (S73), TB. 2102 TO EARTH, GROUP	1	—		
	7737V8101	CABLE, (S74), TB. 2102 TO EARTH, GROUP	1	—		
	7739V8101	CABLE, (S138), TB. 2104 TO EARTH, GROUP	1	—		
	7788V8101	CABLE, (S24), CONDENSER TO TB. 150, GROUP	1	—		
	7791V8101	CABLE, (S26), CONDENSER TO TB. 147, GROUP	1	—		
	7940V8101	CABLE, (S29) 35P/220 TO TB. 2101, GROUP (Mod. 774)	1	—		
	8361V8101	CABLE, (S125), TB. 2114 TO EARTH AND No. 7 TANK, GROUP (Mod. 952)	1	—		
	8366V8101	CABLE, (S20), CONDENSER TO No. 6 ELEVON MOTOR, GROUP	1	—		
1433822	8569V8101	CABLE, (S426), WING BREAK 643 TO 35J, GROUP (Mod. 1072)	1	—	B	
	9292V8101	CABLE, (S177), TRANSPORT BREAK 46 TO TB. 2105 AND RELAY 231, GROUP (Mod. 1587)	1	—		
6A/4081	SMITH'S CR52	Cable, co-axial, 52" long	1	—	A	
6A/8288	SMITH'S CR60	Cable, co-axial, 60" long	1	—	A	
6A/4080	SMITH'S CR66	Cable, co-axial, 66" long	1	—	A	
6A/8289	SMITH'S CR140	Cable, co-axial, 140" long	1	—	A	
6A/4241	SMITH'S CZ50	Cable, co-axial, 42" long	1	—	A	
5UD/4388977	CX170465	Capacitor (Mod. 2398)	12	—	C	FJ1/40
	AS8674/29	Capping, duct 25" long	1	—		FJ1/39
	51V8061	CONTAINER, CAPACITOR, GROUP (Mod. 2398)	4	—		FJ1/40A
		Spares for:—				
10H/0119925	51bV8061	Box, mounting	1	—		
10H/0590100	—	Fuse, 10 amp.	3	—	C	
28M/1278189	—	Holder, fuse	3	—	C	
28M/1012015	AGS2001/B1	Nut, stiff	4	—	C	
	AGS2001/C1/66	Nut, stiff	8	—	C	
	4SS4199	Screw, 2 BA	8	—	MR	
28S/1011479	A31/B48	Screw, 4 BA	4	—	C	

VULCAN Mk. 2

ELECTRICAL INSTALLATION  
MAINPLANE

Page FJ. 13

Ref. No.	Part No.	Description	No. off	Matl. Spec.	Cl. of St.	Plate and Illust'n No.	
					M.R.		
		1 2 3 4					
		ELECTRICAL INSTALLATION, OUTER WING, INNER PORTION, STARBOARD (2V8061) (Cont'd)					
28S/1200040	A31/B20	Screw, 4 BA .....	4	—	C	FJ1/3	
	51aV8061	Tray .....	1	—	—		
	51cV8061	Tray, top .....	1	—	—		
	51dV8061	Tray, lid, racking .....	1	—	—		
	ROTAX						
5CZ/4335794	ZA7801	Condenser, 3 phase (Pre-Mod. 2398) .....	8	—	B	FJ1/40	
5X/4491777	3V7871	Cover, terminal block, 24 amp. ....	5	—	C	FJ1/41	
	29SS4622	Duct, cable .....	1	—	MR	FJ1/42	
	22V5650	Jumper .....	5	—	MR	FJ1/43	
	21V8061	Link, cable .....	2	—	—		
	22V8061	Link, cable .....	2	—	—		
	23V8061	Link, cable .....	2	—	—		
10002	2V9472	LINK, PLUG, GROUP (Pre-Mod. 1744) .....	2	—	B		
	PLESSEY						
5CW/4400162	7CZ103739/1	Relay, type CH2/CO28/10 .....	5	—	A	FJ1/44	
	GRAVINER						
	D1740	Relay, firewire (Pre-Mod. 1842) .....	1	—	A	FJ1/45	
5CZ/4340007	15V5650	Socket, single .....	45	—	C	FJ1/46	
5X/4419488	5V7871	Socket, single tier, 24 amp. ....	12	—	C	FJ1/47	
5X/4491779	1SS4052	Terminal, earth .....	6	—	MR	FJ1/48	
5CZ/4340007	162D	Unit, control (Mod. 1842) .....	1	—	—	FJ1/49	
		ELECTRICAL INSTALLATION, OUTER WING, OUTER PORTION, STARBOARD (4V8061)					
		Spares for:—					
5X/4491775	1V7871	Block, terminal .....	2	—	C	FJ1/50	
5X/9402803	AS2635	Block, terminal, 5 way, 19 amp. ....	3	—	C	FJ1/51	
	4V8101	CABLE, (S4), TB. 2103 TO EARTH, GRP. ....	3	—	C		
	13V8101	CABLE, (S13), TB. 2122 TO No. 7 .....	1	—	—		
		MOTOR, GROUP					
	136V8101	CABLE, (S136), PLUG 512 TO TB. 2104, ....	1	—	—		
		GROUP					
	137V8101	CABLE, (S137), PLUG 512 TO LANDING ....	1	—	—		
		LAMP, GROUP					
	234V9101	CABLE, (S234), TB. 2121 TO AILERON, ....	1	—	—		
		GROUP					
	235V8101	CABLE, (S235), TB. 2120 TO AILERON, ....	1	—	—		
		GROUP					
	237V8101	CABLE, (S237), AILERON PRESSURE .....	1	—	—		
		SWITCH, TO T.B. 2120 GROUP					
	239V8101	CABLE, (S239), AILERON PRESSURE .....	1	—	—		
		SWITCH TO TB. 2121, GROUP					

## ELECTRICAL INSTALLATION

## MAINPLANE

Ref. No.	Part No.	Description	No. off	Matl. Spec.	Cl. of St.	Plate and Illust'n No.
					M.R.	
		1 2 3 4				
ELECTRICAL INSTALLATION, OUTER WING, OUTER PORTION, STARBOARD (4V8061) (Cont'd)						
	7157V8101	CABLE, (S14), TB. 602 TO No. 8 ..... ELEVON MOTOR, GROUP	1	—	MR	
	7776V8101	CABLE, (S238), CONDENSER TO TB. .... 2122, GROUP (Mod. 644)	1	—		
5X/9402794	—	Cover, 5 way terminal block .....	3	—	C	FJ1/52
5X/9402800	—	Link, commoning, 19 amp. ....	3	—	C	
5X/9402799	—	Socket, double tier, 19 amp. ....	10	—	C	FJ1/53
5X/9994577	—	Socket, single tier, 19 amp. ....	5	—	C	FJ1/54
5X/4491779	5V7871	Socket, single tier .....	6	—	C	FJ1/55
	1SS4052	Terminal, earth .....	1	—	MR	FJ1/56
ELECTRICAL INSTALLATION, WING TIP, STARBOARD (16V8061) (Mod. 569)						
Spares for:—						
5X/6200370	1V5650	Block, terminal .....	2	—	C	FJ1/57
	9V6099	BOX, JUNCTION, 35J, GROUP .....	1	—		FJ1/58
Spares for:—						
5X/6200370	1V5650	Block, terminal .....	3	—	C	FJ1/59
	1V6098	BOX, GROUP .....	1	—		FJ1/60
	7V6099	LID, 35J, GROUP .....	1	—		FJ1/61
Spares for:—						
28FP/ 1014631	A3/25	Fastener, dzus .....	4	—	C	FJ1/62
28FP/9434075	GA3/175	Grommet, dzus .....	4	—	C	FJ1/63
5X/4491488	15V5650	Socket, single .....	15	—	C	FJ1/64
	278V8101	CABLE, (S278), TB. 2155 TO LAMP, ..... GROUP	1	—		
	8126V8101	CABLE, (S3), TB. 2103 TO TB.2115, ..... GROUP	1	—		
	9639V8101	CABLE, (S247), GROUP (Mod. 1963) .....	1	—	MR	
5L/9952431	—	Filament .....	1	—	C	FJ1/65
5CX/1043420	—	Light, navigation .....	1	—	B	FJ1/66
5X/4491488	15V5650	Socket, single .....	10	—	C	FJ1/67
6TD/4550849	—	Unit, detector, Type A .....	1	—	A	FJ1/68
ELECTRICAL INSTALLATION IN UNDERCARRIAGE BAY, PORT AND STARBOARD (1 and 2V8223) (For spares—See Page FQ. 1)						
ELECTRICAL INSTALLATION, AFT OF UNDERCARRIAGE BAY, PORT (1V8491) (For spares—See Page FD. 1)						

VULCAN Mk. 2

ELECTRICAL INSTALLATION  
MAINPLANE

Page FJ. 15

Ref. No.	Part No.	Description	No. off	Matl. Spec.	Cl. of	Plate and Illust'n No.
					St. M.R.	
		1 2 3 4				
		ELECTRICAL INSTALLATION, AFT OF UNDERCARRIAGE BAY, STARBOARD, (1V8611)				
5X/9015490	—	Spares for:— Adaptor, lug, 2-way .....	1	—	C	FJ2/69
5X/9015491	—	Adaptor, lug, 4 way .....	1	—	C	FJ2/70
6A/1141864	SMITH'S KA.5 GRAVINER	Amplifier, bridge type 7 (Mod. 2283) .....	1	—	A	FJ2/71
5CZ/1027621	D2240	Base, for relay .....	1	—	C	FJ2/72
5X/6200370	1V5650	Block, terminal .....	2	—	A	FJ2/73
	1V6691	Block, terminal .....	2	—	MR	FJ2/74
6A/1142880	SMITH'S KC9	Box, cable (Mod. 2283) .....	1	—	A	FJ2/82
6A/1142881	SMITH'S KC10	Box, cable (Mod. 2283) .....	1	—	A	FJ2/83
	6V16111	BRACKET, MOUNTING, GROUP (Mod. 2283)	2	—		FJ2/75
1510508	11V16111 SANGAMO WESTON 171886	Spares for:— Bracket .....	1	—	C	
	1V8613	Bracket, servo potentiometer .....	1	—		FJ2/76
	1V8611	BRACKET, MOUNTING, FIRE DETECTOR, UNIT TRAY, GROUP	1	—		
	5V8611	Bracket, mounting, time switch .....	2	—		
	51V7909	CABLE (F51), H.E. IGNITION UNIT TO A.A P.P. PACK, GROUP	1	—	MR	
	8985V7909	CABLE, (F1212), GROUP (Mod. 1414) .....	1	—		
	1511V7909	CABLE, (F1511), TB.542 TO TB.545, GROUP	1	—		
	1615V7909	CABLE, (F1615), TRANSFORMER TO EARTH, GROUP	1	—		
	2121V7909	CABLE, (F2121), AT TB's 467, 468, 469, 470, 471 AND 472, GROUP	1	—	MR	
	2141V7909	CABLE, (F2141), STARTER PANEL TO SEQUENCE SWITCH, GROUP	1	—		
	2143V7909	CABLE, (F2143), CARTRIDGE HEATER TO EARTH, GROUP	1	—		
	2144V7909	CABLE, (F2144), RECTIFIER UNIT TO TRANSFORMER, GROUP	1	—		
	2560V7909	CABLE, (F2560), RECTIFIER UNIT TO ALTERNATOR, GROUP	1	—		
	2561V7909	CABLE, (F2561), AT TB's 1528, 1529, 1530, AND 1531, GROUP	1	—	MR	

ELECTRICAL INSTALLATION  
MAINPLANE

Ref. No.	Part No.	Description	No. off	Matl. Spec.	Cl. of St.	Plate and Illust'n No.
					M.R.	
		1 2 3 4				
		ELECTRICAL INSTALLATION, AFT OF UNDERCARRIAGE BAY, STARBOARD, (1V8611) (Cont'd.)				
17264	2562V7909	CABLE, (F2562), ALTERNATOR TO TB's .. 1530 AND 1531, GROUP	1	-		
	2681V7909	CABLE, (F2681), H.E. UNIT TO RELAY ... 545 AND EARTH, GROUP	1	-		
	2682V7909	CABLE, (F2682), RELAY 545 TO EARTH, .. GROUP	1	-		
	2683V7909	CABLE, (F2683), STARTER PANEL TO .... RELAY 545, GROUP	1	-		
	2685V7909	CABLE, (F2685), STARTER PANEL TO .... RELAY 511, GROUP	1	-		
	2969V7909	CABLE, (F2969), STARTER PANEL TO .... RELAY 511, GROUP	1	-		
	9515V7909	CABLE, (F2982), GROUP (Mod. 1414) .....	1	-		
	2983V7909	CABLE, (F2983), SUPPRESSOR TO FUSE .. 466 AND EARTH, GROUP (Mod. 743)	1	-		
	3147V7909	CABLE, (F3147), AT CARTRIDGE .....	1	-		
	3207V7909	CABLE, (F3207), A.A.P.P. PACK TO TEMP. . INDICATOR, GROUP (Mod. 942)	1	-		
	3208V7909	CABLE, (F3208), TEMP. INDICATOR TO ... EARTH, GROUP (Mod. 942)	1	-		
	3719V7909	CABLE, (F3719), A.A.P.P. TO TB.2150, .... RELAY 545 AND EARTH, GROUP (Mod. 1557)	1	-		
	7345V7909	CABLE, (F807), STARTER PANEL TO .....	1	-		
	7379V7909	CABLE, (F2342), TB.2150, GROUP .....	1	-		
	7532V7909	CABLE, (F810), A.A.P.P. PACKAGE TO .... EARTH, GROUP	1	-		
	7879V7909	CABLE, (F2684), AT RELAY 511, GROUP ..	1	-		
	7887V7909	CABLE, (F817), TRANSFORMER TO .....	1	-		
	7896V7909	CABLE, (F2686), RELAY 511 TO TB.2150, . GROUP	1	-		
	4023V7909	CABLE, (F4023), GROUP (Mod. 2163) .....	-	-		
1433682	4025V7909	CABLE, (F4025), GROUP (Mod. 2163) .....	1	-	C	

VULCAN Mk. 2

## ELECTRICAL INSTALLATION

Page F.J. 17

## MAINPLANE

Ref. No.	Part No.	Description	No. off	Matl. Spec.	Cl. of	Plate and Illust'n No.
					St. M.R.	
		1 2 3 4				
		ELECTRICAL INSTALLATION, AFT OF UNDERCARRIAGE BAY, STARBOARD, (1V8611) (Cont'd)				
	7897V7909	CABLE, (F2089), A.A.P.P. PACK TO ..... RELAYS 489, 455 AND EARTH, GROUP	1	-		
	8984V7909	CABLE, (F1211), GROUP (Mod. 1414) .....	1	-		
	8237V7909	CABLE, (F2092), TB.510 TO EARTH, ..... GROUP (Pre Mod. 942)	1	-		
	8379V7909	CABLE, (F2092), TB.510 to TEMP. .... INDICATOR AND EARTH, GROUP (Mod. 942)	1	-		
	2142V7909	CABLE, (F2142), OXYGEN SOLENOID ..... VALVE TO TB.2150, GROUP (Pre-Mod. 993)	1	-		
	8436V7909	CABLE, (F2142), OXYGEN SOLENOID ..... VALVE TO TB.2150, GROUP (Mod. 993)	1	-		
	8121V7909	CABLE, (F2090), 62P/591 TO SWITCHES, .. RELAY 511, TB.2150 AND STARTER PANEL, GROUP (Pre-Mod. 993)	1	-		
	8437V7909	CABLE, (F2090), 26P/591 TO SWITCHES, .. RELAY 511, TB.2150 AND STARTER PANEL, GROUP (Mod. 993)	1	-		
	8861V7909	CABLE, (F802), AT TB's 913, 914, 918, .... 919, 920, 959 AND 970, GROUP (Mod. 1320)	1	-		
	8862V7909	CABLE, (F796), AT FUSE 837, TB.921 ..... AND TB.922, GROUP (Mod. 1320)	1	-		
	8912V7909	CABLE, (F806), TB.904 TO FUSE 77, ..... GROUP (Mod. 1552)	1	-		
	9191V7909	CABLE, (F2091), A.A.P.P. PACK TO ..... TB.2150, SERVO POTENTIOMETER AND EARTH, GROUP (Mod. 1557)	1	-		
	336V8101	CABLE, (S336), No. 4 AMPLIFIER TO ..... TB.2119, AND CABLE BOX, GROUP (Mod. 2283)	1	-		
	339V8101	CABLE, (S339), No. 6 AMPLIFIER TO ..... TB.2119, AND CABLE BOX, GROUP (Mod. 2283)	1	-		
	251V8101	CABLE, (S251), RELAY UNIT TO ..... FIREWIRE AND EARTH, GROUP	1	-		
	252V8101	CABLE, (S252), RELAY UNIT TO ..... FIREWIRE, GROUP	1	-		
	282V8101	CABLE, (S282), TEST LAMP TO FUSE ..... 2123, AND EARTH, GROUP (Pre-Mod. 1744)	1	-		

ELECTRICAL INSTALLATION  
MAINPLANE

Ref. No.	Part No.	Description	No. off	Matl. Spec.	Cl. of St.	Plate and Illust'n No.
					M.R.	
		1 2 3 4				
		ELECTRICAL INSTALLATION, AFT OF UNDERCARRIAGE BAY, STARBOARD, (1V8611) (Cont'd)				
	283V8101	CABLE, (S283), TEST LAMP TO TB.2132 ... AND EARTH, GROUP (Pre-Mod. 1744)	1	-		
	7111V8101	CABLE, (S198), TB.2132 TO TB.2133, ..... GROUP (Pre-Mod. 1744)	1	-		
	7628V8101	CABLE, (S205), TB.162 TO TB.2132, ..... GROUP (Pre-Mod. 1744)	1	-		
	7746V8101	CABLE, (S117), TB.2119 TO EARTH, ..... GROUP	1	-		
	7880V8101	CABLE, (S273), BULKHEAD CONNECTOR . TO FUSE, No. 6 TANK, GROUP (Pre-Mod. 1744)	1	-		
	7885V8101	CABLE, (S271), BULKHEAD CONNECTOR . TO FUSE, No. 4 TANK, GROUP (Pre-Mod. 1744)	1	-		
17414	9538V7909	CABLE, (F1208), GROUP (Mod. 1300) .....	1		B	
	9539V7909	CABLE, (F2761), GROUP (Mod. 1300) .....	1			
	9542V7909	CABLE, (F2767), GROUP (Mod. 1300) .....	1			
	9543V7909	CABLE, (F2768), GROUP (Mod. 1300) .....	1	-		
	9554V7909	CABLE, (F3487), GROUP (Mod. 1300) .....	1	-		
6A/8288	SMITH'S CR60	Cable, co-axial .....	1	-	B	
6A/8289	SMITH'S CR140	Cable, co-axial .....	1	-	B	
	4V8611	Fairlead, half .....	2	-		FJ2/77
	7V8611	Fairlead, half .....	1	-		FJ2/78
	8V8611	Fairlead, half .....	1	-		FJ2/79
	9V8611	Fairlead, half .....	2	-		FJ2/80
		FUSES IN A.A.P.P. COMPARTMENT, ..... GROUP (4V9851) Spares for:-				FJ2/81
10H/1043043	ENGLISH ELEC. AS2.5	Fuse, 2.5 amp., S type .....	1	-	C	
10H/9718192	ENGLISH ELEC. AS5	Fuse, 5 amp., S type .....	6	-	C	
10H/9718191	ENGLISH ELEC. AS10	Fuse, 10 amp., S type .....	3	-	C	
10H/1043045	ENGLISH ELEC. AS15	Fuse, 15 amp., S type .....	4	-	C	

VULCAN Mk. 2

ELECTRICAL INSTALLATION  
MAINPLANE

Ref. No.	Part No.	Description	No. off	Matl. Spec.	Cl. of St.	Plate and Illust'n No.
					M.R.	
		1 2 3 4				
		INSTALLATION, FUSE-HOLDERS TANKS Nos. 4 AND 6, GROUP (1V9546) (Pre-Mod. 1744)				
11003	1Z9655	Spares for:— FUSE-HOLDER, GROUP .....	2	—	C	FJ2/84
10002	2V9472	LINK, PLUG, GROUP .....	2	—	B	
		MOUNTING OF AMPLIFIERS FOR Nos. 5 AND 7 FUEL TANKS AT TANK RIB 492.186, PORT (V16112) AND STARBOARD (V16482) GROUP (Mod. 2283)				
		Spares for:—				
6A/1141864	SMITHS KA5	Amplifier, bridge type 7 .....	2	—	A	
6A/1142876	SMITHS KC5	Box, cable .....	1	—	A	
6A/1142878	SMITHS KC7	Box, cable .....	1	—	A	
	2V16112	BRACKET, MOUNTING, GROUP .....	1	—		
	1V16111	BRACKET, MOUNTING, GROUP .....	1	—		
	2V16111	BRACKET, MOUNTING, GROUP .....	1	—		
		Spares for:—				
1510506	12V16111	Bracket, port .....	1	—	C	
1510507	7V16111	Bracket, starboard .....	1	—	C	
5CZ/4335646	ROTAX U4201	Panel, starter .....	1	—	A	FJ2/85
	1V8182	PANEL, FUSE AND RELAY, 62P, GROUP ...	1	—		FJ2/86
		Spares for:—				
5X/4500057	—	Block, fuse .....	1	—	C	FJ2/87
5X/6200370	1V5650	Block, terminal .....	2	—	C	FJ2/88
5X/4491769	1V7870	Block, terminal, 12 way .....	2	—	C	FJ2/89
5X/4491775	1V7871	Block, terminal .....	1	—	C	FJ2/90
7660	2V8182	COVER, PANEL, GROUP .....	1	—	C	FJ2/91
		Spares for:—				
28FP/9144248	A4/25	Fastener, dzus .....	8	—	C	FJ2/92
28FP/9430915	G4/250	Grommet, dzus .....	8	—	C	FJ2/93
5CW/4405094	—	Contactors .....	2	—	A	FJ2/94
10H/9718192	ENGLISH ELEC. AS5	Fuse, 5 amp .....	7	—	C	FJ2/95
10H/1043045	ENGLISH ELEC. AS15	Fuse, 15 amp .....	3	—	C	FJ2/96
5X/4500061	—	Link, commoning, 5 way .....	1	—	C	FJ2/97
5X/4500063	—	Link, commoning, 7 way .....	1	—	C	FJ2/98
	1V11365	LOOM, CABLE, GROUP (Mod. 1332) .....	1			
		(Pre-Mod. 1505)				

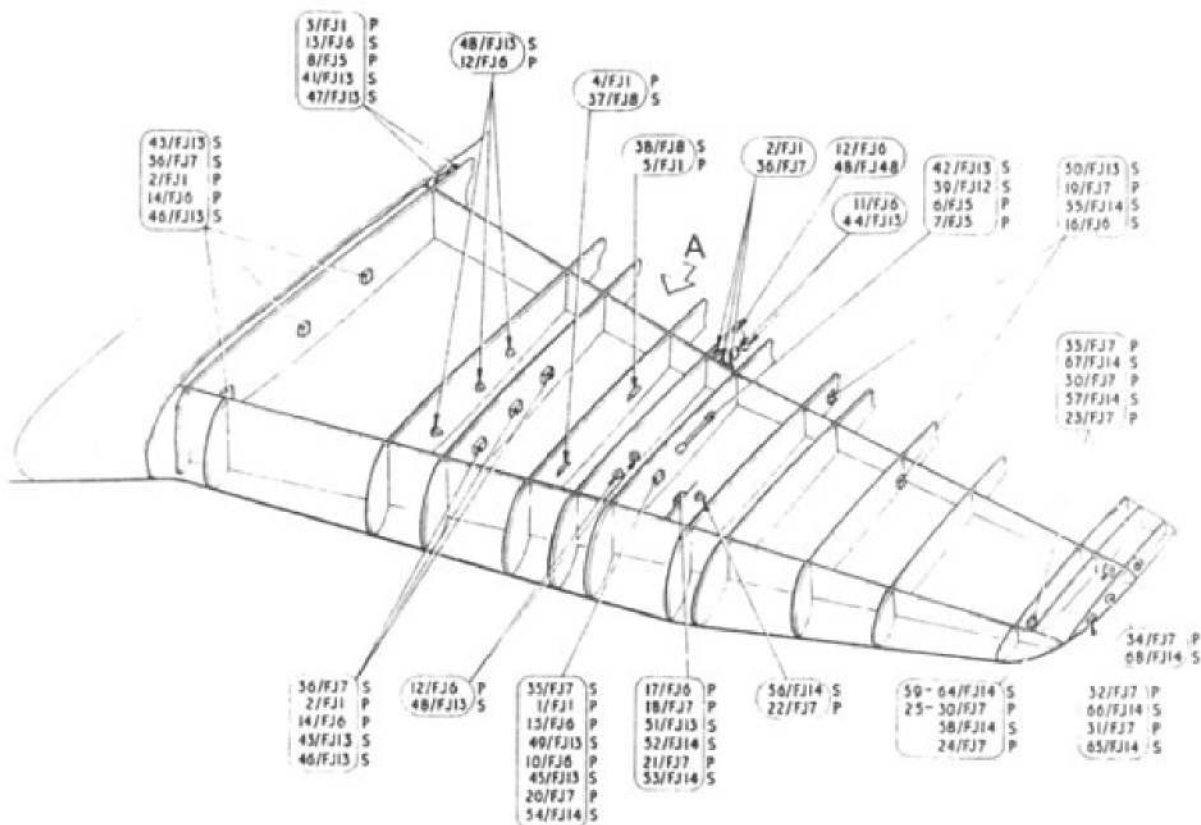
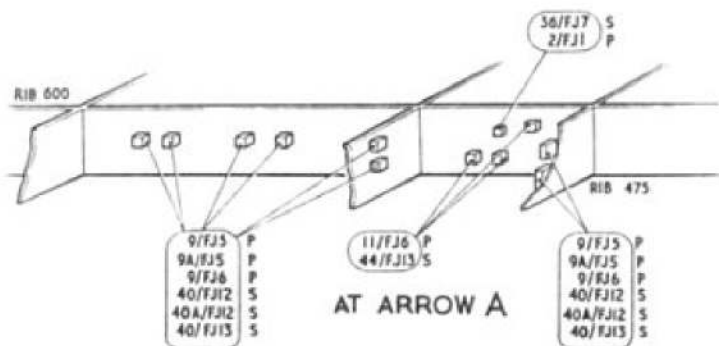
## ELECTRICAL INSTALLATION

## MAINPLANE

Ref. No.	Part No.	Description	No. off	Mati. Spec.	Cl. of St.	Plate and Illust'n No.
					M.R.	
		1 2 3 4				
		PANEL, FUSE AND RELAY 62P (1V8182) Cont'd.)				
	1V11795	LOOM, CABLE, GROUP (Mod. 1505) .....	1	—		
	—	PANEL, LESS EQUIPMENT, GROUP .....	1	—		
10CV/0372038	B.T.H. GJ3/M PLESSEY	Rectifier .....	3	—	B	FJ2/99
5CW/4400162	7CZ103739/1	Relay, 2 pole .....	2	—	A	FJ2/100
5CW/4400161	7CZ105411/1	Relay, 4 pole .....	3	—	A	FJ2/101
5X/4500051	—	Socket .....	14	—	C	FJ2/102
5X/4491487	14V5650	Socket, double .....	2	—	C	FJ2/103
5X/4491488	15V5650 PLESSEY	Socket, single .....	13	—	C	FJ2/104
5CW/4400161	7CZ/105411/1 GRAVINER	Relay, 4 pole .....	2	—	A	FJ2/105
5CZ/5917	D1740 1V16309 SANGAMO WESTON	Relay, fire wire (Pre-Mod. 1842) .....	1	—	A	FJ2/107
		Resistor (Mod. 2254) .....	1	—	MR	
6A/4337745	S144/3/43	Servo, potentiometer (Pre-Mod. 2254) .....	1	—	A	FJ2/108
5X/4491488	15V5650 PLESSEY	Socket, single .....	14	—	C	FJ2/109
5CW/1050498	7CZ97225/4	Switch, magnetic relay (Mod. 2163) .....	1	—	B	FJ2/106
5X/7039	2CZ84873	Socket, hours and start counter (Mod. 1557) .	1	—	C	FJ2/110
5CY/4376390	— TEDDINGTON	Suppressor, type O2 .....	2	—	A	FJ2/111
5CW/4405052	FJB/A/6 ROTAX	Switch, selector .....	1	—	A	FJ2/112
5CW/6656	D8164 1SS4052 ROTAX P4501	Switch, time .....	1	—	A	FJ2/113
		Terminal, earth .....	1	—	MR	FJ2/114
		Transformer, current .....	1	—		FJ2/115
	9F9808	TRAY, MOUNTING, FIRE DETECTOR .....	1	—		FJ2/116
		UNIT, GROUP Spares for:—				
	4V6756	Bolt, wing .....	2	—	MR	
10AJ/153	—	Mounting, anti-vibration .....	4	—	B	
	5V6756	Nut, knurled .....	2	—		
37A/4387755	NB253 or	Unit, high energy ignition .....	1	—	A	FJ2/117
37A/4387626	C10TS3	Unit, fire detector .....	1	—	A	FJ2/118
5CZ/4329774	NB6103	Unit, control (Mod. 1842) .....	1	—	A	FJ2/119
5CZ/4340007	D15201					

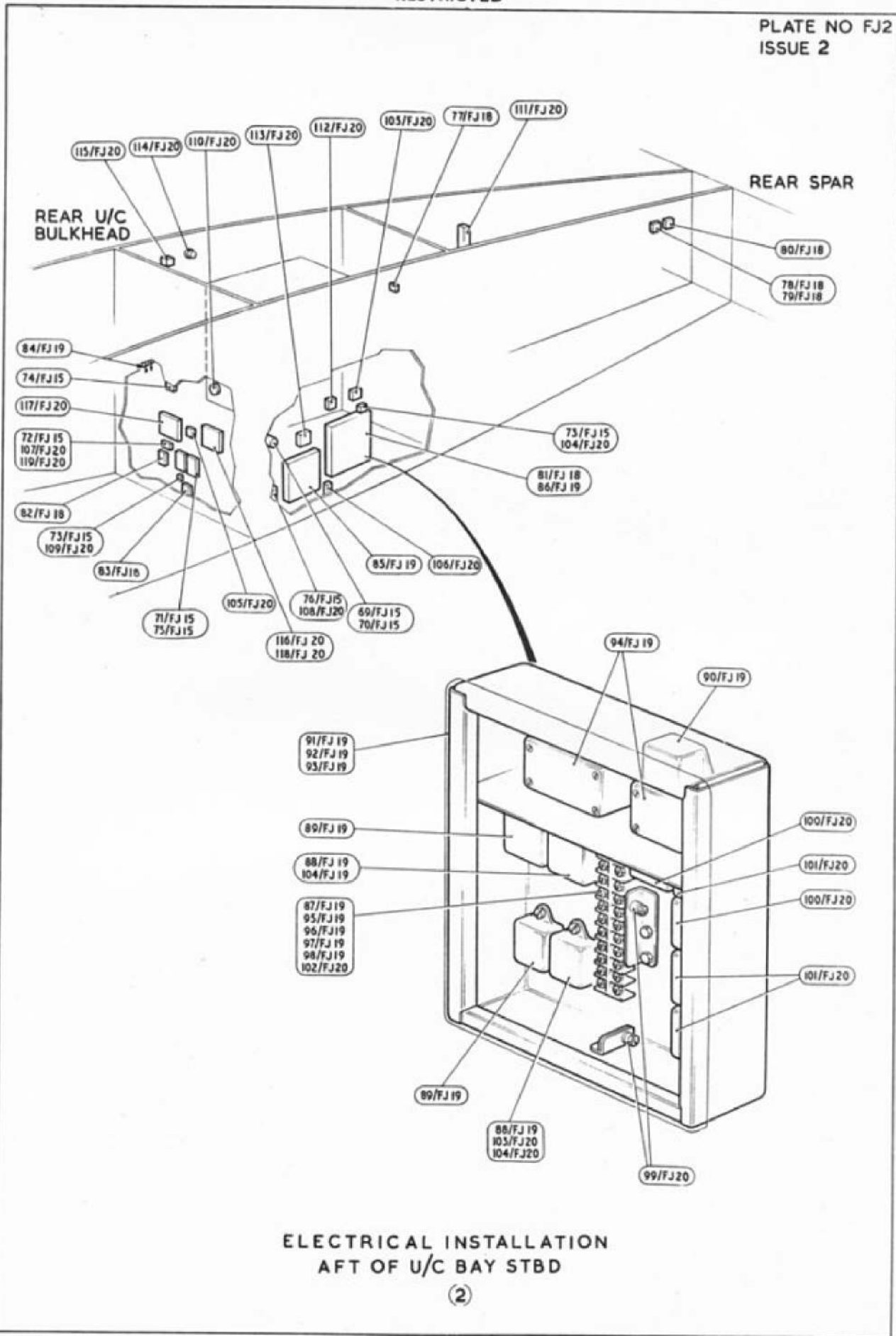
**ELECTRICAL INSTALLATION  
SUMMARY OF STANDARD ITEMS**

Stores Ref.		No. off	Stores Ref.		No. off	Stores Ref.		No. off
Section	Ref. No.		Section	Ref. No.		Section	Ref. No.	
28D	1008147	24	28S	9436892	1	28W	9419446	36
28D	1010658	57	28S	1200044	10	28W	9419401	187
28D	1008149	114	28S	9419437	48	28W	9419454	175
28D	9419452	15	28S	1200050	4	28W	9418720	4
28D	1011011	4	28S	9435712	4	28W	9419464	4
28D	9436920	56	28S	9419453	29	28W	9419465	84
28D	9133011	35	28S	1200034	123	28W	9419402	87
28D	9133012	4	28S	1200036	2	28W	9418741	3
28D	1200119	3	28S	1200040	98	28W	9419403	1
28D	1011019	8	28S	9140642	4	28W	9419473	4
28D	9140644	1	28S	9131095	1	28W	9419474	8
28D	9140645	9	28S	9997545	39	28W	9419475	1
28D	9140647	4	28S	9435713	69	28W	9419404	8
28D	1011024	5	28S	1200047	16	28W	1200071	60
28D	1011240	4	28S	9419411	1	28W	1200073	4
28D	1010132	3	28S	1007752	8	28W	1009752	6
28D	1212406	24	28S	1012450	2	28W	1206041	23
28D	1212407	18	28S	9992522	2			
28D	1007285	4	28S	9997425	10			
28D	1007975	8	28S	9473865	8			
28D	1007979	59	28S	9464989	6			
28D	9140202	12						
28D	1007982	1						
28D	1013284	4						
28D	1212794	4						
28D	1213051	16						
28FP	144	8						
28FP	146	8						
28FP	307	8						
28FP	9430915	8						
28M	1006504	7						
28M	10286	2						
28M	10273	2						
28M	10287	24						
28M	10288	31						
28M	10291	1						
28M	10326	16						
28M	10327	92						
28M	10328	81						
28M	9435067	8						
28M	1015951	8						



ELECTRICAL INSTALLATION WING OUTER-INNER  
PORT AND STARBOARD

(1)



ELECTRICAL INSTALLATION  
AFT OF U/C BAY STBD

This file was downloaded  
from the RTFM Library.

Link: [www.scottbouch.com/rtfm](http://www.scottbouch.com/rtfm)

Please see site for usage terms,  
and more aircraft documents.

