

VULCAN Mk. 2

ELECTRICAL INSTALLATION

Page FM. 1

NOSEWHEEL BAY

Ref. No.	Part No.	Description	No. off	Matl. Spec.	Cl. of St.	Plate and Illust'n No.
					M.R.	
		1 2 3 4				
		ELECTRICAL INSTALLATION IN NOSEWHEEL BAY (V9472, Pre-Mod. 1174) (V11301, Mod. 1174) Spares for:—				
5X/9015491	—	Adaptor, 4-way	9	—	C	
5CZ/4329775	—	Amplifier, fire detector (with Blue Steel)	1	—	A	FM2/1
6A/1141864	SMITH'S KA5	Amplifier, bridge type 7 (Mod. 2283)	2	—	A	FM2/2
	12V9472	Angle, mounting	1	L72		
	13V9472	Angle, mounting	1	L72		
	14V9472	Angle, mounting	1	L72		
	15V9472	Angle, mounting	1	L72		
5J/3364	—	Battery, S.A.F.T.	1	—	B	FM2/3
	GRAVINER D2240	Base, relay	3	—	B	FM2/4
5CZ/1027621	—	Block, terminal (Pre-Mod. 1522)	1	—	C	
5X/9402802	—	Block, terminal, 3-way	1	—	C	
5X/9402147	—	Block, terminal	8	—	C	FM1/5
5CZ/1057758	1V5650 ROTAX 16337/1	Boot, rubber, at Panels 15P and 16P	2	—	C	
	ROTAX 16936/1	Boot, rubber, at Panels 15P and 16P	4	—	C	
5CZ/1053233	—	Boot, rubber	4	—	C	
5CZ/4335526	—	BRACKET, SWITCH, MOUNTING, GROUP	1	—		FM3/9
	SMITH'S KC.1	Box, cable, connector (Mod. 2283)	1	—	B	FM2/6
6A/1142872	SMITH'S KC.8	Box, cable, connector (Mod. 2283)	1	—	B	FM2/7
6A/1142879	1V9360	BRACKET, LESS INSTRUMENTS, GROUP	1	—		FM3/10
	ZA2401/1	Spares for:— Guard, switch	2	—	C	FM3/10
5CW/4222	—	Switch	1	—	C	FM3/11
5930-99- 6198752	—	Label, on	1	—	C	FM3/12
5CW/1055544	—	BRACKET, LESS INSTRUMENTS, GROUP	1	—		
	2V9360	Spares for:— Filament	1	—	C	
5L/9959118	PAGE ENG. A259	Label, door, locked	1	DTD213		
	852SS6002	Label, decompress	1	DTD213		
	853SS6002	Label, cabin pressurisation	1	DTD213		
	854SS6002	Label, air brake, ground test	1	DTD213		
	875SS6002	Label, mach 55	1	DTD213		
	876SS6002	Label, ground service lighting	1	DTD213		
	91SS6005	Label, Bomb Bay detector switch	1	L59		
	758SS6005 PAGE ENG. C180/A8	Switch, push button	1	—	A	FM3/13
5CZ/4400288	—	Switch	1	—	A	FM3/14
5CW/1047695	—	Switch	1	—	A	FM3/15
5CW/1047700	—	Switch	1	—	A	FM3/16
5CW/6209280	—	Unit, magnetic indicator	1	—	A	FM3/17
5CZ/4340430	—	Bulb, temperature	1	—	B	FM1/18
6B/4343851	—					

ELECTRICAL INSTALLATION
NOSEWHEEL BAY

Ref. No.	Part No.	Description	No. off	Matl. Spec.	Cl. of	Plate and Illust'n No.
					St. M.R.	
		1 2 3 4				
	48V7909	CABLE, (F48), 39P TO 64P, GROUP	1	-		
	64V7909	CABLE, (F64), R.P.B. 105 TO 56P, GROUP ...	1	-		
	67V7909	CABLE, (F67), R.P.B. 108 TO 19P, GROUP ...	1	-		
	87V7909	CABLE, (F87), R.P.B. 130 TO 7J, GROUP	1	-		
	102V7909	CABLE, (F102), R.P.B. 156 TO 16P, GROUP ..	1	-		
	106V7909	CABLE, (F106), R.P.B. 163 TO 2J/15, GROUP .	1	-		
	108V7909	CABLE, (F108), R.P.B. 164 TO TB.692,	1	-		
		GROUP				
	111V7909	CABLE, (F111), R.P.B. 167 TO RELAY 419 ...	1	-		
		AND TB 621, GROUP				
	113V7909	CABLE, (F113), R.P.B. 169 TO TB.676,	1	-		
		GROUP (Pre-Mod. 1522)				
	116V7909	CABLE, (F116), R.P.B. 161 TO PLUG 876,	1	-		
		GROUP				
	121V7909	CABLE, (F121), 7.5 KW. TR. UNIT TO FAN, ..	1	-		
		GROUP				
	122V7909	CABLE, (F122), RELAY 477 TO EARTH,	1	-		
		GROUP				
	239V7909	CABLE, (F239), 15P TO 19P, GROUP	1	-		
	243V7909	CABLE, (243), 16P TO 19P, GROUP	1	-		
	351V7909	CABLE, (F351), TB.598 TO TB.564, GROUP ..	1	-		
	356V7909	CABLE, (F356), TB's 554 AND 555 TO	1	-		
		TB's 237 AND 238, GROUP				
	410V7909	CABLE, (F410), 16P TO 65P, GROUP	1	-		
	445V7909	CABLE, (445), 7J/540 TO No. 1 ENGINE	1	-		
		BULKHEAD PLUG 546, GROUP				
	446V7909	CABLE, (F446), 7J/541 TO No. 2 ENGINE	1	-		
		BULKHEAD PLUG 547, GROUP				

VULCAN Mk. 2

ELECTRICAL INSTALLATION
NOSEWHEEL BAY

Page FM. 3

Ref. No.	Part No.	Description	No. off	Matl. Spec.	Cl. of	Plate and Illust'n No.
					St. M.R.	
		1 2 3 4				
	447V7909	CABLE, (F447), 7J/542 TO No. 4 ENGINE BULKHEAD PLUG 548, GROUP	1	--		
	448V7909	CABLE, (F448), 7J/543 TO No. 3 ENGINE BULKHEAD PLUG 548, GROUP	1	--		
	449V7909	CABLE, (F449), 7J/544 TO AMPLIFIER, GROUP	1	--		
	533V7909	CABLE, (F533), 13P TO 21P, GROUP	1	--		
	534V7909	CABLE, (F534), R.P.B. 182 TO 15P AND 19P, . GROUP	1	--		
	565V7909	CABLE, (F565), 13P TO PORT FORWARD SWITCHES, GROUP	1	--		
	566V7909	CABLE, (F566), 13P TO PORT AFT SWITCHES, GROUP	1	--		
	567V7909	CABLE, (F567), 13P TO STARBOARD AFT ... SWITCHES, GROUP	1	--		
	568V7909	CABLE, (F568), 13P TO STARBOARD FORWARD SWITCHES, GROUP	1	--		
	570V7909	CABLE, (F570), 16P TO 19P AND 65P, GROUP	1	--		
	590V7909	CABLE, (F590), 27P TO No. 1 TANK FUEL ... PUMP, GROUP	1	--		
	629V7909	CABLE, (F629), 28P TO No. 1 TANK FUEL ... PUMP, GROUP	1	--		
	686V7909	CABLE, (F686), 16P TO RELAYS 343 AND ... 348, GROUP	1	--		
	687V7909	CABLE, (F687), RELAY 342 TO EARTH, GROUP	1	--		
	688V7909	CABLE, (F688), RELAY 343 TO EARTH, GROUP	1	--		
	716V7909	CABLE, (F716), TB.646 TO EARTH, GROUP ..	1	--		
12735	729V7909	CABLE, (F729), No. 1 CONTROL PANEL TO .. No. 1 FREQUENCY CHANGER, GROUP	1	--	C	
11652	730V7909	CABLE, (F730), No. 1 CONTROL PANEL TO .. No. 1 FREQUENCY CHANGER, GROUP	1	--	C	
1510110	731V7909	CABLE, (F731), No. 2 CONTROL PANEL TO .. No. 2 RECTIFIER BOX, GROUP	1	--	C	
12736	732V7909	CABLE, (F732), No. 2 CONTROL PANEL TO .. No. 2 RECTIFIER BOX, GROUP	1	--	C	

ELECTRICAL INSTALLATION

NOSEWHEEL BAY

Ref. No.	Part No.	Description	No. off	Matl. Spec.	Cl. of St.	Plate and Illust'n No.
					M.R.	
		1 2 3 4				
	762V7909	CABLE, (F762), TB.241 TO EARTH, GROUP ..	1	—		
	794V7909	CABLE, (F794), 13P TO EARTH, GROUP	1	—		
	801V7909	CABLE, (F801), 19P TO 64P, GROUP	1	—		
	866V7909	CABLE, (F866), 64P TO EARTH, GROUP	1	—		
	874V7909	CABLE, (F874), RELAY 347 TO 64P, GROUP .	1	—		
	875V7909	CABLE, (F875), RELAY 346 TO 64P, GROUP .	1	—		
	876V7909	CABLE, (F876), RELAY 346 TO RELAY 347, . GROUP	1	—		
	877V7909	CABLE, (F877), RELAY 346 TO RELAY 349, . GROUP	1	—		
	878V7909	CABLE, (F878), RELAY 347 TO RELAY 348, . GROUP	1	—		
	879V7909	CABLE, (F879), RELAY 347 TO RELAY 348, . GROUP	1	—		
	880V7909	CABLE, (F880), RELAY 348 TO RELAY 349, . GROUP	1	—		
	881V7909	CABLE, (F881), RELAY 349 TO EARTH,	1	—		
	901V7909	CABLE, (F901), TB.717 TO TB's 536 AND 537, GROUP (Pre-Mod. 1527)	1	—		
	927V7909	CABLE, (F927), TB.729 TO TB.807, GROUP ..	1	—		
	928V7909	CABLE, (F298), TB.729 TO EARTH, GROUP ..	1	—		
	936V7909	CABLE, (F936), TB.747 TO TB.536, GROUP .. (Pre-Mod. 1527)	1	—		
	941V7909	CABLE, (F941), TB.747 TO EARTH, GROUP .. (Pre-Mod. 1527)	1	—		
	976V7909	CABLE, (F976), TB.741 TO TB.547, GROUP ..	1	—		
	1042V7909	CABLE, (F1042), 28P TO RELAY 454, GROUP (Pre-Mod. 1552)	1	—		

VULCAN Mk. 2

ELECTRICAL INSTALLATION

Page FM. 5

NOSEWHEEL BAY

Ref. No.	Part No.	Description	No. off	Matl. Spec.	Cl. of St.	Plate and Illust'n No.
					M.R.	
		1 2 3 4				
	1044V7909	CABLE, (F1044), RELAY 454 TO EARTH, GROUP	1	—		
	1047V7909	CABLE, (F1047), T.R.U. TO FAN, GROUP	1	—		
	9852V7909	CABLE, (F1048), T.R.U. TO EARTH, GROUP . (Mod. 2195)	1	—		
	1066V7909	CABLE, (F1066), SWITCH TO FUSE, GROUP .	1	—		
	1076V7909	CABLE, (F1076), R.P.B. 477 TO AIR BURST .. UNIT, GROUP	1	—		
	1078V7909	CABLE, (F1078), R.P.B. 476 TO FRONT SPAR BREAK 475, GROUP	1	—		
	1090V7909	CABLE, (F1090), R.P.B. 478 TO FRONT SPAR BREAK 474, GROUP	1	—		
	1092V7909	CABLE, (F1092), DISTRIBUTOR TO R.P.B. . . . 145, GROUP	1	—		
	1095V7909	CABLE, (F1095), No. 13 TO No. 14 LAMP, GROUP	1	—		
	1096V7909	CABLE, (F1096), No. 14 LAMP TO EARTH, GROUP	1	—		
	1114V7909	CABLE, (F1114), TB.911 TO TB. 706, GROUP .	1	—		
	1117V7909	CABLE, (F1117), TB.557 TO SWITCHES, GROUP	1	—		
	1131V7909	CABLE, (F1131), SWITCH TO TB.210, GROUP	1	—		
	1132V7909	CABLE, (F1132), STEERING VALVE TO 13P, GROUP	1	—		
	1133V7909	CABLE, (F1133), SWITCHES TO TB's 208, 211 AND 214, GROUP,	1	—		
	1134V7909	CABLE, (F1134), UNDERCARRIAGE VALVE TO 13P, GROUP	1	—		
	1135V7909	CABLE, (F1135), DOOR VALVE TO 13P, GROUP	1	—		
	1137V7909	CABLE, (F1137), SWITCHES TO TB's 210 AND 214, GROUP	1	—		
	1138V7909	CABLE, (F1138), SWITCH TO TB.214, GROUP	1	—		

ELECTRICAL INSTALLATION
NOSEWHEEL BAY

Ref. No.	Part No.	Description	No. off	Matl. Spec.	Cl. of	Plate and Illust'n No.
					St. M.R.	
		1 2 3 4				
	1139V7909	CABLE, (F1139), DOOR SWITCH TO TB.211, . GROUP	1	-		
	1140V7909	CABLE, (F1140), STEERING VALVE TO DRUM SWITCH, GROUP	1	-		
	1141V7909	CABLE, (F1141), 13P TO 21P, GROUP	1	-		
	1196V7909	CABLE, (F1196), PORT WING BREAK 517 ... TO R.P.B.513, GROUP	1	-		
	1199V7909	CABLE, (F1199), STARBOARD WING BREAK 518 TO R.P.B.516, GROUP	1	-		
	1297V7909	CABLE, (F1297), TO 19P, GROUP	1	-		
	9853V7909	CABLE, (F1301), 7.5 KW. T.R.U. TO EARTH, . GROUP (Mod. 2195)	1	-		
	1304V7909	CABLE (F1304), 27P TO No. 1 TANK FUEL .. PUMP, GROUP	1	-		
	1310V7909	CABLE, (F1310), 28P TO No. 1 TANK FUEL .. PUMP, GROUP	1	-		
	1316V7909	CABLE, (F1316), TB.89 TO C.B.58, GROUP ...	1	-		
	1317V7909	CABLE, (F1317), TB.89 TO C.B.59, GROUP ...	1	-		
	1318V7909	CABLE, (F1318), TB.90 TO C.B.60, GROUP ...	1	-		
	1321V7909	CABLE, (F1321), 1J/13 TO 19P, GROUP	1	-		
	1322V7909	CABLE, (F1322), 1J/13 TO 19P, GROUP	1	-		
	1325V7909	CABLE, (F1325), 19P TO EARTH, GROUP	1	-		
	1328V7909	CABLE, (F1328), 1J/13 TO 19P, GROUP	1	-		
	1330V7909	CABLE, (F1330), 19P TO No. 13 LAMP	1	-		
		AND SWITCH, GROUP				
	1503V7909	CABLE, (F1503), TB.2036 TO TB.459, GROUP	1	-		
	1504V7909	CABLE, (F1504), TB.2036 TO TB.464, GROUP	1	-		
	1507V7909	CABLE, (F1507), TB.2138 TO TB.463, GROUP	1	-		
	1508V7909	CABLE, (F1508), TB.2138 TO TB.463, GROUP	1	-		

VULCAN Mk. 2

ELECTRICAL INSTALLATION

Page FM. 7

NOSEWHEEL BAY

Ref. No.	Part No.	Description	No. off	Matl. Spec.	Cl. of St.	Plate and Illust'n No.
					M.R.	
		1 2 3 4				
	1588V7909	CABLE, (F1588), 19 P TO TB.699, GROUP	1	—		
	1594V7909	CABLE, (F1594), 15P TO INTERNAL GROUND SUPPLY FUSES, GROUP	1	—		
	1595V7909	CABLE, (F1595), 16P TO INTERNAL GROUND SUPPLY FUSES, GROUP	1	—		
12737	1623V7909	CABLE, (F1623), No. 1 CONTROL PANEL TO RECTIFIER UNIT, GROUP	1	—		
1510111	1624V7909	CABLE, (F1624), No. 2 CONTROL PANEL TO RECTIFIER UNIT, GROUP	1	—		
	1632V7909	CABLE, (F1632), TEST SWITCH TO RELAY . . 240, GROUP	1	—		
	1634V7909	CABLE, (F1634), TEST SWITCH TO TB.212, . . GROUP	1	—		
	1682V7909	CABLE, (F1682), 64P TO RELAY 337, GROUP	1	—		
	1712V7909	CABLE, (F1712), DOOR INDICATOR TO EARTH, GROUP	1	—		
	1713V7909	CABLE, (F1713), SWITCH PANEL TO EARTH, GROUP	1	—		
	1752V7909	CABLE, (F1752), RELAY 480 TO TB.214, GROUP	1	—		
	1753V7909	CABLE, (F1753), RELAY 447 TO TB.214, GROUP	1	—		
	1775V7909	CABLE, (F1775), 63P TO TB's 916 AND 919, . . GROUP	1	—		
	1918V7909	CABLE, (F1918), 64P TO RELAYS 1, 2 AND . . 357, GROUP	1	—		
	1919V7909	CABLE, (F1919), RELAY 357 TO 2J, GROUP .	1	—		
	1920V7909	CABLE, (F1920), No. 4 FIRE EXT. TO 63P AND RELAY 359, GROUP	1	—		
	1921V7909	CABLE, (F1921), No. 2 FIRE BOTTLE TO TB.912 AND RELAY 359, GROUP	1	—		
	1922V7909	CABLE, (F1922), No. 3 FIRE EXT. TO 63P AND RELAY 358, GROUP	1	—		

ELECTRICAL INSTALLATION
NOSEWHEEL BAY

Ref. No.	Part No.	Description	No. off	Matl. Spec.	Cl. of St.	Plate and Illust'n No.
					M.R.	
		<u>1</u> 2 3 4				
	1923V7909	CABLE, (F1923), No. 1 FIRE BOTTLE TO TB 213 AND RELAY 358, GROUP	1	—		
	1924V7909	CABLE, (F1924), RELAY 357 TO RELAY 358, GROUP	1	—		
	1925V7909	CABLE, (F1925), RELAY 357 TO RELAY 359, GROUP	1	—		
	1926V7909	CABLE, (F1926), RELAY 358 TO No. 1 RELAY UNIT, GROUP	1	—		
	1927V7909	CABLE, (F1927), RELAY 359 TO No. 2 RELAY UNIT, GROUP	1	—		
	1928V7909	CABLE, (F1928), RELAY UNIT No. 1 TO PORT FIREWIRE, GROUP	1	—		
	1929V7909	CABLE, (F1929), RELAY UNIT No. 1 TO PORT FIREWIRE, GROUP	1	—		
	1930V7909	CABLE, (F1930), RELAY UNIT No. 2 TO STARBOARD FIREWIRE, GROUP	1	—		
	1931V7909	CABLE, (F1931), RELAY UNIT No. 2 TO STARBOARD FIREWIRE, GROUP	1	—		
	1932V7909	CABLE, (F1932), RELAY UNIT No. 1 TO 27P, GROUP	1	—		
	1933V7909	CABLE, (F1933), RELAY UNIT No. 2 TO 27P, GROUP	1	—		
	2004V7909	CABLE, (F2004), 73P TO 30P, 31P, 32P AND . . 33P, GROUP (Pre-Mod. 1320)	1	—		
	2078V7909	CABLE, (F2078), TB 520 TO FUSE 761, GROUP	1	—		
	2128V7909	CABLE, (F2128), HYDRAULIC POWER PACK SWITCH TO RELAY 254, GROUP	1	—		
	2133V7909	CABLE, (F2133), AT RELAY 337, GROUP	1	—		
	2145V7909	CABLE, (F2145), 15P TO 30P, GROUP	1	—		
	2146V7909	CABLE, (F2146), 15P TO 31P, GROUP	1	—		
	2147V7909	CABLE, (F2147), 16P TO 32P, GROUP	1	—		
	2148V7909	CABLE, (F2148), 16P TO 33P, GROUP	1	—		
	2150V7909	CABLE, (F2150), BATTERY (+) TO FUSE 859, GROUP	1	—		

VULCAN Mk. 2

**ELECTRICAL INSTALLATION
NOSEWHEEL BAY**

Page FM. 9

Ref. No.	Part No.	Description	No. off	Matl. Spec.	Cl. of St.	Plate and Illust'n No.
					M.R.	
		1 2 3 4				
	2151V7909	CABLE, (F2151), BATTERY (—) TO EARTH, GROUP	1	—		
	2185V7909	CABLE, (F2185), 15P TO 31P, GROUP ...	1	—		
	2186V7909	CABLE, (F2186), 15P TO 30P, GROUP ...	1	—		
	2187V7909	CABLE, (F2187), 16P TO 32P, GROUP ...	1	—		
	2188V7909	CABLE, (F2188), 16P TO 33P, GROUP ...	1	—		
	2241V7909	CABLE, (F2241), 19P TO 65P, GROUP ...	1	—		
	2294V7909	CABLE, (F2294), R.P.B. 876 TO 58P, GRP.	1	—		
	2303V7909	CABLE, (F2303), R.P.B. 877 TO 28P, GRP.	1	—		
	2345V7909	CABLE, (F2345), FIRE EXT. TEST SWITCH TO EARTH, GROUP (Mod. 526)	1	—		
	2377V7909	CABLE, (F2377), FIRE EXT. TEST SWITCH TO 78P, GROUP (Mod. 526)	1	—		
	2407V7909	CABLE, (F2407), FIRE EXT. TEST SWITCH TO 19P, GROUP (Mod. 526)	1	—		
	2408V7909	CABLE, (F2408), RELAY BOX TO FIRE-WIRE, GROUP (Mod. 526)	1	—		
	2409V7909	CABLE, (F2409), RELAY BOX TO 28P, (Mod. 526)	1	—		
	2410V7909	CABLE, (F2410), 19P TO 78P, GROUP (Mod. 526)	1	—		
	2411V7909	CABLE, (F2411), 19P TO 78P, GROUP (Mod. 526)	1	—		
	2459V7909	CABLE, (F2459), HYDRAULIC PRESSURE No. 2 TO 63P, GROUP	1	—		
	2460V7909	CABLE, (F2460), HYDRAULIC PRESSURE No. 1 TO 63P, GROUP	1	—		
	2485V7909	CABLE, (F2485), GROUND SERVICING PLUG + TO TB. 598, GROUP (Pre-Mod. 1417)	1	—		
	2486V7909	CABLE, (F2486), TEST SOCKET TO TB. 2137 AND EARTH, GROUP (Pre-Mod. 1744)	1	—		
	2489V7909	CABLE, (F2489), TEST SOCKET TO TB. 2138 AND EARTH, GROUP (Pre-Mod. 1744)	1	—		

**ELECTRICAL INSTALLATION
NOSEWHEEL BAY**

Ref. No.	Part No.	Description	No. off	Matl. Spec.	Cl. of St.	Plate and Illust'n No.
					M.R.	
		1 2 3 4				
	2569V7909	CABLE, (F2569), RELAY 349 AND SWITCH TO FUSES 749 AND 764, GROUP (Mod. 1174)	1	—		
	2579V7909	CABLE, (F2579), STARTER PANEL TO FUSE 859, GROUP	1	—		
	2627V7909	CABLE, (F2627), R.P.B. 806 TO 2J/15, 15P AND 65P, GROUP (Pre-Mod. 1553)	1	—		
	2628V7909	CABLE, (F2628), R.P.B. 809 TO 16P, GRP. (Pre-Mod. 1174)	1	—		
	2629V7909	CABLE, (F2629), R.P.B. 796 TO ADJ. 15P, GROUP	1	—		
	2645V7909	CABLE, (F2645), RELAY 351 TO EARTH, GROUP	1	—		
	2678V7909	CABLE, (F2678), 15P TO EARTH, GROUP	1	—		
	2727V7909	CABLE, (F2727), No. 1 GROUP PRESSURE SWITCH TO 15P, GROUP (Mod. 1430)	1	—		
	2728V7909	CABLE, (F2728), No. 2 GROUP PRESSURE SWITCH TO 15P, GROUP (Mod. 1430)	1	—		
	2729V7909	CABLE, (F2729), No. 3 GROUP PRESSURE SWITCH TO 15P, GROUP (Mod. 1430)	1	—		
	2730V7909	CABLE, (F2730), No. 4 GROUP PRESSURE SWITCH TO 15P, GROUP (Mod. 1430)	1	—		
	2737V7909	CABLE, (F2737), 64P TO 16P, GROUP (Mod. 1631)	1	—		
	2738V7909	CABLE, (F2738), 64P TO 28P, GROUP (Mod. 1631)	1	—		
	2781V7909	CABLE, (F2781), RELAY BOX TO FIRE-WIRE, GROUP (Mod. 526)	1	—		
	2782V7909	CABLE, (F2782), AT EXT. TEST SWITCH, GROUP (Mod. 526)	1	—		
	2783V7909	CABLE, (F2783), FIRE EXT. TEST SWITCH TO RELAY BOX, GROUP (Mod. 526)	1	—		
	2802V7909	CABLE, (F2802), 19P TO TB. 1060, GROUP (Mod. 689)	1	—		
	2803V7909	CABLE, (F2803), 27P TO TB. 1054, GROUP (Mod. 689) (Pre-Mod. 1552)	1	—		
	2804V7909	CABLE, (F2804), PORT T.R.U. TO RELAY 477, GROUP	1	—		

VULCAN Mk. 2

ELECTRICAL INSTALLATION

NOSEWHEEL BAY

Ref. No.	Part No.	Description	No. off	Matl. Spec.	Cl. of St.	Plate and Illust'n No.
					M.R.	
		1 2 3 4				
	2805V7909	CABLE, (F2805), STARBOARD T.R.U. TO RELAY 454, GROUP	1	—		
	2806V7909	CABLE, (F2806), RELAY 454 TO 16P, GROUP	1	—		
	2813V7909	CABLE, (F2813), LINK, RELAY 358, GROUP . (Mod. 738)	1	—		
	2814V7909	CABLE, (F2814), LINK, RELAY 359 GROUP . . (Mod. 738) (Pre-Mod. 1174)	1	—		
	2815V7909	CABLE, (F2815), 63P TO RELAYS 358 AND . . 359, GROUP (Mod. 738)	1	—		
	2816V7909	CABLE, (F2816), 63P TO 1J/4, GROUP (Mod. 738)	1	—		
	2864V7909	CABLE, (F2864), 16P TO 56P, GROUP (Mod. 707)	1	—		
	2907V7909	CABLE, (F2907), RELAY 567 TO TB.916, GROUP (Mod. 885)	1	—		
	2910V7909	CABLE, (F2910) R.P.B.958 TO FRONT SPAR . BREAK 965, GROUP (Mod. 748) (Pre-Mod. 1174)	1	—		
	2960V7909	CABLE, (F2960), R.P.B.973 TO FRONT SPAR . BREAK 981, GROUP (Mod. 748) (Pre-Mod. 1174)	1	—		
	2962V7909	CABLE, (F2962), R.P.B.975 TO FRONT SPAR . BREAK 983, GROUP (Mod. 748) (Pre-Mod. 1174)	1	—		
12190	2972V7909	CABLE, (F2972), R.P.B.976 TO FRONT SPAR . BREAK 984, GROUP (Mod. 748) (Pre-Mod. 1174)	1	—	C	
	2973V7909	CABLE, (F2973), 15P TO RELAY 342, GROUP	1	—		
	2974V7909	CABLE, (F2974), 16P TO RELAY 343, GROUP	1	—		
	2981V7909	CABLE, (F2981), PORT WING BREAK 519 TO R.P.B.514, GROUP (Mod. 743)	1	—		
	2988V7909	CABLE, (F2988), R.P.B.972 TO FRONT SPAR . BREAK 980, GROUP (Mod. 748) (Pre-Mod. 1174)	1	—		
	2990V7909	CABLE, (F2990), RELAY BOX TO FIREWIRE, GROUP (Mod. 526)	1	—		
	2991V7909	CABLE, (F2991), 15P TO 21P, GROUP (Mod. 774)	1	—		

ELECTRICAL INSTALLATION

NOSEWHEEL BAY

Ref. No.	Part No.	Description	No. off	Matl. Spec.	Cl. of St.	Plate and Illust'n No.
					M.R.	
		1 2 3 4				
	2992V7909	CABLE, (F2992), 16P TO 21P, GROUP (Mod. 774)	1	—		
	2996V7909	CABLE, (F2996), R.P.B.974 TO FRONT SPAR . BREAK 982, GROUP (Mod. 748) (Pre-Mod. 1174)	1	—		
	2998V7909	CABLE, (F2998), R.P.B.978 TO FRONT SPAR . BREAK 986, GROUP (Mod. 748) (Pre-Mod. 1174)	1	—		
	2999V7909	CABLE, (F2999), 73P TO 63P, GROUP (Mod. 773) (Pre-Mod. 1320)	1	—		
	3002V7909	CABLE, (F3002), 63P TO 39P, GROUP (Mod. 773) (Pre-Mod. 1320)	1	—		
	3004V7909	CABLE, (F3004), LINK RELAY 634, GROUP .. (Mod. 773) (Pre-Mod. 1320)	1	—		
	3005V7909	CABLE, (F3005), RELAY 634 TO TB.916, GROUP (Mod. 773)	1	—		
	3008V7909	CABLE, (F3008), RELAY 559 TO TB.556, GROUP (Mod. 770)	1	—		
	3009V7909	CABLE, (F3009), RELAY 559 TO TB.584, GROUP (Mod. 770)	1	—		
	3012V7909	CABLE, (F3012), 28P TO RELAY 202 GROUP . (Mod. 715) (Pre-Mod. 1552)	1	—		
	3013V7909	CABLE, (F3013), RELAY 351 TO RELAY 202, GROUP (Mod. 715)	1	—		
	3014V7909	CABLE, (F3014), RELAY 202 TO EARTH, GROUP (Mod. 715)	1	—		
	3115V7909	CABLE, (F3115), TEMPERATURE BULB TO .. TRUE AIRSPEED UNIT, GROUP (Mod. 863)	1	—		
	3118V7909	CABLE, (F3118), TB.920 TO TB.922, GROUP . (Mod. 916) (Pre-Mod. 1174)	1	—		
	3141V7909	CABLE, (F3141), AUTO-THROTTLE J/BOX .. TO R.P.B.273, GROUP (Mod. 980)	1	—		
	3144V7909	CABLE, (F3144), R.P.B.272, 73P AND RELAY'S 250 AND 251 TO AUTO-THROTTLE J/BOX, GROUP (Mod. 980)	1	—		
	3145V7909	CABLE, (F3145), R.P.B.274, 73P AND RELAY'S 250 AND 251 TO AUTO-THROTTLE J/BOX, GROUP (Mod. 980)	1	—		

VULCAN Mk. 2

ELECTRICAL INSTALLATION

NOSEWHEEL BAY

Ref. No.	Part No.	Description	No. off	Matl. Spec.	Cl. of St.	Plate and Illust'n No.
					M.R.	
		1 2 3 4				
	3157V7909	CABLE, (F3157), No. 1 FREQUENCY P.U. UNIT TO 19P, TB. 29 AND EARTH, GROUP (Mod. 915)	1	-		
	3158V7909	CABLE (F3158), No. 1 FREQUENCY CHANGER TO 15P AND TB. 29, GROUP (Mod. 915)	1	-		
	3159V7909	CABLE, (F3159), No. 1 FREQUENCY CHANGER TO TB. 29, GROUP (Mod. 915)	1	-		
	3160V7909	CABLE, (F3160), TB. 29 TO EARTH, GROUP . (Mod. 915)	1	-		
	3161V7909	CABLE, (F3161), No. 2 FREQUENCY P.U. UNIT TO TB. 30 AND EARTH, GROUP (Mod. 915)	1	-		
	3162V7909	CABLE, (F3162), No. 2 FREQUENCY CHANGER TO TB. 30 AND 15P, GROUP (Mod. 915)	1	-		
	3163V7909	CABLE, (F3163), No. 2 FREQUENCY CHANGER TO TB. 30, GROUP (Mod. 915)	1	-		
	3164V7909	CABLE, (F3164), TB. 30 TO EARTH, GROUP . (Mod. 915)	1	-		
	3184V7909	CABLE, (F3184), 16P TO 39P, GROUP (Mod. 952)	1	-		
	3185V7909	CABLE, (F3185), 16P TO 1J/4, GROUP (Mod. 952)	1	-		
	3186V7909	CABLE, (F3186), 16P TO 38P, GROUP (Mod. 952)	1	-		
	3188V7909	CABLE, (F3188), 15P TO 16P, GROUP (Mod. 952)	1	-		
	3192V7909	CABLE, (F3192), AT TB. 971, GROUP (Mod. 952)	1	-		
	3193V7909	CABLE, (F3193), TB. 971 TO TB. 972, GROUP (Mod. 952)	1	-		
	3199V7909	CABLE, (F3199), RELAY 706 TO EARTH, GROUP (Mod. 952)	1	-		
	3200V7909	CABLE, (F3200), RELAY 707 TO EARTH, GROUP (Mod. 952)	1	-		
	3206V7909	CABLE, (F3206), TB. 1088 TO TB. 655 AND .. FUSE 282, GROUP (Mod. 908)	1	-		
	3221V7909	CABLE, (F3221), 16P TO 15P, GROUP (Mod. 983)	1	-		

ELECTRICAL INSTALLATION
NOSEWHEEL BAY

Ref. No.	Part No.	Description	No. off	Matl. Spec.	Cl. of	Plate and Illust'n No.
					St. M.R.	
		1 2 3 4				
	3222V7909	CABLE, (F3222) 16P TO STARBOARD ANTI-COLLISION LAMP, GROUP	1	—		
	3223V7909	CABLE, (F3223) 15P TO PORT ANTI-COLLISION LAMP, GROUP	1	—		
	3227V7909	CABLE, (F3227) UPPER ANTI-COLLISION ... LAMP TO EARTH, GROUP	1	—		
	3360V7909	CABLE, (F3360), PLUG 598 TO R.P.B. 597 ... AND EARTH, GROUP	1	—		
	3532V7909	CABLE, (F3532) RECTIFIER TO FUSE 983, .. GROUP	1	—		
	3539V7909	CABLE, (F3539) 73P TO 39P, GROUP	1	—		
	3541V7909	CABLE, (F3541) RECTIFIER TO REFUELLING GROUND PLUG, GROUP	1	—		
	3543V7909	CABLE, (F3543) 73P TO 30P, 31P, 32P AND .. 33P, GROUP	1	—		
	3546V7909	CABLE, (F3546) 19P TO 63P, GROUP	1	—		
	3547V7909	CABLE, (F3547) 63P TO 64P, GROUP	1	—		
	4108V7909	CABLE, (F4108) I.F.F. SUPPLIES, FUSE 828 .. TO TB.676, GROUP (Mod. 2155)	1	—		
	4109V7909	CABLE, (F4109) I.F.F. TEST SOCKET 1233 ... TO 19P AND EARTH, GROUP (Mod. 2155)	1	—		
	4110V7409	CABLE, (F4110) 1 AND 2 J.P.T. RESISTORS .. TO 63P, GROUP (Mod. 2253)	1	—		
	4111V7909	CABLE, (F4111) 63P TO 1P, GROUP	1	—		
	4112V7909	CABLE, (F4112) 3 AND 4 J.P.T. RESISTORS .. TO TB.2161 (Mod. 2253)	1	—		
	4113V7909	CABLE, (F4113) 63P TO 1P, GROUP	1	—		
	4114V7909	CABLE, (F4114) 63P TO J.P.T. RESISTOR, ... GROUP (Mod. 2254)	1	—		
	4128V7909	CABLE, (F4128) 63P TO J.P.T. INDICATOR, .. GROUP (Mod. 2254)	1	—		

ELECTRICAL INSTALLATION
NOSEWHEEL BAY

Ref. No.	Part No.	Description	No. off	Matl. Spec.	Cl. of St.	Plate and Illust'n No.
					M.R.	
		1 2 3 4				
	4142V7909	CABLE, (F4142) I.F.F. SUPPLIES RELAY 337 TO TB.646, GROUP (Mod. 2155)	1	—		
	4157V7909	CABLE, (F4157) ENGINE FIRE WARNING, . . . No. 1 STARBOARD CONTROL UNIT TO 15P AND 16P, GROUP (Mod. 2271)	1	—		
	4158V7909	CABLE, (F4158) ENGINE FIRE WARNING, . . . No. 2 PORT CONTROL UNIT TO 15P, GROUP (Mod. 2271)	1	—		
	4159V7909	CABLE, (F4159) ENGINE FIRE WARNING, . . . No. 3 PORT CONTROL UNIT TO 15P, GROUP (Mod. 2271)	1	—		
	460V7909	CABLE, (F4160) ENGINE FIRE WARNING, . . . No. 4 STARBOARD CONTROL UNIT TO 16P, GROUP (Mod. 2271)	1	—		
	4165V7909	CABLE, (F4165) No. 2 AMPLIFIER TO TB.747 AND CABLE BOX, GROUP (Mod. 2283)	1	—		
	4166V7909	CABLE, (F4166) No. 2 AMPLIFIER TO TB.729 AND CABLE BOX, GROUP (Mod. 2283)	1	—		
	4175V7909	CABLE (F4175) GROUP (Mod. 2292)	1	—		

VULCAN Mk. 2

ELECTRICAL INSTALLATION

Page FM, 15

NOSEWHEEL BAY

Ref. No.	Part No.	Description	No. off	Matl. Spec.	Cl. of St.	Plate and Illust'n No.
					M.R.	
		1 2 3 4				
	7006V7909	CABLE, (F954), TB.912 TO TB.1144, GROUP (Mod. 545)	1	-		
	7007V7909	CABLE, (F955), TB.912 TO TB.1144, GROUP (Mod. 545)	1	-		
	7027V7909	CABLE, (F917), ADJ 19P TO 39P, GROUP	1	-		
	7032V7909	CABLE, (F908), 19P TO 38P, GROUP	1	-		
	7033V7909	CABLE, (F98), R.P.B. 148 TO 16P, 32P, 33P, . . 64 AND 2J/17, GROUP	1	-		
	7082V7909	CABLE, (F908), R.P.B. 107 TO 65P, 1J AND 2J/15, GROUP (Mod. 1174)	1	-		
	7108V7909	CABLE, (F2149), GROUND SERVICING PLUG TO REFUELLING PLUG, GROUP	1	-		
	7109V7909	CABLE, (F1606), GROUND REFUELLING PLUG TO FUSES 982 AND 983, GROUP	1	-		
	7110V7909	CABLE, (F1299), GROUND SERVICING PLUG TO EARTH, GROUP	1	-		
	7120V7909	CABLE, (F726), No. 1 FREQUENCY CHANGER TO 27P, GROUP	1	-		
	7121V7909	CABLE, (F727), No. 2 FREQUENCY CHANGER TO 27P, GROUP	1	-		
	7123V7909	CABLE, (F1884), TB. 926 TO RELAYS 358 AND 359, GROUP	1	-		
	7170V7909	CABLE, (F1987), 19J TO 19P, GROUP	1	-		
	2109V7909	CABLE, (F2109), TB. 2137 TO TB. 2138, GROUP (Pre-Mod. 1744)	1	-		
	7185V7909	CABLE, (F2109), TB. 2137 TO TB.2138, GROUP (Mod. 608)	1	-		
	7186V7909	CABLE, (F2107), TB. 2035 TO TB. 2036, GROUP (Mod. 608)	1	-		
	7187V7909	CABLE, (F1506), TB. 2137 TO TB. 463, GROUP (Pre-Mod. 1744)	1	-		
	7188V7909	CABLE, (F1509), TB. 2137 TO TB. 463, GROUP (Pre-Mod. 1744)	1	-		
	7189V7909	CABLE, (F1502), TB. 2135 TO TB. 459, GROUP (Pre-Mod. 1744)	1	-		
	7190V7909	CABLE, (F1505), TB. 2035 TO TB. 459, GROUP (Pre-Mod. 1744)	1	-		

ELECTRICAL INSTALLATION

NOSEWHEEL BAY

Ref. No.	Part No.	Description	No. off	Matl. Spec.	Cl. of St.	Plate and Illust'n No.
					M.R.	
		1 2 3 4				
	7240V7909	CABLE, (F112), R.P.B. 168 TO 64P, GROUP ..	1	-		
	7252V7909	CABLE, (F75), R.P.B. 117 TO 27P AND 2J/15, . GROUP	1	-		
	7253V7909	CABLE, (F104), R.P.B. 160 TO 28P/11, GROUP	1	-		
	7255V7909	CABLE, (F684), No. 1 FUEL TANK VALVE TO TB's 971 AND 972, GROUP	1	-		
	7256V7909	CABLE, (F906), No. 1 FUEL TANK VALVE TO TB's 971 AND 972, GROUP	1	-		
	7282V7909	CABLE, (F1687), RELAY 337 TO EARTH, GROUP	1	-		
	7284V7909	CABLE, (F528), STARBOARD CONTROL UNIT TO 16P AND RELAY 340, GROUP	1	-		
	7286V7909	CABLE, (F1296), GROUND SERVICE PLUG TO G.S. CONTACTOR, GROUP	1	-		
	7287V7909	CABLE, (F1685), RELAY 337 TO RELAY 646, GROUP	1	-		
	7300V7909	CABLE, (F933), No. 1, AMPLIFIER TO 16P, .. 39P AND EARTH, GROUP	1	-		
	7321V7909	CABLE, (F124), 27P TO 15P, GROUP	1	-		
	7326V7909	CABLE, (F940), No. 1, AMPLIFIER TO 15P, .. 38P AND EARTH, GROUP	1	-		
	7330V7909	CABLE, (F103), R.P.B. 159 AND 19P TO 39P .. AND CABIN AIR CONDITIONING UNIT, GROUP	1	-		
	7339V7909	CABLE, (F2303), R.P.B. 877 TO 28P AND No. . 3, AND No. 4 ALTERNATORS, GROUP	1	-		
	7340V7909	CABLE, (F882), TB. 916 TO EARTH, GROUP .	1	-		
	7341V7909	CABLE, (F1551), TRANS. TO RELAY 351, ... GROUP	1	-		
	7351V7909	CABLE, (F2003), 73P TO 19P AND 64P, GROUP	1	-		
	7584V7909	CABLE, (F2637), R.P.B. 788 TO PLUG 812, ... GROUP	1	-		
	7585V7909	CABLE, (F2638), R.P.B. 789 TO PLUG 813, ... GROUP	1	-		

VULCAN Mk. 2

ELECTRICAL INSTALLATION

Page FM. 17

NOSEWHEEL BAY

Ref. No.	Part No.	Description	No. off	Matl. Spec.	Cl. of St.	Plate and Illust'n No.
					M.R.	
		1 2 3 4				
	7586V7909	CABLE, (F2639), R.P.B.79C AND EARTH TO PLUG 814, GROUP	1	—		
	7587V7909	CABLE, (F2679), R.P.B.803, 823, 824 AND 876 TO PLUG 817 AND 819, GROUP	1	—		
	7589V7909	CABLE, (F2634), R.P.B.797 AND 805 TO RELAY UNIT, GROUP	1	—		
	7590V7909	CABLE, (F2635), R.P.B.799 AND EARTH TO RELAY UNIT, GROUP	1	—		
	7613V7909	CABLE, (F2970), STARTER PANEL TO 64P, GROUP	1	—		
	7616V7909	CABLE, (F93), R.P.B.140 TO 63P AND 2J, GROUP	1	—		
	7618V7909	CABLE, (F2971), STARTER PANEL TO 63P, GROUP	1	—		
	9861V7909	CABLE, (F63), R.P.B.104 TO 13P, 15P AND RELAY 477, GROUP (Mod. 2195)	1	—		
	7762V7909	CABLE, (F1040), 15P/5 to PORT T.R.U., GROUP	1	—		
	7763V7909	CABLE, (F1043), 16P/5 TO STARBOARD T.R.U., GROUP	1	—		
	7805V7909	CABLE, (F88), R.P.B.510 TO 56P, GROUP (Mod. 707)	1	—		
	7827V7909	CABLE, (F2807), RELAY 477 TO 15P/5, GROUP	1	—		
	7834V7909	CABLE, (F80), R.P.B.116 TO No. 1, CONTROL PANEL, GROUP	1	—		
	7844V7909	CABLE, (F77), R.P.B.119 TO 15P/7, 38P, AND 63P, GROUP (Mod. 738)	1	—		
	7865V7909	CABLE, (F1088), 2J/8 TO 19P, GROUP GROUP	1	—		
	7867V7907	CABLE, (F2067), TB.632 TO FUSE 760, GROUP (Mod. 885)	1	—		
	7886V7909	CABLE, (F119), R.P.B.135 AND 33P TO 28P AND No. 4 ENGINE BULKHEAD PLUG 257, GROUP (Mod. 1745)	1	—		
	7890V7909	CABLE, (F109), R.P.B.165 TO 15P, 16P EXT TEST SWITCH AND LOW RATE ACTUATOR, GROUP (Mod. 526)	1	—		

ELECTRICAL INSTALLATION
NOSEWHEEL BAY

Ref. No.	Part No.	Description	No. off	Matl. Spec.	Cl. of	Plate and Illust'n No.
					St. M.R.	
		1 2 3 4				
	7906V7909	CABLE, (F2895), TO R.A.T. COMPARTMENT, GROUP	1	—		
	7911V7909	CABLE, (F95), R.P.B.144 AND RELAYS 342 .. AND 343 TO 17P, 18P, 39P, 63P AND TEST SWITCH, GROUP	1	—		
	7948V7909	CABLE, (F905), No. 2 TANK SOLENOID TO .. RELAYS 416 AND EARTH, GROUP	1	—		
	7951V7909	CABLE, (F71), R.P.B.111 TO 26P AND 63P, ... GROUP (Mod. 569)	1	—		
	7952V7909	CABLE, (F114), GROUP (Pre-Mod. 2253)	1	—		
	9887V7909	CABLE, (F114), R.P.B.138 TO 26P AND	1	—		
		2J/15, GROUP (Mod. 2253)				
	7969V7909	CABLE, (F1494), RELAY 202 TO FUSE 200, .. GROUP (Mod. 715)	1	—		
	7975V7909	CABLE, (F72), R.P.B.113 TO 1J/13, 2J/15 AND 26P, GROUP (Mod. 569) (Pre-Mod. 2304)	1	—		
	7980V7909	CABLE, (F2115), RELAY 337 TO 28P/12, GROUP (Mod. 715)	1	—		
	8025V7909	CABLE, (F291), No. 2 TANK SOLENOID TO .. RELAY 416 AND EARTH, GROUP	1	—		
	8026V7909	CABLE, (F615), No. 2 TANK MOTOR TO 28P, .. GROUP	1	—		
	8027V7909	CABLE, (F601), No. 2 TANK MOTOR TO 27P, .. GROUP	1	—		
	8071V7909	CABLE, (F79), R.P.B.120 TO 1J/13 AND 26P, .. GROUP (Mod. 569)	1	—		
	8236V7909	CABLE, (F94), R.P.B.142 TO T.A.U., GROUP .. (Mod. 863)	1	—		
	8284V7909	CABLE, (F78), R.P.B.122 TO No. 2	1	—		
		FREQUENCY CHANGER, TB.29 AND TB.30, GROUP (Mod. 915)				
	8297V7909	CABLE, (F81), R.P.B.123 TO 2J/15, 63P AND .. 73P, GROUP (Mod. 950)	1	—		
	8300V7909	CABLE, (F438), 15P TO 2J/15, 13P, 16P, 19P .. AND 39P, GROUP (Mod. 950)	1	—		
	374V7909	CABLE, (F374), GROUP (Pre-Mod. 748)	1	—		
	8331V7909	CABLE, (F374), R.P.B.132 TO 19P AND 65P, .. GROUP (Mod. 1078)	1	—		
	9935V7909	CABLE, (F72), GROUP (Mod. 2304)	1	—		
		(Pre-Mod. 2352)				

VULCAN Mk. 2

ELECTRICAL INSTALLATION
NOSEWHEEL BAY

Page FM. 19

Ref. No.	Part No.	Description	No. off	Matl. Spec.	Cl. of St.	Plate and Illust'n No.
					M.R.	
		1 2 3 4				
	8335V7909	CABLE, (F902), No. 2 TANK LEVEL SWITCH TO TB. 717, GROUP (Mod. 952)	1	—		
	8339V7909	CABLE, (F919), No. 2 TANK LEVEL SWITCH TO TB. 741, GROUP (Mod. 952)	1	—		
	8342V7909	CABLE, (F910), No. 1 TANK LEVEL SWITCH TO ADJ. 19P, GROUP (Mod. 952)	1	—		
	8344V7909	CABLE, (F907), No. 1 TANK LEVEL SWITCH TO ADJ. 19P, GROUP (Mod. 952)	1	—		
	8345V7909	CABLE, (F680), 16P TO 39P, GROUP (Mod. 952)	1	—		
	8347V7909	CABLE, (F523), 15P TO 38P, GROUP (Mod. 952)	1	—		
	8369V7909	CABLE, (F101), R.P.B. 153 TO 16P AND AIR COND. UNIT 374, GROUP (Mod. 952)	1	—		
	8433V7909	CABLE, (F3018), R.P.B. 962 TO FRONT SPAR BREAK 966, GROUP (Mod. 1078)	1	—		
	8435V7909	CABLE, (F2985), STARBOARD WING BREAK 520 TO R.P.B. 515, GROUP (Mod. 743)	1	—	MR	
	8482V7909	CABLE, (F2811), FRONT SPAR BREAK 970 TO 15P, GROUP (Mod. 748)	1	—		
	8500V7909	CABLE, (F2366), AT No. 1 TANK, PORT, GROUP (Pre-Mod. 1744)	1	—		
	8501V7909	CABLE, (F2370), AT No. 1 TANK, STARBOARD, GROUP (Pre-Mod. 1744)	1	—		
	8553V7909	CABLE, (F89), R.P.B. 133 TO 16P, 19P, 63P AND 64P, GROUP (Mod. 983)	1	—		
	8559V7909	CABLE, (F100), R.P.B. 152 TO 2J/15 AND RELAY 719, GROUP (Mod. 969)	1	—		
	8565V7909	CABLE, (F60), R.P.B. 101 TO PORT WING BREAK 601, GROUP (Mod. 1072)	1	—		
	8566V7909	CABLE, (F1784), R.P.B. 642 TO STARBOARD WING BREAK 643, GROUP (Mod. 1072)	1	—		
	8574V7909	CABLE, (F2569), 15P TO RELAYS 349 AND 574, GROUP (Mod. 1074)	1	—		
	8576V7909	CABLE, (F3022), FRONT SPAR BREAK 969 TO R.P.B. 961, GROUP (Mod. 1078)	1	—		

ELECTRICAL INSTALLATION
NOSEWHEEL BAY

Ref. No.	Part No.	Description	No. off	Matl. Spec.	Cl. of St.	Plate and Illust'n No.
					M.R.	
		1 2 3 4				
	8582V7909	CABLE, (F2997), R.P.B. 1026 TO FRONT SPAR BREAK 985, GROUP (Mod. 12)	1	—		
	8586V7909	CABLE, (F76), R.P.B. 118 TO 1J/13, 15P, 80P AND RELAY 415, GROUP (Mod. 1045)	1	—		
	8610V7909	CABLE, (F65), R.P.B. 106 TO 1J, 63P, RELAY 423 AND AIR CONT. FEED COCK, GROUP (Mod. 1073)	1	—		
	8617V7909	CABLE, (F74), R.P.B. 115 TO 2J, 13P, 15P AND 38P, GROUP (Mod.)	1	—		
	8629V7909	CABLE, (F105), R.P.B. 162 TO 2J/17, 1J/13 AND TEST SWITCH PANEL, GROUP	1	—		
	8631V7909	CABLE, (F2916), R.P.B. 959 TO FRONT SPAR BREAK 967, GROUP (Mod. 1225)	1	—		
	8671V7909	CABLE, (F3224), 15P TO UPPER ANTI-COLLISION LAMP, GROUP (Mod. 983)	1	—		
	8694V7909	CABLE, (F70), R.P.B. 110, 30P AND 63P TO 1J, 2J AND No. 1 ENGINE BULK-HEAD, GROUP (Mod. 1284)	1	—		
	8696V7909	CABLE, (F90), R.P.B. 136, 32P AND 63P TO 19P, 2J AND No. 3 ENGINE BULK-HEAD 256, GROUP (Mod. 1284)	1	—		
	8697V7909	CABLE, (F91), R.P.B. 137 TO 1J/13, 2J, 32P, 33P, 78P AND 80P, GROUP (Mod. 1284)	1	—		
	8714V7909	CABLE, (F97), R.P.B. 147 TO 16P, 64P AND 2J, GROUP (Mod. 1271)	1	—		
	8715V7909	CABLE, (F800), R.P.B. 124 TO 15P AND 63P, GROUP (Mod. 1271)	1	—		
	8720V7909	CABLE, (F2902), 19P TO 63P, GROUP (Mod. 1271)	1	—		
	8721V7909	CABLE, (F2903), TB. 913 TO MICRO SWITCHES, GROUP (Mod. 1271)	1	—		
	8722V7909	CABLE, (F2904), 19P TO 63P, GROUP (Mod. 1271)	1	—		
	8723V7909	CABLE, (F2905), TB.'s 911 AND 912 TO MICRO SWITCHES, GROUP (Mod. 1271)	1	—		
	8724V7909	CABLE, (F2906), 15P TO 63P, GROUP (Mod. 1271)	1	—		

VULCAN Mk. 2

ELECTRICAL INSTALLATION

Page FM. 21

NOSEWHEEL BAY

Ref. No.	Part No.	Description	No. off	Matl. Spec.	Cl. of St.	Plate and Illust'n No.
					M.R.	
		1 2 3 4				
	8725V7909	CABLE, (F2908), 63P TO 64P, GROUP (Mod. 1271)	1	—		
	8802V7909	CABLE, (F1296), GROUND SUPPLY PLUG TO 19P/9, GROUP (Mod. 1417)	1	—		
	8804V7909	CABLE, (F2149), REFUELLING PLUG TO EARTH, GROUP (Mod. 1417)	1	—		
	8805V7909	CABLE, (F2485) GROUND SUPPLY PLUG TO 19P/4, GROUP (Mod. 1417)	1	—		
	8840V7909	CABLE, (F1606), G.S. FUSES TO REFUEL GROUND PLUG AND RECTIFIER, GROUP (Mod. 1320)	1	—		
	8849V7909	CABLE, (F75), R.P.B. 117 TO 27P AND 2J/15, GROUP (Mod. 1320)	1	—		
	8850V7909	CABLE, (F104), R.P.B. 160 TO 28P/11, GROUP (Mod. 1320)	1	—		
	8858V7909	CABLE, (F2003), 73P/3 TO 19P, GROUP (Mod. 1320)	1	—		
	8859V7909	CABLE, (F89), R.P.B. 133 TO 16P, 19P, 63P AND 64P, GROUND (Mod.1320)	1	—		
	8873V7909	CABLE, (F90), GROUP (Mod. 1745) (Pre Mod. 1553)	1	—		
	9054V7909	CABLE, (F90) GROUP (Post Mod. 1553) (Pre Mod. 2481)	1	—		
	9972V7909	CABLE, (F90) GROUP (Mod. 2481)	1	—		
	8878V7909	CABLE, (F81), R.P.B. 123 AND 63P TO 2J AND 73P, GROUP (Mod. 1320)	1	—		
	8879V7909	CABLE, (F2004), 73P to 30P, 31P, 32P AND 33P, GROUP (Mod. 1320)	1	—		
	8898V7909	CABLE, (F726), No. 1 FREQUENCY CHANGER TO 28P, GROUP (Mod. 1552)	1	—		
	8899V7909	CABLE, (F727), No. 2 FREQUENCY CHANGER TO 27P, GROUP (Mod. 1552)	1	—		
	8903V7909	CABLE, (F2803), TB. 1054 TO 28P, GROUP (Mod. 1552)	1	—		
	8905V7909	CABLE, (F1494), RELAY 202 TO FUSE 197, GROUP (Mod. 1552)	1	—		
	8907V7909	CABLE, (F3012), 28P TO RELAY 202, GROUP (Mod. 1552)	1	—		

ELECTRICAL INSTALLATION

NOSEWHEEL BAY

Ref. No.	Part No.	Description	No. off	Matl. Spec.	Cl. of St.	Plate and Illust'n No.
					M.R.	
		1 2 3 4				
	8909V7909	CABLE, (F1042), RELAY 454 TO FUSE 220, GROUP (Mod. 1552)	1	—		
	8970V7909	CABLE, (F105), R.P.B. 162 TO 1J/13, 2J AND TEST SWITCH PANEL, GROUP (Mod. 1340)	1	—		
	8797V7909	CABLE, (F61), R.P.B. 102 TO 1J/16, 28P AND 31P, GROUP (Mod. 1451)	1	—		
	9004V7909	CABLE, (F535), R.P.B. 167 TO 15P AND 19P, GROUP (Mod. 1424)	1	—		
	9005V7909	CABLE, (F62), R.P.B. 104, 31P AND 63P TO 27P, 30P, No. 2 ENGINE BULKHEAD 255 AND AUTO THROTTLE J/BOX, GROUP (Mod. 1424) (Pre Mod. 2481)	1	—		
	9971V7909	CABLE, (F62) R.P.B. 104, 31P AND 63P TO 27P, 30P No. 2 ENGINE BULKHEAD 255 AND AUTO THROTTLE J/BOX, GROUP (Mod. 2481)	1	—		
	9865V7909	CABLE, (F68), GROUP (Mod. 2195)	1	—		
	3934V7909	CABLE, (F3934), GROUP (Mod. 2067)	1	—		
	3979V7909	CABLE, (F3979), GROUP (Mod. 2118)	1	—		
	3981V7909	CABLE, (F3981), (GROUP (Mod. 2118)	1	—		
	3982V7909	CABLE, (F3982), GROUP (Mod. 2118)	1	—		
	3983V7909	CABLE, (F2983), GROUP (Mod. 2118)	1	—		
	4016V7909	CABLE, (F4016), GROUP (Mod, 2118)	1	—		
	4017V7909	CABLE, (F4017), GROUP (Mod. 2118)	1	—		
	4040V7909	CABLE, (F4040), GROUP (Mod. 2180)	1	—		
	8718V7909	CABLE, (F101), GROUP (Mod. 1969)	1	—		
	8920V7909	CABLE, (F103), GROUP (Mod. 1969)	1	—		
	9038V7909	CABLE, (F67), GROUP (Mod. 1300)	1	—		
	9470V7909	CABLE, (F240), GROUP (Mod. 1583)	1	—		
	9471V7909	CABLE, (F2927), GROUP	1	—		
	9494V7909	CABLE, (F91), GROUP (Mod. 1744)	1	—		
	9503V7909	CABLE, (F3514), GROUP (Mod. 1800)	1	—		
	9504V7909	CABLE, (F3515), GROUP (Mod. 1800)	1	—		

VULCAN Mk. 2

ELECTRICAL INSTALLATION
NOSEWHEEL BAY

Page FM. 23

Ref. No.	Part No.	Description	No. off	Matl. Spec.	Cl. of St.	Plate and Illust'n No.
					M.R.	
17253	9530V7909	CABLE, (F204), GROUP (Mod. 1300)	1	—	B	
	9535V7909	CABLE, (F1176), GROUP (Mod. 1300)	1	—		
	9548V7909	CABLE, (F2985), GROUP (Mod. 1300)	1	—		
	9551V7909	CABLE, (F3479), GROUP (Mod. 1300)	1	—		
	9552V7909	CABLE, (F3480), GROUP (Mod. 1300)	1	—		
	9580V7909	CABLE, (F1688), GROUP	1	—		
	9582V7909	CABLE, GROUP (Pre-Mod. 2253)	1	—		
	9884V7909	CABLE, (F79), GROUP (Mod. 2253)	1	—		
	9594V7909	CABLE, (F65), GROUP (Mod. 1856)	1	—		
	9597V7909	CABLE, (F74), GROUP (Mod. 1856)	1	—		
	9599V7909	CABLE, (F70), GROUP (Mod. 1856)	1	—		
	9608V7909	CABLE, (F3145), GROUP (Mod. 1856)	1	—		
	9647V7909	CABLE, (F1131), GROUP (Mod. 1906)	1	—		
	9648V7909	CABLE, (F1137), GROUP (Mod. 1906)	1	—		
	9649V7909	CABLE, (F1138), GROUP (Mod. 1906)	1	—		
	9650V7909	CABLE, (F1133), GROUP (Mod. 1906)	1	—		
	9651V7909	CABLE, (F565), GROUP (Mod. 1906)	1	—		
	9652V7909	CABLE, (F568), GROUP (Mod. 1906)	1	—		
	9653V7909	CABLE, (F567), GROUP (Mod. 1906)	1	—		
	9654V7909	CABLE, (F566), GROUP (Mod. 1906)	1	—		
	9655V7909	CABLE, (F2627), GROUP (Mod. 1906)	1	—		
	9683V7909	CABLE, (F1688), GROUP	1	—		
	9690V7909	CABLE, (F100), GROUP (Mod. 1942)	1	—		
	9702V7909	CABLE, (F61), GROUP (Mod. 1976)	1	—		
	9745V7909	CABLE, (F527), GROUP (Pre-Mod. 2271)	1	—		
	9746V7909	CABLE, (F528), GROUP (Pre-Mod. 2271)	1	—		
9749V7909	CABLE, (F3222), GROUP (Mod. 2032)	1	—			
9750V7909	CABLE, (F3223), GROUP (Mod. 2032)	1	—			
9751V7909	CABLE, (F3224), GROUP (Mod. 2032)	1	—			

ELECTRICAL INSTALLATION

NOSEWHEEL BAY

Ref. No.	Part No.	Description	No. off	Matl. Spec.	Cl. of St.	Plate and Illust'n No.
					M.R.	
		1 2 3 4				
	9753V7909	CABLE, (F3227), GROUP (Mod. 2032)	1	—		
	9792V7909	CABLE, (F2783), GROUP (Mod. 2118)	1	—		
	9896V7909	CABLE, (F940), GROUP (Mod. 2283)	1	—		
	9897V7909	CABLE, (F933), GROUP (Mod. 2283)	1	—		
	9898V7909	CABLE, (F66), GROUP (Mod. 2283)	1	—		
	9899V7909	CABLE, (F66), GROUP (Mod. 2283)	1	—		
	9924V7909	CABLE, (F438), GROUP (Mod. 2271)	1	—		
	9925V7909	CABLE, (F109), GROUP (Mod. 2271)	1	—		
6A/4079	SMITHS CR42	Cable, Co-axial	2	—	A	
6A/4333593	SMITHS CR57	Cable, Co-axial	1	—	A	
6A/4085	SMITHS CR87	Cable, Co-axial	1	—	A	
5X/1116375	0003-038-000	Cap, dust for plug break 1245 (Mod. 2292) ...	1	—		
5X/1942392	0003-035-000	Cap, dust for plug break 1248 (Mod. 2292) ...	1	—		
5X/4683253	0003-033-000	Cap, dust for plug break 1246 (Mod. 2292) ...	1	—		
	PLESSEY					
5X/1017409	Z22164	Cap, plug sealing, size, "A"	2	—	A	
	PLESSEY					
5X/4491325	Z22166	Cap, plug sealing, size "B"	3	—	C	
	PLESSEY					
5X/4491326	Z22167	Cap, plug sealing, size "C"	2	—	C	
	CANNON					
	CA2322/6	Cap, plug sealing	5	—		
	CANNON					
	CA2322/8	Cap, plug sealing	4	—		
	CANNON					
	CA2322/9	Cap, plug sealing (Mod. 1217)	1	—		
5935-99- 9997860	CANNON					
	CA2322/10	Cap, plug sealing (Mod. 1174)	4	—	C	
	CANNON					
	CA2322/12	Cap, plug sealing	4	—		
	HELLERMANN					
	416125/10	Cap, protective (Mod. 2155)	1	—		
	AS8671/19	Capping, 19" long	4	—		
	AS8671/22	Capping, 22" long	2	—		
	AS8671/45	Capping, 45" long	8	—		FM1/19
	AS8671/48	Capping, 48" long	2	—		FM1/20
5UB/4357500	—	Changer, frequency	2	—	A	FM1/21
	10V9472	Clip, Spring	4	—	MR	
	10V/6353	Conduit, 3" o/d x 9' 3" long	1	—	MR	FM1/22
	15V6353	Conduit, 3" o/d x 2' 9" long	1	—	MR	FM1/23
	16V6353	Conduit, 3" o/d x 6' 3-1/2" long	1	—	MR	FM1/24
	26V6353	Conduit, 5/8" o/d x 36" long	2	—	MR	FM1/25
	27V6353	Conduit, 5/8" o/d x 14" long	2	—	MR	FM1/26
	32V6353	Conduit, 2-1/2" o/d x 2' 7" long	1	—	MR	
	9V8612	Conduit, 2" o/d x 2' 9" long	1	—	MR	FM1/27
	10V8612	Conduit, 2" o/d x 6' 3-1/2" long	1	—	MR	FM1/28
	9V9472	Conduit, 7/8" o/d x 20" long	2	—	MR	
5CW/4402888	—	Contacteur	2	—	A	FM2/29

ELECTRICAL INSTALLATION

NOSEWHEEL BAY

Ref. No.	Part No.	Description	No. off	Matl. Spec.	Cl. of	Plate and Illust'n No.
					St.	
		1 2 3 4				
		ELECTRICAL INSTALLATION IN NOSEWHEEL BAY (V9472 & V11301)				
5X/7310	HELLERMANN HC1290	Connector, inline	180	—	C	
5X/9709497	—	Connector, inline (Pre-Mod. 1744)	4	—	C	
7654	1V9230	CONTAINER, BATTERY, GROUP	1	—	B	FM2/30
		(Mod. 1297)				
		Spares for:—				
	1V9232	BASE, CONTAINER, GROUP	1	—		FM2/31
		Spares for:—				
7655	8V9232	Bolt, cranked	2	—	C	FM2/32
	8V8187	Plate, packing (Pre-Mod. 1297)	2	L72		
	10V9232	Plate, packing (Mod. 1297)	2	L72		
	WILMOT BREEDON					
	7/1405	Plate, hook (Pre-Mod. 1297)	2	—		
11607	9V9232	Plate, hook (Mod. 1297)	2	—	C	FM2/33
7659	1Z9646	BLANKETS, THERMAL BATTERY	1	—	C	FM2/34
		CONTAINER, GROUP				
		Consisting of:—				
	2Z9646	Blanket, 36" x 3"	1	—		
	3Z9646	Blanket, 66" x 12"	1	—		
11604	4V9230	Bracket, channel	1	—	C	FM2/35
11605	5V9230	Bracket, channel	1	—	C	FM2/36
	2V8186	Bracket, bottom hinge	2	DTD363A		
	WILMOT BREEDON					
26FP/1581	7/1285	Catch, throw over	2	—	C	FM2/37
10223	1V9231	COVER, CONTAINER, GROUP	1	—	C	FM2/38
	3V8186	Nut, knurled	2	—	MR	FM2/39
28FP/9469299	A409	Pin, pip, quick release (Mod. 1297)	2	—	C	
	8V9230	Plate, clamp (Mod. 1297)	2	S510	MR	FM2/40
10644	6V9472	Cover, contactor	2	Y227/T5	C	FM2/41
	7V9472	Cover, P.V.C.	2	P.V.C.	MR	FM1/42
5K/9712745	—	Cover, insulating	4	—	C	
5X/9402796	—	Cover, terminal block	1	—	C	
5X/9402795	—	Cover, terminal block	1	—	C	
5CX/4330015	—	Dome, glass	2	—	B	FM1/43
	19SS4623	Duct, cable, 19" long	4	—	MR	FM1/44
	22SS4623	Duct, cable, 22" long	2	—		
8518	45SS4623	Duct, cable, 45" long	8	—	C	FM1/45
	48SS4623	Duct, cable, 48" long	2	—	MR	FM1/46

ELECTRICAL INSTALLATION

NOSEWHEEL BAY

Ref. No.	Part No.	Description	No. off	Matl. Spec.	Cl. of St.	Plate and Illust'n No.	
					M.R.		
		1	2	3	4		
ELECTRICAL INSTALLATION IN NOSEWHEEL BAY (V9472 AND 6V11301) (Cont'd)							
	14V5884	Fairlead	2	BSS972		FM1/47	
	14V6353	Fairlead	1	BSS972			
	29V6353	Fairlead	1	BSS972			
	37V6353	Fairlead	1	BSS972			
	39V6353	Fairlead	1	BSS972		FM1/48	
5X/4491486	10V5650	Ferrule (Mod. 608) (Pre-Mod. 1744)	6	—	C		
5L/9953202	—	Filament, 28V, 15W	2	—	B		
5J/1057003	—	Fitting, battery connection	1	—	B	FM2/49	
FUSES IN NOSEWHEEL BAY, GROUP (2V9851)							
Spares for:—							
	ENG. ELEC.						
	AS2.5	Fuse, 2.5 amp., "S" type	31	—	C		
	AS5	Fuse, 5 amp., "S" type	37	—	C		
	AS7.5	Fuse, 7.5 amp., "S" type	11	—	C		
	AS10	Fuse, 10 amp., "S" type	21	—	C		
	AS15	Fuse, 15 amp., "S" type	11	—	C		
	AS20	Fuse, 20 amp., "S" type	8	—	C		
	BRUSH						
	30.11.T	Fuse, 30 amp., size 2	1	—	C		
	—	Fuse, 1 amp., size 1	1	—	C		
	40.1.T	Fuse, 40 amp., size 2	1	—	C		
	1V9543	FUSEHOLDERS No. 1 TANK, GROUP	1	—			
	—	(Pre-Mod. 1744)					
5CW/4222	—	Guard, switch	1	—	C		
10002	2V9472	LINK, PLUG, GROUP (Pre-Mod. 1744)	2	—	C		
1433321	34V8222	LINK, RECTIFIER, GROUP (Mod. 2118)	1	—	B	FM2/50	
		Spares for:—					
	34aV8222	Bus-bar (Copper)	1	—	C		
	34bV8222	Bus-bar (Copper)	1	—	C		
10CV/0372039	GJ5M	Rectifier	1	—	B	FM2/51	
1433320	14V8222	Mounting, angle	1	—	C	FM2/52	
	1V8608	MOUNTING BRACKET, 4 POLE RELAY	1	—		FM3/53	
		AND FUSE, GROUP					
		Spares for:—					
	E.L.E. CO. LTD. 2055B	Base, fuse 982	1	—		FM3/54	
	E.L.E. CO. LTD. 2054B	Base, fuse 983	1	—		FM3/55	
	2V8608	BRACKET, MOUNTING, GROUP	1	—		FM3/56	
		Spares for:—					
	337SS6003	Label, relay 337	1	L59			
	982SS6003	Label, fuse 982	1	L59			
	983SS6003	Label, fuse 983	1	L59			

ELECTRICAL INSTALLATION

NOSEWHEEL BAY

Ref. No.	Part No.	Description	No. off	Matl. Spec.	Cl. of St.	Plate and Illust'n No.
					M.R.	
		1 2 3 4				
		MOUNTING BRACKET, 4 POLE RELAY AND FUSE, GROUP (Cont'd.)				
	E.L.E. CO. LTD. AP19273	Carrier, fuse 983	1	—		FM3/57
	E.L.E. CO. LTD. AP19274	Carrier, fuse 982	1	—		FM3/58
5CW/4400161	PLESSEY 7CZ/105411/1	Relay, 4 pole	1	—	A	FM3/59
10CV/ 0372039	B.T.H. GJ5M	Rectifier, germanium	2	—	B	FM3/60
	1V6618	MOUNTING, N.D. MICRO SWITCH, GROUP ... Spares for:—	1	—		FM5/61
	6V6618	Bolt, pin	1	S96	MR	FM5/62
12835	2V6618	Bracket	1	—	C	FM5/63
	4V6618	Lever, hinged	1	L33	MR	FM5/64
	4V6640	Pin, striking	1	S80	MR	FM5/65
	HONEYWELL LTD.					
5CW/4400578	402.EN.N3	Switch, micro (Mod. 1906)	1	—	C	FM5/66
5CW/4742	C1831/Y	Unit, sequence switch (Pre-Mod. 1906)	1	—	B	FM5/67
		MOUNTING, FIRE DETECTOR, PORT	1	—		FM4/68
		(V6901) (Pre-Mod. 2271) (1Z12502) (Mod. 2271) Spares for:—				
	2V6901	BRACKET, MOUNTING, GROUP	1	—		FM4/69
4634	1V6897	MOUNTING, TRAY, GROUP	1	—	B	FM4/70
		(Pre-Mod. 2271) Spares for:—				
	4V6756	Bolt, wing	2	—	MR	FM4/71
10AJ/153	—	Mounting, anti-vibration	4	—	B	FM4/72
	5V6756	Nut, knurled	2	S1		FM4/73
	3Z12502	PLATE, MOUNTING, GROUP (Mod. 2271) ..	1	L72		
5CZ/4329775	TP5902	Unit, fire control (Pre-Mod. 2271)	1	—	A	FM4/74
5CZ/2206255	TP77020 Mk.4	Unit, fire control (Mod. 2271)	1	—	A	
5CZ/8998	TP77056	Unit, fire control (Mod. 2416)	4	—	A	
		MOUNTING FUEL FLOW METER, GROUP	—	—		FM4/75
		(V7397) Spares for:—				
	2V7379	BRACKET, MOUNTING, GROUP	1	—		FM4/76
6A/4333687	ELLIOT BROS. 3D122	Flowmeter, amplifier	1	—	A	FM4/77
6A/4333777	3B1031	Tray, mounting	1	—	B	FM4/78
	1V6798	MOUNTING, LAMP, GROUP	2	—		FM1/79
		Spares for:—				
5CX/4330014	—	Lamp	1	—	B	FM1/80

VULCAN Mk. 2

Page FM. 28

ELECTRICAL INSTALLATION

NOSEWHEEL BAY

Ref. No.	Part No.	Description	No. off	Matl. Spec.	Cl. of St.	Plate and Illust'n No.
					M.R.	
		1 2 3 4				
		ELECTRICAL INSTALLATION IN NOSEWHEEL (V9471 AND V11301) (Cont'd.)				
		MOUNTING, MICRO SWITCH, PORT AND STARBOARD (13 AND 14V6621)	—	—		FM5/81
	15V6621	Spares for:— Angle, attachment, port	1	L72		FM5/82
	16V6621	Angle, attachment, starboard	1	L72		FM5/83
22828	6V6621	BRACKET, PORT, GROUP	1	—		FM5/84
22829	7V6621	BRACKET, STARBOARD, GROUP	1	—		FM5/85
		Spares for:—				
	5V6106	Label	1	L59		FM5/86
22832	8V6621	Bearing	1	S1		FM5/87
	4V6640	Pin, striking	1	—	MR	FM5/87
	5V6621	Rocker	1	DTD683	MR	FM5/88
	11V6106	Roller	1	S1	MR	FM5/89
	HONEYWELL					
5CW/4400578	402.EN.N3	Switch, micro (Mod. 1906)	1	—	A	FM5/90
5CW/4742	C1831Y MK1	Unit, sequence switch (Pre-Mod. 1906)	1	—	A	FM5/91
		MOUNTING, FUEL CONTENTS GAUGE, AND AMPLIFIER, No. 2 TANK, PORT AND STARBOARD (19V AND 20V6170) (Mod. 2283)				
		Spares for:—				
6A/1141864	SMITHS KA5	Amplifier, bridge type 7	1	—	A	FM5/92
1510504	5V16111	BRACKET, MOUNTING, PORT	1	—	C	FM3/93
1510505	4V16111	BRACKET, MOUNTING, STARBOARD	1	—	C	
5X/6200370	1V5650	Block, connector	2	—	C	FM3/94
	SMITHS					
6A/1142873	KC2	Box, cable	1	—	A	FM3/95
	5V6170	Channel, forward, port	1	DTD670A		
	6V6170	Channel, forward, starboard	1	DTD670A		
	7V6170	Channel, aft, port	1	DTD670A		
	8V6170	Channel, aft, starboard	1	DTD670A		
5X/4491488	15V5650	Socket, single	2	—	C	FM3/96
		MOUNTING, PANEL 7J (V8597)	—	—		
		Spares for:—				
	4V7371	BOX, JUNCTION, 7J, GROUP	1	—		FM5/97
		Spares for:—				
5X/6200370	1V5650	Block, terminal	3	—	C	FM5/98
	5V7372	BOX, LESS WIRING, GROUP	1	—		
		Spares for:—				
4625	2V7371	COVER, GROUP	1	—	C	FM5/99
		Spares for:—				
28FP/9144248	A4/25	Fastener, Dzus	6	—	C	
28FP/9430915	GA4/250	Grommet	6	—	C	

VULCAN Mk. 2

ELECTRICAL INSTALLATION

Page FM 29

NOSEWHEEL BAY

Ref. No.	Part No.	Description	No. off	Matl. Spec.	Cl. of St.	Plate and Illust'n No.
					M.R.	
		1 2 3 4				
		MOUNTING PANEL 7J (V8597) (Cont'd)				
	1V7363	LOOM, CABLE, GROUP	1			
5X/4491487	14V5650	Socket, double	4	—	C	FM5/100
5X/4491488	15V5650	Socket, single	1	—	C	FM5/101
	N.S.F.					
5CW/4400157	LX/S/11218/DM4	Switch, "Ledex"	1	—	B	FM5/202
		MOUNTING PANELS 63P AND 73P (1V9447)				
		Spares for:—				
	1V9135	PANEL, STARTER, RELAY, 73P, GROUP	1	—		FM5/103
		Spares for:—				
5X/6200370	1V5650	Block, terminal	2	—	C	FM5/104
5X/4491769	1V7870	Block, earthing	1	—	C	FM5/105
7651	3V9135	COVER, 73P, GROUP	1	—	C	FM5/106
		Spares for:—				
28FP/9144248	A4/25	Fastener, dzus	6	—	C	
28FP/9430915	GA4/250	Grommet	6	—	C	
	1V11416	LOOM, CABLE, GROUP (Pre Mod. 2418)	1			
	1V18703	LOOM, CABLE, GROUP (Mod. 2418)	1	—		
	2V9135	PANEL, LESS WIRING, GROUP	1	—		
	PLESSEY					
5CW/4400161	7CZ/105411/2	Relay, type CH/4CO/28/10	10	—	B	FM5/107
	7CZ/103739/1	Relay, type CH/2CO/28/10 (Mod. 2418)	1	—		FM5/107A
	BERCO					
5CZ/6229	K1-VGH	Resistor	1	—	B	FM5/108
	B.T.H.					
10CV/0372039	GJ5M	Rectifier (1 off added - Mod. 2418)	5	—	B	FM5/109
5X/4491487	14V5650	Socket, double	2	—	C	FM5/110
5X/4491488	15V5650	Socket, single	8	—	C	FM5/111
28FP/9430916	S4/200	Spring, dzus	6	—	C	
		PANEL, JUNCTION BOX, 63P (1V8436)				
		(Mod. 2253) (10V8436) (Mod. 2253)				
		Spares for:—				
5X/6200370	1V5650	Block, terminal	16	—	C	FM3/113
5X/4491769	1V7870	Block, earthing	1	—	C	FM3/114
5X/4491775	1V7871	Block, terminal	1	—	C	FM3/115
	WARD-BROOKE					
5CZ/4663621	WB1118/S/4	Block, terminal (Mod. 2253)	1	—	C	
5CZ/4663620	WB1118/S/2	Block, terminal (Mod. 2254)	1	—	C	
5CZ/8781	WB1118/B/9	Cover, terminal block (Mod. 2253)	1	—	C	
5CZ/4663271	WB1118/B/2	Cover, terminal block (Mod. 2254)	1	—	C	
10C/0120138		Capacitor, pellet type	4	—	C	FM3/116
	6V8436	COVER, PANEL, GROUP	1	—		FM3/117
		Spares for:—				
28FP/9542167	A5/30	Fastener, dzus	4	—	C	
28FP/9425771	GA5/312	Grommet, dzus	4	—	C	
	5V8436	Fairlead	2	BSS972		

ELECTRICAL INSTALLATION
NOSEWHEEL BAY

Ref. No.	Part No.	Description	No. off	Matl. Spec.	Cl. of	Plate and Illust'n No.
					St. M.R.	
		1 2 3 4				
		PANEL, JUNCTION BOX 63P (1V8436) (10V5436) (Cont'd)				
	2160V7728	Label, TB. (Mod. 2253)	1	—		
	1V11373	LOOM, CABLE, GROUP	1	—		
11602	8V8436	MOUNTING, RESISTOR, GROUP	1	—	B	FM3/118
		Spares for:—				
5CZ/4337488	BERCO CLW6	Resistor, 33 ohms.	1	—	B	FM3/119
	1V8437	PANEL, LESS INSTRUMENT, GROUP ...	1	—		FM3/120
		Spares for:—				
28FP/1201748	S5/200 B.T.H.	Spring, dzus	4	—	C	
10CV/0372039	GJ5M	Rectifier	1	—	B	FM3/121
5X/4491487	14V5650	Socket, double	2	—	C	FM3/122
5X/4491488	15V5650	Socket, single	35	—	C	
5X/4491779	5V7871	Socket, single	3	—	C	FM3/123
5UB/4342717	—	Outlet, air	2	—	A	FM1/124
5CZ/4379230	—	Panel, control	2	—	A	FM1/125
		PANEL, JUNCTION BOX 64P (2V8436) (Mod. 1271)				FM3/126
		Spares for:—				
10C/0120138	—	Capacitor, pellet type	4	—	C	FM3/127
7652	7V8436	COVER, 64P, GROUP	1	—	C	FM3/128
		Spares for:—				
28FP/9452167	A5/30	Fastener, dzus	4	—	C	
28FP/9425771	GA5/312	Grommet, dzus	4	—	C	
	5V8436	Fairlead, half	2	BSS972		
	1V11374	LOOM, CABLE, GROUP	1	—		
11602	8V8436	MOUNTING, RESISTOR, GROUP	1	—	B	FM3/129
		Spares for:—				
5CZ/4337488	BERCO CLW6	Resistor, 33 ohms.	1	—	B	FM3/130
	4V8436	PANEL, LESS WIRING, GROUP	1	—		
		Spares for:—				
5X/6200370	1V5650	Block, terminal	16	—	C	FM3/31
5X/4491769	1V7870	Block	1	—	C	FM3/132
5X/4491775	1V7871	Block, terminal	1	—	C	FM3/133
	B.T.H.					
10CV/0372039	GJ5M	Rectifier	1	—	B	FM3/134
5X/4491488	15V5650	Socket, single	23	—	C	
5X/4491779	5V7871	Socket, single	3	—	C	FM3/135
		PANEL, 28V D.C. VITAL SUPPLY, 19P				FM4/136
		(1V8024) (Mod. 1424)				
		Spares for:—				
5X/4500052	—	Block, fuse type "S", 12-way	4	—	C	FM4/137
5X/6200370	1V5650	Block, terminal	1	—	C	FM4/138

VULCAN Mk. 2

ELECTRICAL INSTALLATION

Page FM. 31

NOSEWHEEL BAY

Ref. No.	Part No.	Description	No. off	Matl. Spec.	Cl. of St.	Plate and Illust'n No.	
					M.R.		
		1	2	3	4		
		PANEL 28V D.C. VITAL SUPPLY, 19P (1V8024) (Mod. 1424) (Cont'd)					
5X/4491775	1V7871	Block, terminal	1	—	C	FM4/139	
5X/4491769	1V7870	Block, earthing	1	—	C	FM4/140	
	21V8493	BLOCK, TERMINAL, GROUP	1	—	MR	FM4/141	
	12V8493	Spares for:— Block, terminal	1	—		FM4/142	
	19V8024	Bolt, special, 5/16" (may be made from 48.SS.1375)	1	Brass			
	5V8024	Bus-Bar	1	BSS899			
	15V8024	Bus-Bar	2	—			
	17V8024	Bus-Bar	1	—			
11835	21V8024	Bus-Bar	1	BSS899	C	FM4/143	
11836	22V8024	Bus-Bar	1	BSS879	C	FM4/144	
	27V8024	Bus-bar	1	BSS879	MR	FM4/145	
5CY/5542	ROTAX D6684	Contactor	1	—	A	FM4/143	
5CY/4376487	ROTAX D6548	Contactor, inner	1	—	A	FM4/147	
5CY/4520	—	Cover, circuit breaker	26	—	C		
11653	28V8024	COVER, 19P, GROUP	1	—	C	FM4/148	
		Spares for:—					
28FP/9425770	AJ5/35	Fastener, dzus	10	—	C		
28FP/9425771	GA5/312	Grommet, dzus	10	—	C		
	1V11767	Label	1	—			
5CY/5311	B.T.H. LGA12/B1/1	Circuit, breaker, 12 amp.	9	—	A	FM4/149	
5CY/4376481	B.T.H. LGA24/B1/1	Circuit, breaker, 24 amp.	6	—	A	FM4/150	
5CY/4376489	B.T.H. LGA35/B1	Circuit, breaker, 35 amp.	11	—	A	FM4/151	
	11V8024	Fairlead	1	BSS668			
	14V7357	Fuseholder	2	—	MR	FM4/152	
10H/23925	BRUSH 125.111.T	Fuse, 125 amp.	2	—	C		
or							
10H/9002887	—	Fuse, 30 amp.	2	—	C		
10H/0590125	—	Link, commoning, 2 way	1	—	C		
5X/4500058	—	Link, commoning, 3 way	1	—	C		
5X/1059339	—	Link, commoning, 4 way	1	—	C		
5X/1059338	—	Link, commoning, 6 way	1	—	C		
5X/4500062	—	Link, commoning, 9 way	1	—	C		
5X/4048	—	Link, commoning, 10 way	1	—	C		
5X/4500065	—	Link, commoning, 12 way	1	—	C		
5X/1059340	—						
	1V12870	LOOM, CABLE, GROUP (Mod. 1709)	1	—			
	1V8025	PANEL, C/W LABELS, GROUP	1	—			

ELECTRICAL INSTALLATION

NOSEWHEEL BAY

Ref. No.	Part No.	Description	No. off	Matl. Spec.	Cl. of	Plate and Illust'n No.
					St. M.R.	
		1 2 3 4				
		PANEL, 28V D.C. VITAL SUPPLY 19P (1V8024) (Mod. 1424) (Cont'd)				
	7V8024	PILLAR-BUS-BAR, GROUP	5	—		FM4/153
11833	25V8024	PILLAR, FUSEBLOCK, GROUP	1	—	C	FM4/154
11839	26V8024	PILLAR, FUSEBLOCK, GROUP	3	—	C	FM4/155
		Spares for:—				
	5cV5832	Stud	1	—	MR	FM4/156
	106V8024	Stud, for 25V8024 only	1	—		
	FERRANTI ZR32/C	Rectifier	2	—	B	FM4/157
5X/4500053	—	Socket, cable (Mod. 1271)	3	—	C	
5X/4491487	14V5650	Socket, double	1	—	C	FM4/158
5X/4491488	15V5650	Socket, single	1	—	C	
5X/4491779	5V7871	Socket, single	3	—	C	FM4/159
	4V8024	Strip, connector	2	—		
		PANEL, 28V D.C. DISTRIBUTION, 15P AND 16P (1 AND 2V9421) (Mod. 1320)				FM6/160
		Spares for:—				
5X/4500057	—	Block, fuse, 12 way	3	—	C	FM6/161
5X/6200370	1V5650	Block, terminal	6	—	C	FM6/162
5X/4491769	1V7870	Block, earthing	1	—	C	FM6/163
	26V9421	Bolt, special	2	S94		
	9V9921	Bolt, special (Made from A25/3E)	2	—		
	10V9421	Bolt, special (Made from A25/3C)	1	—		
	15V9421	Bolt, special, at 15P	1	—		
	14V9421	Bolt, special, at 16P	1	—		
	17V9421	Bracket, bus-bar	1	BSS2966 Type 3A		FM6/164
	7V9421	Bus-Bar	1	BSS899		FM6/165
	12V9421	Bus-Bar	1	BSS899		FM6/166
	13V9421	Bus-Bar, at 16P	1	BSS899		FM6/167
	19V9421	Bus-Bar	1	BSS899		FM6/168
	20V9421	Bus-Bar, at 16P	1	BSS899		FM6/169
	24V9421	Bus-Bar, at 15P	1	BSS899		FM6/170
	29V9421	Bus-Bar (Mod. 1843)	1	BSS899		FM6/171
7643	INSULOID No. 1	Cap, insuloid	2	—	C	FM6/172
	B.T.H.					
5CY/4376481	LGA24/B1	Circuit, breaker, 24 amp.	3	—	A	FM6/173
	B.T.H.					
5CY/4376489	LGA35/B1	Circuit, breaker, 35 amp.	8	—	A	FM6/174
	ROTAX					
5CY/5542	D6684	Contact, breaker (Mod. 1271)	1	—	A	FM6/175
	ROTAX					
5CY/4376080	D6544 OR	Contact, breaker, at 15P	1	—	A	FM6/176
	ROTAX					
5CY/4376081	D6545	Contact, breaker	1	—	A	FM6/177
	14V8026	Connector, strip, 6 way	1	—		FM6/178
	15V8026	Connector, strip, 5 way	1	—		FM6/179
	18V9421	Connector	4	—		FM6/180
	21V9421	Connector	1	—		FM6/181
	22V9421	Connector	1	—		FM6/182

VULCAN Mk. 2

ELECTRICAL INSTALLATION

Page FM. 33

NOSEWHEEL BAY

Ref. No.	Part No.	Description	No. off	Matl. Spec.	Cl. of St.	Plate and Illust'n No.
					M.R.	
		1 2 3 4				
		PANEL, 28V. D.C. DISTRIBUTION, 15P AND 16P (1 AND 2V9421) (Mod. 1320) (Cont'd)				
5CY/4520	—	Cover, circuit, breaker	11	—	C	FM6/183
	5V9421	COVER, 15P, GROUP	1	—	MR	FM6/184
8191	6V9421	COVER, 16P, GROUP	1	—	C	FM6/185
28FP/9542167	A5/30	Spares for:—				
28FP/9425777	GA5/312	Fastener, dzus	6	—	C	
	ROTAX	Grommet, dzus	6	—	C	
5CY/4376083	F2203/2	Cut-out, differential	1	—	A	
	8V/9421	Fairlead, half, at 16P	2	BSS2966		FM6/186
	16V9421	Fairlead, half	2	BSS2966		
	25V9421	Fairlead, half, at 15P	2	BSS2966		
	32V9421	Fairlead, half, at 15P	2	—		
	14V7357	Fuse, holder, at 16P (Mod. 2007)	1	—	MR	FM6/187
	BRUSH					
10H/23929	60-111-T	Fuse, 60 amp., at 16P	2	—	C	
	BRUSH					
10H/24210	150.111.T	Fuse, 150 amp., at 16P	1	—	C	
5X/1059339	—	Link, commoning, at 15P	1	—	C	
5X/4500064	—	Link, commoning, at 15P	1	—	C	
5X/4500066	—	Link, commoning, at 15P (Mod. 1843)	1	—	C	
5X/1059340	—	Link, commoning, 12 way	3	—	C	
	1V9729	LOOM, CABLE, GROUP (Pre-Mod. 748)	1	—		
	1V11594	LOOM, CABLE, 15P, GROUP	1	—		
		(Pre-Mod. 2255)				
	1V15489	LOOM, CABLE, 15P, GROUP (Mod. 2255) ...	1	—		
	1V15641	LOOM, CABLE, 16P, GROUP	1	—		
		(Pre-Mod. 2255)				
	1V15642	LOOM, CABLE, 16P, GROUP	1	—		
		(Pre-Mod. 2255)				
	1V18806	LOOM, CABLE, 16P, GROUP	1	—		
		(Mod. 2436) (Blue Steel A/C only)				
	1V18807	LOOM, CABLE, 16P, GROUP	1	—		
		(Mod. 2436)				
	11V9421	Mounting, fuse, at 16P	2	—		FM6/188
	23V9421	Mounting, fuse, at 16P	1	—		FM6/189
	2V13381	Mounting, fuse block, at 16P (Mod. 2007) ...	1	—		FM6/190
	1V9422	PANEL, C/W LABELS, 15P, GROUP	1	—		FM6/191
13623	2V9422	PANEL, C/W LABELS, 16P, GROUP	1	—	C	FM6/192

ELECTRICAL INSTALLATION

NOSEWHEEL BAY

Ref. No.	Part No.	Description	No. off	Matl. Spec.	Cl. of St.	Plate and Illust'n No.
					M.R.	
		1 2 3 4				
		ELECTRICAL INSTALLATION IN NOSEWHEEL BAY (V9472 AND V11301) (Cont'd)				
10CV/0372039	B.T.H. GJ5/M	Rectifier	1	—	B	FM6/193
5X/4491487	14V5650	Socket, double, at 15P	1	—	C	FM6/194
5X/4491488	15V5650	Socket, single	32	—	C	
5X/4500053	—	Socket, terminal	39	—	C	
	—	Socket, battery test, at 16P	1	—		FM6/195
	15SS4624	Plate, fixing, upper	1	—		FM2/196
	4SS4625	Plate, fixing, lower	1	—		FM2/197
5UB/4395948	—	Rectifier, transformer (with Blue Steel)	2	—	A	FM1/198
5UC/4395968	—	Rectifier, transformer (without Blue Steel)	2	—		FM1/199
5CW/1050498	7CZ/97225/1	Relay, type AH/1M/28/30	2	—	A	FM2/200
	—					
5CW/4405094	ROTAX D6311	Relay, type 5Y, No. 2	1	—	A	FM1/201
5CZ/4340007	GRAVINER D1740	Relay, box, single way (Pre-Mod. 1842)	3	—	A	FM1/202
5CW/4400162	PLESSEY 7CZ/103739	Relay, type 2PDT	15	—	C	FM1/200 FM2/200
	—					
5CW/4400161	PLESSEY 7CZ/105411/1	Relay, type 4 PDT	4	—	A	FM1/204
1433876	1V12971	RESISTANCE, SHUNT, GROUP (Mod. 2195) ..	1	—		
		Spares for:—				
	3V6647	Link, connection	1	—		
1433877	2V12971	Resistor	1	—		
	—					
5CW/4405758	ROTAX N136930	Shroud, hydraulic power pack switch	1	—	C	FM2/205
	C.10770/300	Shunt (Mod. 2195)	2	—		
	—					
	HELLERMANN NL8140	Sleeve, insulating	180	—		
5X/9994577	—	Socket, single, 19 amp.	5	—	C	
5X/4491488	15V5650	Socket, single	30	—	C	
5CW/4407828	—	Switch, hydraulic power pack	1	—	A	FM2/206
	1SS4052	Terminal, earth (Mod. 915)	1	—	MR	FM1/207
	1SS4088	Terminal, earth	3	—	MR	FM1/208
5UB/9487206	—	Transformer	1	—	A	FM1/209
5UC/4375145	—	Unit, frequency pick-up	2	—	A	FM1/210
5UC/4379231	—	Unit, rectifier	2	—	A	FM1/211
	—					
5CZ/4340007	GRAVINER 162D	Unit, control (Mod. 1842)	3	—	A	FM2/212
5CZ/4329775	TP5902	Unit, fire control (Mod. 2067) (Pre-Mod. 2271)	1	—	A	FM2/213
5CZ/2206255	TP77020	Unit, fire control, Mk. 4 (Mod. 2271)	4	—	A	
	—	(Pre-Mod. 2367)				
5CZ/6282266	TP77051	Unit, fire control (Mod. 2367)	4	—	A	
	OR					
5CZ/6282265	TP77052	Unit, fire control (Mod. 2367)	4	—	A	
—	100V9472	Plate, Mounting, amplifiers (Mod. 2283)	1	—		FM2/8

VULCAN Mk. 2

**ELECTRICAL INSTALLATION
SUMMARY OF STANDARD ITEMS**

Stores Ref.		No. off	Stores Ref.		No. off	Stores Ref.		No. off
Section	Ref. No.		Section	Ref. No.		Section	Ref. No.	
28D	1008147	3	28M	5238	8	28S	1200047	11
28D	1007971	12	28M	1010995	2	28S	9436921	15
28D	1010658	74	28M	1010997	3	28S	9419411	14
28D	1008149	22	28M	1007704	9	28S	1007753	2
28D	9419452	8	28M	1006504	20	28S	9446549	2
28D	1011006	4	28M	1006473	4	28S	1009109	66
28D	1011013	7	28M	1011470	6	28S	1006948	2
28D	1007972	8	28M	9129528	15	28S	1200081	4
28D	9436920	46	28M	9416046	5	28S	1012450	8
28D	9133011	54	28M	9416947	1	28S	1008327	4
28D	9133012	13	28M	10286	8	28S	1007443	4
28D	1200119	19	28M	1278189	11	28S	9995329	52
28D	9133013	6	28M	1279190	36	28S	1007469	4
28D	7002428	4	28M	10275	5	28S	9435715	4
28D	9140644	2	28M	10290	2	28S	9992519	1
28D	9140645	9	28M	10326	22	28S	9997425	44
28D	9133014	6	28M	10327	198	28S	9464989	2
28D	9140647	4	28M	10309	4			
28D	9453970	4	28M	9433473	137			
28D	1011030	4	28M	7002430	27	28W	9419446	33
28D	1011240	8	28M	7002431	12	28W	9419401	350
28D	1011244	8	28M	9435559	72	28W	9419454	274
28D	7002426	2	28M	9434253	16	28W	9418920	42
28D	1007285	32	28M	11957	20	28W	9419455	1
28D	1007973	4	28M	9434251	14	28W	9419464	7
28D	9130080	6	28M	9435067	5	28W	9419465	122
28D	1007975	16	28M	9434252	4	28W	9419402	25
28D	9137409	9	28M	13774	8	28W	9418921	2
28D	9140203	4	28M	9144673	4	28W	9419403	13
28D	1007979	30				28W	9419473	8
28D	1215081	1				28W	9419475	40
28D	1007981	6	28P	19227	5	28W	9419405	2
28D	1013284	12	28P	1007781	2	28W	9419486	16
						28W	9419404	10
28FP	9144248	6	28S	9419436	52	28W	9419487	5
28FP	9542167	20	28S	1200049	38	28W	1200073	1
28FP	9425770	4	28S	1200044	83	28W	1200071	4
28FP	9430915	6	28S	9419437	21	28W	1009752	24
28FP	9425771	20	28S	1200043	2	28W	9416643	3
28FP	1200136	4	28S	1008152	4	28W	9416644	9
28FP	1201748	8	28S	9435712	14	28W	9416645	9
28FP	9469299	2	28S	1201448	8	28W	9128188	2
			28S	9419435	119	28W	7002438	1
			28S	9419453	18	28W	1009149	2
			28S	1200034	39	28W	9459071	1
			28S	1200036	90	28W	1206041	208
			28S	1200040	41	28W	1006945	5
			28S	1200033	8	28W	1010187	1
			28S	9435912	2			
			28S	9131095	6			
			28S	9997545	35			
			28S	9435713	47			

ELECTRICAL INSTALLATION
NOSE WHEEL BAY

RESTRICTED

RESTRICTED

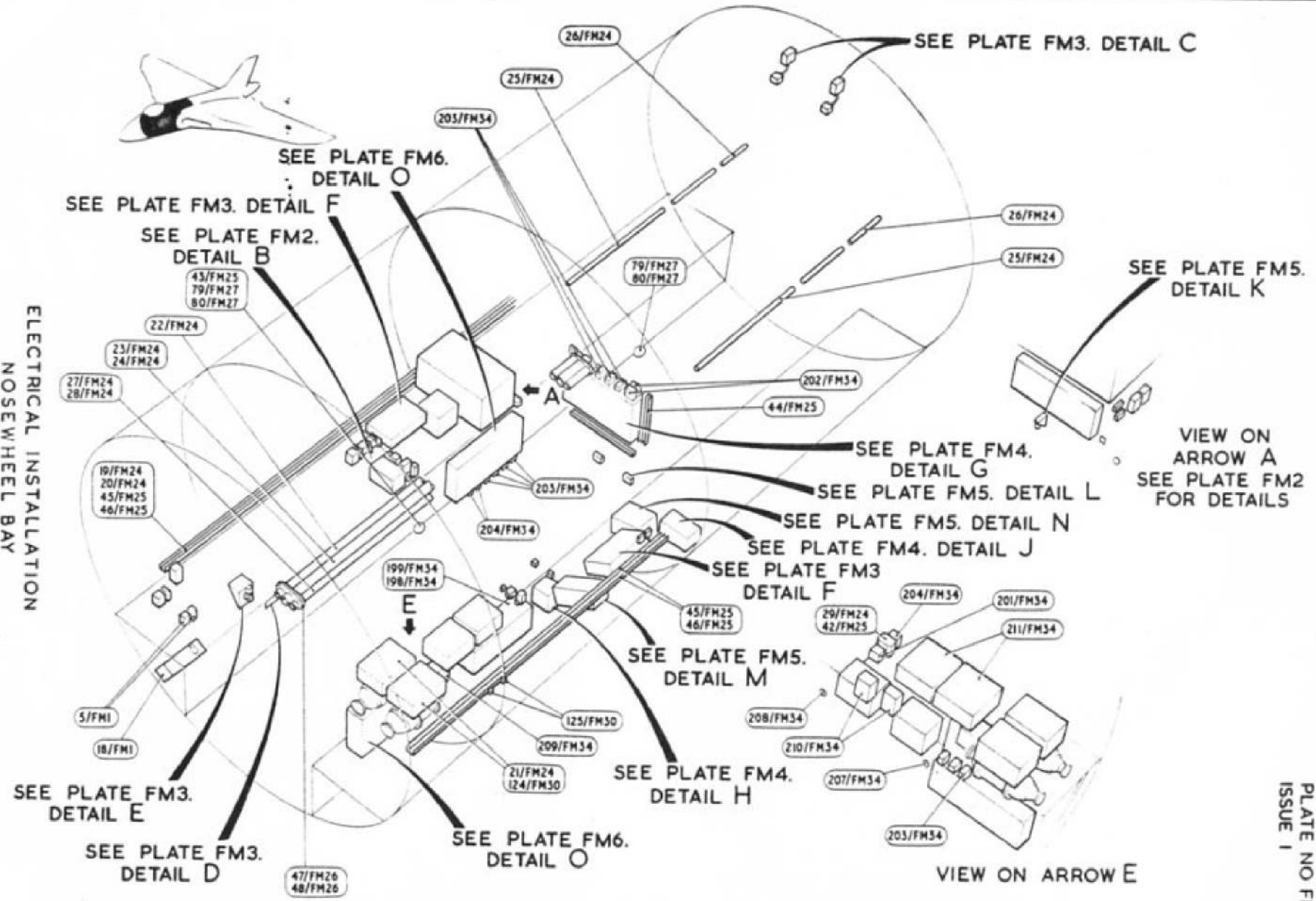
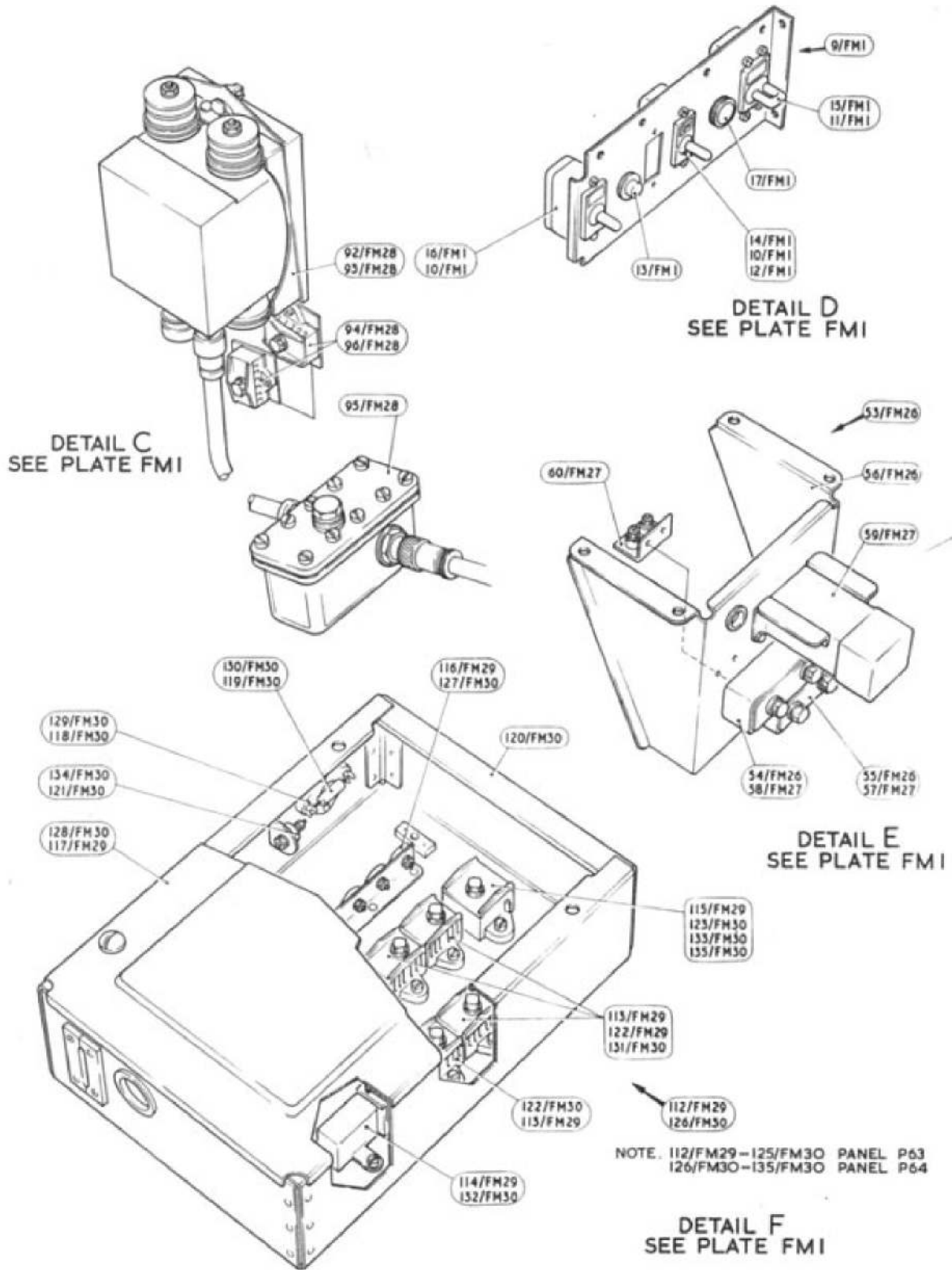
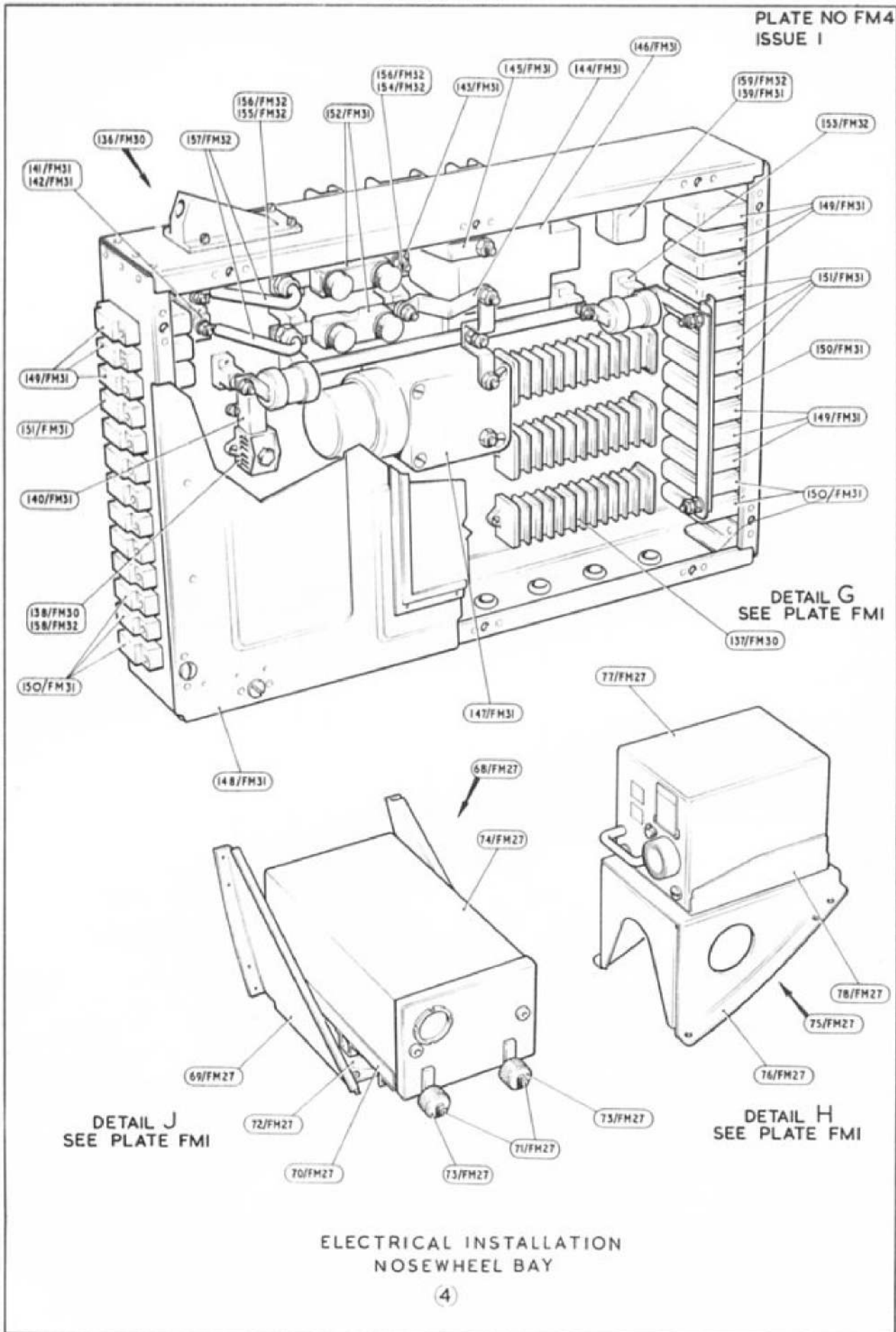
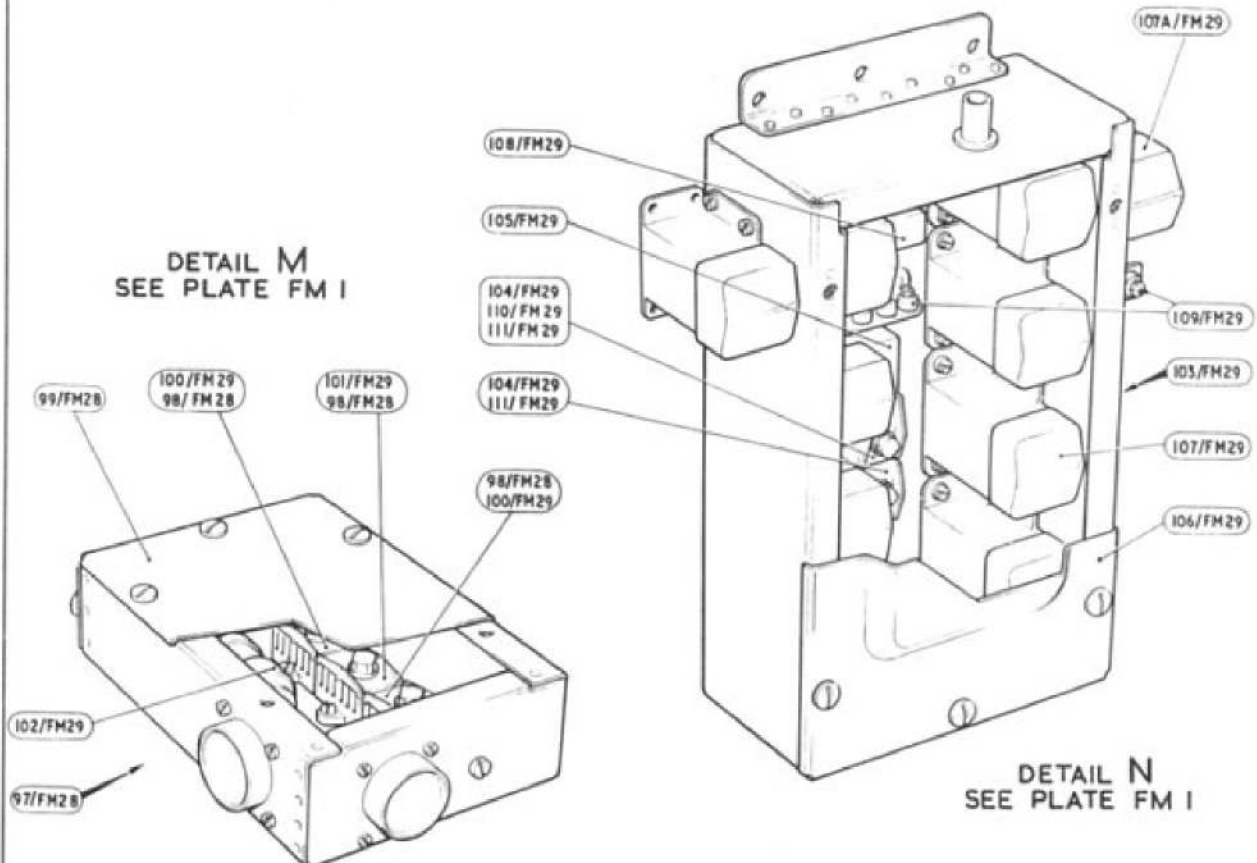
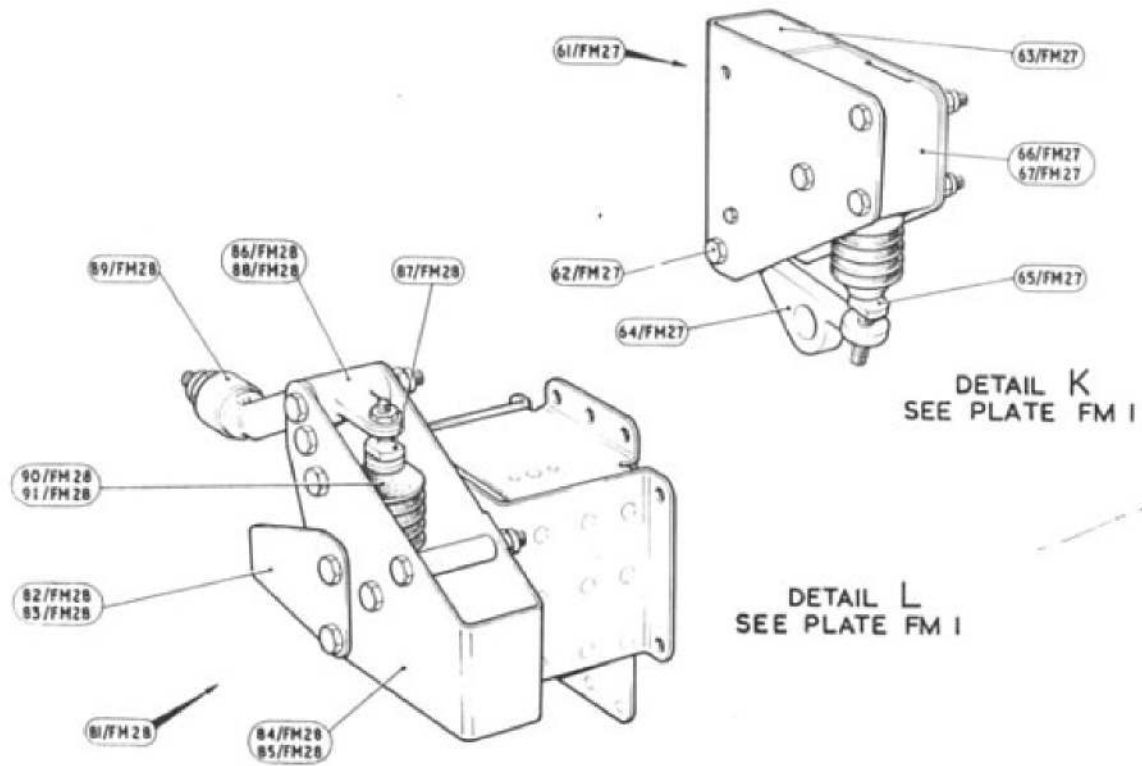


PLATE NO FM1
ISSUE 1

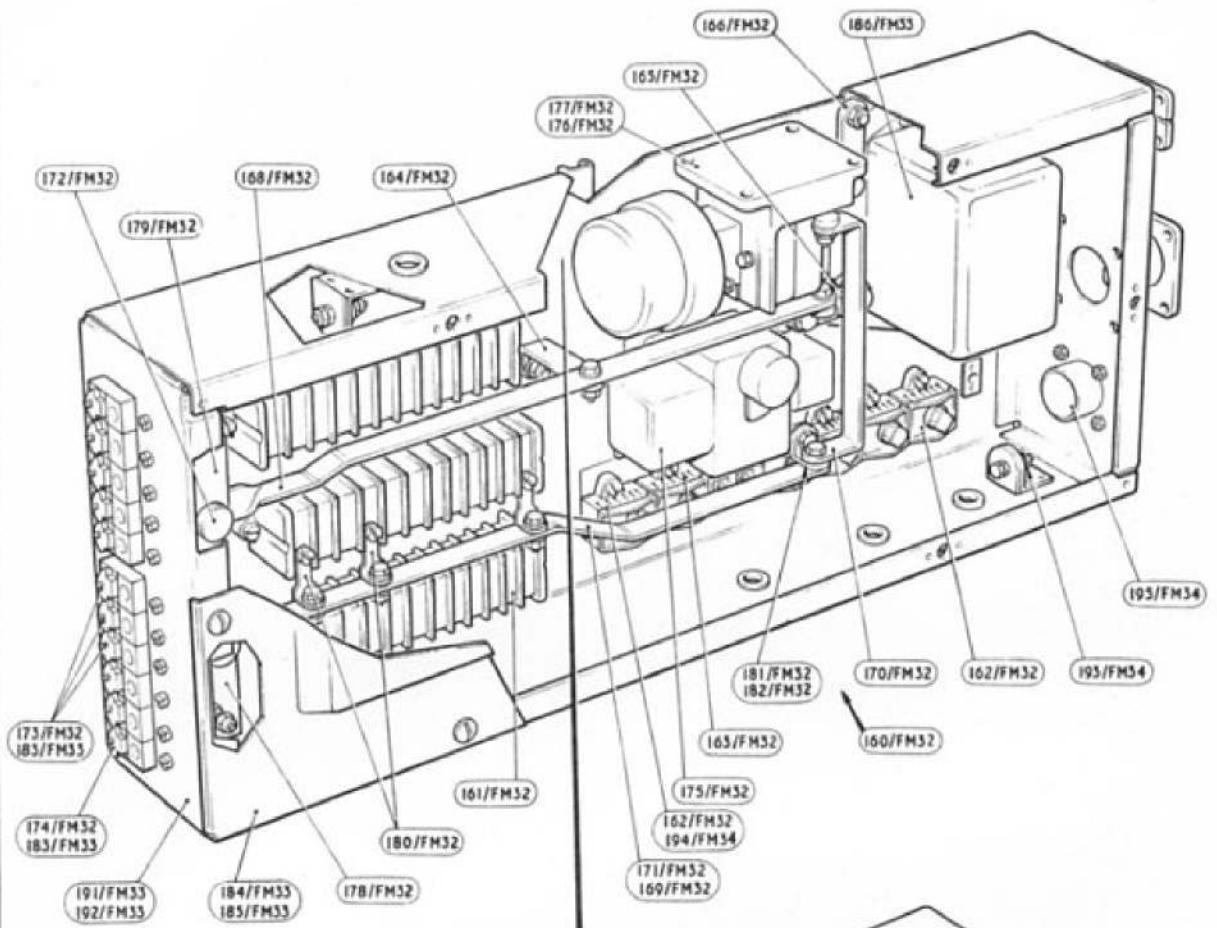


ELECTRICAL INSTALLATION
NOSEWHEEL BAY

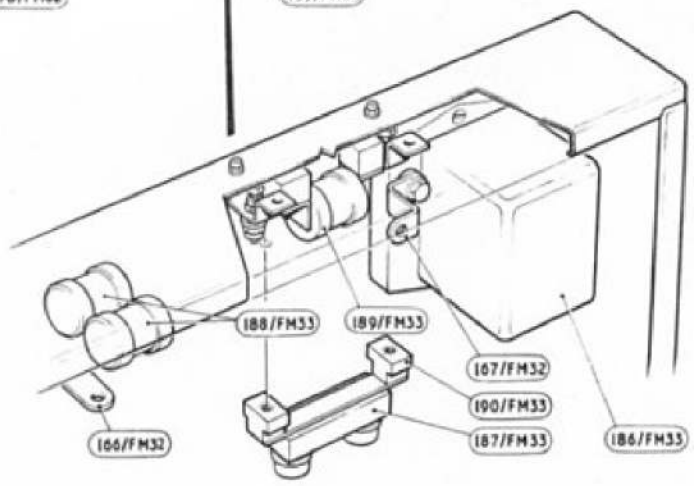




ELECTRICAL INSTALLATION
NOSEWHEEL BAY



DETAIL O
PANELS 15P & 16P
SEE PLATE FM 1



PANEL 16P ONLY

ELECTRICAL INSTALLATION
NOSEWHEEL BAY



This file was downloaded
from the RTFM Library.

Link: www.scottbouch.com/rtfm

Please see site for usage terms,
and more aircraft documents.