

VULCAN Mk. 2

ELECTRICAL INSTALLATION
POWER COMPARTMENT

Page FN. 1

Ref. No.	Part No.	Description	No. off	Matl. Spec.	Cl. of St.	Plate and Illust'n No.
					M.R.	
		1 2 3 4				
5X/6200370		ELECTRICAL INSTALLATION IN POWER COMPARTMENT (V9488) (Pre- Mod. 1174) (V11150) (Mod. 1174) Spares for :—				
	1V5650	Block, terminal	14	—	C MR	FN1/1 FN3/2
	1V6691	Block, terminal	4	—		
	1V9562	BOX, JUNCTION, 82P, GROUP ... (For spares, see equipment, A/C., instrument panels)	1	—		FN3/3
	15V9488	BRACKET, LAMP, GROUP	3	—		
	559V7909	CABLE, (F559), TB. 775 TO TB. 777, GRP.	1	—		
	576V7909	CABLE, (F576), 40P TO 26P, GROUP ...	1	—		
	578V7909	CABLE, (F578), 40P TO 58P, GROUP ...	1	—		
	579V7909	CABLE, (F579), 40P TO 58P, GROUP ...	1	—		
	580V7909	CABLE, (F580), 40P, TO 58P GROUP ...	1	—		
	581V7909	CABLE, (F581), 40P TO 58P, GROUP ...	1	—		
	582V7909	CABLE, (F582), 40P TO 58P, GROUP ...	1	—		
	584V7909	CABLE, (F584), TRANSPORT BREAK 37 TO 40P, GROUP (Mod. 1174)	1	—		
	586V7909	CABLE, (F586), TRANSPORT BREAK 38 TO 40P, GROUP (Mod. 1174)	1	—		
	588V7909	CABLE, (F588), TRANSPORT BREAK 40 TO 40P, GROUP (Mod. 1174)	1	—		
	589V7909	CABLE, (F589), TRANSPORT BREAK 42 TP 40P, GROUP	1	—		
	592V7909	CABLE, (F592), 40P TO 59P, GROUP ...	1	—		
	593V7909	CABLE, (F593), 40P TO 59P, GROUP ...	1	—		
	594V7909	CABLE, (F594), 40P TO 59P, GROUP ...	1	—		
595V7909	CABLE, (F595), 40P TO 59P, GROUP ...	1	—			

**ELECTRICAL INSTALLATION
POWER COMPARTMENT**

Ref. No.	Part No.	Description	No. off	Matl. Spec.	Cl. of St.	Plate and Illust'n No.
					M.R.	
		1 2 3 4				
	600V7909	CABLE, (F600), TB. 108 TO EARTH, GRP.	1	—		
	604V7909	CABLE, (F604), 60P TO 41P, GROUP ...	1	—		
	605V7909	CABLE, (F605), 60P TO 41P, GROUP ...	1	—		
	606V7909	CABLE, (F606), 60P TO 41P, GROUP ...	1	—		
	607V7909	CABLE, (F607), 60P TO 41P, GROUP ...	1	—		
	609V7909	CABLE, (F609), TRANSPORT BREAK 46 TO 41P, GROUP (Mod. 1174)	1	—		
	611V7909	CABLE, (F611), TRANSPORT BREAK 49 TO 41P, GROUP (Mod. 1174)	1	—		
	613V7909	CABLE, (F613), TRANSPORT BREAK 52 TO 41P, GROUP	1	—		
	614V7909	CABLE, (F614), TB. 114 TO EARTH, GRP.	1	—		
	616V7909	CABLE, (F616), 41P TO 61P, GROUP ...	1	—		
	617V7909	CABLE, (F617), 41P TO 61P, GROUP ...	1	—		
	618V7909	CABLE, (F618), 41P TO 61P, GROUP ...	1	—		
	619V7909	CABLE, (F619), 41P TO 61P, GROUP ...	1	—		
	620V7909	CABLE, (F620), 41P TO 61P, GROUP ...	1	—		
	621V7909	CABLE, (F621), 41P TO 61P, GROUP ...	1	—		
	666V7909	CABLE, (F656), 58P TO 59P, GROUP ...	1	—		
	657V7909	CABLE, (F567), 58P TO 61P, GROUP ...	1	—		
11468	658V7909	CABLE, (F658), 58P TO 20P, GROUP ...	1	—	C	
	659V7909	CABLE, (F659), 59P TO 60P, GROUP ...	1	—		
	719V7909	CABLE, (F719), TB. 776 TO VOLTAGE REGULATOR, GROUP	1	—		
	772V7909	CABLE, (F772), STARBOARD TRANS- PORT BREAK 53 TO 26P, GROUP	1	—		
	773V7909	CABLE, (F773), PORT TRANSPORT BREAK 43 TO 26P, GROUP	1	—		
	806V7909	CABLE, (F806), 61P TO 62P, GROUP ...	1	—		
	813V7909	CABLE, (F813), TRANS. RECTIFIER UNIT TO BLOWER MOTOR, GROUP	1	—		
	1070V7909	CABLE, (F1070), GROUND SUPPLY PLUG TO RELAY 14, GROUP (Pre-Mod. 1417)	1	—		

VULCAN Mk. 2

ELECTRICAL INSTALLATION
POWER COMPARTMENT

Page FN. 3

Ref. No.	Part No.	Description	No. off	Matl. Spec.	Cl. of	Plate and Illust'n No.
					St. M.R.	
		1 2 3 4				
	1118V7909	CABLE, (F1118), TB.778 TO VOLTAGE REGULATOR, GROUP	1	—		
	1120V7909	CABLE, (F1120), No. 1 LAMP TO No. 2 LAMP, GROUP	1	—		
	1214V7909	CABLE, (F1214), TB.4 TO EARTH, GROUP ...	1	—		
	1230V7909	CABLE, (F1230), TB.779 TO TB.781, GROUP .	1	—		
	1234V7909	CABLE, (F1234), TB.782 TO VOLTAGE REGULATOR, GROUP	1	—		
	1266V7909	CABLE, (F1266), 40P TO 59P, GROUP GROUP	1	—		
	1267V7909	CABLE, (F1267), 40P TO 58P, GROUP (Pre-Mod. 1552)	1	—		
	1272V7909	CABLE, (F1272), 40P TO 60P, GROUP GROUP	1	—		
	1273V7909	CABLE, (F1273), 41P TO 60P, GROUP GROUP	1	—		
	1274V7909	CABLE, (F1274), 41P TO 59P, GROUP GROUP	1	—		
	1275V7909	CABLE, (F1275), RELAY 23 TO TB.144, GROUP	1	—		
	1276V7909	CABLE, (F1276), RELAY 24 TO TB.143, GROUP	1	—		
	1277V7909	CABLE, (F1277), RELAY 52 TO TB.147, GROUP	1	—		
	1278V7909	CABLE, (F1278), RELAY 49 TO TB.148, GROUP	1	—		
	1279V7909	CABLE, (F1279), 40P TO 58P, GROUP GROUP	1	—		
	1280V7909	CABLE, (F1280), 40P TO 61P, GROUP GROUP	1	—		
	1281V7909	CABLE, (F1281), 41P TO 61P, GROUP GROUP	1	—		
	1282V7909	CABLE, (F1282), 41P TO 58P, GROUP GROUP	1	—		
	1283V7909	CABLE, (F1283), RELAY 21 TO TB.146, GROUP	1	—		
	1284V7909	CABLE, (F1284), RELAY 22 TO TB.145, GROUP	1	—		
	1285V7909	CABLE, (F1285), RELAY 50 TO TB.149, GROUP	1	—		
	1286V7909	CABLE, (F1286), RELAY 51 TO TB.150, GROUP	1	—		

ELECTRICAL INSTALLATION
POWER COMPARTMENT

Ref. No.	Part No.	Description	No. off	Matl. Spec.	Cl. of St.	Plate and Illust'n No.
					M.R.	
		1 2 3 4				
	1306V7909	CABLE, (F1306), 40P TO 58P, GROUP (Pre-Mod. 1552)	1	—		
	1308V7909	CABLE, (F1308), 40P TO 59P, GROUP (Pre-Mod. 1552)	1	—		
	1311V7909	CABLE, (F1311), 41P TO 61P, GROUP (Pre-Mod. 1552)	1	—		
	1313V7909	CABLE, (F1313), 41P TO 60P, GROUP (Pre-Mod. 1552)	1	—		
	1331V7909	CABLE, (F1331), TB.103 TO EARTH, GROUP .. (Pre-Mod. 1552)	1	—		
	1337V7909	CABLE, (F1337), No. 4 ALTERNATOR CONTROL PANEL TO 21J AND 26P, GROUP	1	—		
	1345V7909	CABLE, (F1345), VOLT TRIMMER TO VOLTAGE REGULATOR, GROUP (Pre-Mod. 1174)	1	—		
	1362V7909	CABLE, (F1362), 61P TO 17J, GROUP (Pre-Mod. 1174)	1	—		
	1376V7909	CABLE, (F1376), VOLT TRIMMER TO VOLTAGE REGULATOR, GROUP (Pre-Mod. 1174)	1	—		
	1390V7909	CABLE, (F1390), 60P TO 16J, GROUP (Pre-Mod. 1174)	1	—		
	1427V7909	CABLE, (F1427), VOLT TRIMMER TO VOLTAGE REGULATOR, GROUP (Pre-Mod. 1174)	1	—		
	1431V7909	CABLE, (F1431), 58P TO 14J, GROUP (Pre-Mod. 1174)	1	—		
	1448V7909	CABLE, (F1448), No. 2 ALTERNATOR CONTROL PANEL TO 19J AND 26P, GROUP	1	—		
	1458V7909	CABLE, (F1458), VOLT TRIMMER TO VOLTAGE REGULATOR, GROUP (Pre-Mod. 1174)	1	—		
	1459V7909	CABLE, (F1459), VOLTAGE REGULATOR TO EARTH, GROUP	1	—		
	1574V7909	CABLE, (F1574), 59P TO 15J, GROUP (Pre-Mod. 1174)	1	—		
	1702V7909	CABLE, (F1702), 14J TO TB's 775 AND 776, .. GROUP	1	—		
	1703V7909	CABLE, (F1073), 15J TO TB's 777 AND 778, .. GROUP	1	—		
	1704V7909	CABLE, (F1704), 16J TO TB's 779 AND 780, .. GROUP	1	—		
	1705V7909	CABLE, (F1705), 17J TO TB's 781 AND 782, .. GROUP	1	—		

VULCAN Mk. 2

ELECTRICAL INSTALLATION
POWER COMPARTMENT

Page FN. 5

Ref. No.	Part No.	Description	No. off	Matl. Spec.	Cl. of	Plate and Illust'n No.
					St. M.R.	
		1 2 3 4				
	1709V7909	CABLE, (F1709), VOLTAGE REGULATOR TO EARTH, GROUP	1	—		
	1710V7909	CABLE, (F1710), VOLTAGE REGULATOR TO EARTH, GROUP	1	—		
	1716V7909	CABLE, (F1716), TB. 786 TO No. 1 V/METER TEST, GROUP	1	—		
	1717V7909	CABLE, (F1717), TB. 787 TO No. 2 V/METER TEST, GROUP	1	—		
	1718V7909	CABLE, (F1718), TB. 788 TO No. 3 V/METER TEST, GROUP	1	—		
	1719V7909	CABLE, (F1719), TB. 789 TO No. 4 V/METER TEST, GROUP	1	—		
	1790V7909	CABLE, (F1790), 61P TO EARTH, GRP. ...	1	—		
	1800V7909	CABLE, (F1800), 59P TO EARTH, GRP. ...	1	—		
	1802V7909	CABLE, (F1802), 58P TO EARTH, GRP. ...	1	—		
	1805V7909	CABLE, (F1805), 60P TO EARTH, GRP. ...	1	—		
	2084V7909	CABLE, (F2804), 74P TO EARTH, GRP. ...	1	—		
	2086V7909	CABLE, (F2086), T.R.U. TO RELAY 393, GROUP	1	—		
	2134V7909	CABLE, (F2134), T.R.U. TO RELAY 13, GROUP	1	—		
	2348V7909	CABLE, (F2348), 59P TO 80P, GROUP (Mod. 526)	1	—		
	2354V7909	CABLE, (F2354), 59P TO 80P, GROUP (Mod. 526) (Pre-Mod. 1552)	1	—		
	2356V7909	CABLE, (F2356), 59P TO 80P, GROUP (Mod. 526) (Pre-Mod. 1552)	1	—		
	2441V7909	CABLE, (F2441), 26P TO 41P, GROUP (Mod. 526)	1	—		
	2443V7909	CABLE, (F2443), 26P TO 40P, GROUP (Mod. 526)	1	—		

**ELECTRICAL INSTALLATION
POWER COMPARTMENT**

Ref. No.	Part No.	Description	No. off	Matl. Spec.	Cl. of St.	Plate and Illust'n No.
					M.R.	
		1 2 3 4				
	2445V7909	CABLE, (F2745), 15J TO 19J, GROUP ...	1	—		
	2446V7909	CABLE, (F2446), 16J TO 20J, GROUP ...	1	—		
	2448V7909	CABLE, (F2448), 19J TO 20J, GROUP ...	1	—		
	2451V7909	CABLE, (F2451), 14J TO 18J, GROUP ...	1	—		
	2452V7909	CABLE, (F2452), 18J TO 19J, GROUP ...	1	—		
	2454V7909	CABLE, (F2454), 17J TO 21J, GROUP ...	1	—		
	2455V7909	CABLE, (F2455), 20J TO 21J, GROUP ...	1	—		
	2502V7909	CABLE, (F2502), 29P TO 82P, GROUP ...	1	—		
	2521V7909	CABLE, (F2521), T.R.U. TO TB. 1526, GRP.	1	—		
	2522V7909	CABLE, (F2522), TEST SOCKET TO TB. 1528, GROUP	1	—		
	2563V7909	CABLE, (F2563), T.R.U. TO TB's 1528 AND 1529, GROUP	1	—		
	2570V7909	CABLE, (F2570), T.R.U. TO EARTH, GRP.	1	—		
	2665V7909	CABLE, (F2665), MACH. TRIM ACTUATOR TO TB's 1210 AND 1218, GROUP	1	—		
	2666V7909	CABLE, (F2666), MACH. TRIM ACTUATOR, TO TB's 1210 AND 1218, GROUP	1	—		
	2667V7909	CABLE, (F2667), MACH. TRIM ACTUATOR TO TB's 1210 AND 1218, GROUP	1	—		
	2668V7909	CABLE, (F2668), MACH. TRIM ACTUATOR TO TB's 1210 AND 1218, GROUP	1	—		
	2669V7909	CABLE, (F2669), MACH. TRIM ACTUATOR TO TB. 1218, GROUP	1	—		
	2891V7909	CABLE, (F2891), 58P TO EARTH, GROUP (Mod. 736)	1	—		
	2892V7909	CABLE, (F2892), 59P TO EARTH, GROUP (Mod. 736)	1	—		
	2893V7909	CABLE, (F2893), 60P TO EARTH, GROUP (Mod. 736)	1	—		
	3073V7909	CABLE, (F3073), 26P TO 74P, GROUP ...	1	—		
	3248V7909	CABLE, (F3428), 58P TO RELAY 262, GRP. (Mod. 1164)	1	—		

ELECTRICAL INSTALLATION
POWER COMPARTMENT

Ref. No.	Part No.	Description				No. off	Matl. Spec.	Cl. of St.	Plate and Illust'n No.
		1	2	3	4			M.R.	
	3429V7909	CABLE, (F3429), RELAY 262 TO R.T.A.				1	-		
		BLOWER, GROUP (Mod. 1164)							
	3430V7909	CABLE, (F3430), RELAY 262 TO EARTH,				1	-		
		GROUP (Mod. 1164)							
	3431V7909	CABLE, (F3431), RELAY 262 TO 26P,				1	-		
		GROUP (Mod. 1164)							
	4087V7909	CABLE, (F4087), TB's 786, 787, 788 &					-		
		789 TO No. 1, 2, 3 & 4 ALTERNATOR CONTROL PANELS (Mod. 2211)							
	7044V7909	CABLE, (F560), 18J TO 26P, 40P AND				1	-		
		PORT TRANSPORT BREAK 45, GROUP							
	7052V7909	CABLE, (F1369), No. 3 ALT, CONTROL				1	-		
		PANEL TO 20J AND 26P, GROUP							
	7184V7909	CABLE, (F628), TB 109 TO EARTH,				1	-		
		GROUP							
	7194V7909	CABLE, (F2246), CONTROL UNIT TO				1	-		
		TB's 430, 431 AND EARTH, GROUP (Mod. 513)							
	7307V7909	CABLE, (1451), VOLTAGE REGULATOR				1	-		
		AND TB 787 TO FUSES 4 AND 5, GROUP							
	7308V7909	CABLE, (F1343), VOLTAGE REGULATOR ...				1	-		
		AND TB 789 TO FUSES 10 AND 11, GROUP							
	7309V7909	CABLE, (F1166), VOLTAGE REGULATOR ...				1	-		
		AND TB 786 TO FUSES 1 AND 2, GROUP							
	7310V7909	CABLE, (F1374), VOLTAGE REGULATOR ...				1	-		
		AND TB 788 TO FUSES 7 AND 8, GROUP							
	7362V7909	CABLE, (F780), No. 1 VOLTAGE REGU-				1	-		
		LATOR TO No. 4 VOLTAGE REGULATOR, GROUP							
	7363V7909	CABLE, (F1171), No. 3 VOLTAGE REGU-				1	-		
		LATOR TO No. 4 VOLTAGE REGULATOR, GROUP							
	7364V7909	CABLE, (F1136), No. 2 VOLTAGE REGU-				1	-		
		LATOR TO No. 3 VOLTAGE REGULATOR, GROUP							
	7365V7909	CABLE, (F720), No. 1 VOLTAGE REGU-				1	-		
		LATOR TO No. 2 VOLTAGE REGULATOR, GROUP							

ELECTRICAL INSTALLATION
POWER COMPARTMENT

Ref. No.	Part No.	Description	No. off	Matl. Spec.	Cl. of St.	Plate and Illust'n No.
					M.R.	
		1 2 3 4				
	7430V7909	CABLE, (F1426), No. 1 VOLTAGE REGU- LATOR TO EARTH, GROUP	1	-		
	7438V7909	CABLE, (F2447), 19J TO TB.750, GROUP (Mod. 569)	1	-		
	7439V7909	CABLE, (F2457), 20J TO TB.750, GROUP (Mod. 569)	1	-		
	7497V7909	CABLE, (F584), TRANSPORT BREAK 37 TO 40P, GROUP (Pre-Mod. 1174)	1	-		
	7498V7909	CABLE, (F586), TRANSPORT BREAK 38 TO 40P, GROUP (Pre-Mod. 1174)	1	-		
	7499V7909	CABLE, (F588), TRANSPORT BREAK 40 TO 40P, GROUP (Pre-Mod. 1174)	1	-		
	7500V7909	CABLE, (596), TRANSPORT BREAK 36 TO 40P, GROUP	1	-		
	7501V7909	CABLE, (F598), TRANSPORT BREAK 39 TO 40P, GROUP	1	-		
	7504V7909	CABLE, (F622), TRANSPORT BREAK 47 TO 41P, GROUP	1	-		
	7505V7909	CABLE, (F624), TRANSPORT BREAK 48 TO 41P, GROUP	1	-		
	7506V7909	CABLE, (F626), TRANSPORT BREAK 50 TO 41P, GROUP	1	-		
	7507V7909	CABLE, (F1307), TRANSPORT BREAK 41 TO 40P, GROUP	1	-		
	7529V7909	CABLE, (F1289), GROUND SUPPLY PLUG TO EARTH, GROUP (Pre-Mod. 1417)	1	-		
	7565V7909	CABLE, (F660), 60P TO 61P, GROUP	1	-		
	7577V7909	CABLE, (F609), TRANSPORT BREAK 46 TO 41P, GROUP (Pre-Mod. 1174)	1	-		
	7578V7909	CABLE, (F611), TRANSPORT BREAK 49 TO 41P, GROUP (Pre-Mod. 1174)	1	-		
	7579V7909	CABLE, (F1312), TRANSPORT BREAK 51 TO 41P, GROUP	1	-		
	7581V7909	CABLE, (F1570), TIME SWITCH TO 26P, 40P, AND 41P, GROUP (Pre-Mod. 1320)	1	-		
	7582V7909	CABLE, (F1564), TIME SWITCH TO 26P, 40P AND 41P, GROUP	1	-		

VULCAN Mk. 2

ELECTRICAL INSTALLATION
POWER COMPARTMENT

Page FN. 9

Ref. No.	Part No.	Description	No. off	Matl. Spec.	Cl. of	Plate and Illust'n No.
					Sc.	
		1 2 3 4			M.R.	
	7602V7909	CABLE, (F558), 20J TO 26P, 41P AND TRANSPORT BREAK 54, GROUP (Pre-Mod. 1320)	1	—		
	7637V7909	CABLE, (F1268), 41P TO 60P, GROUP ...	1	—		
	7638V7909	CABLE, (F1172), VOLTAGE REGULATOR TO TB. 780, GROUP	1	—		
	7640V7909	CABLE, (F989), TB. 779 TO TB. 777, GRP.	1	—		
	7654V7909	CABLE, (F2503), TB. 1527 TO EARTH, GRP.	1	—		
	7658V7909	CABLE, (F556), TB. 775 TO TB. 781, GRP.	1	—		
	7659V7909	CABLE, (F614), TB. 114 TO EARTH, GRP. (Pre-Mod. 1174)	1	—		
	7671V7909	CABLE, (F2082), 29P TO 74P, GROUP ...	1	—		
	7672V7909	CABLE, (F663), 29P TO 59P, GROUP ...	1	—		
	7673V7909	CABLE, (F661), 29P TO 61P, GROUP ...	1	—		
	7674V7909	CABLE, (F662), 26P TO 60P, GROUP ...	1	—		
	7675V7909	CABLE, (F2968), T.R.U. TO FUSE 484, GROUP	1	—		
	7864V7909	CABLE, (F856), 26P TO LAMP No. 1 AND EARTH, GROUP (Mod. 569)	1	—		
	8028V7909	CABLE, (F1215), 26P TO DOWNWARD IDENT LAMP AND TB. 617, GROUP (Mod. 743)	1	—		
	8088V7909	CABLE, (F1163), No. 1 ALTERNATOR CONTROL PANEL AND 21J TO 18J AND 26P, GROUP	1	—		
	8112V7909	CABLE, (F1565), TIME SWITCH TO 26P, 40P AND 41P, GROUP	1	—		
	8113V7909	CABLE, (F563), 21J TO STARBOARD TRANSPORT BREAK 55 AND 21P, GRP.	1	—		
	8140V7909	CABLE, (F2381), 59P TO 80P, GROUP (Mod. 526) (Pre-Mod. 1552)	1	—		
	8183V7909	CABLE, (F2894), 61P TO EARTH, GROUP	1	—		
	8234V7909	CABLE, (F3006), FLASHER UNIT TO 14P, 18J, 26P, 44P, 58P, 59P, 60P, 61P AND 74P, GROUP (Mod. 1745)	1	—		

ELECTRICAL INSTALLATION
POWER COMPARTMENT

Ref. No.	Part No.	Description				No. off	Matl. Spec.	Cl. of St.	Plate and Illust'n No.
		1	2	3	4			M.R.	
	2762V7909	CABLE, (F2762), GROUP (Mod. 1300)	...		1	—			
	2766V7909	CABLE, (F2766), GROUP (Mod. 1300)	...		1	—			
	3576V7909	CABLE, (F3576), GROUP (Mod. 1300)	...		1	—			
	3735V7909	CABLE, (F3735), GROUP (Mod. 1976)	...		1	—			
	3736V7909	CABPE, (F3736), GROUP (Mod. 1976)	...		1	—			
	3737V7909	CABLE, (F3737), GROUP (Mod. 1976)	...		1	—			
	3738V7909	CABLE, (F3738), GROUP (Mod. 1976)	...		1	—			
	3739V7909	CABLE, (F3739), GROUP (Mod. 1976)	...		1	—			
	3740V7909	CABLE, (F3740), GROUP (Mod. 1976)	...		1	—			
	3741V7909	CABLE, (F3741), GROUP (Mod. 1976)	...		1	—			
	3742V7909	CABLE, (F3742), GROUP (Mod. 1976)	...		1	—			
	3743V7909	CABLE, (F3743), GROUP (Mod. 1976)	...		1	—			
	3744V7909	CABLE, (F3744), GROUP (Mod. 1976)	...		1	—			
	3745V7909	CABLE, (F3745), GROUP (Mod. 1976)	...		1	—			
	3746V7909	CABLE, (F3746), GROUP (Mod. 1976)	...		1	—			
	3760V7909	CABLE, (F3760), GROUP (Mod. 1745)	...		1	—			
	3765V7909	CABLE, (F3765), GROUP (Mod. 1300)	...		1	—			
	3861V7909	CABLE, (F3861), GROUP (Mod. 2061)	...		1	—			
	3862V7909	CABLE, (F3862), GROUP (Mod. 2061)	...		1	—			
	3863V7909	CABLE, (F3863), GROUP (Mod. 2061)	...		1	—			

VULCAN MK. 2

ELECTRICAL INSTALLATION
POWER COMPARTMENT

Ref. No.	Part No.	Description	No. off	Matl. Spec.	Cl. of St.	Plate and Illust'n No.
					M.R.	
		1 2 3 4				
	3864V7909	CABLE, (F3864), GROUP (Mod. 2061)	1	—		
	3874V7909	CABLE, (F3874), GROUP (Mod. 2061)	1	—		
	3875V7909	CABLE, (F3875), GROUP (Mod. 2061)	1	—		
	3876V7909	CABLE, (F3876), GROUP (Mod. 2061)	1	—		
	3877V7909	CABLE, (F3877), GROUP (Mod. 2061)	1	—		
	3878V7909	CABLE, (F3878), GROUP (Mod. 2061)	1	—		
	3879V7909	CABLE, (F3879), GROUP (Mod. 2061)	1	—		
	3880V7909	CABLE, (F3880), GROUP (Mod. 2061)	1	—		
	3881V7909	CABLE, (F3881), GROUP (Mod. 2061)	1	—		
	3882V7909	CABLE, (F3882), GROUP (Mod. 2061)	1	—		
	3886V7909	CABLE, (F3886), GROUP (Mod. 2061)	1	—		
	3947V7909	CABLE, (F3947), GROUP	1	—		
	4217V7909	CABLE, (F4217), GROUP (Mod. 2378)	1	—		
	4218V7909	CABLE, (F4218), GROUP (Mod. 2378)	1	—		
	4237V7909	CABLE, (F4237), JB14 AND 74P TO SWITCHED EARTH ON FMR.370"A., GROUP (Mod. 2428)	1	—		
	8036V7909	CABLE, (F608), GROUP (Mod. 1745)	1	—		
	8380V7909	CABLE, (F2068, PROTECTION CONTROL UNIT TO 26P, 74P AND EARTH, GROUP (Mod. 1000)	1	—		
	8381V7909	CABLE, (F557), 19J TO TRANSPORT BREAK 44, 40P AND 74P, GROUP (Mod. 1000)	1	—		
	8385V7909	CABLE, (F1580), 29P TO 74P, GROUP (Mod. 1000)	1	—		
	8386V7909	CABLE, (F1290), GROUND SUPPLY PLUG TO 74P, GROUP (Mod. 1000)	1	—		

VULCAN Mk. 2

Page FN. 12

**ELECTRICAL INSTALLATION
POWER COMPARTMENT**

Ref. No.	Part No.	Description	No. off	Mach. Spec.	Cl. of	Plate and Illust'n No.
					St. M.R.	
		1 2 3 4				
	8392V7909	CABLE, (F1173), TB.780 TO 60P GROUP (Mod. 975)	1	—		
	8393V7909	CABLE, (F1231), TB.779 TO GB.96, GROUP (Mod. 975)	1	—		
	8394V7909	CABLE, (F1380), 20J TO 60P, GROUP (Mod. 975)	1	—		
	8249V7909	CABLE, (F1370), No. 3 CONTROL PANEL TO No. 3 VOLTAGE REGULATOR, 20J, 60P, TB.779 AND EARTH, GROUP (Mod. 975)	1	—		
	8395V7909	CABLE, (F1370), No. 3 CONTROL PANEL TO No. 3 VOLTAGE REGULATOR, 20J 60P, TB.779 AND EARTH, GROUP (Mod. 975)	1	—		
	8396V7909	CABLE, (F1372) No. 3 FREQUENCY AND LOAD CONTROL TO 16J, 20J AND 60P, GROUP (Mod. 975)	1	—		
	8397V7909	CABLE, (F1569), 60P TO EARTH, GROUP (Mod. 975)	1	—		
	8398V7909	CABLE, (F1568), 60P TO 61P, GROUP (Mod. 975)	1	—		
	7977V7909	CABLE, (F1566), 59P TO 60P, GROUP (Pre-Mod. 975)	1	—		
	8399V7909	CABLE, (F1566) 59P TO 60P, GROUP (Mod. 975)	1	—		
	8400V7909	CABLE, (F1233), TB.782 TO 61P, GROUP (Mod. 975)	1	—		
	8401V7909	CABLE, (F1232), TB.781 TO 61P, GROUP (Mod. 975)	1	—		
	8402V7909	CABLE, (F1349), 21J TO 61P, GROUP (Mod. 975)	1	—		
	8403V7909	CABLE, (F1339), No. 4 CONTROL PANEL TO No. 4 VOLTAGE REGULATOR, 21J, 61P, AND EARTH, GROUP (Mod. 975)	1	—		

VULCAN Mk. 2

ELECTRICAL INSTALLATION
POWER COMPARTMENT

Page FN. 13

Ref. No.	Part No.	Description	No. off	Matl. Spec.	Cl. of St.	Plate and Illust'n No.
					M.R.	
		1 2 3 4				
	8240V7909	CABLE, (F1341), No. 4 FREQUENCY AND LOAD CONTROL TO 17J, 21J AND 61P, GROUP (Pre-Mod. 975)	1	—		
	8404V7909	CABLE, (F1341), No. 4 FREQUENCY AND LOAD CONTROL TO 17J, 21J AND 61P, GROUP (Mod. 975)	1	—		
	8405V7909	CABLE, (F1570), 61P TO EARTH, GROUP (Mod. 975)	1	—		
	8406V7909	CABLE, (F1573), 58P TO 61P, GROUP (Mod. 975)	1	—		
	8407V7909	CABLE, (F1470), 19J TO 59P, GROUP (Mod. 975)	1	—		
	8408V7909	CABLE, (F3205), 59P TO 74P, GROUP (Mod. 975)	1	—		
	8409V7909	CABLE, (F1567), 59P TO EARTH, GROUP (Mod. 975)	1	—		
	8410V7909	CABLE, (F1449) No. 2 CONTROL PANEL TO No. 2 VOLTAGE REGULATOR, 19J, 59P, TB.777 AND EARTH, GROUP (Mod. 975)	1	—		
	8411V7909	CABLE, (F1572), 58P TO 59P, GROUP (Mod. 975)	1	—		
	8412V7909	CABLE, (F1154), TB.778 TO C.B.98, GROUP (Mod. 975)	1	—		
	8413V7909	CABLE, (F1155), TB.777 TO 59P, GROUP (Mod. 975)	1	—		
	8414V7909	CABLE, (F1453), No. 2 FREQUENCY AND LOAD CONTROL TO 15J, 19J AND 59P, GROUP (Mod. 975)	1	—		
	8415V7909	CABLE, (F2326), 29P TO 74P, GROUP (Mod. 975)	1	—		
	8418V7909	CABLE, (F2081), 29P TO 74P, GROUP (Mod. 975)	1	—		
	8419V7909	CABLE, (F2094), 29P TO EARTH, GROUP (Mod. 975)	1	—		

ELECTRICAL INSTALLATION

POWER COMPARTMENT

Ref. No.	Part No.	Description	No. off	Matl. Spec.	Cl. of St.	Plate and Illust'n No.
					M.R.	
		1 2 3 4				
	8420V7909	CABLE, (F3016), 26P TO 29P, GROUP (Mod. 975)	1	—		
	8422V7909	CABLE, (F3035), GROUND SUPPLY PLUG ... TO 29P, GROUP (Mod. 975)	1	—		
	8423V7909	CABLE, (F1429), 18J TO 58P, GROUP (Mod. 975)	1	—		
	8424V7909	CABLE, (F1571), 58P TO EARTH, GROUP (Mod. 975)	1	—		
	8425V7909	CABLE, (F1164), No. 1 CONTROL PANEL TO No. 1 VOLTAGE REGULATOR, 18J 58P, TB.775 AND EARTH, GROUP (Mod. 975)	1	—		
	8426V7909	CABLE, (F460), TB.776 TO RELAY 101, GROUP (Mod. 975)	1	—		
	8427V7909	CABLE, (F439), TB.775 TO 58P, GROUP (Mod. 975)	1	—		
	8429V7909	CABLE, (F2327) 29P TO 74P, GROUP (Mod. 975)	1	—		
	8799V7909	CABLE, (F1070) GROUND SUPPLY PLUG TO 29P, GROUP (Mod. 1417)	1	—		
	8800V7909	CABLE, (F1289), GROUND SUPPLY PLUG ... TO EARTH, GROUP (Mod. 1417)	1	—		
	8801V7909	CABLE, (F1290), GROUND SUPPLY PLUG ... TO 74P, GROUP (Mod. 1417) (Pre-Mod. 2378)	1	—		
	8803V7909	CABLE, (F1299), GROUND SUPPLY PLUG ... TO EARTH, GROUP (Mod. 1417)	1	—		
	8806V7909	CABLE, (F3085), GROUND SUPPLY PLUG ... TO 29P, GROUP (Mod. 1417)	1	—		
	8847V7909	CABLE, (F558), 20J TO STARBOARD TRANSPORT BREAK 54, 26P AND 41P, GROUP (Mod. 1320)	1	—		
	8852V7909	CABLE, (F2243), PROTECTION CONTROL ... UNIT TO 29P, GROUP (Mod. 1194)	1	—		
	8897V7909	CABLE, (F1267), 40P TO 59P, GROUP (Mod. 1552)	1	—		

ELECTRICAL INSTALLATION
POWER COMPARTMENT

Ref. No.	Part No.	Description	No. off	Matl. Spec.	Cl. of St.	Plate and Illust'n No.
					M.R.	
		1 2 3 4				
	8910V7909	CABLE, (F1306), 40P TO 59P, GROUP (Mod. 1552)	1	—		
	8913V7909	CABLE, (F1311), 41P TO 60P, GROUP (Mod. 1552)	1	—		
	9079V7909	CABLE, (F2356), 60P TO 80P, GROUP (Mod. 1552)	1	—		
	9081V7909	CABLE, (F2381), 61P TO 80P, GROUP (Mod. 1552)	1	—		
	9083V7909	CABLE, (F2354), 60P TO 80P, GROUP (Mod. 1552)	1	—		
	9246V7909	CABLE, (F460), GROUP (Mod. 1976)	1	—		
	9247V7909	CABLE, (F556), GROUP (Mod. 1976)	1	—		
	9248V7909	CABLE, (F719), GROUP (Mod. 1976)	1	—		
	9249V7909	CABLE, (F989), GROUP (Mod. 1976)	1	—		
	9250V7909	CABLE, (F1118), GROUP (Mod. 1976)	1	—		
	9251V7909	CABLE, (F1154), GROUP (Mod. 1976)	1	—		
	9460V7909	CABLE, (F1560), GROUP (Mod. 1768)	1	—		
	9468V7909	CABLE, (F1564), GROUP	1	—		
	9498V7909	CABLE, (F2086), GROUP	1	—		
	9499V7909	CABLE, (F658), GROUP	1	—		
	9500V7909	CABLE, (F1163), GROUP	1	—		
	9501V7909	CABLE, (F1370), GROUP	1	—		
	9695V7909	CABLE, (F3487), GROUP (Mod. 2061)	1	—		
	9696V7909	CABLE, (F2761), GROUP (Mod. 2061)	1	—		
	9697V7909	CABLE, (F2763), GROUP (Mod. 2061)	1	—		
	9698V7909	CABLE, (F2744), GROUP (Mod. 2061)	1	—		
	9699V7909	CABLE, GROUP (Mod. 2061)	1	—		
	9956V7909	CABLE, (F1290), GROUP (Mod. 2378)	1	—		

ELECTRICAL INSTALLATION

POWER COMPARTMENT

Ref. No.	Part No.	Description	No. off	Matl. Spec.	Cl. of St.	Plate and Illust'n No.
					M.R.	
29H/1250109	18V9488	CHAIN, CHECK, GROUP	2	—		FN3/4
	18dV9488	Spares for:— Chain, (Baxendale, Ref. No. 290)	2	—		
	TERRY	Ring, Terry, 3/4" i/d.	4	—	C	
	CAT. No. 169					
28FP/9438813 28FP/9425771		COVER AND FUSE LABELS, GROUP (1V10642) (Mod. 1552) Spares for:—				
	1V10643	COVER, FOR FUSE LABELS 29P, 58P, 59P, 60P AND 61P, GROUP Spares for:—	1	—	MR	FN1/5
	2V10643	COVER, GROUP	1	—		FN1/6
		Spares for:—				
	AW5/30	Fastener, Dzus	2	—	C	
	GA5/312	Grommet, Dzus	2	—	C	
	650SS6005	Label	1	—		
	5V10643	Block, upper hinge	1	BSS2966		
	6V10643	Block, lower hinge	1	BSS2966		
	3V10643	Hinge, (make from AS1877/170)	1	—		
	1V10644	LABEL, 29P, GROUP	1	—		
1V11938	LABEL, 60P, GROUP (Mod. 1552)	1	—			
1V11939	LABEL, 61P, GROUP (Mod. 1552)	1	—			
1V11942	LABEL, 59P, GROUP (Mod. 1552)	1	—			
1V11945	LABEL, 58P, GROUP (Mod. 1552)	1	—			
11355	1V10657	PANEL, DOOR, GROUP		—	B	FN1/7
		Spares for:—				
28FP/9438813	A5/30	Fastener, Dzus	5	—	C	
28FP/9425771	GA5/312	Grommet, Dzus	5	—	C	
	650SS6005	Label	1	—		
1V11936	LABEL 26P, GROUP (Mod. 1552)	1	—			
28FP/9425767	S5/200	Spring, Dzus	2	—	C	
	7V9472	Cover, PVC	2	P.V.C.	MR	FN3/8
5CX/4330015		Dome, glass	3	—	B	FN4/9
11846	1V11847	DUCT, DEFLECTOR, GROUP (Mod. 1245)	1	—	C	FN3/10
		Spares for:—				
	6V11847	Seal, sponge rubber 4-3/8" dia. x 1/2"	1	CS2240B	MR	
	7V11847	Seal, neoprene 1/32" x 4-5/8"	1	BS2752/C3	MR	
	9V9488	Fairlead, half	2	BSS2996/3B		
	10V9488	Fairlead, half	2	BSS2996/3B		
	12V9488	Fairlead, top	2	BSS2996/3B		FN1/11
	13V9488	Fairlead, bottom	2	BSS2996/3B		FN1/12

VULCAN Mk. 2

ELECTRICAL INSTALLATION
POWER COMPARTMENT

Page FN. 17

Ref. No.	Part No.	Description	No. off	Matl. Spec.	Cl. of St.	Plate and Illust'n No.	
					M.R.		
		1 2 3 4					
5X/4491486 5L/9953278	10V5650 —	Ferrule	2	—	C	FN4/13	
		Filament, 28V, 18W	3	—	C		
<p style="text-align: center;">FUSES IN POWER COMPARTMENT, GROUP (5V9851)</p> <p style="text-align: center;">Spares for:—</p>							
10H/0590122	10.II.T	Fuse, 10 amp., Size 2	3	—	C	FN4/13	
10H/0590124	20.II.T	Fuse, 20 amp., Size 2	9	—	C		
10H/0590125	30.II.T	Fuse, 30 amp., Size 2	28	—	C		
10H/0590126	40.II.T	Fuse, 40 amp., Size 2	42	—	C		
10H/0119027	50.II.T	Fuse, 50 amp., Size 2	108	—	C		
10H/0590127	60.II.T	Fuse, 60 amp., Brush, Size 2	3	—	C		
10H/0590113	—	Fuse, 7 amp., end on	42	—	C		
10H/0950111	—	Fuse, 3 amp., end on	43	—	C		
10H/0590112	—	Fuse, 5 amp., end on	72	—	C		
10H/0119925	—	Fuse, 10 amp., end on	6	—	C		
10H/1043043	AS2.5	Fuse, 2.5 amp., "S" type	18	—	C		
10H/9718192	AS5	Fuse, 5 amp., "S" type	4	—	C		
10H/9718191	AS10	Fuse, 10 amp., "S" type	12	—	C		
10H/1043045	AS15	Fuse, 15 amp., "S" type	1	—	C		
5CW/4222	—	Guard, locking switch (Mod. 2428)	1	—	C		FN4/13A
<p style="text-align: center;">Spares for:—</p>							
28S/9150582	A43/B16	Screw, 4 BA	2	—	C		
<p style="text-align: center;">LAMPHOLDER, GROUP</p> <p style="text-align: center;">Spares for:—</p>							
	1V6798	LAMPHOLDER, GROUP	3	—			
<p style="text-align: center;">Spares for:—</p>							
	2V6798	Cable, unipren, 6 amp. x 2" long	3	—			
5CX/4330014	—	Lamp	3	—	B	FN4/14	
<p style="text-align: center;">MOUNTING, VOLTAGE REGULATORS ON AFT FACE OF REAR SPAR, PORT AND STARBOARD (1 AND 2V9437)</p> <p style="text-align: center;">Spares for:—</p>							
	PLESSEY CZ64520/6	Lead, bonding	4	—			
5UC/4396019	—	Regulator, voltage (Pre-Mod. 2197)	4	—	A	FN1/15	
5UC/1984075	AE7306 Mk. 3	Regulator, Type 129 (Mod. 2197)	4	—	A		
<p style="text-align: center;">(Mod. 2329) (incorporating Rotax Mod. EE6/60864)</p>							
<p style="text-align: center;">MOUNTING OF FREQUENCY AND LOAD CONTROLLERS AND J/BOXES 18J, 19J, 20J AND 21J, GROUP (V9517)</p> <p style="text-align: center;">Spares for:—</p>							
	1V7717	BOX, JUNCTION 18J, GROUP	1	—		FN1/16	
	2V7717	BOX, JUNCTION 19J, GROUP	1	—		FN1/17	
	3V7717	BOX, JUNCTION 20J, GROUP	1	—		FN1/18	
	4V7717	BOX, JUNCTION 21J, GROUP	1	—		FN1/19	
<p style="text-align: center;">Spares for:—</p>							
5X/6200370	1V5650	Block, terminal	8	—	C	FN1/20	
	52SS4204	Bush, ring lock, Box 18J and 19J	2	—	MR	FN1/21	
	62SS4204	Bush, ring lock, Box 20J and 21J	2	—	C	FN1/22	
11422	—	Shroud	8	—	C	FN1/23	
5X/4491245	—	Controller, frequency and load (Mod. 1579)	4	—	A	FN1/24	
5UC/6204982	—						

ELECTRICAL INSTALLATION

POWER COMPARTMENT

Ref. No.	Part No.	Description	No. off	Matl. Spec.	Cl. of St.	Plate and Illust'n No.
					M.R.	
		1 2 3 4				
	1V9266	MOUNTING OF ALTERNATOR CONTROL UNITS, PORT (1V9265) Spares for:— SHELF, CONTROL UNIT, GROUP	1	—		FN1/26
	1V9276	MOUNTING OF ALTERNATOR CONTROL UNITS, STARBOARD (1V9274) Spares for:— SHELF, CONTROL UNIT, GROUP	1	—		FN1/27
8323	PLESSEY CZ6632 1aSS4205	MOUNTING OF VOLTAGE TRIM AND TEST PANEL (1V9470) (Mod. 1551) Spares for:— Cap, protective	5	—		
		Clip	5	—	C	
	2V9470	PANEL, TRIMMER, GROUP	1	—		FN1/28
	225SS6004	Spares for:— Label	1	—		
	226SS6004	Label	1	—		
	473SS6004	Label	1	—		
	474SS6004	Label	1	—		
	186SS6005	Label	1	—		
	187SS6005	Label	1	—		
		MOUNTING OF EXTRA SUPPLIES PANEL 74P (1V9180) Spares for:—				
	1V9181	PANEL, RELAY, 74P, GROUP	1	—		FN3/29
5X/6200370	1V5650	Spares for:— Block, terminal	3	—	C	FN3/30
5X/4491769	1V7870	Block, earth	1	—	B	FN3/31
5CW/4400291	ENG ELEC. AED7702	Box, A.C. frequency pick-up	1	—	A	FN3/32
5CW/4400379	ENG. ELEC. AED7723	Box, synch. voltage pick-up	1	—	A	FN3/33
	1V10560	LOOM, CABLE, GROUP (Pre-Mod. 2307) ..	1	—		
	1V16319	LOOM, CABLE, GROUP (Mod. 2307)	1	—		
5CW/4400162	7CZ103729/2	Relay, type CH/2CO/28/10	2	—	A	FN3/34
5CW/4400161	PLESSEY 7CZ105411/2	Relay, type CH/4CO/28/10	3	—	A	FN3/35
5X/4491487	14V5650	Socket	1	—	C	
5X/4491488	15V5650	Socket	13	—	C	
5UC/4375440	30V9900	UNIT, ALTERNATOR FAILURE WARNING, GROUP, (Mod. 1769) (Pre-Mod. 2451) Consisting of:—	1	—	A	
5960-99-0372110	2S004	Transistor	1	—	C	
5UC/6379225	31V9900	UNIT, ALTERNATOR FAILURE WARNING GROUP, (Mod. 2451) Consisting of:—	1	—	A	
5961-99-0374675	BFY50	Transistor	1	—	C	

ELECTRICAL INSTALLATION
POWER COMPARTMENT

Ref. No.	Part No.	Description	No. off	Matl. Spec.	Cl. of St.	Plate and Illust'n No.
					M.R.	
		1 2 3 4				
		MOUNTING OF LOAD SHARE BOXES 14J, 15J, 16J & 17J (1V9787)				
		Spares for:—				
	1V7862	BOX, 14J, LOAD SHARE, GROUP	1	—		FN2/36
	2V7862	BOX, 15J, LOAD SHARE, GROUP	1	—		FN2/37
	3V7862	BOX, 16J, LOAD SHARE, GROUP	1	—		FN2/38
	4V7862	BOX, 17J, LOAD SHARE, GROUP	1	—		FN2/39
		Spares for:—				
	9V7862	BOX, 14J, LESS WIRING, GROUP	1	—		
	10V7862	BOX, 15J, LESS WIRING, GROUP	1	—		
	11V7862	BOX, 16J, LESS WIRING, GROUP	1	—		
	12V7862	BOX, 17J, LESS WIRING, GROUP	1	—		
		Spares for:—				
	1V7801	LOOM, CABLE 14J, GROUP	1	—		
		(Pre-Mod. 712)				
	1V9932	LOOM, CABLE, 14J, GROUP	1	—		
		(Mod. 712)				
	1V7802	LOOM, CABLE 15J, GROUP	1	—		
		(Pre-Mod. 712)				
	1V9933	LOOM, CABLE 15J, GROUP	1	—		
		(Mod. 712)				
	1V7803	LOOM, CABLE 16J, GROUP	1	—		
		(Pre-Mod. 712)				
	1V9934	LOOM, CABLE, 16J, GROUP	1	—		
		(Mod. 712)				
	1V7804	LOOM, CABLE 17J, GROUP	1	—		
		(Pre-Mod. 712)				
	1V9935	LOOM, CABLE 17J, GROUP	1	—		
		(Mod. 712)				
	5V7862	Bus Bar, Red	1	—		FN2/40
	6V7862	Bus Bar, Yellow	1	—		FN2/41
	7V7862	Bus Bar, Blue	1	—		FN2/42
5X/4491781	Z23196	Gasket, plug sealing, Plessey type	1	—	C	
	E.L.E. & Co.					
	2444A					
10H/21788	—	Holder, fuse	8	—	C	FN2/43
5X/1982789	—	Shroud, plug, "B" size	1	—	C	FN2/44
	ENG. ELEC.					
	AEA5703	Transformer, current (Pre-Mod. 712)	3	—		
5UB/4342773	AE 5703 Mk. 2	Transformer, current (Mod. 712)	3	—	A	FN2/45
11660	36V7357	Washer, nylon insulation	8	Maranyl 937	C	FN2/46

ELECTRICAL INSTALLATION
POWER COMPARTMENT

Ref. No.	Part No.	Description	No. off	Matl. Spec.	Cl. of St.	Plate and Illust'n No.
					M.R.	
		1 2 3 4				
MOUNTING OF CONDUIT TUBES, PORT AND STARBOARD (1 & 3V9455)						
Spares for:—						
26DL/ 6009505 26FP/13924	13V6352	Bracket	3	L72		FN2/47
	14SS3264	Clip	3	—	C	FN2/48
	2V9455	Tube, conduit, 1-1/8" o/d x 60" long	1	L56		FN2/49
MOUNTING OF CIRCUIT BREAKERS AND FUSE BLOCK AT FRAME 384.5 (V11897)						
Spares for:—						
5CY/5311	B.T.H. LGA12/B1	Breaker, circuit	3	—		FN4/50
5X/4500051	—	Block, fuse, 6-way	1	—		FN4/51
5X/9402147	—	Block, terminal, 3-way	1	—		FN4/52
	13V11179	Bus-bar, for circuit breaker	1	—		FN4/53
5X/9402795	—	Cover	1	—		FN4/54
	B.T.H. CY/119950	Cover, trip	3	—		FN4/55
5X/4500062	—	Link, commoning, 6-way	1	—	C	
5X/9402800	—	Link	2	—	C	
	PLESSEY 7CZ/105411/1	Relay (Mod. 1976)	2	—	B	FN4/56
5CW/4400161	—	Socket, double	3	—	C	
5X/9402799	—					
5UC/9723101	ENG. ELEC. Q.E.5601	Unit, Phase Sequence (Mod. 1976)	1	—		FN4/57
MOUNTING OF T.R.U. FOR R.B.W. IN POWER COMPARTMENT (V12023) (Mod. 1976)						
Spares for:—						
	2V12023	Member, top hat	2	—		FN4/58
5UC/4375426	ROTAX U5502	Unit, transformer rectifier	1	—	A	FN4/59
MOUNTING OF EQUIPMENT, AFT FACE OF FRAME 384.5, PORT (V13368) (Mod. 2061)						
Spares for:—						
5X/6200370	1V5650	Block, terminal	1	—	C	FN4/60
	4V13368	Block, packing	6	L65 or L83		
	2V13368	Bracket	1	—		FN4/61
	PLESSEY 7CZ/105411/2	Relay	4	—	B	FN4/62
5CW/4400161	—					
MOUNTING OF FUSE PANEL 108P (V11707)						
Spares for:—						
	1V11782	PANEL, FUSE 108P, GROUP	1	—		FN4/63
Spares for:—						
	3V11782	Board, fuse	1	—		FN4/64
	4V11782	Board, fuse	1	—		FN4/65

ELECTRICAL INSTALLATION
POWER COMPARTMENT

Ref. No.	Part No.	Description	No. off	Matl. Spec.	Cl. of	Plate and Illust'n No.
					St.	
		1 2 3 4				
		MOUNTING OF FUSE PANEL 108P (V11707) (Cont'd)				
10H/21788	5V11782 62/SS5302 ELECTRIC LTD. 2444A 6V11782	Bus-Bar	6	BSS899		FN4/66
		Bush, ring lock	2	—		
		Carrier, fuse	18		C	FN4/67
		Spacer	8	D.E.F.5000 Grade 1		
11660	5/SS4186 36V7357	Stud	8	S1		FN4/68
		Washer, nylon insulation	18	—		
		PANEL, 26P, REAR SPAR, 28V, DISTRIBUTING (1V7685) (Mod. 1553)	1	—		FN1/69
		Spares for:—				
5X/4500057	—	Block, fuse	3	—	C	FN1/70
5X/6200370	1V5650	Block, terminal	20	—	C	FN1/71
5CY/5311	B.T.H. LGA/12/B1	Circuit, breaker	3	—	A	FN1/72
5CY/4376489	B.T.H. LGA/35/B1	Circuit, breaker	3	—	A	FN1/73
		COVER, GROUP (V10642)		—		FN1/74
		(For spares—See page FN.16)				
	8V7685	FUSE, BOARD, GROUP	1	—		FN1/75
		Spares for:—				
	14V7685	Bus-Bar (Mod. 2047)	1	—		FN1/76
	15V7685	Bus-Bar (Mod. 2047)	1	—		FN1/77
	6V7685	Fuse, board	1	Y227		FN1/78
	14V7357	Holder, fuse	6	—	MR	FN1/79
	29SS6004	Label	1	DTD213		
7643	INSULOID No. 1	Nut, cap 1/4" U.N.F.	6	—	C	FN1/80
	15V7357	Pedestal	6	—	MR	FN1/81
	16V7357	Pedestal	6	—	MR	FN1/82
	1V11882	LOOM, CABLE, GROUP (Mod. 1745)	1	—		
5X/1059338	—	Link, 4 way (Mod. 1745)	1	—	C	
5X/1042903	—	Link, 8 way (Mod. 1745)	1	—	C	
5X/1059340	—	Link, 12 way	2	—	C	
	2V7685	PANEL, 26P, LESS EQUIPMENT, GRP.	1	—		FN1/83
		Spares for:—				
	11V7685	Label	1	—		
	12V7685	Label	1	—		
28FP/9425767	S5/200	Spring, Dzus	5	—	C	FN1/84
5X/4500053	—	Socket	50	—	C	
5X/4491487	14V5650	Socket, double	2	—	C	
5X/4491488	15V5650	Socket, single	45	—	C	FN1/85
28W/1097257	B & C 1906/1	Washer, shakeproof	27	—	C	

ELECTRICAL INSTALLATION
POWER COMPARTMENT

Ref. No.	Part No.	Description	No. off	Matl. Spec.	Cl. of	Plate and Illust'n No.
					St. M.R.	
		1 2 3 4				
		ELECTRICAL INSTALLATION IN POWER COMPARTMENT (V9488), (V11150) (Cont'd)				
		PANELS, P.F.C. CONTACTOR AND PUMP RELAY, 40P, PORT, 41P, STARBOARD (1 & 2V7719)		-		FN2/86
		Spares for:-				
	19V7719	Angle (Mod. 1452)	1	-		
5X/6200370	1V5650	Block, terminal	2	-	C	FN2/87
5X/4491769	1V7870	Block, terminal	2	-	C	FN2/88
	20V7719	Bus-Bar	1	-		FN2/89
	21V7719	Bus-Bar	1	-		FN2/90
	22V7719	Bus-Bar	1	-		FN2/91
	B.T.H. 5CW/6863	Contactor (Mod. 943)	5	-	A	FN2/92
	1V8001	LOOM, CABLE, 40P, GROUP	1	-		
	1V8003	LOOM, CABLE, 41P, GROUP	1	-		
	10V7719	PANEL, 40P, LESS WIRING, GROUP	1	-		FN2/93
	11V7719	PANEL, 41P, LESS WIRING, GROUP	1	-		
	3V7719	Spares for:- PANEL, 40P, C/W LABELS, GROUP	1	-		
	12V7719	PANEL, 41P, C/W LABELS, GROUP	1	-		
10CV/0005101	B.T.H. GJ5/M PLESSEY	Rectifier (Mod. 1452)	9	-	B	FN2/95
5CW/4400161	7CZ/105411/1 ROTAX	Relay, 4 pole	12	-	A	FN2/96
5CW/4405394	D8186 ROTAX	Switch, time delay (Mod. 1320)	1	-	A	FN2/97
5CW/4405395	D8187 ROTAX	Switch, time delay, port (Mod. 1320)	1	-	A	FN2/98
	D10705	Timer, sequence (Mod. 1320)	1	-		FN2/99
	1V8032	PANEL, 58P, No. 1 ALTERNATOR POWER AND DISTRIBUTION, GROUP	1	-		FN2/100
	2V8032	PANEL, 59P, No. 2 ALTERNATOR POWER AND DISTRIBUTION, GROUP	1	-		FN2/101
	3V8032	PANEL, 60P, No. 3 ALTERNATOR POWER AND DISTRIBUTION, GROUP	1	-		FN2/102

VULCAN Mk. 2

ELECTRICAL INSTALLATION
POWER COMPARTMENT

Page FN. 23

Ref. No.	Part No.	Description	No. off	Matl. Spec.	Cl. of St.	Plate and Illust'n No.
					M.R.	
		1 2 3 4				
		PANELS, 58P, 59P, 60P & 61P (Cont'd)				
	4V8032	PANEL, 61P, No. 4 ALTERNATOR POWER AND DISTRIBUTION, GROUP	1	—		FN2/103
		Spares for:—				
7694	6V8032	Connector, braid to bus-bars	1	—	C	
7695	7V8032	Connector, braid to bus-bars	1	—	C	
	8V8032	Connector, braid to bus-bars	1	—	MR	
7697	9V8032	Connector, braid to bus-bars	1	—	C	
	10V8032	Connector, braid to bus-bars	1	—	MR	
7699	11V8032	Connector, braid to bus-bars	1	—	C	
	17V8032	Cover (Mod. 1745)	1	—		FN2/106
	1V7357	FUSEBOARD, RED PHASE, No. 1, GRP. ...	1	—		FN2/107
	2V7357	FUSEBOARD, YELLOW PHASE, No. 1, ... GROUP	1	—		FN2/108
	3V7357	FUSEBOARD, BLUE PHASE, No. 1, ... GROUP	1	—		FN2/109
	4V7357	FUSEBOARD, RED PHASE, No. 2, GRP. ...	1	—		FN2/110
	5V7357	FUSEBOARD, YELLOW PHASE, No. 2, ... GROUP	1	—		FN2/111
	6V7357	FUSEBOARD, BLUE PHASE, No. 2, ... GROUP	1	—		FN2/112
	7V7357	FUSEBOARD, RED PHASE, No. 3, GRP. ...	1	—		FN2/113
	8V7357	FUSEBOARD, YELLOW PHASE, No. 3, ... GROUP	1	—		FN2/114
	9V7357	FUSEBOARD, BLUE PHASE, No. 3, ... GROUP	1	—		FN2/115
	10V7357	FUSEBOARD, RED PHASE, No. 4, GRP. ...	1	—		FN2/116
	11V7357	FUSEBOARD, YELLOW PHASE, No. 4, ... GROUP	1	—		FN2/117
	12V7357	FUSEBOARD, BLUE PHASE, No. 4, ... GROUP	1	—		FN2/118
		Spares for:—				
7701	17V7357	Bus-bar	2	—	MR	FN2/119
	18V7357	Bus-bar	1	—	C	FN2/120
	14V7357	Fuseholder	16	—	MR	FN2/121
10H/21788	E.L.E. Co. 2444A	Fuseholder	12	—	C	
7643	INSULOID No. 1	Nut, cap, 1/4" U.N.F.	32	—	C	
	15V7357	Pedestal	30	—	MR	FN2/122
	16V7357	Pedestal	2	—	MR	FN2/123
5UB/4342772	—	Transformer, current	1	—	A	FN2/124
	—	Switch, magnetic (Pre-Mod. 975)	2	—		FN2/104
5CW/4400312	—	Switch, magnetic (Mod. 975)	2	—	B	FN2/105

ELECTRICAL INSTALLATION

POWER COMPARTMENT

Ref. No.	Part No.	Description	No. off	Mati. Spec.	Cl. of St.	Plate and Illust'n No.
					M.R.	
		1 2 3 4				
		PANELS, 58P, 59P, 60P AND 61P (1, 2, 3 AND 4V8032) (Cont'd.)				
7643	1V10623	LOOM, CABLE, 58P, GROUP (Mod. 1745) ...	1	—		
	1V10624	LOOM, CABLE, 59P, GROUP (Mod. 1745) ...	1	—		
	1V10625	LOOM, CABLE, 60P, GROUP (Mod. 1745) ...	1	—		
	1V10626	LOOM, CABLE, 61P, GROUP (Mod. 1745) ...	1	—		
	No. 1	NUT, cap, 1/4" U.N.F.	6	—	C	
	1V7864	PANEL, LESS EQUIPMENT, GROUP	1	—		FN2/125
		Spares for:—				
	455SS6030	Label	1	—		
	18V8032	PANEL, NEON LAMP MOUNTING,	2	—		FN2/126
		GROUP (Mod. 736)				
		Spares for:—				
	HIVAC					
	CC10L	Filament	1	—	B	
5CX/6362199	947SS6001	Label, live bus bars	1	DTD213		
	18bV8032	Lampholder	1	—	B	FN2/127
	14V6329	Mounting, resistance	1	—		FN2/128
10W/0216096	—	Resistor (Welwyn)	1	—	C	FN2/129
	ROSS					
	COURTNEY					
	397	Tag, terminal	2	—		
5CZ/4335750	BERCO					
	VO/30/33	Resistor, 33 ohms	2	—	B	FN2/130
	PLESSEY					
5CW/4400612	7CZ103739/2	Relay	2	—	A	FN2/131
		PANEL, A.P.U., G.P.U. FUSE PANEL 29P,	—	—		FN3/132
		A.C. SYSTEM (1V7704)				
		Spares for:—				
	1V11486	LOOM, CABLE, GROUP (Mod. 1745)	1	—		
	2V7704	PANEL, 29P, LESS WIRING, GROUP	1	—		FN3/133
		Spares for:—				
5CW/4400312	—	Circuit breaker (Pre-Mod. 975)	3	—		FN3/134
5CZ/4335526	—	Circuit breaker (Mod. 975)	3	—	B	FN3/135
5CZ/1057758	—	Cover, terminal	6	—	C	FN3/136
	—	Cover, terminal "Rotax"	6	—	C	FN3/137
	1V6429	FUSEBOARD, RED, GROUP	1	—		FN3/138
	2V7429	FUSEBOARD, YELLOW, GROUP	1	—		FN3/139
	3V7429	FUSEBOARD, BLUE, GROUP	1	—		FN3/140
		Spares for:—				
	6V7429	Bus-bar, 3/4" x 1-3/4"	1	BSS899		FN3/141
	8V7429	Bus-bar, 10-1/4" x 3"	1	BSS899		FN3/142
	17V7357	Bus-bar, 3/4" x 2-3/4"	1	BSS899	MR	FN3/142A
10H/24209	50.II.T	Fuse, 50 amp. special, size 2	2	—	C	FN3/143
10H/0590109	—	Fuse, lamp	2	—	C	FN3/144
	E.L.E. Co.					
	2444A	Fuseholder	2	—	C	FN3/145
10H/21788	14V7357	Fuseholder, E.L.E. type	9	—	MR	FN3/146
	15V7357	Pedestal	15	—	MR	FN3/147
	16V7357	Pedestal	3	—	MR	FN3/148

VULCAN Mk. 2

ELECTRICAL INSTALLATION

Page FN. 25

POWER COMPARTMENT

Ref. No.	Part No.	Description	No. off	Matl. Spec.	Cl. of St.	Plate and Illust'n No.
					M.R.	
		1 2 3 4				
		PANEL, 29P, LESS WIRING (2V7704) (Cont'd.)				
	947704	INSULATOR, GROUP	1	—		FN4/149
		Spares for:—				
	14SS6003	Label, "14"	1	L59		
	15SS6003	Label, "15"	1	L59		
	297SS6005	Label, "G.P.U."	1	L59		
	300SS6005	Label, "R.A.T."	1	L59		
		PANEL, GROUND CONNECTION,				FN4/150
		(1V11410) (Mod. 1417)				
		Spares for:—				
12898	20V11410	DOOR, GROUP (Mod. 1836)	1	—	B	FN4/151
		Spares for:—				
11632	23fD12159	Bolt, shoot	1	—	C	
	19aV11410	Bracket	1	S510		
	19bV11410	Bracket	1	S510		
	23eD12159	Housing	1	L65		
	23gD12159	Plate, operating	1	S96		
	147SS4700	Spring	1	—		
11637	17V11410	HOUSING, SPRING, GROUP	1	—	B	FN4/152
		Consisting of:—				
	17bV11410	Cap, end	1	S61		
	17dV11410	Collar	1	S61		
	17aV11410	Housing	1	S61		
	17eV11410	Nut, lock (make from A27/UT)	1	—	C	
28M/1006473	A27/CT	Nut	1	—	C	
	17cV11410	Plunger	1	S61		
	5Z7759	Spring	1	—		
21970	3V11410	PANEL, MOUNTING, GROUP	1	—	C	FN4/153
		Spares for:—				
	19SS6002	Label	1	—		
	285SS6004	Label	1	—		
	19V9387	Plug, external power, 28V	1	—		FN4/154
		(5CY/1054157)				
5CY/5371	—	Plug	1	—	C	FN4/155
	RELIANCE					
5CY/4376232	2/0307	Plug	1	—	C	FN4/156
5CW/5060	—	Shroud	1	—	C	FN4/157
5CW/9438526	—	Switch (Mod. 2074)	1	—		FN4/158

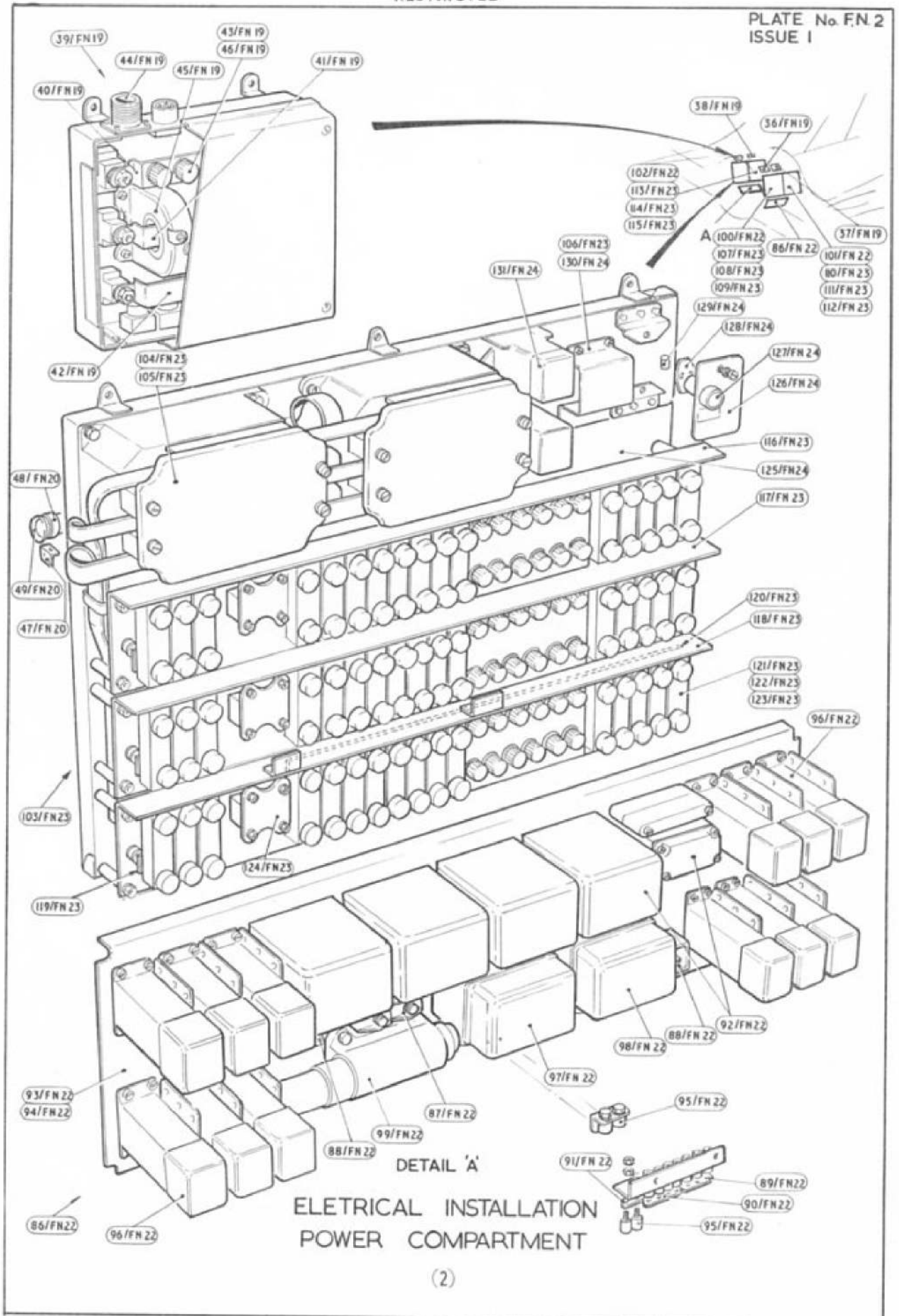
ELECTRICAL INSTALLATION

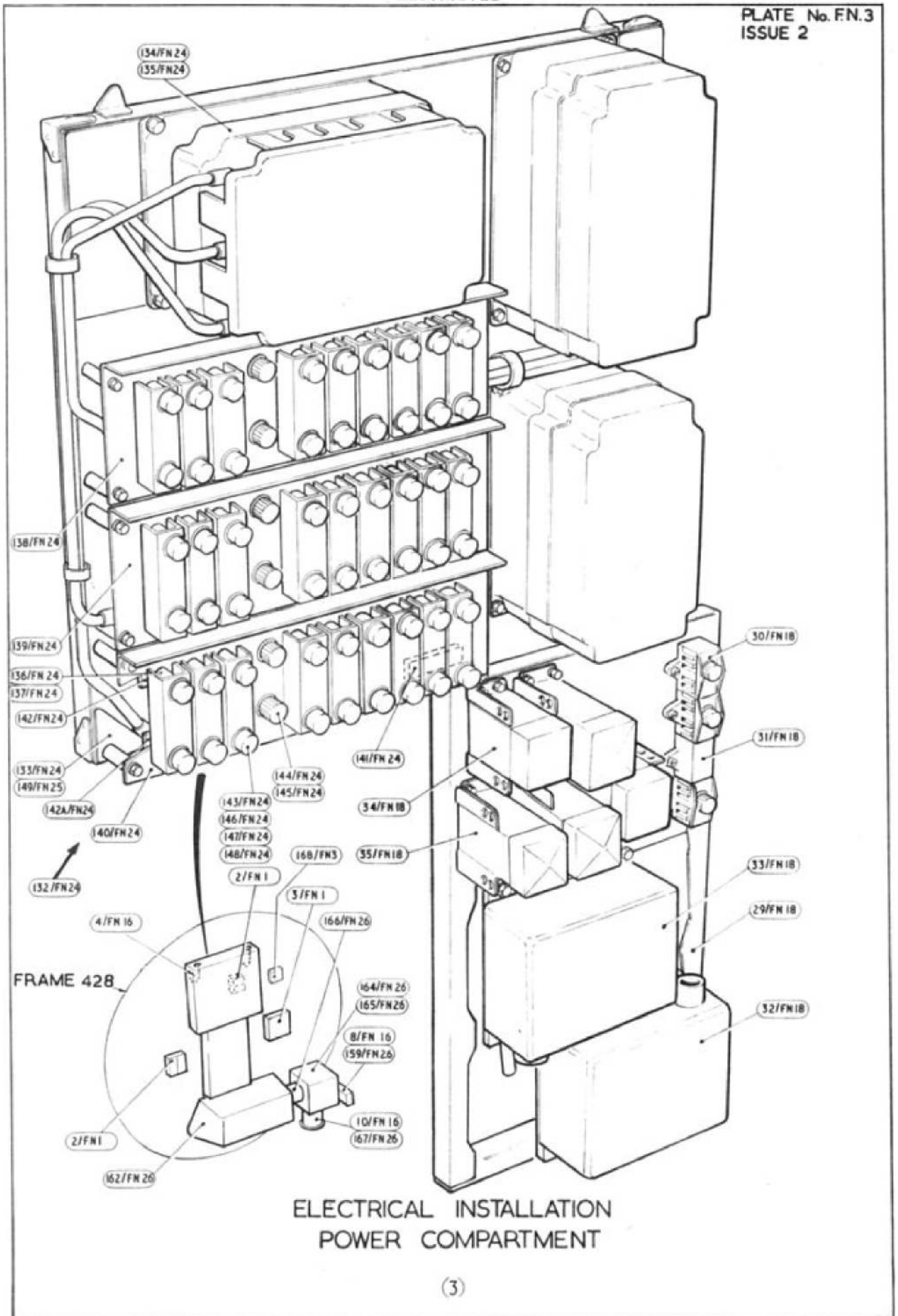
POWER COMPARTMENT

Ref. No.	Part No.	Description	No. off	Matl. Spec.	Cl. of St.	Plate and Illust'n No.
					M.R.	
	5V9488	PLATE, TB, MOUNTING	1	—		
	16V9488	Shroud, relay	24	Vynagel		
	17V9488	Shroud, relay	4	Vynagel		
5X/4491488	15V5650	Socket, single	66	—	C	
5X/4491487	14V5650	Socket, double	2	—	C	
	ROTAX					
5CW/4405094	D6311	Switch, magnetic, type SY No. 2	1	—	A	FN3/159
5CW/1047693	—	Switch, tumbler S/P, E.C.M. earth (Mod. 2428)	1	—		FN4/159A
	1SS4052	Terminal, earth, 2 BA	4	—	MR	FN1/160
	SS4088	Terminal, earth, 5/16" BSF	2	—	MR	FN1/161
	ROTAX					
5UC/4395980	U3306	Unit, control T.R.U. (Mod. 1197)	1	—	A	FN3/162
5CW/1147747	—	Unit, alternator control, type 1Y (Mod. 2211)	4	—	A	FN1/163
	ROTAX					
	U3702/1C	Unit, control (Pre-Mod. 2050)	1	—	A	
5UC/4396010	U3702-3C	Unit, control (Mod. 2050)	1	—	A	FN3/164
	ROTAX					
	U3702/2	Unit, control (Pre-Mod. 2050)	1	—		
5UC/4396010	U3702/3	Unit, control (Mod. 2050)	1	—	A	FN3/165
	ROTAX					
5UD/4390824	CA1301	Unit, blower	1	—	A	FN3/166
	PLANNAIR					
5UD/1095866	3PL182/27/1/ MK3	Unit, blower	1	—	A	FN3/167
5UC/9723101	AE5601	Unit, phase sequence (Mod. 2378)	1	—	A	FN3/168

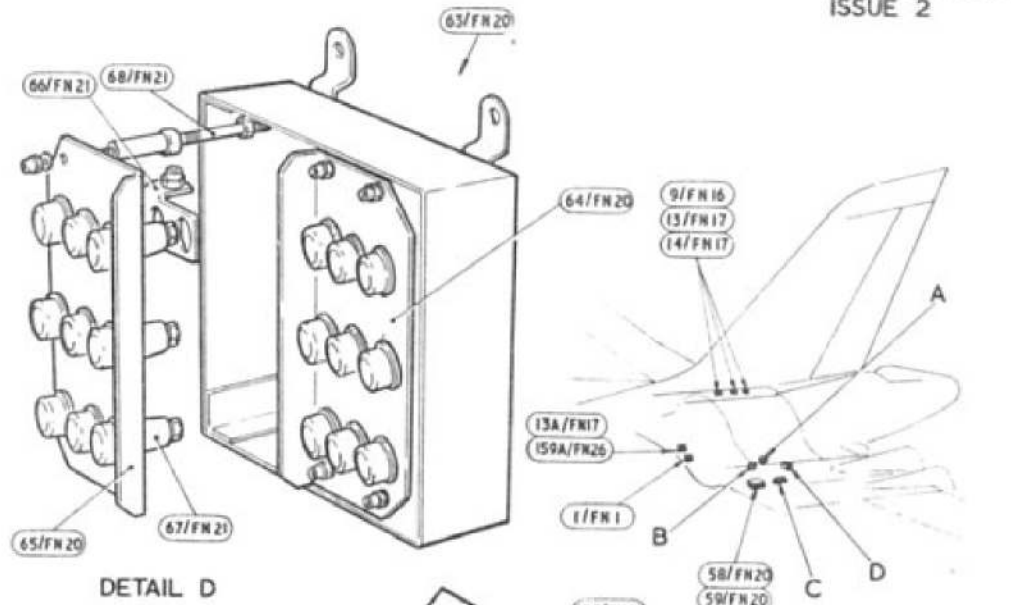
ELECTRICAL INSTALLATION
SUMMARY OF STANDARD ITEMS

Stores Ref.		No. off	Stores Ref.		No. off	Stores Ref.		No. off
Section	Ref. No.		Section	Ref. No.		Section	Ref. No.	
28D	1008147	8	28M	1006504	32	28S	9997545	102
28D	1010658	46	28M	9403517	2	28S	9992997	18
28D	9419452	4	28M	9416046	21	28S	9435713	181
28D	9140638	1	28M	9525224	68	28S	1200047	14
28D	1011006	2	28M	10286	2	28S	1007752	2
28D	1011011	2	28M	1278189	14	28S	1007753	16
28D	1010142	3	28M	1278190	50	28S	1006979	5
28D	9140639	5	28M	10290	6	28S	1006948	4
28D	1212276	40	28M	10326	42	28S	1012450	4
28D	9436920	210	28M	10327	146	28S	9133016	5
28D	9133011	57	28M	9433473	174	28S	9992533	6
28D	9133012	12	28M	7002430	6	28S	1011493	8
28D	1200119	2	28M	7002431	2	28S	9435716	8
28D	7002428	6	28M	9435559	21	28S	1007469	4
28D	1010030	2	28M	9434253	46	28S	1200066	16
28D	1011019	8	28M	11957	56			
28D	9140644	8	28M	9435560	8			
28D	9435710	2	28M	9435066	2			
28D	9419397	2	28M	9434251	39			
28D	9453970	4	28M	9435067	21	28W	9419446	71
28D	1011021	12	28M	9434252	96	28W	9419401	356
28D	1011024	24				28W	9419454	450
28D	1011029	12				28W	9418920	116
28D	1011030	35	28S	9436892	11	28W	9419455	2
28D	1011238	1	28S	1200044	57	28W	9419464	16
28D	1008145	4	28S	9419437	26	28W	9419465	102
28D	1013179	4	28S	1200043	2	28W	9419402	139
28D	1214869	12	28S	1200050	6	28W	9418921	48
28D	1215081	4	28S	1200042	3	28W	9419402	2
28D	1215328	4	28S	1201448	15	28W	9419473	2
28D	1215332	2	28S	9419435	18	28W	9419474	10
28D	9128739	4	28S	9419453	27	28W	9419475	14
28D	1007982	12	28S	1200034	177	28W	9419404	2
28D	1013284	8	28S	1200036	13	28W	1200073	2
28D	9142406	8	28S	1200040	51	28W	1200071	219
			28S	1200033	12	28W	1011232	2
			28S	1005622	2	28W	9128182	10
28FP	9438813	7	28S	1200039	2	28W	1009699	4
28FP	9425771	7	28S	9140642	11	28W	1206041	46
28FP	1201748	7	28S	1200035	5	28W		
			28S	9435912	2			
			28S	9437020	2			
			28S	9131095	19			

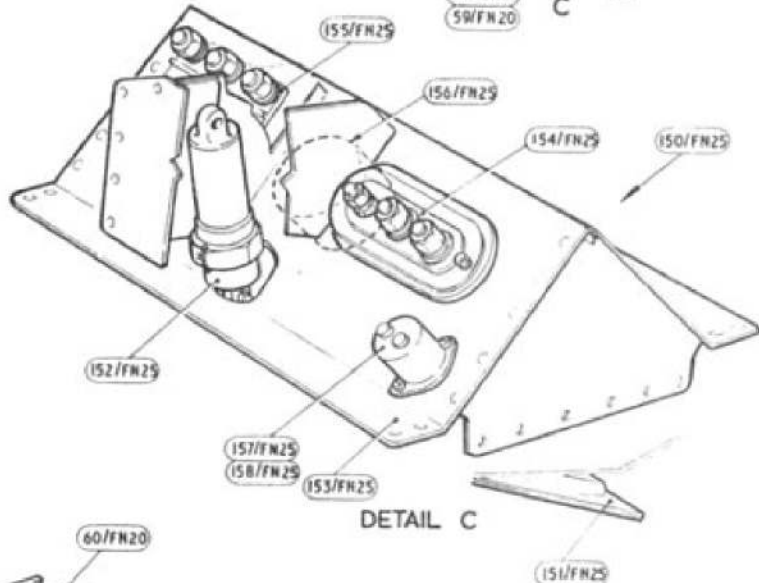




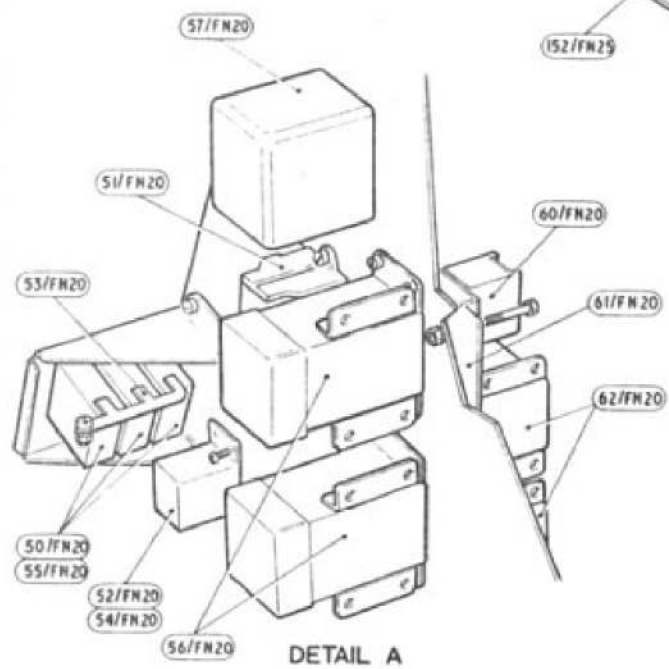
ELECTRICAL INSTALLATION
POWER COMPARTMENT



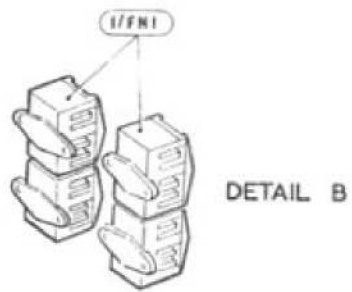
DETAIL D



DETAIL C



DETAIL A



DETAIL B

ELECTRICAL INSTALLATION
POWER COMPARTMENT

This file was downloaded
from the RTFM Library.

Link: www.scottbouch.com/rtfm

Please see site for usage terms,
and more aircraft documents.

