

VULCAN Mk. 2

ELECTRICAL INSTALLATION
REAR PORTION, FUSELAGE

Page FP. 1

Ref. No.	Part No.	Description	No. off	Matl. Spec.	Cl. of St.	Plate and Illust'n No.
					M.R.	
		1 2 3 4				
		ELECTRICAL INSTALLATION IN REAR PORTION FUSELAGE (V8624) (Mod. 569) (Mod. 2304)				
		Spares for:—				
5X/9015491	—	Adaptor, lug, 4-way	6	—	C	
5CZ/4337562	—	Amplifier, type 206 (Mod. 853)	4	—	B	FP2/1
5X/4491775	1V7871	Block, connector	1	—	C	FP1/2
5X/4491769	1V7870	Block, earthing, 12 amp., 12-way	2	—	C	FP2/3
5X/6200370	1V5650	Block, terminal	10	—	C	FP2/4
	10V6354	Bracket	4	—		
22816	11V8493	BLOCK, TERMINAL, GROUP	4	—		FP2/5
		Consisting of:—				
	13V8493	Block, terminal, 2-1/2" x 1" x 1-1/8" d	1	BS2966		
9490	14V8493	Bolt, special	4	S96	C	
9491	15V8493	Connector, terminal, alu-mel	1	—	C	
9492	16V8493	Connector, terminal, chromel	1	—	C	
28M/1006473	A27/CT	Locknut, 2 BAd	4	—	C	
28M/9433473	AGS2002/C1	Nut, stiff, 2BAd	4	—	C	
28W/9419454	SP10/C	Washer, 2 BA	4	—	C	
	21V8493	BLOCK, TERMINAL, GROUP	4	—	MR	FP1/16
		Consisting of:—				
	12V8493	Block, terminal, 2" x 1" x 3/4"	2	BS2966		
28M/1006473	A27/CT	Locknut, 2 BA	2	—	C	
28M/9433473	AGS2002/C1	Nut, stiff, 2 BA	2	—	C	
28S/9436921	A31/C28	Screw, Ch. hd., 2 BA	4	—	C	
28W/9419454	SP10/C	Washer, 2 BA	4	—	C	
	1V9573	BOX, JUNCTION, AFT OF FORMER 442.5, PORT, GROUP	1	—		FP2/7
	2V9573	BOX, JUNCTION, AFT OF FORMER 442.5, STARBOARD, GROUP	1	—		FP2/8
		Spares for:—				
	31SS4204	Bush, ring lock, (Pre-Mod. 2449)	1	—		
26DL/6010020	51SS5302	Bush, ring lock, (Mod. 2449)	1	—	C	
9579	8V9573	LID, BOX, GROUP	1	—	B	FP2/9
		Spares for:—				
28FP/9144248	A4/25	Fastener, dzus	2	—	C	
28FP/9430915	GA4/250	Grommet, dzus	2	—	C	
9580	3V9573	Panel, fibreglass	1	—	C	
28FP/9430916	S4/200	Spring, dzus	1	—	C	
	24V8493	BRACKET, MOUNTING, No. 3 & No. 4 AMPLIFIERS, ON AFT FACE OF FORMER 428", GROUP	1	—		FP2/10
	25V8493	BRACKET, MOUNTING, No. 2 AMPLIFIER, ON AFT FACE OF FORMER 428", GROUP	1	—		FP2/11
	26V8493	BRACKET, MOUNTING, No. 1 AMPLIFIER, ON AFT FACE OF FORMER 428", GROUP	1	—		FP2/12
	28V8624	Bracket (Mod. 2308)	3	DTD527		
	29V8624	Bracket (Mod. 2308)	1	DTD527		

ELECTRICAL INSTALLATION
REAR PORTION, FUSELAGE

Ref. No.	Part No.	Description	No. off	Matl. Spec.	Cl. of	Plate and Illust'n No.
					St. M.R.	
		1 2 3 4				
	994V7909	CABLE (F994), No. 1 AMPLIFIER TO TB's 1122 & 1144, GROUP	1	-		
	996V7909	CABLE (F996), No. 3 AMPLIFIER TO TB's 1144 & 1149, GROUP	1	-		
	997V7909	CABLE (F997), No. 4 AMPLIFIER TO TB's 1144 & 1149, GROUP	1	-		
	1706V7909	CABLE (F1706), CONDENSER TO AUX. RUDDER MOTOR, GROUP	1	-		
	1707V7900	CABLE (F1707), CONDENSER TO MAIN RUDDER MOTOR, GROUP	1	-		
	2287V7909	CABLE (F2287), RELAY 491 TO TB.1149, GROUP	1	-		
	2288V7909	CABLE (F2288), RELAY 492 TO TB.1149, GROUP	1	-		
	2401V7909	CABLE (F2401), 14P TO 58P, GROUP	1	-		
	2402V7909	CABLE (F2402), 14P TO 59P, GROUP	1	-		
	2403V7909	CABLE (F2403), 14P TO 16P, GROUP	1	-		
	2404V7909	CABLE (F2404), 44P TO 60P, GROUP	1	-		
	2430V7909	CABLE (F2430), 44P TO 60P, GROUP	1	-		
	2431V7909	CABLE (F2431), 44P TO 59P, GROUP	1	-		
	2592V7909	CABLE (F2592), 26P TO 84P, GROUP	1	-		
	2657V7909	CABLE (F2657), MAIN RUDDER MOTOR TO TB 750, GROUP	1	-		
	2808V7909	CABLE (F2808), 44P TO 59P, GROUP	1	-		
	2869V7909	CABLE (F2869), 14P TO 44P, GROUP	1	-		
	3351V7909	CABLE (F3351), LAMP 20 TO LAMP 21, GROUP	1	-		
	3352V7909	CABLE (F3352), LAMP 21 TO LAMP 22, GROUP	1	-		
	3353V7909	CABLE (F3353), LAMP 22 TO LAMP 23, GROUP	1	-		
	3355V7909	CABLE (F3355), LAMP 19 TO LAMP 20, GROUP	1	-		
	3377V7909	CABLE (F3377), LAMP 23 to LAMP 24, GROUP (Mod. 1137)	1	-		

VULCAN Mk. 2

ELECTRICAL INSTALLATION
REAR PORTION, FUSELAGE

Page FP. 3

Ref. No.	Part No.	Description	No. off	Matl. Spec.	Cl. of	Plate and Illust'n No.
					St. M.R.	
		1 2 3 4				
	3378V7909	CABLE (F3378), LAMP 24 TO EARTH, GROUP (Mod. 1137)	1	—		
	3393V7909	CABLE (F3393), TAIL SCANNER TO RELAY 546, GROUP	1	—		
	3394V7909	CABLE (F3394), ACTUATOR TO RELAY 546 & EARTH, GROUP	1	—		
	3395V7909	CABLE (F3395), 44P TO EARTH, GROUP	1	—		
	8475V7909	CABLE (F3397), 26P TO TB. 1137, GROUP ...	1	—		
	3424V7909	CABLE (F3424), TEMPERATURE BULB TO TB. 1337, GROUP (Mod. 1451)	1	—		
	3426V7909	CABLE (F3426), 44P TO LOW TEMP. SWITCH, GROUP	1	—		
	3427V7909	CABLE (F3427), FREON UNIT TO EARTH, ... GROUP (Mod. 900)	1	—		
	3435V7909	CABLE (F3435), 44P TO TB. 1336, GROUP ...	1	—		
	3578V7909	CABLE (F3578), COCKING SWITCH TO JETTISON HOOKS SWITCH, GROUP	1	—		
	3579V7909	CABLE (F3579), COCKING SWITCH TO DOOR SWITCH, GROUP	1	—		
	3580V7909	CABLE (F3580), COCKING SWITCH TO 84P, GROUP	1	—		
	3584V7909	CABLE (F3584), No. 2 JETT. ACTUATOR TO 84P AND DOOR SWITCH, GROUP	1	—		
	3587V7909	CABLE (F3587), DOOR MICRO SWITCH TO 84P, GROUP	1	—		
	3592V7909	CABLE (F3592), No. 1 ACTUATOR TO TB. 881, GROUP	1	—		
	3593V7909	CABLE (F3593), No. 2 ACTUATOR TO TB. 882, GROUP	1	—		
	3658V7909	CABLE (F3658), TB. 1337 TO EARTH, GROUP (Mod. 1451)	1	—		
	3766V7909	CABLE (F3766), P26 TO MICRO SWITCH, GROUP (Mod. 1583)	1	—		
	3767V7909	CABLE (F3767), P26 TO MICRO SWITCH, GROUP (Mod. 1583)	1	—		
	7432V7909	CABLE (F451), TB. 617 TO DOWNWARD IDENT LAMP, GROUP	1	—		
	7433V7909	CABLE (F452), TB. 617 TO UPPER IDENT ... LAMP, GROUP	1	—		

ELECTRICAL INSTALLATION
REAR PORTION, FUSELAGE

Ref. No.	Part No.	Description	No. off	Matl. Spec.	Cl. of St.	Plate and Illust'n No.
					M.R.	
		1 2 3 4				
	7436V7909	CABLE (F1269), RELAY 54 TO CONDENSER, GROUP	1	—		
	7437V7909	CABLE (F1270), RELAY 53 TO CONDENSER, GROUP	1	—		
	7441V7909	CABLE (F1122), No. 3 LAMP TO No. 9 LAMP, GROUP	1	—		
	7442V7909	CABLE (F1123), No. 3 LAMP TO EARTH, GROUP	1	—		
1433410	7447V7909	CABLE (F1754), GROUP (Pre-Mod. 2253)	1	—	C	
1505363	9880V7909	CABLE (F1754), No. 1 J.P.T. RESISTOR TO . . J.B., GROUP (Mod. 2253)	1	—	C	
	7448V7909	CABLE (F1755), GROUP (Pre-Mod. 2253)	1	—	MR	
1505364	9881V7909	CABLE (F1755), No. 2 J.P.T. RESISTOR TO . . J.B., GROUP (Mod. 2253)	1	—	C	
1433409	7449V7909	CABLE (F1756), GROUP (Pre-Mod. 2253)	1	—	C	
	9882V7909	CABLE (F1756), No. 3 J.P.T. RESISTOR TO . . J.B., GROUP (Mod. 2253)	1	—		
11996	7450V7909	CABLE (F1757), GROUP (Pre-Mod. 2253)	1	—	C	
1505366	9883V7909	CABLE (F1757), No. 4 J.P.T. RESISTOR TO . . J.B., GROUP (Mod. 2253)	1	—	C	
	7451V7909	CABLE (F2552), TB.600 TO TB.1592, GROUP .	1	—		
	7452V7909	CABLE (F2556), J.B. TO TB. 1593, GROUP . . . (Pre-Mod. 2253)	1	—	MR	
	9916V7909	CABLE, GROUP (Mod. 2253)	1	—	MR	
1505065	7454V7909	CABLE (F965), No. 1 AMPLIFIER TO J.B., . . . GROUP	1	—	C	
	7456V7909	CABLE (F2553), TB. 600 TO TB. 1594, GROUP	1	—		
	7457V7909	CABLE (F2557), J.B. TO TB. 1595, GROUP . . . (Pre-Mod. 2253)	1	—	MR	
	9917V7909	CABLE, GROUP (Mod. 2253)	1	—	MR	
1505066	7459V7909	CABLE (F951), No. 2 AMPLIFIER TO J.B., . . . GROUP	1	—	C	
	7460V7909	CABLE (F1751), TB.22 TO EARTH, GROUP . .	1	—		

VULCAN Mk. 2

ELECTRICAL INSTALLATION
REAR PORTION, FUSELAGE

Page FP. 5

Ref. No.	Part No.	Description	No. off	Matl. Spec.	Cl. of St.	Plate and Illust'n No.
					M.R.	
		1 2 3 4				
	7462V7909	CABLE (F2554), TB.599 TO TB.1596, GROUP .	1	—		
	7463V7909	CABLE (F2558), J.B. TO TB.1597, GROUP (Pre-Mod. 2253)	1	—	MR	
	9918V7909	CABLE, GROUP (Mod. 2253)	1	—	MR	
	7465V7909	CABLE (F2120), No. 3 AMPLIFIER TO J.B., . . GROUP	1	—	MR	
	7467V7909	CABLE (F2555), TB.599 TO TB.1598, GROUP .	1	—		
	7468V7909	CABLE (F2559), J.B. TO TB.1599, GROUP (Pre-Mod. 2253)	1	—	MR	
	9919V7909	CABLE, GROUP (Mod. 2253)	1	—	MR	
	7470V7909	CABLE (F971), No. 4 AMPLIFIER TO J.B., . . . GROUP	1	—	MR	
	7471V7909	CABLE (F2152), TB.1149 TO EARTH, GROUP	1	—		
	7474V7909	CABLE (F960), No. 3 AMPLIFIER TO No. 3 . . . RESISTOR AND RELAY 492, GROUP	1	—		
	7475V7909	CABLE (F963), No. 1 AMPLIFIER TO No. 1 . . . RESISTOR AND RELAY 491, GROUP	1	—		
	7476V7909	CABLE (F970), No. 4 AMPLIFIER TO No. 4 . . . RESISTOR AND RELAY 491, GROUP	1	—		
	7478V7909	CABLE (F2272), TB.1148 TO No. 1 RESISTOR, GROUP	1	—		
	7479V7909	CABLE (F2273), No. 4 RESISTOR TO RELAY . 491, GROUP	1	—		
	7480V7909	CABLE (F2276), No. 4 RESISTOR TO TB.1148, GROUP	1	—		
	7482V7909	CABLE (F2280), No. 1 RESISTOR TO TB.1148, GROUP	1	—		
	7483V7909	CABLE (F2281), RELAY 492 TO No. 4 RESISTOR, GROUP	1	—		
	7484V7909	CABLE (F2284), TB.1148 TO No. 3 RESISTOR, GROUP	1	—		
	7485V7909	CABLE (F774), 26P TO RUDDER, GROUP	1	—		

ELECTRICAL INSTALLATION
REAR PORTION, FUSELAGE

Ref. No.	Part No.	Description	No. off	Matl. Spec.	Cl. of St.	Plate and Illust'n No.
					M.R.	
		1 2 3 4				
	7696V7909	CABLE (F952), No. 2 AMPLIFIER TO No. 2 ... RESISTOR AND RELAY 492, GROUP	1	-		
	7698V7909	CABLE (F995), No. 2 AMPLIFIER TO TB's ... 122 AND 1144, GROUP	1	-		
9874	7846V7909	CABLE (F2544), TB.1593 TO TB's AND 4 GROUP (Pre-Mod. 2308)	1	-	C	
1510563	4170V7909	CABLE (F4170), TB.1593, No. 1 JET PIPE BAY, GROUP (Mod. 2308)	1	-	C	
9875	7847V7909	CABLE (F2545), TB.1595 TO TB's 3 AND 4 ... GROUP (Pre-Mod. 2308)	1	-	C	
	4171V7909	CABLE (F4171), TB.1595, No. 2 JET PIPE BAY GROUP (Mod. 2308)	1	-	MR	
9876	7848V7909	CABLE (F2546), TB.1597 TO TB's 3 AND 4, .. GROUP (Pre-Mod. 2308)	1	-	C	
1510565	4172V7909	CABLE (F4172), TB.1597, No. 3 JET PIPE BAY, GROUP (Mod. 2308)	1	-	C	
9877	7849V7909	CABLE (F2547), TB.1599 TO TB's 3 AND 4, .. GROUP (Pre-Mod. 2308)	1	-	C	
	4173V7909	CABLE (F4173), TB.1599, No. 4 JET PIPE BAY, GROUP (Mod. 2308)	1	-	MR	
	7950V7909	CABLE (F3583), TB.882 TO 84P, GROUP	1	-		
	7990V7909	CABLE (F3433), 44P TO TB.878, GROUP	1	-		
	7991V7909	CABLE (F3439), 44P TO TB.879, GROUP	1	-		
	7995V7909	CABLE (F2444), 23P TO TB.879, GROUP	1	-		
	8007V7909	CABLE (F3585), 84P TO EARTH, GROUP	1	-		
	8056V7909	CABLE (F1758), No. 1 SERVO POTENTIO- ... METER TO 26P, TB.1575 AND EARTH, GROUP	1	-		
	8057V7909	CABLE (F1759), No. 2 SERVO POTENTIO- ... METER TO 26P, TB.1575 AND EARTH, GROUP	1	-		
	8058V7909	CABLE (F1760), No. 3 SERVO POTENTIO- ... METER TO 26P, TB.1573 AND EARTH, GROUP	1	-		
	8059V7909	CABLE (F1761), No. 4 SERVO POTENTIO- ... METER TO 26P, TB.1573 AND EARTH, GROUP	1	-		

VULCAN Mk. 2

ELECTRICAL INSTALLATION
REAR PORTION, FUSELAGE

Ref. No.	Part No.	Description	No. off	Mati. Spec.	Cl. of St.	Plate and Illust'n No.
					M.R.	
		1 2 3 4				
	8061V7909	CABLE (F945), No. 2 AMPLIFIER TO TB's 122 AND 1572, GROUP	1	-		
	8063V7909	CABLE (F947), No. 4 AMPLIFIER TO TB's 1149 AND 1574, GROUP	1	-		
	8064V7909	CABLE (F948), No. 3 AMPLIFIER TO TB's 1149 AND 1574, GROUP	1	-		
	8145V7909	CABLE (F3356), RELAY 546 TO EARTH, GROUP	1	-		
	8146V7909	CABLE (F3581), TB.881 TO 84P, GROUP	1	-		
	8148V7909	CABLE (F3436), TB.1336 TO PRESSURE SWITCH, GROUP	1	-		
	8149V7909	CABLE (F3590), No. 2 DOOR MICRO-SWITCH TO 84P, GROUP	1	-		
	8150V7909	CABLE (F3591), SHACKLE MICRO-SWITCH TO 84P, GROUP	1	-		
	8159V7909	CABLE (F3588), DOOR HOOK MICRO-SWITCH TO JETT. HOOK MICRO-SWITCH, GROUP	1	-		
	8178V7909	CABLE (F966), No. 1 TEST PLUG TO RESISTOR, TB.600, J.B. AND EARTH, GROUP (Pre-Mod. 2253)	1	-		
	9912V7909	CABLE, GROUP (Mod. 2253)	1	-		
	8179V7909	CABLE (F953), No. 2 TEST PLUG TO RESISTOR, TB.700, J.B. AND EARTH, GROUP (Pre-Mod. 2253)	1	-		
	9913V7909	CABLE, GROUP (Mod. 2253)	1	-		
	8180V7909	CABLE (F959), No. 3 TEST PLUG TO RESISTOR, TB.599 AND J.B., GROUP (Pre-Mod. 2253)	1	-		
	9914V7909	CABLE, GROUP (Mod. 2253)	1	-		
	8181V7909	CABLE (F973), No. 4 TEST PLUG TO RESISTOR, TB.599, J.B. AND EARTH, GROUP (Pre-Mod. 2253)	1	-		
	9915V7909	CABLE, GROUP (Mod. 2253)	1	-		
	8211V7909	CABLE (F946), No. 1 AMPLIFIER TO TB's 122 AND 157, GROUP	1	-		
	8216V7909	CABLE (F2296), No. 1 RESISTOR TO RELAY 491, GROUP	1	-		

ELECTRICAL INSTALLATION
REAR PORTION, FUSELAGE

Ref. No.	Part No.	Description	No. off	Matl. Spec.	Cl. of St.	Plate and Illust'n No.
					M.R.	
		1 2 3 4				
	8219V7909	CABLE, (F2277), No. 2 RESISTOR TO RELAY 492, GROUP	1	-		
	8243V7909	CABLE, (F3432), No. 2 PUMP TO 44P, GROUP	1	-		
	8244V7909	CABLE, (F3434), No. 1 PUMP TO 44P, GROUP	1	-		
	8248V7909	CABLE, (F3354), LAMP 23 TO EARTH, GROUP	1	-		
	8250V7909	CABLE, (F1121), No. 2 LAMP TO No. 3 LAMP, GROUP	1	-		
	8298V7909	CABLE, (F3586), DOOR MICRO-SWITCH No. 1 TO 84P, GROUP	1	-		
	8299V7909	CABLE, (F3589), JETT. HOOK MICRO- SWITCH TO 84P, GROUP	1	-		
	8430V7909	CABLE, (F3594), PARA. INDICATOR TO 84P, GROUP	1	-		
	9378V7909	CABLE, (F3425), 44P TO FREON UNIT, GROUP (Mod. 1617)	1	-		
	9365V7909	CABLE, (F2400), 26P TO 14P AND 44P, GROUP (Mod. 1617) (Pre-Mod. 2304)	1	-		
	8528V7909	CABLE, (F2658), AUXILIARY RUDDER MOTOR TO TB.750, GROUP	1	-		
	8911V7909	CABLE, (F2429), 59P TO 44P, GROUP (Mod. 1552)	1	-		
	9367V7909	CABLE, (F3442), 44P TO FREON MOTOR, ... GROUP (Mod. 1617)	1	-		
	9936V7909	CABLE, GROUP (Mod. 2304)	1	-		
	4176V7909	CABLE, (F4176), AFT FRAME 487.5" TO 14P EXTENSION PANEL (Mod. 2304)	1	-		
	4177V7909	CABLE, (F4177), AFT FRAME 487.5" TO EXTENSION PANEL (Mod. 2304)	1	-		
	4178V7909	CABLE, (F4178), AFT FRAME 487.5" TO 14P EXTENSION PANEL (Mod. 2304)	1	-		
	4184V7909	CABLE, (F4184), AFT FRAME 487.5" TO 14P EXTENSION PANEL (Mod. 2304)	1	-		

VULCAN ML. 2

ELECTRICAL INSTALLATION

Page FP. 7B

REAR PORTION, FUSELAGE

Ref. No.	Part No.	Description	No. off	Matl. Spec.	Cl. of St.	Plate and Illust'n No.
					M.R.	
		1 2 3 4				
5UD/4388977	CX170465	Capacitor (Mod. 2398)	6	—	C	FP1/18
	AS8672/25	Capping, for trough 25" long	6	—		FP/14
	AS8672/45	Capping, for trough 45" long	4	—		FP/15
1510555	22V8493	CHANNEL, MOUNTING TEMP. CONTROL AMPLIFIERS 3 AND 4, GROUP	2	—	C	FP2/16
	23V8493	CHANNEL, MOUNTING TEMP. CONTROL AMPLIFIERS 1 AND 2, GROUP	4	—		FP2/17
1510562	1SS5816	Clip, elliptical (Mod. 2308)	7	—	C	
26TA/14858	3SS3264	Clip, cable (Pre-Mod. 2449)	2	—	C	
26TA/9765	4SS3264	Clip, cable (Mod. 2449)	2	—	C	
26FP/13135	5SS3264	Clip, cable (Pre-Mod. 2449)	2	—	C	
26FP/13905	7SS3264	Clip, cable (Mod. 2449)	2	—	C	
5CZ/4335794	ROTAX ZA7801	Condenser, between formers 472 and 487 (Pre-Mod. 2398)	4	—	A	FP/18
		CONDUITS TO JET PIPES, PORT AND STARBOARD (1 & 2V8627)				
		Spares for:—				
22822	9SS2868	Clip	3	—	C	
	13SS2868	Clip	4	—	MR	
	3V9287	Conduit, 1" o/d x 24G x 54" long	1	L56		FP1/19
	5V8639	Conduit, 1-1/4" o/d x 24G x 32-1/2" long ..	1	L56		FP1/20
	7V8627	Conduit, 1-1/4" o/d x 24G x 7-1/2" long ...	1	L56		FP/21
5X/7310	—	Connector, in-line	12	—	C	
	51V8061	CONTAINER, CAPACITOR, GROUP	2	—	—	FP1/18A
		(Mod. 2398)				
		Spares for:—				
	51bV8061	Box, mounting	1	—	—	
10H/0119925	—	Fuse, 10 amp.	3	—	C	
10H/0590100	—	Holder, fuse	3	—	C	
28M/1278189	AGS2001/B1	Nut, stiff	4	—	C	
28M/1278190	AGS2001/C1	Nut, stiff	8	—	C	
	4SS4199	Screw, 2 BA	8	—	MR	
28S/1011479	A31/B48	Screw	4	—	C	
28S/1200040	A31/B20	Screw	4	—	C	
	51aV8061	Tray	1	—	—	
	51cV8061	Tray, top	1	—	—	
	51dV8061	Tray, lid, racking	1	—	—	

ELECTRICAL INSTALLATION

REAR PORTION, FUSELAGE

Ref. No.	Part No.	Description	No. off	Matl. Spec.	Cl. of St.	Plate and Illust'n No.
					M.R.	
		1 2 3 4				
5CX/4330015	—	Dome, glass for door lamps	4	—	C	FP1/22 FP1/23 FP1/24
	21V8624	Duct, cable, 24G x 29.4" x 3.5"	4	AVR50		
	20V8493	Fairlead, at former 461.5"	4	S521		
		FUSES IN REAR PORTION FUSELAGE (6V9851)				
		Spares for:—				
10H/0590122	BRUSH 1011T	Fuse, 10 amp, size 2	9	—	B	
10H/0590112	—	Fuse, 5 amp, end-on	15	—	B	
10H/0590113	—	Fuse, 7 amp, end-on	3	—	B	
5L/9952276	—	Filament, 24V, 10W, navigation lamp	2	—	B	FP1/26
5L/9952604	—	Filament, 24V, 8W, downward ident	1	—	B	FP1/27
5L/9953271	—	Filament, 24V, 6W, ground service	2	—	B	FP1/28
5L/9953278	—	Filament, 28V, 18W, door lamp	4	—	B	FP1/29
5CX/4330002	—	Lamp, servicing	2	—	B	FP1/30
		LAMPHOLDER FOR DOOR LAMPS (1V6798)				
		Consisting of:—				
5CX/4330014	2V6798	Cable, unipren 6 x 2" long	1	—	B	FP1/32
	—	Lamp	1	—		
		LIGHT, GROUND SERVICE AT WATER GLYCOL RESERVOIR (V11825) (Mod. 1137)				
		Spares for:—				
11650	4V11825	Bracket	1	—	C	FP1/33
5CX/4059	—	Bracket, lamp	1	—	C	FP1/34
5CX/4330056	—	Cover	1	—	C	FP1/35
5L/9951273	—	Filament, 28V, 3.5W, M.E.S.	1	—	B	FP1/36
5CX/1085825	—	Lamp, instrument, type C	1	—	A	FP1/37
	3V11825	Screen (Made from 5CX/2280)	1	—		FP1/38

VULCAN Mk. 2

ELECTRICAL INSTALLATION

Page FP. 9

REAR PORTION, FUSELAGE

Ref. No.	Part No.	Description	No. off	Matl. Spec.	Cl. of St.	Plate and Illust'n No.
					M.R.	
		1 2 3 4				
		MOUNTING, R.C.M. FUSE PANEL, 14P, PORT (1V8625)				
	1V8631	Spares for:— MOUNTING, PANEL, 14P, GROUP	1	—		
	1V8629	PANEL, FUSE, 14P, GROUP	1	—		FP2/39
5X/6200370 10510	1V5650 3V8629 ENG. ELECT. 2444	Spares for:— Block, terminal	1	—	C	FP2/40
		Busbar, 9" x 4.15" 10G	9	BSS899	C	FP2/41
	ROTAX D6702/2	Carrier, end-on fuse	18	—		FP2/42
5CW/6477 10644	6V9472 14V7357	Contactors	3	—	A	FP2/43
		Cover, contactor	3	Y211	C	FP2/44
		Holder, fuse	9	—	MR	FP2/45
	1V9479	LOOM, CABLE, GROUP	1	—		
	2V8629	PANEL, C/W LABELS, GROUP	1	—		
5X/4491488 11660	15V7357 16V7357 15V5650 36V7357	Pedestal, 200V., 1.65" long	9	—	MR	FP2/46
		Pedestal, 200V., 2" long	9	—	MR	FP2/47
		Socket, single	3	—	C	FP2/48
		Washer, nylon insulation	18	A/100E	C	FP2/49
		MOUNTING, R.C.M. CONTACTOR PANEL, 44P, STARBOARD (V8626)	—	—		
	2V8631	Spares for:— MOUNTING, PANEL, 44P, GROUP	1	—		
	1V10081	PANEL, CONTACTOR, 44P, GROUP	1	—		FP2/50
5X/6200370	1V5650 ROTAX	Spares for:— Block, terminal	2	—	C	FP2/51
5CW/6477 10644	D6702/2 6V9472 7V9472	Contactors 400 C.P.S.	1	—	A	FP2/52
		Cover, contactor	2	Y211	C	FP2/53
		Cover, P.V.C. (Vynatex)	6	Vynagel 577	MR	FP2/54
	1V12112	LOOM, CABLE, GROUP (Mod. 1617)	1	—		
5CW/4400162	4V10081 PLESSEY 7CZ103739/1 PLESSEY	PANEL, C/W LABELS, GROUP	1	—		
		Relay, type 2P.D.T.	2	—	A	FP2/55
5CW/4400161 5X/4491487 5X/4491488	7CZ105411/1 14V5650 15V5650	Relay, 4 P.D.T.	1	—	A	FP2/56
		Socket, double	3	—	C	FP2/57
		Socket, single	4	—	C	FP2/58
5CW/2007871 5CW/4402888	DOWTY C5162Y Mk. 2 —	Switch (Mod. 1071)	1	—	A	FP2/59
		Switch, magnetic, type 3Y, No. 2	1	—	A	FP2/60
5CW/4405094	ROTAX D6311	Switch, magnetic, type 5Y, No. 2	3	—	A	FP2/61
1432695	62V11313 68V11313	Unit, motor overload (Pre-Mod. 2125)	1	—		
		Unit, motor overload (Mod. 2125)	1	—	A	
		alternative for:—				
	V18555-68	Unit, motor overload (Mod. 2125)	1	—		

ELECTRICAL INSTALLATION

REAR PORTION, FUSELAGE

Ref. No.	Part No.	Description	No. off	Matl. Spec.	Cl. of St.	Plate and Illust'n No.
					M.R.	
		1 2 3 4				
	1V9451	MOUNTING, RELAY, RESISTOR AND TERMINAL BLOCK, GROUP (Mod. 545)	1	—		FP2/63
5X/6200370	1V5650	Spares for:— Block, terminal	1	—	C	FP2/64
	2270V7909	CABLE (F2270), RELAY 491 TO RESISTOR, GROUP	1	—		
	2271V7909	CABLE (F2271), TB.1148 TO RESISTOR, GROUP	1	—		
	2274V7909	CABLE (F2274), RELAY 491 to RESISTOR, GROUP	1	—		
	2275V7909	CABLE (F2275), TB.1148 TO RESISTOR, GROUP	1	—		
	2278V7909	CABLE (F2278), RELAY 492 TO RESISTOR, GROUP	1	—		
	2279V7909	CABLE (F2279), TB.1148 TO RESISTOR, GROUP	1	—		
	2282V7909	CABLE (F2282), RELAY 492 TO RESISTOR, GROUP	1	—		
	2283V7909	CABLE (F2283), TB.1148 TO RESISTOR, GROUP	1	—		
	9916V7909	CABLE (F0000), PORT JUNCTION BOX (1V9573) TO No. 1 ENGINE, GROUP (Mod. 2449)	1	—	MR	
6116201	OR 9962V7909	CABLE (F0000), GROUP (Mod. 2449)	1	—	C	
	9919V7909	CABLE (F0000), STBD. JUNCTION BOX (2V9573) TO No. 4 ENGINE, GROUP (Mod. 2449)	1	—	MR	
6116202	OR 9963V7909	CABLE (F0000), GROUP (Mod. 2449)	1	—	C	
5CW/4400162	PLESSEY 7CZ103739/1	Relay, type CH2/CO 28/10	2	—	A	FP2/65
5X/4491488	11V8443	RESISTOR, BANK, GROUP	1	—		FP2/66
	15V5650	Socket, single, 3 tier	4	—	C	FP2/67
		MOUNTING, TERMINAL BLOCK 1572, 1573, 1574 AND 1575 (1 & 2V10013)				FP2/68
5X/6200730	1V5650	Spares for:— Block, terminal	4	—	C	
	3V10013	Plate, mounting	2	—		
5X/4491488	15V5650	Socket, single	8	—	C	

VULCAN Mk. 2

ELECTRICAL INSTALLATION

Page FP.11

REAR PORTION, FUSELAGE

Ref. No.	Part No.	Description	No. off	Matl. Spec.	Cl. of St.	Plate and Illust'n No.
					M.R.	
	3V8624	PANEL, MOUNTING, RESISTORS AND TEST SOCKETS, PORT, GROUP	1	—		FP2/69
	4V8624	PANEL, MOUNTING, RESISTORS AND TEST SOCKETS, STARBOARD, GROUP	1	—		FP2/70
	BAXENDALE No. 287 TERRY No. 169 5BV8443	Spares for:— Chain, 7/16" pitch x 2-5/8" long	1	Brass		
		Ring, split	4	—		
		Ring, chain attachment	2	BS2966/3B		
	5V8624	PANEL, MOUNTING, J.P.T. RESISTORS, PORT, GROUP (Pre-Mod. 2253)	1	—		
	25V8624	PANEL, MOUNTING, J.P.T. RESISTORS, PORT, GROUP (Mod. 2253)	1	—		
	6V8624	PANEL MOUNTING J.P.T. RESISTORS, STARBOARD, GROUP (Pre-Mod. 2253)	1	—		
	26V8624	PANEL MOUNTING J.P.T. RESISTORS, STARBOARD, GROUP (Mod. 2253)	1	—		FP1/13
		PANEL, PARACHUTE RELAY 84P (1V10106) (See Equipment Aircraft—Instrument Panels)				
	1V16831	PANEL, FUSE 14P, EXTENSION, GROUP (Mod. 2304)	1	—		FP2/79
		Spares for:—				
5X/6200370	1V5650	Block, terminals, Nos. TB.1847 and TB.1848	2	—	C	FP2/80
28D/1212803	AS1248/21C	Bolt, mush. hd.	4	—	C	FP2/81
28D/1008149	A25/2B	Bolt, 4 BA hex. hd.	4	—	C	FP2/82
28D/9706373	A25/2A	Bolt, 6 BA hex. hd.	4	—	C	FP2/83
26DL/6012235	1SS5729	Holder, fuse	3	—	C	FP2/84
	1847/V7728	Label	1	—		
	1848/V7728	Label	1	—		
	2V16831	PANEL, C/W LABELS, GROUP	1	—		FP2/85
1510661	3V16831	Panel	1	—	C	FP2/86
	PLESSEY					
5CW/4400161	7CZ105411/1	Relay, 4-pole, type CH4/C020/10	1	—	C	FP2/87
5X/4491487	14V5650	Socket, double	1	—	C	FP2/88
5X/4491488	15V5650	Socket, single	8	—	C	FP2/89
6A/4337745	S144/4/38	Potentiometer, A.C. System (Pre-Mod. 2253)	4	—	A	
		Spares for:—				
6A/4337747	FD1014	Bracket, mounting	1	—	C	
	22V8624	Plate, cover, 24G x 2.5" x 5.8" long	4	AVR50		
	PLESSEY					
5CW/4400162	7CZ/103739/1	Relay, No. 546 at former 141.5	1	—	A	FP1/72
5CZ/6168	—	Resistor, datum setting (Pre-Mod. 906)	4	—	B	
	ULTRA					
6CZ/4340651	ZR/86/CP	Resistor, datum setting (Mod. 2145)	4	—	B	FP2/73
	1V16309	Resistor, for pipe temperature (Mod. 2253) (Pre-Mod. 2473)	4	—	MR	FP1/71
6A/21210	1V19288	Resistor, for pipe temperature (Mod. 2477) ...	4	—	B	
	1V16358	Resistor, for pipe temperature (Mod. 2253) ...	4	—	MR	

ELECTRICAL INSTALLATION

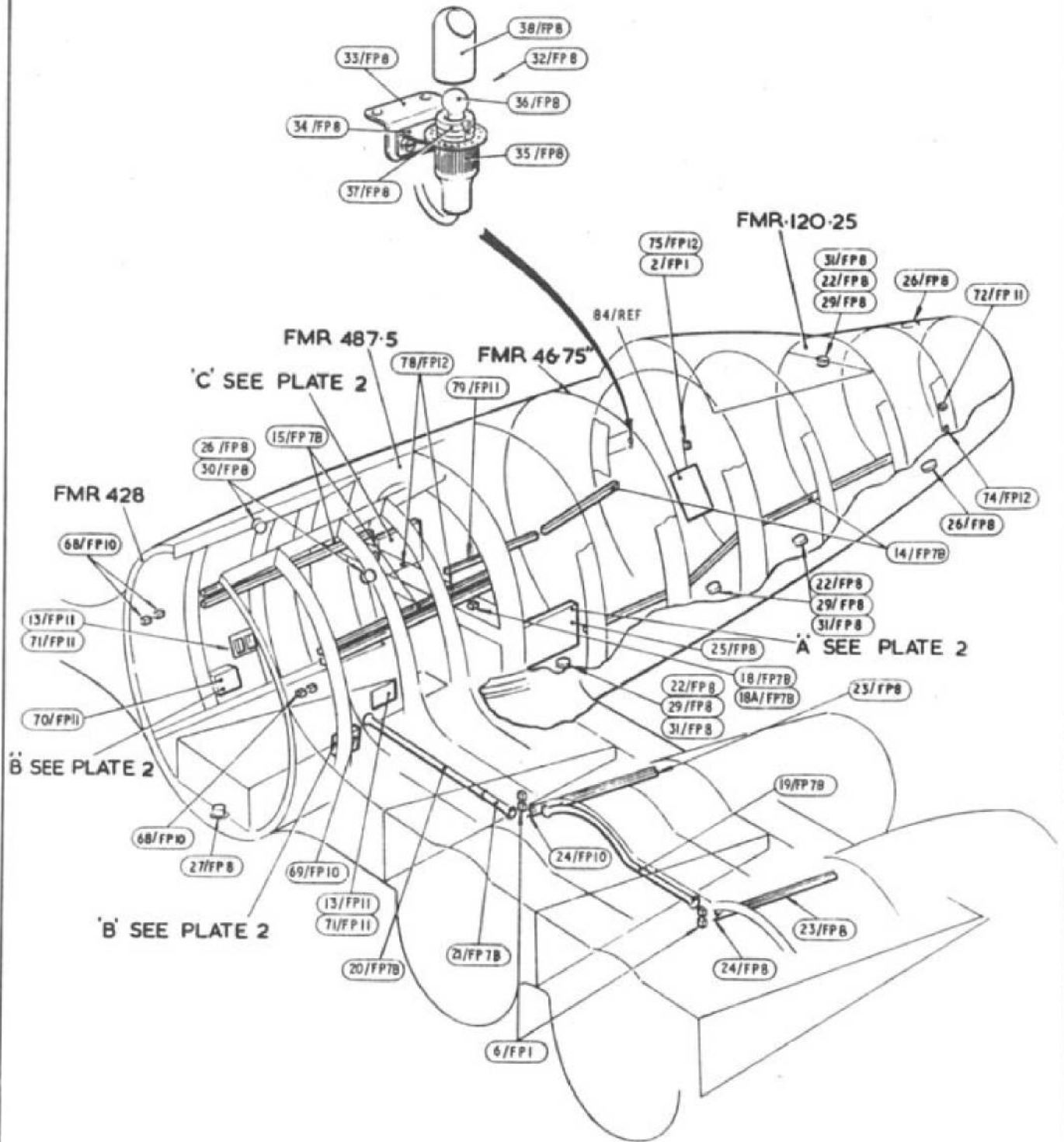
REAR PORTION, FUSELAGE

Ref. No.	Part No.	Description	No. off	Matl. Spec.	Cl. of St.	Plate and Illust'n No.
					M.R.	
		1 2 3 4				
5K/9712745	—	ELECTRICAL, INSTALLATION IN REAR PORTION FUSELAGE (V8624) (Mod. 569) (Mod. 2304) (Continued)				
5X/4491487	14V5650	Sleeve, insulating	12	—	C	
5X/4491488	15V5650	Socket, double	1	—	C	FP1/74
5X/4491779	5V7871	Socket, single	24	—	C	
		Socket	1	—	C	FP1/75
	10V8493	SOCKET, BLANKING, GROUP	4	—		FP2/76
		Consisting of:—				
	10aV8493	Disc, blanking	1	BS2966/ 213		
	9V8493	Link, cable, unipren	1	—		
5X/6745	PLESSEY 2CZ/83224	Socket, 9-hole	1	—	B	FP2/77
	1SS4088	Terminal, earth, 5/8" BSF	2	—	MR	FP1/78
		TROUGHS, CABLE, IN REAR PORTION (46V8628)				
		Spares for:—				
	9V8628	Cleat, 22G x 2.75" x 1.8", former 22.25"	2	L72		
	10V8628	Cleat, 22G x 2.75" x 1.8", former 22.25"	2	L72		
	11V8628	Cleat, 22G x 2.75" x 1.8", former 46.75"	2	L72		
	12V8628	Cleat, 22G x 2.75" x 1.8", former 46.75"	2	L72		
	15V8628	Cleat, 22G x 2.8" x 1.55", former 46.75"	2	L72		
	16V8628	Cleat, 22G x 2.8" x 1.55", former 46.75"	2	L72		
	17V8628	Cleat, 22G x 3.6" x 1.55", former 71.25"	1	L72		
	18V8628	Cleat, 22G x 3.6" x 1.55", former 71.25"	1	L72		
	19V8628	Cleat, 22G x 3.75" x 1.8", former 71.25"	1	L72		
	20V8628	Cleat, 22G x 3.75" x 1.8", former 71.25"	1	L72		
	21V8628	Cleat, 22G x 3.75" x 1.8", former 95.75"	1	L72		
	22V8628	Cleat, 22G x 3.75" x 1.8", former 71.25"	1	L72		
	23V8628	Cleat, 22G x 3.75" x 1.8", former 71.25"	1	L72		
	24V8628	Cleat, 22G x 3.75" x 1.8", former 95.75"	1	L72		
	25V8628	Cleat, 22G x 2.4" x 1.85", former 120.25" ..	1	L72		
	26V8628	Cleat, 22G x 2.55" x 2.35", former 120.25" .	1	L72		
	31V8628	Cleat, 20G x 3" x 3.25", former 487.5"	1	L72		
	32V8628	Cleat, 20G x 3" x 3.25", former 487.5"	1	L72		
	33V8628	Cleat, 20G x 4.3" x 2.85", former 472.5"	1	L72		
	34V8628	Cleat, 20G x 4.3" x 2.85", former 472.5"	1	L72		
	35V8628	Cleat, 20G x 3.7" x 2.85", former 461.5"	1	L72		
	36V8628	Cleat, 20G x 3.7" x 2.85", former 461.5"	1	L72		
	37V8628	Cleat, 20G x 2.75" x 2.95", former 442.5" ..	2	L72		
	38V8628	Cleat, 20G x 2.75" x 2.95", former 442.5" ..	1	L72		
	39V8628	Cleat, 20G x 3.25" x 3.6", former 461.5"	1	L72		
	40V8628	Cleat, 20G x 3.65" x 2.3", former 442.5"	1	L72		
	41V8628	Cleat, 20G x 3.9" x 2.95", former 472.5"	1	L72		
	42V8628	Cleat, 20G x 3.25 x 3.6", former 461.5"	1	L72		
	43V8628	Cleat, 20G x 3" x 3.2", former 487.5"	1	L72		
	44V8628	Cleat, 20G x 4.3" x 3", former 472.5"	1	L72		
	45V8628	Cleat, 20G x 3" x 3.2", former 487.5"	1	L72		
	25SS4620	Trough, cable, 25" long	2	—		
	27SS4620	Trough, cable, 27" long	2	—		
	47SS4620	Trough, cable, 47" long	4	—		
	48SS4620	Trough, cable, 48" long	1	—		
5CZ/4335639	ELECTRONIC COMPONENTS 22515	Unit, resistor, 1/2 ohm	4	—	B	FP2/90

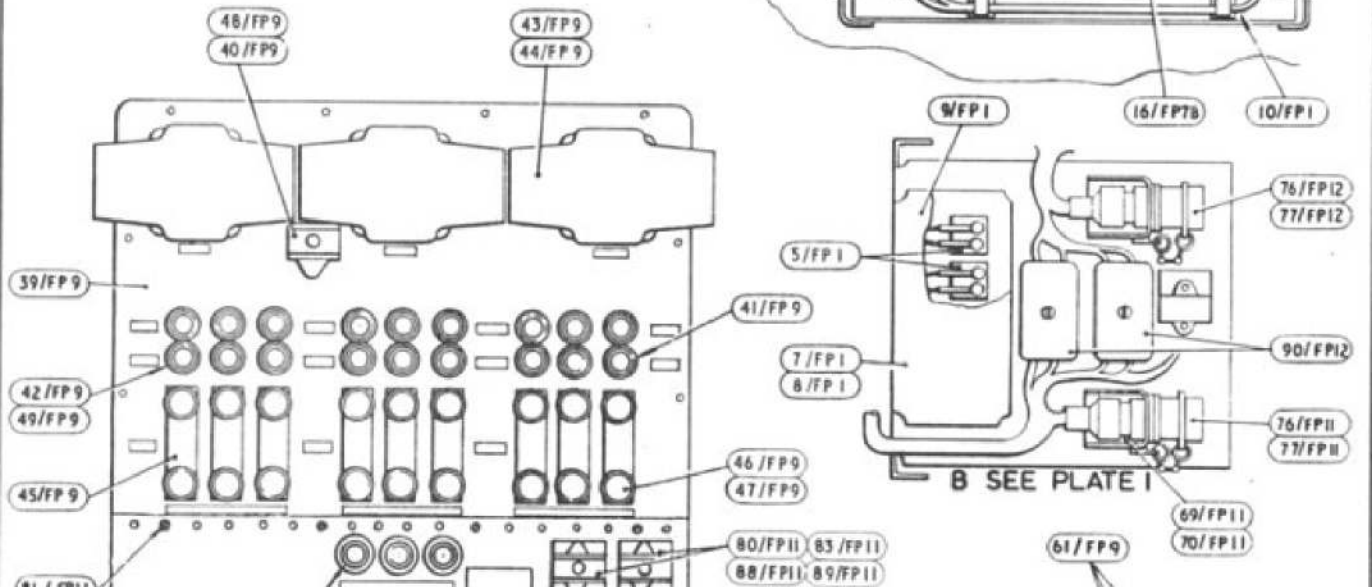
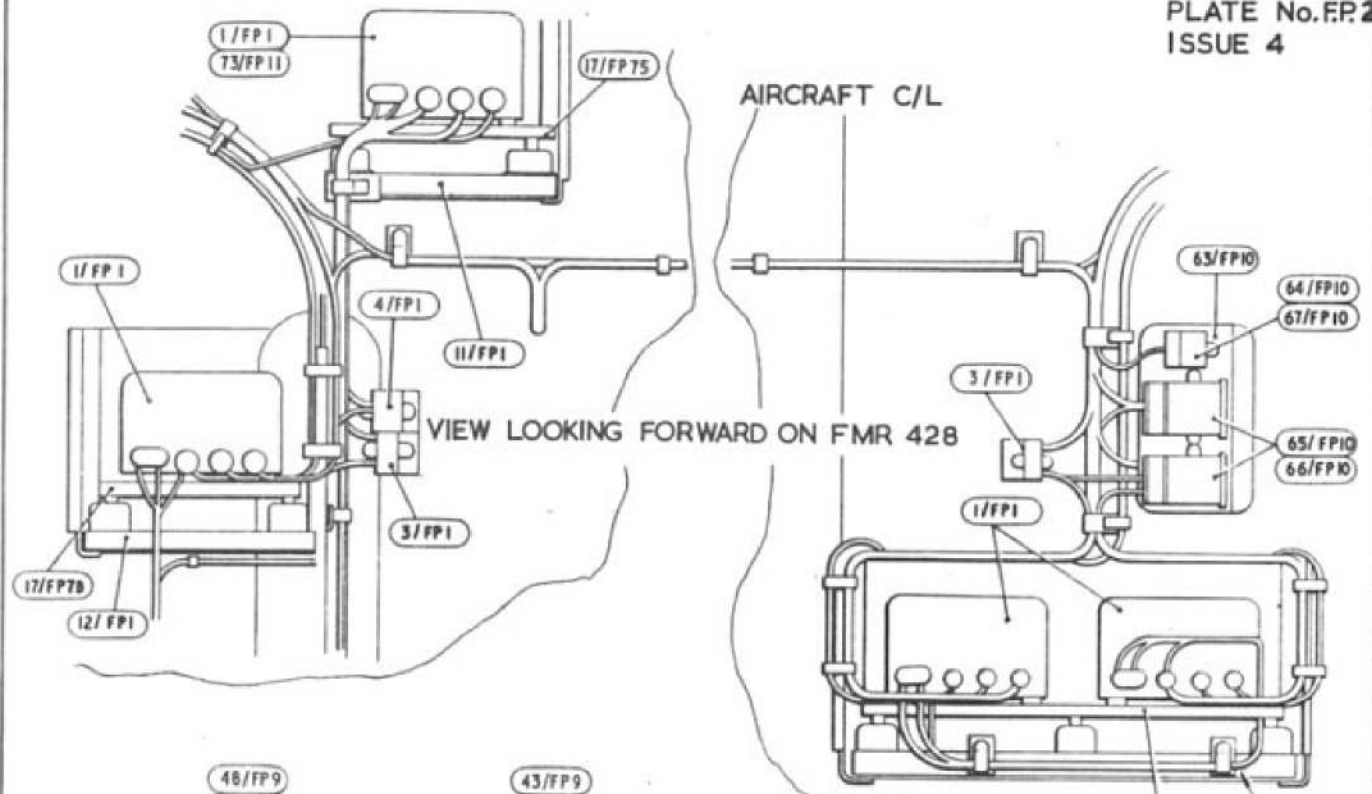
VULCAN Mk. 2

ELECTRICAL INSTALLATION
SUMMARY OF STANDARD ITEMS

Stores Ref.		No. off	Stores Ref.		No. off	Stores Ref.		No. off
Section	Ref. No.		Section	Ref. No.		Section	Ref. No.	
28D	9140635	2	28S	1200045	2			
28D	1010658	14	28S	1200049	2			
28D	9419452	2	28S	1200044	26			
28D	9140638	1	28S	9419437	9			
28D	9436920	72	28S	1200043	10			
28D	9133011	18	28S	1201448	6			
28D	1011019	12	28S	9419435	5			
28D	1212405	16	28S	9419453	38			
28D	1214302	12	28S	1200034	128			
28D	1215081	12	28S	1200036	2			
28D	1212798	12	28S	1200040	28			
28DU	9414340	12	28S	1200033	1			
28DU	9414357	4	28S	1005622	16			
28DU	1212626	14	28S	1200039	2			
			28S	1200035	2			
			28S	9131095	24			
			28S	9997545	52			
			28S	9992997	1			
			28S	9435713	24			
			28S	1200047	7			
28FP	146	4	28S	9436921	24			
28FP	9430915	4	28S	1007752	8			
28FP	9430916	2	28S	9446549	1			
			28S	1006960	8			
			28S	1007469	2			
			28S	9131731	7			
28M	1010997	32						
28M	9403517	2						
28M	10326	17	28W	9419446	30			
28M	10297	7	28W	9419401	171			
28M	10327	85	28W	9419454	219			
28M	1278190	70	28W	9418920	4			
28M	9433473	66	28W	9132080	14			
28M	7002430	8	28W	9419402	22			
28M	7002431	2	28W	9419403	2			
28M	9435066	5	28W	9419474	8			
28M	9434251	8	28W	9419475	32			
28M	9435067	18	28W	1200071	8			
28M	9435629	14	28W	9416643	14			
28M	9435630	32	28W	9416644	16			
28M	9419400	24	28W	1206039	2			
28M	9132600	1	28W					
28M	13774	1						



ELECTRICAL INSTALLATION
REAR PORTION FUSELAGE



ELECTRICAL INSTALLATION
REAR PORTION FUSELAGE

This file was downloaded
from the RTFM Library.
Link: www.scottbouch.com/rtfm

Please see site for usage terms,
and more aircraft documents.

