

**ELECTRICAL INSTALLATION
UNDERCARRIAGE BAY**

Ref. No.	Part No.	Description	No. off	Matl. Spec.	Cl. of St.	Plate and Illust'n No.
					M.R.	
		1 2 3 4				
		ELECTRICAL INSTALLATION IN UNDERCARRIAGE BAY, PORT AND STARBOARD (V8223)				
		Spares for :—				
5X/6200370	1V5650	Block, terminal	2	—	C	FQ1/1
	2SS4173	Bolt, special, earthing at rib 212-5	1	—	MR	
6A/6812	SMITHS BW52	Box, fuel contents gauge, centre of gravity computer (Mod. 952)	1	—	A	FQ4/2
	3V6638	Bracket, refuel, power unit, mounting ...	1	—		
	9V6638	Bracket, refuel, power unit, mounting ...	1	—		
12199	13V8223	Bracket, plug. on pivot tube	2	L72	C	FQ1/3
	918V7909	CABLE (F918), 2J TO 39P, GROUP ...	1	—		
	1017V7909	CABLE (F1017), C. OF G. BOX TO 38P AND T.B.'s 2020, 2039 & 2040, GROUP	1	—		
	1019V7909	CABLE (F1019), C. OF G. BOX TO 36P/522, GROUP	1	—		
	1021V7909	CABLE (F1021), C. OF G. BOX TO 39P AND T.B.'s 2117, 2118 & 2119, GROUP	1	—		
	1022V7909	CABLE (F1022), C. OF G. BOX TO 37P/554, GROUP	1	—		
	1327V7909	CABLE (F1327), 36P TO 45P, GROUP ...	1	—		
17085	1332V7909	CABLE (F1332), 37P TO 46P, GROUP ...	1	—	C	
	1667V7909	CABLE (F1667), T.B. 923 TO EARTH, GRP.	1	—		
	1668V7909	CABLE (F1668), T.B. 132 TO EARTH, GRP.	1	—		
	1698V7909	CABLE (F1698), T.B. 532 TO EARTH, GRP.	1	—		
	1700V7909	CABLE (F1700), T.B. 545 TO EARTH, GRP.	1	—		
	2778V7909	CABLE (2778), 36P TO EARTH, GROUP (Mod. 526)	1	—		
	2780V7909	CABLE (F2780), 36P TO EARTH, GROUP (Mod. 526)	1	—		

ELECTRICAL INSTALLATION
UNDERCARRIAGE BAY

Ref. No.	Part No.	Description	No. off	Matl. Spec.	Cl. of St.	Plate and Illust'n No.	
					M.R.		
		1 2 3 4					
13118	2980V7909	CABLE (F2980), STRIPPER UNIT TO PORT WING BREAK 519, GROUP (Mod. 743)	1	—			
	9034V7909	CABLE (F2984), GROUP (Mod. 1300) ...	1	—			
	3003V7909	CABLE (F3003), 39P TO PLUG 929, GROUP (Mod. 773)	1	—			
	7686V7909	CABLE (F693), TRANSPORT BREAK 250 TO 15P, 17P & 64P, GROUP	1	—			
	7826V7909	CABLE (F706), TRANSPORT BREAK 252 TO 16P, 18P & 64P, GROUP	1	—			
	7854V7909	CABLE (F553), 34P TO 1J, 2J, 15P, 19P & 21P, GROUP (Mod. 738)	1	—			
	8333V7909	CABLE (F573), 2J/15 TO 38P, GROUP (Mod. 952)	1	—			
	8336V7909	CABLE (F909), GROUP	1	—			
	8340V7909	CABLE (F1018), C. OF G., BOX TO 38P, GROUP (Mod. 952)	1	—			
	8341V7909	CABLE (F1020), C. OF G. BOX TO 39P, GROUP (Mod. 952)	1	—			
	9027V7909	CABLE (F554), 35P TO 2J, 16P, 17P, 19P AND 21P, GROUP (Mod. 1424)	1	—			
		(The following cables in the series V8100 are for port side only)					
		32V8100	CABLE (P32), M.W.B. 327 TO 38P, GROUP	1	—		
		34V8100	CABLE (P34), DOOR VALVE TO 38P, GRP,	1	—		
		9662V8100	CABLE (P36), GROUP (Mod. 1906) ...	1	—		
		9663V8100	CABLE (P37), GROUP (Mod. 1906) ...	1	—		
		9661V8100	CABLE (P38), GROUP (Mod. 1906) ...	1	—		
		9660V8100	CABLE (P39), GROUP (Mod. 1906) ...	1	—		
		9658V8100	CABLE (P40), GROUP (Mod. 1906) ...	1	—		
		9657V8100	CABLE (P41), GROUP (Mod. 1906) ...	1	—		

VULCAN Mk. 2

ELECTRICAL INSTALLATION
UNDERCARRIAGE BAY

Page FQ. 3

Ref. No.	Part No.	Description	No. off	Matl. Spec.	Cl. of St.	Plate and Illust'n No.
					M.R.	
		1 2 3 4				
	9664V8100	CABLE (P42), GROUP (Mod. 1906)	1	—		
	87V8100	CABLE (P87), 36P/449 TO EARTH, GROUP . . .	1	—		
	9656V8100	CABLE (P88), GROUP (Mod. 1906)	1	—		
	9659V8100	CABLE (P89), GROUP (Mod. 1906)	1	—		
	144V8100	CABLE (P144), No. 1 FIRE BOTTLE TO FORWARD U/C BULKHEAD, GROUP	1	—		
	145V8100	CABLE (P145), No. 2 FIRE BOTTLE TO FORWARD U/C BULKHEAD, GROUP	1	—		
	146V8100	CABLE (P146), No. 3 FIRE BOTTLE TO FORWARD U/C BULKHEAD, GROUP	1	—		
	150V8100	CABLE (P150), No. 16 LAMP TO T.B's 532 & 537, GROUP	1	—		
	151V8100	CABLE (P151), No. 15 LAMP TO T.B's 532 & 537, GROUP	1	—		
	157V8100	CABLE (P157), 36P TO 38P, GROUP	1	—		
	158V8100	CABLE (P158), 36P TO 38P, GROUP	1	—		
	163V8100	CABLE (P163), 36P/452 TO MICRO-HYPHEN . SWITCH, GROUP	1	—		
11144	165V8100	CABLE (P165), 38P TO POWER PACK, GROUP	1	—	C	
	166V8100	CABLE (P166), 38P TO MICRO-SWITCH, GROUP	1	—		
	195V8100	CABLE (P195), 38P TO No. 4 TANK, GROUP . .	1	—		
	197V8100	CABLE (P197), 38P TO No. 6 TANK, PORT, . . . GROUP	1	—		

ELECTRICAL INSTALLATION
UNDERCARRIAGE BAY

Ref. No.	Part No.	Description	No. off	Matl. Spec.	Cl. of St.	Plate and Illust'n No.
					M.R.	
		1 2 3 4				
	256V8100	CABLE (P256), 34P/12 TO RELAYS 4 & 5, GROUP	1	—		
	266V8100	CABLE (P266), AT No. 3 TANK, GROUP (Pre-Mod. 608)	1	—		
	287V8100	CABLE (P287), TB.528 TO RELAYS 2 & 3, . . . GROUP	1	—		
	291V8100	CABLE (P291), TEST SKT. TO No. 3 TANK, . . PORT, GROUP (Pre-Mod. 1744)	1	—		
	339V8100	CABLE (P339), No. 3 AMPLIFIER TO TB.2039 AND CABLE BOX, GROUP (Mod. 2283)		—		
	7089V8100	CABLE (P281), AT No. 3 TANK, PORT, GROUP (Pre-Mod. 1744)	1	—		
	7106V8100	CABLE (P208), TB.160 TO TB.2031, GROUP (Pre-Mod. 1744)	1	—		
	8107V8100	CABLE (P33), 38P TO TB's 532, 804 & 805, . . . GROUP	1	—		
	8356V8100	CABLE (P159), 36P TO 38P AND Nos. 4 & 6 . . . TANK AMPLIFIERS AND SUMPS, GROUP (Mod. 952)	1	—		
	8563V8100	CABLE (P120), TB.2040 TO EARTH, GROUP .	1	—		
		(The following cables in the series V8101 are for starboard side only)				
	32V8101	CABLE (S32), PLUG BREAK IN M.W.B. TO . . . 38P, GROUP	1	—		
	34V8101	CABLE (S34), DOOR VALVE TO 39P, GROUP	1	—		
	9672V8101	CABLE (S36), GROUP (Mod. 1906)	1	—		
	9669V8101	CABLE (S37), GROUP (Mod. 1906)	1	—		
	9673V8101	CABLE (S39), GROUP (Mod. 1906)	1	—		

VULCAN Mk. 2

ELECTRICAL INSTALLATION
UNDERCARRIAGE BAY

Page FQ. 5

Ref. No.	Part No.	Description	No. off	Matl. Spec.	Cl. of St.	Plate and Illust'n No.
					M.R.	
		1 2 3 4				
	9674V8101	CABLE (S40), GROUP (Mod. 1906)	1	—		
	9668V8101	CABLE (S60), GROUP (Mod. 1906)	1	—		
	139V8101	CABLE (S139), No. 1 FIRE BOTTLE TO	1	—		
		TB.132, GROUP				
	140V8101	CABLE (S140), No. 2 FIRE BOTTLE TO	1	—		
		TB.132, GROUP				
	141V8101	CABLE (S141), No. 3 FIRE BOTTLE TO	1	—		
		TB.132, GROUP				
	145V8101	CABLE (S145), No. 17 LAMP TO TB's 543	1	—		
		& 545, GROUP				
	151V8101	CABLE (S151), 37P/456 TO EARTH, GROUP ..	1	—		
	155V8101	CABLE (S155), 37P/453 TO 39P, GROUP	1	—		
	156V8101	CABLE (S156), 37P/454 TO 39P, GROUP	1	—		
	162V8101	CABLE (S162), 37P/459 TO 39P, GROUP	1	—		
	191V8101	CABLE (S191), 39P TO No. 4 TANK, GROUP ..	1	—		
	193V8101	CABLE (S193), 39P TO No. 6 TANK, GROUP ..	1	—		
	255V8101	CABLE (S255), TEST SWITCH TO TB.2134, ...	1	—		
		GROUP (Pre-Mod. 608)				
	275V8101	CABLE (S275), TB.807 TO RELAYS 2 & 3, ...	1	—		
		GROUP				
	281V8101	CABLE (S281), TEST SOCKET TO No. 3	1	—		
		TANK, GROUP (Pre-Mod. 1744)				
	340V8101	CABLE (S340), No. 3 AMPLIFIER TO	1	—		
		TB.2118 AND CABLE BOX, GROUP (Mod. 2283)				
	7092V8101	CABLE (S269), AT No. 3 TANK, GROUP	1	—		
		(Pre-Mod. 1744)				

ELECTRICAL INSTALLATION
UNDERCARRIAGE BAY

Ref. No.	Part No.	Description	No. off	Matl. Spec.	Cl. of St.	Plate and Illust'n No.
					M.R.	
		1 2 3 4				
		ELECTRICAL INSTALLATION IN UNDERCARRIAGE BAY, PORT AND STARBOARD (V8223) (Cont'd)				
	7105V8101	CABLE (S203), T.B. 161 TO T.B. 2134, GROUP (Pre-Mod. 1744)	1	—		
	9666V8101	CABLE (S41), GROUP (Mod. 1906) ...	1	—		
	9665V8101	CABLE (S84), GROUP (Mod. 1906) ...	1	—		
	9675V8101	CABLE (S85), GROUP (Mod. 1906) ...	1	—		
	7345V8101	CABLE (S144), No. 18 LAMP TO T.B.'s 543 & 545, GROUP	1	—		
	7561V8101	CABLE (S248), 35P/221 TO Nos. 3, 4 & 6 TANKS, GROUP	1	—		
	9667V8101	CABLE (S38), GROUP (Mod. 1906) ...	1	—		
	8108V8101	CABLE (S33), U/C VALVE TO 39P, GRP.	1	—		
	8364V8101	CABLE (S158), 37P/445 TO 39P AND Nos. 4 & 6 TANKS, GROUP (Mod. 952)	1	—		
	9670V8101	CABLE (S81), GROUP (Mod. 1906) ...	1	—		
	9671V8101	CABLE (S82)	1	—		
	AS4805/25	Capping, duct, 25" long	1	—		
	AS4805/42	Capping, duct, 42" long	1	—	MR	
	AS4807/10	Capping, duct, 10" long	1	—		
	AS4807/12	Capping, duct, 12" long	1	—		
	AS4807/14	Capping, duct, 14" long	1	—		
	AS4807/18	Capping, duct, 18" long	1	—		
	AS4807/24	Capping, duct, 24" long	1	—	MR	
	AS4807/31	Capping, duct, 31" long	1	—		
	AS4807/32	Capping, duct, 32" long	1	—		
	33V8223	Clamp, cable (Mod. 1300)	1	—		
	35V8223	Clamp, cable (Mod. 1300)	1	—		
	34V8223	Clamp, cable (Mod. 1300)	1	—		

VULCAN Mk. 2

ELECTRICAL INSTALLATION
UNDERCARRIAGE BAY

Page FQ. 7

Ref. No.	Part No.	Description	No. off	Matl. Spec.	Cl. of	Plate and Illust'n No.
					St. M.R.	
		1 2 3 4				
ELECTRICAL INSTALLATION IN UNDER-CARRIAGE BAY, PORT AND STARBOARD (V8223) (Cont'd.)						
5CX/4330015	—	Dome, glass, for cockpit lamps	2	—	B	FQ1/4
	42SS4619	Duct, cable, 42" long	1	—	MR	FQ1/5
7662	10SS4621	Duct, cable, 10" long	1	—	C	FQ4/6
7663	12SS4621	Duct, cable, 12" long	1	—	C	FQ4/7
7664	14SS4621	Duct, cable, 14" long	1	—	C	FQ4/8
7666	18SS4621	Duct, cable, 18" long	1	—	C	FQ4/9
7667	24SS4621	Duct, cable, 24" long	1	—	C	FQ4/10
7670	31SS4621	Duct, cable, 31" long	1	—	C	FQ4/11
7671	32SS4621	Duct, cable, 32" long	1	—	C	FQ1/12
	7V5888	Fairlead, at rib, 162.5, port	2	—		
	10V8223	Fairlead, at rib, 162.5, starboard	4	BSS2966		
5L/9953202	—	Filament, 24v., 16W.	2	—	C	FQ1/13
	1V6798	LAMPHOLDER, GROUP	2	—		FQ1/14
		Consisting of:—				
	2V6798	Cable, unipren, 6 x 2" long	1	—		
5CX/4330014	—	Lamp, cockpit	1	—	B	
MOUNTING, AMPLIFIER, No. 3 TANK (V16114) (Mod. 2283)						
Spares for:—						
6A/1141864	SMITHS KA5	Amplifier, bridge type 7	1	—	A	FQ4/15
6A/1142874	SMITHS KC.3	Box, cable connection	1	—	A	FQ4/16
	6V16111	Bracket, mounting, group	1	—	B	FQ4/17
		Spares for:—				
1510508	11V16111	Bracket	1	—	C	
1510509	3V16114	Cover	1	—	C	FQ4/18
MOUNTING FUSEHOLDER (V9547)						
(Pre-Mod. 1744)						
Consisting of:—						
27N/4526516	GRAVINER E303	Fuse	1	—	C	
10002	2V9472	LINK, PLUG, GROUP (Pre-Mod. 1744)	1	—	C	

ELECTRICAL INSTALLATION
UNDERCARRIAGE BAY

Ref. No.	Part No.	Description	No. off	Matl. Spec.	Cl. of St.	Plate and Illust'n No.
					M.R.	
		1 2 3 4				
		ELECTRICAL INSTALLATION IN UNDER-CARRIAGE BAY, PORT AND STARBOARD (V8223) (Cont'd)				
		PANEL, 34P, PORT AND 35P, STARBOARD .. (1 & 2V8178)				FQ1/20
		Spares for:—				
5X/6200370	1V5650	Block, terminal	2	—	C	FQ1/21
5X/4491769	1V7870	Block, terminal, 12 amp., 12 way	1	—	B	FQ1/22
4258	5V6343	COVER, 34P, GROUP	1	—	C	FQ1/23
4529	6V6343	COVER, 35P, GROUP	1	—	C	FQ1/24
	1V9898	LOOM, CABLE, 34P, GROUP	1	—		
	1V9899	LOOM, CABLE, 35P, GROUP	1	—		
	1V8179	PANEL, 34P, LESS EQUIPMENT, GROUP ..	1	—		FQ1/25
	2V8179	PANEL, 35P, LESS EQUIPMENT, GROUP ..	1	—		FQ1/26
		Spares for:—				
	74SS6003	Label, "74", on 34P	1	L59		
	75SS6003	Label, "75", on 34P	1	L69		
	76SS6003	Label, "76", on 34P	1	L59		
	77SS6003	Label, "77", on 34P	1	L59		
	83SS6003	Label, "83", on 35P	1	L59		
	84SS6003	Label, "84", on 35P	1	L59		
	85SS6003	Label, "85", on 35P	1	L59		
	86SS6003	Label, "86", on 35P	1	L59		
	211SS6003	Label, "211", on 34P	1	—		
	212SS6003	Label, "212", on 34P	1	—		
	213SS6003	Label, "213", on 34P	1	L59		
	214SS6003	Label, "214", on 34P	1	L59		
	220SS6003	Label, "220", on 35P	1	L59		
	221SS6003	Label, "221", on 35P	1	L59		
	222SS6003	Label, "222", on 35P	1	L59		
	223SS6003	Label, "223", on 35P	1	L59		
	224SS6003	Label, "224", on 35P	1	L59		
	PLESSEY					
5CW/4400161	7CZ/105411/1	Relay, 4 pole	4	—	A	FQ1/27
		PANEL, 36P, PORT AND 37P, STARBOARD .. BOARD (8 & 10V6791) (Mod. 847)				FQ3/28
		Spares for:—				
5X/6200370	1V5650	Block, terminal	4	—	C	FQ3/29
	13V6161	Block, slide	1	L1	MR	FQ3/30
	12V6161	Bolt, special (Made from A25/13C)	4	—	MR	FQ3/31
	5V6080	Bush, 1/2" dia. x 3/8" long	8	Rubber	MR	FQ3/32
10C/0115508	—	Capacitor, 1,000V., 1 uf.	2	—	C	FQ3/33
5L/9951273	—	Filament, 28V., 3-5W	14	—	C	FQ3/34
	17V6161	Guard, switch	2	—	MR	FQ3/35
5CW/4222	—	Guard, switch	2	—	C	FQ3/36
5CX/6362199	—	Lamp, warning	1	—	B	FQ3/37
5CX/1085815	—	Lamp, red, panel, 36P	2	—	B	FQ3/38
5CX/1059365	—	Lamp, green, panel, 36P	2	—	B	FQ3/39

VULCAN Mk. 2

ELECTRICAL INSTALLATION
UNDERCARRIAGE BAY

Page FQ. 9

Ref. No.	Part No.	Description	No. off	Matl. Spec.	Cl. of St.	Plate and Illust'n No.
					M.R.	
		1 2 3 4				
		PANEL, 36P, PORT AND 37P, STARBOARD (8 & 10V6791) (Cont'd)				
	30V6161	LAMP, WARNING, "1," GROUP	1	—		FQ3/40
	30aV6161	Consisting of:—				
5CX/1059365	—	Disc, warning light screen "1"	1	—	MR	
		Lamp	1	—	B	
	31V6161	LAMP, WARNING, "2," GROUP	1	—		FQ3/41
	31aV6161	Consisting of:—				
5CX/1059365	—	Disc, warning light screen "2"	1	—	MR	
		Lamp	1	—	B	
	32V6161	LAMP, WARNING, "3", GROUP	1	—		FQ3/42
	32aV6161	Consisting of:—				
5CX/1059365	—	Disc, warning light screen "3"	1	—	MR	
		Lamp	1	—	B	
	33V6161	LAMP, WARNING, "4", GROUP	1	—		FQ3/43
	33aV6161	Consisting of:—				
5CX/1059365	—	Disc, warning light screen "4"	1	—	MR	
		Lamp	1	—	B	
	34V6161	LAMP, WARNING, "5", GROUP	1	—		FQ3/44
	34aV6161	Consisting of:—				
5CX/1059365	—	Disc, warning light screen "5"	1	—	MR	
		Lamp	1	—	B	
	35V6161	LAMP, WARNING, "6", GROUP	1	—		FQ3/45
	35aV6161	Consisting of:—				
5CX/1059365	—	Disc, warning light screen "6"	1	—	MR	
		Lamp	1	—	B	
	36V6161	LAMP, WARNING, "7", GROUP	1	—		FQ3/46
	36aV6161	Consisting of:—				
5CX/1059365	—	Disc, warning light screen "7"	1	—	MR	
		Lamp	1	—	B	
	37V6161	LAMP, WARNING, "1-ON," 36P, GROUP ...	1	—		FQ3/47
	37aV6161	Consisting of:—				
5CX/1059365	—	Disc, warning light screen "1-ON"	1	—	MR	
		Lamp	1	—	B	
	38V6161	LAMP, WARNING, "2-ON," 36P, GROUP ...	1	—		FQ3/48
	38aV6161	Consisting of:—				
5CX/1059365	—	Disc, warning light screen "2-ON"	1	—	MR	
		Lamp	1	—	B	
	39V6161	LAMP, WARNING, "3-ON," 37P, GROUP ...	1	—		FQ3/49
	39aV6161	Consisting of:—				
4662 5CX/1059365	—	Disc, warning light screen "3-ON"	1	—	C	
		Lamp	1	—	B	
	40V6161	LAMP, WARNING, "4-ON," 37P, GROUP ...	1	—		FQ3/50
	40aV6161	Consisting of:—				
4663 5CX/1059365	—	Disc, warning light screen "4-ON"	1	—	C	
		Lamp	1	—	B	

VULCAN Mk. 2		ELECTRICAL INSTALLATION				
Page FQ.10		UNDERCARRIAGE BAY				
Ref. No.	Part No.	Description	No. off	Matl. Spec.	Cl. of St.	Plate and Illust'n No.
					M.R.	
		1 2 3 4				
		PANEL, 36P, PORT AND 37P, STARBOARD (8 & 10V6791) (Cont'd)				
	5V6791	LID, PANEL, 36P, GROUP	1	—	MR	FQ3/51
	6V6791	LID, PANEL, 37P, GROUP	1	—	MR	FQ3/52
		Spares for:—				
28FP/154	A5/30	Fastener, dzus	12	—	C	
28FP/9425771	GA5/312	Grommet, dzus	12	—	C	
4664	42V6161	MOUNTING, CAPACITOR, GROUP	2	—	C	FQ3/53
	7V6791	MOUNTING, RESISTOR, GROUP	1	—	MR	FQ3/54
		Spares for:—				
10W/0243105	—	Resistor, 120 ohms	2	—	C	FQ3/55
	1V6793	MOUNTING, RELAY AND POTEN- TIOMETER, 36P, GROUP	1	—		FQ3/56
10168	2V6793	MOUNTING, RELAY AND POTEN- TIOMETER, 37P, GROUP	1	—	A	FQ3/57
		Spares for:—				
		Bolt, special (Made from A25/33B)	4	—		
6403	10V6793	Locknut, 3/8" x 32 T.P.I.	7	Brass	C	FQ3/58
	COLVERN	Lock, potentiometer	7	—	A	FQ3/59
	N602	Potentiometer, 2500 ohms. R.A.C.	7	—	B	FQ3/60
10AS/0970231	RCO.223	Relay, P.O. (SM3-HV-51)	2	—	A	FQ3/61
10W/0271755	CLR4239/263	Relay, P.O. (SM3-HV-56)	2	—	A	FQ3/62
10F/0530108	—	Relay	11	—		FQ3/63
10F/0530110	G.E.C. W71R/0361D	Relay, P.O. (SM3-HV-52)	2	—	A	FQ3/64
10F/0530289	—	Relay, P.O.	2	—	A	FQ3/65
5CW/4400101	W68R/2123/B	Resistor, 3.3 K ohms	1	—	C	FQ3/66
10W/9244225	—	Resistor, 10 K ohms	2	—	C	FQ3/67
10W/9244241	—	Resistor, 11 K ohms	1	—	C	FQ3/68
10W/9244242	—	Resistor, 8.2 K ohms	3	—	C	FQ3/69
10W/0113342	—	Resistor, 12 K ohms	1	—	C	FQ3/70
10W/0113346	—	PANEL, 90P, PORT AND 91P, STARBOARD (1 & 2V9890) (Mod. 847)				FQ4/71
		Spares for:—				
10C/0120138	PLESSEY	Capacitor (Mod. 1406)	6	—	C	FQ4/72
	—	Insulator	1	BSS2966		FQ4/73
	8V9890	LOOM, CABLE, 90P, GROUP (Mod. 1406) .	1	—		
	1V11607	LOOM, CABLE, 91P, GROUP (Mod. 1406) .	1	—		
	1V11608	MOUNTING, RESISTOR, GROUP	1	—		FQ4/74
	9V9890	Spares for:—				
10W/0113272	—	Resistor, 10 ohms	2	—	C	FQ4/75
	5V9890	PANEL, 90P, C/W LABELS, GROUP	1	—		FQ4/76
	6V9890	PANEL, 91P, C/W LABELS, GROUP	1	—		FQ4/77

VULCAN Mk. 2

ELECTRICAL INSTALLATION
UNDERCARRIAGE BAY

Page FQ. 11

Ref. No.	Part No.	Description	No. off	Matl. Spec.	Cl. of St.	Plate and Illust'n No.
					M.R.	
		1 2 3 4				
		PANEL, 90P, PORT AND 91P, STARBOARD (1 & 2V9890) (Cont'd.)				
10CV/0005101	B.T.H. GJ5/M DIAMOND "H"	Rectifier (Mod. 1406)	4	—	B	FQ4/78
5CW/4400265	R210/C3P/1 DIAMOND "H"	Relay, series "R"	2	—	A	FQ4/79
5CW/5191808	R101/PS	Socket, ceramic	2	—	B	FQ4/80
	15V6161 SMITHS	Pillar, spring	1	S1		FQ3/81
5CW/4400073	EAP3169 WESTINGH'SE	Plate, shutter	4	—	B	FQ3/82
5CZ/4335600	5D/2 SANGAMO WESTON	Rectifier	9	—	C	FQ3/83
	S54/1/393	Relay, moving coil	2	—		FQ3/84
4666	14V6161	Rod, engaging	1	L1	C	FQ3/85
4667	18V6161	Screw, grub	1	S1	C	FQ3/86
5X/4491487	14V5650	Socket, double	3	—	C	FQ3/87
5X/4491488	15V5650	Socket, single	14	—	C	FQ3/88
1433395	10F1499	Spring, 22G, 38 coils, 0.025" dia.	1	—	C	FQ3/89
		STRUCTURE, PANELS 36P and 27P (11 & 13V6792)				
		Spares for:—				
	23V6161	Label, Tank Groups 1-2, 36P	1	L72		
	24V6161	Label, Tank Groups 3-4, 37P	1	L72		
	25V6161	Label, "Master Switch Off"	1	L72		
	26V6161	Label, "Press and Release"	1	L72		
	131SS6000	Label, "ON"	1	L59		
	109SS6002	Label, "Commence Refuelling", 36P	1	—		
	136SS6002	Label, "Commence Refuelling", 37P	1	—		
28FP/9436920	S5/225	Spring, dzus	12	—	C	
	10V6792	Strip, sealing, 5/8" x 1/16" x 6' 4"	1	Rubber	MR	
5CW/4400060	SMITHS EAP142	Switch, main	2	—	A	FQ3/90
5CW/6209280	—	Switch, master, on 36P	1	—	A	FQ3/91
5CW/4400074	N.S.F. LX/CS1/10107/ DH3	Switch, selection, "Ledex"	2	—	B	FQ3/92
5CW/1047692	ROTAX D5405	Switch, single pole	2	—	B	FW3/93
5CW/1047700	ROTAX B. & C.	Switch, double pole	1	—	B	FQ3/94
28W/1097257	1906/1	Washer, shakeproof	8	—	C	FQ3/95
	1V9726	PANEL, 38P, PORT, GROUP	1	—		FQ1/96
	2V9726	PANEL, 36P, STARBOARD, GROUP	1	—		FQ1/97
		Spares for:—				
5X/6200370	1V5650	Block, terminal	16	—		FQ1/98

ELECTRICAL INSTALLATION

UNDERCARRIAGE BAY

Ref. No.	Part No.	Description	No. off	Matl. Spec.	Cl. of St.	Plate and Illust'n No.
					M.R.	
		1 2 3 4				
		PANEL, REFUELLING RELAY, 45P, PORT AND 46P, STARBOARD (7 & 8V7446)				
		Spares for:—				
4254	4V7446	COVER, 45P, GROUP	1	—	C	FQ4/99
4255	5V7446	COVER, 46P, GROUP	1	—		FQ4/100
		Spares for:—				
28FP/9703273	A3/30	Fastener, dzus	4	—	C	
28FP/9434075	GA3/175	Grommet, dzus	4	—	C	
	3V7446	Fairlead, half	2	—		FQ4/101
		MOUNTING RELAY ON 45P AND 46P (14 & 15V7445)				FQ4/102
		Spares for:—				
	16V7445	Bolt, special (Made from A25/33B)	2	—		FQ4/103
	1327V7909	CABLE (F1327), 45P, GROUP	1	—		
17085	1332V7909	CABLE (F1332), 46P, GROUP	1	—	C	
	3190V7909	CABLE (F3190), 45P, GROUP	1	—		
		(Mod. 952)				
	3191V7909	CABLE (F3191), 46P, GROUP	1	—		
		(Mod. 952)				
	5V7445	Channel, mounting, 45P	1	—		FQ4/104
	6V7445	Channel, mounting, 46P	1	L72		FQ4/105
	42SS4204	Grommet, insulated	1	—		
	1V10520	LOOM, CABLE, 45P, GROUP (Mod. 952)	1	—		
	1V10521	LOOM, CABLE, 46P, GROUP (Mod. 952)	1	—		
10F/0530290	—	Relay, P.O. (SM-3HV-53)	2	—		FQ4/106
10F/0530289	—	Relay, P.O. (SM-3HV-52)	7	—		FQ4/107
	1V7433	PANEL, 45P, GROUP	1	—		FQ4/108
	2V7433	PANEL, 46P, GROUP	1	—		FQ4/109
		Spares for:—				
28FP/1200486	S3/150	Spring, dzus	4	—	C	
5X/4491487	14V5650	Socket, double	2	—	C	FQ1/110
5X/4491488	15V5650	Socket, single	13	—	C	FQ1/111
4674	1V6632	TRAY, MOUNTING REFUELLING POWER UNIT CRATE, GROUP			C	FQ2/112
		Spares for:—				
26FP/11757	MARCONI W14183/C/1/D	Device, locking	2	—		FQ2/113
10AJ/137	—	Mounting, anti-vibration	4	—	B	FQ2/114
	2V6578	Peg, locating	2	—	MR	FQ2/115
	2T3694	Plate, attachment for A.V. mountings	4	—		FQ2/116
	MARCONI RID1012/3	Washer	8	—		

ELECTRICAL INSTALLATION
UNDERCARRIAGE BAY

Ref. No.	Part No.	Description	No. off	Matl. Spec.	Cl. of St.	Plate and Illust'n No.
					M.R.	
		1 2 3 4				
		SWITCH, FORWARD AND AFT UNDER-CARRIAGE DOOR, UP, PORT AND STARBOARD (1, 2, 3 & 4V6687)				
		Spares for:—				
2226	13V6687	Bracket, switch mounting	1	L72	C	FQ1/117
	5V6687	BRACKET, MOUNTING, FORWARD, PORT, GROUP	1	—	MR	
13189	6V6687	BRACKET, MOUNTING, FORWARD, STARBOARD, GROUP	1	—	MR/C	FQ1/118
	7V6687	BRACKET, MOUNTING, AFT, PORT, GROUP	1	—	MR	FQ1/119
13539	8V6687	BRACKET, MOUNTING, AFT, STAR- BOARD, GROUP	1	—	MR/C	FQ1/120
	10V6687	LEVER, PORT, GROUP	1	—	MR	FQ1/121
2203	11V6687	LEVER, STARBOARD, GROUP	1	—	C	FQ1/122
	14V6687	Pin, striking	1	S80	MR	FQ1/123
2201	7V6136	Roller	1	S1	C	FQ1/124
	12V6687	Stop, lever	1	L72		FQ1/125
5CW/4400578	HONEYWELL 402.EN.N3	Switch, micro (Mod. 1906)	1	—	B	FQ1/126
		SWITCH, MAIN UNDERCARRIAGE DOWN, PORT AND STARBOARD (9 & 10V6135)				
		Spares for:—				
	14V6135	BRACKET, SWITCH, PORT, GROUP	1	—	MR	FQ1/127
		Spares for:—				
	14bV6135	Label	1	L59		
13571	15V6135	BRACKET, SWITCH, STARBOARD, GROUP	1	—	MR	FQ1/128
		Spares for:—				
	15bV6135	Label	1	L59		
13451	16V6135	Lever, switch, operating (Mod. 1907)	1	S3	C	FQ1/129
2204	4V6640	Pin, striking	1	S80	C	FQ1/130
5CW/4400578	HONEYWELL 402.EN.N3	Switch, micro (Mod. 1906)	1	—	B	FQ1/131
		TROUGH, CONDUIT, PORT AND STAR- BOARD (1 & 2V9772)				
		Spares for:—				
22824	30V9772	TROUGH, FORWARD, PORT, GROUP	1	—		FQ1/132
		Spares for:—				
	34V9772	Cover, forward (Mod. 1300)	1	L59		FQ1/133
22825	31V9772	TROUGH, FORWARD, STARBOARD, GROUP	1	—		FQ1/134
		Spares for:—				
	35V9772	Cover (Mod. 1300)	1	L59		FQ1/135

ELECTRICAL INSTALLATION
UNDERCARRIAGE BAY

Ref. No.	Part No.	Description	No. off	Matl. Spec.	Cl. of St.	Plate and Illust'n No.
					M.R.	
		1 2 3 4				
		TROUGH, CONDUIT, PORT AND STARBOARD (1 & 2V9772) (Cont'd)				
22826	32V9772	TROUGH, AFT, PORT, GROUP	1	—		FQ1/136
	36V9772	Spares for:— Cover, aft (Mod. 1300)	1	L59		FQ1/137
22827	33V9772	TROUGH, AFT, STARBOARD, GROUP	1	—		FQ1/138
	37V9772	Spares for:— Cover, aft (Mod. 1300)	1	L59		FQ1/139
	49F9763	Tube, conduit, on u/c bay roof	2	—		FQ1/140
8710	40V6604	UNIT, POWER REFUELLING, GROUP	1	—	A	FQ2/141
	9V6640	(Mod. 655) Spares for:— BOARD, CAPACITOR, GROUP	1	—		FQ2/142
	DUBILIER BR3530	Spares for:— Capacitor, 16MF, 500V	2	—		FQ2/143
10C/0115592	—	Capacitor	1	—	C	
10W/9243002	—	Resistor	1	—	C	FQ2/144
or						
10W/0113349	—	Resistor	1	—	C	FQ2/145
10W/9244074	—	Resistor	1	—	C	FQ2/146
or						
10W/0113415	—	Resistor	1	—	C	FQ2/147
10W/9243349	—	Resistor	1	—	C	FQ2/148
or						
10W/0113296	—	RESISTOR	1	—	C	FQ2/149
	—	Cable, 2.5 W.T.P.V.C.	60 ft.	—	C	
5E/0151682	—	Cable, miniature, No. 1	6 ft.	—	C	
	Z112880	Capacitor, C2	1	—	C	FQ2/150
10C/0115567	—	Capacitor, C7-C10	2	—	C	FQ2/151
10C/0124719	—	Capacitor, C8-C9	2	—	C	FQ2/152
10C/0116115	—	Capacitor, .01MF, 400V	1	—	C	FQ2/153
or						
10C/0116408	—	Capacitor	1	—	C	FQ2/154
	ENGLISH ELEC. LL1653Z/2602	Choke	1	—		FQ2/155
4672	4V6604	CLAMP, GROUP	3	—	C	FQ2/156
10C/0115591	—	Condenser, 0.5 MFD	1	—	B	FQ2/157
	2V6604	COVER, DUST, GROUP	2	—	MR	FQ2/158
	1V6605	CRATE, POWER REFUELLING UNIT	1	—		FQ2/159
		Spares for:—				
	MARCONI RID1007-1	Block, hinge	2	—		FQ2/160
	MARCONI RID1002-2	Handle (Ref. 2)	1	—		FQ2/161
	417SS6002	Label, Refuelling Power Unit	1	L59		

VULCAN Mk. 2

ELECTRICAL INSTALLATION
UNDERCARRIAGE BAY

Page FQ. 15

Ref. No.	Part No.	Description	No. off	Matl. Spec.	Cl. of St.	Plate and Illust'n No.
					M.R.	
		1 2 3 4				
		CRATE, POWER REFUELLING UNIT, GROUP (V6605) (Cont'd)				
	MARCONI RID1002-3	Nutplate	2	-		
	MARCONI RID1006-1	Plate, stop	2	-		FQ2/162
	MARCONI RID1007-2	Screw	3	-		FQ2/163
	MARCONI RID1007-3	Spring	2	-		FQ2/164
10H/1000711	BELLING LEE L338 500MA	Fuse	1	-	C	FQ2/165
10H/0590111	L693 (3.OA)	Fuse	1	-	C	
10H/0560031	-	Holder, (B.S.U.)	1	-	C	
10H/0590100	-	Holder, fuse	2	-	C	
10H/0560127	-	Holder, valve (XM7/UC1)	4	-	C	
10H/0560131	-	Holder, valve (XM9/UC1)	2	-	C	
10AR/0970231	-	Lock, potentiometer	5	-	A	FQ2/171
6403	COLVERN N602	Locknut, 3/8" x 32 T.P.I.	5	Brass	C	FQ2/172
10H/20298	PYE No. 734481	Plug, power	1	-	C	FQ2/173
5CW/4400080	G.E.C. W68M/0161D/2	Relay, slugged	1	-	A	FQ2/174
10F/9530158	-	Relay	1	-	A	FQ2/175
5CZ/4335637	S.E.I. CO. LTD. MDO 9003	Resistor, variable (10Kohms., R20)	1	-		FQ2/176
10W/0221069	-	Resistor, R2-R12	2	-	C	FQ2/177
10W/0212089	-	Resistor	1	-	C	FQ2/178
10W/0215287	-	Resistor (R16)	1	-	C	FQ2/179
10W/0216003	-	Resistor (R17, R19)	2	-	C	FQ2/180
10W/0216038	-	Resistor (R7, R15)	2	-	C	FQ2/181
10W/0216065	-	Resistor (R11)	1	-	C	FQ2/182
10W/0216082	-	Resistor (R5)	1	-	C	FQ2/183
10W/0216123	-	Resistor (R6)	1	-	C	FQ2/184
10W/0216658	-	Resistor, (R3, R13)	2	-	C	FQ2/185
10W/9272141	-	Resistor, variable (R9, R14, R18)	3	-	C	FQ2/186
10W/9272410	-	Resistor, variable (R4, R8)	2	-	C	FQ2/187
10AL/0563009	CARR VS3-C	Screen, valve (77/330A)	2	-		FQ2/188
	BELLING LEE V61-B	Screen, valve (L719)	4	-		FQ2/189
	or McMURDO 4/1	Screen, valve (4/1)	4	-		FQ2/190
	PYE 730604	Shroud	1	-		FQ2/191
	ENGLISH ELECTRIC LL1653Z/2609	Transformer	1	-		FQ2/192

ELECTRICAL INSTALLATION

UNDERCARRIAGE BAY

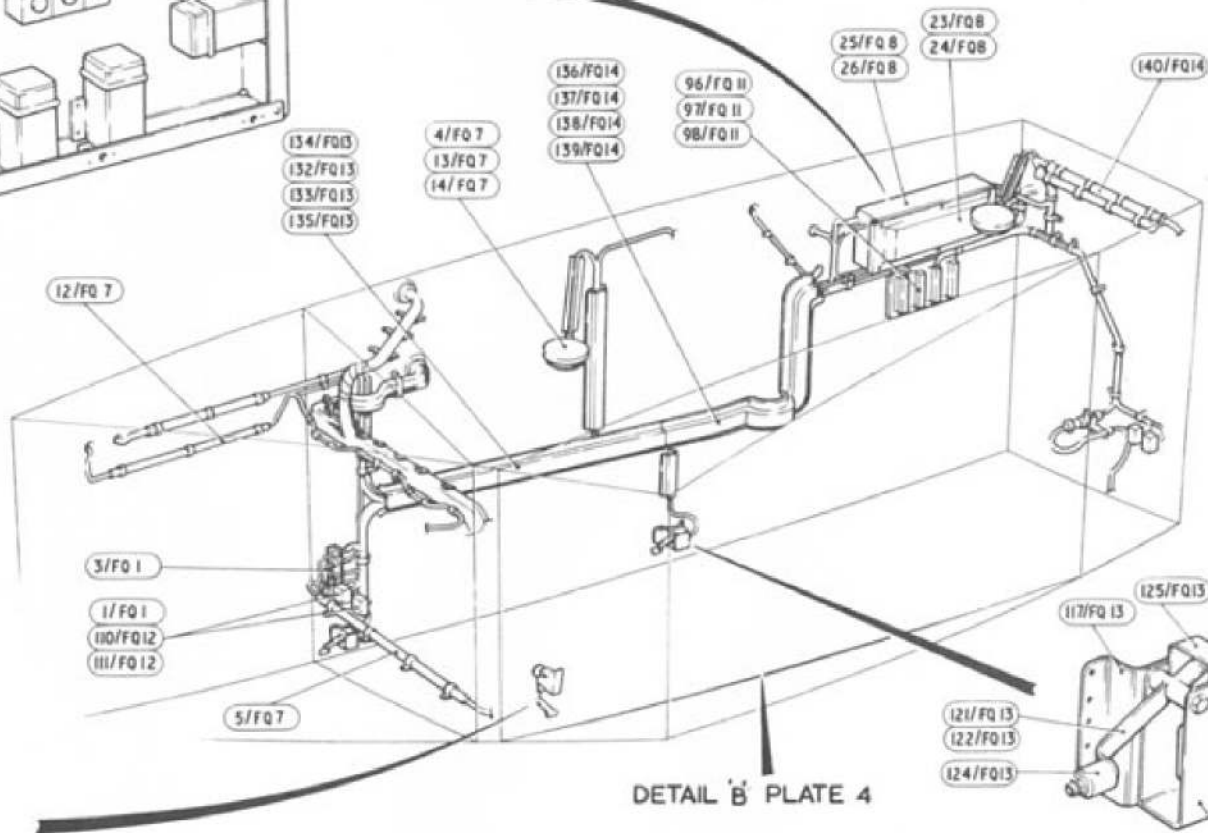
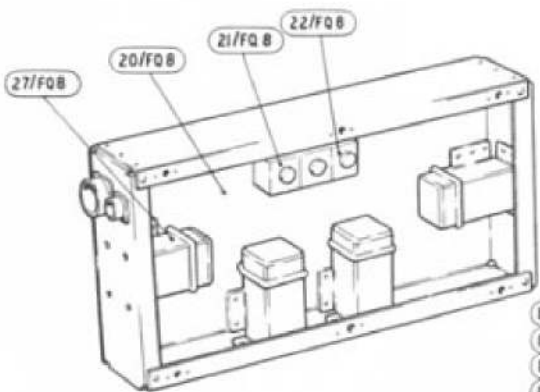
Ref. No.	Part No.	Description	No. off	Matl. Spec.	Cl. of St.	Plate and Illust'n No.
					M.R.	
6130-99-1102609		UNIT, POWER REFUELLING (40V6604) (Cont'd)				
	MULLARD 85/A2	Valve	2	—		FQ2/193
	BRIMAR 6AM6	Valve	2	—		FQ2/194
	OR 6064	Valve	2	—		FQ2/195
	BRIMAR 6BW6	Valve	2	—		FQ2/196
	ERICSSON XC354	Vibrator (Code No. X331C)	1	—		FQ2/197
	SANGAMO WESTON S32/1/221	Voltmeter, 0-50V.	1	—		FQ2/198

VULCAN Mk. 2

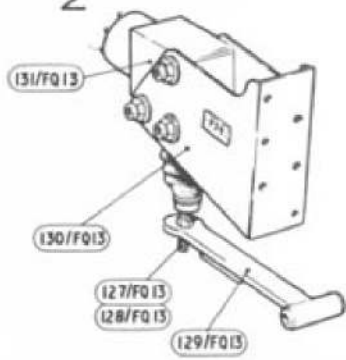
ELECTRICAL INSTALLATION
SUMMARY OF STANDARD ITEMS

Page FQ. 17

Stores Ref.		No. off	Stores Ref.		No. off	Stores Ref.		No. off
Section	Ref. No.		Section	Ref. No.		Section	Ref. No.	
28D	1008147	5	28M	10308	80	28W	9419474	58
28D	1010658	26	28M	10327	188	28W	9419475	64
28D	1008149	40	28M	9433473	96	28W	9419486	2
28D	1011006	2	28M	10310	2	28W	9419404	12
28D	1212278	4	28M	11957	10	28W	1009752	8
28D	1007972	16	28M	9435066	40	28W	9416642	2
28D	9436920	36	28M	9434251	16	28W	6315	8
28D	9133011	2	28M	9435067	16	28W	1206040	4
28D	9133013	8				28W	1206041	2
28D	9133014	24				28W	1006966	8
28D	1012995	8						
28D	1010031	4						
28D	1007974	8						
28D	1007973	31	28S	1200045	34			
28D	1214302	12	28S	1200049	22			
28D	9137408	44	28S	1200044	40			
28D	1007980	5	28S	1200050	28			
28D	9128739	12	28S	1200051	64			
28D	8337	10	28S	1008152	2			
28D	1007981	43	28S	9435712	33			
28D	1007982	4	28S	9419435	36			
28D	1212800	4	28S	9419453	90			
28D	1212806	4	28S	1200034	40			
28D	10472	8	28S	1200040	20			
			28S	1200033	35			
			28S	9437020	2			
			28S	9131095	12			
			28S	9997545	11			
			28S	9435713	34			
28FP	145	8	28S	9133016	8			
28FP	154	56	28S	9992522	8			
28FP	307	8	28S	1200055	8			
28FP	9425771	56	28S	1200056	4			
28FP	1200486	12	28S	1200058	16			
			28S	1200062	16			
			28S	9435716	4			
			28S	9435715	18			
			28S	1008329	8			
			28S	9992521	21			
28M	1200096	4						
28M	5238	40						
28M	9403519	20						
28M	1010995	29						
28M	5808573	8						
28M	1006473	14	28W	9419446	80			
28M	9129527	2	28W	9419401	194			
28M	10286	14	28W	9419454	133			
28M	1278189	70	28W	9419465	52			
28M	1278190	26	28W	9419402	26			
28M	10326	121	28W	9419473	34			



DETAIL 'B' PLATE 4



ELECTRICAL INSTALLATION
UNDERCARRIAGE BAY

(1)

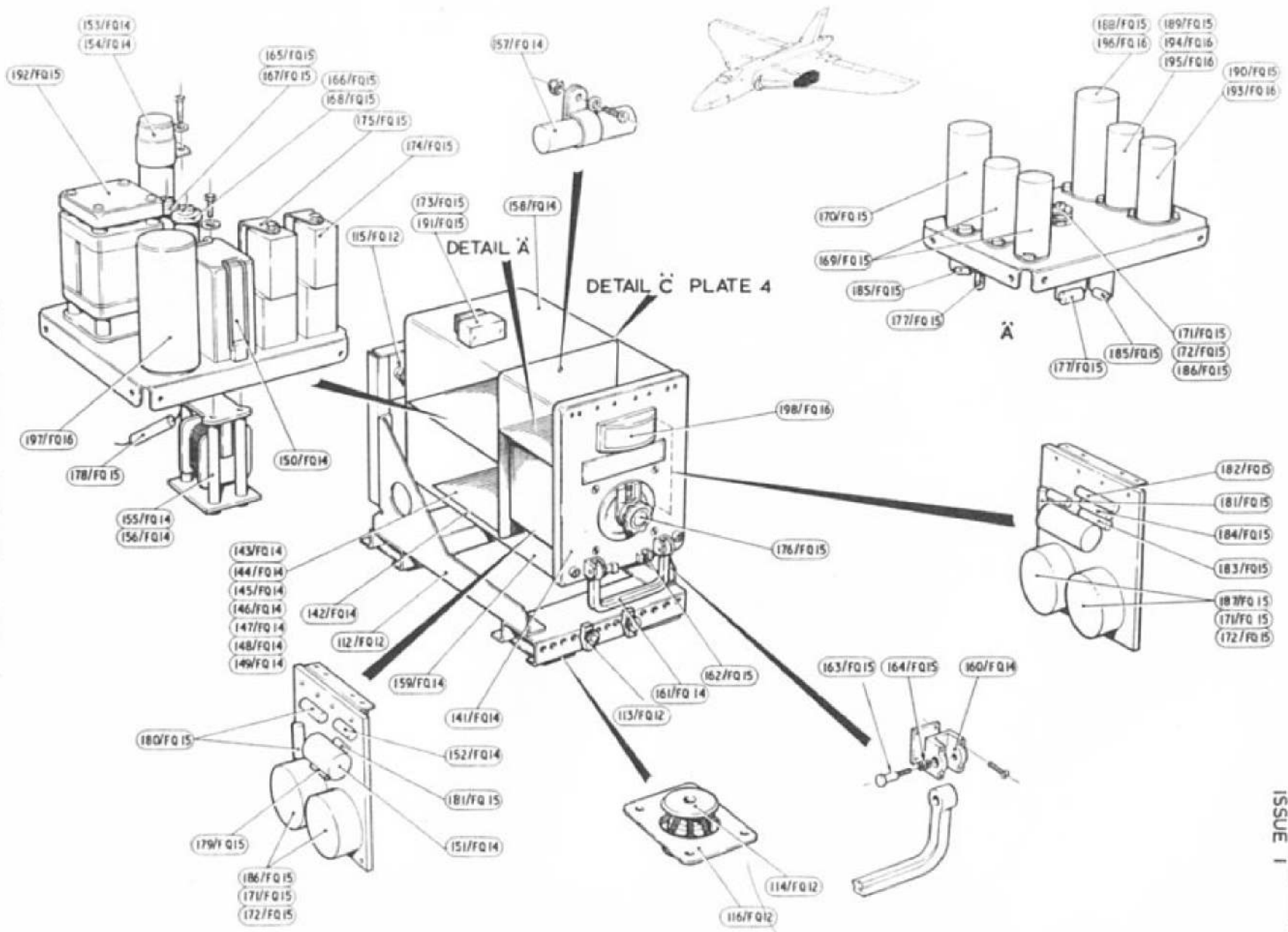
RESTRICTED

RESTRICTED

PLATE No. FQ1
ISSUE 1

ELECTRICAL INSTALLATION
UNDERCARRIAGE BAY

(2)



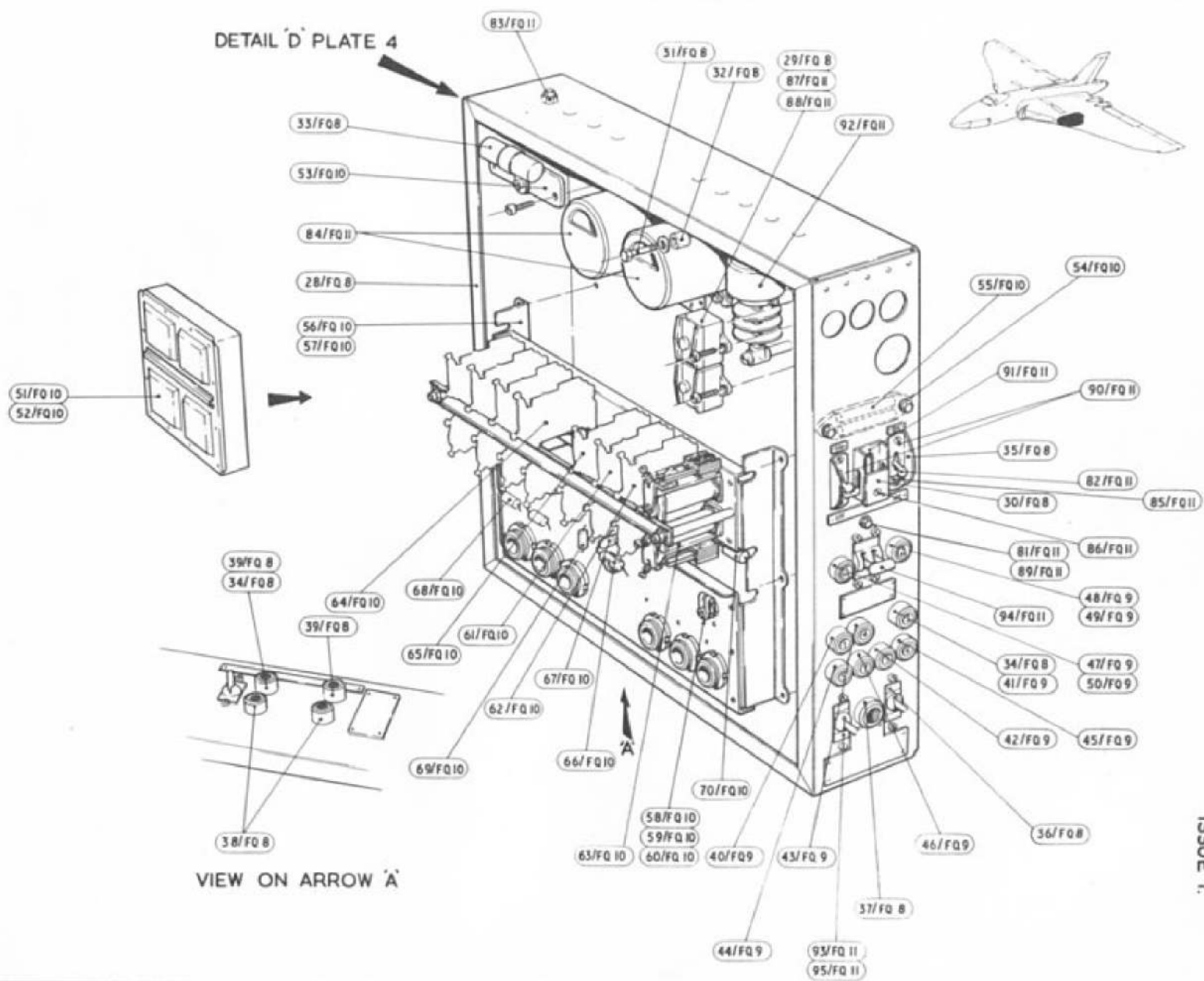
RESTRICTED

RESTRICTED

PLATE No. FQ.2
ISSUE 1



DETAIL 'D' PLATE 4



ELECTRICAL INSTALLATION
UNDERCARRIAGE BAY

(3)

RESTRICTED

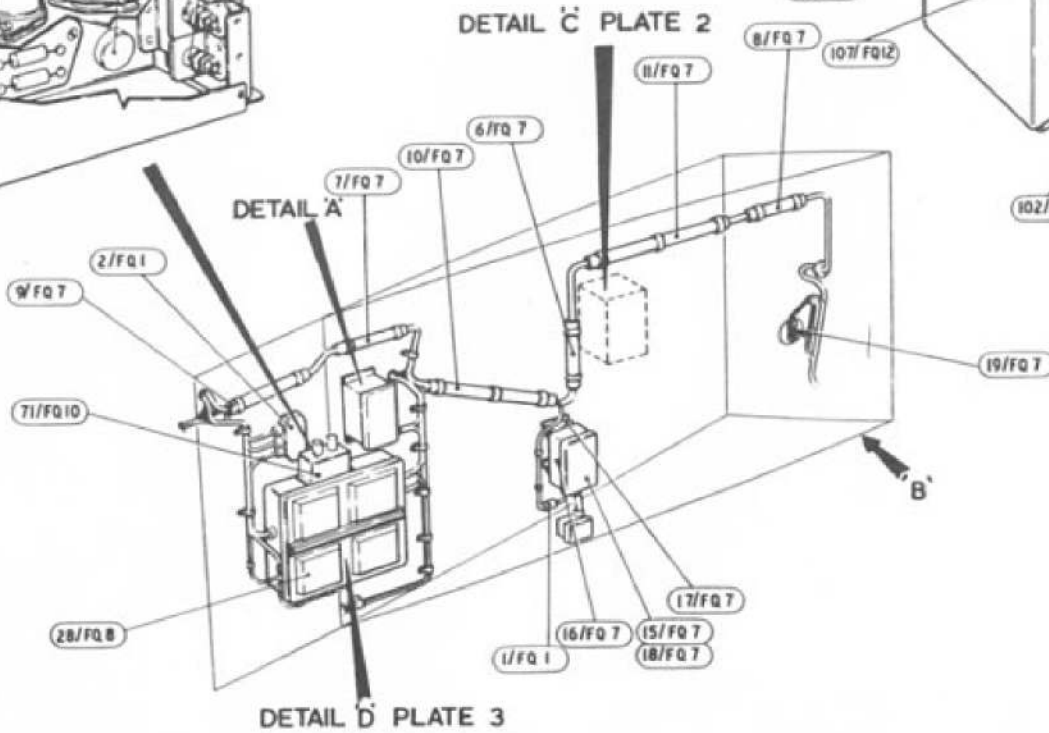
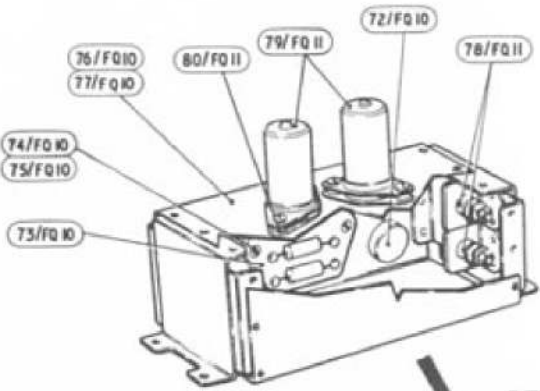
RESTRICTED

PLATE No. FQ 3
ISSUE 1.



ELECTRICAL INSTALLATION
UNDERCARRIAGE BAY

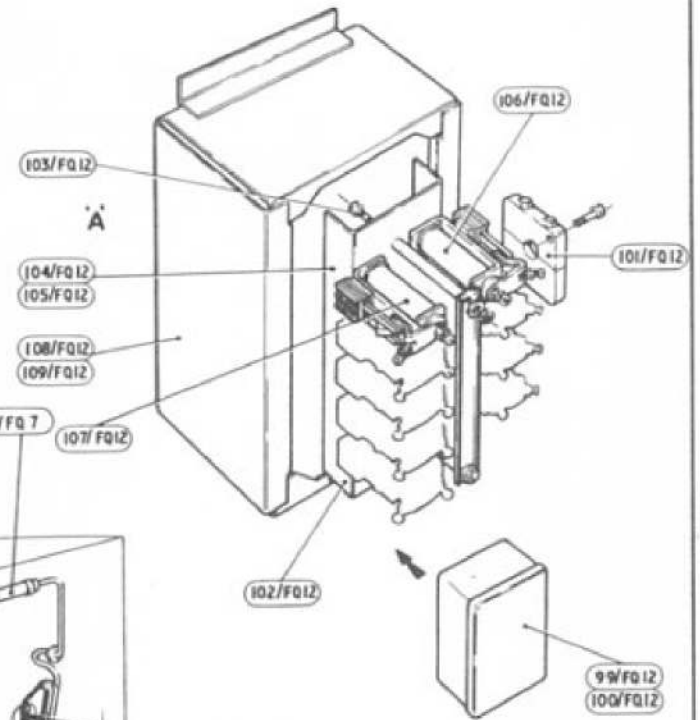
(4)



DETAIL C PLATE 2

DETAIL A

DETAIL D PLATE 3



RESTRICTED

RESTRICTED

PLATE No. FQ 4
ISSUE 1



This file was downloaded
from the RTFM Library.

Link: www.scottbouch.com/rtfm

Please see site for usage terms,
and more aircraft documents.