

VULCAN Mk. 2

EQUIPMENT AIRCRAFT
BRAKE PARACHUTE

Page GB. 1

Ref. No.	Part No.	Description	No. off	Matl. Spec.	Cl. of St.	Plate and Illust'n No.
					M.R.	
		1 2 3 4				
		BRAKE, PARACHUTE Spares for:— MECHANISM, PARACHUTE HOOK RELEASE (16D10782) (Mod. 1156) Spares for:—				
8655	9D10782	Bolt, at stop link	1	S94	C	GB1/1
7833	17D10714	Bolt, at hook attachment	1	S97	C	GB1/2
11806	90D10714	Bolt, at release catch	1	S97	C	GB1/3
	13D10782	Boom, reinforcing, port (Made from	1	L65	MR	
	14D10782	Boom, reinforcing, starboard (Made from	1	L65	MR	
1432738	7D10782	Boom, jointing (Made from 343SS3075 x	1	L65	C	
		Attachments for Boom Part No. (7D10782)				
28D/9133011	A25/2C	Bolt, 2 BA	5	—	C	
28M/5808573	A27/CS	Nut, 2 BA	5	—	C	
28P/1007741	SP9/C8	Pin, split	5	—	C	
28W/9419475	SP15/C	Washer, 2 BA	5	—	C	
7836	34D10714	Push, at hook attachment bolt	1	S94	C	GB1/4
11462	98D10784	CATCH, RELEASE, GROUP	1	—	B	GB1/5
		Spares for:—				
	70cD10784	Bush	1	S99		
	98bD10784	Catch (Alternative 98aD10784)	1	S97		GB1/6
	70bD10784	Link, sliding	1	S514	MR	GB1/7
26FP/14665	TECALEMIT NB5951	Nipple, grease (Miniature type)	1	—	C	GB1/8
11809	95D10784	Eye-bolt, for release catch spring	1	S96	C	GB1/9
	80D10784	Guard, rubber, at hook release catch	1	DTD2572/C4	MR	GB1/10
1432702	1D12015	HOOK, JETTISON, GROUP (Pre-Mod. 1898) .	1	—		
	10D12015	HOOK, JETTISON, GROUP (Mod. 1898)	1	—	A	GB1/11
		Spares for:—				
	5D10786	Bush	1	—	MR	
	3D12015	Block	1	—	MR	
	7D10786	Pin	1	—	MR	
	2D10786	Strut, link	1	—	MR	
8650	8D10782	Lever, cam	1	L51	C	GB1/12
11396	73D10784	LEVER, GROUP	1	—	B	GB1/13
		Spares for:—				
	73bD10784	Block	1	BSS2572/F8		
	S974-4-1/2	Screw, P.K. (for attachment 73bD10784) ..	2	—		
	1D10784	MECHANISM, RELEASE FOR PARACHUTE, GROUP	1	—		
1432703	101D10784	MECHANISM, RELEASE, SUB. ASSY., FOR PARACHUTE, GROUP (Mod. 1898)	1	—	A	GB1/14
		Spares for:—				
5W/5961	500/1/02042/001	Actuator, forward and aft (Mod., 569)	2	—	A	GB1/15

EQUIPMENT AIRCRAFT

BRAKE PARACHUTE

Ref. No.	Part No.	Description	No. off	Matl. Spec.	Cl. of St.	Plate and Illust'n No.
					M.R.	
		1 2 3 4				
		MECHANISM, RELEASE FOR PARACHUTE (D10784) (Cont'd.)				
	8D10784	Boss, at spring box	2	DTD410		GB1/16
8667	11D10784	BOX, SPRING, GROUP	1	—	B	GB1/17
8668	11dD10784	Consisting of:—				
	11bD10784	Bolt	1	S95	C	
	11eD10784	Collar, forward	1	S94		
		Collar, aft	1	S94		
28M/1007403	A27/E/T	Nut, lock	1	—	C	
8669	31SS4700	Spring	1	DTD215	C	
	11aD10784	Trunnion	1	S94		
	18SS3703	Washer, saddle	2	S1		
	69D10784	BUSH, ROLLER, GROUP (Mod. 1019)	2	—	MR	GB1/18
		Consisting of:—				
	69bD10784	Bush, oilite	2	—		
	69aD10784	Roller	2	S96		
28N/1007951	AGS2031/2	Circlip, external, at stop link	2	—	C	GB1/19
11465	1D10783	HOUSING FOR LEVERS, GROUP	1	—	C	GB1/20
	50D10784	LEVER, CAM, FOR AFT LEVER, GROUP	1	—		GB1/21
		Spares for:—				
8662	06/DU/12	Bush, 3/8" i/d x .75" long	2	—	C	
8660	2D10784	Lever, cam	1	—	C	
	51D10784	LEVER, IDLER, GROUP	1	—		GB1/22
		Spares for:—				
8662	06/DU/12	Bush, 3/8" i/d x .75" long	2	—	C	
9012	55D10784	Lever, idler	1	DTD130	C	
8666	4D10784	LEVER, spring box	1	Steel	C	GB1/23
	53D10784	LEVER, MICRO SWITCH, GROUP	1	—	MR	GB1/24
		Spares for:—				
8651	17D10784	Bolt, stop, for switch	1	S94	C	GB1/25
8670	16D10784	Lever, micro switch	1	Steel	C	
8672	54D10784	LINK, STOP, GROUP (Pre-Mod. 1898)	1	—	C	
1432974	100D10784	LINK, STOP, GROUP (Mod. 1898)	1	—	C	GB1/26
		Spares for:—				
8673	19D10784	Bush, .875" dia. x 2.03" long	1	BS369	C	
11986	18D10784	Link, stop for lever (Pre-Mod. 1898)	1	Steel	C	
1432975	4D13151	Link, stop for lever (Mod. 1898)	1	—		
	68D10784	MOUNTING, MICRO SWITCH, GROUP	1	—		
	DOWTY					
5CW/4400329	C1831/Y	Micro-switch, Mk. 102/D	1	—	A	GB1/27
8656	4D10782	Pin, pivot at stop link	1	L65	C	GB1/28

VULCAN Mk. 2

EQUIPMENT AIRCRAFT

Page GB. 3

BRAKE PARACHUTE

Ref. No.	Part No.	Description	No. off	Matl. Spec.	Cl. of St.	Plate and Illust'n No.
					M.R.	
		1 2 3 4				
		MECHANISM, RELEASE FOR PARACHUTE (D10784) (Cont'd.)				
8663	5D10784	Pin, at cam lever and idler lever	2	S94	C	GB1/29
	57D10784	Pin, thro housing spring box	1	S94	MR	GB1/30
9295	58D10784	Pin, thro lever spring box lever	1	S94	C	GB1/31
	59D10784	Pin, at cam lever	1	S94	MR	GB1/32
9292	60D10784	Pin, at micro switch and actuator bracket	2	S94	C	GB1/33
	61D10784	Pin, actuators to idler lever	3	S94	MR	GB1/34
	52D10784	ROLLER, ASSY, GROUP	1	—	MR	GB1/35
		Consisting of:—				
	GLACIER	Bush, 3/8" i/d x 375" long	1	—	MR	
	06/DU/06					
8662	GLACIER	Bush, 3/8" i/d x .75" long	1	—	C	
8664	06/DU/12	Roller, cam lever	1	S94	C	
	10D10784					
8658	32SS4700	Spring, at lever micro switch	1	DTD215	C	GB1/36
	TECALEMIT					
28N/9156370	SP21	Nipple, grease, at bolt (17D10714) and (9D10782)	2	—	C	
8657	10D10782	Pad, clamping	8	L72	C	GB1/37
		Attachments for Pad Part No. (10D10782)				
28D/9133012	A25/3C	Bolt, 2 BA	8	—	C	
28M/1012015	AGS2001/C1/66	Nut, 2 BA	8	—	C	
28W/9419475	SP15/C	Washer, 2 BA	8	—	C	
8654	6D10782	Plate, locking, at eccentric stop	1	L72	C	GB1/38
	81D10784	Plate, reinforcing, for rubber guard at hook release catch	1	L72		
11810	96D10784	Piece, distance, at release catch	1	L56	C	GB1/39
13352	17D10782	PIP PIN, GROUP	—	—	C	GB1/40
		Consisting of:—				
	AS2839	Collar	2	—		
	Z403/11	Pip-pin	1	—		
28W/9435073	AS4561/2	Tab, locking	1	—	C	
	17aD10782	Rope, steel wire, 8" long	1	6W2		
11808	4V6641	Pin, striking, at cam lever	1	S80	MR	GB1/41
8652	94D10784	Spring, at release catch	1	—	C	GB1/42
8653	36SS4700	Spring, torque cam lever	1	—	C	GB1/43
	5D10782	Stop, eccentric	1	L94	C	GB1/44
	DOWTY					
5CW/4400329	C1831/Y	Switch, micro Mk. 9	1	—	A	GB1/45
7834	24D10714	Washer, under head of bolt (34D10714)	1	L65	C	GB1/46
7835	25D10714	Washer, under nut for bolt (34D10714)	1	L65	C	GB1/47
	97D10784	Washer, at release catch	1	S511		GB1/48

EQUIPMENT AIRCRAFT

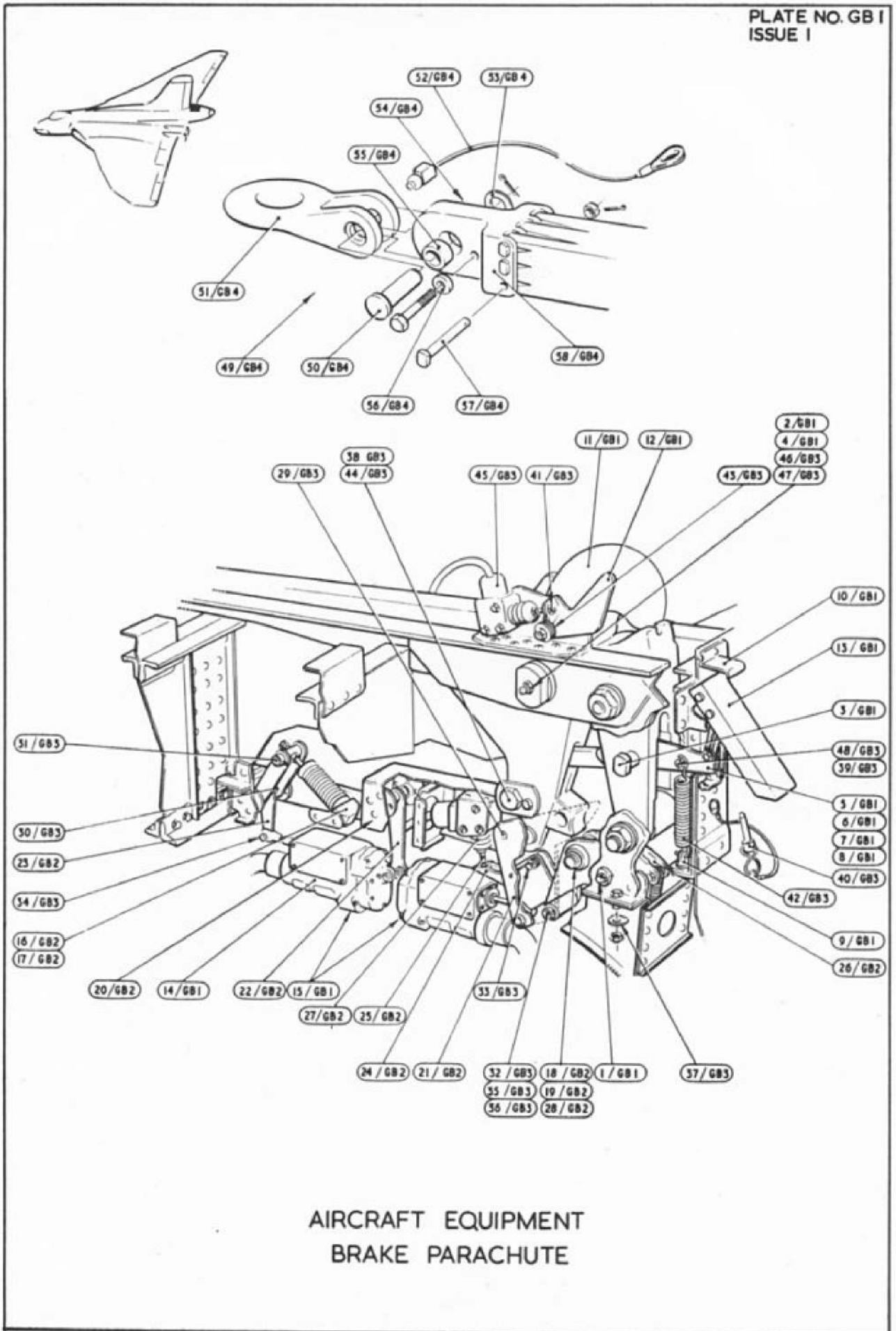
BRAKE PARACHUTE

Ref. No.	Part No.	Description	No. off	Matl. Spec.	Cl. of St.	Plate and Illust'n No.
					M.R.	
		1 2 3 4				
15D/629	MR1/GQ/349	PARACHUTE, BRAKE, TYPE LB.4, Mk. 1	1	—	A	
		Spares for:—				
		SHACKLE, PARACHUTE, GROUP (1Z9321) ..				GB1/49
		Spares for				
28P/12366	9Z9321	Pin, shear	1	L65	MR	GB1/50
	SP9/K20	Pin, split	3	—	C	
	8Z9321	Shackle, ring	1	S97	MR	GB1/51
9604	6Z9321	STRAP, PARACHUTE RETAINING,	1	—	C	GB1/52
		GROUP				
	4Z9321	Washer, special (at shear pin 9Z9321)	1	—	MR	GB1/53
15D/659	1Z9322	SHACKLE, PARACHUTE, GROUP	1	—		GB1/54
		Consisting of:—				
28D/1011249	A25/28E	Bolt, 1/4" BSF	1	—	C	
	5Z9322	Bush	1	S96		GB1/55
	6Z9322	Bush	2	S94		GB1/56
28N/9513425	AGS899/12	Collar	3	—	C	
28M/9480017	AGS2001/E1/66	Nut, stiff, 1/4" BSF	1	—	C	
8401	5Z9321	Pin, special	3	S94	C	GB1/57
28P/9429653	SP9/G12	Pin, split	3	—	C	
	2Z9322	Shackle	1	L65		GB1/58
28W/9418920	SP10/E	Washer, thin, 1/4" BSF	1	—	C	

VULCAN Mk. 2

EQUIPMENT AIRCRAFT
BRAKE PARACHUTE
SUMMARY OF STANDARD ITEMS

Stores Ref.		No. off	Stores Ref.		No. off	Stores Ref.		No. off
Section	Ref. No.		Section	Ref. No.		Section	Ref. No.	
28D	12531	8	28P	12366	3	28W	9418920	1
28D	9133011	5	28P	1007741	5	28W	9419475	13
			28P	9429653	3	28W	9435073	1
28M	12088	8						
28M	10290	1						
28M	12931	1						
28M	13121	5						
28N	5559	3						
28N	13018	2						
28N	9156370	2						



AIRCRAFT EQUIPMENT
BRAKE PARACHUTE

This file was downloaded
from the RTFM Library.

Link: www.scottbouch.com/rtfm

Please see site for usage terms,
and more aircraft documents.

