

VULCAN Mk. 2

EQUIPMENT AIRCRAFT
CURTAINS AND VISORS

Page GD. 1

Ref. No.	Part No.	Description	No. off	Matl. Spec.	Cl. of St.	Plate and Illust'n No.
					M.R.	
		1 2 3 4				
		CURTAINS AND VISOR ASSEMBLIES Spares for:—				
		CURTAINS ANTI-FLASH FOR PRESSURE CABIN WINDOWS, PORT AND STARBOARD (1 & 2 Z9775) (Mod. 432)				
		Spares for:—				
9709	3Z9775	CURTAIN, PORT, GROUP (Pre-Mod. 1382)	1	—		
	9Z9775	CURTAIN, PORT, GROUP (Mod. 1382)	1	—	B	GD1/1
	4Z9775	CURTAIN, STARBOARD, GROUP	1	—		
		(Pre-Mod. 1382)				
9710	10Z9775	CURTAIN, STARBOARD, GROUP	1	—	B	GD15/2
		(Mod. 1382)				
	7100/14/881	Fastener, zip	1	—		
	5Z9775	Plate, retaining, aft, port	1	L72		GD1/3
	6Z9775	Plate, retaining, aft, starboard	1	L72		GD1/4
	7Z9775	Plate, retaining, forward, port	1	L72		GD1/5
	8Z9775	Plate, retaining, forward, starboard	1	L72		GD1/6
	6Z9710	Stud, retaining, top	1	—		GD1/7
29G/2172	248	Stud, dot fastener (Carr's)	2	—	C	GD1/8
		Attachments for Curtains Part Nos. (3-4Z9775 or 9-10Z0775)				
		Bolt, 4 BA	8	—	C	
28D/1007285	AS1242/1B	Bolt, 2 BA	34	—	C	
28D/1007982	AS1248/1C	Bolt, 2 BA (Starboard only)	2	—	C	
26FP/13004	5SS3158					
		CURTAINS AFT OF PILOT'S POSITION CREW'S STATION 1Z9936 (Pre-Mod. 2355) 9Z9936 (Mod. 2355) (Pre-Mod. 2433) 24Z9936 (Mod. 2433)				
		Spares for:—				
	5Z9936	CURTAIN AFT AND ABOVE PILOT'S	1	—	MR	
1510556	10Z9936	FLOOR, GROUP (Pre-Mod. 2355) CURTAIN AFT AND ABOVE PILOT'S	1	—	B	GD1/10
		FLOOR, GROUP (Mod. 2355) (Pre-Mod. 2433)				
6116218	27Z9936	CURTAIN AFT AND ABOVE PILOT'S	1	—	B	
		FLOOR, GROUP (Mod. 2433)				
9025	13Z9711	CURTAIN BELOW PILOT'S FLOOR,	1	—	B	
		PORT, GROUP (Mod. 1177) (Pre-Mod. 2355)				
1510558	11Z9936	CURTAIN BELOW PILOT'S FLOOR,	1	—	B	GD1/19
		PORT, GROUP (Mod. 2355) (Pre-Mod. 2433)				
6116220	25Z9936	CURTAIN BELOW PILOT'S FLOOR	1	—	B	
		PORT, GROUP (Mod. 2433)				
9028	26Z9711	CURTAIN BELOW PILOT'S FLOOR,	1	—	B	
		STARBOARD, GROUP (Mod. 503) (Pre-Mod. 2355)				
	12Z9936	CURTAIN BELOW PILOT'S FLOOR,	1	—		GD1/11
		STARBOARD, GROUP (Mod. 2355, Pre-Mod. 2433)				
6116219	26Z9936	CURTAIN BELOW PILOT'S FLOOR,	1	—	B	
		STARBOARD, GROUP (Mod. 2433)				
	2Z9936	CURTAIN CENTRAL BELOW PILOT'S	1	—		
		FLOOR, GROUP (Pre-Mod. 2355)				
1510559	13Z9936	CURTAIN CENTRAL BELOW PILOT'S	1	—	B	GD1/12
		FLOOR, GROUP (Mod. 2355) (Pre-Mod. 2433)				
6116221	28Z9936	CURTAIN CENTRAL BELOW PILOT'S	1	—	B	
		FLOOR, GROUP (Mod. 2433)				

EQUIPMENT AIRCRAFT
CURTAINS AND VISORS

Ref. No.	Part No.	Description	No. off	Matl. Spec.	Cl. of St.	Plate and Illust'n No.
					M.R.	
		1 2 3 4				
		CURTAINS AFT OF PILOT'S POSITION CREW'S STATIONS 1Z9936 (Pre-Mod. 2355) 9Z9936 (Mod. 2355, Pre-Mod. 2433) 24Z9936 (Mod. 2433) (Cont'd)				
21421	3Z9936	CURTAIN FLAP CENTRAL BELOW PILOT'S FLOOR, STARBOARD, GROUP (Pre-Mod. 2355)	1	—	B	
	14Z9936	CURTAIN FLAP CENTRAL BELOW PILOT'S FLOOR, STARBOARD, GROUP (Mod. 2355, Pre-Mod. 2433)	1	—	MR	GD1/13
6116222	29Z9936	CURTAIN FLAP CENTRAL BELOW PILOT'S FLOOR, STARBOARD, GROUP (Mod. 2433)	1	—	B	
	14SS3529	Grommet	1	—		GD1/14
	10Z7897	Strip, retaining, 20G x 18" x 2"	1	L72		GD1/15
	17Z7897	Strip, retaining, 20G x 5.5" x 1.25"	1	L72		GD1/16
10867	4Z9711	Strip, retaining, 20G x 7.2" x 1"	1	L72	C	GD1/17
10868	5Z9711	Strip, retaining, 20G x 1" x 1"	1	L72	C	GD1/18
	7Z9711	Strip, retaining, 20G x 7.75" x 1"	1	L72	—	GD1/19
10869	8Z9711	Strip, retaining, 20G x 2" x 1"	1	L72	C	GD1/20
10870	19Z9711	Strip, retaining, 20G x 15.25" x 1.25"	1	L72	X	GD1/21
10871	20Z9711	Strip, retaining, 20G x 15.25" x 1.25"	1	L72	C	GD1/22
	32Z9711	Strip, retaining, 20G x 15.25" x 1.25"	1	L72		GD1/23
	33Z9711	Strip, retaining, 20G x 16" x 1.25"	1	L72		GD1/24
	CARR					
29G/4074	680	Stud, 3/8" long dot fastener	AR	—	C	GD1/25
29G/2172	248	Stud, dot fastener	18	—	C	GD1/26
	CARR					
29G/4436	861	Stud, 5/8" long, dot fastener	3	—	C	GD1/27
		VISORS, ANTI-GLARE & BLACKOUT CURTAINS PILOT'S SIDE WINDOWS IN CANOPY, PORT & STARBOARD (D10094) Spares for:—				
9021	49D10094	BLIND BLACKOUT, PORT, GROUP	1	—	C	GD1/28
9022	50D10094	BLIND BLACKOUT, STARBOARD, GROUP ..	1	—	C	GD1/29
	63D10094	BLIND SUN, PORT, GROUP	1	—	MR	GD1/30
	64D10094	BLIND SUB, STARBOARD, GROUP	1	—	MR	GD1/31
		Spares for:—				
	59D10094	Clamp	2	—	MR	GD1/32
	44D10094	Nut, knurled 3/4" dia. x 1/2"	2	S1	MR	GD1/33
	58D10094	Screw	2	—	MR	GD1/34
	45D10094	Spring, tension	2	—	MR	GD1/35
	25D10094	Rail, slide, upper forward, port	1	L72	C	
	26D10094	Rail, slide, upper forward, starboard	1	L72		
	27D10094	Rail, slide, aft upper, port	1	L72		
	28D/10094	Rail, slide, aft upper, starboard	1	L72		
	29D/10094	Rail, slide, forward centre, port	1	L72		
	30D/10094	Rail, slide, forward centre, starboard	1	L72		
	31D10094	Rail, slide, aft centre, port	1	L72		
	32D10094	Rail, slide, aft centre, starboard	1	L72		
	33D10094	Rail, slide, forward lower, port	1	L72		
	34D10094	Rail, slide, forward lower, starboard	1	L72		
	35D10094	Rail, slide, aft lower, port	1	L72		
	36D10094	Rail, slide, aft lower, starboard	1	L72		

VULCAN Mk. 2

EQUIPMENT AIRCRAFT
CURTAINS AND VISORS

Page GD. 3

Ref. No.	Part No.	Description	No. off	Matl. Spec.	Cl. of St.	Plate and Illust'n No.
					M.R.	
		1 2 3 4				
		VISORS ANTI-GLARE & BLACKOUT CURTAINS, PILOT'S SIDE WINDOWS IN CANOPY, PORT & STARBOARD (D10094) (Cont'd)				
	51D10094	SHROUD, LOWER, PORT, GROUP	1	—		
	52D10094	SHROUD, LOWER, STARBOARD, GROUP ..	1	—		
	53D10094	SHROUD, UPPER, PORT, GROUP	1	—		
	54D10094	SHROUD, UPPER, STARBOARD, GROUP ...	1	—		
9238	1Z9770	SCREEN ANTI-FLASH FOR BOMB AIMER'S WINDOW, GROUP	1	—	B	GD1/36
28N/9486470	AS1877/175	Spares for:— Hinge (undrilled)	1	—		
	11Z9770	Seal, rubber (Made from 1SS4293 or 1SS3976 x 3' 2" long)	1	—	MR	GD1/37
	7Z9770	Strip, seal retaining, outboard, centre, port and starboard	2	L72	—	GD1/38
	8Z9770	Strip, sorbo rubber, 5/8" x 1/4" x 38" long	2	—		GD1/39
	12Z9770	Strip, seal retaining, aft port and starboard	2	L72		GD1/40
	13Z9770	Strip, seal retaining, forward, port and starboard	2	L72		GD1/41
10305	56Z9782	SCREEN ANTI-FLASH AT WINDSCREEN, GROUP (Mod. 1382) (Pre-Mod. 2355)	1	—		
1510561	57Z9782	SCREEN ANTI-FLASH AT WINDSCREEN, GROUP (Mod. 2355) (Pre-Mod. 2433)	1	—		
6116223	61Z9782	SCREEN ANTI-FLASH AT WINDSCREEN, GROUP (Mod. 2433)	1	—	B	
10812	25Z9782	Spares for:— Block, moulded rubber (Mod. 432)	2	K9160		GD1/42
	22Z9782	Cap	2	—	MR	GD1/43
	1Z9846	POCKET, STOWAGE, GROUP	1	—	MR	GD1/44
	34Z9782	Ring	2	—	MR	GD1/45
	24Z9782	SCREEN, ANTI-FLASH, STARBOARD, GROUP (Pre-Mod. 1382)	1	—		
	53Z9782	SCREEN ANTI-FLASH, STARBOARD, GROUP (Mod. 1382) (Pre-Mod. 2355)	1	—		
	59Z9782	SCREEN ANTI-FLASH, STARBOARD, GROUP (Mod. 2355) (Pre-Mod. 2433)	1	—		GD1/46
	63Z9782	SCREEN ANTI-FLASH, STARBOARD, GROUP (Mod. 2433)	1	—	B	
	31Z9782	SCREEN ANTI-FLASH, PORT, GROUP (Pre-Mod. 1382)	1	—		
	52Z9782	SCREEN ANTI-FLASH, PORT, GROUP (Mod. 1382) (Pre-Mod. 2355)	—	—		
	58Z9782	SCREEN ANTI-FLASH, PORT, GROUP (Mod. 2355) (Pre-Mod. 2433)	—	—		GD1/47
	62Z9782	SCREEN ANTI-FLASH, PORT, GROUP (Mod. 2433)	1	—	B	

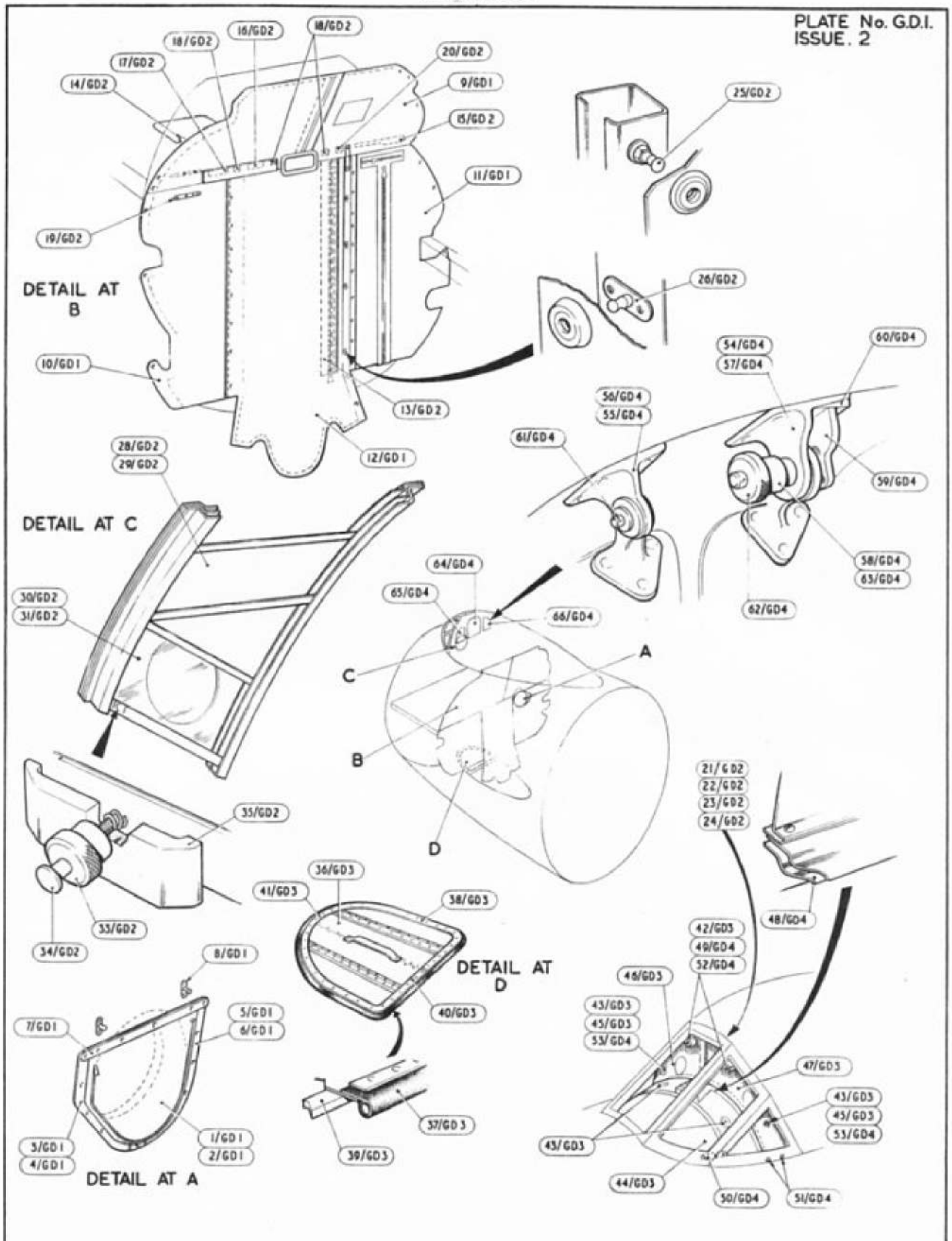
EQUIPMENT AIRCRAFT
CURTAINS AND VISORS

Ref. No.	Part No.	Description	No. off	Matl. Spec.	Cl. of St.	Plate and Illust'n No.
					M.R.	
		1 2 3 4				
		SCREEN ANTI-FLASH AT WINDSCREEN (56-57-61Z9782) (Cont'd)				
9243	36Z9782 HELVIN HV3254 39Z9782 CARR	Seal	1	—	C	GD1/48
		Strap, port and starboard, 10" long	2	—		GD1/49
		Strip, retaining, 20G x 5/8" x 5" long	2	L72		GD1/50
29G/1050239	759 HELVIN	Stud	8	—	C	GD1/51
5F/9138823 17521	NY3255 49Z9782	Stud	4	—	C	GD1/52
		Washer	2	—	C	GD1/53
		VISORS, ANTI-GLARE AT PILOT'S WINDSCREEN, PORT CENTRE AND STARBOARD (1Z7762)				
		Spares for:—				
	3Z7762	Bracket, hinge, port visor, L.H., starboard, visor, R.H.	2	DTD364B	MR	GD1/54
	4aZ7762	Bracket, hinge, port visor, R.H.	1	DTD364B	MR	GD1/55
4399	4bZ7762	Bracket, hinge, starboard visor, L.H.	1	DTD364B	MR	GD1/56
	5Z7762	Bracket, hinge, centre visor, L.H. and R.H. ..	2	DTD364B	C	GD1/57
	14Z7762	Bush, rubber through hinge bracket	2	BTR1851	MR	GD1/58
	9Z7762	CATCH, ASSEMBLY, GROUP	4	—	MR	GD1/59
	15Z7762	Packing, at hinge bracket	4	DTD364B	MR	GD1/60
28P/9143877	SP9/C4	Pin, split, port and starboard	2	—	C	
28P/1008915	SP9/A4	Pin, split, port and starboard	2	—	C	
	17Z7763	Pin, split, port and starboard, L.H.	2	S110	MR	GD1/61
	2Z7762	Screw, knurled	4	DTD364B	MR	GD1/62
	19Z3413	Spring, tension	4	—	MR	GD1/63
	16Z7762	VISOR, ANTI-GLARE, CENTRE, GROUP	1	—	MR	GD1/64
	7Z7762	VISOR, ANTI-GLARE, PORT, GROUP	1	—	MR	GD1/65
	8Z7762	VISOR, ANTI-GLARE, STARBOARD, GROUP	1	—	MR	GD1/66
	10Z7762	Washer, at catch, centre visor	2	Fibre	MR	

VULCAN Mk. 2

EQUIPMENT AIRCRAFT
 CURTAINS AND VISORS
 SUMMARY OF STANDARD ITEMS

Stores Ref.		No. off	Stores Ref.		No. off	Stores Ref.		No. off
Section	Ref. No.		Section	Ref. No.		Section	Ref. No.	
28D	1007285	8	28N	9486470	1			
28D	1007982	34	28P	9143877	2			
			28P	1008915	2			



CURTAINS AND VISORS

This file was downloaded
from the RTFM Library.

Link: www.scottbouch.com/rtfm

Please see site for usage terms,
and more aircraft documents.

