

VULCAN Mk. 2

EQUIPMENT AIRCRAFT
DINGHY INSTALLATION

Page GE. 1

Ref. No.	Part No.	Description	No. off	Matl. Spec.	Cl. of St.	Plate and Illust'n No.
					M.R.	
		1 2 3 4				
2067	1Z7578	DINGHY INSTALLATION Spares for:— DINGHY STOWAGE AND RELEASE Mk. 3 OPERATING HEAD TYPE "L" REAR OF CANOPY, GROUP Spares for:—	1	—	A	GE1/1
	W. KIDDE K2849	Ball	1	—		
	1Z7585	BLOCK, CABLE, RELEASE, GROUP Spares for:—	1	—		GE1/2
13851	3Z7585	Block, adjuster	1	DTD130	C	GE1/3
	7Z7585	Knob, for lock pin	1	DTD130	MR	GE1/4
	6Z7585	Pin, lock	1	DTD130		GE1/5
26FP/1052	4SS1237	Spring, 0.187" i/d x 3/4" long	—	—	C	GE1/6
	49Z7578	Block, support (Mod. 1878)	—	—		GE1/7
4190	29Z7578	CABLE ADJUSTER TO BOLT, GROUP (See Wire Cable Schedule)	1	—	C	GE1/8
	33Z7578	CABLE BETWEEN BOLT, GROUP	1	—	MR	GE1/9
	33aZ7578	Consisting of:— CABLE, GROUP	2	—		
28M/1006504	A27/BT	Locknut, 4 BA, RH	1	—	C	
28M/4095884	A27/BTL	Locknut, 4 BA, LH	1	—	C	
	SP8/71	Rod, tension	1	—		
	22Z7578	Collar, front 3/4" dia. x 3/8"	1	DTD130	MR	GE1/10
	23Z7578	Collar, rear 5/8" dia. x 3/8"	1	DTD130	MR	GE1/11
6817	36Z7578	Coupling, high temp, discharge	1	—	C	GE1/12
	1Z7584	COVER DINGHY STOWAGE, GROUP Spares for:—	—	—	MR	GE1/13
	19Z7584	Bracket, hinge, front, starboard	1	DTD130		GE1/14
	20Z7584	Bracket, hinge, rear, starboard	1	DTD130		GE1/15
	22Z7584	Bracket, hinge, front, port	1	DTD130		GE1/16
	23Z7584	Bracket, hinge, rear, port	1	DTD130		GE1/17
	9SS4299	Plug, rubber	8	DTD560		
	10SS4299	Plug, rubber	8	DTD560	MR	
	46Z7578	HANDLE, DINGHY, RELEASE, GROUP (Pre-Mod. 1902)	1	—		
	59Z7578	HANDLE, DINGHY, RELEASE, GROUP (Mod. 1902) (Pre-Mod. 2154)	1	—	MR	
	62Z7578	HANDLE, DINGHY, RELEASE, GROUP (Mod. 2154)	1	—	MR	GE1/18

EQUIPMENT AIRCRAFT
DINGHY INSTALLATION

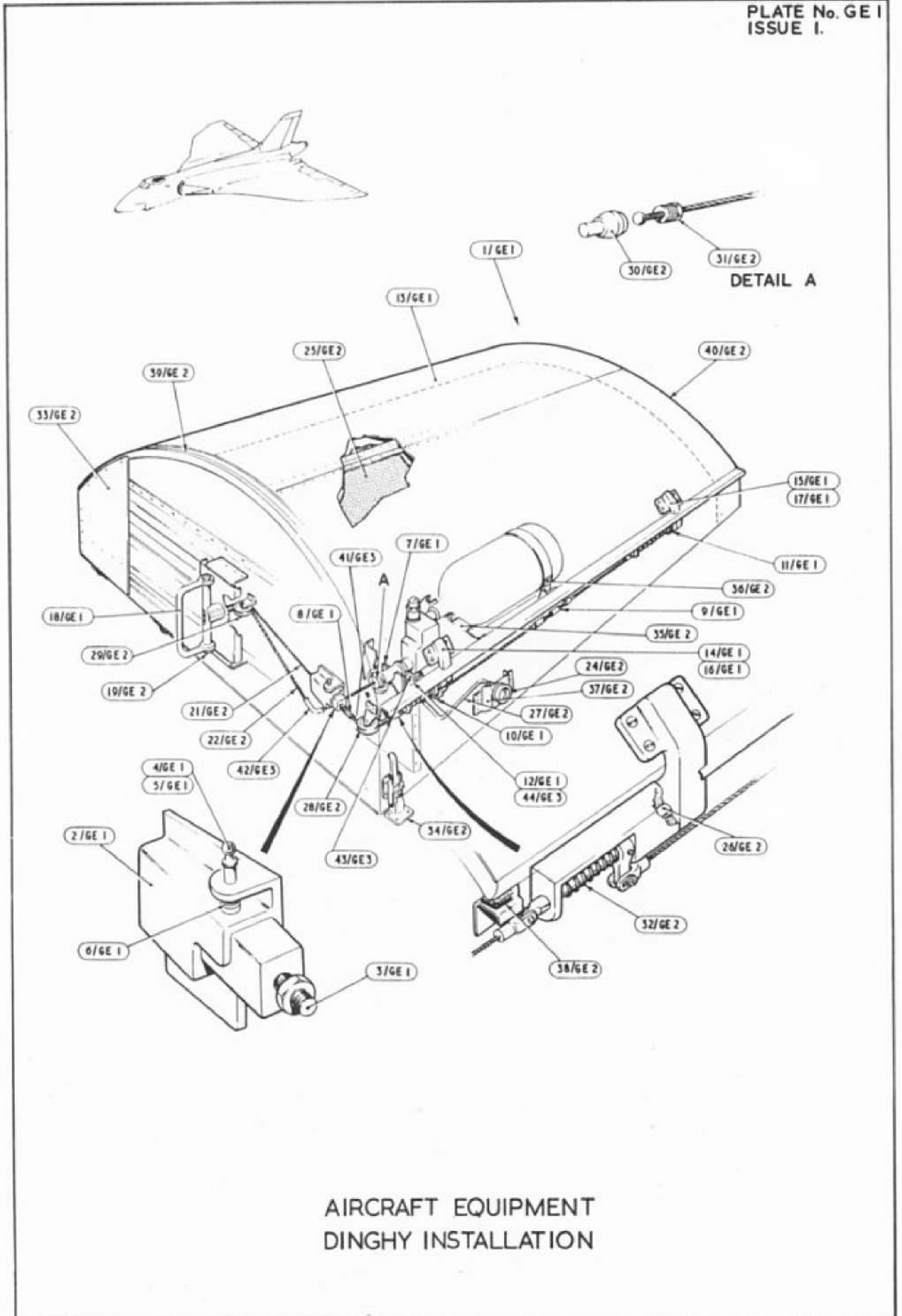
Ref. No.	Part No.	Description	No. off	Matl. Spec.	Cl. of St.	Plate and Illust'n No.
					M.R.	
		1 2 3 4				
		HANDLE, DINGHY, RELEASE, GROUP (46Z7578) (59Z7578) (62Z7578) (Cont'd)				
	32Z7578	Bolt, special	2	—	MR	GE1/19
6816	45Z7578	HANDLE, C/W CABLES, GROUP	1	—	B	
13826	58Z7578	HANDLE, C/W CABLES, GROUP	1	—	B	
		(Mod. 1902) (Pre-Mod. 2154)				
1433650	61Z7578	HANDLE, C/W CABLES, GROUP	1	—	B	GE1/20
		(Mod. 2154)				
		Spares for:—				
	5Z7578	CABLE TO BRAKE, GROUP	1	—	MR	GE1/21
		(See Wire Cable Schedule)				
	40Z7578	CABLE TO BOTTLE, GROUP	1	—	MR	GE1/22
		(See Wire Cable Schedule)				
	30Z7578	HANDLE, GROUP (Pre-Mod. 1902)	1	—		
	57Z7578	HANDLE, GROUP (Mod. 1902)	1	—		
		(Pre-Mod. 2154)				
	60Z7578	HANDLE, GROUP (Mod. 2154)	1	—		GE1/23
6D/1852	—	Indicator, discharge	1	—	B	GE1/24
26FP13806	6Z2556	Pin, emergency	1	—	C	GE1/25
4586	20Z7578	Pin, release	2	S1	C	GE1/26
21598	38Z7578	PIPE, DISCHARGE, 20G x 3/16" DIA. x 10"	1	L56	C	GE1/27
		LONG APPROX., GROUP				
28R/1038190	AS1151	Pulley, single	1	—	B	GE1/28
28R/4694998	AS1152	Pulley, double	1	—	B	GE1/29
6814	W. KIDDE K13143	Slug, cable (female half)	1	—	B	GE1/30
6815	W. KIDDE K13142	Slug, cable (male half)	1	—	B	GE1/31
	21Z7578	Spring, 20G x 2-1/2" free length	2	Spring Steel	MR	GE1/32
	48Z7578	STRUCTURE BOX, GROUP	1	—		GE1/33
		Spares for:—				
21599	4Z7578	Bolt, spigot	2	—	C	GE1/34
	10Z7578	Bracket for bottle	1	—		GE1/35
	11Z7578	Bracket for bottle	1	—		GE1/36
	37Z7578	Bracket	1	—		GE1/37
	24Z7578	Seal, strip rubber	2	—	MR	GE1/38
	27Z7578	Seal, strip rubber	1	—	MR	GE1/39
	35Z7578	Seal, strip rubber	1	—	MR	GE1/40

VULCAN Mk. 2

EQUIPMENT AIRCRAFT
DINGHY INSTALLATION

Page GE. 3

Ref. No.	Part No.	Description	No. off	Matl. Spec.	Cl. of St.	Plate and Illust'n No.
					M.R.	
		1 2 3 4				
		DINGHY STOWAGE AND RELEASE (1Z7578) (Cont'd)				
	47Z7578	BRACKET, GROUP	1	—		GE1/41
		Spares for:—				
12368	47G7578	Clip	1	—	C	
29H/1374601	TERRY No. 169	Ring, split, 1" o/d	1	—	C	
6818	44Z7578	Tube, cable, 20G x 9/16" o/d x 5"	1	DTD464A	C	GE1/42
6D/1851	—	Unit, piston, high temp., discharge	1	—	B	GE1/43
6819	39Z7578	Washer, seating	1	DTD762	C	GE1/44



AIRCRAFT EQUIPMENT
DINGHY INSTALLATION

This file was downloaded
from the RTFM Library.

Link: www.scottbouch.com/rtfm

Please see site for usage terms,
and more aircraft documents.

