

VULCAN Mk. 2

## EQUIPMENT AIRCRAFT

Page GF. 1

## FIREPROOFING AND SOUNDPROOFING

Ref. No.	Part No.	Description	No. off	Matl. Spec.	Cl. of St.	Plate and Illust'n No.
					M.R.	
		1 2 3 4				
28D/1007981	AS1248/1/2C	FIREPROOFING AND SOUNDPROOFING Spares for:— FIREPROOFING, INBOARD AND OUTBOARD ENGINE BAYS, PORT AND STARBOARD (1 & 2E2931) Spares for:— Bolt, mush. head .....	340	—	C	
		FIREPROOFING, RIB 63.5", PORT AND STARBOARD (1 & 2E2935) (1 & 2E3550) (Mod 2218) Spares for:— Angle, for heat shield .....	1	S521	MR	
	84E2935	Angle, for heat shield .....	1	S521	MR	
	45E2936	Angle, sealing, port .....	1	AVR50		
	47E2935	BRACKET, MOUNTING, GROUP .....	1	—	MR	GF2/1
28D/9436920 28W/9419402	A25/1C SP13/C	Attachments Bracket (47E2935) Bolt .....	4	—	C	
		Washer .....	4	—	C	
	7E2935	PANEL, FIREPROOF, PORT, GROUP .....	1	—	MR	GF2/4
	9E2935	PANEL, FIREPROOF, PORT, GROUP .....	1	—	MR	GF2/5
	10E2935	PANEL, FIREPROOF, STBD., GROUP .....	1	—	MR	GF3/6
	11E2935	PANEL, FIREPROOF, PORT, GROUP .....	1	—	MR	GF2/7
	12E2935	PANEL, FIREPROOF, STBD., GROUP .....	1	—	MR	GF3/8
	13E2935	PANEL, FIREPROOF, PORT, GROUP .....	1	—	MR	GF2/9
	14E2935	PANEL, FIREPROOF, STBD., GROUP .....	1	—	MR	GF3/10
	60E2935	PANEL, FIREPROOF, STBD., GROUP .....	1	—	MR	GF3/11
	64E2935	PANEL, FIREPROOF, PORT, GROUP .....	1	—	MR	GF2/12
	65E2935	PANEL, FIREPROOF, STBD., GROUP .....	1	—	MR	GF3/13
	66E2935	PANEL, FIREPROOF, PORT, GROUP .....	1	—	MR	GF2/14
	67E2935	PANEL, FIREPROOF, PORT, GROUP .....	1	—	MR	GF2/15
	74E2935	PANEL, FIREPROOF, STBD., GROUP .....	1	—	MR	GF3/16

EQUIPMENT AIRCRAFT  
FIREPROOFING AND SOUNDPROOFING

Ref. No.	Part No.	Description	No. off	Matl. Spec.	Cl. of St.	Plate and Illust'n No.
					M.R.	
		1 2 3 4				
		FIREPROOFING, INBOARD AND OUTBOARD ENGINE BAYS, PORT AND STARBOARD (1 & 2E2931) (Cont'd)				
		FIREPROOFING, RIB 162.5", PORT AND STARBOARD (1 & 2E2937) (1 & 2E3551) (Mod. 2218)				
		Spares for:—				
	76E2937	BRACKET, MOUNTING, GROUP .....	1	—	MR	GF1/17
	83E2937	Cover, cable, starboard .....	1	DTD171B	MR	GF1/18
	50E2937	PANEL, DISHING, PORT, GROUP .....	1	—	MR	GF1/19
	25E2937	PANEL, FIREPROOF, PORT, GROUP .....	1	—	MR	GF1/20
	29E2937	PANEL, FIREPROOF, PORT, GROUP .....	1	—	MR	GF1/23
	30E2937	PANEL, FIREPROOF, STBD., GROUP .....	1	—	MR	GF4/24
	31E2937	PANEL, FIREPROOF, PORT GROUP .....	1	—	MR	GF1/25
	32E2937	PANEL, FIREPROOF, STBD., GROUP .....	1	—	MR	GF4/26
	48E2937	PANEL, FIREPROOF, PORT GROUP .....	1	—	MR	GF1/27
	68E2937	PANEL, FIREPROOF, PORT GROUP .....	1	—	MR	GF1/28
	47E2937	Panel, skin, fireproof, port .....	1	AVR50	MR	
	55E2937	Panel, skin, fireproof, starboard .....	1	AVR50	MR	
	72E2937	Panel, skin, fireproof, port .....	1	AVR50	MR	
	88E2937	Panel, skin, fireproof, port .....	1	AVR50	MR	
	95E2937	Panel, skin, fireproof, starboard .....	1	AVR50	MR	
	115E2937	Panel, skin, fireproof, starboard .....	1	AVR50	MR	
	116E2937	Panel, skin, fireproof, starboard .....	1	AVR50	MR	
		FIREPROOFING, RIB 113.3", INBOARD AND OUTBOARD, PORT AND STARBOARD (1 & 2E2936)				
		Spares for:—				
	45E2936	Angle, sealing, port outboard and starboard inboard	1	AVR50	MR	
17680	BRITISH REFRASIL LTD. BRF/59/325	Blanket, refrasil .....	1	—	C	GF1/29
	47E2935	BRACKET, MOUNTING, GROUP .....	1	—	MR	GF1/30
	12E2936	PANEL, FIREPROOF, PORT INBOARD, ..... GROUP	1	—	MR	GF2/31

EQUIPMENT AIRCRAFT  
FIREPROOFING AND SOUNDPROOFING

Ref. No.	Part No.	Description	No. off	Matl. Spec.	Cl. of St.	Plate and Illust'n No.
					M.R.	
		1 2 3 4				
		FIREPROOFING, RIB 113.3", INBOARD AND OUTBOARD, PORT AND STARBOARD (1 & 2E2936) (Cont'd)				
	13E2936	PANEL, FIREPROOF, PORT, OUTBOARD, STBD. INBOARD, GROUP	1	—	MR	GF1/32
	14E2936	PANEL, FIREPROOF, PORT INBOARD, STBD. OUTBOARD, GROUP	1	—	MR	GF2/33
	15E2936	PANEL, FIREPROOF, PORT OUTBOARD, STBD. INBOARD, GROUP	1	—	MR	GF1/34
	16E2936	PANEL, FIREPROOF, PORT INBOARD, STBD. OUTBOARD, GROUP	1	—	MR	GF2/35
	46E2936	PANEL, FIREPROOF, PORT OUTBOARD, STBD. INBOARD, GROUP	1	—	MR	GF1/36
	55E2936	PANEL, FIREPROOF, PORT INBOARD, STBD. OUTBOARD, GROUP	1	—	MR	GF2/37
	60E2936	PANEL, FIREPROOF, PORT INBOARD, STBD. OUTBOARD, GROUP	1	—	MR	GF2/38
	66E2936	PANEL, FIREPROOF, PORT OUTBOARD, STBD. INBOARD, GROUP	1	—	MR	GF1/39
	70E2936	PANEL, FIREPROOF, PORT OUTBOARD, STBD. INBOARD, GROUP	1	—	MR	GF1/40
	75E2936	PANEL, FIREPROOF, STARBOARD .... OUTBOARD, GROUP	1	—	MR	GF4/41
	77E2936	PANEL, FIREPROOF, PORT OUTBOARD, STBD. INBOARD, GROUP	1	—	MR	GF1/42
	78E2936	PANEL, FIREPROOF, STARBOARD .... INBOARD, GROUP	1	—	MR	GF3/43
	79E2936	PANEL, FIREPROOF, PORT INBOARD, GROUP	1	—	MR	GF2/44
	80E2936	PANEL, FIREPROOF, STARBOARD .... OUTBOARD, GROUP	1	—	MR	GF4/45
	81E2936	PANEL, FIREPROOF, PORT OUTBOARD, GROUP	1	—	MR	GF1/46
	82E2936	PANEL, FIREPROOF, STARBOARD .... INBOARD, GROUP	1	—	MR	GF3/47
	83E2936	PANEL, FIREPROOF, STARBOARD .... OUTBOARD, GROUP	1	—	MR	GF2/48

EQUIPMENT AIRCRAFT  
FIREPROOFING AND SOUNDPROOFING

Ref. No.	Part No.	Description	No. off	Mtl. Spec.	Cl. of	Plate and Illust'n No.
					St.	
		1 2 3 4			M.R.	
		FIREPROOFING, RIB 113.3", INBOARD AND OUTBOARD, PORT AND STARBOARD (1 & 2E2936) (Cont'd)				
	84E2936	PANEL, FIREPROOF, STARBOARD . . . . OUTBOARD, GROUP	1	—	MR	GF4/49
	97E2936	PANEL, FIREPROOF, PORT INBOARD, . STBD. OUTBOARD, GROUP (Mod. 1320)	1	—	MR	GF1/50
	61E2936	Panel, skin, fireproof, port inboard, . . . . . starboard, outboard	1	AVR50	MR	
	93E2936	Panel, skin, fireproof, port inboard, . . . . . starboard outboard (Mod. 1320)	1	AVR50	MR	
	96E2936	Panel, skin, fireproof, port inboard, . . . . . starboard outboard (Mod. 1320)	1	AVR50	MR	
	105E2938	Strip, insulation, 1/16" x 0.57" x 22" . . . . .	2	DTD378A		
	111E2938	Strip, insulation, 1/16" x 0.57" x 4' 0" . . . . .	1	DTD378A		
	113E2938	Strip, insulation, 1/16" x 0.57" x 2' 9" . . . . .	1	DTD378A		
	115E2938	Strip, insulation, 1/16" x 0.57" x 14" . . . . .	1	DTD378A		
		FIREPROOFING, ROOF SHROUD, PORT OUTER BAY (1E2938)				
		Spares for:—				
21978	5E2938	PANEL, L.H. FORWARD, GROUP . . . . .	1	—	MR/C	GF1/51
		Spares for:—				
28D/1214418	AS2923/ 1/2C	Bolt . . . . .	14	—	C	GF1/52
	5a.E2938	Panel, side . . . . .	1	AVR50		
	5c.E2938	Panel, top . . . . .	1	AVR50		
	77E2938	SEAL, SHROUD, GROUP . . . . .	1	—		GF1/53
21979	11E2938	PANEL, L.H. REAR, GROUP . . . . .	1	—	MR/C	GF1/54
		Spares for:—				
28D/1007981	AS1248/ 1/2C	Bolt . . . . .	6	—	C	GF1/55
28D/1214418	AS2923/ 1/2C	Bolt . . . . .	22	—	C	GF1/56
	56E2938	Bracket . . . . .	1	DTD171B		
	6E3551	CANOPY, HOISTING BOX, GROUP . . . (Mod. 2218) (1F3551) (Make from 67E2938)	1	—		GF1/57
		Spares for:—				
28D/1214418	AS2923/ 1/2C	Bolt . . . . .	4	—	C	
	143E2938	SLEEVE, GROUP . . . . .	1	—		GF1/58
	11a.E2938	Panel, skin, 28G x 1' 10" x 4' 0" . . . . .	1	AVR50		
	11c.E2938	Panel, skin, 28G x 13" x 4' 0" . . . . .	1	AVR50		
	11h.E2938	Panel, skin, 28G x 1' 10" x 2' 8" . . . . .	1	AVR50		
	11j.E2938	Panel, skin, 28G x 13" x 2' 8" . . . . .	1	AVR50		

VULCAN Mk. 2

EQUIPMENT AIRCRAFT  
FIREPROOFING AND SOUNDPROOFING

Page GF. 5

Ref. No.	Part No.	Description	No. off	Matl. Spec.	Cl. of St.	Plate and Illust'n No.
					M.R.	
		1 2 3 4				
		PANEL, L.H. REAR (11E2938) (Cont'd)				
	45E2938	PANEL, ACCESS, GROUP .....	1	—		GF1/59
28D/9140651	A26/5B	Spares for:— Bolt, for fairlead attachment .....	4	—	C	
	72E2938	FAIRLEAD, GROUP .....	1	—		GF1/60
	69E2938	Panel .....	1	DTD171B		GF1/61
	117E2938	POCKET, GROUP (Mod. 1320) .....	1	—	MR	GF1/62
	5E2933	SEAL, FIREPROOF ON TRUNNION, .....	1	—		GF1/63
21977	10E2933	GROUP Spares for:— COVER, GROUP .....	1	—	C	
	77E2938	SEAL, SHROUD, GROUP .....	1	—		GF1/64
	7E2938	PANEL, R.H. FORWARD, GROUP .....	1	—		GF1/65
28D/1214418	AS2923/1/2C	Spares for:— Bolt .....	8	—	C	
	7aE2938	Panel, skin, 28G x 1' 10" x 3' 9" .....	1	AVR50		
	7cE2938	Panel, skin, 28G x 13" x 3' 9" .....	1	AVR50		
	13E2938	PANEL, R.H. REAR, GROUP .....	1	—	MR	GF1/66
28D/1007981	AS1248/1/2C	Spares for:— Bolt .....	6	—	C	
	62E2849	CANOPY, HOISTING POINT, GROUP .....	1	—		GF1/67
28D/1214418	AS2923/1/2C	Spares for:— Bolt .....	4	—	C	
	143E2797	SLEEVE, GROUP .....	1	—		
	74E2938	COVER, PIPE, GROUP .....	1	—	MR	GF1/68
	121E2938	PANEL, ACCESS, GROUP (Mod. 1320) .....	1	—		GF1/69
28D/9140651	A26/5B	Spares for:— Bolt, for fairlead attachment .....	4	—	C	
	120E2938	FAIRLEAD, GROUP .....	1	—		
	69E2938	Panel .....	1	S521		
	13aE2938	Panel, skin, 28G x 1' 10" x 4' 0" .....	1	AVR50		
	13cE2938	Panel, skin, 28G x 13" x 4' 0" .....	1	AVR50		
	13hE2938	Panel, skin, 28G x 1' 10" x 2' 8" .....	1	AVR50		
	13jE2938	Panel, skin, 28G x 13" x 2' 8" .....	1	AVR50		
	80E2938	POCKET, GROUP .....	1	—		GF1/70

EQUIPMENT AIRCRAFT  
FIREPROOFING AND SOUNDPROOFING

Ref. No.	Part No.	Description	No. off	Matl. Spec.	Cl. of St.	Plate and Illust'n No.
					M.R.	
		1 2 3 4				
		FIREPROOFING, ROOF SHROUD, PORT OUTER BAY (1E2938) (Cont'd)				
	3E2933	SEAL, FIREPROOF ON TRUNNION, ..... GROUP	1	—		GF1/71
21976	9E2933	Spares for:— COVER, GROUP .....	1	—	C	GF1/72
5CZ/4337577	—	Thermo-couple .....	2	—	B	GF1/73
		FIREPROOFING, ROOF SHROUD, PORT, INNER BAY (2E2938)				
		Spares for:—				
28D/1007981	AS1248/1/2C	Bolt .....	6	—	C	
21980	8E2938	PANEL, L.H. FORWARD, GROUP .....	1	—	MR/C	GF2/74
		Spares for:—				
28D/1214418	AS2923/1/2C	Bolt .....	14	—	C	
	8aE2938	Panel, skin, 28G x 1' 10" x 3' 9" .....	1	AVR 50		
	5cE2938	Panel, skin, 28G x 13" x 3' 9" .....	1	AVR 50		
	9E2938	PANEL, R.H. FORWARD, GROUP .....	1	—	MR	GF2/75
		Spares for:—				
28D/1214418	AS2923/1/2C	Bolt .....	8	—	C	
	9aE2938	Panel, skin, 28G x 1' 10" x 3' 9" .....	1	AVR 50		
	7cE2938	Panel, skin, 28G x 13" x 3' 9" .....	1	AVR 50		
	14E2938	PANEL, L.H. REAR, GROUP .....	1	—	MR	GF2/76
		Spares for:—				
28D/1007981	AS1248/1/2C	Bolt .....	6	—	C	
28D/1214418	AS2923/1/2C	Bolt .....	4	—	C	
	61E2849	CANOPY, HOISTING POINT, GROUP .....	1	—		GF2/77
		Spares for:—				
28D/1214418	AS2923/1/2C	Bolt .....	4	—	C	
	143E2797	SLEEVE, GROUP .....	1	—		GF2/78
	11cE2938	Panel, skin, 28G x 13" x 4' 0" .....	1	AVR 50		
	11jE2938	Panel, skin, 28G x 13" x 2' 8" .....	1	AVR 50		
	14aE2938	Panel, skin, 28G x 1' 10" x 4' 0" .....	1	AVR 50		
	14hE2938	Panel, skin, 28G x 1' 10" x 2' x 2' 8" .....	1	AVR 50		
	121E2938	PANEL, ACCESS, GROUP (Mod. 1320) .....	1	—		GF2/79
		Spares for:—				
28D/9140651	A26/5B	Bolt, for fairlead attachment .....	4	—	C	
	120E2938	FAIRLEAD, GROUP .....	1	—		GF2/80
	69E2938	Panel .....	1	S521		
	118E2938	POCKET, GROUP (Mod. 1320) .....	1	—	MR	
1433940	76E2938	SEAL, SHROUD, GROUP .....	1	—	C	GF2/81

VULCAN MR. 2

EQUIPMENT AIRCRAFT  
FIREPROOFING AND SOUNDPROOFING

Page GF. 7

Ref. No.	Part No.	Description	No. off	Matl. Spec.	Cl. of St.	Plate and Illust'n No.	
					M.R.		
		1	2	3	4		
FIREPROOFING, ROOF SHROUD, PORT INNER BAY (2E2938) (Cont'd.)							
21983	15E2938	PANEL, R.H. REAR, GROUP .....	1	—	MR/C	GF2/82	
		Spares for:—					
28D/1007981	AS1248/1/2C	Bolt .....	6	—	C		
	8E3551	CANOPY, HOISTING POINT, GROUP .....	1	—		GF2/83	
		(Mod. 2218) (1E3550) (Make from 65E2938)					
		Spares for:—					
28D/1214418	AS2923/1/2C	Bolt .....	4	—	C		
	143E2797	SLEEVE, GROUP .....	1	—			
	73E2938	COVER, PIPE, GROUP .....	1	—	MR	GF2/84	
	13cE2938	Panel, skin, 28G x 13" x 4' 0" .....	1	AVR50			
	13jE2938	Panel, skin, 28G x 13" x 2' 8" .....	1	AVR50			
	15aE2938	Panel, skin, 28G x 1' 10" x 4' 0" .....	1	AVR50			
	15hE2938	Panel, skin, 28G x 1' 10" x 2' 8" .....	1	AVR50			
	45E2938	PANEL, ACCESS, GROUP .....	1	—		GF2/85	
		Spares for:—					
28D/9140651	A26/5B	Bolt, for fairlead attachment .....	4	—	C		
	78E2938	FAIRLEAD, GROUP .....	1	—			
	69E2938	Panel .....	1	S521			
	80E2938	POCKET, GROUP .....	1	—			
	4E2933	SEAL, FIREPROOF ON TRUNNION, .....	1	—		GF2/86	
		GROUP					
		Spares for:—					
21977	10E2933	COVER, GROUP .....	1	—	C		
5CZ/4337577	—	Thermo-couple .....	2	—	B	GF2/73	
FIREPROOFING, ROOF SHROUD STARBOARD INNER BAY (3E2938)							
		Spares for:—					
	56E2938	Bracket .....	1	S521			
	7E2938	PANEL, R.H. FORWARD, GROUP .....	1	—		GF3/87	
		Spares for:—					
28D/1214418	AS2923/1/2C	Bolt .....	8	—	C		
	7aE2938	Panel, skin, 28G x 1' 10" x 3' 9" .....	1	AVR50			
	7cE2938	Panel, skin, 28G x 13" x 3' 9" .....	1	AVR50			
	10E2938	PANEL, L.H. FORWARD, GROUP .....	1	—	MR	GF3/88	
		Spares for:—					
28D/1214418	AS2923/1/2C	Bolt .....	18	—	C		
	10aE2938	Panel, skin, 28G x 1' 10" x 3' 9" .....	1	AVR50			
	5cE2938	Panel, skin, 28G x 13" x 3' 9" .....	1	AVR50			

EQUIPMENT AIRCRAFT  
FIREPROOFING AND SOUNDPROOFING

Ref. No.	Part No.	Description	No. off	Matl. Spec.	Cl. of St.	Plate and Illust'n No.	
					M.R.		
		1	2	3	4		
		PANEL, L.H. FORWARD (10E2938) (Cont'd.)					
	75E2938	SEAL, SHROUD, GROUP .....	1	—		GF3/89	
	13E2938	PANEL, R.H. REAR, GROUP .....	1	—	MR	GF3/90	
28D/1007981	AS1248/1/2C	Spares for:— Bolt .....	6	—	C		
	62E2938	CANOPY, HOISTING POINT, GROUP .....	1	—		GF3/91	
28D/1214418	AS2923/1/2C	Spares for:— Bolt .....	4	—	C		
	143E2797	SLEEVE, GROUP .....	1	—			
	74E2938	COVER, PIPE, GROUP .....	1	—	MR	GF3/92	
	13aE2938	Panel, skin, 28G x 1' 10" x 4' 0" .....	1	AVR50			
	13cE2938	Panel, skin, 28G x 13" x 4' 0" .....	1	AVR50			
	13hE2938	Panel, skin, 28G x 1' 10" x 2' 8" .....	1	AVR50			
	13jE2938	Panel, skin, 28G x 13" x 2' 8" .....	1	AVR50			
	121E2938	PANEL, ACCESS, GROUP (Mod. 1320) Spares for:—	1	—		GF3/93	
28D/9140651	A26/5B	Bolt, for fairlead attachment .....	4	—	C		
	120E2938	FAIRLEAD, GROUP .....	1	—			
	69E2938	Panel .....	1	S521			
	80E2938	PACKET, GROUP .....	1	—			
13524	16E2938	PANEL, L.H. REAR, GROUP .....	1	—	MR/C	GF3/94	
		Spares for:—					
28D/1007981	AS1248/1/2C	Bolt .....	6	—	C		
28D/1214418	AS2923/1/2C	Bolt .....	22	—	C		
	56E2938	Bracket .....	1	S521			
	9E3550	CANOPY, HOISTING POINT, GROUP .....	1	—		GF3/95	
		(Mod. 2218) (2E3550) (Make from 66E2938) Spares for:—					
	143E2797	SLEEVE, GROUP .....	1	—			
	11cE2938	Panel, skin, 28G x 13" x 4' 0" .....	1	AVR50			
	11jE2938	Panel, skin, 28G x 13" x 2' 8" .....	1	AVR50			
	16aE2938	Panel, skin, 28G x 1' 10" x 4' 0" .....	1	AVR50			
	16hE2938	Panel, skin, 28G x 1' 10" x 2' 8" .....	1	AVR50			
	45E2938	PANEL, ACCESS, GROUP .....	1	—		GF3/96	
		Spares for:—					
28D/9140651	A26/5B	Bolt, for fairlead attachment .....	4	—	C		
	78E2938	FAIRLEAD, GROUP .....	1	—			
	69E2938	Panel .....	1	S521			

VULCAN Mk. 2

EQUIPMENT AIRCRAFT  
FIREPROOFING AND SOUNDPROOFING

Page GF. 9

Ref. No.	Part No.	Description	No. off	Matl. Spec.	Cl. of St.	Plate and Illust'n No.
					M.R.	
		1 2 3 4				
		PANEL, L.H. REAR (16E2938) (Cont'd)				
	119E2938	POCKET, GROUP (Mod. 1320) .....	1	—	MR	
	75E2938	SEAL, SHROUD, GROUP .....	1	—		GF3/97
	2E2933	SEAL, FIREPROOFING ON TRUNNION, .....	1	—		GF3/98
13540	8E2933	GROUP Spares for:— COVER, GROUP .....	1	—	C	
	3E2933	SEAL, FIREPROOF ON TRUNNION, .....	1	—		GF3/99
21976	9E2933	GROUP Spares for:— COVER, GROUP .....	1	—	C	
5CZ/4337577	—	Thermo-couple .....	2	—	B	GF3/73
		FIREPROOFING, ROOF SHROUD, STARBOARD OUTER BAY (4E2938) Spares for:—				
28D/1007981	AS1248/1/2C	Bolt .....	6	—	C	
21980	8E2938	PANEL, L.H. FORWARD, GROUP .....	1	—	C	GF4/100
		Spares for:—				
28D/1214418	AS2923 1/2C	Bolt .....	14	—	C	
	8aE2938	Panel, skin, 28G x 1' 10" x 3' 9" .....	1	AVR50		
	5cE2938	Panel, skin, 28G x 13" x 3' 9" .....	1	AVR50		
1433940	76E2938	SEAL, SHROUD, GROUP .....	1	—	C	
	14E2938	PANEL, L.H. REAR, GROUP .....	1	—	MR	GF4/101
		Spares for:—				
28D/1007981	AS1248 1/2C	Bolt .....	6	—	C	
28D/1214418	AS2923 1/2C	Bolt .....	4	—	C	
	61E2849	CANOPY, HOISTING POINT, GROUP .....	1	—		GF4/102
		Spares for:—				
28D/1214418	AS2923 1/2C	Bolt .....	4	—	C	
	143E2797	SLEEVE, GROUP .....	1	—		
	121E2938	PANEL, ACCESS, GROUP .....	1	—		GF4/103
		Spares for:—				
28D/9140651	A26/5B	Bolt, for fairlead attachment .....	4	—	C	
	120E2938	FAIRLEAD, GROUP .....	1	—		GF4/104
	69E2938	Panel .....	1	S521		
	11cE2938	Panel, skin, 28G x 13" x 4' 0" .....	1	AVR50		
	11jE2938	Panel, skin, 28G x 13" x 2' 8" .....	1	AVR50		

EQUIPMENT AIRCRAFT  
FIREPROOFING AND SOUNDPROOFING

Ref. No.	Part No.	Description	No. off	Matl. Spec.	Cl. of St.	Plate and Illust'n No.
					M.R.	
		1 2 3 4				
		PANEL, L.H. REAR (14E2938) (Cont'd.)				
	14aE2938	Panel, skin, 28G x 1' 10" x 4' 0" .....	1	AVR50		
	14bE2938	Panel, skin, 28G x 1' 10" x 2' 8" .....	1	AVR50		
	118E2938	POCKET, GROUP (Mod. 1320) .....	1	—	MR	
1433940	76E2938	SEAL, SHROUD, GROUP .....	1	—	C	
	6E2938	PANEL, R.H. FORWARD, GROUP .....	1	—	MR	GF4/105
		Spares for:—				
	6aE2928	Panel, skin, 28G x 1' 10" x 3' 9" .....	1	AVR50		
	7cE2938	Panel, skin, 28G x 13" x 3' 9" .....	1	AVR50		
	12E2938	PANEL, R.H. REAR, GROUP .....	1	—	MR	GF4/106
		Spares for:—				
28D1007981	AS1248 1/2C	Bolt .....	6	—	C	
	7E3551	CANOPY, HOISTING BOX, GROUP .....	1	—		GF4/107
		(Mod. 2188) (2E3551) (Make from 68E2938)				
		Spares for:—				
28D/1214418	AS2923 1/2C	Bolt .....	4	—	C	
	143E2797	SLEEVE, GROUP .....	1	—		
	72E2938	COVER, PIPE, GROUP .....	1	—		
	—	DISHING, FIREPROOFING (1E2932) .....	1	—		
		Spares for:—				
	2E2932	Bracket .....	1	—		
	45E2938	PANEL, ACCESS, GROUP .....	1	—		GF4/108
		Spares for:—				
28D/9140651	A26/5B	Bolt .....	4	—	C	
	78E2938	FAIRLEAD, GROUP .....	1	—		
	69E2938	Panel .....	1	S521		
	12aE2938	Panel, skin, 28G x 1' 10" x 4' 0" .....	1	AVR50		
	12hE2938	Panel, skin, 28G x 1' 10" x 2' 8" .....	1	AVR50		
	13cE2938	Panel, skin, 28G x 13" x 4' 0" .....	1	AVR50		
	13jE2938	Panel, skin, 28G x 13" x 2' 8" .....	1	AVR50		
	80E2938	POCKET, GROUP .....	1	—		
	4E2933	SEAL, FIREPROOFING AT TRUNNION, .....	1	—		GF4/109
		GROUP				
		Spares for:—				
21977	10E2933	COVER, GROUP .....	1	—	C	

VULCAN Mk. 2

EQUIPMENT AIRCRAFT  
FIREPROOFING AND SOUNDPROOFING

Ref. No.	Part No.	Description	No. off	Matl. Spec.	Cl. of St.	Plate and Illust'n No.
					M.R.	
		1 2 3 4				
5CZ/4337577		FIREPROOFING, ROOF SHROUD STARBOARD OUTER BAY (4E2938) (Cont'd)				
	6E2933	SEAL, FIREPROOFING AT TRUNNION, GROUP	1	—		GF4/110
	—	Thermo-couple .....	2	—	B	GF4/73
		FIREPROOFING, FORWARD INTER-MEDIATE B/HEAD, INBOARD, PORT AND STARBOARD (2 & 3E2939) Spares for:—				
	30E2939	ARCH, SEALING, PORT INBOARD, GROUP	1	—	MR	GF2/111
	29E2939	ARCH, SEALING, STARBOARD, INBOARD, GROUP	1	—	MR	GF3/112
	51E2939	Spares for:— BRACKET, CONDUIT, GROUP .....	1	—		
		FIREPROOFING, FORWARD INTER-MEDIATE B/HEAD, OUTBOARD, PORT AND STARBOARD (4 & 5E2939) Spares for:—				
	31E2939	ARCH, SEALING, PORT OUTBOARD, GROUP	1	—	MR	GF1/113
	32E2939	ARCH, SEALING, STARBOARD OUTBOARD, GROUP	1	—	MR	GF4/114
	51E2939	Spares for:— BRACKET, CONDUIT, GROUP .....	1	—		
	33E2939	MEMBER, SEALING, PORT, GROUP	1	—	MR	GF1/115
	15E2939	MEMBER, SEALING, STARBOARD, GROUP	1	—	MR	
		HEAT INSULATION, CREW'S NACELLE PORT AND STARBOARD (1Z9721) (Mod. 517) Spares for:—				
	30Z9721	Adhesive (I.C.I.Be. 311-9316) .....	QR	—		
	29Z9721	Binding, septum strip, 5" wide .....	QR	—		
	17Z9721	Blanket, between formers 344-353, 2' 7" x 22" port	1	—		
	18Z9721	Blanket, between formers 344-358, 10" x 22" port	1	—		
19Z9721	Blanket, between formers 344-358, 2' 7" x 22" port	1	—			
20Z9721	Blanket, between formers 288-302, 3' 2" port	1	—			
21Z9721	Blanket, between formers 260-274, 5' 0" x 22" port	1	—			
23Z9721	Blanket, between formers 246-260, 10" x 18" port	1	—			
24Z9721	Blanket, between formers 232-246, 3' 6" x 22" port	1	—			
42Z9721	Blanket, between formers 316-330, and formers 344-358, 3' 6" x 22"	2	—			

EQUIPMENT—AIRCRAFT  
FIREPROOFING AND SOUNDPROOFING

Ref. No.	Part No.	Description	No. off	Matl. Spec.	Cl. of St.	Plate and Illust'n No.
					M.R.	
		1 2 3 4				
		HEAT INSULATION, CREW'S NACELLE PORT AND STARBOARD (129721) (Cont'd)				
	43Z9721	Blanket, between formers 274-288, 288-302 . . and 302-316, 44" x 22"	1P 2S	— —		
	44Z9721	Blanket, between formers 316-330 and . . . . . 330-344, 5' 10" x 22"	1P 2S	— —		
	4619721	Blanket, between formers 288-302, 21" x . . . . 22"	1	—		
	47Z9721	Blanket, between formers 246-260, 5. 4" x . . . 22" starboard	1	—		
	48Z9721	Blanket, between formers 232-246, 6' 10" x . . 22" starboard	1	—		
	49Z9721	Blanket, between formers 288-302, 4" x . . . . . 22"	3P 1S	— —		
	50Z9721	Blanket, between formers 288-302, port, . . . . 344-358 starboard	1	—		
	51Z9721	Blanket, between formers 302-316, and . . . . . 218-232, 4' x 22"	1P 2S	— —		
	52Z9721	Blanket, between formers 260-288, and . . . . . 232-246, 4' 6" x 22"	1	—		
	53Z9721	Blanket, between formers 246-260, at . . . . . cabin window 9" x 9"	2	—		
	54Z9721	Blanket, between formers 246-260, port, . . . . 23" x 14"	1	—		
	55Z9721	Blanket, between formers 232-246, and . . . . . 246-260, port, 5' 8" x 22"	1	—		
	58Z9721	Blanket, trap at louvres, 13" x 20" . . . . .	12	—		
	59Z9721	Blanket, between formers 330-344, 3' 6" . . . . x 22"	1	—		
	60Z9721	Blanket, between formers 218-232 . . . . . starboard, 15" x 20"	1	—		
	80Z9721	Blanket, between formers 316-330 . . . . . starboard, 3' 2" x 22"	1	—		
	91Z9721	Blanket, between formers 260-274 starboard, . 17" x 22" (Mod. 199)	1	—		
	92Z9721	Blanket, between formers 218-232 starboard, . 20" x 22" (Mod. 199)	1	—		
	96Z9721	Blanket, between formers 260-274 starboard, . 14" x 5" (Mod. 199)	1	—		
	97Z9721	Blanket, between formers 260-274 starboard, . 7" x 1" (Mod. 199)	1	—		
	99Z9721	Blanket, between formers 260-274 starboard, . 7" x 1" (Mod. 199)	1	—		
	100Z9721	Blanket, between formers 260-274 starboard, . 14" x 6" (Mod. 199)	1	—		
	103Z9721	Blanket, between formers 274-288, 3' 8" . . . . x 22"	1	—		
	108Z9721	Blanket, between formers 260-274 starboard, . 14" x 3"	2	—		
	113Z9721	Blanket, between formers 246-260 starboard, . 18" x 22" (Mods. 748 & 1291)	1	—		
	114Z9721	Blanket, between formers 246-260 starboard, . 18" x 22" (Mods. 748 & 1291)	1	—		

VULCAN Mk. 2

**EQUIPMENT—AIRCRAFT**  
**FIREPROOFING AND SOUNDPROOFING**

Ref. No.	Part No.	Description				No. off	Matl. Spec.	Cl. of St.	Plate and Illust'n No.
		1	2	3	4			M.R.	
		<b>HEAT INSULATION, CREW'S NACELLE PORT AND STARBOARD (1Z9721)</b> (Cont'd)							
	117Z9721	Blanket, between formers 218-232, 7' 4" x 22" (Mods. 748 & 1291)				1	—		
	120Z9721	Blanket, between formers 260-274 starboard, 6' 2" x 22" (Mods. 748 & 1291)				1	—		
	128Z9721	Blanket, between formers 246-260 starboard, 24" x 16" (Mods. 748 & 1291)				1	—		
	131Z9721	Blanket, between formers 218-232 port, 12" x 22" (Mods. 748 & 1291)				1	—		
	2SK14505	Clip, spring (Ratcliffe)...				1420	—		
	67Z9721	Lapping, former 288, 12" x 24"				1	Vynide		
	68Z9721	Lapping, former 302, 12" x 24"				1	Vynide		
	104Z9721	Lapping, former 274, 12" x 24" (Mod. 687)				1	Vynide		
	2Z9721	Pad, between formers 218-232, top, 18" x 18"				1	—		
	3Z9721	Pad, between formers 218-232, top, 18" x 14"				1	—		
	4Z9721	Pad, between formers 260-274, top, 22" x 14" (Pre-Mod. 446)				1P	—		
	5Z9721	Pad, between formers 260-274, top, 22" x 14" (Pre-Mod. 446)				2S	—		
	6Z9721	Pad, between formers 260-274, top, 22" x 14" (Pre-Mod. 446)				2P	—		
	8Z9721	Pad, between formers 232-246, top, 21" x 14"				1S	—		
	8Z9721	Pad, between formers 260-274, top, 23" x 13" (Pre-Mod. 446)				1	—		
	9Z9721	Pad, between formers 260-274, top, 23" x 13" (Pre-Mod. 446)				1	—		
	12Z9721	Pad, between formers 246-260, top, 14" x 4"				1	—		
	12Z9721	Pad, between formers 246-260, top, 17" x 13"				1	—		
	14Z9721	Pad, between formers 232-246, top, 21" x 14"				1	—		
	15Z9721	Pad, between formers 232-246, top, 17" x 14"				1	—		
	16Z9721	Pad, between formers 232-246, top, 14" x 21"				1	—		
	105Z9721	Pad, between formers 260-274, top, 23" x 13"				1	—		
	109Z9721	Pad, between formers 260-274, top, 22" x 14" (Mod. 446)				2P	—		
	110Z9721	Pad, between formers 260-274, top, 22" x 14" (Mod. 446)				2P	—		
	111Z9721	Pad, between formers 260-274, top, 23" x 13" (Mod. 446)				1S	—		
	111Z9721	Pad, between formers 260-274, top, 23" x 13" (Mod. 446)				1	—		
	112Z9721	Pad, between formers 232-246, top, 22" x 14" (Mod. 446)				1	—		
	121Z9721	Pad, between formers 246-260, top, 23" x 4" (Mods. 748 & 1291)				1	—		
	122Z9721	Pad, between formers 246-260, top, 16" x 6" (Mods. 748 & 1291)				1	—		
	123Z9721	Pad, between formers 246-260, top, 6" x 6" (Mods. 748 & 1291)				1	—		

VULCAN Mk. 2

Page GF. 14

**EQUIPMENT—AIRCRAFT**  
**FIREPROOFING AND SOUNDPROOFING**

Ref. No.	Part No.	Description				No. off	Matl. Spec.	Cl. of St.	Plate and Illust'n No.
		1	2	3	4			M.R.	
		<b>HEAT INSULATION, CREW'S NACELLE PORT AND STARBOARD (1Z9721)</b> (Cont'd)							
	124Z9721	Pad, between formers 246-260, top, 23" x 6" (Mods. 748 & 1291)				1	—		
	125Z9721	Pad, between formers 246-260, top 23" x 6" (Mods. 748 & 1291)				1	—		
	126Z9721	Pad, between formers 246-260, top, 21" x 15" (Mods. 748 & 1291)				1	—		
	127Z9721	Pad, between formers 246-260 top, 21" x 14" (Mods. 748 & 1291)				1	—		
	15K15380	Tab, retaining (Ratcliffe) ... ..				1420	—		
	25Z9721	<b>QUILT, BETWEEN FORMERS 232-246, 14" x 16", PORT, GROUP</b>				1	—		
	26Z9721	<b>QUILT, BETWEEN FORMERS 218-232, 17" x 2' 0", PORT, GROUP</b>				1	—		
	38Z9721	<b>QUILT, BETWEEN FORMERS, 302-316, 15" x 7", PORT, GROUP</b>				1	—		
	39Z9721	<b>QUILT, BETWEEN FORMERS 302-316, 15" x 7", STARBOARD, GROUP</b>				1	—		
	61Z9721	<b>QUILT, BETWEEN FORMERS 288-302, 21" x 14", GROUP</b>				1	—		
	62Z9721	<b>QUILT, BETWEEN FORMERS 260-274, 21" x 14", PORT, GROUP</b>				1	—		
	64Z9721	<b>QUILT, BETWEEN FORMERS 232-246, 9" x 2' 3", STARBOARD, GROUP</b>				1	—		
	70Z9721	<b>QUILT, BETWEEN FORMERS 204-218, 18" x 15", GROUP</b>				1	—		
	71Z9721	<b>QUILT, BETWEEN FORMERS 204-218, 17" x 6' 6", GROUP</b>				1	—		
	72Z9721	<b>QUILT, BETWEEN FORMERS 358-372, 17" x 3' 7", PORT, GROUP</b>				1	—		
	73Z9721	<b>QUILT, BETWEEN FORMERS 358-372, 18" x 5' 7", PORT, GROUP</b>				1	—		
	79Z9721	<b>QUILT, BETWEEN FORMERS 316-330, 17" x 2' 8", PORT, GROUP</b>				1	—		
	83Z9721	<b>QUILT, BETWEEN FORMERS 358-372, 18" x 2' 8", STARBOARD, GROUP</b>				1	—		

VULCAN Mk. 2

EQUIPMENT-AIRCRAFT  
FIREPROOFING AND SOUNDPROOFING

Page GF. 15

Ref. No.	Part No.	Description	No. off	Matl. Spec.	Cl. of St.	Plate and Illust'n No.
					M.R.	
		1 2 3 4				
		HEAT INSULATION, CREW'S NACELLE PORT AND STARBOARD (1Z9721) (Cont'd)				
	84Z9721	QUILT, BETWEEN FORMERS 358-372 . . . . . 14" x 8", STARBOARD, GROUP	1	-		
	85Z9721	QUILT, BETWEEN FORMERS 358-372, . . . . . 17" x 2' 10", STARBOARD, GROUP	1	-		
	86Z9721	QUILT, BETWEEN FORMERS 358-372, . . . . . 17" x 3' 7", STARBOARD, GROUP	1	-		
	94Z9721	QUILT, BETWEEN FORMERS 260-274, . . . . . GROUP (Mod. 199)	1	-		
	95Z9721	QUILT, BETWEEN FORMERS 260-274, . . . . . STARBOARD, GROUP (Mod. 199)	1	-		
	101Z9721	QUILT, BETWEEN FORMERS 274-288, . . . . . 14" x 23", PORT, GROUP (Mod. 687)	1	-		
	102Z9721	QUILT, BETWEEN FORMERS 274-288, . . . . . 14" x 23", STBD., GROUP (Mod. 687)	1	-		
	106Z9721	QUILT, BETWEEN FORMERS 246-260, . . . . . 4' 0" x 4" stbd., GROUP (Mod. 199)	1	-		
	115Z9721	QUILT, BETWEEN FORMERS 246-260, . . . . . 14" x 17", PORT, GROUP (Mods. 748 & 1291)	1	-		
	116Z9721	QUILT, BETWEEN FORMERS 246-260, . . . . . 17" x 14", PORT, GROUP (Mods. 748 & 1291)	1	-		
	118Z9721	QUILT, BETWEEN FORMERS 218-232, . . . . . 4" x 4' 0", STARBOARD, GROUP (Mods. 748 & 1291)	1	-		
	119Z9721	QUILT, BETWEEN FORMERS 232-246, . . . . . 15" x 22", STARBOARD, GROUP (Mods. 748 & 1291)	1	-		
	129Z9721	QUILT, BETWEEN FORMERS 260-274, . . . . . 44" x 22", STARBOARD, GROUP (Mods. 748 & 1291)	1	-		
	130Z9721	QUILT, BETWEEN FORMERS 218-232, . . . . . 17" x 2' 10", PORT, GROUP (Mods. 748 & 1291)	1	-		

EQUIPMENT-AIRCRAFT  
FIREPROOFING AND SOUNDPROOFING

Ref. No.	Part No.	Description	No. off	Matl. Spec.	Cl. of St.	Plate and Illust'n No.
					M.R.	
		1 2 3 4				
		HEAT INSULATION, CREW'S NACELLE PORT AND STARBOARD (1Z9721) (Cont'd)				
	132Z9721	QUILT, BETWEEN FORMERS 246-260, . . . . 14" x 2' 3", STARBOARD, GROUP	1	—		
	133Z9721	QUILT, BETWEEN FORMERS 344-358, . . . . 18" x 2' 4", STARBOARD, GROUP	1	—		
		HEAT INSULATION, BOMB AIMER'S BLISTER AND SURROUNDS (Z9983) (Mod. 689)				
		Spares for:—				
	41Z7481	Binding, septum strip, 5" wide . . . . .	QR	—		
	4Z7481	Pad, between formers 367-372, 2' 6" x 14" . .	2	—		
	5Z7481	Pad, between formers 362-367, 2' 8" x 15" . .	2	—		
	6Z6481	Pad, between formers 358-362, 2' 4" x 13" . .	2	—		
	7Z7481	Pad, between formers 344-351 and 351-358, . . 2' 8" x 13"	4	—		
	8Z7481	Pad, between formers 337-344, 2' 8" x 14" . .	2	—		
	9Z7481	Pad, between formers 330-337, 2' 8" x 16" . .	2	—		
	10Z7481	Pad, between formers 323-330, 2' 8" x 17" . .	2	—		
	11Z7481	Pad, between formers 302-309.5, 316 and . . . . 323, 2' 8" x 18"	6	—		
	12Z7481	Pad, between formers 367-372, 2' 4" x 14" . .	2	—		
	13Z7481	Pad, between formers 302-309.5, 2. 10" x 17" (Pre Mod. 2202)	1	—		
	14Z7481	Pad, between formers 316-323, 2' 8" x 12.5" . .	2	—		
	15Z7481	Pad, between formers 309.5-316, 2' 9" x 16" . .	2	—		
	16Z7481	Pad, between formers 302-309.5, 2' 9" x 16.5" . .	2	—		
	17Z7481	Pad, between formers 302-309.5, 2' 8" x 12" . .	2	—		
	18Z7481	Pad, between formers 362-367, 2' 6" x 12" . .	2	—		
	19Z7481	Pad, between formers 358-362, 2' 10" x 10" . .	2	—		
	20Z7481	Pad, between formers 351-358, 3' 2" x 20" . . (Pre-Mod. 2202)	2	—		
	21Z7481	Pad, between formers 344-351, 1' 10" x 12" . . (Pre-Mod. 2202)	2	—		
	22Z7481	Pad, between formers 344-351, 3' 0" x 20" . . (Pre Mod. 2202)	2	—		
	23Z7481	Pad, between formers 337-344, 2' 9" x 12" . . (Pre-Mod. 2202)	2	—		
	24Z7481	Pad, between formers 330-337, 2' 4" x 11" . . (Pre Mod. 2202)	2	—		
	25Z7481	Pad, between formers 232-330, 2' 2" x 11" . . (Pre Mod. 2202)	2	—		
	26Z7481	Pad, between formers 316-323, 1' 2" x 11" . . (Pre Mod. 2202)	2	—		
	27Z7481	Pad, between formers 309.5-316, 2' 4" x 13" . . (Pre-Mod. 2202)	2	—		
	28Z7481	Pad, between formers 302-309.5, 1' 2" x 12" . . (Pre-Mod. 2202)	2	—		
	29Z7481	Pad, between formers 351-358, 2' 3" x 12" . . (Pre-Mod. 2202)	2	—		
	30Z7481	Pad, between formers 344-351, 2' 6" x 12" . . (Pre-Mod. 2202)	2	—		

VULCAN Mk. 2

EQUIPMENT-AIRCRAFT

FIREPROOFING AND SOUNDPROOFING

Ref. No.	Part No.	Description	No. off	Matl. Spec.	Cl. of St.	Plate and Illust'n No.
					M.R.	
		1 2 3 4				
HEAT INSULATION, BOMB AIMER'S BLISTER AND SURROUNDS (Z9983) (Mod. 689) (Cont'd)						
	31Z7481	Pad, between formers 337-344, 2' 2" x 12" .. (Pre-Mod. 2202)	2	-		
	32Z7481	Pad, between formers 330-337, 2' 0" x 12" .. (Pre-Mod. 2202)	2	-		
	33Z7481	Pad, between formers 323-330, 1' 10" x 12" .. (Pre-Mod. 2202)	2	-		
	34Z7481	Pad, between formers 337-344, 3' 0" x 17" .. (Pre-Mod. 2202)	2	-		
	35Z7481	Pad, between formers 344-351, 2' 11-1/2" x 17" (Pre-Mod. 2202)	2	-		
	36Z7481	Pad, between formers 337-344, 3' 0" x 17" .. (Pre-Mod. 2202)	2	-		
	39Z7481	Pad, between formers 316-323, 3' 0" x 17.5" .. (Pre-Mod. 2202)	2	-		
	40Z7481	Pad, between formers 309.5-316, 2' 10" x 17"	2	-		
	45Z7481	Pad, between formers 358-362-367-372, ..... 2' 4" x 15"	5	-		
	46Z7481	Pad, between formers 344-351 6" x 8" ..... (Pre-Mod. 2202)	2	-		
	2Z9983	Pad, between formers 330-337 2' 9" x 17" ... (Pre-Mod. 2202)	2	-		
	3Z9983	Pad, between formers 323-330 2' 8" x 17" ... (Pre-Mod. 2202)	2	-		
	4Z9983	Pad, between formers 330-337 18" x 18" .... (Pre-Mod. 2202)	1	-		
	5Z9983	Pad, between formers 323-330 18" x 18" .... (Pre-Mod. 2202)	1	-		
	6Z9983	Pad, between formers 362-367, starboard, .... 2' 1.5 x 14 5"	1	-		
	7Z9983	Pad, between formers 351-358 3' 2.5" x 17" ..	2	-		
	8Z9983	Pad, between formers 309.5-316-323-330-337 and 344-351 3' 2.5" x 17" ..	10	-		
	9Z9983	Pad, between formers 337-344 3 25" x 17" ..	2	-		
	10Z9983	Pad, between formers 323-330, 3.25" x 17" ..	2	-		
	2Z12214	Panel, insulating (Mod. 2202) .....	2	-		
	3Z12214	Panel, insulating (Mod. 2202) .....	1	-		
	4Z12214	Panel, insulating (Mod. 2202) .....	1	-		
	5Z12214	Panel, insulating (Mod. 2202) .....	1	-		
	6Z12214	Panel, insulating (Mod. 2202) .....	1	-		
	7Z12214	Panel, insulating (Mod. 2202) .....	1	-		
	8Z12214	Panel, insulating (Mod. 2202) .....	1	-		
	9Z12214	Panel, insulating (Mod. 2202) .....	1	-		
	10Z12214	Panel, insulating (Mod. 2202) .....	1	-		
	11Z12214	Panel, insulating (Mod. 2202) .....	1	-		
	12Z12214	Panel, insulating (Mod. 2202) .....	1	-		
	13Z12214	Panel, insulating (Mod. 2202) .....	1	-		
	14Z12214	Panel, insulating (Mod. 2202) .....	1	-		
	15Z12214	Panel, insulating (Mod. 2202) .....	1	-		
	16Z12214	Panel, insulating (Mod. 2202) .....	1	-		
	17Z12214	Panel, insulating (Mod. 2202) .....	1	-		

EQUIPMENT-AIRCRAFT  
FIREPROOFING AND SOUNDPROOFING

Ref. No.	Part No.	Description	No. off	Matl. Spec.	Cl. of St.	Plate and Illust'n No.
					M.R.	
		1 2 3 4				
		HEAT INSULATION OF CANOPY (D8626)				
		Spares for:—				
	201D8626	Adhesive (Pyrobell)	QR	—		
	184D8626	Pad between formers 288-302, 17.5" x 23.5"	2	—		
	185D8626	Pad between formers 302-316, 12.5" x 24"	2	—		
	186D8626	Pad between formers 316-330, 15" x 24"	2	—		
	187D8626	Pad between formers 330-344, 16" x 23"	2	—		
	188D8626	Pad between formers 288-302, 17.5" x 23.5"	2	—		
	189D8626	Pad between formers 302-316, 12.5" x 24"	2	—		
	190D8626	Pad between formers 288-302, 17.5" x 22.5"	2	—		
	191D8626	Pad between formers 302-316, 12.5" x 23"	2	—		
	192D8626	Pad between formers 288-302, 17.5" x 6"	2	—		
	193D8626	Pad between formers 302-316, 12.5" x 9"	2	—		
	194D8626	Pad between formers 288-302, 14.25" x 8.5"	2	—		
	195D8626	Pad between formers 302-316, 9" x 8.5"	2	—		
	196D8626	Pad between formers 316-330, 12.25" x 8.5"	2	—		
	197D8626	Pad between formers 330-344, 4.25" x 8.5"	2	—		
	198D8626	Pad between formers 330-344, 30" x 30"	2	—		
	199D8626	Pad between formers 330-344, 30" x 30"	2	—		
	200D8626	Strip, between window channels 75" x 2.5" approx.	2	—		
		HEAT INSULATION, FRONT PRESSURE BULKHEAD (1Z9724)				
		Spares for:—				
	6Z9724	QUILT, AT ACCESS DOOR, 32" DIA., GROUP	1	—		
	7Z9724	QUILT, BOTTOM STEP, 25" x 70" APPROX, GROUP	1	—		
	10Z9724	QUILT, LOWER, 4' 6" x 3' 0" APPROX., STARBOARD, GROUP	1	—		
	11Z9724	QUILT, LOWER, 4' 6" x 3' 0" APPROX., PORT, GROUP (Pre-Mod. 980)	1	—		
	12Z9724	QUILT, LOWER, 4' 6" x 3' 0" APPROX., PORT, GROUP (Mod. 980)	1	—		
	13Z9724	QUILT, UPPER, 5' 0" x 4' 6" APPROX., PORT, GROUP (Mod. 969)	1	—		
	14Z9724	QUILT, UPPER, 5' 0" x 4' 6" APPROX., STARBOARD, GROUP (Mod. 969)	1	—		
		HEAT INSULATION, REAR PRESSURE BULKHEAD (1Z9707)				
	5Z9707	QUILT, BETWEEN STIFFENERS 28-29 D9460, UPPER, PORT, GROUP	1	—		

VULCAN Mk. 2

EQUIPMENT-AIRCRAFT  
FIREPROOFING AND SOUNDPROOFING

Page GF. 19

Ref. No.	Part No.	Description				No. off	Matl. Spec.	Cl. of	Plate and Illust'n No.
		1	2	3	4			St. M.R.	
		HEAT INSULATION, REAR PRESSURE BULKHEAD (1Z9707) (Cont'd)							
	7Z9707	QUILT, AT STIFFENER 29D9460 UPPER, . . . PORT, GROUP				1	-		
	8Z9707	QUILT, BETWEEN STIFFENERS 29-30 . . . . D9460, UPPER, STBD, GROUP				1	-		
	9Z9707	QUILT, BETWEEN STIFFENERS 29-30 . . . . D9460, UPPER, PORT, GROUP				1	-		
	10Z9707	QUILT AT STIFFENER, 30D9460 UPPER, . . . STARBOARD, GROUP				1	-		
	11Z9707	QUILT, AT STIFFENER 30D9460 UPPER, . . . PORT, GROUP				1	-		
	12Z9707	QUILT, BETWEEN STIFFENERS 30-31, . . . . D9460, UPPER, STARBOARD, GROUP				1	-		
	13Z9707	QUILT, BETWEEN STIFFENERS 30-31 . . . . D9460, UPPER, PORT, GROUP				1	-		
	15Z9707	QUILT AT STIFFENER, 31D9460 UPPER, . . . PORT, GROUP				1	-		
	16Z9707	QUILT, BETWEEN STIFFENERS 31D9460- . . . 10D9493, UPPER, STBD, GROUP				1	-		
	17Z9707	QUILT, BETWEEN STIFFENERS 31D9460- . . . 10D9493, UPPER, PORT, GROUP				1	-		
	19Z9707	QUILT, AT STIFFENER 10D9493 UPPER, . . . PORT, GROUP				1	-		
	24Z9707	QUILT, BETWEEN STIFFENERS 32-33 . . . . D9460, UPPER, STBD, GROUP				1	-		
	26Z9707	QUILT, AT STIFFENER 33D9460, UPPER, . . . STARBOARD, GROUP				1	-		
	29Z9707	QUILT, BETWEEN STIFFENERS 33-34 . . . . D9460, UPPER, PORT, GROUP				1	-		
	33Z9707	QUILT, BETWEEN STIFFENERS 33-34 . . . . D9460, CENTRE, LOWER, PORT, GROUP				1	-		
	35Z9707	QUILT, AT STIFFENER 34D9460 LOWER, . . . PORT, GROUP				1	-		
	36Z9707	QUILT, BETWEEN STIFFENERS 33-34 . . . . D9460, LOWER STARBOARD, GROUP				1	-		

EQUIPMENT— AIRCRAFT  
FIREPROOFING AND SOUNDPROOFING

Ref. No.	Part No.	Description	No. off	Matl. Spec.	Cl. of St.	Plate and Illust'n No.
					M.R.	
		1 2 3 4				
		HEATING INSULATION, REAR PRESSURE BULKHEAD (1Z9707) (Cont'd)				
	37Z9707	QUILT, BETWEEN STIFFENERS 33-34 . . . . D9460, LOWER, PORT, GROUP	1	—		
	42Z9707	QUILT, AT STIFFENER, 32D9460 LOWER, . STARBOARD, GROUP	1	—		
	44Z9707	QUILT, BETWEEN STIFFENERS 32D9460- . 1D10331, LOWER STBD., GROUP	1	—		
	45Z9707	QUILT, BETWEEN STIFFENERS 32D9460- . 1D10331, LOWER, PORT, GROUP	1	—		
	46Z9707	QUILT, AT STIFFENER 1D10331, LOWER, . STARBOARD, GROUP	1	—		
	48Z9707	QUILT, BETWEEN STIFFENERS 1D10331- . 31D9460, LOWER STBD., GROUP	1	—		
	53Z9707	QUILT, BETWEEN STIFFENERS 31-30D9460, LOWER, PORT, GROUP	1	—		
	57Z9707	QUILT, BETWEEN STIFFENERS 30-29D9460, LOWER, PORT, GROUP	1	—		
	58Z9707	QUILT, AT STIFFENER 29D9460 LOWER, . STARBOARD, GROUP	1	—		
	62Z9707	QUILT, AT STIFFENER 114D9460 . . . . . LOWER, STARBOARD, GROUP	1	—		
	68Z9707	QUILT, AT STIFFENER, 33D9460 UPPER, . CENTRE, GROUP	1	—		
	70Z9707	QUILT, BETWEEN STIFFENERS 1D10331- . 31D9460 LOWER, CENTRE, GROUP	1	—		
	71Z9707	QUILT, BETWEEN STIFFENERS 32-33D9460, UPPER, PORT, GROUP (Mod. 748)	1	—		
	81Z9707	QUILT, BETWEEN STIFFENERS 29D9460- . 114D9460, LOWER STBD., GROUP (Mod. 748)	1	—		
	82Z9707	QUILT, BETWEEN STIFFENERS 30-29D9460, LOWER STBD., GROUP (Mod. 748)	1	—		

EQUIPMENT-AIRCRAFT  
FIREPROOFING AND SOUNDPROOFING

Ref. No.	Part No.	Description	No. off	Matl. Spec.	Cl. of St.	Plate and Illust'n No.
					M.R.	
		HEAT INSULATION, REAR PRESSURE BULKHEAD (1Z9707) (Cont'd)				
	84Z9707	QUILT, BETWEEN STIFFENERS ..... 32-33D9460, LOWER, PORT, GROUP (Mod. 1009)	1	-		
	85Z9707	QUILT, BETWEEN STIFFENERS ..... 32-33D9460, LOWER, STBD., GROUP (Mod. 931)	1	-		
	87Z9707	QUILT, AT STIFFENER, 34D9460 LOWER, . STBD., GROUP (Mod. 748)	1	-		
	38Z9707	QUILT, AT STIFFENER 33D9460 LOWER, . STBD., GROUP (Pre-Mod. 972)	1	-		
	88Z9707	QUILT, AT STIFFENER, 33D9460 LOWER, . STBD., GROUP (Mod. 972)	1	-		
	30Z9707	QUILT, AT STIFFENER 34D9460 CENTRE, UPPER, STBD., GROUP (Pre-Mod. 980)	1	-		
	89Z9707	QUILT, AT STIFFENER 34D9460 CENTRE, UPPER, STBD., GROUP (Mod. 980)	1	-		
	69Z9707	QUILT, AT STIFFENER, 34D9460 UPPER, . CENTRE, GROUP (Pre-Mod. 980)	1	-		
	90Z9707	QUILT, AT STIFFENER 34D9460 UPPER, . CENTRE, GROUP (Mod. 980)	1	-		
	32Z9707	QUILT, BETWEEN STIFFENERS ..... 33-34D9460 CENTRE, LOWER, STBD., GROUP (Pre-Mod. 980)	1	-		
	93Z9707	QUILT, BETWEEN STIFFENERS ..... 33-34D9460 CENTRE, LOWER, STBD., GROUP (Mod. 980)	1	-		
	94Z9707	QUILT, AT STIFFENER, 1D10331 LOWER, . PORT, GROUP (Mod. 1222)	1	-		
	95Z9707	QUILT, AT STIFFENER 1D10331 LOWER, . CENTRE, GROUP (Mod. 1222)	1	-		
	97Z9707	QUILT, AT STIFFENER 114D9460 LOWER . PORT, GROUP (Mod. 1222)	1	-		
	98Z9707	QUILT, AT STIFFENER 114D9460 LOWER, PORT, GROUP (Mod. 1222)	1	-		

EQUIPMENT-AIRCRAFT  
FIREPROOFING AND SOUNDPROOFING

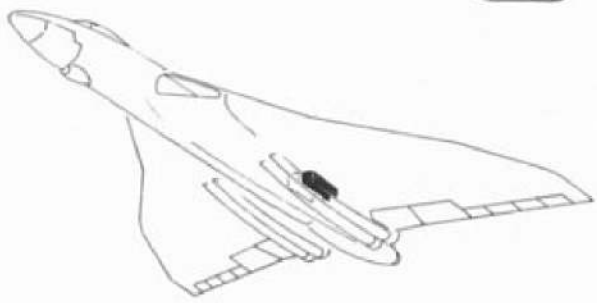
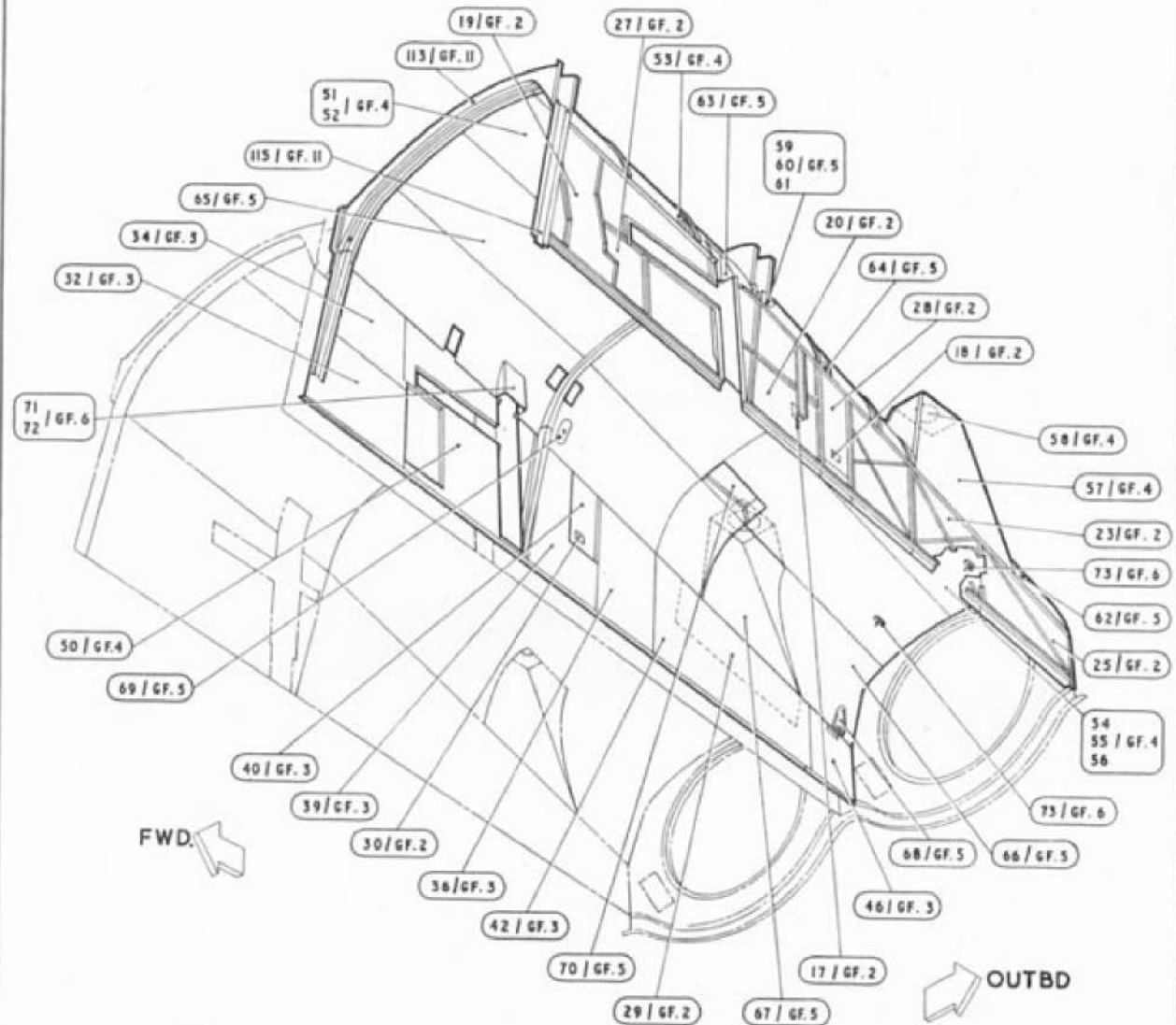
Ref. No.	Part No.	Description	No. off	Matl. Spec.	Cl. of St.	Plate and Illust'n No.
					M.R.	
		1 2 3 4				
		HEAT, INSULATION, REAR PRESSURE BULKHEAD (1Z9707) (Cont'd)				
	102Z9707	QUILT, BETWEEN STIFFENERS ..... 29D9460-114D9460, LOWER, PORT, GROUP (Mod. 1222)	1	-		
	107Z9707	QUILT, BETWEEN STIFFENERS ..... 32D9460-10D9493, UPPER STBD., GROUP (Mod. 1174)	1	-		
	28Z9707	QUILT, BETWEEN STIFFENERS ..... 33-34D9460, UPPER, STBD., GROUP (Pre-Mod. 908)	1	-		
	108Z9707	QUILT, BETWEEN STIFFENERS ..... 33-34D9460, UPPER STBD., GROUP (Mod. 908)	1	-		
	109Z9707	QUILT, BETWEEN STIFFENERS ..... 30-31D9460, LOWER, STBD., GROUP (Mod. 1174)	1	-		
	110Z9707	QUILT, BETWEEN STIFFENERS ..... 1D 10331-31D9460, LOWER, PORT, GROUP (Mod. 1174)	1	-		
	111Z9707	QUILT, BETWEEN STIFFENERS ..... 32D9460-1D9493, UPPER, PORT, GROUP (Mod. 1174)	1	-		
	112Z9707	QUILT, BETWEEN STIFFENERS ..... 32-33D9460, UPPER, STBD., GROUP (Mod. 1291) (For use on First 26 A/C sets)	1	-		
	114Z9707	QUILT, AT STIFFENER 32D9460 UPPER, .. PORT, GROUP (Mod. 1174)	1	-		
	115Z9707	QUILT, AT STIFFENER 33D9460 UPPER, .. PORT, GROUP (Mod. 1174)	1	-		
	116Z9707	QUILT, AT STIFFENER 34D9460 CENTRE, UPPER, PORT, GROUP (Mod. 1174)	1	-		
	117Z9707	QUILT, AT STIFFENER 34D9460 LOWER, . CENTRE, GROUP (Mod. 1174)	1	-		
	118Z9707	QUILT, AT STIFFENER 33D9460 LOWER, . CENTRE, GROUP (Mod. 1174)	1	-		
	119Z9707	QUILT, AT STIFFENER 32D9460 LOWER, . CENTRE, GROUP (Mod. 1174)	1	-		

EQUIPMENT-AIRCRAFT  
FIREPROOFING AND SOUNDPROOFING

Ref. No.	Part No.	Description	No. off	Matl. Spec.	Cl. of St.	Plate and Illust'n No.
					M.R.	
		1 2 3 4				
		HEAT INSULATION, REAR, PRESSURE BULKHEAD (129707) (Cont'd)				
	120Z9707	QUILT, AT STIFFENER 31D9460 LOWER, . STBD., GROUP (Mod. 1174)	1	-		
	121Z9707	QUILT, AT STIFFENER 31D9460 LOWER, . PORT, GROUP (Mod. 1174)	1	-		
	122Z9707	QUILT, AT STIFFENER 30D9460 LOWER, . STBD., GROUP (Mod. 1174)	1	-		
	123Z9707	QUILT, AT STIFFENER 30D9460 LOWER, . PORT, GROUP (Mod. 1174)	1	-		
	124Z9707	QUILT, BETWEEN STIFFENERS . . . . . 28-29D9460, UPPER, STBD., GROUP (Mod. 1220)	1	-		
	125Z9707	QUILT, ABOVE STIFFENER 28D9460, . . . . UPPER, GROUP (Mod. 1220)	1	-		
	126Z9707	QUILT, AT STIFFENER 28D9460 . . . . . UPPER, GROUP (Mod. 1220)	1	-		
	127Z9707	QUILT, AT STIFFENER 29D9460 UPPER, . . STBD., GROUP (Mod. 1220)	1	-		
	128Z9707	QUILT, AT STIFFENER 31D9460 UPPER, . . STBD., GROUP (Mod. 1174)	1	-		
	129Z9707	QUILT, AT STIFFENER 10D9493 UPPER, . . STBD., GROUP (Mod. 1220)	1	-		
	130Z9707	QUILT, AT STIFFENER 32D9460 UPPER, . . STBD., GROUP (Mod. 1174)	1	-		
	131Z9707	QUILT, AT STIFFENER 33D9460 LOWER, . PORT, GROUP (Mod. 1174)	1	-		
	132Z9707	QUILT, AT STIFFENER 32D9460 LOWER, . PORT, GROUP (Mod. 1174)	1	-		
	133Z9707	QUILT, AT STIFFENER 29D9460 LOWER, . PORT, GROUP (Mod. 1174)	1	-		
		HEAT INSULATION, REAR COCKPIT RAIL STRUCTURE (Drg. Ref. No. D8754 Sht. 5)				
	314D8754	Spares for:- Blanket, between formers 274-288 18" x 24"	6	-		
	315D8754	Blanket, between formers 274-288 15" x 24"	2	-		

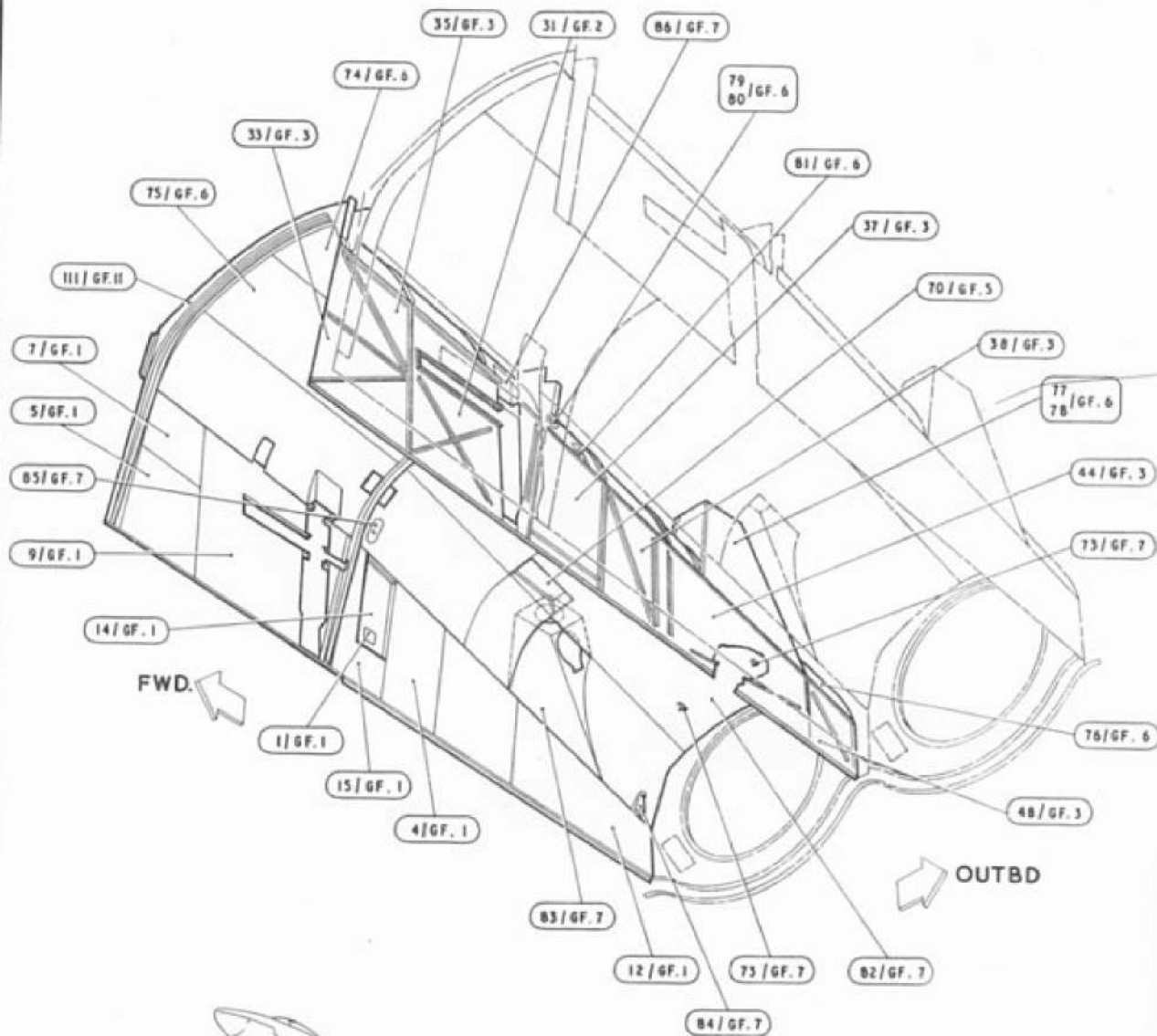
EQUIPMENT-AIRCRAFT  
FIREPROOFING AND SOUNDPROOFING

Ref. No.	Part No.	Description	No. off	Matl. Spec.	Cl. of St.	Plate and Illust'n No.
					M.R.	
		1 2 3 4				
		HEAT INSULATION, UNDERBELLY STRUCTURE (Drg. Ref. No. D9550 Sht. 2)				
		Spares for:-				
	25D9550	Adhesive, Pyrobel .....	QR	-		
	24D9550	Binding, Septum .....	QR	-		
	20Z7071	Pad, between former 302 station 294.45, 42" x 17"	2	-		
	2Z7072	Pad, between formers 204-218 45" x 15" ....	4	-		
	3Z7072	Pad, between former 302 & station 294.45, .. 32" x 15"	2	-		
	5Z7072	Pad, between former 302 & station 294.45, .. 32" x 14"	4	-		
	6Z7072	Pad, between former 218 & station 228.75, .. 38" x 15"	3	-		
	7Z7072	Pad, between former 218 & station 228.75, .. 38" x 14" (Pre-Mod. 2202)	2	-		
	8Z7072	Pad, between former 218 & station 228.75, .. 11.5" x 11" (Pre-Mod. 2202)	2	-		
	13Z7072	Pad, between former 218 & station 228.75, .. 22" x 15" (Pre-Mod. 2202)	1	-		
	84D8700	Pad, between former 288 & station 294.45, .. 16" x 26"	2	-		
	86D8700	Pad, between former 288 & station 294.45, .. 16" x 30"	2	-		
	87D8700	Pad, between formers 232-288, 22" x 28" ...	4	-		
	88D8700	Pad, centre, at door aperture, port and .....	4	-		
		starboard, 22" x 24"				
	89D8700	Pad, between formers 232-288, 22" x 36" ...	8	-		
	90D8700	Pad, between former 288 & station 294.45, .. 15" x 36"	2	-		
	91D8700	Pad, between former 232 & station 228.75, .. 24" x 18"	4	-		
	92D8700	Pad, between former 232 & station 228.75, .. 10" x 5"	2	-		
	93D8700	Pad, between former 232 & station 228.75, .. 6" x 5"	2	-		
	22D9550	Pad, between former 302 & station 294.45, .. 20" x 16"	3	-		
	23D9550	Pad, between former 288 & station 294.45, .. 20" x 13"	1	-		
		NOTE:-PADS AND BLANKETS ARE MADE OF:- 1/2" THICK FINE FIBRE GLASS, CRAYTHERM COVERED ONE SIDE ONLY. (L/M from Ref. No. 328/1288)				
		QUILTS ARE MADE OF:- TWO 1/2" THICK FIBREGLASS SHEETS COVERED ONE SIDE MADAPOLIN & THE OTHER SIDE WITH No. 232 GRAIN VYNIDE, SHADE 1012 OR 1006.				
		PANELS ARE MADE OF:- 1" THICK EXPANDED POLYTHENE.				

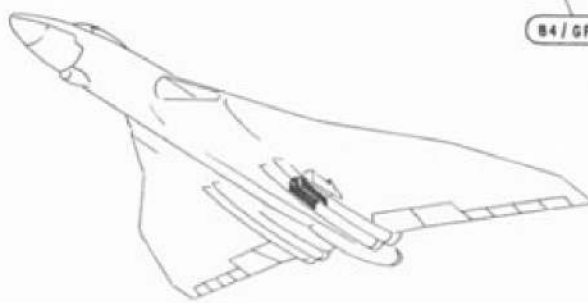


PORT OUTER BAY

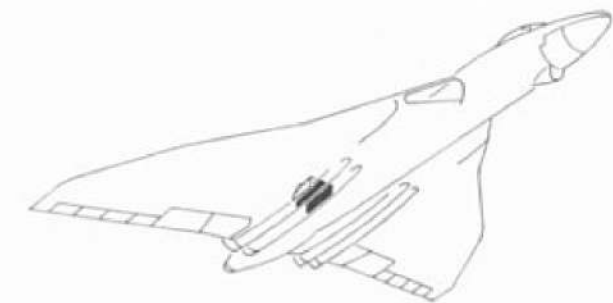
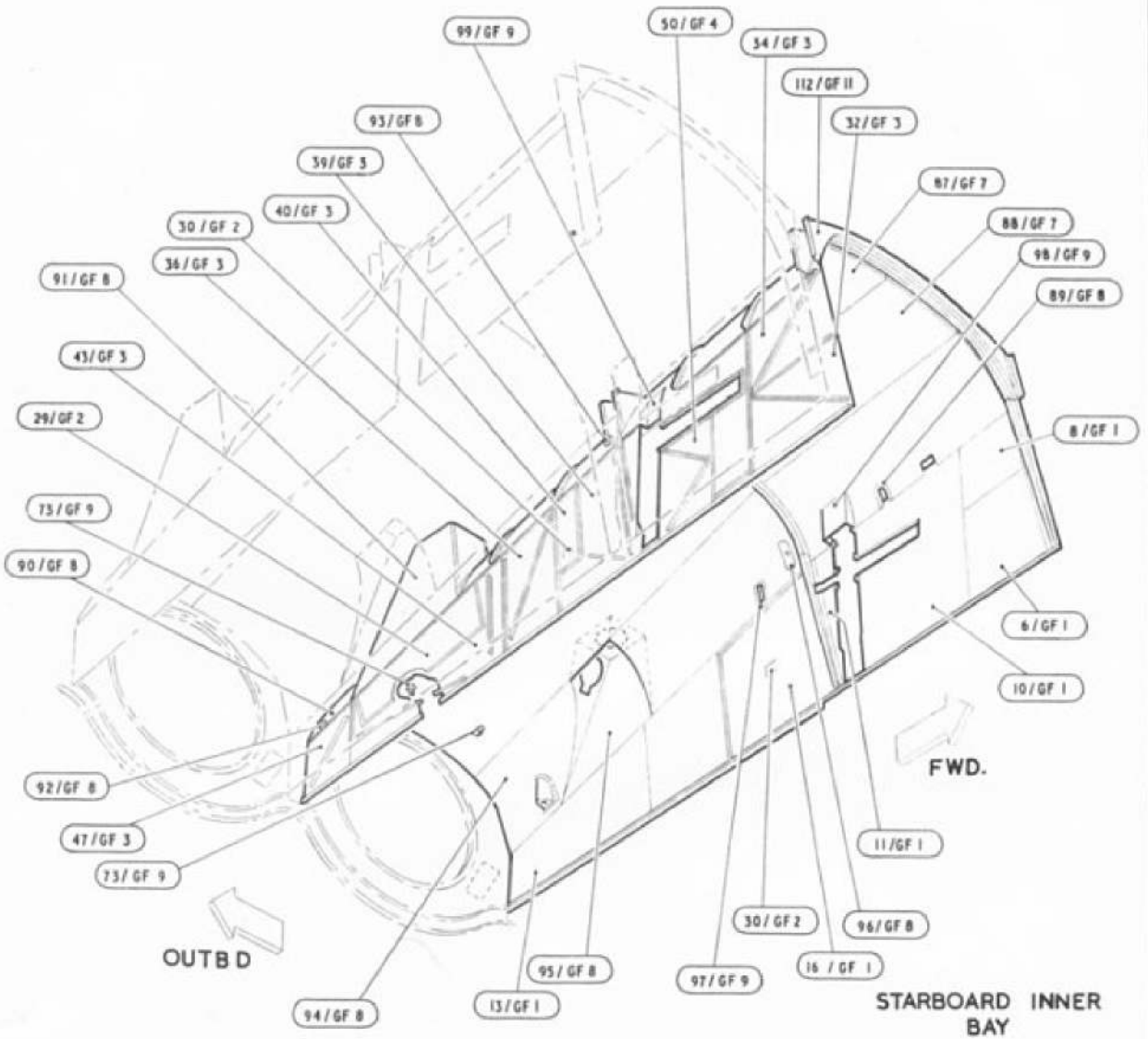
EQUIPMENT AIRCRAFT  
FIREPROOFING AND SOUNDPROOFING



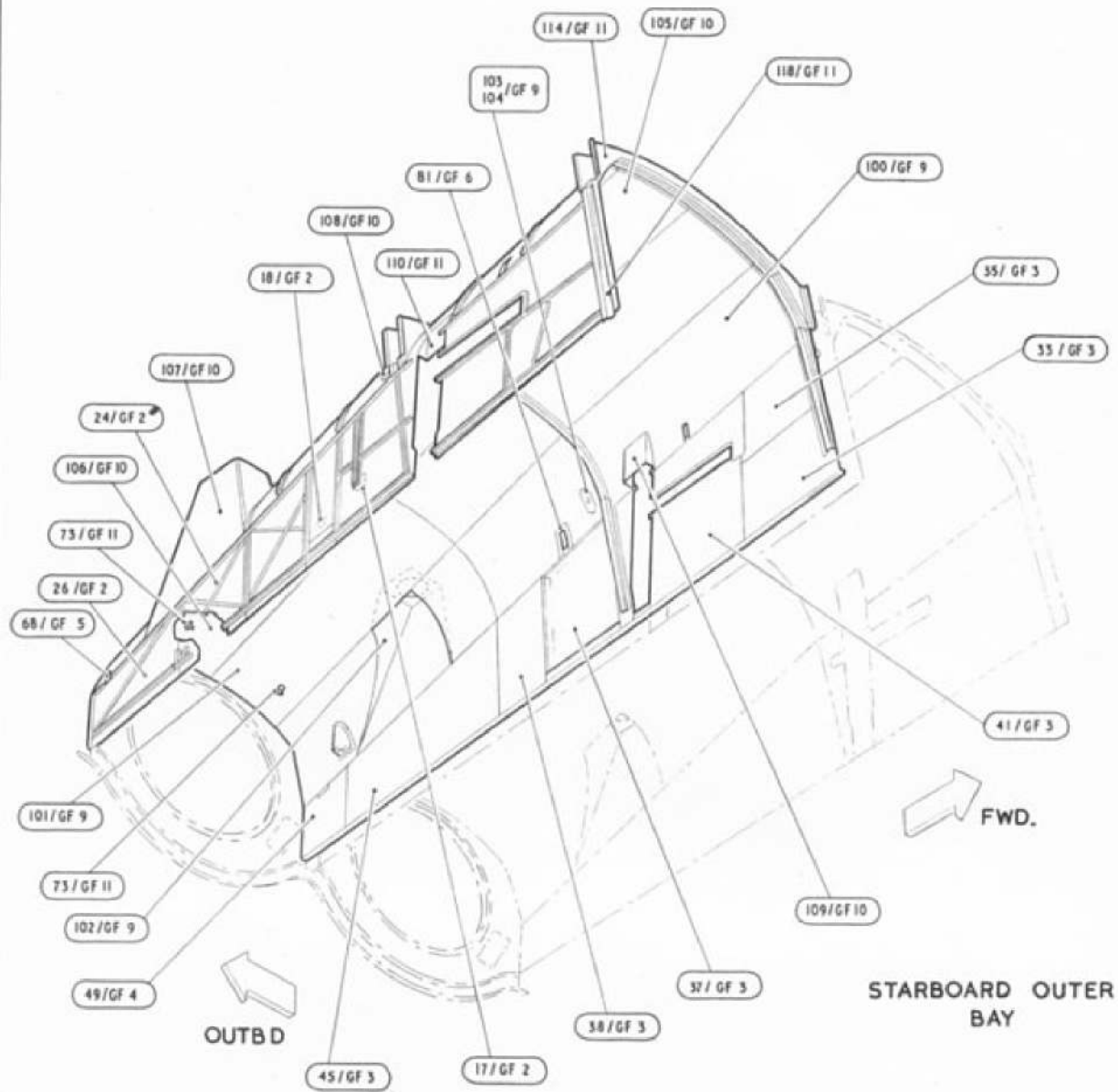
PORT INNER BAY



EQUIPMENT AIRCRAFT  
FIREPROOFING AND SOUNDPROOFING



EQUIPMENT AIRCRAFT  
FIREPROOFING AND SOUNDPROOFING



EQUIPMENT AIRCRAFT  
FIREPROOFING AND SOUNDPROOFING

A small line drawing of an aircraft in profile, showing the location of the Starboard Outer Bay on the right side of the fuselage.

This file was downloaded  
from the RTFM Library.  
Link: [www.scottbouch.com/rtfm](http://www.scottbouch.com/rtfm)

Please see site for usage terms,  
and more aircraft documents.

