

VULCAN Mk. 2

EQUIPMENT—AIRCRAFT

Page GG. 1

INSTRUMENT PANELS

Ref. No.	Part No.	Description	No. off	Matl. Spec.	Cl. of St.	Plate and Illust'n No.
					M.R.	
		1 2 3 4				
		PANELS, INSTRUMENT IN BOMB BAY CENTRE FUSELAGE AND MAIN PLANES				
		Spares for:—				
		PANEL, PORT WING DE-ICING, 17P (1V7686) (See Electrics, Below Air Intakes)				
		PANEL, STARBOARD WING DE-ICING 18P (2V7686) (See Electrics, Below Air Intakes)				
		PANEL, BOMB GEAR DISTRIBUTION, 20P (1V6331) (See Electrics, Centre Fuselage)				
	1V6333	PANEL, T.B. 21P AT BOMB ARCH STATION 151 919A, GROUP (Mod. 1377)	1	—	—	GG12/1
		Spares for:—				
		Block, terminal	9	—	C	GG12/2
		Block, terminal, 5-way	1	—	C	GG12/3
		Cover	1	—	—	GG12/4
	605V6374	Label, "605"	1	L59		
	606V6374	Label, "606"	1	L59		
	607V6374	Label, "607"	1	L59		
	608V6374	Label, "608"	1	L59		
	609V6374	Label, "609"	1	L59		
	610V6374	Label, "610"	1	L59		
	611V6374	Label, "611"	1	L59		
	612V6374	Label, "612"	1	L59		
	613V6374	Label, "613"	1	L59		
	614V6374	Label, "614"	1	L59		
5X/6200370	1V5650	Link, commoning	5	—	C	GG12/5
5X/9402803	—	Link, jumper (Pre-Mod. 1377)	1	—	C	
5X/9402794	—					
4680	2V6333	PANEL, LESS EQUIPMENT, GROUP	1	—	B	GG12/6
5X/9402799	—	Socket	5	—	C	GG12/7
5X/4491487	14V5650	Socket, double	5	—	C	GG12/8
5X/4491488	15V5650	Socket, single	26	—	C	GG12/9
		PANEL, FIN DE-ICING, 23P IN BOMB BAY, AFT (3V7686)	—	—	—	GG12/10
		Spares for:—				
5X/6200370	1V5650	Block, terminal	3	—	C	GG12/11
	1V10227	CABLE, LOOM, GROUP	1	—		
	2V6335	COVER, GROUP	1	—	MR	GG12/12
		Spares for:—				
28FP/ 9144248	A4/25	Fastener, Dzus	6	—	C	
28FP/ 9430915	GA4/250	Grommet, Dzus	6	—	C	
10H/0560013	—	Holder, valve, V.H.B.51	1	—	C	GG12/13
	9V5857	Insulator	2	BSS972	—	GG12/14
	844V7728	Label, "TB.844"	1	L72		
	845V7728	Label, "TB.845"	1	L72		
	846V7728	Label, "TB.846"	1	L72		

EQUIPMENT—AIRCRAFT

INSTRUMENT PANELS

Ref. No.	Part No.	Description	No. off	Matl. Spec.	Cl. of St.	Plate and Illust'n No.
					M.R.	
		1 2 3 4				
		PANEL, FIN DE-ICING, 23P, IN BOMB BAY, AFT (3V7686) (Continued)				
	7V7687	PANEL ASSEMBLY, GROUP	1	—	—	GG12/15
		Spares for:—				
	461SS6003	Label, "461"	1	L59		
	462SS6003	Label, "462"	1	L59		
	463SS6003	Label, "463"	1	L59		
	464SS6003	Label, "464"	1	L59		
	501SS6003	Label, "501"	1	L59		
	502SS6003	Label, "502"	1	L59		
	503SS6003	Label, "503"	1	L59		
	504SS6003	Label, "504"	1	L59		
	505SS6003	Label, "505"	1	L59		
	506SS6003	Label, "506"	1	L59		
28FP/ 9430916	S4/200	Spring, Dzuz	6	—	C	
	PLESSEY					
5CW/4400162	7CZ103739/2	Relay, type CH/2CO/28/10	1	—	A	GG12/16
	PLESSEY					
5CW/4400161	7CZ105411/2	Relay, type CH/4CO/28/10	3	—	B	GG12/17
	10V5857	RETAINER, VALVE, GROUP	1	—	MR	GG12/18
		Consisting of:—				
28M/1987493	AGS/2001/A1	Nut, stiff, 6 BA	2	—	C	
28M/1200096	A27/AT	Nut, thin, 6 BA	2	—	C	
	10bV5857	Retainer, valve	1	BSS972		
	TERRT EX 5	Spring, extension	2	—		
	10aV5857	Stud, special	2	S1		
28W/9419473	SP15/A	Washer, 6 BA	2	—	C	
	10aV5857	Stud, special	2	S1		GG12/19
	SUNVIC					
	CONTROLS					
5CW/4400081	601/V	Switch, hot wire vacuum (c/w resistor) ..	1	—	B	GG12/20
		PANEL, 28V, REAR SPAR DISTRIBUTION, 26P (1/V7685) (See Electrics, Power Compartment)				
		PANELS, 200/115V SUB DISTRIBUTION, PORT AND STARBOARD, 27P AND 28P (1 and 2V7713) (See Electrics, Centre Fuselage)				
		PANEL, No. 1 ENGINE TB, 30P (1V6339) (See Electrics, Below Air Intakes)				
		PANEL, No. 2 ENGINE TB, 31P (1V6340) (See Electrics, Below Air Intakes)				

VULCAN Mk. 2

EQUIPMENT—AIRCRAFT

Page GG. 3

INSTRUMENT PANELS

Ref. No.	Part No.	Description	No. off	Matl. Spec.	Cl. of St.	Plate and Illust'n No.
					M.R.	
		1 2 3 4				
		PANEL, No. 3 ENGINE TB. 32P (1V6341) (See Electrics, Below Air Intakes)				
		PANEL, No. 4 ENGINE TB. 33P (1V6342) (See Electrics, Below Air Intakes)				
		PANELS, FIRE EXTINGUISHER, PORT AND STARBOARD, 34P AND 35P (1 and 2V8178) (See Electrics, Undercarriage Bay)				
		PANEL, REFUELLING CONTROL PORT AND STARBOARD, 36P AND 37P (1 AND 2V6891) (See Electrics, Undercarriage Bay)				
		PANEL, UNDERCARRIAGE, TB., PORT, 38P (1V9726) (See Electrics, Undercarriage Bay)				
		PANEL, UNDERCARRIAGE, TB., STARBOARD, 39P (2V9726) (See Electrics, Undercarriage Bay)				
		PANEL, BOMB BAY HEATING, 43P (4V7686) (See Electrics, Centre Fuselage)				
		PANEL, FLIGHT REFUELLING, 45P, PORT, 46P, STARBOARD (7 and 8V7446) (See Electrics, Undercarriage Bay)				
		PANEL, R.A.T.O.G. RELAY, 56P IN BOMB BAY, CENTRE PORTION (1V9781)	—	—	—	GG12/21
5X/6200370	1V5650	Spares for:— Block, terminal	5	—	C	GG12/22
5X/4491769	1V7870	BLOCK, EARTHING, GROUP Consisting of:—	1	—	C	GG12/23
5X/7499	3V7870	Screw, 4 BA, cheese head	2	BS249	C	
5X/7500	4V7870	Socket, double, 3 tier	2	Copper	C	
5X/4491778	5V7870	Washer, lock	2	—	C	
5K/4345990	HELLERMANN HV3113 41SS5302	Bung Bush, ringlock	1 1	— —	C MR	GG12/24
6141	3V7585	COVER, 56P, GROUP Spares for:—	1	—	C	GG12/25
28FP/ 9144248	A4/25	Fastener, Dzus	6	—	C	
28FP/ 9430915	GA4/250	Grommet, Dzus	6	—	C	

VULCAN Mk. 2						
Page GG. 4		EQUIPMENT—AIRCRAFT				
INSTRUMENT PANELS						
Ref. No.	Part No.	Description	No. off	Matl. Spec.	Cl. of St.	Plate and Illust'n No.
					M.R.	
		1 2 3 4				
		PANEL, R.A.T.O.G. RELAY, 56P, IN BOMB BAY, CENTRE PORTION (V9781) (Continued)				
	639V7728	Label, "TB.639"	1	L59		
	640V7728	Label, "TB.640"	1	L59		
	641V7728	Label, "TB.641"	1	L59		
	642V7728	Label, "TB.642"	1	L59		
	643V7728	Label, "TB.643"	1	L59		
	644V7728	Label, "TB.644"	1	L59		
	1V9778	LOOM, CABLE, GROUP	1	—		
	1V9782	PANEL, LESS EQUIPMENT, GROUP	1	—	—	GG12/26
		Spares for:—				
28FP/ 9425767	S4/200	Spring, Dzus	6	—	C	
	PLESSEY					
5CW/4400161	7CZ105411/1	Relay	2	—	A	GG12/27
5X/4491487	14V5650	Socket, double	2	—	C	GG12/28
5X/4491488	15V5650	Socket, single	26	—	C	GG12/29
		PANEL, A.P.U. FUSE AND RELAY, 62P (1V8182) (See Electrics, in Main Planes)				
		PANEL, BOMB GEAR DISTRIBUTION, 65P (1V8180) (See Electrics, Centre Fuselage)				
		PANEL, ARTIFICIAL FEEL FAILURE WARNING, 66P (1V8783) (See Electrics, Centre Fuselage)				
		PANEL, EXPLOSION SUPPRESSION RELAY, 76P (1V9158) (See Electrics, Centre Fuselage)				
		PANEL, BOMB BAY TANKS RELAY, 78P (1V9724) (See Electrics, Bomb Bay)				
		PANEL, BOMB BAY TANKS RELAY, 80P (1V9770) (See Electrics, Bomb Bay)				
		PANEL, TRACK AND GLIDE, 83P (1V11032) (Mod. 1259 only) (See Equipment, S.O.O.)				
		PANEL, REFUELLING TIME DELAY, 90P, PORT, 91P, STARBOARD (1 and 2V9890) (See Electrics, Undercarriage Bay)				

VULCAN Mk. 2

EQUIPMENT AIRCRAFT
INSTRUMENT PANELS

Page GG. 5

Ref. No.	Part No.	Description	No. off	Matl. Spec.	Cl. of	Plate and Illust'n No.
					St. M.R.	
		1 2 3 4				
		PANELS, INSTRUMENT, CREW'S COMPARTMENT				
		Spares for:—				
		PANEL, PILOT'S INSTRUMENT (16S2304) (Mod. 2180)	—	—	—	GG3/30
		Spares for:—				
6A/4337780 6417	— 7S2099	Accelerometer (Mk. 2 A)	1	—	A	GG3/31
		Bolt, special, 1/4" dia. for attachment centre panel to bottom bracket L.H. and R.H.	2	K. Monel	C	GG3/32
	7S2304	Bracket, at A/V mountings, top and bottom	5	L40	—	GG2/33
1510524	8S2304	Bracket, at A/V mounting, 1st pilot's panel, bottom, outboard	1	L40	C	GG2/34
	2S2099	BRACKET, A/V MOUNTING, OUTBOARD BOTTOM, PORT AND STARBOARD, GROUP	2	—	—	GG2/35
	3S2099	BRACKET, A/V MOUNTING, INBOARD . L.H. BOTTOM, GROUP	1	—	—	GG3/36
	4S2099	BRACKET, A/V MOUNTING, INBOARD . R.H. BOTTOM, GROUP	1	—	—	GG3/37
	5S2099	BRACKET, A/V MOUNTING, PORT AND STARBOARD, TOP, GROUP	2	—	MR	GG2/38
22665	11S2099	BRACKET, ATTACHMENT OF STAR- . . . BOARD PANEL TO CENTRE PANEL, TOP, GROUP	1	—	C	GG3/39
22664	2S2304	BRACKET, ATTACHMENT OF PORT PANEL TO CENTRE PANEL, TOP, GROUP	1	—	C	GG3/40
	6S2304	BRACKET, STOP, GROUP	6	—	MR	GG2/41
		Consisting of:—				
	6aS2304	Bracket (Make from 42SS3075)	1	L40		
	6bS2304	Stop, natural rubber (Shore hardness 40-50)	1	—		
10AJ/169	—	Mounting, anti-vibration	12	—	B	GG2/42

EQUIPMENT AIRCRAFT
INSTRUMENT PANELS

Ref. No.	Part No.	Description	No. off	Matl. Spec.	Cl. of	Plate and Illust'n No.
					St. M.R.	
		1 2 3 4				
PANELS, PILOT'S INSTRUMENT (S2304) (Continued)						
	14S2667	PANEL, PILOT'S CENTRE, GROUP (Mod. 2180) (Free Fall)	1	—	—	GG3/43
	14S2294	PANEL, PILOT'S CENTRE, GROUP (Mod. 2180) (Blue Steel)	1	—	—	GG3/44
5X/6200370	1V5650	Spares for:— Block, terminal	4	—	C	GG4/45
	4S2741	BRACKET, CABLE SUPPORT, GROUP . (Mod. 1631)	1	—	—	GG3/46
	4S2116	BRACKET, U/C INDICATOR SUPPORT, GROUP (Pre-Mod. 2180)	1	—	—	
	7S2079	Bracket, fixing, for attachment of panel, . 1st and 2nd panels L.H. and R.H.	2	—	—	GG3/47
5L/9959118	PAGE A259	Bulb, for illuminated push button switches	3	—	C	GG3/48
6A/1037233	—	Clamp, for tachometers and temp., indicator (10 off Mod. 1888)	9	—	C	GG3/49
	11cSS4205	Clip, at cable support bracket	2	—	MR	
	12cSS4205	Clip, at cable support bracket	1	—	MR	
	17cSS4205	Clip, at cable support bracket	1	—	—	
5L/9951286	—	Filament	9	—	C	GG3/50
5L/9959118	—	Filament, for pillar light	6	—	C	GG3/51
6A/4338339	SMITHS 11ACR 16S2305 SANGAMO WESTON S128/5/62	Gauge, oil pressure	4	—	A	GG3/52
		Guard, for jettison switch (Mod. 1888) ..	1	—	—	GG3/53
6A/5821		Indicator, C of G	1	—	A	GG3/54
5CZ/4340430	—	Indicator, electro magnetic	5	—	C	GG3/55
5CZ/4340381	—	Indicator, electro magnetic	10	—	C	GG3/56
5CX/4330226	—	Indicator, undercarriage	1	—	B	GG3/57
10Q/16355	—	Indicator (Mod. 1631)	1	—	A	GG3/58
5CZ/4340011	DOWTY C5175Y	Indicator, electro magnetic, Mk. 163	1	—	C	GG3/59
5CZ/4337462	C5175Y	Indicator, electro magnetic, Mk. 15 (Mod. 748)	1	—	C	GG3/60

EQUIPMENT—AIRCRAFT
INSTRUMENT PANELS

Ref. No.	Part No.	Description				No. off	Matl. Spec.	Cl. of St.	Plate and Illust'n No.
		1	2	3	4			M.R.	
		PANEL, PILOT'S CENTRE (4, 6, 11 and 14S2294) (Cont'd)							
5CZ/4340150	PLESSEY 7CZ107626/75			Indicator, electro magnetic	1	—	C	GG3/61	
6A/4337916	SANGAMO WESTON S214/1/11			Indicator, pressure	1	—	A	GG3/62	
6A/4337743	SANGAMO WESTON S149/2/17			Indicator, jet pipe temperature	4	—	A		
6A/1105456	A196/1/65			(Pre-Mod. 2253) Indicator, jet pipe temperature	4	—	A	GG3/63	
	SANGAMO WESTON			(Mod. 2253)					
6A/4337865	S167/1/13			Indicator, control surface	1	—	A	GG3/64	
6TB/4545448	—			Indicator, AP trim (Mod. 1888)	1	—		GG3/65	
5CW/4405549	—			Label, electro magnetic	6	—	C		
5CW/4405550	—			Label, electro magnetic	1	—	C		
9930	859SS6001			Label, fuel pressure	2	—			
	106SS6002			Label, start	1	—	C		
	107SS6002			Label, stop	1	—			
	454SS6002			Label, jettison (Mod. 1888)	1	—			
	812SS6002			Label, C.G. check	1	L59			
	913SS6002			Label, engine control	1	DTD213			
	953SS6004			Label, Alt-fail	1	L59			
	963SS6004			Label, main warning	1	L59			
	964SS6004			Label, artificial feel	1	L59			
	965SS6004			Label, auto stabiliser	1	L59			
	966SS6004			Label, canopy unlocked	1	L59			
	967SS6004			Label, entrance door unlocked	1	L59			
	968SS6004			Label, pitot heater	1	L59			
	971SS6004			Label, air-brake	1	L59			
	144SS6005			Label, main warning PFC units	1	L59			
	391SS6005			Label, RATOG—master (Pre-Mod. 1631) .	1	L59			
	649SS6005			Label, bomb doors and fin position	1	L59			
	548SS6006			Label, HYD power pack	1	—			
	735V6374			Label, panel break	1	L59			
	736V6374			Label, panel break	1	L59			
	1166V7728			Label, red flood	1	DTD213			
	1571V7728			Label, panel lamp	1	DTD213			
	648SS6005			Label, bomb doors (Blue Steel)	1	—			
	970SS6004			Label, bomb doors (Free Fall)	1	—			
5CX/1143867	—			Lamp, pillar	6	—	C	GG3/66	
	22V5650			Link	3	—	MR	GG3/67	
	1V9916			LOOM, CABLE, GROUP (Pre-Mod. 748)	1	—			
	1V10025			LOOM, CABLE, GROUP (Mod. 748) ...	1	—			
	13S2294			PANEL, STRUCTURE, GROUP	1	—	—	GG3/68	
				(Mod. 1888)					

EQUIPMENT—AIRCRAFT
INSTRUMENT PANELS

Ref. No.	Part No.	Description	No. off	Matl. Spec.	Cl. of St.	Plate and Illust'n No.
					M.R.	
		1 2 3 4				
		PANEL, PILOT'S CENTRE (4, 6, 11 and 14S2294) (Cont'd)				
	S3212	Plate, attachment (Mod. 2180)	1	—	—	GG3/69
	1SS4624	Plate, label fixing (Mod. 1888)	1	—	C	GG3/70
5CW/4405759	ROTAX N136931	Plate, switch fixing (Mod. 1888)	1	—	C	GG3/71
6A/5479	SMITHS 1125FS	Selector, M.F.S.	1	—	A	GG3/72
5CW/4405758	ROTAX N136930	Shroud, (Pre-Mod. 1631)	2	—	C	GG3/73
		(3 off Mod. 1888)				
5X/4491487	14V5650	Socket, double	6	—	C	GG3/74
5X/4491488	15V5650	Socket, single	4	—	C	GG3/75
	N.S.F.					
5CW/4400113	8450/B1	Switch, push button	1	—	C	GG3/70
	DOWTY					
5CW/6984	C1514Y	Switch, U/C push button	1	—	A	
		(Pre-Mod. 1262)				
	DOWTY					
	C2524Y/Mk.D	Switch, U/C push button (Mod. 1262)	1	—		GG3/77
5CW/4400230	PAGE ENG. C331/A/5	Switch, illuminated push button, centre	1	—	C	GG3/78
5CW/4400222	PAGE ENG. C331/C/5	Switch, illuminated push button, outer	1	—	C	GG3/79
5CW/4407828	—	Switch, (Mod. 1139)	1	—	C	GG3/80
	DOWTY					
5CW/4400280	C5148/Mk. 35N	Switch (Pre-Mod. 1631)	1	—	B	
5CW/6209279	—	Switch (Mod. 1888)	1	—	C	GG3/81
6A/1054258	—	Tachometer	4	—	A	GG3/82
	—	PANEL, 1st PILOT'S INSTRUMENTS	—	—		
		(34S2305) (Mod. 2292) (Pre-Mod. 2374)				
	—	PANEL, 1st PILOT'S INSTRUMENTS	—	—		GG1/83
		(35S2305) (Mod. 2374)				
	—	PANEL, 1st PILOT'S INSTRUMENTS	—	—		
		(5S2835) (Mod. 2057, 2292)				
		(Pre-Mod. 2374)				
	—	PANEL, 1st PILOT'S INSTRUMENTS	—	—		
		(6S2835) (Mod. 2057, 2292, 2374)				
		Spares for:—				
6A/6201976	L82621-04-010	Altimeter (Mk.29B) (Mod. 2292)	1	—	A	GG1/84
5X/6200370	1V5650	Block, terminal	1	—	C	GG1/85
9572	24S2113	BRACKET, MANIFOLD, GROUP	1	—	C	GG1/86
6A/3823	—	Clamp, auto pilot trim indicator	2	—	C	GG1/87
1433665	KING A/C C16774	Clamp, radio altitude and autoland	1	—		GG1/88
		phase indicator (Mod. 1203)				
6A/2197	—	Clock (Mk.4)	1	—	A	GG1/89

VULCAN Mk. 2

EQUIPMENT—AIRCRAFT
INSTRUMENT PANELS

Page GG. 9

Ref. No.	Part No.	Description	No. off	Mtl. Spec.	Cl. of	Plate and Illust'n No.
					St. M.R.	
		1 2 3 4				
		PANEL, 1st PILOT'S INSTRUMENT (S2305) (S2835) (Continued)				
28F/4051943	AGS3095	Connector, pipe (Mod. 2292)	1	—		
6TB/4545362	—	Compass, beam type "D" (Mod. 1154)	1	—	A	GG1/90
28F/18958	AS6712	Elbow (Mod. 2292)	1	—	C	GG1/90A
5L/9959182	—	Filament, (5 off Mod. 1888)	7	—	C	GG1/91
6A/6004	—	Horizon, artificial (Pre-Mod. 2105)	1	—	A	GG1/92
6A/11139	—	Horizon, artificial (Mod. 2105)	1	—	A	
6A/6376	—	Horizon, director (Pre-Mod. 2116)	1	—	A	
6TB/4549620	—	Horizon, director (Mod. 2116)	1	—	A	GG1/93
6A/3360	—	Indicator, airspeed	1	—	A	GG1/94
6A/6762	—	Indicator, side slip (Mod. 985)	1	—	A	GG1/95
6A/4339155	—	Indicator, Mk. 3, climb and descent	1	—	A	GG1/96
6TB/4545548	—	Indicator, radio alt, and auto-land phase ... (Mod. 1203)	1	—	A	GG1/97
PAGE ENG.						
5CX/1038082	C500/C7	Indicator (Mod. 2057)	1	—	C	GG1/98
5CX/1050488	C500/B7	Indicator (Mod. 2057)	1	—	C	GG1/99
5CX/1038083	C500/A7	Indicator (Mod. 2057)	1	—	C	GG1/100
	20SS6005	Label, I.L.S. marker	1	L59		
	166SS6039	Label, T.F.R. warning	1	—		
	167SS6039	Label, T.F.R. fail	1	—		
	168SS6039	Label, T.F.R. video	—	—		
	10SS6006	Label, auto/th. failure (Mod. 908)	1	—		
	1165V7728	Label, TB.1165	1	DTD1213		
5CX/1085815	H2702	Lamp, warning, type "B" (Pre-Mod. 908) ..	1	—	C	
5CX/1143867	01-0495	Lamp, pillar (5 off Mod. 1888)	7	—	C	GG1/101
PAGE ENG.						
5CX/4330431	C500/E8	Lamp, warning (Mod. 908)	—	—	C	GG1/102
	22V5650	Link	1	—	MR	GG1/103
	1V13186	LOOM, CABLE, GROUP (Pre-Mod. 2374) .	1	—		
	or					
	1V13187	LOOM, CABLE, GROUP	1	—		
	1V17484	LOOM, CABLE, GROUP (Mod. 2374)	1	—		
	or					
	1V17485	LOOM, CABLE, GROUP	1	—		
6A/4333270	—	Machmeter	1	—	C	GG1/104
8894	11S2104	Manifold	2	DTD130	C	GG1/105
28F/1037452	AS8599	Nut, union (Mod. 2292)	2	—	C	GG1/105A
	33S2305	PANEL, GROUP (Mod. 2292)	1	—	—	GG1/106
	or					
	4S2835	PANEL, GROUP (Mod. 2292)	1	—		
	139S1980	Pipe, stub, static, 5/16" o/d x 22G at	1	L56	—	GG1/107
	37S2305	Pipe, stub, static, 5/16" o/d x 22G at	1	L56	—	
	140S1980	Pipe, stub, pressure, 5/16" o/d x 22G at ...	1	L56	—	GG1/108
	36S2305	Pipe, stub, pressure, 5/16" o/d x 22G at ...	1	L56	—	

ELECTRICAL INSTALLATION
INSTRUMENT PANELS

Ref. No.	Part No.	Description	No. off	Matl. Spec.	Cl. of St.	Plate and Illust'n No.
					M.R.	
		1 2 3 4				
		PANEL, 1st PILOT'S INSTRUMENT (S2305) (S2835) (Continued)				
7710	18S2113	Pipe, static, elbow to manifold 5/16" o/d x 22G x 2-1/8"	1	L56	C	GG1/109
	23S2113	Pipe, pressure, elbow to manifold 5/16" o/d x 22G x 2-1/8"	1	L56	MR	GG1/110
	8S2305	Pipe, pressure, machmeter to air speed indicator, 5/16" o/d x 22G	1	L56	—	GG1/111
	13S2305	Pipe, static, machmeter to air speed indicator, 5/16" o/d x 22G	1	L56	—	GG1/112
	21S2305	Pipe, static to tee piece at rate of climb indicator, 5/16" o/d x 22G	1	L56	—	GG1/113
	22S2305	Pipe, static, rate of climb indicator to machmeter 5/16" o/d x 22G	1	L56	—	GG1/114
	23S2305	Pipe, pressure, elbow to tee-piece at machmeter 5/16" o/d x 22G	1	L56	—	GG1/115
	38S2305	Pipe, static, altimeter to air speed indicator, 5/16" o/d x 22G (Mod. 2292)	1	L56	C	GG1/116
	26S2415	Pipe, static, altimeter to elbow 5/16" o/d x 22G x 1-1/4" long	1	L56	MR	GG1/117
6A/6204138	3SK53386	Plate, adaptor (Mod. 2292)	1	—		
	L84380-00-100	Plate, mooring (Mod. 2292)	1	—		GG1/117A
	ROTAX					
5CW/4405757	N135531/1	Plate, fixing (Mod. 1888)	1	—		GG1/118
28F/19987	AGS3099	Ring, "O" (Mod. 2292)	1	—	C	GG1/118A
	ROTAX					
5CW/4405756	N135530	Shroud (Mod. 1888)	1	—	C	GG1/119
5X/4491987	14V5650	Socket, double	2	—	C	GG1/120
5CW/6209279	—	Switch, tail parachute	2	—	C	
	PAGE ENG.					
5CX/4330431	C500/E8	Switch, I.L.S. maker (Mod. 908)	1	—	C	GG1/121
	ROTAX					
5CW/6152	D10004	Switch, double pole (Mod. 1888)	1	—	B	GG1/122
5CW/4400288	C180/A8	Switch, push button (Mod. 768)	2	—	C	
6TB/4545355	—	Unit, annunciator (Pre-Mod. 908)	1	—	A	
6A/7041	—	Unit, vibrator (Mod. 1244)	1	—	A	GG1/123
	26S2306	PANEL, 2nd PILOT'S INSTRUMENT, GROUP (Mod. 2292)	1	—		
	5S2836	PANEL, 2nd PILOT'S INSTRUMENT, GROUP (Mod. 2292) Spares for:—	1	—	—	GG2/124
6A/1146374	—	Altimeter, Mk. 30A (Mod. 2292)	1	—	A	GG2/125
5X/6200370	1V5650	Block, terminal	1	—	C	GG2/126
9571	16S2114	BRACKET, MANIFOLD, GROUP	1	—	C	GG2/127
5CW/4405620	HV3710	Cap, helvyn, for windscreen wiper switch	1	—	C	GG2/128
6A/3823	—	Clamp, for fuel flow indicator	1	—	C	GG2/129
6A/4333716	—	Clamp, for total flow indicator	1	—	C	GG2/130
6TB/4545362	—	Compass, beam, type "D" (Mod. 1154)	1	—	A	GG2/131
28F/4051943	AGS3095	Connector, pipe (Mod. 2292)	1	—		GG2/131A
5X/6621	10V5650	Ferrule	3	—	C	GG2/132

VULCAN Mk. 2

EQUIPMENT—AIRCRAFT

Page GG. 11

INSTRUMENT PANELS

Ref. No.	Part No.	Description	No. off	Matl. Spec.	Cl. of St.	Plate and Illust'n No.
					M.R.	
		1 2 3 4				
		PANEL, 2nd PILOT'S INSTRUMENT (S2306) (Continued)				
5L/9959182	—	Filament	7	—	C	GG2/133
5L/9959182	—	Filament (Mod. 2057)	3	—	C	GG2/134
6TB/4549620	—	Horizon, director (Mod. 2116)	1	—	A	GG2/135
6A/4339155	—	Indicator, Mk. 3Q, climb and descent	1	—	A	GG2/136
10Q/16314	—	Indicator, D.F. bearing, type 1630	1	—	A	GG2/137
	KELVIN & HUGHES					
6A/4378	KAB/505/6K	Indicator, air speed	1	—	A	GG2/138
6A/4254	—	Indicator, total fuel flow	1	—	A	GG2/139
6A/4333686	—	Indicator, fuel flow	1	—	A	GG2/140
6A/6762	—	Indicator, side slip, type K.S.L. 0301 (Mod. 985)	1	—	A	GG2/141
5CZ/1031243	DN1245Z MK. 14	Indicator, magnetic	1	—	A	GG2/142
	PAGE					
5CX/1038083	C500/A7	Indicator (Mod. 2057)	1	—	C	GG2/143
5CX/1050488	C500/B7	Indicator (Mod. 2057)	1	—	C	GG2/144
5CX/1038082	C500/C7	Indicator (Mod. 2057)	1	—	C	GG2/145
	995SS6002	Label, off-fast-slow	1	L59		
	661SS6004	Label, fuel flow-white flood	1	L59		
	166SS6039	Label, T.F.R. warning	1	L59		
	167SS6039	Label, T.F.R. fail (Mod. 2057)	1	L59		
	20SS6005	Label, I.L.S. marker	1	L59		
	284SS6005	Label, oxy. ind.	1	L59		
	577SS6005	Label, ON (Mod. 969)	1	L59		
	682SS6005	Label, fuel fire warning	1	L59		
	168SS6029	Label, T.R.F. video (Mod. 2057)	1	L59		
	169SS6039	Label, T.F.R. (Mod. 2057)	1	L59		
	295SS6039	Label, high (Mod. 2057)	—	—		
	1167V7728	Label, double socket	1	DTD213		
	616SS6033	Label, radio alt. (Mod. 1888)	1	—		
5CX/1143867	01-0495	Lamp, pillar	4	—	C	GG2/146
	PAGE ENG.					
5CX/4330404	C500/A8	Lamp, warning	2	—	C	GG2/147
	22V5650	Link	1	—	MR	GG2/148
6A/4333270	—	Machmeter	1	—	A	GG2/149
8894	11S2104	Manifold	2	DTD130A	C	GG2/150
28F/1037452	AS8599	Nut, union (Mod. 2292)	2	—	—	GG2/150A
	25S2306	PANEL, GROUP (Mod. 2292)	1	—	—	GG2/151
	or					
	6S2836	PANEL, GROUP	—	—		
	140S1980	Pipe, stub, pressure at manifold 5/16" o/d x 22G (Pre-Mod. 2370)	1	L56	—	GG2/152
	27S2306	Pipe, stub, pressure at manifold 5/16" o/d x 22G (Mod. 2370)	1	L56		
	95S2165	Pipe, stub, static at manifold 5/16" o/d x 22G (Pre-Mod. 2370)	1	L56	—	GG2/153
	28S2306	Pipe, stub, static at manifold 5/16" o/d x 22G (Mod. 2370)	1	L56		
	7S2386	Pipe, pressure, elbow to air speed indicator, 5/16" o/d x 22G x 10" long (Mod. 2292)	1	L56	—	GG2/154
	7S2306	Pipe, pressure, air speed indicator to machmeter, 5/16" o/d x 22G x 5-1/2" long	1	L56	—	GG2/155
	11S2306	Pipe, pressure, elbow to manifold 5/16" o/d x 22G x 2-1/8" long	1	L56	—	GG2/156

EQUIPMENT—AIRCRAFT

INSTRUMENT PANELS

Ref. No.	Part No.	Description	No. off	Mati. Spec.	Cl. of St.	Plate and Illust'n No.
					M.R.	
		1 2 3 4				
		PANELS, 2nd PILOT'S INSTRUMENT (S2306) (Cont'd.)				
	12S2306	Pipe, static, elbow to manifold 5/16" o/d x 22G x 2-1/2" long	1	L56	—	GG2/157
	14S2306	Pipe, static, climb and descent indicator to machmeter, 5/16" o/d x 22G x 12" long 22G x 4-1/2" long	1	L56	—	GG2/158
	4S2836	Pipe, 5/16" o/d x 22G (Mod. 2292)	1	L56	—	GG2/159
	19S2306	Pipe, static, elbow to climb and descent indicator, 5/16" o/d x 22G x 11" long	1	L56	—	GG2/160
	8S2836	Pipe, static, elbow to air speed indicator, 5/16" o/d x 22G x 10" long (Mod. 2292)	1	L56	—	GG2/161
	4SK53386	Plate, adaptor (Mod. 2292)	1	—		
5CW/4405759	ROTAX N136931	Plate, shroud fixing	3	—	C	GG2/162
	2SS4624	Plate, shroud fixing, "ON" (made from ... Rotax item N136931)	2	—		GG2/163
	13S4624	Plate, shroud fixing, "re-set" (made from Rotax item N136931)	1	—	—	GG2/164
28F/19987	AGS3099	Ring, "O" (Mod. 2292)	1	—	C	GG2/164A
	ROTAX N135530	Shroud, windscreen wiper switch	2	—	C	GG2/165
5CW/4405756	ROTAX N135531/1	Plate, shroud fixing windscreen wiper ... switch	3	—	C	GG2/166
5CW/4405758	ROTAX N136930	Shroud, windscreen demist-fuel flow white flood	3	—	C	GG2/167
5X/4491487	14V5650	Socket, double	2	—	C	GG2/168
5X/4491488	15V5650	Socket, single	1	—	C	GG2/169
	ROTAX D10004	Switch, d/p windscreen wipers	2	—	B	GG2/170
5CW/6152	—	Switch, de-mist—white flood	2	—	C	GG2/171
	DOWTY AS10512B—3	Switch (Mod. 2057)	1	—	A	GG2/172
5CW/1047695	—	Switch, fuel flow	1	—	C	GG2/173
5CW/4408102	DOWTY AS10512A—4	Switch, windscreen de-ice (Mod. 1942) ...	1	—	—	GG2/174
	PAGE ENG. C500E8	Switch, I.L.S. marker	1	—	C	GG2/175
5CX/4330431	7089	Union, 3-way	2	DTD423	C	GG2/176
6TB/4545355	—	Unit, annunciator	1	—	A	GG2/177
	7S2106	PANEL, INSTRUMENT, PILOT'S PORT OUTER, GROUP (Pre-Mod. 908)	1	—		
	1S2597	PANEL, INSTRUMENT, PILOT'S PORT OUTER, GROUP (Mod. 908) (Pre-Mod. 1204)	1	—		
	4S2597	PANEL, INSTRUMENT, PILOT'S PORT OUTER, GROUP (Mod. 1204)	1	—	—	GG11/178
	3S2106	Spares for:— BRACKET, BOTTOM FIXING, GROUP	1	—	—	GG11/179
	4S2106	BRACKET, TOP FIXING, GROUP	1	—	—	GG11/180

VULCAN Mk. 2

EQUIPMENT—AIRCRAFT
INSTRUMENT PANELS

Page GG. 13

Ref. No.	Part No.	Description	No. off	Matl. Spec.	Cl. of St.	Plate and Illust'n No.
					M.R.	
		PANEL, INSTRUMENT, PILOT'S PORT OUTER (S2106) (S2597) (Cont'd)				
5L/9959182	—	Filament	2	—	C	GG11/181
6TB/4545451	—	Indicator, airspeed detector (Mod. 1204) ..	1	—	A	GG11/182
5CZ/4340430	DN1245Z Mk. 1	Indicator, magnetic (Mod. 908)	1	—	C	GG11/183
	284SS6005	Label, oxy ind. (Mod. 908)	1	L59		
5CX/1143867	01—0495	Lamp, pillar (Mod. 908)	1	—	C	GG11/184
	3S2597	PANEL, GROUP (Mod. 908)	1	—		
		(Pre-Mod. 1204)				
	2S2597	PANEL, GROUP (Mod. 1204)	1	—	—	GG11/185
	5S2106	Piece, distance, 1/2" x 1/2" o/d	1	BSS972	—	GG11/186
	6S2106	Piece, distance, .5" x .44"	1	BSS972	—	GG11/187
	14S597	Plate, blanking (Mod. 2263)	1	—		
	2SS6424	Plate, fixing, white flood switches	1	—		GG11/188
	2SS4625	Plate, fixing, white flood switches	1	—		GG11/189
	ROTAX					
5CW/4405758	N136930	Shroud, white flood switch	1	—	C	GG11/190
5CW/6209280	—	Switch, white flood	1	—	C	GG11/191
6TB/4545355	—	Unit, annunciator (Mod. 908)	1	—	A	GG11/192
	6S2099	Stud, special, for attaching centre panel to fuselage, 1/4" BSF	2	Monel	MR	GG2/193
6418	12S2099	Stud, special, for attaching panels to A/V .. mounting brackets, 1/4" BSF	6	Monel	C	GG3/194
	1S2491	PANEL, REAR, CENTRE CONSOLE,	1	—	—	GG4/195
		GROUP (Mod. 924)				
		Spares for:—				
5CW/4400860	HV4269	Cap, helvyn, black	7	—	C	
5CZ/4340430	DN1245Z Mk. 1	Indicator, Mag. Dowty Type "A"	2	—	A	GG4/196
1433211	1V9534	LIGHT, RED FLOOD, GROUP	2	—	C	GG4/197
		Spares for:—				
	3V9534	Lampholder	1	—		
1433477	4V9534	Screen (Red)	1	Cellastoid	C	
	HELLERMANN					
5X/9462953	HC306	Lug	4	—		
	2S2491	PANEL, GROUP	1	—		GG4/198
	3S2374	Plate, insulating	2	BS2966	—	GG4/199
	4S2374	Plate, retaining	2	BS2966	—	GG4/200
	5S2374	Plate, locking	2	BS2966	—	GG4/201
	6S2374	Screw, special (Made from A43/820)	2	Brass	—	GG4/202

EQUIPMENT—AIRCRAFT

INSTRUMENT PANELS

Ref. No.	Part No.	Description	No. off	Matl. Spec.	Cl. of St.	Plate and Illust'n No.
					M.R.	
		1 2 3 4				
		PANEL, REAR, CENTRE CONSOLE, GROUP (1S2491) (Cont'd.)				
5CW/6205224	N.S.F. Ltd. 26145/16	Switch	7	—	C	GG4/203
	1S2405	PANEL, CENTRE CONSOLE, GROUP	1	—	—	GG4/204
		Spares for:—				
5CW/4400860	HV4269	Cap, helvyn, black	21	—	C	GG4/205
	6bSS4205	Clip (Pre-Mod. 2513)	1	—	MR	
28E/4062094	AS4689	Clip (Mod. 2513)	2	—	C	
	10cSS4205	Clip	1	—	MR	
	14cSS4211	Clip	1	—	MR	
11643	16cSS4211	Clip	1	—	C	
5CW/4222	—	Guard, switch, C of G transfer	2	—	C	GG4/206
	DOWTY					
5CZ/4335672	C5175Y/Mk. 7	Indicator, magnetic	3	—	B	GG4/207
	2S2405	PANEL, LESS EQPT., GROUP	1	—	—	GG4/208
		Spares for:—				
	3S2405	Hinge, (Made from AS1878/45)	1	—		
5CW/1047694	—	Switch, C of G transfer	2	—	C	GG4/209
5CW/4407828	—	Switch, receiver, C of G control	1	—	C	GG4/210
	N.S.F. Ltd.					
5CW/4400085	8295B109	Switch, push button, off	14	—	B	GG4/211
	N.S.F. Ltd.					
5CW/4400113	8450/B1	Switch, push button, off	18	—	B	GG4/212
	N.S.F. Ltd.					
5CW/4400082	8375/B104	Switch, open	3	—	B	GG4/213
	N.S.F. Ltd.					
5CW/6205224	26145/16	Switch, auto manual	4	—	C	GG4/214
5310-99-9436077	1906/1	Washer, C-G transfer and receiver	6	—	C	GG4/215
	1S2395	PANEL, FUEL CONTENTS (BOMB BAY TANK), BEHIND 1st PILOT'S SEAT, GROUP	1	—	—	GG4/216
		Spares for:—				
26TA/17105	3SS5302	Bush, ring lock	2	—		
26TA/11135	12SS5302	Bush, ring lock	1	—		
11422	2SS4204	Grommet	1	—	C	
	SMITHS					
6A/6663	AQ/60	Indicator, fuel contents (Pre-Mod. 2373)	1	—	A	
6A/6208550	AQ/78	Indicator, fuel contents (Mod. 2373, Part A)	1	—	A	GG4/217
	AO/79	Indicator, fuel (Mod. 2373, Part B)	1	—	A	GG4/217
	454SS6039	Label	1	L59		
5CX/1143214	—	Lampholder (Mod. 1509)	1	—	B	GG4/218
5L/9959182	—	Lamp, midget panel (Mod. 1509)	2	—	C	GG4/219
	2S2395	PANEL, LESS EQPT., GROUP	1	—	—	GG4/220
	10SS42499	Plug, rubber (Mod. 924) (Pre-Mod. 1509)	1	—	MR	
	DOWTY					
5CW/1092271	C5162Y/Mk. 16	Switch, push button (Mod. 1509)	2	—	B	GG4/221
5CW/4405522	—	Switch, dimmer	1	—	A	GG4/222
	3S2395	Washer, special, attachment panel to seat	4	—	C	

EQUIPMENT-AIRCRAFT
INSTRUMENT PANELS

Ref. No.	Part No.	Description	No. off	Matl. Spec.	Cl. of	Plate and Illust'n No.
					St. M.R.	
		1 2 3 4				
		PANEL, FUEL CONTENTS (BOMB BAY, TANK BEHIND 1st PILOT'S SEAT) (1S2395) (Continued)				
		Attachments for Panel Part No. 1S2395				
28D/9133012	A25/3C	Bolt, 2 BA	4	—	C	
28M/1012015	AGS2001/C1/66	Nut, stiff, 2 BA	4	—	C	
28W/9419475	SP15/C	Washer, 2 BA	4	—	C	
	9S2150	PANEL, 2P FUEL CONTENTS AT PILOT'S ENGINE CONSOLE, GROUP	1	—	—	GG4/223
		Spares for:—				
6A/6424233	—	Altimeter cabin, Mk. 21A	1	—	A	GG4/224
6A/3823	—	Clamp, for 2" dia. inst-case	1	—	C	GG4/225
6A/6430	SMITH WEYMOUTH AO/69	Indicator, fuel contents	2	—	A	GG4/226
6A/4338503	SMITH WEYMOUTH AO/70	Indicator, fuel contents	2	—	A	GG4/227
	2S2150	LID, ASSEMBLY, GROUP	1	—	—	
		Spares for:—				
	69SS6002	Label, No. 1 engine	1	L59		
	70SS6002	Label, No. 4 engine	1	L59		
10590	877SS6001	Label, No. 2 engine	1	L59	C	
10591	878SS6001	Label, No. 3 engine	1	L59	C	
	232SS6002	Label, rudder trim p & s	1	L59		
	504SS6004	Label, rudder art-feel relief	1	L59		
	6S2150	LID, WELDED, GROUP	1	—	—	GG4/228
5CW/4405759	ROTAX N136931	PLATE, shroud fixing	4	—	C	GG4/229
5CW/4405758	ROTAX N136930	Shroud, rudder trim switch	2	—	C	GG4/230
5CW/5060	—	Shroud, push button switch	1	—	C	GG4/231
9822	8S2150	Tab, rudder trim switches	2	—	C	GG4/232
5CW/4407828	—	Switch, S/P, rudder trim (For A/C not fitted with Mod. 445)	2	—	A	
5CW/4178	—	Switch, S/P, rudder trim (For A/C fitted with Mod. 445)	2	—	B	GG4/233
5CW/6362390	—	Switch, push button	1	—	A	GG4/234
28W/1097257	B & C 1906/1	Washer, spring, at rudder trim switch	4	—	C	
28D/1213051	AS4566/ 1/2C	Attachments for Panel, Part No. 9S2150				
		Bolt	4	—	C	
	1V6984	PANEL, TEMP. SELECTOR, FIN AND WING, DE-ICING AT FORMER 316, PILOT'S FLOOR, STARBOARD	1	—	—	GG4/235
		Spares for:—				
	5V/6984	PANEL, SELECTOR, GROUP	1	—	—	GG4/236
		Spares for:—				
	265SS6002	Label, temp. select de-icing	1	DTD213		
	266SS6002	Label, fin	1	DTD213		

EQUIPMENT—AIRCRAFT
INSTRUMENT PANELS

Ref. No.	Part No.	Description	No. off	Matl. Spec.	Cl. of St.	Plate and Illust'n No.	
					M.R.		
		1	2	3	4		
		PANEL, TEMP. SELECTOR, FIN AND WING, DE-ICING AT FORMER 316, PILOT'S FLOOR STARBOARD (Continued)	1	—	A		
	267SS6002	Label, port wing	1	DTD213			
	268SS6002	Label, starboard wing	1	DTD213			
	2V6984	Panel	1	DTD118A			
5CZ/4335570	TEDDINGTON FHK/A/20	Selector, temperature	3	—	A	GG4/237	
28D/1007982	AS1248/1C	Attachments for Panel Part No. 5V6984	3	—	C		
		Bolt	3	—			
		PANEL, NAVIGATOR, PLOTTER (1S2360) (Pre-Mod. 748)	—	—			
		PANEL, NAVIGATOR, PLOTTER (14S2360) (Mod. 748)	—	—			
		PANEL, NAVIGATOR, PLOTTER (45S2360) (Mod. 2177)	—	—		GG5/238	
		Spares for:—					
5X/4500051	AS2736 OR S2148	Block, fuse (Mod. 1300)	1	—	C	GG5/239	
5X/6200370	1V5650	Block, terminal	1	—	C	GG5/240	
26FP/13993	3SS1979	Bond, braid, flex copper	1	—	C		
	4V10252	Disc, blanking (Mod. 1078)	2	—	—	GG5/241	
	3V10253	Disc, blanking (Mod. 1078)	1	—	—	GG5/242	
5L/9959118	—	Filament (Mod. 1214)	1	—	C	GG5/243	
5CW/1039506	—	Guard, fin door emergency switch	1	—	C	GG5/244	
6D/2237	—	Gauge, oxygen (Pre-Mod. 748)	2	—	A		
	15SS4204	Grommet	3	—			
10F/9561624	PAGE ENG. C500/C8	Indicator, press to test (Mod. 1214)	1	—	—	GG5/245	
5CZ/4337462	DOWTY C5175/MK. 15	Indicator, electro magnetic, 3 position (Mod. 748)	1	—	B	GG5/246	
5CZ/4340430	DN1245/MK. 1	Indicator, oxygen (Mod. 748)	1	—	A	GG5/247	
6A/3682	—	Indicator, temperature (Mod. 1451)	1	—	A	GG5/248	
	806SS6004	Label, chartboard light	1	L59			
	809SS6004	Label, loss of cabin pressure	1	L59			
	583SS6005	Label, oxygen (Mod. 748)	1	L59			
	622SS6005	Label, normal-emergency-fin doors (Mod. 748)	1	L59			
	241SS6006	Label, T.C.U. and auto landing inst. lights	1	L59			
	431SS6006	Label, start-stop-A/C hyd. unit (Mod. 1214)	1	L59			
	432SS6006	Label, start-stop-A/C refrign. unit (Mod. 1214)	1	L59			
	965SS6006	Label, start-home-E.P.C.U. (Mod. 1214)	1	L59			
	270SS6030	Label, refrigeration heaters (Mod. 1709)	1	L59			
12462	401SS6030	Label, F.C.M. coolant temp. (Mod. 1451)	1	L59	C		
	1158V7728	Label, terminal block	1	DTD213			
	172C6375	Label (Mod. 1300)	1	—			
5CX/1085815	H2702	Lamp, warning	1	—	A	GG5/249	
10F/9561624	C500/C8	Lamp, warning (Mod. 1214)	1	—	C		
6TB/4545450	—	Meter, test (Pre-Mod. 2263)	1	—	A	GG5/250	

VULCAN Mk. 2

EQUIPMENT AIRCRAFT
INSTRUMENT PANELS

Page GG. 17

Ref. No.	Part No.	Description	No. off	Matl. Spec.	Cl. of St.	Plate and Illust'n No.
					M.R.	
		1 2 3 4				
		PANEL, NAVIGATOR'S, PLOTTER (S2360) (Continued)				
	1S2358	PANEL, FUEL, CONTENTS, GROUP	1	—	—	GG5/251
5L/9959182	—	Spares for:— Filament	1	—	C	
	3S2358	PANEL, LESS WIRING, GROUP	1	—		
		Spares for:—				
6A/4333554	AG14	Gauge, Smiths fuel contents	2	—	A	GG5/252
6A/4333555	AG15	Gauge, Smiths fuel contents	2	—	A	GG5/253
10Q/16314	—	Indicator, ADF-DF bearing	1	—	A	GG5/254
5CX/1143867	01-0495	Lamp, pillar	1	—	C	GG5/255
	2S2358	PANEL, ASSEMBLY, GROUP	1	—	—	GG5/256
		Spares for:—				
	846SS6004	Label, No. 1 engine	1	L59		
	847SS6004	Label, No. 2 engine	1	L59		
	848SS6004	Label, No. 3 engine	1	L59		
	849SS6004	Label, No. 4 engine	1	L59		
	43S2360	PANEL, STRUCTURE, GROUP	1			
		(Mod. 2177)				
		Spares for:—				
	41S2360	BRACKET, STOWAGE, GROUP	1	—		
	34S2360	Bracket, plug stowage	1	—		
28FP/4062758	FJ3/40	Fastener, Dzus (Pre-Mod. 748)	4	—	C	
28FP/9483306	FJ4/50	Fastener, Dzus (Mod. 748)	4	—	C	
28FP/9489246	121SS6065	Label	1	—		
	122SS6065	Label	1	—		
	123SS6065	Label	1	—		
	124SS6065	Label	1	—		
	125SS6065	Label	1	—		
	126SS6065	Label	1	—		
10AJ/1201980	—	Mounting, A/V, top (Mod. 715)	2	—	B	
10AJ/1201982	—	Mounting, A/V, bottom (Mod. 715)	2	—	B	
	33S2649	Panel	1	—	—	GG5/257
	30S2415	PANEL, NAV. PLOTTER'S INSTRUMENT, GROUP (BLUE STEEL)	1	—		
		(Mod. 1888)				
	31S2415	PANEL, NAV. PLOTTER'S INSTRUMENT, GROUP (FREE FALL)	1	—		GG5/258
		(Mod. 1888)				
		Spares for:—				
6A/82671	—	Altimeter, Mk. 19F (Mod. 1702)	1	—	A	GG5/259
10Q/16459	—	Altimeter, radio (Mod. 1888)	1	—	A	GG5/260

EQUIPMENT AIRCRAFT
INSTRUMENT PANELS

Ref. No.	Part No.	Description	No. off	Matl. Spec.	Cl. of St.	Plate and Illust'n No.
					M.R.	
		1 2 3 4				
		PANEL, NAV. PLOTTER'S INSTRUMENT (S2360) (Cont'd)				
5X/6200370	1V5650	Block, terminal	4	—	C	GG5/261
11648	1T4864	BOX, JUNCTION, GROUP	1	—	A	GG5/262
	2T4864	Spares for:— BOX, GROUP	1	—		
	933SS6003	Spares for:— LABEL, 933	1	L59		
	934SS6003	Label, 934	1	L59		
	3T4864	BOX, TOP, GROUP	1	—		
	4V9636	Spares for:— BLOCK, TERMINAL, GROUP	1	—		
5E/1118763	5T4864	Cable, black, type 2-16/0.2 mm x 1' 0" long	1	—	C	
5E/1118763	6T4864	Cable, black, type 2-16/0.2 mm x 3' 0" long	1	—	C	
10H/0970055	—	Cap, protective	1	—	C	
10H/0560585	—	Plug, fixed	2	—	B	
10H/0560265	—	Socket, fixed	1	—	B	
	3S2309	Bracket, attachment, top	2	L40	—	GG5/263
	20S2415	Bracket, attachment, bottom	2	—	—	GG5/264
5CX/1143214	01—0460	Bridge, pillar light (3 off Mod. 1888) ...	2	—	C	GG5/265
	AGS838/8	Bush, at pipe connections	11	—		
6A/1061012	—	Connector, static, and pressure	2	—	C	
	11S2415	Dowel	2	S1		
5L/9959118	—	Filament (8 off Mod. 1888)	7	—	C	
	5SS4204	Grommet	4	—		
6A/4333387	—	Gauge, air temperature	1	—	A	GG5/266
	KELVIN HUGHES					
6A/4333759	KAB/0505/K	Indicator, air speed	1	—	A	GG5/267
6A/1105620	Type M2372	Indicator, fatigue consumption	1	—	A	GG5/270A
	1159V7728	(Mod. 2388) Label, TB.1159	1	DTD213		
	1160V7728	Label, TB.1160	1	DTD213		
	1163V7728	Label, TB.1163	1	DTD213		
	1164V7728	Label, TB.1164	1	DTD213		
5CX/1143867	01-0495	Lamp, pillar	3	—	C	GG5/268
	MARCONI RID1004/C	LOCK, DEVICE, EDN-C	2	—	—	GG5/269
	AGS838/4	Nut, for pipe connections	9	—		
	29S2415	PANEL, ASSEMBLY, GROUP	1	—		
	15S2415	(Free Fall) PANEL, ASSEMBLY, GROUP	1	—		
	355SS6005	(Blue Steel) Spares for:— Label, steering signal test	1	L59		
	626SS6005	Label, outside air temp.	1	L59		
	627SS6005	Label, true track-magnetic heading ..	1	L59		
	6S2309	Pipe, A.S.I. to connector 5/16" o/d x 22G x 17" long	1	L54	MR	GG5/270

VULCAN Mk. 2

EQUIPMENT AIRCRAFT
INSTRUMENT PANELS

Page GG. 19

Ref. No.	Part No.	Description	No. off	Matl. Spec.	Cl. of St.	Plate and Illust'n No.	
					M.R.		
		1	2	3	4		
		PANEL, NAV. PLOTTER'S INSTRUMENT (S2415) (Cont'd)					
	24S2415	Pipe, altimeter to connector 5/16" o/d x 22G (Mod. 1244)	1	L54	MR	GG5/271	
	25S2415	Pipe, A.S.I. to altimeter, 5/16" o/d x 22G (Mod. 1244)	1	L54	MR	GG5/272	
	26S2415	Pipe, altimeter to 3-way union 5/16" o/d x 22G x 1-1/4" long (Mod. 1244)	1	L54	MR		
	4S2309	Plate, union attachment	1	L72	—	GG5/273	
6TB/4543394	—	Repeater, navigator's compass (Mod. 1851)	1	—	A		
6TB/1558	—	Repeater, navigator's compass (Mod. 1852)	1	—	A	GG5/274	
5X/4491488	15V5650	Socket, single	20	—	C	GG5/275	
28F/1046307	AGS838/1	Union, straight	2	—	C		
28F/1046309	AGS838/3	Union, elbow	1	—	C		
7089	10S2104	Union, 3-way	1	—	C		
6TB/4545307	—	Unit, track control (Mod. 925) (Pre-Mod. 1513)	1	—	A		
6TB/4545348	—	Unit, track control (Mod. 1513)	1	—	A	GG5/276	
6A/4338811	—	Unit, vibrator (Mod. 1244)	1	—	A	GG5/277	
10L/291	—	Panel, window launch control	2	—	A	GG5/278	
	24S2360	Plate, blanking (Mod. 2263)	1	—			
	25S2360	Plate, blanking (Mod. 2263) (Pre-Mod. 2388)	1	—		GG5/278A	
	9SS4491	Plate, fixing, at switch, fin doors emergency (Mod. 748)	1	—			
	10SS4492	Plate, fixing, at switch, fin doors emergency (Mod. 748)	1	—			
	2SS4624	Plate, fixing, at roof light—light under table and pen heater switches	5	—			
	8SS4624	Plate, fixing, at switch, normal fin door	1	—			
	8SS4625	Plate, fixing, at switch, normal fin door	1	—			
5CW/4405759	N13691	Plate, fixing, at switches	7	—	C		
10H/0560700	—	Plug, fixed (Mod. 1078)	1	—	B	GG5/279	
10H/0560760	—	Plug, fixed (Mod. 1078)	2	—	B	GG5/280	
10H/1123441	CANNON CA2182/5	Receptacle, dummy (Mod. 1078)	1	—	C	GG5/281	
5X/9998066	CANNON CA2182/7	Receptacle, dummy (Mod. 1078)	1	—	C	GG5/282	
5X/4491487	14V5650	Socket, double	2	—	C	GG5/283	
5X/4491488	15V5650	Socket, single	1	—	C	GG5/284	
5CW/5060	—	Shroud (Mod. 748)	5	—	C		
5CW/4405758	ROTAX N136930	Shroud, at switches	6	—	C		
5CW/4405756	ROTAX N135530	Shroud, at switch, fin door emergency	1	—	C		
5CW/4405520	—	Switch, dimmer	1	—	B	GG5/285	
5CW/4405515	—	Switch, dimmer	1	—	B	GG5/286	
5CW/2007871	C5162Y Mk.2	Switch, start (Mod. 1078)	1	—	B	GG5/287	
5CW/9438526	C5162Y Mk.3	Switch, push button	2	—	B	GG5/288	
5CW/6362390	C5162Y Mk.4	Switch, push burron	1	—	B	GG5/289	
5CW/6209279	—	Switch, cabin light	1	—	C	GG5/290	

EQUIPMENT AIRCRAFT
INSTRUMENT PANELS

Ref. No.	Part No.	Description	No. off	Matl. Spec.	Cl. of St.	Plate and Illust'n No.
					M.R.	
		1 2 3 4				
		PANEL, NAVIGATOR'S PLOTTER (S2360) (Cont'd)				
5CW/1047690	—	Switch	4	—	A	GG5/291
5CW/6209279	—	Switch, normal fin doors (Mod. 748)	1	—	C	GG5/292
5CW/1047697	—	Switch (Mod. 748)	1	—	B	GG5/293
10L/16716	—	Unit, control (Mod. 1204)	1	—	A	GG5/294
		PANEL, NAVIGATOR'S PORT, GROUP (WITH BLUE STEEL) (1T7785) (Mod. 2155 AND Pre-Mod. 2300) (1T8074) (Mod. 2300) AND 1S3710 (Mod. 2304, Part "B")	—	—		GG6/295
		PANEL, NAVIGATOR'S PORT, GROUP (WITHOUT BLUE STEEL) (1T7784) (Mod. 2155 AND Pre-Mod. 2300) (1T8075) (Mod. 2300) AND 1S3711 (Mod. 2304, Part "C")	—	—		GG6B/523
		Spares for:—				
	1S3554	PANEL, BLANK, GROUP (Mod. 2304, Part "B")	1	—		GG6B/525
	1S3552	PLATE, ADAPTOR, GROUP (Mod. 2304, Part "C")	1	—		GG6B/526
	1S2412	PANEL, OPERATING AND MONITORING CONTROL, GROUP (WITH BLUE STEEL) (Mod. 748)	1	—		
	1S3294	PANEL, MOUNTING, GROUP (WITH BLUE STEEL) (Mod. 2155 AND (Pre-Mod. 2300)	1	—		
	1S3430	PANEL, MOUNTING, GROUP (WITH BLUE STEEL) (Mod. 2300) (Mod. 2304, Part "C")	1	—		
	1S3295	PANEL, MOUNTING, GROUP (WITHOUT BLUE STEEL) (Mod. 2155 AND Pre-Mod. 2300)	1	—		
	1S3431	PANEL, MOUNTING, GROUP (WITHOUT BLUE STEEL) (Mod. 2300) (Mod. 2304, Part "B")	1	—		
		Spares for:—				
5CW/4400860	HV.4629 KING A/C	Cap, helvin	9	—	C	GG6/297
	C12956	Clamp, instrument mounting	8	—		
26FP/13093	8SS3624	Clip	1	—	C	
	6S2412	Cover, painted red (Made from Dowty Pt. No. D7617Y)	1	—		GG6/298
5L/9959118	—	Filament	20	—	C	
	SANGAMO WESTON					
6A/6572	S149—1—133	Gauge, H.T.P. temp. fwd. top	1	—	A	GG6/299
6A/6573	S149—1—134	Gauge, H.T.P. temp. aft top	1	—	A	GG6/300
6A/6577	S149—1—136	Gauge, H.T.P. A.P.U. tank	1	—	A	GG6/301
	S149—2—242					
	OR					
5Q/4348434	S149—2—137	Gauge, alternator control	1	—	A	GG6/302
6A/6574	S216—1—21	Gauge, H.T.P. temp. fwd., bottom aft bottom	1	—	A	GG6/303
6A/6578	S216—1—23	Gauge, steam, P.S.I.	1	—	A	GG6/304
6A/6571	S216—1—20	Gauge, start, fuel	1	—	A	GG6/305
6A/4338993	S216—1—27	Gauge, hyd. P.S.I. and temp.	1	—	A	GG6/306

EQUIPMENT AIRCRAFT
INSTRUMENT PANELS

Ref. No.	Part No.	Description	No. off	Matl. Spec.	Cl. of	Plate and Illust'n No.
					St. M.R.	
		1 2 3 4				
		PANEL (1S2412, 1S3294, 1S3295, 1S3430 AND 1S3431) (Cont'd)				
	8S2412	GUARD, SWITCH, GROUP	2	—	—	GG6/307
	5CS2412	Spares for:— Spring, torsion	1	—		
5CZ/7199	DOWTY C5165Y/MK1P	Indicator, electro magnetic 2 position ... (Mod. 1687)	1	—	B	GG6/308
5CZ/6892	DOWTY C5165Y/MK2P	Indicator, electro magnetic 2 position ...	7	—	B	GG6/309
5CZ/4337639	DOWTY C5175Y/MK15P	Indicator, electro magnetic 3 position ... (Mod. 1078)	3	—	B	GG6/310
	1552V7728	Label, TB.1552	1	DTD213		
	1553V7728	Label, TB.1553	1	DTD213		
	THORN 80/10/0055	Lamp, assy., 2 colour	19	—	—	GG6/311
	80/10/0317	Lamp, assy.	1	—		GG6/312
	1V11147	LOOM, CABLE, GROUP (Mod. 1225) ..	1	—		
	7S2412	PANEL, LESS WIRING, GROUP	1	—		
5X/4491769	1V7870	Spares for:— BLOCK, EARTHING, GROUP	2	—	C	GG6/296
	2V7870	Consisting of:— Block, earthing	1	L33		
5X/7499	3V7870	Screw, 4 BA, cheese head	2	—	C	
5X/7500	4V7870	Socket, double, 3 tier	2	Copper	C	
5X/4491778	5V7870	Washer, lock, shakeproof	2	—	C	
	THORN P1093	Panel, plasteck	1	—		GG6/313
	Q83	Plate, back	1	—		GG6/314
	80/10/0284	Receptacle	3	—		GG6/315
	80/10/0285	Receptacle	3	—		GG6/316
	80/10/0287	Receptacle	8	—		GG6/317
5CZ/1092268	80/10/0292	Receptacle	8	—	C	GG6/318
	80/10/2223	Spacer	19	—		GG6/319
	—	Switch, push button	1	—		GG6/320
	N.S.F.					
5CW/4400506	8834/B109	Switch, tumbler	2	—	C	GG6/321
5CW/8562	8372/B4	Switch (Mod. 1078)	7	—	C	GG6/322
5CW/4400082	8375/B104	Switch, double pole	6	—	B	GG6/323
	1S3555	PANEL, C.R.T., GROUP (Mod. 2304, Parts "B & C")	1	—		GG6B/527
	7S3555	Spares for:— PANEL, GROUP	1	—		GG6B/528
	3164-32/A2	Unit, control, type 17172	1	—		GG6B/529
	3164-29/A1	Unit, indicator, type 17171	1	—		GG6B/530
	1T8076	Plate, mounting (Mod. 2300)	1	—		
	1T7786	Plate, blanking, 20G x 1-1/2" x 6"	1	—		GG6/330
6D/2383	—	Regulator, oxygen (Pre-Mod. 748)	1	—	A	
		(Mod. 1378)				
10L/16204	—	Unit, control, type 4819 (Pre-Mod. 2300) ..	1	—	A	GG6/324
10L/9514615	—	Unit, antenna control (Mod. 2300)	1	—	A	

EQUIPMENT AIRCRAFT
INSTRUMENT PANELS

Ref. No.	Part No.	Description	No. off	Matl. Spec.	Cl. of	Plate and Illust'n No.
					St. M.R.	
		1 2 3 4				
		PANEL, NAVIGATOR'S, PORT (1T7784) 1T7785, 1T8074, 1T8075, 1S3710, 1S3711) (Cont'd)				
10L/293	—	Unit, control, type 216 (Pre Mod. 2300) . . .	1	—	A	GG6/325
10L/16857	—	Unit, transmitter receiver (Mod. 2300) . . . (Mod. 2304)	1	—	A	GG6B/531
5905-99- 951-4613	—	Unit, matrix (Mod. 2300) (Mod. 2304)	1	—		GG6B/532
10L/16349	—	Unit, control, type 9456 (Mod. 2304)	1	—	A	GG6/326 GG6B/533
5340-99- 946-7416	—	Unit, control, type 13436	1	—	A	GG6/331
10L/16346	—	Unit, control, type 9422 (Mod. 2304)	1	—	A	GG6/327 GG6B/534
10J/214	—	Unit, control, type 9562	1	—	A	GG6/328
5895-99- 956-3379	—	Unit, control, type 16929	1	—	A	GG6/329
10L/9514615	—	Unit, control, external (Mod. 2304)	1	—		GG6B/535
	1T7783	PANEL, NAVIGATOR'S INTERCOMM., GROUP (Mod. 2155)	1	—		GG6/332
	1T8408	PANEL, NAVIGATOR'S INTERCOMM., GROUP (Mod. 2304, Part B)	1	—		
	WHITELEY 5355Z112990 PAGE A260	Knob, control for dimmer switch	2	—	B	GG6/333
	2T7783	Lamp	1	—		GG6/334
	2T7783	PANEL, LESS EQUIPMENT, GROUP Spares for:—	1	—		GG6/334
	289SS6065	Label, "I.F.F. Fail"	1	L59		
	283SS6005	Label, monitor, alarm	1	L59		
	384SS6005	Label, dimmer	1	L59		
	385SS6005	Label, normal emerg. off	1	L59		
	386SS6005	Label, exit. i/c	1	L59		
	7SS6006	Label, H.F. supply—H.F. output	1	L59		
	8SS6006	Label, airborne warning (Pre-Mod. 2304)	1	L59		
	2T8408	Label (Mod. 2304)	1	L59		
	2SS4624	Plate, fixing, I.F.F.—H.F. supply	6	—		GG6/335
	2SS4625	Plate, fixing, H.F. supply	6	—		GG6/336
	5SS4624	Plate, fixing, H.F. output	1	—		GG6/337
	5SS4625	Plate, fixing, H.F. output	1	—		GG6/338
	7SS4491	Plate, fixing, intercomm.	1	—		GG6/339
	ROTAX N135531	Plate, fixing, intercomm.	1	—	C	GG6/340
5CW/4405757	N136937	Plate, fixing, I.F.F. supply	4	—	C	GG6/341
5CW/4405164	3T7783	Plate, mounting	1	—		GG6/341A
	2T8146	Plate, blanking (Mod. 2304, Part B)	1	—		
	3T8146	Plate, blanking (Mod. 2304, Part B)	1	—		
	THORN 01-0023	Switch, miniature dimmer	2	—	B	GG6/342
	ROTAX N135530	Shroud, intercomm.	2	—	B	GG6/343
5CW/4405756	N136930	Shroud	10	—	B	GG6/344
5CW/4405758	—	Switch, airborne warning	2	—	B	GG6/345
5CW/6209279	—	Switch	7	—	B	GG6/346
5CW/6209280	—	Switch	1	—	B	GG6/347
5CW/1047696	—	Switch	1	—	B	GG6/348
5CW/1047692	—	Switch	1	—	B	GG6/348

VULCAN Mk. 2

EQUIPMENT AIRCRAFT
INSTRUMENT PANELS

Page GG. 22A

Ref. No.	Part No.	Description	No. off	Matl. Spec.	Cl. of St.	Plate and Illust'n No.
					M.R.	
		1 2 3 4				
		PANEL, NAVIGATOR'S, PORT, GROUP Z11476 (Mod. 2024) (FOR A/C FITTED WITH X BAND AERIALS)				
	1S3300	Spares for:— PANEL, C/W INSTRUMENTS, GROUP ... (Mod. 2155) (Pre-Mod. 2300)	1	—		GG6A/502
	1S3428	PANEL, C/W INSTRUMENTS, GROUP ... (Mod. 2300) (Pre-Mod. 2304, Part "A")	1	—		GG6C/536
	1S3709	PANEL, C/W INSTRUMENTS, GROUP ... (Mod. 2304, Part "A")	1	—		
	1S3301	Spares for:— PANEL, MOUNTING, GROUP (Mod. 2155) (Pre-Mod. 2300)	1	—		GG6A/503
	1S3429	PANEL, MOUNTING, GROUP (Mod. 2300) (Mod. 2304, Part "A")	1	—		GG6C/537
	1S3555	PANEL, C.R.J., GROUP (Mod. 2304, Part "A")	1	—		GG6C/538
	7S3555	Spares for:— PANEL, GROUP Unit, control, type 17172	1 1	— —		GG6C/539 GG6C/540
3164-32/A2	—	Unit, control, type 17171	1	—		GG6C/541
3164-29/A1	—					
5895-99- 956-3379	—	Unit, I.F.F. control (Mod. 2155)	1	—		GG6A/504
10L/16349	—	Unit, control, type 9456 (Mod. 2155) ...	1	—		GG6A/505
10L/16346	—	Unit, control, type 13044 (Mod.) .. (Mod. 2304, Part "A")	1	—		GG6A/506 GG6C/542
10L/9465125	—	Unit, control, type 13044 (Mod.) .. (Mod. 2304, Part "A")	1	—		GG6A/507 GG6C/543
10L/293	—	Unit, control (Pre-Mod. 2300)	1	—		GG6A/508
10L/16857	—	Unit, control, trans./receiver, type M53 (Pre-Mod. 2300)	1	—		GG6A/509
10L/16204	—	Unit, control (Pre Mod. 2300)	1	—		GG6C/544 GG6A/510
10L/9514615	—	Unit, control, antenna (Mod. 2300) (Mod. 2304, Part "A")	1	—		GG6A/511 GG6C/545
5905-99- 951-4613	—	Unit, matrix (Mod. 2300)	1	—		GG6A/512 GG6C/546
	1ZR678	PANEL, C/W INSTRUMENTS, I.F.F. AND BLUE DIVER CONTROL UNITS, GROUP (Mod. 2304, Part "A")	1	—		GG6C/547
	7Z12678	Spares for:— PANEL, LESS EQUIPMENT, GROUP ..	1	—		GG6C/548
	4Z12678	Plate, mounting	1	—		
	5Z12678	Plate, mounting	1	—		
5L/9959187	—	Lamp	1	—		GG6C/549
	C1101/C7	Switch	1	—		GG6C/550
5095-99- 956-3379	—	Unit, I.F.F. control	—	—		GG6C/551
10L/16349	—	Unit, control, type 9422	1	—		GG6C/552

EQUIPMENT AIRCRAFT
INSTRUMENT PANELS

Ref. No.	Part No.	Description	No. off	Matl. Spec.	Cl. of	Plate and Illust'n No.
					St. M.R.	
		1 2 3 4				
		PANEL, NAVIGATOR'S, PORT, GROUP Z11476 (Mod. 2024) (Cont'd)				
	1Z12682	PANEL, I.F.F., C/W INSTRUMENTS, GROUP (Mod. 2304, Part "B")	1	—		GG6C/553
	6Z12682	Spares for:— PANEL, WITHOUT EQUIPMENT, GROUP	1	—		GG6C/554
5L/9959182	—	Lamp	1	—		GG6C/555
—	C1101/C7	Switch, P.B.	1	—		GG6C/556
5095-99- 956-3379	—	Unit, I.F.F. control	1	—		GG6C/557
	1Z12681	PANEL, I.F.F., C/W INSTRUMENTS, GROUP (Mod. 2304, Part "C") (Mod. 2396)	1	—		GG6C/558
	4Z12681	Spares for:— PANEL, WITHOUT EQUIPMENT, GROUP	1	—		GG6C/559
5CX/5800613	02/0094/Green	Cap, green (Mod. 2396)	1	—	C	GG6C/559A
5L/9959118	—	Filament (Mod. 2396)	1	—	C	
5L/9959182	—	Filament (Alternative)	2	—	C	GG6C/560
5CW/9999433	80/10/0695A	Holder, lamp (Mod. 2396)	1	—	C	GG6C/560A
5CX/5569	80/10/0300	Shroud (Mod. 2396)	1	—	C	GG6C/560B
—	C1101/C7	Switch, P.B.	1	—		GG6C/561
5095-99- 956-3379	—	Unit, I.F.F. control	1	—		GG6C/562
		PANEL, SWITCH, 101P AT NAVIGATOR'S STATION, GROUP (1S332)				
	1V12451	Spares for:— LOOM, CABLE, GROUP	1	—		
	2S3321	PANEL, LESS WIRING, GROUP	1	—		GG6A/513
	THORN	Spares for:—				
5CX/5800613	02/0094/Green	Cap, green (Mod. 2396)	1	—	C	GG6A/513A
5L/9959118	—	Filament (Mod. 2396)	1	—	C	
5L/9959182	—	Filament (Alternative) (Mod. 2396)	1	—	C	
5CW/9999433	80/10/0695A	Holder, lamp (Mod. 2396)	1	—	C	GG6A/513B
	3S3321	PANEL, GROUP	1	—		GG6A/514
	7S2633	Spares for:— BRACKET, GROUP	1	—		GG6A/515
	56SS6039	Label	1	—		
	319SS6055	Label	1	—		
	4S3321	PANEL, GROUP	1	—		GG6A/516
		Spares for:—				
28FP/9434094	PC3-1/2	Cup, dzus	4	—		
28FP/9434095	PS3-1/2	Spring, dzus	4	—		
28FP/9434096	PF3-1/2/38	Stud, dzus	4	—		

VULCAN Mk. 2

EQUIPMENT AIRCRAFT
INSTRUMENT PANELS

Page GG. 23

Ref. No.	Part No.	Description	No. off	Matl. Spec.	Cl. of St.	Plate and Illust'n No.
					M.R.	
		1 2 3 4				
		PANEL SWITCH, 101P AT NAVIGATOR'S STATION, GROUP (1S3321) (Mod. 2556) (Cont'd.)				
	5S2750	PLATE, BACK, GROUP	1	—		GG6A/517
	PAGE	Switch	1	—		GG6A/518
	C180/C/8	Plate, fixing	1	—		GG6A/519
	2SS4624	Plate, fixing	1	—		GG6A/520
5CW/4405759	ROTAX	Shroud	1	—		GG6A/521
5CW/4405758	N136931	Shroud (Mod. 2396)	1	—		GG6A/521A
	N136930	Switch	1	—		GG6A/522
5CX/5569	THORN					
5CW/6209280	80/10/0300					
	—					
	1S2655	PANEL, SWITCH, AT NAVIGATOR'S STATION, GROUP (Mod. 2188)	1	—		GG7/349
	4S2655	Spares for:— PANEL, LESS EQUIPMENT, GROUP	1	—		GG7/350
		(Mod. 2188)				
	C550/C8	Spares for:— Indicator, T.F.R.	1	—		GG7/351
	75SS6005	Label, green satin	1	L59		
	126SS6005	Label, roof lights, starboard	1	L59		
	233SS6065	Label, T.F.R. "Add. Fail"	1	—		
	234SS6065	Label, T.F.R. "Redundant Circuit"	1	—		
	692SS6005	Label, comp. selector	1	—		
	2SS4624	Plate, fixing, comp. selector green satin- roof lights switches (Make from Rotax N136931)	5	—		GG7/352
5CW/4405759	ROTAX	Plate, fixing, comp. selector, green satin- roof light switches	5	—	C	GG7/353
	N136931	Plate, blanking (Mod. 2188)	1	—		
5CW/4405758	5S2655	Shroud, at comp. selector green satin- roof lights switches	1	—	C	GG7/354
	ROTAX	Shroud (Mod. 1218)	1	—	C	GG7/355
5CW/5060	—	Switch, comp. selector green satin-roof lights switches	4	—	B	GG7/356
5CW/6209280	—	Switch, recorder (Mod. 1218)	1	—	B	GG7/357
5CW/5056	—	Switch, push (Mod. 1218)	1	—	B	GG7/358
	PAGE	Switch (Mod. 2188)	1	—		GG7/359
	C180/C8					
	1S2313	PANEL, NAVIGATOR'S RADAR, GROUP (Pre-Mod. 748)	1	—		
	1S2411	PANEL, NAVIGATOR'S RADAR, GROUP (Mod. 748)	1	—		GG7/360
		Spares for:—				
5X/4491769	1V7870	Block, earthing (Mod. 748)	1	—	C	GG7/361
5X/6200370	1V5650	Block, terminal (Mod. 1219)	1	—	C	GG7/362

EQUIPMENT—AIRCRAFT
INSTRUMENT PANELS

Ref. No.	Part No.	Description	No. off	Mati. Spec.	Cl. of St.	Plate and Illust'n No.
					M.R.	
		1 2 3 4				
PANEL, NAVIGATOR'S RADAR (S2411, Mod. 748) (Continued)						
5L/9951273	5S2313	Fairlead, half, at air supply	2	BA2966		
	—	Filament, warning lamp	2	—	C	
6A/4337771	SANGAMO WESTON S63/5/802	Gauge, bomb bay temperature	1	—	A	GG7/363
6A/4339081	SANGAMO WESTON S63/4/1146	Gauge, temperature (Mod. 1078)	2	—		GG7/364
6A/4339082	SANGAMO WESTON S63/4/1147	Gauge, temperature (Mod. 1078)	1	—		GG7/365
6A/4338521	KELVIN HUGHES KPA/0102/C	Gauge, differential pressure, luminous ...	1	—	A	GG7/366
6A/4337774	KELVIN HUGHES KPD/0103/C	Gauge, absolute pressure, luminous	1	—	A	GG7/367
	5SS4204	Grommet (Mod. 1219)	4	—	MR	
	15SS4204	Grommet	5	—		
	25SS4204	Grommet (Mod. 748)	1	—		
5CW/4222	—	Guard, switch	2	—	B	
6B/1054118	—	Holder, compass deviation card	1	—	P	GG7/368
6B/4343585	—	Indicator, air mileage (Mk. 1)	1	—	A	GG7/369
5CZ/4340381	—	Indicator, dolls eye (Mod. 715)	2	—	B	GG7/370
5CZ/4340430	—	Indicator, oxygen (Mod. 748)	2	—	B	GG7/371
9D/4414905	—	Indicator, Pilots Direction	1	—		GG7/371A
		(Mod. 2439 Part A and B)				
	263SS6002	Label, inc-off-dec	1	L59		
	806SS6004	Label, chartboard light	1	L59		
	807SS6004	Label, manual heat control	1	L59		
	808SS6004	Label, bomb bay heating	1	L59		
	585SS6005	Label, master switch (Mod. 748)	1	L59		
	583SS6005	Label, oxygen (Mod. 748)	1	L59		
	579SS6005	Label, bomb bay temp.	1	L59		
	630SS6005	Label, bomb bay selector	1	L59		
	699SS6005	Label, supplies (Mod. 715)	1	L59		
	700SS6005	Label, N.B.C. (Mod. 715)	1	L59		
	701SS6005	Label, H.25 (Mod. 715)	1	L59		
	703SS6005	Label, loss of cabin pressure (Mod. 748) .	1	L59		
	717SS6005	Label, store heating control	1	L59		
	436SS6006	Label, store exchange outlet	2	L59		
	437SS6006	Label, store engine bay (Mod. 1219)	1	L59		
	438SS6006	Label, panel lights (Mod. 1219)	1	L59		
	439SS6006	Label, store bay (Mod. 1219)	1	L59		
	1612V7728	Label, terminal block (Mod. 1219)	1	—		
	1620V7728	Label, terminal block (Mod. 1219)	1	—		
	902SS/6033	Label (Mod. 1978)	1	—		
5L/9959118	—	Lamp, atlas (Mod. 748)	12	—	C	GG7/372
5CX/1085815	—	Lamp, warning	2	—	B	GG7/373
5CX/4330338	—	Lampholder (Mod. 1219)	5	—	B	GG7/374

VULCAN Mk. 2

EQUIPMENT—AIRCRAFT

Page GG. 25

INSTRUMENT PANELS

Ref. No.	Part No.	Description	No. off	Matl. Spec.	Cl. of St.	Plate and Illust'n No.
					M.R.	
		1 2 3 4				
		PANEL, NAVIGATOR'S RADAR (S2411, Mod. 748) (Continued)				
	1S2365	Lampholder (Pre-Mod. 748)	1	—		
5CX/1143214	—	Lampholder (Mod. 748)	1	—	B	GG7/375
10AJ/138	—	Mounting, anti-vibration	2	—	B	
10AJ/143	—	Mounting, anti-vibration	2	—	B	
10AJ/220	—	Mounting, type 1038	1	—	B	
10AJ/221	—	Mounting, type 1040	1	—	B	
5CW/4408107	—	Switch (Mod. 1978)	1	—		
	2S2313	PANEL, LESS EQUIPMENT, GROUP	1	—		
	3S2411	PANEL, LESS EQUIPMENT, GROUP	1	—		
		Spares for:—				
28FP/	FJ3/50	Fastener, Dzus	4	—	C	
4062382						
28FP/	GA3/175	Grommet, Dzus (Pre-Mod. 748)	4	—	C	
9434075						
28FP/	GH/4	Grommet, Dzus (Mod. 748)	4	—	C	
9489246						
	804SS6004	Label, scanner emer. off	1	L59		
	805SS6004	Label, scan. rot	1	L59		
	681SS6005	Label, N.B.S. air supply	1	L59		
	738SS6002	Label, H25, pressurisation air	1	L59		
	2S2411	Panel (Mod. 748)	1	—		
9868	19S1970	PANEL, AUXILIARY, GROUP	1	—	B	GG7/376
		Spares for:—				
	SP40/D4	GROMMET	4	—		
6B/471	—	Panel, A.M. control (Pre-Mod. 863)	1	—	A	
6B/6341559	—	Panel, T.A.U. control (Mod. 863)	1	—	A	GG7/377
	1SS4491	Plate, fixing, on (Mod. 748)	1	—		
	2SS4624	Plate, fixing, on	3	—		
	2SS4625	Plate, fixing, off	3	—		
	ROTAX					
5CW/4405757	N135531	Plate, fixing	3	—	C	
	ROTAX					
5CW/4405759	N136931	Plate, fixing	3	—	C	
	TEDDINGTON					
5CZ/4335587	FHK/A/17	Selector, temperature	1	—	A	GG7/378
	TEDDINGTON					
5CZ/4337642	FHK/A/45	Selector, temperature (Mod. 748)	1	—	A	GG7/379
	TEDDINGTON					
5CZ/4337643	FHK/A/46	Selector, temperature (Mod. 748)	1	—	—	GG7/380
	32S1970	Screen, red (Pre-Mod. 748)	1	Cellastoid		
	ROTAX					
5CW/4405756	N135530	Shroud	2	—	C	
	ROTAX					
5CW/4405758	N136930	Shroud	4	—	C	
	1SS4881	Shroud	3	—		
5X/4491487	14V5650	Socket, double (Mod. 1219)	1	—	C	GG7/381
5X/4491488	15V5650	Socket, single (Mod. 1219)	2	—	C	GG7/382
	—	Suppressor, type F2	1	—		GG7/383
5CW/4402906	—	Switch	1	—	A	GG7/384
5CW/4407828	—	Switch, single pole	1	—	B	GG7/385

VULCAN ML. 2

Page GG, 26

EQUIPMENT—AIRCRAFT

INSTRUMENT PANELS

Ref. No.	Part No.	Description	No. off	Matl. Spec.	Cl. of St.	Plate and Illust'n No.
					M.R.	
		1 2 3 4				
		PANEL, NAVIGATOR'S PANEL (S2313, Pre-Mod. 748) (S2411, Mod. 748) (Continued)				
5CW/1047695	—	Switch	1	—	B	GG7/385A
5CW/6209279	—	Switch	2	—	B	GG7/386
5CW/1047697	—	Switch, double pole (Mod. 748)	1	—	B	GG7/387
5CW/6209280	—	Switch	1	—	B	GG7/388
5CW/1047696	—	Switch, double pole	1	—	B	GG7/389
5CW/724	—	Switch, dimmer (Pre-Mod. 1219)	1	—	B	
5CW/4405521	—	Switch, dimmer (Mod. 1219)	1	—	B	GG7/390
5CW/4405520	—	Switch, dimmer	1	—	B	GG7/391
	14S1970	Washer, tufnol	4	BS972	MR	
	18S1970	Washer, spacing	4	BS972	MR	
		PANEL, FIXED, TOP PORTION, IN CREW'S NACELLE, NAVIGATOR'S STATION, 9P (V6581)	—	—	—	GG9/392
	2V6581	Spares for:— PANEL, GROUP	1	—		
	2SS4213	Spares for:— Screw, captive	10	S1	MR	
	1SS4213	Washer, locking	10	S94	MR	
	12V6582	PANEL, HINGED PORTION, TOP, GROUP (Mod. 2132)	1	—	—	GG9/393
		Spares for:— Guard, locking	1	—	B	GG9/394
5CW/4222	—					
1432811	11V6582	PANEL, HINGE, LESS EQUIPMENT GROUP	1	—	B	GG9/395
		Spares for:— Fastener, Dzus	2	—	C	
28FP/192	AJ4/35	Grommet, Dzus	2	—	C	
28FP/ 9430915	GA4/250					
	10bV6582	Hinge, (Made from AS1878/55)	1	—		
	756SS6002	Label, fusing	1	L59		
	341SS6039	Label, EM, nose and tail	1	L59		
	3V6582	Label, live jettison	1	L59		
	10cV6582	Plate, blanking	1	—	—	GG9/396
5CW/6209280	—	Switch	1	—	B	GG9/397
	5V6582	SWITCH, GROUP	1	—	—	GG9/398
		Consisting of:— Label, on	1	L59		
5CW/1047692	752SS6000	Switch	1	—	B	
		Switch, selector and indicator, type 11 ...	1	—	A	GG9/399
5D/4341051	—	Unit, bomb spacing, type 11	1	—	A	GG9/400
5D/4341047	—	Washer, spring	6	—	C	
28W/1097257	1906/1					
	7V6517	LOOM, CABLE, GROUP	1	—		

VULCAN Mk. 2

EQUIPMENT – AIRCRAFT
INSTRUMENT PANELS

Page GG. 27

Ref. No.	Part No.	Description	No. off	Matl. Spec.	Cl. of St.	Plate and Illust'n No.
					M.R.	
		1 2 3 4				
	1V8035	PANEL, SECONDARY SUPPLY SWITCH, ... 50P, CREW'S NACELLE, GROUP	1	—		GG9/401
	1V15475	Spares for:— LOOM, CABLE, GROUP (Mod. 2195)	1	—		
	4V8035	PANEL, LESS WIRING, GROUP Spares for:—	1	—		
5Q/6345930	PAGE ENG. B3300-0024	Ammeter (Mod. 2195)	2	—	A	GG9/402
	65-99-020	Clamp, fixing (Mod. 2195)	2	—		
5CW/4222	7V8035	Guard, locking (Mod. 1424)	1	—	MR	GG9/403
	—	Guard, locking (Mod. 1424)	2	—	C	GG9/404
5CZ/6213358	DOWTY C5165Y/Mk. 3	Indicator	1	—	C	GG9/405
5CZ/4335672	C5175Y/Mk. 7	Indicator	2	—	C	GG9/406
5CZ/4329961	C5175Y/Mk. 179	Indicator (Mod. 1271)	2	—	C	GG9/407
	1SS4491	Label, fixing plate, on (Made from Rotax N135531)	2	—		
	6SS4491	Label, fixing plate, couple (Made from . . Rotax N135531)	2	—		
	2SS4624	Label, fixing plate, on	5	—		
	2SS4625	Label, fixing plate, off	1	—		
	11SS4625	Label, fixing plate, reset (Made from Rotax N136931)	2	—		
	2V8035	PANEL, GROUP	1	—	—	GG9/408
28FP/ 9156562	A15/40	Spares for:— Fastener, Dzus	4	—	C	
28FP/ 1200136	GA5/375	Grommet, Dzus	4	—	C	
	9V8035	Label (Mod. 2195)	1	—		
5CW/4405759	ROTAX N136931	Plate, fixing	5	—	C	
5CW/4405758	ROTAX N136930	Shroud	5	—	C	
5CW/4405756	ROTAX N135530	Shroud	2	—	C	
5CW/4407828	—	Switch, single pole	1	—	C	GG9/409
5CW/6209280	—	Switch, single pole	2	—	C	GG9/410
5CW/1047691	—	Switch, single pole	2	—	C	GG9/411
5CW/4405367	ROTAX D5511	Switch, double pole (Mod. 1428)	2	—	A	GG9/412
5Q/4347724	—	Voltmeter	1	—	A	GG9/413
	1Z9901	PANEL, BOMB AIMER'S I/C, OXYGEN AND SWITCHING 9P, GROUP (Mod. 446)	1	—	—	GG9/414
5X/6200730	1V5650	Spares for:— Block, terminal	1	—	C	GG9/415
5CZ/1053794	—	Block, terminal (Pre-Mod. 446)	1	—	MR	
	33SS5302	Bush, ring lock (Mod. 1439)	1	—		
	4Z7720	Cable, 6 amp, unipren x 7" long	1	—		
	5Z7720	Cable, 6 amp, unipren x 9" long	1	—		

EQUIPMENT—AIRCRAFT

INSTRUMENT PANELS

Ref. No.	Part No.	Description	No. off	Mati. Spec.	Cl. of St.	Plate and Illust'n No.
					M.R.	
		1 2 3 4				
		PANEL, BOMB AIMER'S I/C OXYGEN AND SWITCHING, 8P (Z9901, Mod. 446) (Continued)				
	2498V7909	CABLE (F2498), GROUP	1	—		
5CW/4222	—	Guard locking	1	—	C	GG9/416
	10Z7720	Holder, button switch (Mod. 1439)	1	—	MR	GG9/417
	810V6374	Label, TB.810	1	L59		
5CW/1055544	—	Label, on	1	—	C	
5CW/1055545	—	Label, off	1	—	C	
	SAUNDERS ROE and NUCLEAR ENTP' LTD. 036-A	Marker, Bacalite (Mod. 2154)	1	—	MR	GG9/418
	2Z9901	PANEL, GROUP (Mod. 446)	1	—	—	GG9/419
		Spares for:—				
21626	270SS6002	Label, normal-off-emergency	1	L59	C	
21627	693SS6005	Label, B.A. light (Mod. 446)	1	—	C	
21628	722SS6030	Label, bomb firing switch (Mod. 1439) .	1	—	C	
	3V6582	Label, live jettison	1	L59	C	
	219SS4000	Label, de-icing	1	L59		
	ROTAX N135531/1	Plate, fixing	2	—	C	
5CW/4405757	ROTAX N136931	Plate, fixing	4	—	C	GG9/420
5CW/4405759	17SS4624	Plate, fixing (Made from Rotax N136931) .	1	—		
	2SS4624	Plate, fixing, ON (Mod. 446)	1	—		
	2SS4625	Plate, fixing OFF (Mod. 446)	1	—		
6D/2383	—	Regulator, oxygen (Mk. 21B) (Mod. 1378)	1	—	A	GG9/421
	ROTAX N135530	Shroud, rubber, D/P	1	—	C	
5CW/4405756	ROTAX N136930	Shroud, rubber, S/P	3	—	C	GG9/422
5CW/4405758	15V5650	Socket, single	2	—		
5X/4491488	2Z9933	Strip, luminous (Pre-Mod. 2154)	1	—		
5CW/1047696	—	Switch, changeover (Mod. 446)	1	—	C	GG9/423
5CW/6209279	—	Switch, S/P (Mod. 446)	1	—	C	GG9/424
5CW/1047692	—	Switch, S/P (Mod. 687)	1	—	C	GG9/425
21629	2V11879	Unit, wander button (Mod. 1439)	1	—	C	GG9/426
	B. & C.					
28W/9419448	1206	Washer, shakeproof	10	—	C	

VULCAN Mk. 2

EQUIPMENT—AIRCRAFT

Page GG. 29

INSTRUMENT PANELS

Ref. No.	Part No.	Description	No. off	Matl. Spec.	Cl. of St.	Plate and Illust'n No.
					M.R.	
		1 2 3 4				
	1V10230	PANEL, A.A.P.P. IN CREW'S NACELLE 70P, GROUP (Mod. 916)	1	—	—	GG9/427
	1V11379	Spares for:— LOOM, CABLE, GROUP (Mod. 1271)	1	—		
	1V11797	(Pre-Mod. 1505) LOOM, CABLE, GROUP (Mod. 1505)	1	—		
	3V10230	PANEL, LESS WIRING, GROUP	1	—		
	4V10230	Spares for:— Guard, at firing switch	1	—	—	GG9/428
5CZ/4335788	DOWTY C5175Y/Mk. 30	Indicator, fuel level	1	—	B	GG9/429
	SANGAMO WESTON					
6A/4364327	S63/4/465	Indicator, oil pressure (Mod. 919)	1	—	A	GG9/430
	S78/3/478	Indicator, 0-800° C with flange	1	—		GG9/431
	S218/5/70	(Pre-Mod. 2254) Indicator (Mod. 2254)	1	—		
	8SS4624	Label, fixing plate	1	—		
	9SS4625	Label, fixing plate	2	—		
	10SS4625	Label, fixing plate	1	—		
	5V10230	Packing, at start switch	1	BS2966		
1510342	2V10230	PANEL, GROUP (Pre-Mod. 2254)	1	—	C	GG9/432
	6V10230	PANEL, GROUP (Mod. 2254)	1	—		
		Spares for:—				
28FP/ 9425770	AJ5/35	Fastener, Dzus, top	2	—	C	
28FP/ 9156562	AJ5/40	Fastener, Dzus, bottom	2	—	C	
28FP/ 9425771	GA5/312	Grommet, Dzus	4	—	C	
	1SS6005	Label, fuel level	1	L59		
	2SS6005	Label, L.P. cock-override—IGN. ISOL.	1	L59		
	3SS6005	Label, fire	1	L59		
	4SS6005	Label, A.A.P.P.	1	L59		
	868SS6005	Label, fire test-oxygen and relight- master switch	1	L59		
	870SS6005	Label, start	1	L59		
5CW/4405759	ROTAX N136931	Plate, fixing, H.P. cock override—Ign. .. Isol.	2	—	C	GG9/433
	2SS4624	Plate, fixing-oxygen relight and	3	—		
	2SS4625	master switches Plate, fixing-oxygen relight and	3	—		
	ROTAX	master switches				
5CW/4405758	N136930	Shroud	6	—	C	GG9/434
5CW/5060	—	Shroud, fire test switch	1	—	C	
1433606	2aSK31289	Strap, at master switch	2	—	C	GG9/435
5CW/9438526	—	Switch, push, fire test	1	—	B	GG9/436
5CW/6209279	—	Switch, S/P, L.P. cock and master	3	—	B	GG9/437
		switches				
5CW/6209280	—	Switch, oxygen and relight	1	—	B	GG9/438
5CW/1047695	—	Switch, H.P. cock and ign. isol.	2	—	B	GG9/439
5CW/1103511	PAGE ENG. C180/A/3 B.T.H. XJ/F/G/1	Switch, press button, fire	1	—	B	GG9/440
		Switch, magnetically held push	1	—		GG9/441

EQUIPMENT—AIRCRAFT
INSTRUMENT PANELS

Ref. No.	Part No.	Description	No. off	Matl. Spec.	Cl. of St.	Plate and Illust'n No.
					M.R.	
		1 2 3 4				
		PANEL, 200V AUXILIARY FUSE 69P (1V8786) (See Electrical Installation, Crews' Nacelle)				
		PANEL, E.C.M. POWER SUPPLIES AND EXPLOSION SUPPRESSION (1T4758) (See Electrical Installation, Crews' Nacelle)				
8823	1V9365	PANEL, BOMBING, HINGED PORTION NAVS STATION, CREWS' NACELLE, 9P, GROUP	1	—	A	GG8/442
	1V11887	Spares for:— LOOM, CABLE GROUP (Mod. 1439)	1	—		
	3V8965	PANEL, LESS WIRING, GROUP	1	—		
	33SS5302	Spares for:— Bush, ring, lock (Mod. 1439)	1	—	MR	
10H/0970055	—	Cap, protective	1	—	C	
5L/9951273	—	Filament	2	—	C	
5CW/1039506	—	Guard, switch (Mod. 1621)	1	—	C	GG8/443
	10Z7720	Holder, button switch (Mod. 1439)	1	—	MR	GG8/444
	802SS6004	Label, normal	1	DTD213		
	803SS6004	Label, isolate	1	DTD213		
5CX/4330033	—	Lamp, warning, type B, green	1	—	C	GG8/445
5CX/1085815	—	Lamp, warning, type B, red	1	—	C	GG8/446
	4V8965	Packing (Mod. 1631)	1	L72		
8990	2V8965	PANEL, GROUP	1	—	B	GG8/447
	2bV8965	Spares for:— Hinge (Made from AS1878/80)	1	L72		
	95SS6005	Label, N.B.C. bomb gear isol.	1	L59		
	96SS6005	Label, bomb doors—bomb release ...	1	L59		
	97SS6005	Label, N.B.C. simulator	1	L59		
	693SS6005	Label, B.A. light	1	L59		
	920SS6001	Label, bomb firing switch	1	L59		
	540SS6065	Label (Mod. 2299)	1	—		
	553SS6065	Label (Mod. 2299)	1	—		
	2SS4213	Screw, captive	2	—	MR	
	1SS4213	Washer, locking	2	—	MR	
5CW/6209279	—	Switch, at B.A. light	1	—		GG8/448
5CW/5824	—	Switch, at bomb release	1	—	B	GG8/449
5CW/6209280	—	Switch, at bomb doors	1	—	B	GG8/450

VULCAN Mk. 2

EQUIPMENT – AIRCRAFT
INSTRUMENT PANELS

Page GG. 31

Ref. No.	Part No.	Description	No. off	Matl. Spec.	Cl. of St.	Plate and Illust'n No.
					M.R.	
		1 2 3 4				
	1V10229	PANEL, 10P, ALTERNATOR CONTROL SWITCH, NAVS. STATION, PORT, GROUP (Mod. 916)	1	—	—	GG8/451
	1V11368	Spares for:— LOOM, CABLE, GROUP (Mod. 1271) (Pre-Mod 1505)	1	—		
	1V11796	LOOM, CABLE, GROUP (Mod. 1505)	1	—		
	3V10229	PANEL, LESS WIRING, GROUP	1	—		
	4V10229	Spares for:— Bolt, special, 2 BA	2	S94		
5L/9959118	PAGE ENG. A259	Bulb	1	—	C	
	5V8990	COVER, FOR RESISTOR, GROUP (Attachments for cover, 5V8990)	1	—	—	GG8/452
28S/1202768	A33/C16	Bolt	2	—	C	
28FP/9156562	AJ5/40	Fastener, Dzus	2	—	C	
5L/9959118	—	Filament	4	—	C	
28FP/1200136	GA5/375	Grommet	2	—	C	
5CW/1039506	—	Guard	4	—	C	GG8/453
	5V10229	Guard	1	—	—	GG8/454
5CZ/6213358	DOWTY C5165Y/Mk. 3	Indicator, magnetic	6	—	B	GG8/455
	SANGAMO WESTON S104/3/120	Indicator (10 sets only)	4	—		
5Q/25659	—	Indicator (less 10 sets)	4	—	A	GG8/456
	PAGE ENG. A915/C/5 SANGAMO WESTON S109/6/43 S109/6/60	Light, warning	4	—		
5Q/4348349	—	Meter, frequency (Pre-Mod. 753)	2	—		
	—	Meter, frequency (Mod. 753)	2	—	A	GG8/457
	2V10229	PANEL, GROUP	1	—	—	GG8/458
	2bV10229	Spares for:— Hinge (Made from AS1856 or AS1878 x 11.75" long)	1	—		
	865SS6004	Label, at rotary switch	1	L59		
	856SS6005	Label, busbar	1	L59		
	857SS6005	Label, synchronising	1	L59		
	858SS6005	Label, No. 4 busbar	1	L59		
	859SS6005	Label, No. 3 busbar	1	L59		
	860SS6005	Label, No. 2 busbar	1	L59		
	861SS6005	Label, No. 1 busbar	1	L59		
	862SS6005	Label, A.A.P.P. on	1	L59		
	863SS6005	Label, A.A.P.P. test	1	L59		
	864SS6005	Label, R.A.T. test	1	L59		
	865SS6005	Label, extra supplies trip	1	L59		
	866SS6005	Label, incoming alternator	2	L59		
	867SS6005	Label, push, for KVAR	1	L59		
	871SS6005	Label, isolate	4	L59		
	872SS6005	Label, reset	4	L59		
	314SS6030	Label, non essential supplies (Mod. 1271)	1	L59		
	315SS6030	Label, trip-reset (Mod. 1271)	1	L59		

EQUIPMENT – AIRCRAFT
INSTRUMENT PANELS

Ref. No.	Part No.	Description	No. off	Matl. Spec.	Cl. of	Plate and Illust'n No.
					St. M.R.	
		1 2 3 4				
PANEL (2V10229) (Continued)						
13742	1SS4491	Plate, fixing, on	4	—		
	3SS4492	Plate, fixing, off	4	—		
	4V8990	Plate, mounting, for resistor	1	CS51		
5CW/5060	BERCO LW/20	Resistor, 1640 ohms	1	—	—	GG8/459
	—	Shroud, for switches	13	—	C	GG8/460
5CW/4405756	ROTAX N135530	Shroud, for switches	4	—	C	GG8/461
5CW/2007871	—	Switch, push type	5	—	B	GG8/462
5CW/9438526	—	Switch, push type	8	—	B	GG8/463
5CW/4400200	PAGE ENG. C180/A7	Switch, illuminated push button	1	—	B	GG8/464
	5CW/5824	Switch, double pole	4	—	B	GG8/465
	5CW/1047698	Switch (Mod. 1271)	1	—	B	GG8/466
5Q/22519	DOWTY C7644Y/Mk. 2	Switch, rotary	1	—		GG8/467
	ROSS COURTNEY CAT No. 397	Tag, solder	2	—		
	SANGAMO WESTON S78/5/577	Voltmeter	2	—	—	GG8/468
5CW/6287113	1S2684	PANEL, 12P, RADIO SUPPLY, GROUP	1	—	—	GG8/469
	1V11468	(Mod. 1433) Spares for:— LOOM, CABLE, GROUP (Mod. 1433)	1	—		
5CW/6287113	3S2684	PANEL, LESS WIRING, GROUP	1	—		
	—	Spares for:— Indicator, dolls eye	2	—	B	GG8/470
	225SS6006	Label, ON	3	L59		
5CW/6287113	2S2684	PANEL, 12P, GROUP (Mod. 1433)	1	—	—	GG8/471
	568SS6002	Spares for:— Label, N.B.C.	1	L59		
	50SS6005	Label, start	2	L59		
	51SS6005	Label, stop	2	L59		
	52SS6005	Label, No. 1 fail	1	L59		
	53SS6005	Label, No. 2 fail	1	L59		
	54SS6005	Label, H.2S	1	L59		
	56SS6005	Label, frequency C failure	1	L59		
	253SS6006	Label, NBC—DC. Emer.	1	L59		
	323SS6006	Label, Mk. 6A—oscillator tuning	1	L59		
			(Mod. 1433)			

VULCAN Mk. 2

EQUIPMENT—AIRCRAFT
INSTRUMENT PANELS

Ref. No.	Part No.	Description	No. off	Mati. Spec.	Cl. of St.	Plate and Illust'n No.
					M.R.	
		PANEL, 12P (2S2684) & (Continued)				
	396SS6006	Label, G.P.1	1	L59		
	469SS6006	Label, radio altimeter high range (Mod. 1433)	1	L59		
	316SS6030	Label, N.B.S. trans.	1	L59		
	317SS6030	Label, gyro preheat (Mod. 1433)	1	L59		
5CW/4405757	ROTAX N135531	Plate, fixing (Mod. 1433)	3	—	C	GG8/472
5CW/4405759	ROTAX N136931	Plate, fixing	3	—	C	GG8/473
	2SS4624	Plate, fixing (made from Rotax item ... N136931)	1	—		
	1SS4491	Plate, fixing (made from Rotax item ... N135531)	3	—		GG8/474
	1SS4492	Plate, fixing (made from Rotax item ... N135531)	2	—		GG8/475
5CW/5060	—	Shroud	4	—	C	GG8/476
5CW/4405756	ROTAX N135530	Shroud	4	—	C	GG8/477
5CW/4405758	ROTAX N136930	Shroud	2	—	C	GG8/478
5CW/9438526	—	Switch, push, start	2	—	B	GG8/479
5CW/5058	—	Switch, push, stop	2	—	B	GG8/480
5CW/6209280	—	Switch, for G.P.1	1	—	B	GG8/481
5CW/1047694	—	Switch, for F.C. failure	1	—	B	GG8/482
5CW/1047699	—	Switch (Mod. 1433)	1	—	B	GG8/483
5CW/1047696	—	Switch, for NBC & H25	2	—	B	GG8/484
5CW/1047698	—	Switch, for 0 tuning (Mod. 1433)	1	—	B	GG8/485
5CW/6209280	—	Switch	3	—	B	GG8/486
		PANELS, INSTRUMENT IN NOSE WHEEL BAY				
	1V8040	Spares for:— PANEL, T.B., IN NOSE WHEEL BAY, 13P, GROUP	1	—		GG10/487
5X/6200370	1V5650	Spares for:— Block, terminal No. 214	1	—	C	GG10/488
	214V7728	Label, TB.214	1	DTD213		
	22V5650	Link	1	—	MR	
	4V8040	PANEL, 13P, GROUP	1	—		
5X/6200370	1V5650	Spares for:— Block, terminal	6	—	C	GG10/489
	208V7728	Label, TB.208	1	DTD213		
	209V7728	Label, TB.209	1	DTD213		
	210V7728	Label, TB.210	1	DTD213		
	211V7728	Label, TB.211	1	DTD213		
	212V7728	Label, TB.212	1	DTD213		
	213V7728	Label, TB.213	1	DTD213		
5X/4491487	2V6322	PLATE, MOUNTING, GROUP	1	—		GG10/490
5X/4491488	14V5650	Socket, double	6	—	C	GG10/491
	15V5650	Socket, single	19	—	C	GG10/492
5X/4491488	15V5650	Socket, single	1	—	C	
	3V8040	Tube, distance	4	DTD464A		

EQUIPMENT—AIRCRAFT

INSTRUMENT PANELS

Ref. No.	Part No.	Description	No. off	Mati. Spec.	Cl. of St.	Plate and Illust'n No.
					M.R.	
		PANEL, DISTRIBUTION, ASSEMBLY IN NOSE WHEEL BAY, 15P PORT AND 16P STARBOARD (1 & 2V9421) (See Electrical Installation—Nose wheel bay)				
		PANEL, 28V D.C. VITAL SUPPLY 19P, (V8024) (See Electrical Installation—Nose wheel bay)				
		PANEL, JUNCTION BOX 64P (2V8436) (See Electrical Installation—Nose wheel bay)				
		PANELS, JUNCTION BOX 63P & STARTER RELAY, 73P (1V9447) (See Electrical Installation—Nose wheel bay)				
		PANEL, JUNCTION BOX, 7J (V8597) (See Electrical Installation—Nose wheel bay)				
		PANEL, INSTRUMENT, NOSE PORTION, FUSELAGE				
	1V6974	Spares for:— PANEL, 4J, BETWEEN FORMERS 414 & 440, NOSE PORTION, GROUP	1	—		GG10/493
	2V6982	Spares for:— LOOM, CABLE, GROUP	1	—		
	2V6974	PANEL, LESS WIRING, GROUP	1	—		
	4685	Spares for:— Adaptor, reducing	1	S1	C	
5X/6200370	1V5650	Block, terminal	1	—	C	GG10/494
2848	1V6973	BOX, STRUCTURE, GROUP	1	—	B	GG10/495
		Spares for:— Gland, flanged	1	—	C	
5K/4329533	—	Gland, flanged	1	—	C	
5K/2631	—	Spring, Dzus	4	—	C	
28FP/ 1200486	S3/150	Grommet	1	Rubber	C	
26FP/5008	21SS4204	COVER, PANEL, GROUP	1	—	C	GG10/496
2849	3V6974	Spares for:— Fastener, Dzus	4	—	C	
28FP/ 9520205	A3/20	Grommet, Dzus	4	—	C	
28FP/ 9434075	GA3/175	Ferrule	1	—	C	
5K/4329286	—	Gasket, union	1	—	C	
10H/0970111	—	Glandnut	1	—	C	
5K/4329335	—	Label, 783	1	—	C	
	783V6374	Label, 784	1	—	C	
	784V6374	Ring, compression	1	—	C	
10H/0970105	—	Ring, thrust	1	—	C	
10H/0970099	—	Sleeve, cable	1	—	C	
10H/0970115	—	Socket, double	2	—	C	
5X/4491487	14V5650	Socket, single	5	—	C	
5X/4491488	15V5650	Suppressor, type F2	1	—	A	GG10/497
5CY/1025934	—					

VULCAN Mk. 2

EQUIPMENT—AIRCRAFT
INSTRUMENT PANELS

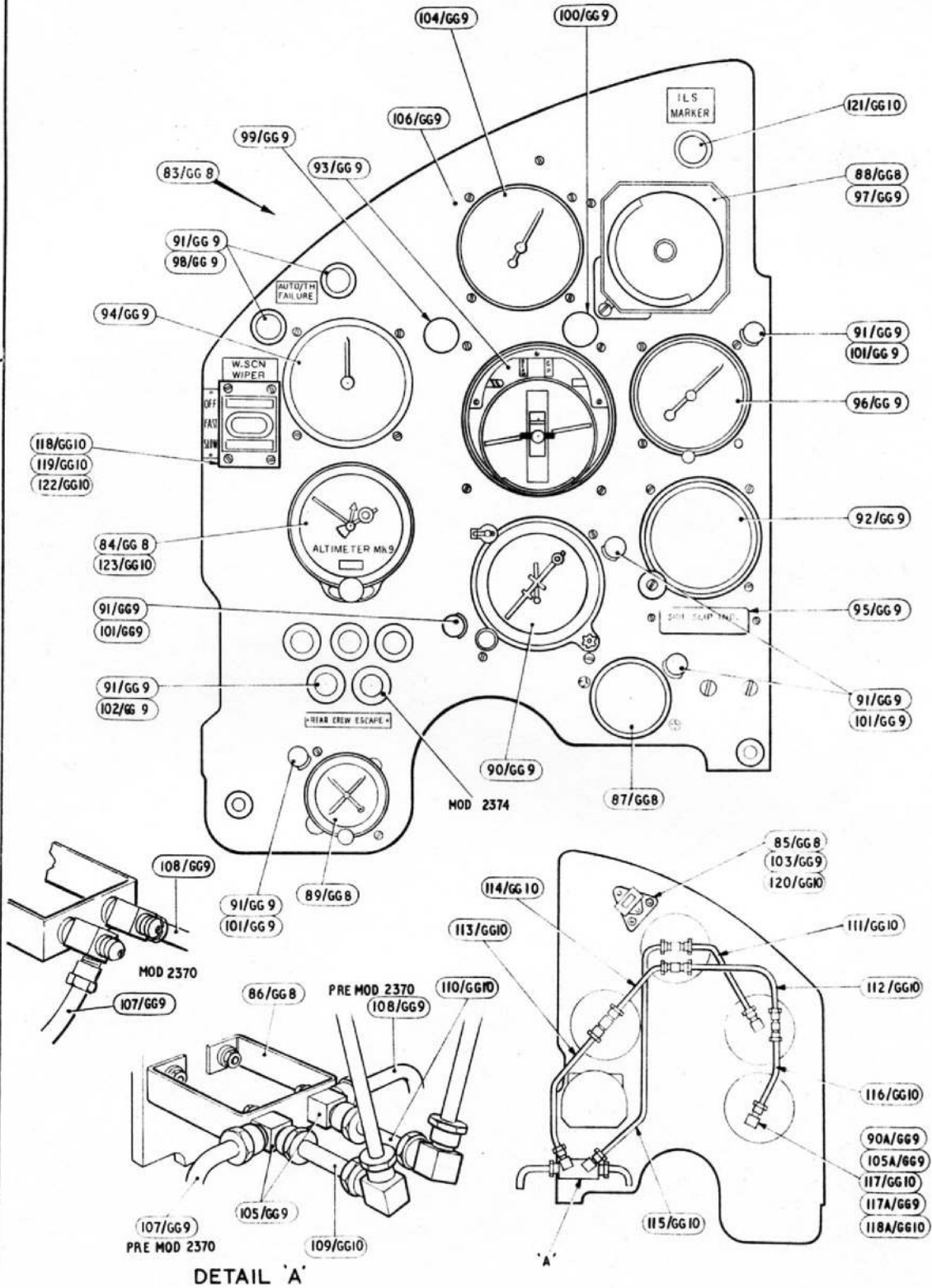
Page GG. 35

Ref. No.	Part No.	Description	No. off	Mati. Spec.	Cl. of St.	Plate and Illust'n No.
					M.R.	
		1 2 3 4				
		PANEL, INSTRUMENT, IN POWER COMPARTMENT Spares for:— PANEL, 26P, REAR SPAR 28V DISTRIBUTING (1V7685) (See Electrical Installation—Power Compartment) PANEL, 29P, A.P.U., G.P.U., FUSE A.C. SYSTEM (1V7704) (See Electrical Installation—Power Compartment) PANELS, P.F.C. CONTACTOR AND FUEL PUMP RELAY, 40P PORT, 41P STARBOARD (1 & 2V7719) (See Electrical Installation—Power Compartment) PANELS, ALTERNATOR POWER & DISTRIBUTION, 58P, 59P, 60P, 61P (1-2-3-4V8032) (See Electrical Installation—Power Compartment) PANEL, 74P, EXTRA SUPPLIES RELAY (1V9181) (See Electrical Installation—Power Compartment) PANEL, JUNCTION BOX, 82P, FWD. FACE OF BULKHEAD 428A (1V9562) Spares for:—				
	1V9554	LOOM, CABLE, GROUP	1	—		
	2V9562	BOX, JUNCTION, 82P, GROUP	1	—		
5X/6200370	1V5650 1526V7728 1527V7728	Spares for:— Block, terminal	2	—	C	GG10/499
		Label, TB.1526	1	DTD213		
		Label, TB.1527	1	DTD213		
	3V9562	LID, ASSEMBLY, GROUP	1	—		
28FP/9144248	A4/25	Spares for:— Fastener, Dzus	4	—	C	
28FP/9430915	GA4/250	Grommet, Dzus	4	—	C	
5X/4491487	14V5650	Socket, double	2	—	C	
5X/4491488	15V5650	Socket, single	6	—	C	
	1V9561	STRUCTURE, BOX, GROUP	1	—		GG10/500
	2V9561	Spares for:— BOX, CHASSIS ASSY., GROUP	1	—		
	61SS4204	Spares for:— Bush, ring lock	1	—	MR	
	272SS6005	Label, 1	1	DTD213		
	273SS6005	Label, 2	1	DTD213		
28FP/9430916	S4/200	Spring, Dzus	4	—	C	
	FERRANTI					
5UB/6505074	RD7146	Transformer, type 123	1	—	A	GG10/501

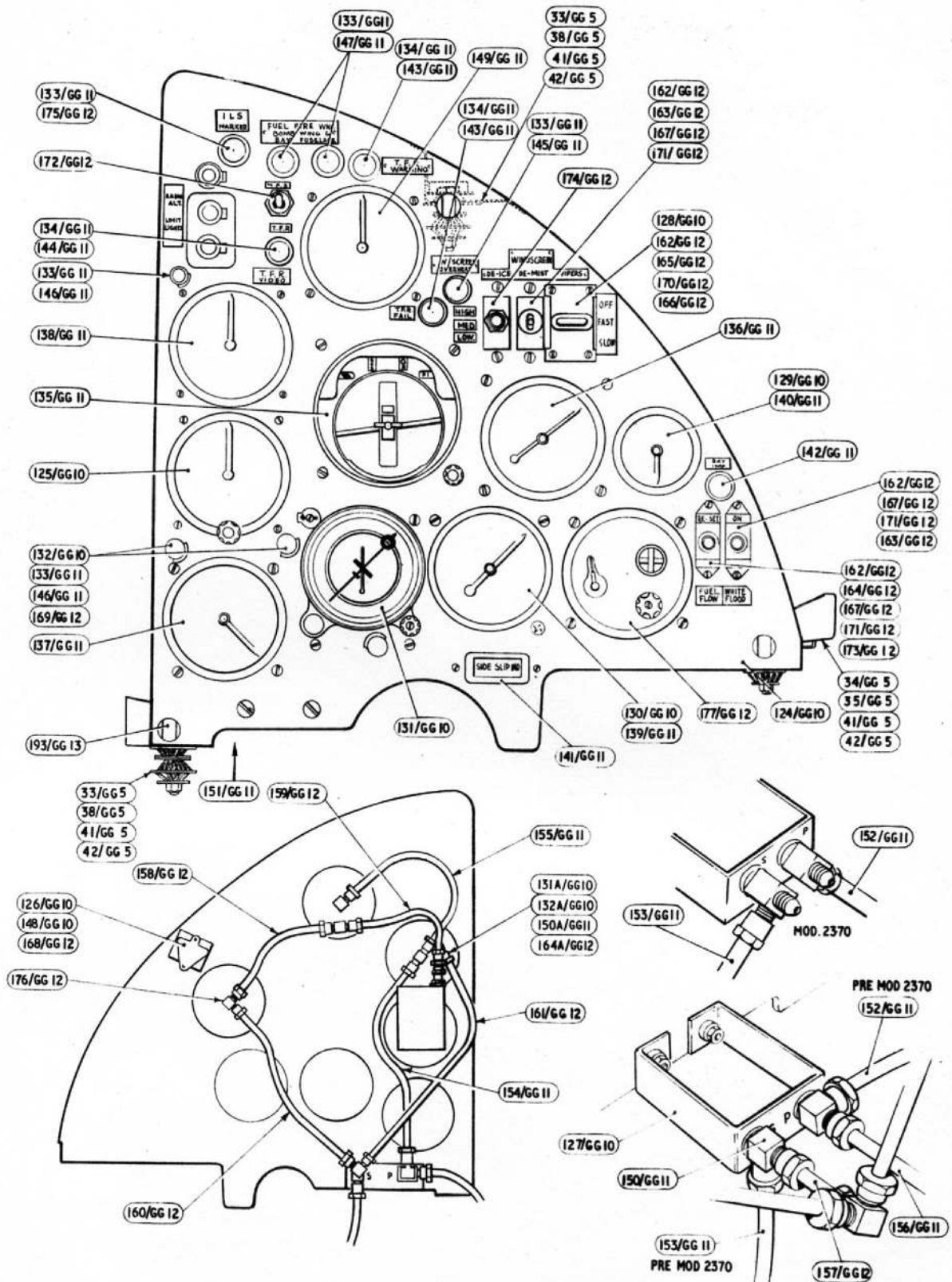
EQUIPMENT—AIRCRAFT

INSTRUMENT PANELS

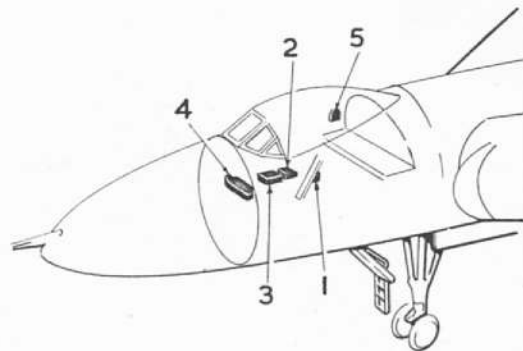
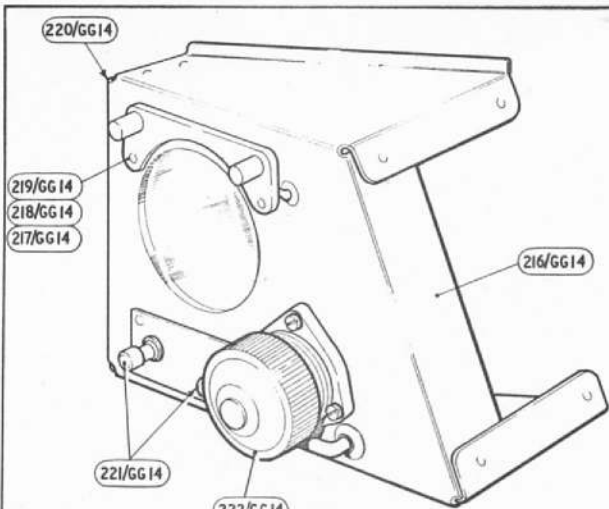
Ref. No.	Part No.	Description	No. off	Matl. Spec.	Cl. of St.	Plate and Illust'n No.
					M.R.	
		PANELS, INSTRUMENT, REAR PORTION FUSELAGE Spares for:— PANEL, R.C.M. FUSE 14P, REAR PORTION (1V8629) (See Electrical Installation—Rear Portion Fuselage) PANEL, CONTACTOR 44P IN REAR PORTION (1V10081) (See Electrical Installation—Rear Portion Fuselage) PANEL, RELAY, 84P, PARACHUTE RELEASE CIRCUIT, REAR SECTION (1V10106) Spares for:—				
	1V9597	LOOM CABLE, GROUP	1	—		
	2V10106	PANEL, LESS WIRING, GROUP	1	—		
5X/6200370	1V5650	Block, terminal	1	—	C	
	1335V7728	Label, TB.1335	1	DTD213		
	3V10106	PANEL, GROUP	1	—		
	649SS6003	Label, 649	1	L59		
	650SS6003	Label, 650	1	L59		
	651SS6003	Label, 651	1	L59		
	652SS6003	Label, 652	1	L59		
	653SS6003	Label, 653	1	L59		
	654SS6003	Label, 654	1	L59		
	655SS6003	Label, 655	1	L59		
	700SS6003	Label, 700	1	L59		
	701SS6003	Label, 701	1	L59		
5CW/4400162	7CZ/103739/1	Relay	5	—	B	
5CW/4400161	7CZ/105411/1	Relay	4	—	B	
5X/4491487	14V5650	Socket, double	2	—	C	
5X/4491488	15V5650	Socket, single	1	—	C	



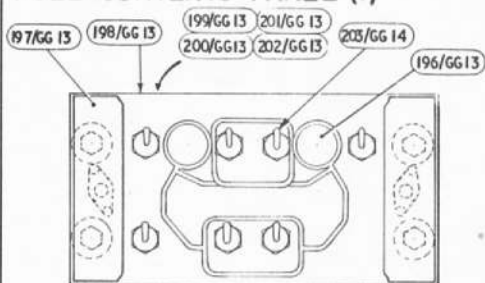
1st PILOT'S INSTRUMENT PANEL



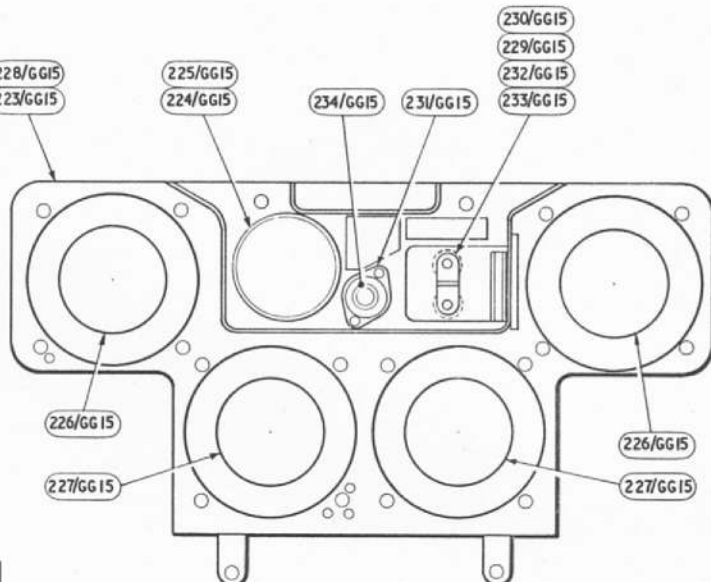
2ND PILOTS INSTRUMENT PANEL



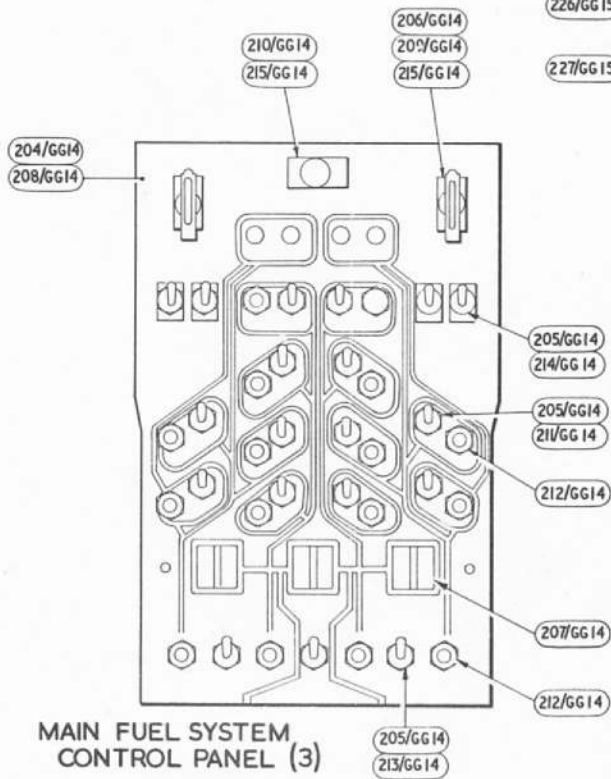
**BOMB BAY TANKS
FUEL CONTENTS PANEL (1)**



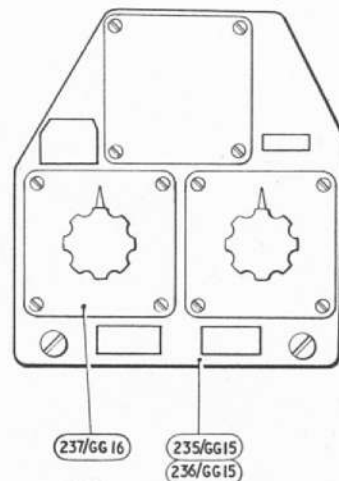
**BOMB BAY TANKS
CONTROL PANEL (2)**



FUEL CONTENTS PANEL (4)

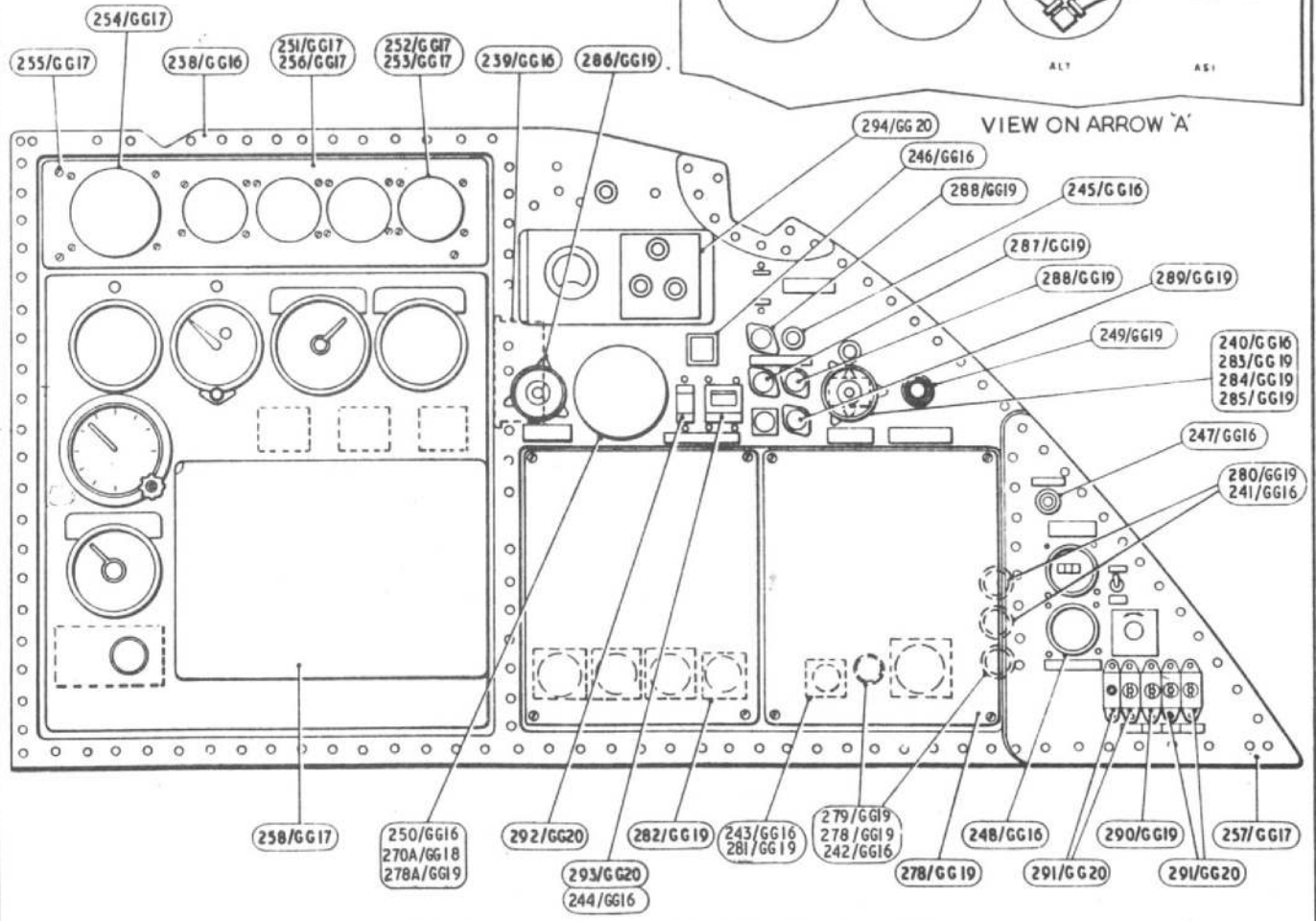
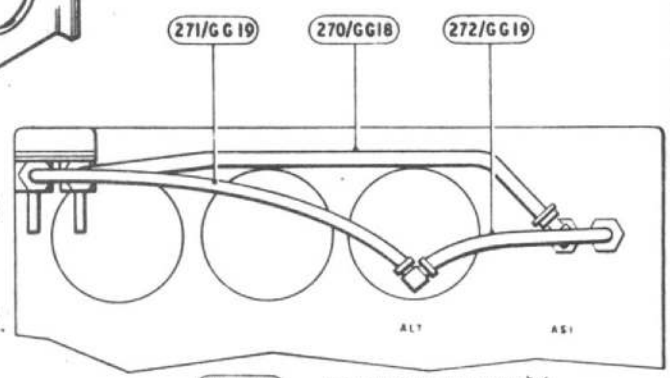
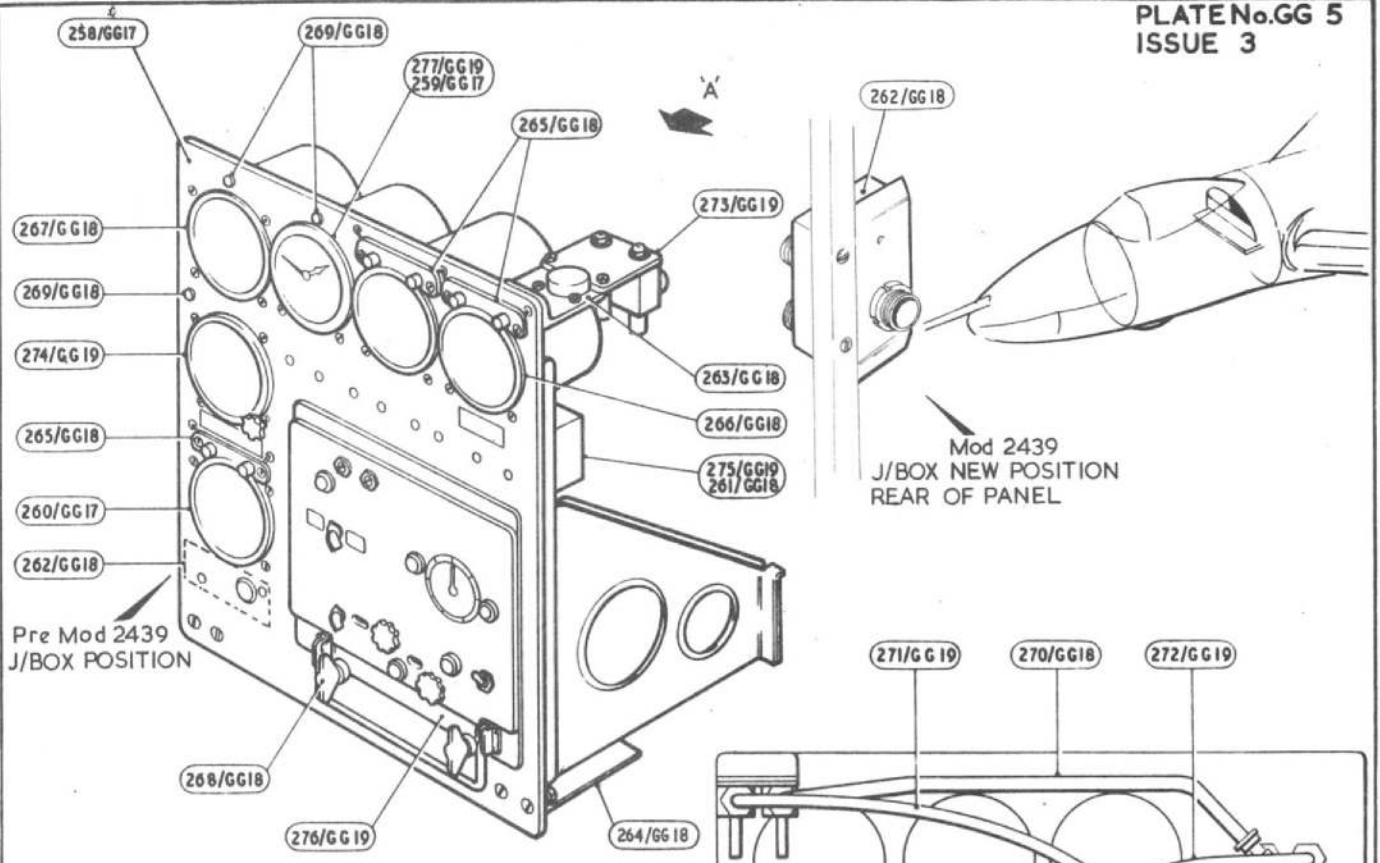


**MAIN FUEL SYSTEM
CONTROL PANEL (3)**

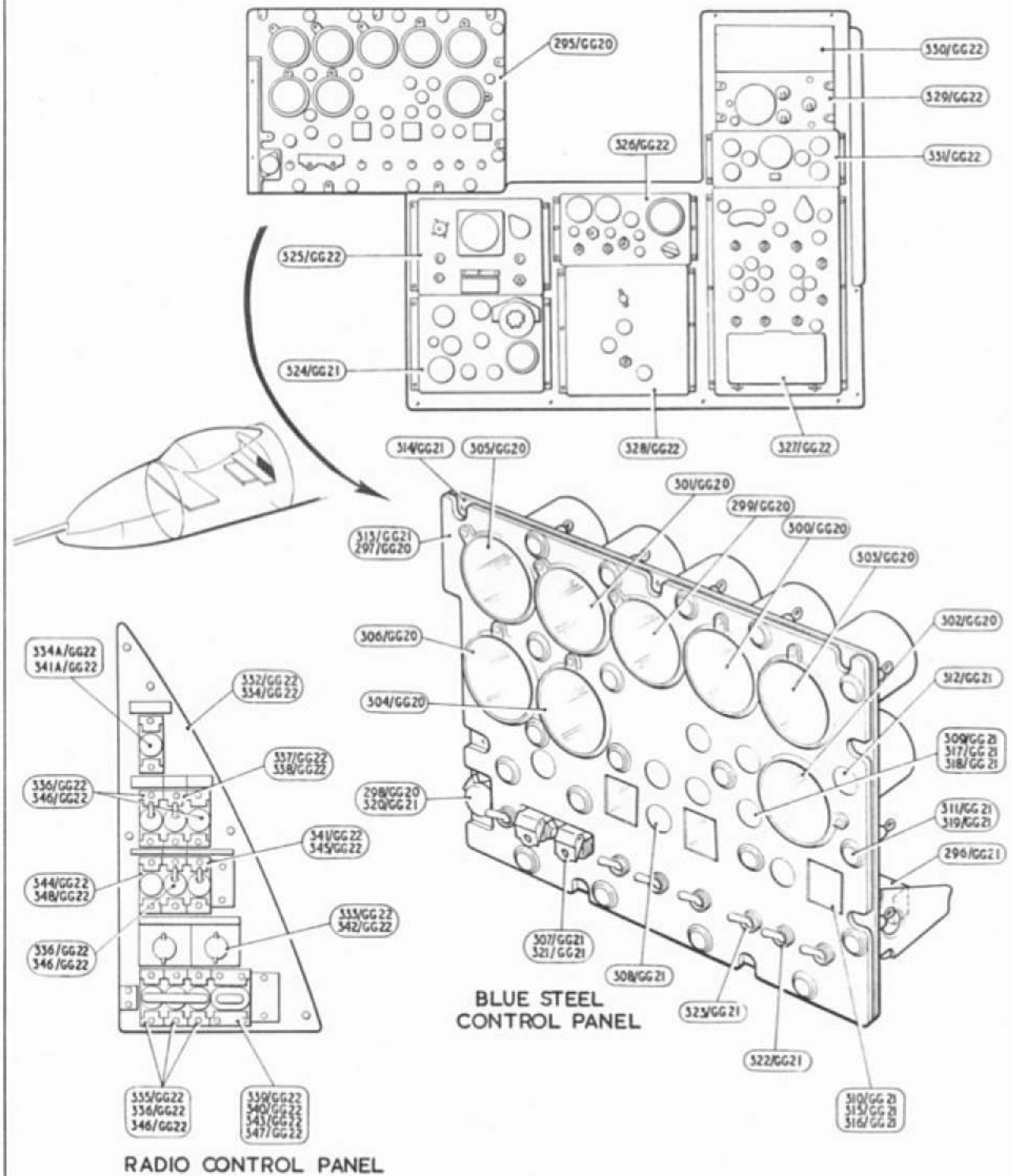


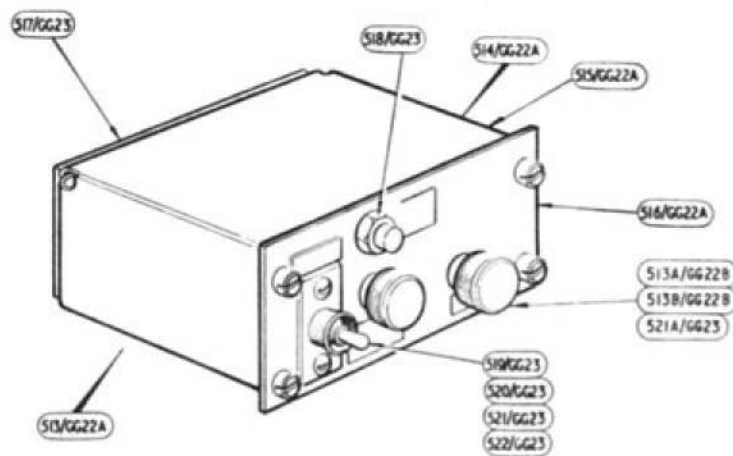
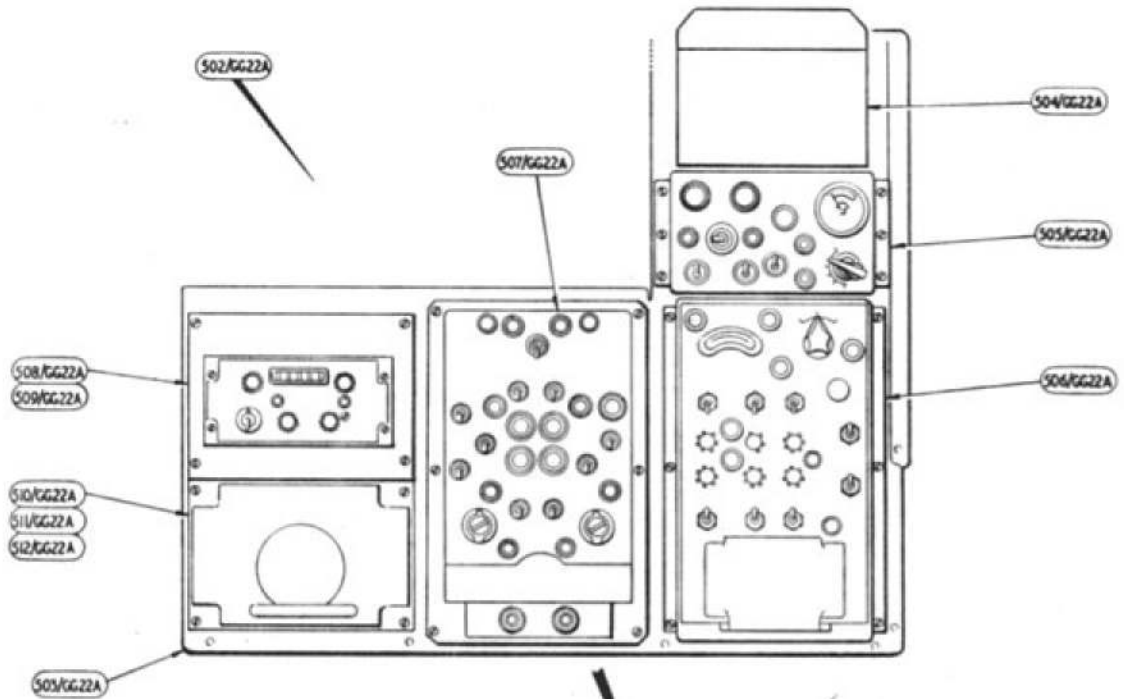
**FIN AND WING DE-ICING
TEMPERATURE SELECTOR PANEL(5)**

FUEL SYSTEM AND DE-ICING PANELS

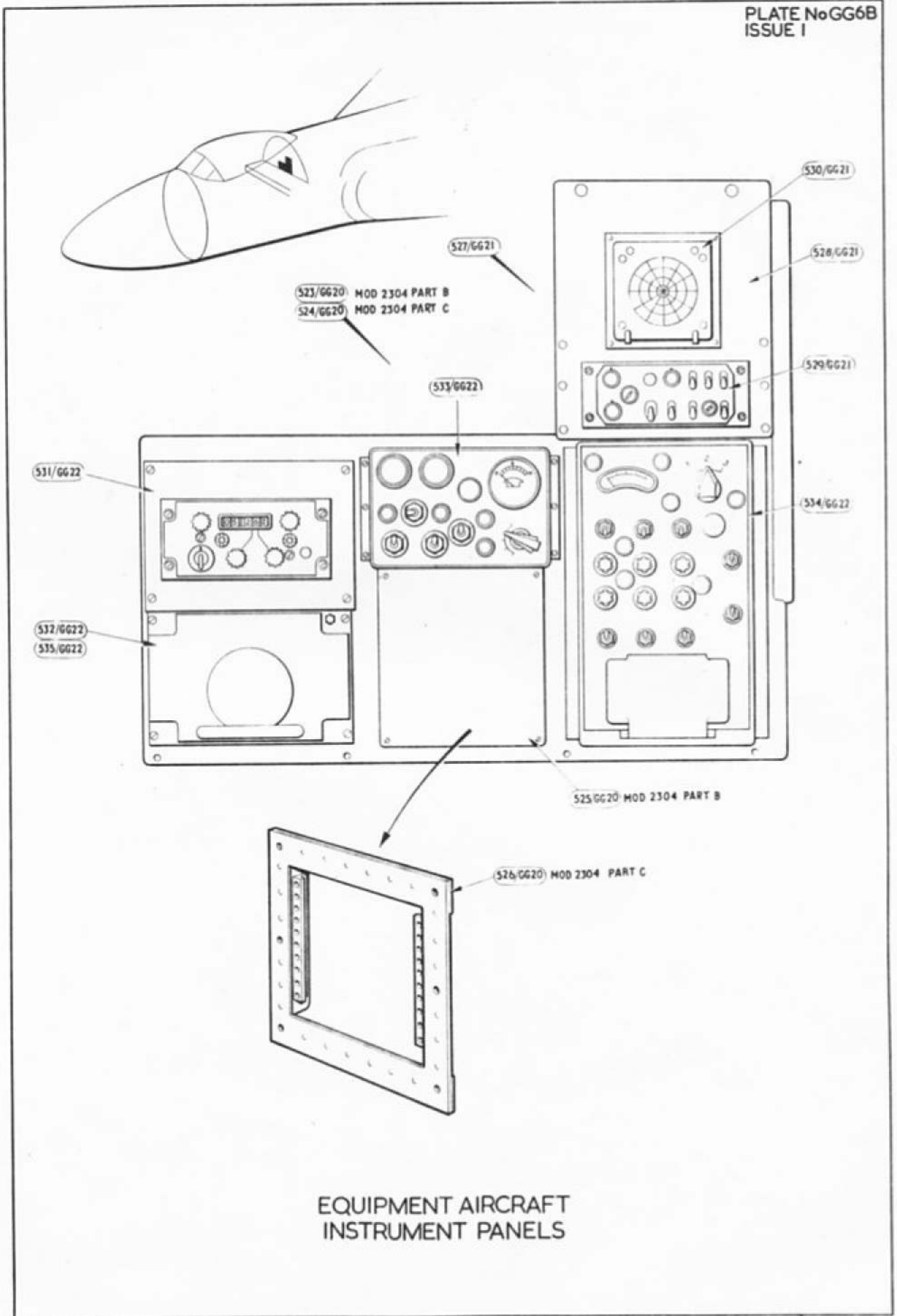


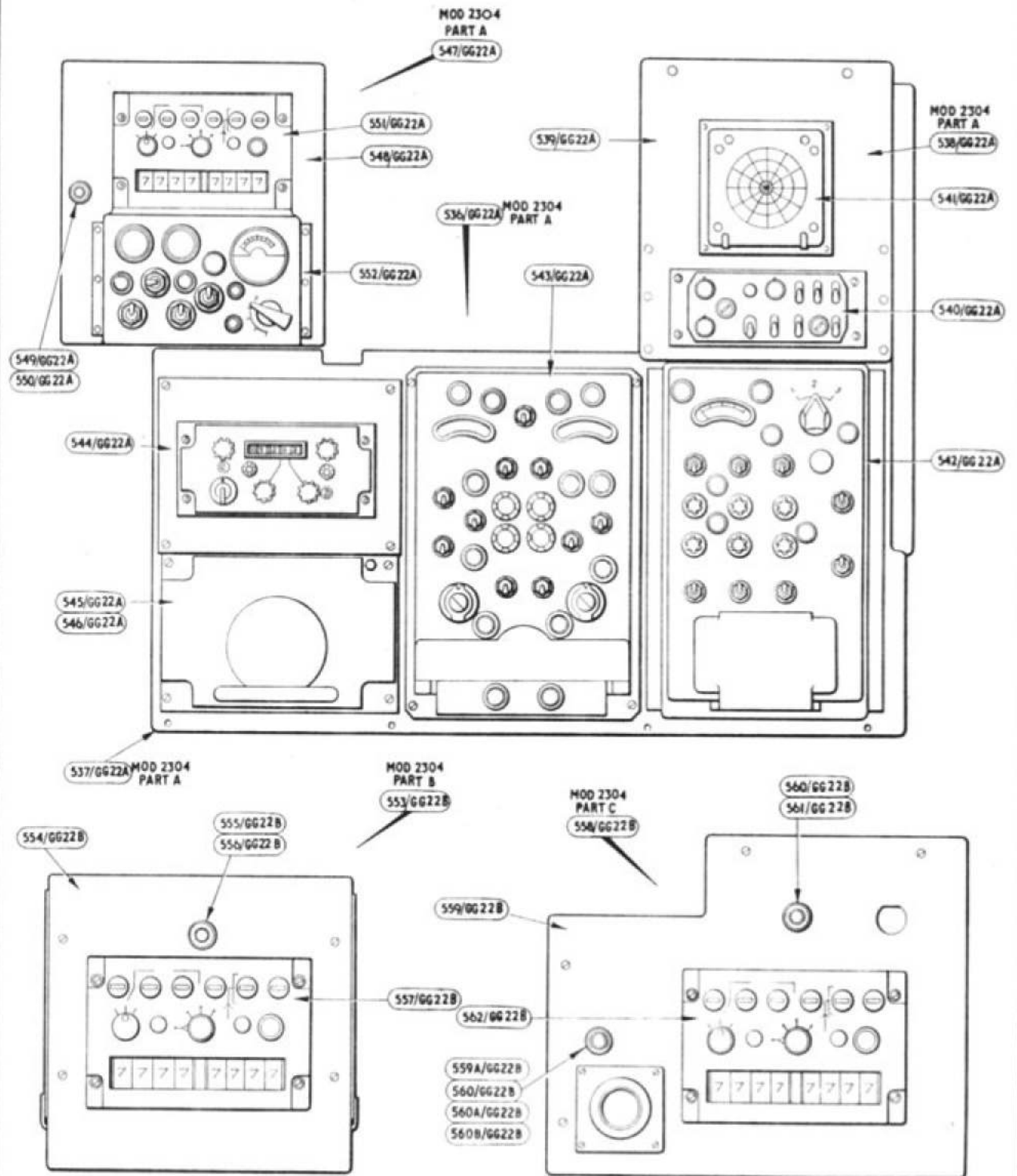
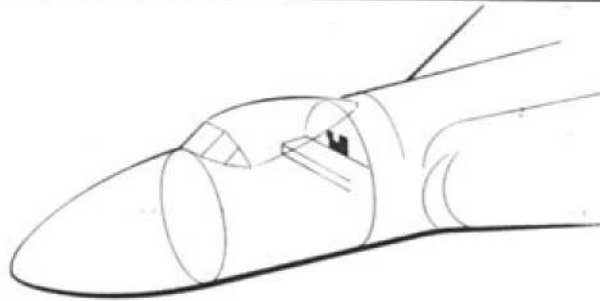
NAVIGATOR'S PLOTTING PANEL



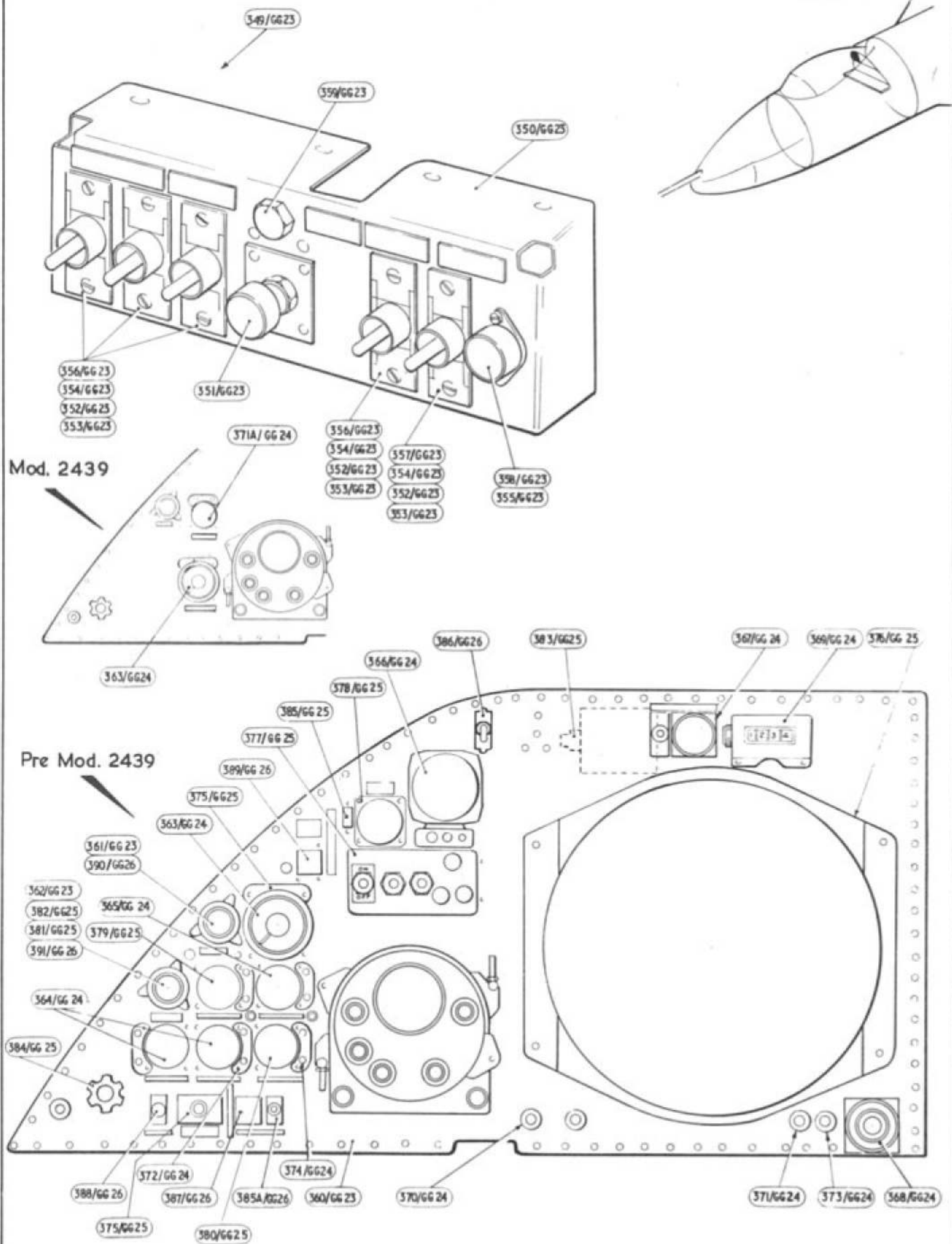


EQUIPMENT AIRCRAFT
INSTRUMENT PANELS

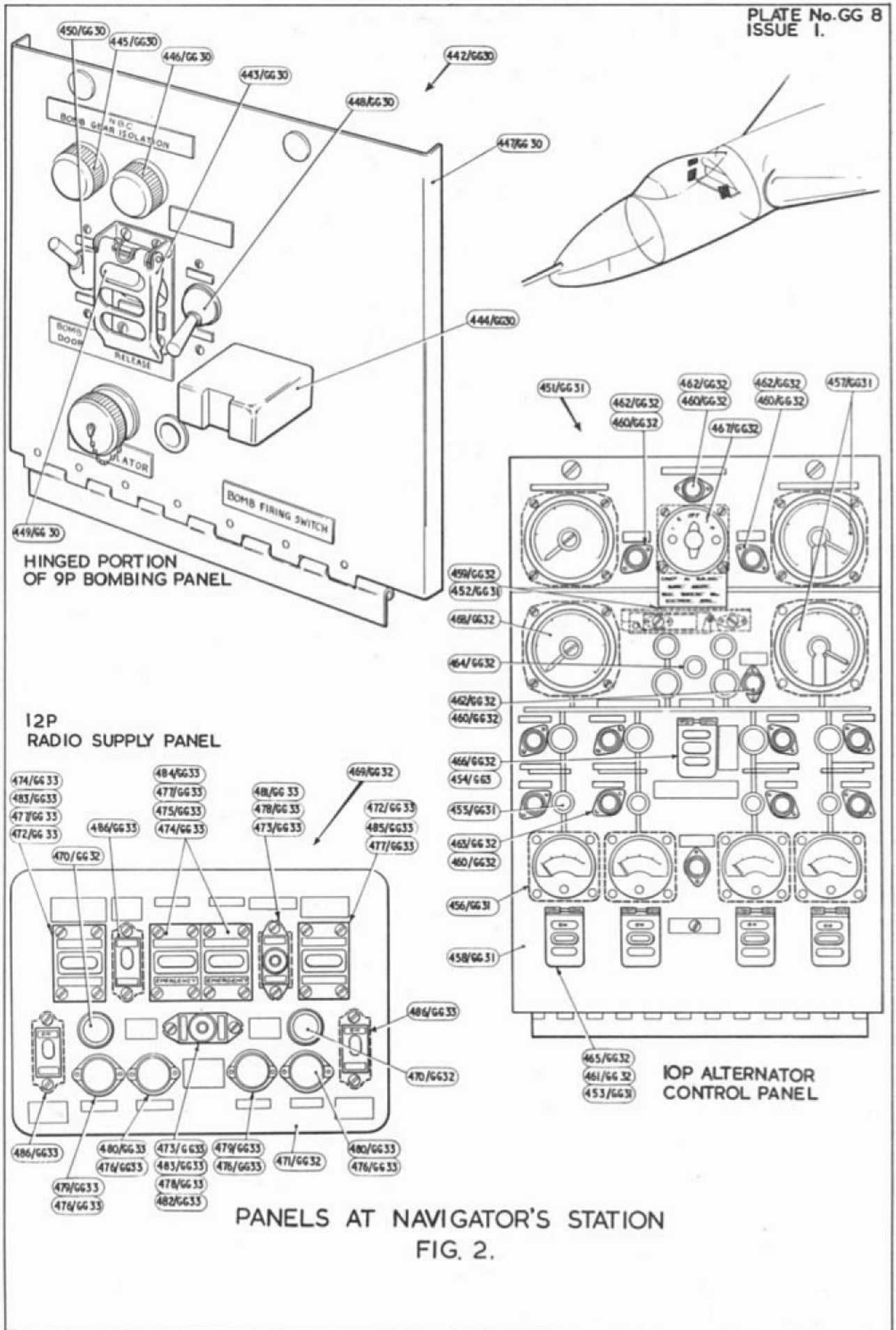




EQUIPMENT AIRCRAFT
INSTRUMENT PANELS

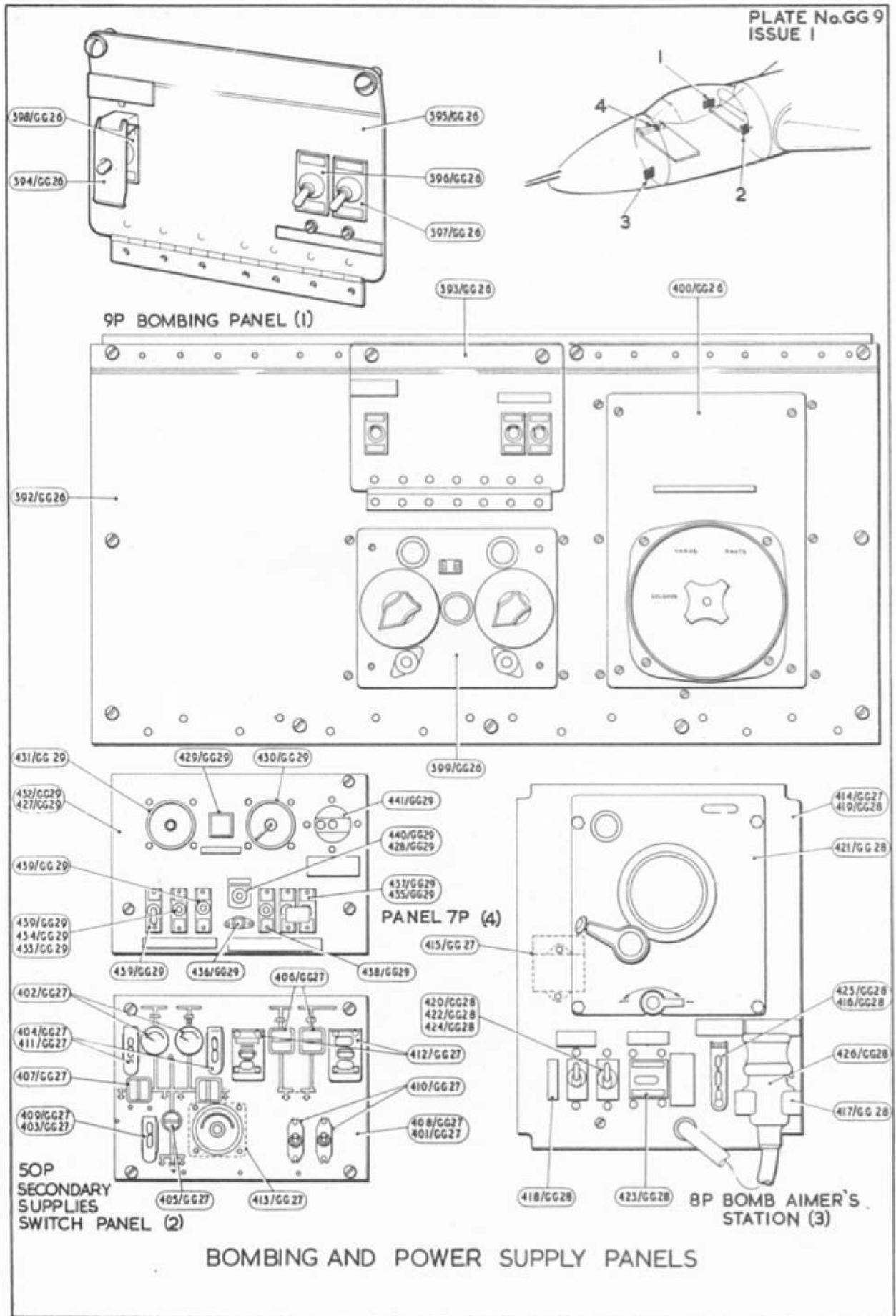


PANELS AT NAVIGATORS RADAR STATION
FIG. I.



RESTRICTED

PLATE No.GG 9
ISSUE 1

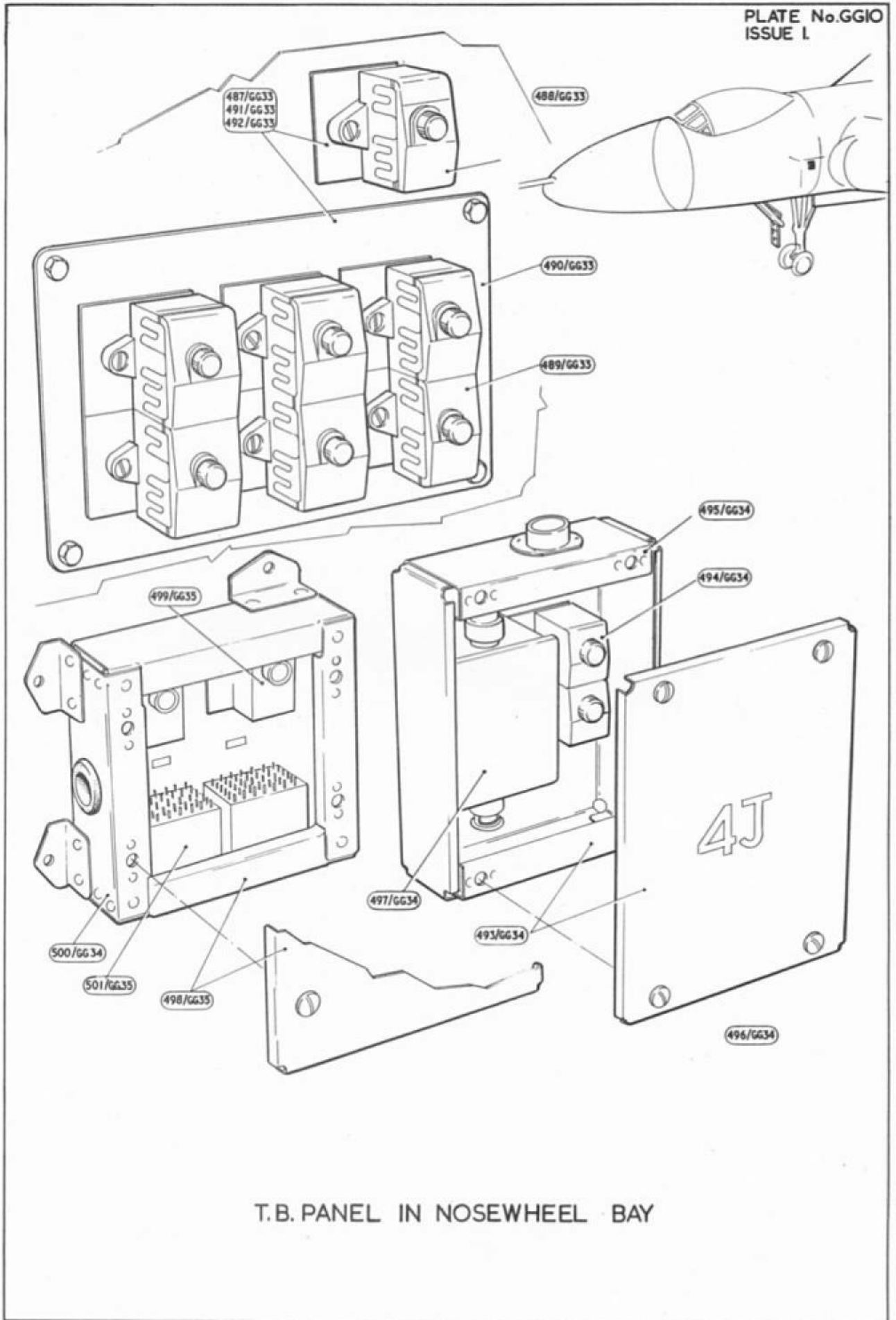


BOMBING AND POWER SUPPLY PANELS

RESTRICTED

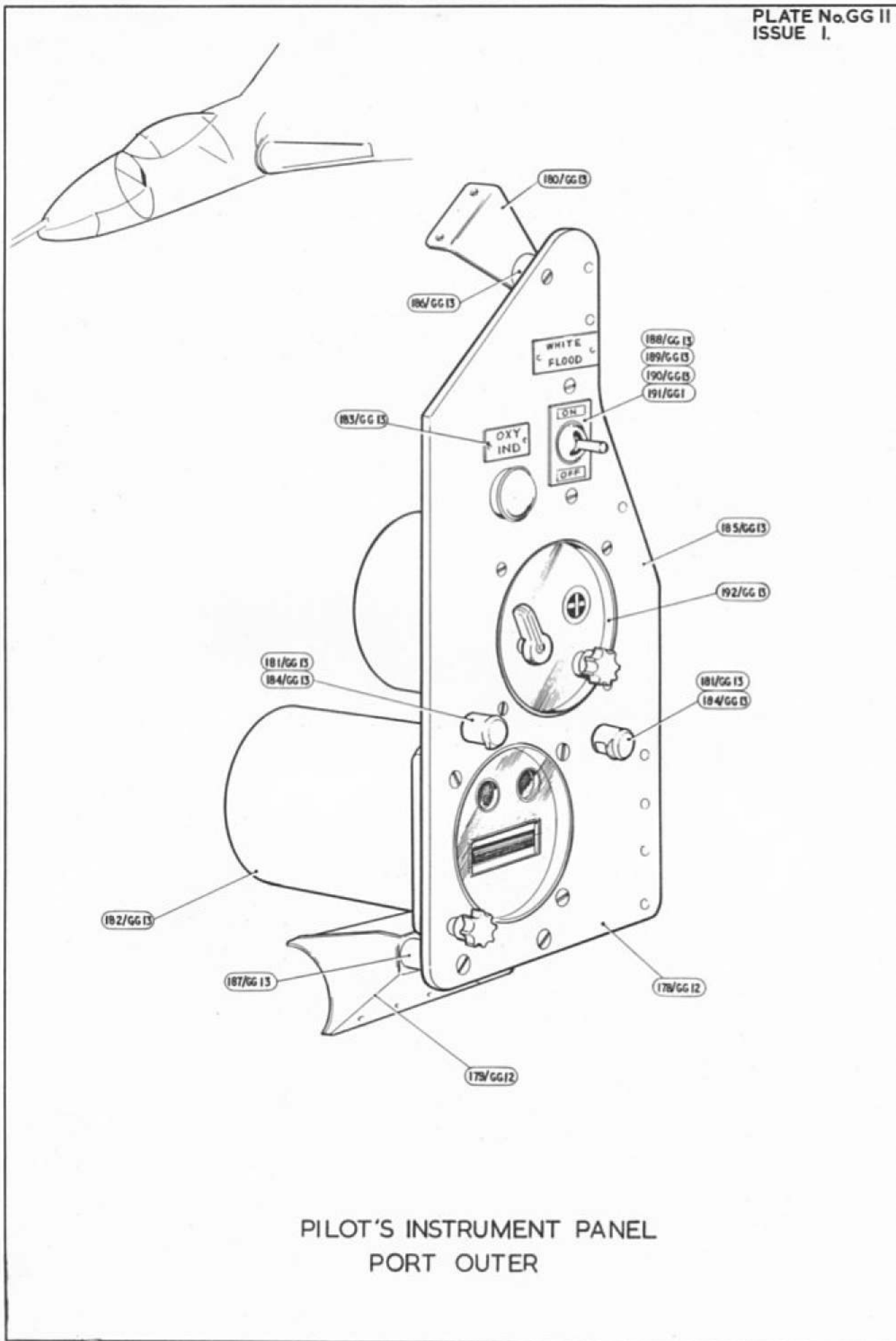
RESTRICTED

PLATE No.GGIO
ISSUE I

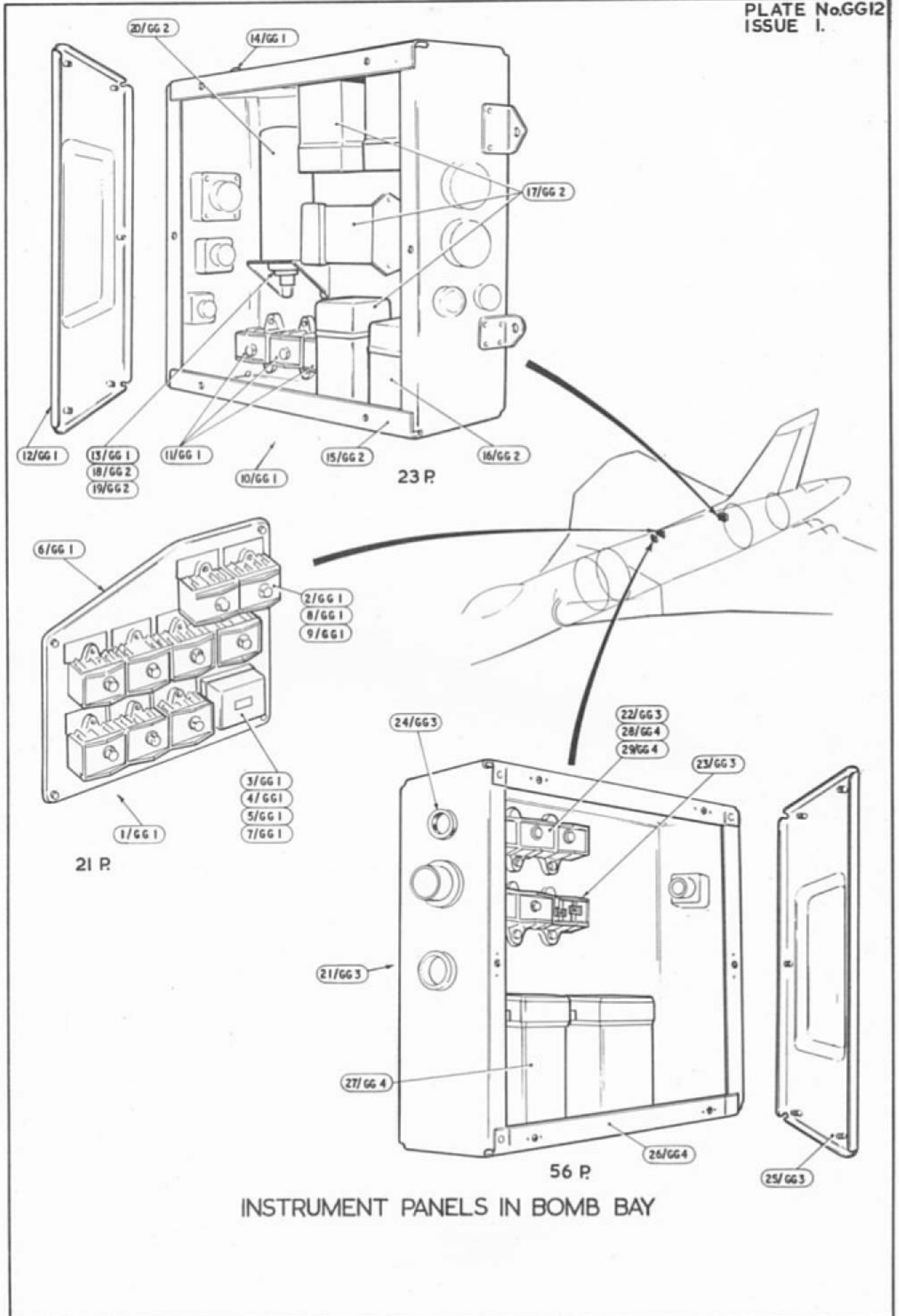


T.B. PANEL IN NOSEWHEEL BAY

RESTRICTED



PILOT'S INSTRUMENT PANEL
PORT OUTER





This file was downloaded
from the RTFM Library.

Link: www.scottbouch.com/rtfm

Please see site for usage terms,
and more aircraft documents.