

VULCAN Mk. 2

EQUIPMENT AIRCRAFT  
PERISCOPE INSTALLATION

Page GJ. 1

| Ref. No.    | Part No.                                   | Description   | No. off | Matl. Spec. | Cl. of St. | Plate and Illust'n No. |
|-------------|--|---|---------|-------------|------------|------------------------|
|             |  |   |         |             | M.R.       |                        |
|             |  | 1 2 3 4   |         |             |            |                        |
|             |  | PERISCOPE INSTALLATION AT NAVIGATOR'S STATION (24Z8684)<br>Spares for:—<br>CONDUIT AND CABLE RUN OPERATING MECHANISM FOR PERISCOPE (1Z9845)<br>Spares for:— |         |             |            |                        |
| 27K/1400    | 11Z8707<br>TELEFLEX<br>B.42878             | Bolt, special .....   | 3       | —           |            | GJ1/1                  |
|             |  | Box, receiver .....   | 1       | —           | B          | GJ1/2                  |
|             |  | CABLE RUN AND LINKAGE TO UPPER AND LOWER SIGHTING HEAD (3 & 4Z9845)<br>Spares for:—   |         |             |            |                        |
| 27K/1064    | TELEFLEX<br>C.36428                        | Cable, control, upper, 12" long .....   | 1       | —           | C          | GJ1/3                  |
| 27K/1063    | TELEFLEX<br>C36426                         | Cable, control lower, 10" long .....  | 1       | —           | C          | GJ1/4                  |
| 6073        | 8Z8707                                     | CLIP, HALF, TOP, GROUP .....  | 1       | —           | C          | GJ1/5                  |
| 6074        | 9Z8707                                     | CLIP, HALF, C/W BEARING, GROUP .....  | 1       | —           | C          | GJ1/6                  |
|             | 9aZ8707                                    | Spares for:—<br>Bearing, flanged, 1.25" dia. x 5/16" long .....   | 1       | —           |            |                        |
| 28FP/2721   | 2SS3859                                    | Clip, cable for conduit .....   | 5       | —           | C          | GJ1/7                  |
| 28N/5549    | AGS899/2                                   | Collar, for lever pin .....   | 1       | —           | C          | GJ1/8                  |
|             | 20Z8707                                    | CONDUIT, CABLE, UPPER, FROM OPERATING MECHANISM TO CONNECTOR, 4' 6" LONG, GROUP .....   | 1       | —           |            | GJ1/9                  |
|             | 4Z8707                                     | CONDUIT, CABLE, UPPER, FROM CONNECTOR TO SWIVEL UNIT, 7' 6" LONG, GROUP .....   | 1       | —           |            | GJ1/10                 |
|             | 3Z9845                                     | CONDUIT, CABLE, LOWER, FROM OPERATING MECHANISM TO MOUNTING PANEL, 9' 0" LONG, GROUP .....  | 1       | —           |            | GJ1/11                 |
| 27K/796     | TELEFLEX<br>B35340/B<br>TELEFLEX<br>C41021 | Connector, conduit, upper .....   | 1       |             | C          | GJ1/12                 |
|             |  | Fork end, sliding .....   | 1       |             | C          | GJ1/13                 |
| 1510348     | 14Z8707                                    | GUARD, HALF, STBD., GROUP .....   | 1       | —           | C          | GJ1/14                 |
| 1510349     | 15Z8707                                    | GUARD, HALF, PORT, GROUP .....  | 1       | —           | C          | GJ1/15                 |
|             | 14bZ8707                                   | Spares for:—<br>Strip, rubber, 1/32" x 6" x 5/8" .....  | 1       | —           |            |                        |
| 6075        | 12Z8707                                    | Lever .....   | 1       | L53         | C          | GJ1/16                 |
|             | 2SS4089                                    | Pin, joint, for lever .....   | 1       |             |            | GJ1/17                 |
| 6076        | 6Z8707                                     | Spindle, extension, upper .....   | 1       | L65         | C          | GJ1/18                 |
|             | 7Z8707                                     | Spindle, extension, lower .....   | 1       | L65         | MR         | GJ1/19                 |
| 27K/4690395 | TELEFLEX<br>C24200/B<br>TELEFLEX           | Unit, swivel .....  | 1       | —           | B          | GJ1/20                 |
| 27K/1236    | DS380                                      | Cable, control, 7' 0" long .....  | 1       | —           | C          | GJ1/21                 |

EQUIPMENT AIRCRAFT  
PERISCOPE INSTALLATION

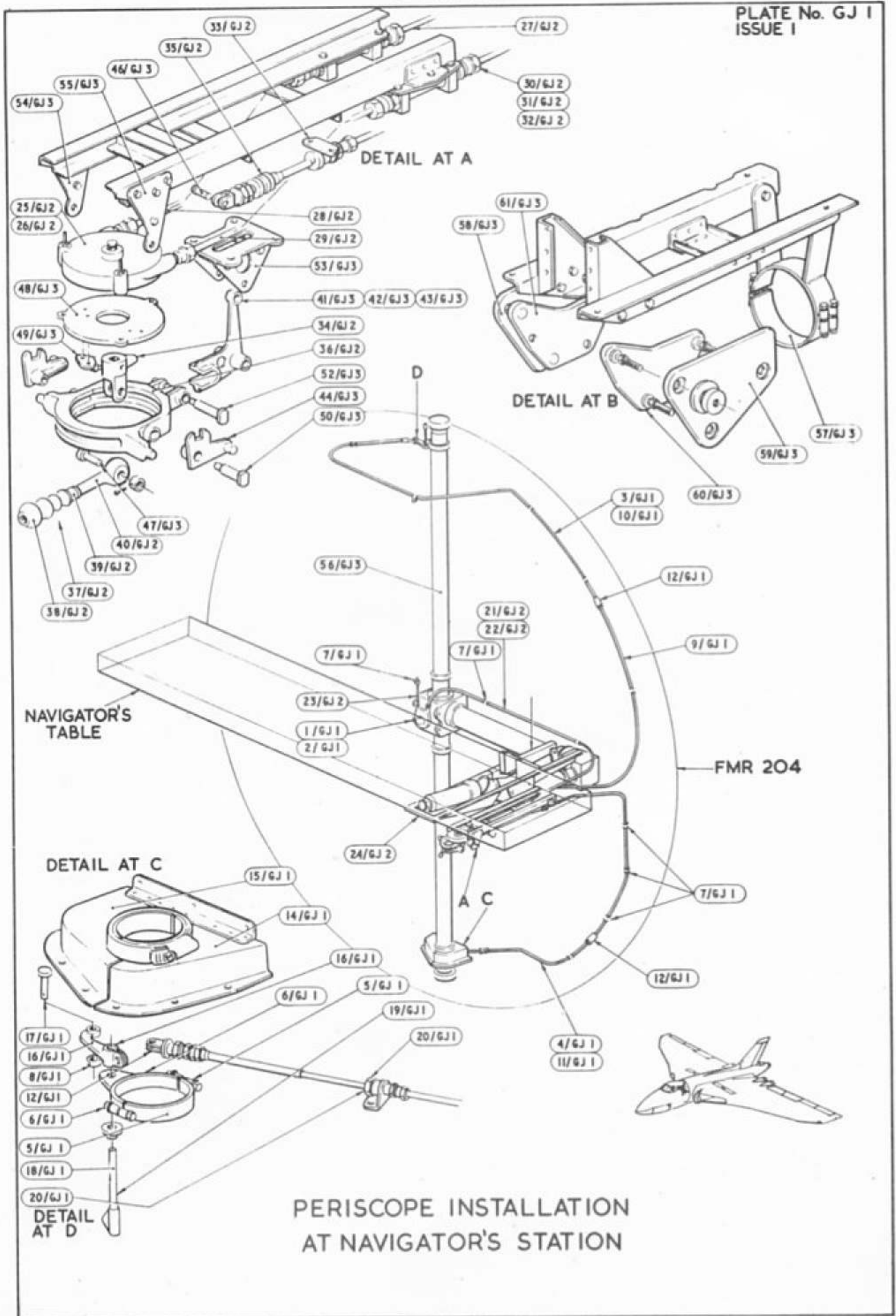
| Ref. No.                   | Part No.                | Description   | No. off  | Matl. Spec. | Cl. of St. | Plate and Illust'n No. |
|----------------------------|-------------------------|---|----------|-------------|------------|------------------------|
|                            |                         |   |          |             | M.R.       |                        |
|                            |                         | 1 2 3 4   |          |             |            |                        |
|                            | 17Z8707                 | CONDUIT, CABLE, OPERATING .....<br>MECHANISM TO RECEIVER BOX, GROUP         | 1        | —           |            | GJ1/22                 |
|                            | 19Z8707                 | TUBE, SPENT TRAVEL, GROUP .....   | 1        | —           |            | GJ1/23                 |
|                            | 6Z8684                  | GUARD, UNDER NAVIGATOR'S TABLE, .....<br>GROUP                              | 1        | —           | MR         | GJ1/24                 |
| 28D/1218386<br>28M/1278189 | AS1248/3B<br>AGS2001/B1 | Attachments—Guard, Part No. 6Z8684<br>Bolt, 4 BA .....<br>Nut, 2 BA .....   | 20<br>20 | —<br>—      | C<br>C     |                        |
|                            |                         | MECHANISM, OPERATING, FOR PERISCOPE<br>(1Z8602)                             |          |             |            |                        |
|                            |                         | Spares for:—  |          |             |            |                        |
|                            | 9Z8602                  | Bracket, fulcrum .....  | 1        | —           |            | GJ1/53                 |
|                            | 24Z8602                 | Bracket, fulcrum RH .....   | 1        | —           |            | GJ1/54                 |
|                            | 25Z8602                 | Bracket, fulcrum LH .....   | 1        | —           |            | GJ1/55                 |
| 7425                       | 18Z8602                 | BOX, RECEIVER AND CONDUIT, GROUP .....<br>Spares for:—                      | 1        | —           | B          | GJ1/25                 |
|                            | TELEFLEX<br>C42885/B    | Box, receiver .....   | 1        | —           | B          | GJ1/26                 |
| 27K/1402<br>6078           | 18aZ8602                | Cable, control .....  | 1        | —           | C          | GJ1/27                 |
|                            | 18bZ8602                | CONDUIT, PORT, GROUP .....  | 1        | —           | B          | GJ1/28                 |
|                            | 18cZ8602                | CONDUIT, STARBOARD, GROUP .....   | 1        | —           |            | GJ1/29                 |
|                            |                         | Consisting of:—   |          |             |            |                        |
|                            | 18dZ8602                | Conduit, DS. 307/2 x 13" long, port .....<br>(Make from 27K/548)            | 1        | —           |            |                        |
|                            | 18eZ8602                | Conduit, DS. 307/2 x 13" long starboard<br>(Make from 27K/548)              | 1        | —           |            |                        |
|                            | TELEFLEX<br>A35336      | Collar .....  | 2        | —           |            | GJ1/30                 |
|                            | TELEFLEX<br>B35335      | Sleeve, outer .....   | 2        | —           |            | GJ1/31                 |
| 27K/1062                   | TELEFLEX<br>C36706/B    | Unit, break .....   | 1        | —           | B          | GJ1/32                 |
|                            | TELEFLEX<br>C24197      | Coupling, swivel .....  | 1        | —           | B          | GJ1/33                 |
| 27K/4690895                | 10Z8602                 | Fork-end, at receiver bar .....   | 1        | L53         |            | GJ1/34                 |
|                            | TELEFLEX<br>C41018      | Fork-end sliding, for swivel (Make up from .....<br>AP4515G, Vol. 3, Pt. 1) | 1        | —           | C          | GJ1/35                 |
|                            | 5Z8602                  | Gate, lever oscillating .....   | 1        | L53         |            | GJ1/36                 |
|                            | 4Z8602                  | LEVER, CONTROL, FOR OPERATING .....<br>MECHANISM, GROUP                     | 1        |             | MR         | GJ1/37                 |
|                            |                         | Spares for:—  |          |             |            |                        |
|                            | 4cZ8602                 | Handle .....  | 1        | DTD130      |            | GJ1/38                 |
|                            | 4bZ8602                 | Roller, .55" dia. x .5" long .....  | 1        | S1          |            | GJ1/39                 |
|                            | 4aZ8602                 | Spindle, 1" dia. x 6" long .....  | 1        | L65         |            | GJ1/40                 |

VULCAN Mk. 2

EQUIPMENT AIRCRAFT  
PERISCOPE INSTALLATION

Page GJ. 3

| Ref. No. | Part No.                           | Description  | No.<br>off | Matl. Spec. | Cl. of      | Plate<br>and<br>Illust'n<br>No. |
|----------|------------------------------------|--|------------|-------------|-------------|---------------------------------|
|          |                                    |  |            |             | St.<br>M.R. |                                 |
|          |                                    |  | 1          | 2           | 3           | 4                               |
|          |                                    | MECHANISM, OPERATING, FOR PERISCOPE<br>(1Z8602) (Cont'd)                     |            |             |             |                                 |
| 9994     | 11Z8602                            | LEVER, BELL CRANK, GROUP .....   | 1          | —           | C           | GJ1/41                          |
|          |                                    | Consisting of:—  |            |             |             |                                 |
|          | CT4                                | Bush, oilite, 1/2" dia. x 1.03" long .....                                   | 1          | —           |             | GJ1/42                          |
|          | 11aZ8602                           | Lever .....  | 1          | L53         |             | GJ1/43                          |
|          | 6Z8602                             | Lever, toggle, LH .....  | 1          | L53         |             | GJ1/44                          |
|          | 7Z8602                             | Lever, toggle, RH .....  | 1          | L53         |             | GJ1/45                          |
|          | 2SS4098                            | Pin, fulcrum, for bell crank lever .....                                     | 1          |             |             | GJ1/46                          |
|          | 21Z8602                            | Pin, fulcrum, for operating handle .....                                     | 1          | S1          | MR          | GJ1/47                          |
|          | 17Z8602                            | RING, MOUNTING AND STOP BRACKETS,<br>GROUP                                   | 1          | —           | MR          | GJ1/48                          |
|          |                                    | Spares for:—   |            |             |             |                                 |
|          | 10Z7032                            | Screw, buffer, 0.5" dia. x 1" long .....                                     | 2          | S1          |             | GJ1/49                          |
|          | 13Z8602                            | Stud, shouldered, 0.5" dia. x 1.9" long .....                                | 2          | S1          | MR          | GJ1/50                          |
|          | 14Z8602                            | Stud, shouldered, 0.625" dia. x 2" long .....                                | 1          | S1          | MR          | GJ1/51                          |
|          | 15Z8602                            | Stud, shouldered, 0.625" dia. x 1" long .....                                | 1          | S1          | MR          | GJ1/52                          |
|          |                                    | PERISCOPE, INSTALLATION (1Z8683)<br>Spares for:—                             |            |             |             |                                 |
|          | KELVIN<br>HUGHES<br>Z157-124       | Locknut (Mod. 2289) .....  | 1          | —           |             |                                 |
| 9390     | KELVIN<br>HUGHES<br>K.P.G.-0401    | Periscope, rearward viewing .....  | 1          | —           | A           | GJ1/56                          |
|          | KELVIN<br>HUGHES<br>Z157-1192      | Plate, pressure (Mod. 2289) .....  | 1          | —           |             |                                 |
|          | KELVIN<br>HUGHES<br>30-781-1017-53 | Seal, "O" ring (Mod. 2289) .....   | 1          |             |             |                                 |
|          | KELVIN<br>HUGHES<br>Z157-125       | Washer, tab (Mod. 2289) .....  | 1          |             |             |                                 |
|          |                                    | STRUCTURE, SUPPORT, PERISCOPE,<br>NAVIGATOR'S TABLE (1Z9231)<br>Spares for:— |            |             |             |                                 |
|          | 9Z9231                             | CLIP, ATTACHMENT, GROUP .....  | 1          | —           |             | GJ1/57                          |
|          |                                    | Spares for:—   |            |             |             |                                 |
| 12932    | 3Z8737                             | Clip, half, bottom .....   | 1          | —           | C           |                                 |
|          | 9aZ9231                            | Clip, half, top .....  | 1          | —           |             |                                 |
|          | 4Z9231                             | PLATE, ADJUSTING, GROUP .....  | 1          | —           |             | GJ1/58                          |
|          | 5Z9231                             | PLATE, ADJUSTING, GROUP .....  | 1          | —           |             | GJ1/59                          |
|          | 15Z9231                            | PLATE, SETTING, GROUP .....  | 1          | —           |             | GJ1/60                          |
|          | 16Z9231                            | PLATE, SETTING, GROUP .....  | 1          | —           |             | GJ1/61                          |



This file was downloaded  
from the RTFM Library.  
Link: [www.scottbouch.com/rtfm](http://www.scottbouch.com/rtfm)

Please see site for usage terms,  
and more aircraft documents.

