

VULCAN Mk. 2

EQUIPMENT AIRCRAFT
SEATS AND FITTINGS

Page GK. 1

Ref. No.	Part No.	Description	No. off	Matl. Spec.	Cl. of	Plate and Illust'n No.
					St. M.R.	
		1 2 3 4				
		SEATS AND FITTINGS Spares for:— CUSHIONING BOMB AIMER'S BLISTER IN CREWS NACELLE (Z9442) (See Armaments—T4 Bombsight Inst.) MOUNTING 1st AND 2nd PILOT'S EJECTION SEAT (1 & 2N1433) (Mod. 628) (Mod. 1789) Spares for:—				
9858 5X/6200370	118Z9596 1V5650	Adaptor	1	DTD130	C	GK1/1
		Block, terminal	2	—	C	GK1/2
	37N1433	BLOCK, STOWAGE AT COCKPIT RAIL, ... GROUP (Mod. 2096)	1	—		GK1/3
6D/2214 6D/2881	— —	Bottle, emergency oxygen (Pre-Mod. 1789) ...	1	—		GK1/4
		Bottle, emergency oxygen, Mk. 3	1	—		GK1/5
	3N1268	Bracket, attachment guide rail 1st Pilot's	1	—		GK1/6
	4N1268	Bracket, attachment guide rail 2nd Pilot's	1	—		GK1/7
	5N1268	Bracket, attachment cockpit rail, port	1	—		GK1/8
	6N1268	Bracket, attachment cockpit rail, starboard ...	1	—		GK1/9
	18N1433	Bracket, rail attachment	1	DTD410		GK1/10
	3N1261	BRACKET ATTACHMENT, PORT, GROUP	1	—		GK1/11
	4N1261	BRACKET ATTACHMENT, STBD., GROUP	1	—		
		Spares for:—				
	11N1261	Bearing	1	—		
	15N1261	Bush	1	—		
	27N1433	CABLE, GROUP (Mod. 1484)	1	—	MR	GK3/12
12K/1314	—	Cartridge Set No. 3, Mk. 3	—	—	C	
12K/1352	—	(See Armaments—Pyrotechnics) Cartridge, Guillotine No. 2, Mk. 1	—	—	C	
		(See Armaments—Pyrotechnics)				
5X/4491486 6D/2526	10V5650 —	Ferrule	6	DTD527	C	GK1/13
		Gauge remote charging point and pressure (Mod. 1789)	1	—		
17242	10N1433 11N1433 DUNLOP	HOSE, FLEXIBLE, PORT, GROUP	1	—	C	GK1/14
		HOSE, FLEXIBLE, STBD., GROUP	1	—	MR	GK1/15
32C/4669356 32C/4669356	DAS5231/G/38 DAS5231/G/50 311SS6005 312SS6005 1043T4323 1044T3423	Hose, flexible, starboard, 38" long	1	—	C	GK1/16
		Hose, flexible, port, 50" long	1	—	C	GK1/17
		Label, danger	1	—		GK1/18
		Label, stowage for safety pins	1	—		GK1/19
		Label, terminal block 5.9 amp.	1	—		GK1/20
		Label, terminal block 5.9 amp.	1	—		GK1/21

VULCAN Mk. 2		EQUIPMENT AIRCRAFT		SEATS AND FITTINGS		Cl. of St.	Plate and Illust'n No.
Page GK. 2				No. off	Matl. Spec.		
Ref. No.	Part No.	1	2			3	4
	1568V7728						GK1/22
	1569V7728						GK1/23
9484	5N1435						
9485	6N1435						
6D/1465	—						
	11N1434						
12084	12N1434						
1433219	10N1434						
	3N1434						
	9N1434						MR
	4N1434						MR
	9aN1434						C
	4aN1434						C
	3aZ6461						C
	10gN1435						
	3GZ6461						
	21N1433						
	35N1433						GK1/24
	22N1433						
	36N1433						GK1/25
6D/2517	—						GK1/26
	1N2371						MR
	4N2371						
	3N2371						
	2N2371						
27L/50091	—						A
27L/50165	—						A
or							
27L/50166	—						A
27L/50093	—						A
27L/50167	—						A
or							
27L/50168	—						A

VULCAN Mk. 2

EQUIPMENT AIRCRAFT
SEATS AND FITTINGS

Page GK. 3

Ref. No.	Part No.	Description	No. off	Matl. Spec.	Cl. of St.	Plate and Illust'n No.
					M.R.	
		1 2 3 4				
		MOUNTING, 1st AND 2nd PILOT'S EJECTION SEAT (1 & 2N1433) (Mod. 628) (Mod. 1789) (Cont'd)				
5X/4491488	15V5650	Socket, single	6	—	C	GK1/30
		STOWAGE, FIRST AID ON 2nd PILOT'S GUIDE RAIL (1Z9735)				GK1/31
		Spares for:—				
	2Z9735	Bracket, attachment	1	—		GK1/32
	3Z9735	Bracket, attachment	1	—		GK1/33
13300	4Z9735	MOUNTING, FIRST AID STOWAGE, GROUP	1	—	C	GK1/34
		Spares for:—				
	6Z9735	Plate, mounting	1	—		GK1/35
	2Z7515	Stowage, first aid	1	—		GK1/36
6D/3450	DAS412G	PIPE, flexible	1	—		
	7N1268	TUBE, MAIN, GROUP	1	—		GK1/37
	8N1268	TUBE, SIDE, GROUP	1	—		GK1/38
	19N1433	Washer, special (at bracket 18N1433)	4	—		GK1/39
		MOUNTING, REAR CREW MEMBER'S SEATS (N3291)				
		Spares for:—				
17893	1N3288	SEAT, SLIDING, CENTRE CREW MEMBER'S, GROUP	1	—	A	GK2/40
	2N3291	SEAT, PORT, CREW MEMBER'S, GROUP	1	—		GK3/41
	3N3291	SEAT, STARBOARD, CREW MEMBER'S, GROUP	1	—		GK3/42
		Spares for:—				
	HANDLEY PAGE LTD. S1/003/1	ADAPTOR, GROUP, PORT	1	—		GK3/43
	HANDLEY PAGE LTD. S1/003/2	ADAPTOR, GROUP, STARBOARD	1	—	MR	GK3/44
	2N3139	Bracket, attachment	1	—		
	3N3139	Bracket, attachment	1	—		
	4N3288	CATCH, SUPPORT, GROUP	1	—		GK2/45
		Spares for:—				
17289	4bN3288	Lever, catch	2	—	C	
17290	240SS4700	Spring, leaf	2	—	C	
	5N3288	CATCH, SUPPORT, GROUP	1	—		GK2/46
		(Breakdown as item 4N3288)				
17278	5N3291	Guard	1	—	C	
17279	6N3291	Guard	1	—	C	

EQUIPMENT AIRCRAFT
SEATS AND FITTINGS

Ref. No.	Part No.	Description	No. off	Matl. Spec.	Cl. of St.	Plate and Illust'n No.
					M.R.	
		1 2 3 4				
		ADAPTOR, GROUP, PORT AND STARBOARD (S1/003/1 & 2) (Cont'd)				
28P/1011034	SP9/E12	Pin, split	4	—	C	
27HS/20099	892312C15	Rod	1	—	C	
27HS/4527317	S1/011/2	Roller	4	—	C	
27HS/4527251	S151/3/4 x 16G x N7	Spring	1	—	C	
27HS/20078	805172C16	TUBE, ASSEMBLY	1	—	C	
27HS/4527288	S1/002/3	Washer	4	—	C	
	S1/003/3	Washer (Make from 28W/9419478 by opening up to 1/2" dia.)	4	—		
	2N3139	Bracket, attachment	1	—		
	3N3139	Bracket, attachment	1	—		
	4N3288	CATCH, SUPPORT, GROUP	1	—		GK2/45
		Spares for:—				
17289	4bN3288	Lever, catch	2	—	C	
17290	240SS4700	Spring, leaf	2	—	C	
	5N3288	CATCH, SUPPORT, GROUP	1	—		GK2/46
		(Breakdown as item 4N3288)				
17278	5N3291	Guard	1	—		
17279	6N3291	Guard	1	—		
17292	23N3288	CUSHION, SEAT, GROUP	1	—	B	GK2/47
1510089	8N3288	Hook, support	2	—		GK2/48
	16N3288	HOSE, CENTRE SEAT, GROUP	1	—	MR	GK2/49
		Spares for:—				
	DUNLOP DAS412/E/18	Hose, 5/8" bore	1	—	MR	GK2/60
9203	43N1306	LINK, GROUP	2	—		GK2/51
17205	M.L. AVIATION TR4127/1E	PACK, ASSISTER AND HARNESS RELEASE, GROUP	1	—	A	GK2/52
		Spares for:—				
	TR4127/47A	Arm, lever	1	—		
17332	TR4127/6A	Adaptor	1	—	C	
17345	TR4127/27	Bolt	1	—	C	
27HS/4527262	MX2468-249B	Bottle, air	1	—	A	
	TR4127/40A	Block, lock	1	—		
	TR4127/27A	Bracket, pivot	1	—		
	TR4127/39C	BAG, ASSISTER, CUSHION, GROUP	1	—		
		Spares for:—				
1433166	TR4127/32D	Bladder	1	—	C	
1433167	TR4127/34B	Cover	1	—	C	

VULCAN Mk. 2

EQUIPMENT AIRCRAFT
SEATS AND FITTINGS

Page GK. 5

Ref. No.	Part No.	Description	No. off	Matl. Spec.	Cl. of St.	Plate and Illust'n No.
					M.R.	
		1 2 3 4				
		PACK, ASSISTER AND HARNESS RELEASE, GROUP (TR4127/1E) (Cont'd)				
17337	TR4127/29B	Cap, end	1	—	C	
	TR4127/64A	Collar	1	—	MR	
	TR4127/67C	Cushion	1	—		
	TR4127/58B	Guard	1	—		
	TR4127/45B	Handle, operating	1	—		
	TR4127/12A	LEVER GROUP	—	—		
	TR4127/55C	Lock, harness	1	—	MR	
	TR4127/56C	Lock, harness	1	—	MR	
	TR4127/65A	Pin	2	—		
	TR4127/66A	Pin	1	—		
	TR4127/44B	Pin, safety	1	—		
17340	28W2/101/8/9/12	Pipe, flexible	2	—	C	
17341	28W2/101/8/8/26	Pipe, flexible	1	—	C	
	28W2/101/8/9/19	Pipe, flexible	1	—	MR	
17346	TR4127/84A	Pipe, inlet	1	—	C	
	TR4127/23C	Plate, side (63rd Assy., onwards)	1	—		
	TR4127/91C	Plate, side (1st to 62nd Assy.)	1	—		
17334	TR4127/25A	SPRING, HANDLE RETURN, GROUP ...	1	—	C	
17335	TR4127/86A	Spring	1	—	C	
	TR4127/62A	Stop	1	—		
	TR4127/43A	Turnbuckle	1	—		
1505136	TR4127/96A	Union, cruciform	1	—	C	
	TR4127/88A	Washer, sealing	1	—		
1433994	TR4127/46A	Washer, special	1	—	MR	
	DUNLOP					
27VA/4625590	ACM24792	Valve, sequence	1	—		
17291	6N3288	POCKET, HARNESS, CENTRE SEAT, GROUP	2	—	C	GK2/53
17293	18N3288	REST, HEAD CENTRE SEAT, GROUP	1	—	B	GK2/54
		SLIDE AND LOCKING MECHANISM, CENTRE SEAT (N3287)				
		Spares for:—				
17298	12N3287	Bearing	4	—	C	GK2/85
17308	23N3287	Bolt, special	4	—	C	GK2/86
	25N3287	Bolt, special	2	—		GK2/87
	19N3287	BRACKET, LEVER, GROUP	1	—		GK2/88
17306	21N3287	Bush	8	—	C	CK2/89
17311	30N3287	CABLE GROUP	1	—	B	GK2/90
	26N3287	GUIDE, CABLE, GROUP	1	—		GK2/91

EQUIPMENT AIRCRAFT

SEATS AND FITTINGS

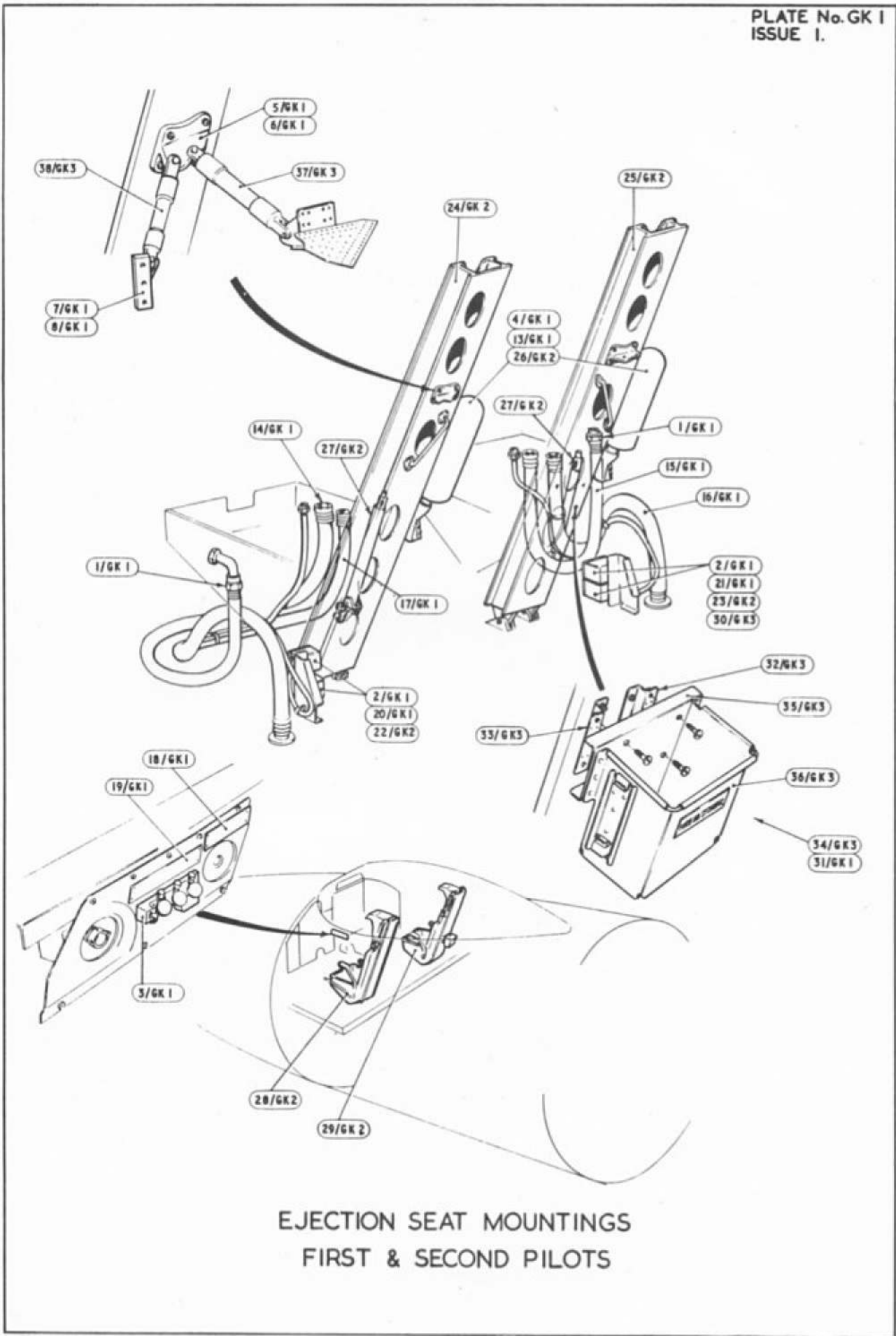
Ref. No.	Part No.	Description	No. off	Matl. Spec.	Cl. of	Plate and Illust'n No.
					St. M.R.	
		1 2 3 4				
SLIDE AND LOCKING MECHANISM CENTRE SEAT (1N3287) (Cont'd)						
17303	28N3287	GUARD GROUP	1	—	C	GK2/92
17304	29N3287	GUARD GROUP	1	—	C	GK2/93
17295	3N3287	Lever	1	—	C	GK2/94
17296	4N3287	Lever	1	—	C	GK2/95
	11N3287	LEVER GROUP	1	—		GK2/96
17309	24N3287	Nut, special	2	—	C	GK2/97
	13N3287	ROD, TIE, GROUP	2	—		GK2/98
		Spares for:—				
17299	13aN3287	Bolt, eye	1	—	C	
	13bN3287	Fitting, end	1	—		
17300	13cN3287	Plunger	1	—	C	
17301	239SS4700	Spring	1	—	C	
	238SS4700	Spring	1	—	MR	GK2/99
17302	18N3287	Strip, adjusting	1	—	C	GK2/100
	2N3287	Support, front	2	—		GK2/101
	5N3287	TUBE, CROSS, GROUP	1	—		GK2/102
		Consisting of:—				
	6N3287	Fitting, End	1	—		GK2/103
	7N3287	Fitting, End	1	—		GK2/104
17297	10N3287	TURNBARREL GROUP	2	—	C	GK2/105
17307	22N3287	Washer, thrust	8	—	C	GK2/106
	1AC3237	Strap, top	1	—		GK2/107
SLIDE RAIL MOUNTING FOR SWIVEL SEATS, PORT & STBD. (1 & 2N3289)						
		Spares for:—				
17286	11N3289	Bolt, special	2	—	C	GK2/108
17287	12N3289	Bolt, special	2	—	C	GK2/109
	HANDLEY PAGE					
17288	S1-008-2	RAIL, SLIDE, STARBOARD, GROUP	1	—	B	GK2/110
27HS/4527318	S1-008-1	RAIL, SLIDE, PORT, GROUP	1	—	B	GK2/111
		Spares for:—				
	S1-008-8	Block	2	—		
28D/1214091	AS.1242/2C	Bolt	8	—	C	
28D/8308	AS.1242/3C	Bolt	8	—	C	
28D/1007976	AS.1242/4C	Bolt	6	—	C	
28D/1013172	AS.1242/5C	Bolt	4	—	C	
28D/1204937	AS.1242/6C	Bolt	4	—	C	
28D/1007948	AS1242/7C	Bolt	6	—	C	

VULCAN Mk. 2

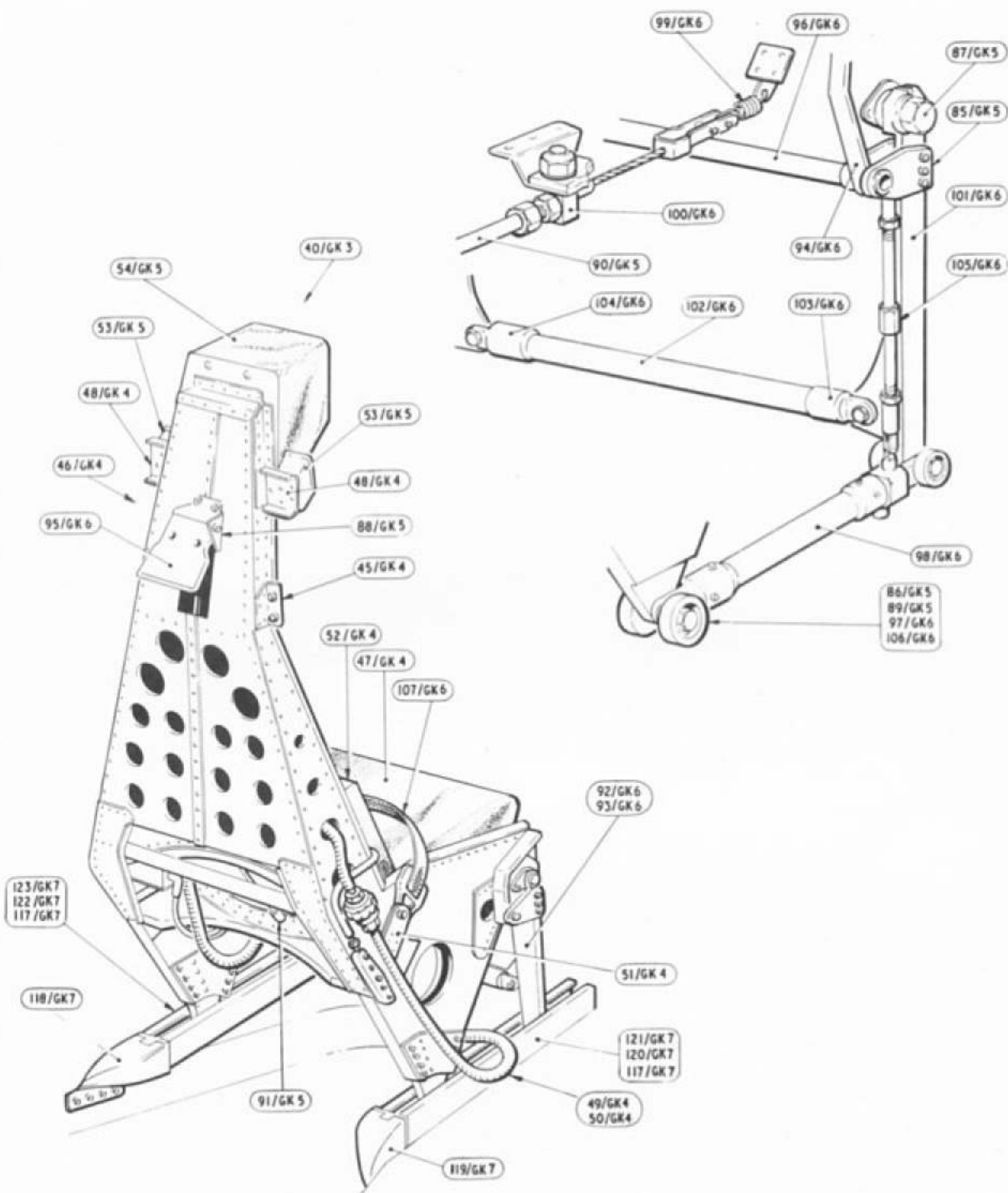
EQUIPMENT AIRCRAFT

SEATS AND FITTINGS

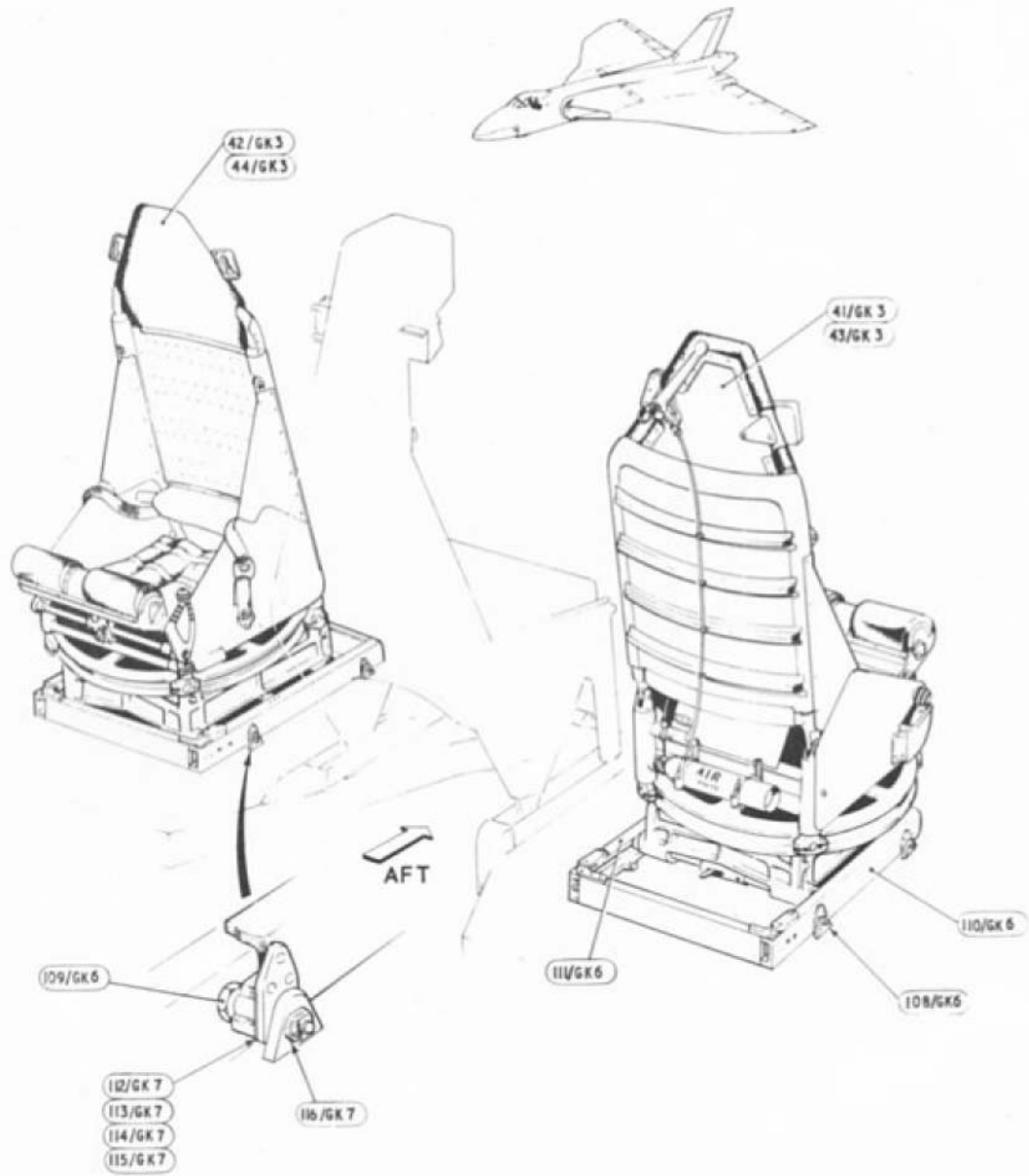
Ref. No.	Part No.	Description				No. off	Matl. Spec.	Cl. of St.	Plate and Illust'n No.
		1	2	3	4			M.R.	
		RAIL, SLIDE, PORT AND STARBOARD (S1-008-1 & 2) (Cont'd)							
28D/1013173	AS1242-10C					8	-	C	
	S1-008-5					1	-		
28M/1006473	A27/CT					40	-	C	
28M/10288	AGS2001/C1					40	-	C	
	S1-008/11					2	-		
	S1-008/3					2	-		
	S1-008/20					1	-		
	S1-008/22					1	-		
	S1-008/21					1	-		
	S1-008/23					1	-		
	S1-008/9					4	-		
	S1-008/10					8	-		
28W/9419475	SP15/C					40	-	C	
	6N3289					4	-		GK2/112
	7N3289					4	-		GK2/113
	8N3289					4	-		GK2/114
	9N3289					4	-		GK2/115
	13N3289					2	-		GK2/116
		SLIDE RAIL MOUNTING FOR SWIVEL SEAT CENTRE (D12982) (Pre-Mod. 2147)							
		SLIDE RAIL MOUNTING FOR SWIVEL SEAT CENTRE (D13272) (Mod. 2147)							
		Spares for:-							
17284	6D12982					8	-		GK2/117
	9D13272					1	-		GK2/118
	10D13272					1	-		GK2/119
17280	2D12982					-	-		GK2/120
	2D13272					-	-		GK2/121
17282	5D12982					2	S96		
	6aD12982					1	L65		
17281	4D12982					1	-		
17283	3D12982					-	-		GK2/122
	3D13272					-	-		GK2/123
		Spares for:-							
17282	5D12982					2	S96		
	3aD12982					1	-		
17281	4D12982					1	-		



EJECTION SEAT MOUNTINGS
FIRST & SECOND PILOTS



CREW CENTRE SEAT
SEATS AND FITTINGS



CREW'S SEATS PORT & STBD.
SEATS AND FITTINGS

This file was downloaded
from the RTFM Library.

Link: www.scottbouch.com/rtfm

Please see site for usage terms,
and more aircraft documents.

