

VULCAN Mk. 2

EQUIPMENT AIRCRAFT
VENTILATED SUIT SYSTEM

Page GQ. 1

Ref. No.	Part No.	Description	No. off	Matl. Spec.	Cl. of St.	Plate and Illust'n No.
					M.R.	
		1 2 3 4				
		VENTILATED SUIT SYSTEM (Z9303 & Z9926) Spares for:— VENTILATED SUIT SYSTEM CREW'S NACELLE (Z9926 (Mod. 687)) Spares for:—				
	47Z11270	Adaptor	1	—		GQ2/1
28F/4051569	AGS1103/E	Body, union, for heater pipes	9	—	C	GQ2/2
28F/4051558	AGS1103/H	Body, union, for feed pipes	15	—		GQ2/3
	KING A/C					
8946	C4205/1-3/4 2B	Clamp, at feed duct	2	—	C	GQ2/4
26FP/2453	1SS3859	Clip, for pipes	2	—	C	
26FP/13421	14SS3859	Clip, for pipes	19	—	C	
	8SS3859	Clip, for pipes	7	—		
	30SS3859	Clip, for pipes	2	—		
	240SS4095	Clip, Fokker	1	—	MR	
	12SS1862	Clip, Fokker	1	—	MR	
8502	42Z9596	Duct, feed, rear pressure bulkhead to manifold	1	—	MR	GQ1/5
	25Z9926	FAIRLEAD, GROUP	1	—		
		HEATER, VENT SUIT UNDER CREW'S FLOOR, CENTRE CREW'S POSITION (8Z9926) Spares for:—				GQ2/6
8506	63Z9596	Bracket	2	L72	C	
8503	7Z9596	DUCT, HEATER, GROUP	2	—	C	
	51Z9596	DUCT, HEATER, GROUP	1	—		
	15Z9596	Gasket "Hallite" 1/16" x 4.38" dia.	2	DTD378A	MR	
5UD/7359	PLANNAIR 1000-354H- Mod. 1	Heater	1	—	A	
5CZ/4337690	PLESSEY CZ107204	Thermister	1	—	A	
8507	155Z9596	Washer, securing	1	L72	C	
		HEATER, VENT SUIT UNDER NAVIGATOR'S TABLE, CREW'S POSITION, PORT (9Z9926) Spares for:—				GQ2/7
8506	63Z9596	Bracket	2	L72	C	
8503	7Z9596	DUCT, HEATER, GROUP	1	—	C	
	51Z9596	DUCT, INLET HEATER, GROUP	1	—		
	15Z9596	Gasket, "Hallite" 1/16" x 4.38" dia.	1	DTD378A	MR	
5UD/7359	PLANNAIR 100-35H- Mod. 1	Heater	1	—	A	

EQUIPMENT – AIRCRAFT
VENTILATED SUIT SYSTEM

Ref. No.	Part No.	Description				No. off	Matl. Spec.	Cl. of St.	Plate and Illust'n No.
		1	2	3	4			M.R.	
		HEATER VENT SUIT UNDER NAVIGATOR'S TABLE, CREW'S POSITION, PORT (9Z9926) (Continued)							
5CZ/4337690 8507	PLESSEY CZ107204 155Z9596					1	—	A	
						1	L72	C	
	101Z9596					1	—		GQ2/8
	102Z9596					1			GQ2/9
8509	99Z9596					2	L72	C	
8510	100Z9596					2	L72	C	
8504	5Z9596					2	—	C	
8503	7Z9596					—	—		
	15Z9596 PLANNAIR 1000-354H- Mod. 1					4	DTD378A	MR	
5UD/4388637	PLESSEY CZ107204 155Z9596					2	—	A	
5CZ/4337690 8507						2	—	A	
						2	L72	C	
		HEATER & MULTI-SERVICE CONNECTOR, PERSONAL EQUIPMENT, AT BOMB AIMERS STATION (1Z9890) Spares for:—							
6D/1422220 5X/6200370	M.L. AVIATION JC1669/178D 1V5650					1	—	C	GQ3/10
						2	—	C	GQ3/11
	20Z9596					1	—		GQ3/12
	364SS6004					1	L59		
7955 21419	AY5/SS4234 AY11/SS4234 AY7/SS4234 AY3/SS4234					4	—	C	GQ3/13
						4	—	C	GQ3/14
						4	—		GQ3/15
						3	—		GQ3/16
	33Z11270					2	—		GQ3/17
21417	1SS4702					1	—	C	GQ3/18
5CZ/4337689	7CZ/107202					1	—	A	GQ3/19
21427	5Z11273					1	—	C	GQ3/20

VULCAN Mk. 2

EQUIPMENT AIRCRAFT
VENTILATED SUIT SYSTEM

Page GQ. 3

Ref. No.	Part No.	Description	No. off	Matl. Spec.	Cl. of St.	Plate and Illust'n No.
					M.R.	
		1 2 3 4				
		HEATER AND SERVICE CONNECTOR PERSONAL EQUIPMENT AT BOMB AIMER'S STATION (1Z9890) (Cont'd)				
	15Z9890	HEATER, ASSEMBLY, GROUP	1	—		GQ3/21
		Spares for:—				
	31Z9596	Bracket	2	L72		GQ3/22
	4SS4485	Clip, identification	1	—		GQ3/23
8504	5Z9596	DUCT, HEATER, GROUP	1	—	C	GQ3/24
21420	26Z9890	DUCT, HEATER, GROUP	1	—	C	GQ3/25
	15Z9596	Gasket, "Hallite" 1/16" thick x 4.7" dia.	2	DTD387A	MR	GQ3/26
	11Z9890	Guard, for heater	1	Fibreglass		GQ3/27
	PLANNAIR 1000-354H-					
	Mod. 1	Heater	1	—	A	GQ3/28
5UD/4388637	CZ107204	Thermister	1	—	A	GQ3/29
5CZ/4337690	155Z9596	Washer, securing	1	—	C	GQ3/30
8507	DUNLOP DAS412G/60	Hose, flex, 7/8" i/d (L/M from	1	—		GQ3/31
		26DC/9857)				
	DUNLOP DAS412E/18	Hose, flex, 5/8" i/d	1	—		GQ3/32
	21Z9197	Hose, rubber, 7/16" i/d x 1-1/4" o/d x	1	—	MR	GQ3/33
		2.5"				
	10Z11295	LEAD, WANDER, GROUP	1	—	MR	GQ3/34
	30Z9890	PANEL, SUPPORT, GROUP	1	—		GQ3/35
	73Z9596	Piece, packing, 1" x 2.25" x .25"	2	BSS668		GQ3/36
10710	9Z9890	PIPE, HOSE CONNECTION TO BOMB	1	—	C	GQ3/37
		AIMER'S PANEL, GROUP				
21418	25Z9890	PIPE, HEATER TO MANUAL CONTROL	1	—	C	GQ3/38
		VALVE, GROUP				
21426	4Z11273	Shackle	1	—	C	GQ3/39
	DUNLOP					
27VA/2224239	AL06580	Socket, quick release (Mod. 1696)	1	—	B	GQ3/40
5X/4491488	15V5650	Socket, single	8	—	C	GQ3/41
5X/4491487	14V5650	Socket, double	1	—	C	GQ3/42
	34Z11270	Strap, leather	1	—		GQ3/43
	PLESSEY					
5CZ/4337688	7CZ107201	Switch	1	—	A	GQ3/44
	NORMALAIR					
27KD/4630426	513390	Valve, manual control	1	—	A	GQ3/45
	35Z11270	Washer	2	—		GQ3/46

EQUIPMENT AIRCRAFT
VENTILATED SUIT SYSTEM

Ref. No.	Part No.	Description	No. off	Matl. Spec.	Cl. of St.	Plate and Illust'n No.
					M.R.	
		1 2 3 4				
		VENTILATED SUIT SYSTEM CREW'S NACELLE (Z9926) (Cont'd)				
		HEATER, VENT SUIT, UNDER NAVIGATOR'S TABLE, STARBOARD (12Z9926)				GQ2/47
		Spares for:—				
8506	63Z9596	Bracket	2	L72	C	
8504	5Z9596	DUCT, INLET HEATER, GROUP	1	—	C	
	14Z9926	DUCT, HEATER, GROUP	1	—		
	15Z9596	Gasket, "Hallite" 1/16" x 4.38" dia.	1	—	MR	
5UD/4388637	PLANNAIR 1000-354H— Mod. 1	Heater	1	—	A	
5CZ/4337690	PLESSEY CZ107204	Thermister	1	—	A	
8507	155Z9596	Washer, securing	1	L72	C	
21587	2Z11270	HOSE, CONTROL VALVE TO UNION, GROUP (Mod. 1696)	2	—	C	GQ1/48
21588	6Z11270	HOSE TO PANEL, BETWEEN FORMER 274 & FORMER 288, GROUP (Mod. 1696)	2	—	C	GQ1/49
	108Z9596	PIPE, HEATER TO VALVE 2nd PILOT'S, 20G x 5/8" o/d x 2' 0" LONG APPROX., GROUP	—	L56		GQ1/50
8489	93Z9596	PIPE, FEED 2nd PILOT'S, 20G x 1" o/d x 5' 6" LONG APPROX., GROUP (Pre-Mod. 2275)	1	L56	C	GQ1/51
8484	94Z9596	PIPE, FEED AT FORMER 232 BOMB AIMER'S 20G x 1" o/d x 5' 0" LONG APPROX., GROUP	1	L56	C	GQ1/52
8490	95Z9596	PIPE, FEED 2nd PILOT'S 20G x 1" o/d x 4' 0" LONG APPROX., GROUP	1	L56	C	GQ1/53
9013	171Z9596	PIPE, STARBOARD, HEATER TO MANIFOLD, 1" o/d x 20G x 3' 6" LONG APPROX., GROUP	1	L56	C	GQ1/54
8496	97Z9596	PIPE, FROM PORT HEATER TO MANIFOLD, 1" o/d x 20G x 2' 0" LONG APPROX., GROUP	1	L56	C	GQ1/55
8481	83Z9596	PIPE, FEED, BOMB AIMER'S POSITION 20G x 1" o/d x 5' 0" LONG APPROX., GROUP	1	L56	C	GQ1/56

EQUIPMENT AIRCRAFT
VENTILATED SUIT SYSTEM

Ref. No.	Part No.	Description	No. off	Mati. Spec.	Cl. of	Plate and Illust'n No.
					St. M.R.	
		1 2 3 4				
		VENTILATED SUIT SYSTEM, CREW'S NACELLE (Z9926) (Cont'd)				
11584	42Z9926	PIPE, 2nd PILOT'S BETWEEN FORMERS ... 330 & 316 O/B., 20G x 1" o/d x 5' 6" LONG APPROX., GROUP	1	L56	C	GQ1/57
	43Z9926	PIPE, FEED 2nd PILOT'S, 20G x 1" o/d x ... 2' 9" LONG APPROX., GROUP	1	L56	MR	GQ1/58
8493	123Z9596	PIPE, FEED 1st PILOT'S, STARBOARD, 20G x 1" o/d x 3' 6" LONG APPROX., GROUP	1	L56	C	GQ1/59
8483	90Z9596	PIPE, BETWEEN FORMERS 316 & 274 20G x 1" o/d x 5' 11" LONG APPROX., GROUP	1	L56	C	GQ1/60
8494	91Z9596	PIPE, BETWEEN FORMERS 330 & 302, PORT, 20G x 1" o/d x 6' 0" LONG APPROX., GROUP (Pre-Mod. 2275)	1	L56	C	GQ1/61
8495	92Z9596	PIPE, BETWEEN FORMERS 316 & 274, PORT, 20G x 1" o/d x 4' 0" LONG APPROX., GROUP (Pre-Mod. 2275)	1	L56	C	GQ1/62
8491	121Z9596	PIPE, FEED, 1st PILOT'S, 20G x 1" o/d x ... 5' 6" LONG APPROX., I/B, GROUP	1	L56	C	GQ1/63
8492	122Z9596	PIPE, FEED, 1st PILOT'S, 20G x 1" o/d x ... 5' 6" LONG APPROX., O/B, GROUP	1	L56	C	GQ1/64
	47Z9596	PIPE, ALONGSIDE FEED DUCT, BETWEEN FORMERS 216 & 232 I/B, 22G x 3/16" x 5' 6" LONG, GROUP	1	L56		GQ1/65
8488	125Z9596	PIPE, FEED TO 2nd PILOT'S, 20G x 1' 0" x 2' 0" LONG, GROUP	1	L56	C	GQ1/66
21583	48Z11270	PIPE, FEED, STBD. SIDE, BETWEEN FORMERS 246-260 5/8" o/d x 20G x 3' 6" LONG, GROUP	1	-	C	GQ1/67
21592	17Z9926	PIPE, FEED, PORT, JOINT AT FORMER ... 232 TO HEATER 5/8" o/d x 20G x 4' 6" LONG, GROUP	1	-	C	GQ1/68
	3211270	PIPE, CONTROL VALVE TO TEE-PIECE ... UNION, GROUP	1	-		GQ1/69

EQUIPMENT AIRCRAFT
VENTILATED SUIT SYSTEM

Ref. No.	Part No.	Description	No. off	Matl. Spec.	Cl. of	Plate and Illust'n No.
					St. M.R.	
		1 2 3 4				
		VENTILATED SUIT SYSTEM, CREW'S NACELLE (Z9926) (Cont'd)				
	18Z9926	PIPE, FEED, PORT SIDE, FROM JOINT AT FORMER 232 TO COUPLING AT FORMER 260, 5/8" o/d x 20G x 4' 0" LONG, GROUP	1	—		GQ1/70
21584	20Z9926	PIPE, FEED, STARBOARD SIDE, FROM . . . ADAPTOR IN FLOOR TO COUPLING AT FORMER 232, 5/8" o/d x 20G x 3' 6" LONG, GROUP	1	—	C	GQ1/71
		PIPE, STUB, FOR FEED PIPES BETWEEN FORMERS 246-260, 5/8" o/d x 20G x 12" LONG, GROUP (Pre-Mod. 1696)	2	—		
21590	23Z9926	PIPE, FEED, PORT SIDE, MANIFOLD & HOSE CONNECTION, BETWEEN FORMERS 218-232, 1" o/d x 20G x 2' 6" LONG, GROUP	1	—	C	GQ1/72
21589	35Z9926	PIPE, FEED, STBD. SIDE, FROM TEE PIECE AT FORMER 260, TO JOINT AT FORMER 274, GROUP	1	—	C	GQ1/73
21585	36Z9926	PIPE, FEED, STARBOARD SIDE, FROM . . . COUPLING TO COUPLING AT FORMER 274, GROUP	1	—	C	GQ1/74
21591	38Z9926	PIPE, FEED, PORT SIDE, FROM COUPLING, TO COUPLING AT FORMER 274, GROUP	1	—	C	GQ1/75
	29Z11270	PIPE, FEED, STARBOARD SIDE, FROM . . . ELBOW JOINT, TO JOINT AT FORMER 232, GROUP	1	—		GQ1/76
21582	40Z9926	PIPE, CENTRE, HEATER AT FORMER 232, 5/8" o/d x 20G x 3' 6" LONG, GROUP	1	—	C	GQ1/77
21595	41Z9926	PIPE, FEED, PORT SIDE, COUPLING TO . . . TEE PIECE, AT FORMER 274, GROUP	1	—	C	GQ1/78
21586	49Z11270	PIPE, CONTROL VALVE TO UNION AT . . . FORMER 232, GROUP	1	L56	C	GQ1/79
	51Z9926	Pipe, feed 20G x 5/8" o/d (Mod. 2147)	1	L56		GQ1/80

VULCAN Mk. 2

EQUIPMENT AIRCRAFT
VENTILATED SUIT SYSTEM

Page GQ. 7

Ref. No.	Part No.	Description	No. off	Matl. Spec.	Cl. of St.	Plate and Illust'n No.
					M.R.	
		1 2 3 4				
		VENTILATED SUIT SYSTEM, CREW'S NACELLE (Z9926) (Cont'd)				
5CZ/4337689	PLESSEY 7CZ107202	Regulator, current, under floor at former 330 . Attachments for regulator Part No. 7CZ/ 107202	2	—	A	GQ2/83
28D/9436920	A25/1C	Bolt	20	—	C	
28D/1011029	A25/1E	Bolt	15	—	C	
28W/9419405	SP15/E	Washer	15	—	C	
28W/9419475	SP15/C	Washer	20	—	C	
	J. WALKER 54866/3	Seal, at feed duct RPB to manifold	3	—	C	GQ2/84
27KD/972	NORMALAIR 513090	Unit, manifold (Pre-Mod. 880)	1	—	A	
	NORMALAIR 513090,Mod9BY	Unit, manifold (Mod. 880) (Pre-Mod. 1263) ..	1	—		
	NORMALAIR 513090Mod13BY	Unit, manifold (Mod. 1263) (Pre-Mod. 1829) .	1	—		
	NORMALAIR 527660Mod17BY	Unit, manifold (Mod. 1829)	1	—		GQ2/85
		Attachments for Manifold Part No. 513090				
28D/9133012	A25/3C	Bolt	4	—	C	
28D/9133011	A25/2C	Bolt	4	—	C	
28M/1012015	AGS2001/C1/66	Nut	4	—	C	
28W/9419475	SP15/C	Washer	4	—	C	
28W/9419454	SP10/C	Washer	4	—	C	
	FAC102/006	Valve, flow control (Mod. 1696)	2	—		GQ2/86
		(Alternative D12814)				
		VENT, SUIT SYSTEM, AT REAR PRESSURE BULKHEAD (30Z9926)				
		Spares for:—				
	39Z9148	Adaptor, bulkhead	1	L65		GQ4/135
	40Z9148	Adaptor, bulkhead	1	L65		GQ4/136
	33SS3555	Adaptor, bulkhead	1	—		GQ4/137
	38Z9148	Adaptor, ram air valve	1	L65	MR	GQ4/138
	KING A/C					
8946	C4205/1-3/4-2B	Clamp	2	—	C	GQ4/139
8957	41Z9148	Gasket, "Hallite" 1/16" thick x 4.6" dia. . .	1	DTD378A	C	GQ4/140
	120Z9148	Hose, connector 1" i/d x 1.25" x 2" long . .	6	DTD625		GQ4/141
8958	42Z9148	Seal, "Hallite" 1/16" thick x 3.3" dia.	2	DTD378A	C	GQ4/142
	BESTOBELL AS50403	Seal, for clamp	2	—	C	GQ4/143
	135Z9596	VALVE, NON-RETURN, GROUP	1	—		GQ4/144
		Spares for:—				
	269SS6005	Label	1	L59		
27KD/980	NORMALAIR 512990	Valve, non-return	1	—	A	

EQUIPMENT AIRCRAFT
VENTILATED SUIT SYSTEM

Ref. No.	Part No.	Description	No. off	Matl. Spec.	Cl. of St.	Plate and Illust'n No.
					M.R.	
		1 2 3 4				
		VENTILATED SUIT SYSTEM, AFT REAR PRESSURE BULKHEAD (118Z9303) (Mod. 1315) Spares for:—				
27KD/4631807	NORMALAIR 515950/114FC TEDDINGTON CONTROLS	Augmentor flow (Mod. 2110)	1	—	A	GQ2/87
27V/5334 11487	SSBA461 116Z9303 34Z9148 114Z9303 115Z9303	Bellows	1	—	A	GQ2/85
		Bolt, special	4	—	C	GQ4/89
		Bush, for heat exchanger, 5/8" dia.	4	S1		GQ2/90
		Cap, for saddle bracket, fwd	1	—		GQ4/91
		Cap, for saddle bracket, aft	1	—		GQ4/92
13715	25Z9303	CHAMBER, EXHAUST BETWEEN EXHAUST DUCTS, GROUP	1	—	C	GQ2/93
8945	KING A/C C4205/1-1/4— 1-1/2B	Clamp, for 1-1/2" dia. duct	9	—	C	GQ4/94
8946	KING A/C C4205/1-3/4—2B KING A/C C4205/2-1/4—	Clamp, for 2" dia. duct	10	—	C	GQ4/95
8947	2-1/2E	Clamp, for 2-1/2" dia. duct	1	—	C	GQ4/96
26FP/13898	15SS3264	Clip, for pipes, 1-1/8" dia. pipes	3	—	C	
26FP/13899	28SS3264	Clip, for pipes, 2" dia. pipes	1	—	C	
	1AS4525	Clip, for pipes, 3/16" dia. pipes	5	—		
	2AS4525	Clip, for pipes, 1-1/4" dia. pipes	1	—		
	30SS3859	Clip, for pipes, 2" dia. pipes	1	—	MR	
	2SS4485	Clip, at heat exchange elbow	2	—		
27KD/4631534	NORMALAIR 504300	Coupling, Ground Connection	1	—	A	GQ1/97
10300	16Z9303	DUCT, AIR INTAKE TO COOLING DUCT, ... GROUP	1	—	C	GQ4/98
	16dZ9303	Spares for:— Seal	1	—	MR	
22330	17Z9303	DUCT, DELIVERY FROM REAR PRESSURE BULKHEAD TO FILTER, GROUP	1	—	C	GQ1/99
22331	71Z9303	DUCT, DELIVERY FROM FILTER TO HEAT EXCHANGER, GROUP	1	—	C	GQ1/100
22338	72Z9303	DUCT, DELIVERY FROM HEAT	1	—	C	GQ1/101
		EXCHANGER TO GROUND FEED AND BRANCH DUCT, GROUP				
22334	21Z9303	DUCT, FEED, FROM REAR OF	1	—	C	GQ1/102
		AUGMENTOR FLOW TO BRANCH DUCT, GROUP				
	98Z9303	DUCT, FROM AUGMENTOR FLOW TO DUCT, WATER EXTRACTOR, GROUP	1	—	MR	GQ1/103

EQUIPMENT AIRCRAFT
VENTILATED SUIT SYSTEM

Ref. No.	Part No.	Description				No. off	Matl. Spec.	Cl. of	Plate
		1	2	3	4			St. M.R.	and Illust'n No.
		VENTILATED SUIT SYSTEM AFT REAR PRESSURE BULKHEAD, PORT (118Z9303) (Cont'd)							
22326	23Z9303	DUCT, EXHAUST FROM SHUT-OFF VALVE TO EXHAUST CHAMBER, GROUP				1	—	C	GQ1/109
22337	24Z9303	DUCT, EXHAUST FROM COOLER DUCT .. TO COOLER TURBINE, GROUP ATTACHMENTS- EXHAUST DUCT, PART No. 24Z9303				1	—	C	GQ2/105
28D/9133011 28M/1012015 28W/9419475	A25/2C AGS2001/C1/66 SP15/C	Bolt, 2 BA				26	—	C	
		Nut, 2 BA				26	—	C	
		Washer, 2 BA				26	—	C	
	26Z9303	DUCT, GROUND FEED TO GROUND CONNECTION COUPLING, GROUP				1	—	MR	GQ1/106
22327	34Z9303	DUCT, FEED, FROM BELLOWS TO SHUT-OFF VALVE, GROUP				1	—	C	GQ1/107
22329	37Z9303	DUCT, BRANCH, FROM COOLING DUCT .. TO TURBINE COOLER, GROUP				1	—	C	GQ1/108
	43Z9303	DUCT, COOLING, GROUP				1	—		GQ2/109
10299	15Z9303 MARSTON EXCELSIOR	Spares for:— DUCT, AIR INTAKE, GROUP				1	—	C	GQ4/110
27UA/4612016	D721/1A	Cooler				1	—	A	GQ4/111
28F/1013746	AGS1167/F MARSTON EXCELSIOR	Elbow, for heat exchanger				2	—	C	GQ2/112
27UA/4612017	TD721/2A	Exchanger, heat				1	—	A	GQ2/113
27UA/4612146	518490/Mod.4CE NORMALAIR	Extractor, water				1	—	A	GQ2/114
27KD/4631817	512930	Filter				1	—	A	GQ2/115
	24Z9148	Gasket, "Hallite" 6.0" x 3.0" x 1/32"				1	DTD378A		GQ4/116
	25Z9148	Gasket, "Hallite" 6.5" x 5.25" x 1/32"				1	DTD378A		GQ4/117
8941	46Z9148	Gasket, sealing for exhaust chamber, 1/32" thick x 2" i/d				2	DTD378A		GQ2/118
	80Z9148	Gasket, sealing, for air intake duct, 1/16" thick x 5' 1" x 5' 1"				1	DTD378A		GQ4/119
	8Z9303	Hose, for ground feed duct to ground connection coupling 2" 1/d x 2.5"				1	DTD625		GQ1/120
	111Z9303	DUCT, COOLING, GROUP (Mod. 1235) (See Equipment Aircraft—S.O.O.)							

EQUIPMENT AIRCRAFT
SPECIAL EQUIPMENT VENTILATED SUIT SYSTEM

Ref. No.	Part No.	Description				No. off	Matl. Spec.	Cl. of St.	Plate and Illust'n No.
		1	2	3	4			M.R.	
		VENTILATED SUIT SYSTEM, AFT REAR PRESSURE BULKHEAD, PORT (118Z9303) (Cont'd)							
	102Z9148	Hose, drain tube, 1/4" i/d x 1/2" o/d x 2.75" long				1	DTD625		GQ1/121
22328	32Z9303	Pipe, pneumatic air supply 20G x 3/16" o/d ..				1	DTD323		GQ1/122
22332	73Z9303	PIPE, FEED, FROM HEAT EXCHANGER ... TO EXHAUST CHAMBER, GROUP				1	-	C	GQ1/123
22333	74Z9303	PIPE, FEED FROM HEAT EXCHANGER TO TEMPERATURE CONTROL VALVE, GROUP				1	-	C	GQ1/124
22339	28Z9303	PIPE, FEED FROM TEMPERATURE CONTROL VALVE TO JOINT AT FEED DUCT, GROUP				1	-	C	GQ4/125
	44Z9303	Seal, turbine cooling, 1/16" thick x 2.75 x 2.75				1	DTD762	MR	GQ4/126
28F/4169558	BESTOBELL AS5402	Seal, for 1-1/2" dia. ducting				9	-	C	GQ4/127
28F/4051839	BESTOBELL AS5403	Seal for ducting 2" dia.				11	-	C	GQ4/128
28F/4051853	BESTOBELL AS5404	Seal, for 2-1/2" dia. ducting				1	-	C	GQ4/129
	30Z9303	Tube, drain, from cooling turbine 1/4" o/d x 20G				1	L56	MR	GQ1/130
27UA/780	NORMALAIR 201270-10	Turbine, cooling				1	-	A	GQ4/131
27KD/4665802	NORMALAIR 513010	Valve, temperature control				1	-	A	GQ2/132
27KD/4631895	NORMALAIR 512760	Valve, shut off				1	-	A	GQ4/133
27KD/4631870	NORMALAIR 512510	Valve non-return				1	-	A	GQ4/134
		UNDERHEAT CONTROL, VENT SUIT SYSTEM (8Z9783) Spares for:-							
26FP/2453	1SS3859	Clip, for pipe				2	-	C	GQ4/145
11710	6Z9783	DUCT, FEED, 1-1/2" CONTROL VALVE, .. TO COOLER INLET, GROUP				1	-	C	GQ4/146
11711	9Z9783	DUCT, FROM WATER EXTRACTOR, GROUP				1	-	C	GQ4/147

EQUIPMENT AIRCRAFT
SPECIAL EQUIPMENT VENTILATED SUIT SYSTEM

Ref. No.	Part No.	Description				No. off	Matl. Spec.	Cl. of St.	Plate and Illust'n No.
		1	2	3	4			M.R.	
27KD/4665802	NORMALAIR 517440 8SS4386 4Z9783 5Z9783 NORMALAIR 513010	UNDERHEAT CONTROL, VENT SUIT SYSTEM (8Z9783) (Cont'd)							
					Element, temperature sensing	1	-		GQ4/148
					Nipple	2	-		GQ4/149
					PIPE, FROM TEMPERATURE CONTROL VALVE, TO WATER EXTRACTOR, GROUP	1	-	MR	GQ4/150
					Pipe: 3/16" o/d x 20G x 2' 6" long from temperature control valve to sensing element	1	-	MR	GQ4/151
			Valve, temperature control	1	-	A	GQ4/152		

EQUIPMENT AIRCRAFT
VENTILATED SUIT SYSTEM

Ref. No.	Part No.	Description	No. off	Matl. Spec.	Cl. of St.	Plate and Illust'n No.
					M.R.	
		1 2 3 4				
		VENTILATED SUIT, AUXILIARY AIR SYSTEM (Z12377) (Mod. 2275) Spares for:—				
	20Z12377	Bracket, face blower	1	L72		GQ5/1
		Attachments for Bracket Part No. 20Z12377				
28D/9133012	A25/1C	Bolt, hex. hd., 2 BA	3	—	C	GQ5/2
	25Z12377	CLIP, GROUP	1	—		
		Spares for:—				
26FP/6535	32SS3264	Clip	1	—	C	
	36SS3860	Packing	1	—		
28E/1010245	AS3180/15B	Clip, pipe	6	—		
28E/9450596	AS3180/15C	Clip, pipe	41	—		
5K/2231767	AS4525/16	Clip, support	4	—	C	
5K/9013958	AS4525/18	Clip, support	2	—	C	
		Attachments for Clips Part Nos. 25Z12377, AS3180/15B, AS3180/15C, AS4525/16, AS4525/18				
28D/1218388	AS1248/6B	Bolt, mush. hd., 4 BA	A/R	—	C	
28D/9436920	A25/1C	Bolt, hex. hd., 2 BA	A/R	—	C	
28D/9133011	A25/2C	Bolt, hex. hd., 2 BA	A/R	—	C	
28D/9133012	A25/3C	Bolt, hex. hd., 2 BA	A/R	—	C	
28D/9133013	A25/5C	Bolt, hex. hd., 2 BA	A/R	—	C	
28D/7002428	A25/6C	Bolt, hex. hd., 2 BA	A/R	—	C	
28D/1010030	A25/7C	Bolt, hex. hd., 2 BA	A/R	—	C	
28D/9419397	A25/12C	Bolt, hex. hd., 2 BA	A/R	—	C	
28D/9453970	A25/15C	Bolt, hex. hd., 2 BA	A/R	—	C	
28D/1011021	A25/16C	Bolt, hex. hd., 2 BA	A/R	—	C	
28M/1278189	AGS.2001/B/1	Nut, stiff, 4 BA	A/R	—	C	
28M/1012015	AGS2001/C1/66	Nut, stiff, 2 BA	A/R	—	C	
28W/9419465	SP15/B	Washer, 4 BA	A/R	—	C	
28W/9419475	SP15/C	Washer, 2 BA	A/R	—	C	
28W/9419402	SP13/C	Washer, 2 BA	A/R	—	C	
28E/20410	SP91/B	Clip, hose	3	—	C	GQ5/3
28E/9564061	SP91/D	Clip, hose	10	—	C	GQ5/4
28E/20104	SP91/F	Clip, hose	8	—	C	GQ5/5
28E/7102120	SP91/L	Clip, hose	3	—	C	GQ5/6
26FP/1432516	AK/4/SS4234	Clip, half, at change over valve	2	—	C	GQ5/7
	AK/19/SS4234	Clip, half at change over valve	2	—	C	GQ5/8
		Attachments for Half Clips Part Nos. AK/4/SS4234, AK/19/SS4234				
28D/1011025	A25/24C	Bolt, hex. hd., 2 BA	4	—	C	GQ5/9
28W/9419402	SP13/C	Washer, 2 BA	4	—	C	
1510488	19Z12377	Connector	1	—	C	GQ5/10
	27Z12377	Cover	1	L72		GQ5/11

VULCAN Mk. 2

EQUIPMENT AIRCRAFT
VENTILATED SUIT SYSTEM

Page GQ. 13

Ref. No.	Part No.	Description	No. off	Matl. Spec.	Cl. of St.	Plate and Illust'n No.
					M.R.	
		1 2 3 4				
		VENTILATED SUIT, AUXILIARY AIR SYSTEM (Z12377) (Cont'd.)				
1510471	3Z12377	Hose, flexible	1	—	C	GQ5/12
1510472	4Z12377	Hose, flexible	1	—	C	GQ5/13
1510473	5Z12377	Hose, flexible	1	—	C	GQ5/14
1510474	6Z12377	Hose, flexible	2	—	C	GQ5/15
	7Z12377	Hose, flexible	1	—		GQ5/16
	8Z12377	Hose, flexible	1	—	MR	GQ5/17
1510477	9Z12377	Hose, flexible	1	—	C	GQ5/18
	10Z12377	Hose, flexible	1	—	MR	GQ5/19
	11Z12377	Hose, flexible	1	—	MR	GQ5/20
	12Z12377	Hose, flexible	1	—	MR	GQ5/21
	13Z12377	Hose, flexible	1	—	MR	GQ5/22
		INSTALLATION, B.V.C. SUIT EXHAUSTER AND BLOWING UNIT (Z12378)				
		Spares for:—				
5CW/4405094	ROTAX D6311	Contactora	1	—	C	GQ6/1
		Attachments for Contactor Part No. D6311 (Ref. No. 5CW/6182)				
28D/9133012	A25/3C	Bolt, hex. hd., 2 BA	4	—	C	GQ6/2
28M/1012015	AGS2001/C1/66	Nut, 2 BA	4	—	C	
28W/9419402	SP13/C	Washer, 2 BA	4	—	C	
	7V9472	Cover, P.V.C.	2	—	MR	GQ6/3
	416SS6065	Label, "Rel. 827"	1	—		
	417SS6065	Label, "Rel. 828"	1	—		
1510490	2Z12378	Plate, deflector	1	—	C	GQ6/4
	1Z12380	UNIT, FACE BLOWING, GROUP				
		Spares for:—				
5UD/1095866	PLANNAIR 3PL182.271	Blower, Mk. 3	1	—	A	GQ6/5
		Attachments for Blower (Ref. No. 5UD/1095866)				
28D/1007972	A25/-1/2C	Bolt	4	—	C	GQ6/6
28W/9419402	SP13/C	Washer	4	—	C	
1510501	5Z12380	Bracket, angle	2	L72	C	GQ6/7
28D/1013284	A25/2C	Bolt, hex. hd., 2 BA	16	—	C	GQ6/8
1510499	3Z12380	Cover, exit	1	—	C	GQ6/9
1510500	4Z12380	Cover, inlet	1	—	C	GQ6/10
28M/1012015	AGS2001/C1/66	Nut, stiff, 2 BA	16	—	C	
28W/9419402	SP13/C	Washer 2 BA	16	—	C	
		UNIT, EXHAUSTER (Z12379)				
		Spares for:—				
28E/7102120	SP91/L	Clip, hose	1	—	C	GQ6/11

EQUIPMENT AIRCRAFT
VENTILATED SUIT SYSTEM

Ref. No.	Part No.	Description	No. off	Matl. Spec.	Cl. of St.	Plate and Illust'n No.
					M.R.	
		1 2 3 4				
UNIT, EXHAUSTER (Z12379) (Cont'd)						
5CW/4405094	ROTAX D6311	Contactor	1	—	C	GQ6/12
		Attachments for Contactor Part No. D6311 (Ref. No. 5CW/6182)				
28D/1007976	AS1242/4C	Bolt, csk. hd., 2 BA	2	—	C	GQ6/13
28D/1013301	AS1248/4C	Bolt, mush. hd., 2 BA	2	—	C	GQ6/14
28M/1012015	AGS2001/C1/66	Nut, stiff, 2 BA	4	—	C	
28W/9419402	SP13/C	Washer, 2 BA	4	—	C	
1510491	5Z12379	Coupling, flange	1	L65 or L85	C	GQ6/15
		Attachments for Coupling Part No. 5Z12379				
28D/1011019	A25/8C	Bolt, hex. hd., 2 BA	4	—	C	GQ6/16
28D/1011006	A25/5B	Bolt, hex. hd., 4 BA	6	—	C	GQ6/17
28M/1278189	AGS2001/B/1	Nut, stiff, 4 BA	6	—	C	
28W/9419402	SP13/C	Washer, 2 BA	4	—	C	
28W/9419465	SP13/B	Washer, 4 BA	6	—	C	
		1Z12514	1	—		GQ6/18
COUPLING, FLEXIBLE SPIDER, GROUP						
		Spares for:—				
1510494	2Z12514 RENOLD	Body, half	1	S92	C	GQ6/19
1510495	644432	Body, half	1	—	C	GQ6/20
1510496	644462	Spider, rubber	1	—	C	GQ6/21
		7V9472	2	—	MR	GQ6/22
		1400-1/4"	1	—	C	GQ6/23
1510498	3Z12379	Fitting, exhauster inlet	1	—		GQ6/24
		2Z12379	1	—		GQ6/25
MOUNTING, BASE, GROUP						
		Attachments for Mounting Base Part No. 2Z12379				
28D/9133012	A25/3C	Bolt, hex. hd., 2 BA	4	—	C	GQ6/26
1510493	6Z12379 ROTAX	Key	1	S96	C	GQ6/27
5UD/6203197	CA9901.L	Motor	1	—	A	GQ6/28
1510492	4Z12379	Spacer	4	L85	C	GQ6/29
1510714	1Z12517	Unit, exhauster	1	—		GQ6/30
1510497	7Z12379	Washer	1	S96	C	GQ6/31
		28Z12377	3	—		GQ5/23
LOUVRE, MOUNTING, GROUP						
26PJ/5449796	THERMO TANK CF/K1584/58/3	Louvre, punkah	3	—	C	GQ5/24
		Attachments for Louvre Part No. CF/K1584/58/3				
28D/1013172	AS1242/5C	Bolt, csk. hd., 2 BA	4	—	C	GQ5/25
28M/1012015	AGS2001/C1/66	Nut, stiff, 2 BA	4	—	C	
28W/9419402	SP13/C	Washer, 2 BA	4	—	C	

VULCAN Mk. 2

EQUIPMENT AIRCRAFT
VENTILATED SUIT SYSTEM

Page GQ. 15

Ref. No.	Part No.	Description	No. off	Matl. Spec.	Cl. of	Plate and Illust'n No.
					St. M.R.	
		1 2 3 4				
		VENTILATED SUIT AUXILIARY AIR SYSTEM (Z12377) (Cont'd)				
		MOUNTING OF 1st PILOT'S CHANGEOVER SWITCH (V16021)				
		Spares for:—				
5CW/1089997	415SS6065 ROTAX D13086	Label	1	—		
		Switch, changeover	1	—	C	GQ5/26
		MOUNTING OF START SWITCHES ON CREW MEMBERS TABLE (V16020)				
		Spares for:—				
	RAYCHEM 222A152-3	Cover, heat shrink	2	—		
	414SS6065 RAYCHEM NT1/4" NT3/8" ROTAX D13087	Label, "Aux. Air System"	1	—		
		Sleeving, heat shrink	2	—		
5CW/13056		Sleeving, heat shrink	2	—		
		Switch	2	—	C	GQ5/27
		MOUNTING OF CHANGEOVER SWITCH AT 2nd PILOT'S POSITION (V16022)				
		Spares for:—				
	2V16022	BRACKET, SWITCH, GROUP	1	—		
		Spares for:—				
1510502	2aV16022	Bracket	1	L72	C	GQ5/28
	415SS6065 ROTAX D13086	Label	1	—		
5CW/1089997		Switch, changeover	1	—	C	GQ5/29
		Attachments for Bracket Part No. 2V16022				
28D/9436920	A25/1C	Bolt	2	—	C	GQ5/30
28M/1012015	AGS2001/C1/66	Nut, stiff	2	—	C	
28W/9419402	SP13/C	Water	2	—	C	
	21Z12377	Piece, jointing	4	—	MR	GQ5/31
1510482	22Z12428	PIPE, FEED, GROUP	1	L56	C	GQ5/32
1510484	3Z12428	PIPE, FEED, GROUP	1	L56	C	GQ5/33
1510483	33Z12428	PIPE, FEED, GROUP	1	L56	C	GQ5/34
1510485	34Z12428	PIPE, FEED, GROUP	1	L56	C	GQ5/35
	26Z11277	Plate, reinforcing	1	L72		GQ5/36

EQUIPMENT AIRCRAFT
VENTILATED SUIT SYSTEM

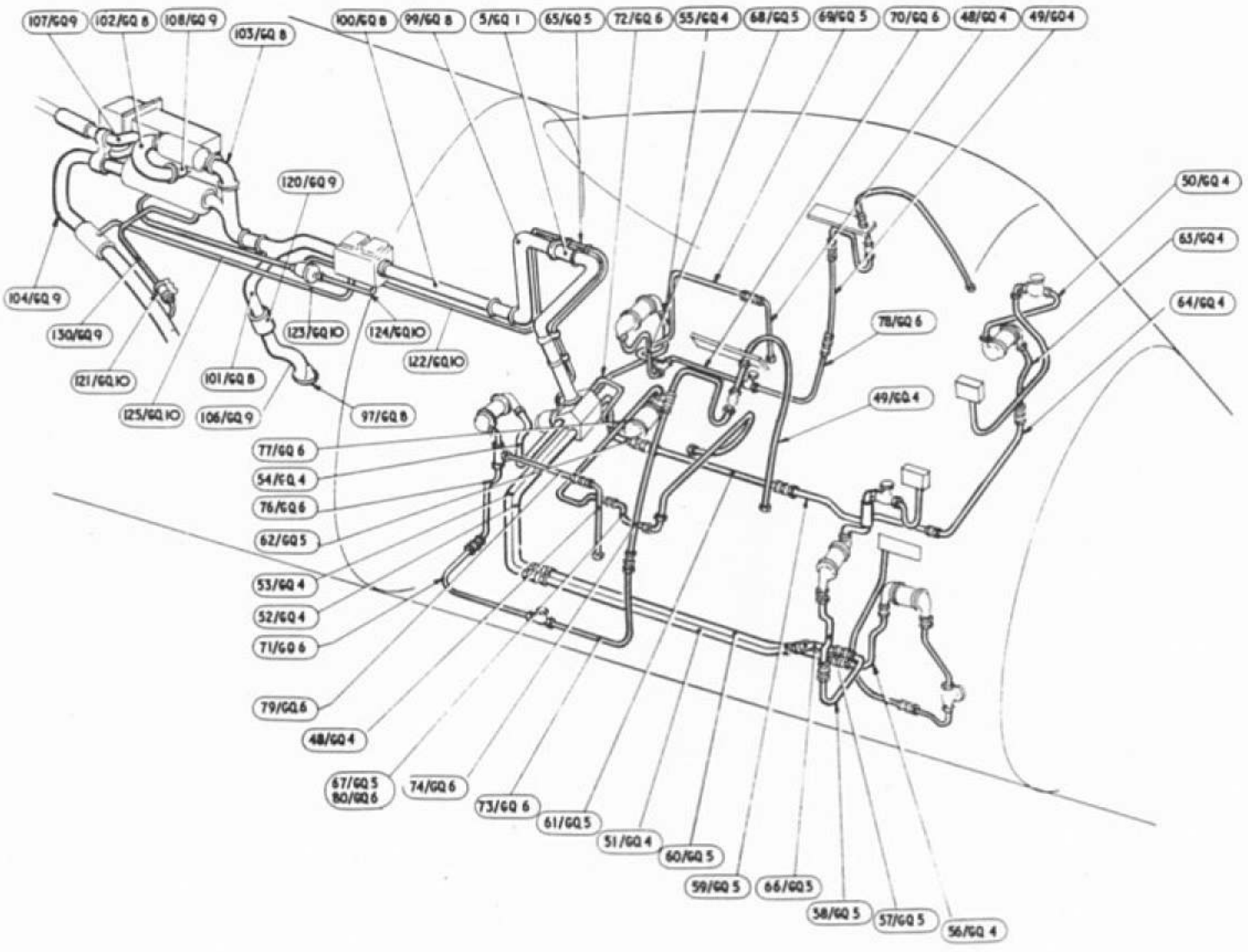
Ref. No.	Part No.	Description	No. off	Matl. Spec.	Cl. of St.	Plate and Illust'n No.
					M.R.	
		1 2 3 4				
VENTILATED SUIT, AUXILIARY AIR SYSTEM (Z12377) (Cont'd)						
27VA/2224239	DUNLOP ACO6580	Socket, release	3	—	C	GQ5/37
1510486	17Z12377	Spacer	2	L85	C	GQ5/38
1510487	18Z12377	Spacer	2	L85	C	GQ5/39
26TA/1727	AS2809/4/040	Tube, distance	6	—	C	
	AS2811/5/100	Tube, distance	1	—	C	
	AS2811/5/125	Tube, distance	1	—	C	
26DL/6963	AS2811/5/138	Tube, distance	2	—	C	
27V/6200080 99-620-0080	TEDDINGTON 5114-002-000	Valve, shut off	3	—	A	GQ5/40
27V/1509532	NORMALAIR 7302B000	Valve, changeover	2	—	A	GQ5/41

VULCAN Mk. 2

EQUIPMENT AIRCRAFT
SUMMARY OF STANDARD ITEMS

Stores Ref.		No. off	Stores Ref.		No. off	Stores Ref.		No. off
Section	Ref. No.		Section	Ref. No.		Section	Ref. No.	
28D	1933012	4	28W	9419405	15			
28D	1011029	15	28W	9419454	4			
28D	9133011	30	28W	9419475	50			
28D	9436920	20						
28F	9707	15						
28F	9877	9						
28F	1013746	2						
28M	1278190	30						

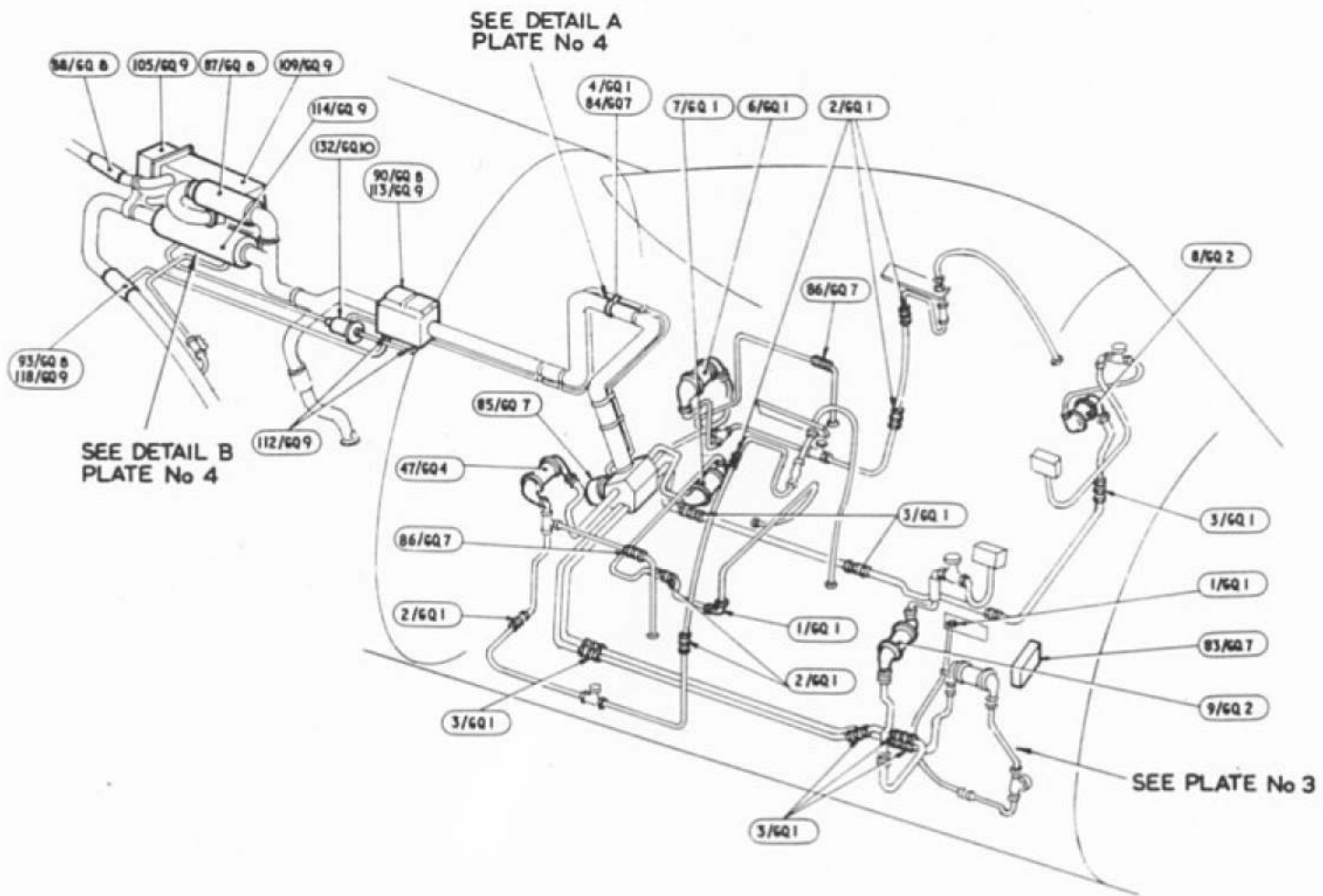
VENTILATED SUIT SYSTEM
AIRCRAFT EQUIPMENT



RESTRICTED

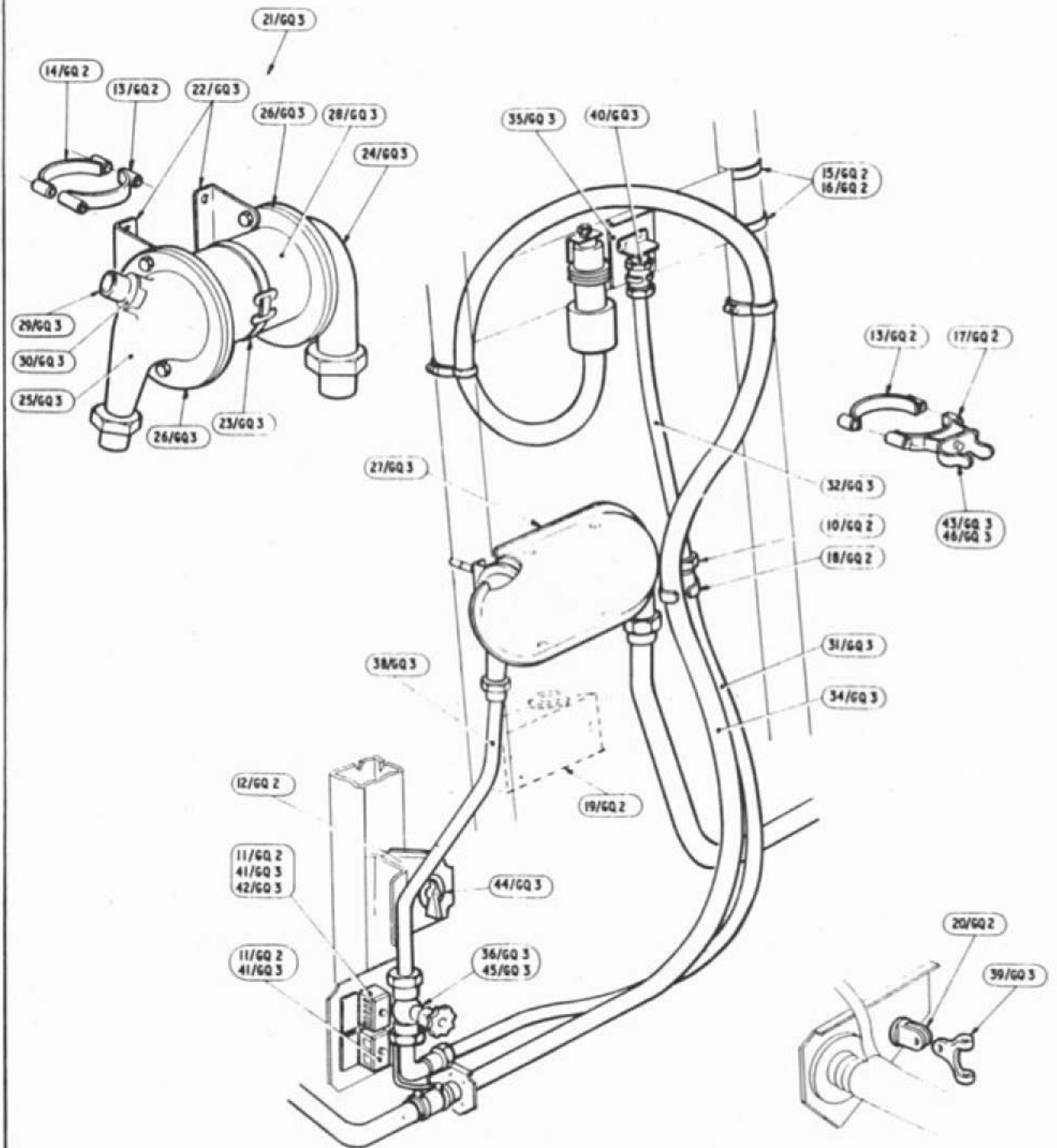
RESTRICTED

VENTILATED SUIT SYSTEM
AIRCRAFT EQUIPMENT

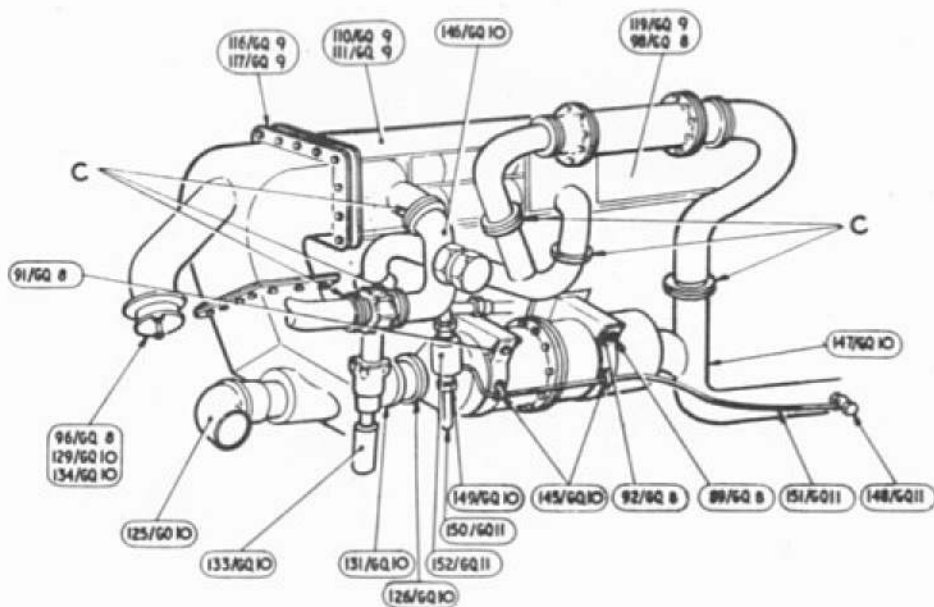
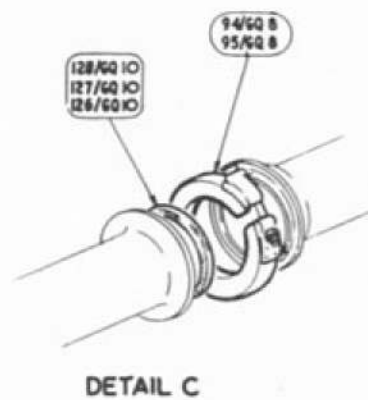
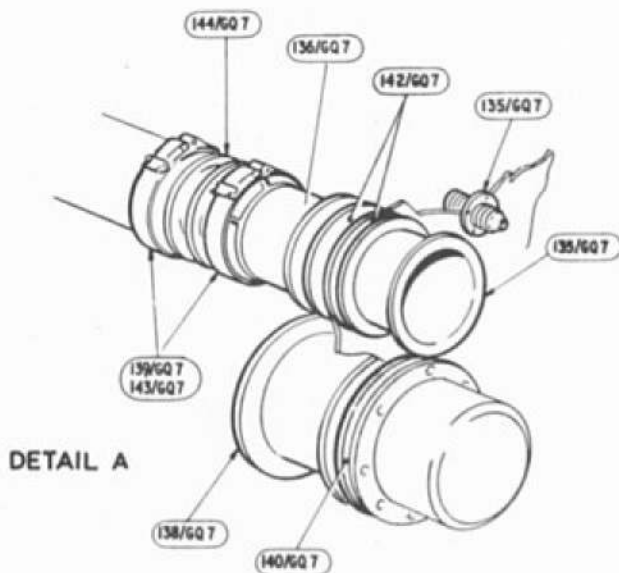


RESTRICTED

RESTRICTED



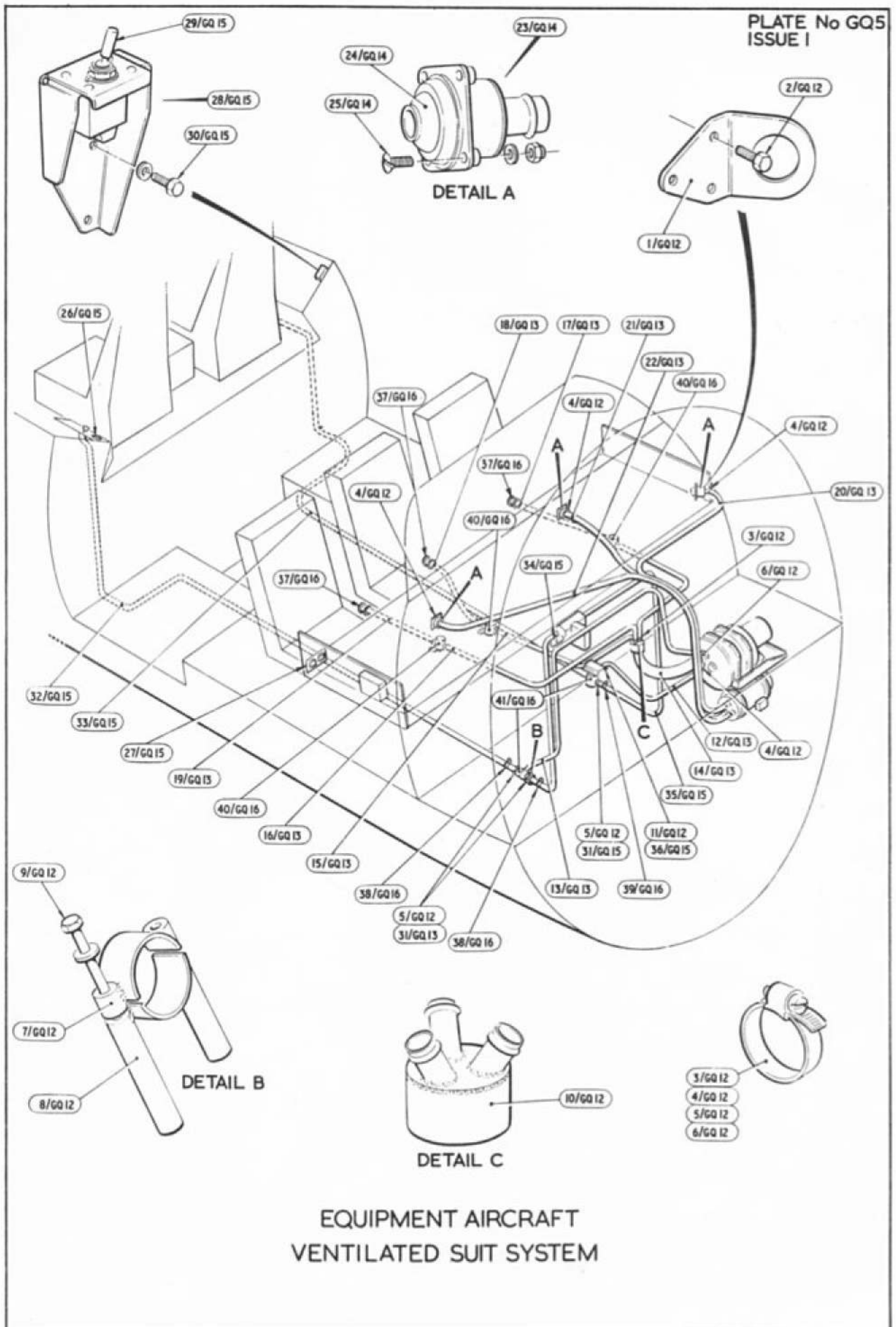
BOMB AIMERS STATION
VENTILATED SUIT SYSTEM



DETAILS
VENTILATED SUIT SYSTEM

RESTRICTED

PLATE No GQ5
ISSUE I

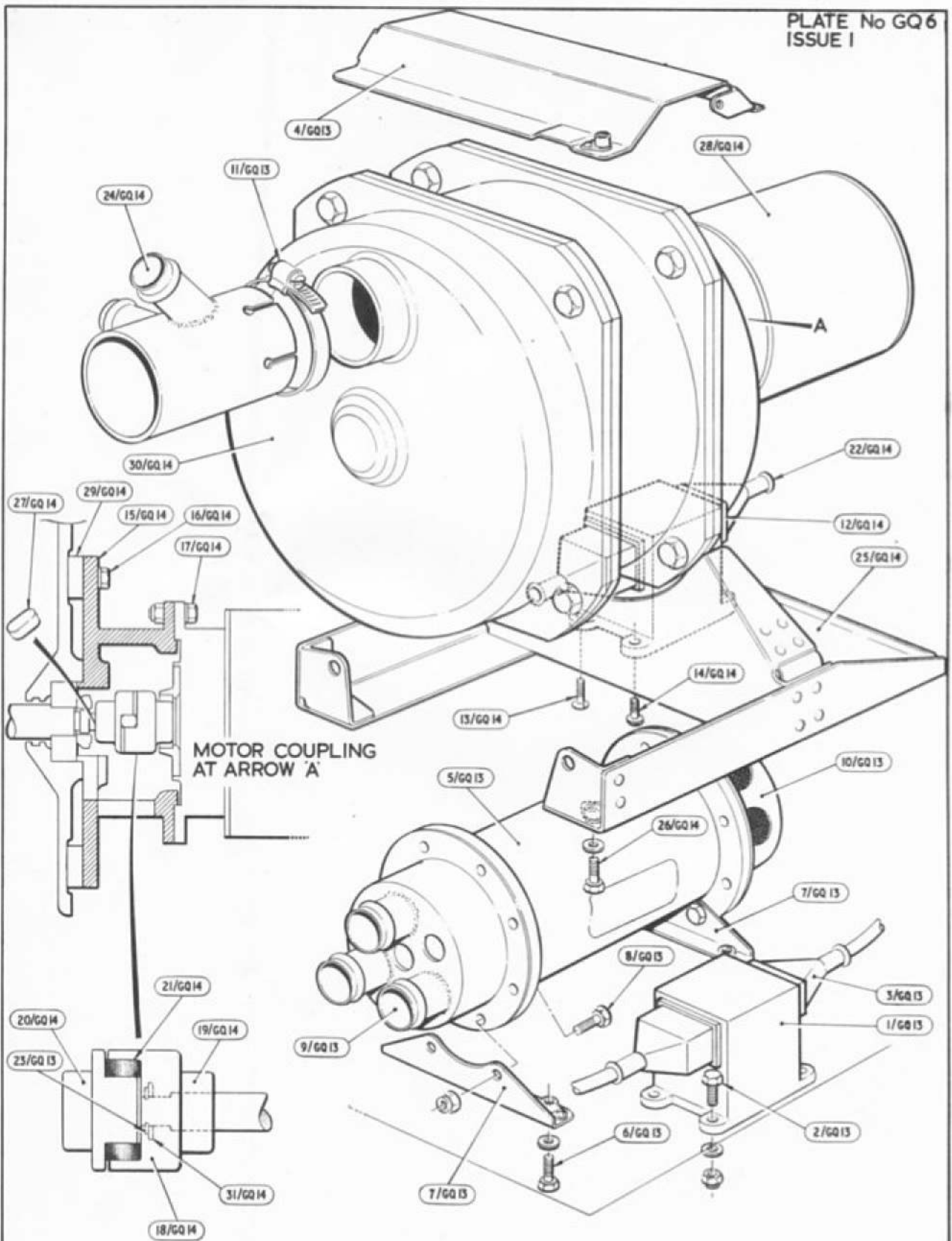


EQUIPMENT AIRCRAFT
VENTILATED SUIT SYSTEM

RESTRICTED

RESTRICTED

PLATE No GQ6
ISSUE I



MOTOR COUPLING
AT ARROW 'A'

EQUIPMENT AIRCRAFT
VENTILATED SUIT SYSTEM

RESTRICTED

This file was downloaded
from the RTFM Library.

Link: www.scottbouch.com/rtfm

Please see site for usage terms,
and more aircraft documents.

