

EQUIPMENT, SPECIAL OPERATIONAL (S.O.O.)
MOUNTING, BALLAST AND SOCKET PLATES, WHEN
SPECIAL AIRBORNE EQUIPMENT IS NOT FITTED

Ref. No.	Part No.	Description	No. off	Mati. Spec.	Cl. of St.	Plate and Illust'n No.
					M.R.	
		MOUNTING OF BALLAST AND SOCKET PLATES, WHEN SPECIAL AIRBORNE EQUIPMENT IS NOT FITTED (Z9980)				
	1Z10109	Spares for:— PANEL, TRANSPORTATION, FOR INLET . . & OUTLET PIPES TO SCANNER COOLING, GROUP (Mod. 949)	1	—		HA2/1
	3Z10109	Spares for:— Boss	1	L65		HA2/2
	6Z10109	Backplate	1	—		HA2/3
	2Z10109	Panel, jablok, 1/2" thick	1	—		HA2/4
	5Z10109	Plate, cover	1	L72		HA2/5
	4bZ10109	Plate, retaining	3	L72		HA2/6
	7Z10109	STRAP, GROUP	3	—		HA2/7
	27Z9980	PLATES, BALLAST AND SOCKET, WITH . . BRIDGE, GROUP (Mods. 949 & 1288)	3	—		HA2/8
	5Z9980	Spares for:— BALLAST AND SOCKET, BETWEEN FORMERS 120.25" & 97.75", PORT & STARBOARD, GROUP (Mod. 949)	3	—		HA2/9
	4T4362	Spares for:— Bolt, eye, through centre of plate	1	S94		HA2/10
		Attachments for Part No. 4T4362				
28M/4095808	AGS.2001/J1	Nut, 3/8" BSF	1	—	C	
28W/9419466	SP.13/J	Washer, 3/8" BSF	1	—	C	
28W/9156622	SP.18/J	Washer, facing	1	—	C	
1433662	16Z9980	LEG, ASSEMBLY, GROUP	2	—	C	HA2/11
		Attachments for Part No. 16Z9980				
28D/1212309	A25/25E	Bolt, 1/4" BSF	8	—	C	
28D/1011246	A25/11E	Bolt, 1/4" BSF	16	—	C	
28M/9480017	AGS.2001/E1	Nut, 1/4" BSF	24	—	C	
28M/9418921	SP13/E	Washer, 1/4" BSF	24	—	C	
	13Z9980	Washer	24	S510		
	15Z9980	PLATE, BALLAST, GROUP	1	—		HA2/12
	15bZ9980	Consisting of:— Ballast, 160 lbs.	1	Lead		HA2/13
28D/1212309	A25/25E	Bolt, 1/4" BSF	8	—	C	
28M/9480017	AGS.2001/E1	Nut, 1/4" BSF	8	—	C	
	15aZ9980	Plate, base	1	Steel		HA2/14
28W/9418921	SP13/E	Washer, 1/4" BSF	8	—	C	
28W/9994217	SP18/E	Washer, facing	8	—	C	

EQUIPMENT, SPECIAL OPERATIONAL (S.O.O.)
MOUNTING, BALLAST AND SOCKET PLATES, WHEN
SPECIAL AIRBORNE EQUIPMENT IS NOT FITTED

Ref. No.	Part No.	Description				No. off	Matl. Spec.	Cl. of St.	Plate and Illust'n No.
		1	2	3	4			M.R.	
		BALLAST AND SOCKET PLATE (5Z9980) (Cont'd)							
10H/0560140	PLESSEY CZ50143	Plug, Mk. IV, 6-pole, forward, starboard, and aft, port				2	—	B	HA2/15
10H/19102	PLESSEY CZ49112	Plug, Mk. IV, 12-pole, aft, starboard and forward, port				2	—	B	HA2/16
	PLESSEY Z49120	Ring, locking, at socket				2	—		HA2/17
	PLESSEY 2Z84307	Shell, P.U. socket				2	—		HA2/18
	PLESSEY Z54103	Washer, locking, at socket				2	—		HA2/19
27BA/4110976	AVERY AVX2693	Coupling, half flanged (Mod. 949)				3	—	C	HA2/20
27BA/4110977	AVERY AVX2850	Coupling, half flanged (Mod. 949)				3	—	C	HA2/21
	26Z9980	PIECE, BRIDGE, GROUP				1	—		HA2/22
12137	29Z9980	PLATES, BALLAST, GROUP				6	—		HA2/23
	4T4362	Spares for:— Bolt, eye, through centre plate (for attachments see HA.1)				1	S94		HA2/24
	15Z9980	PLATE, BALLAST, GROUP (for breakdown see HA.1)				1	—		HA2/25
1433662	16Z9980	LEG, ASSEMBLY, GROUP (for attachments see HA.1)				2	—	B	HA2/26
	2Z9980	PLATE & SOCKET, BETWEEN FORMERS . . 487.5" & 22.25" PORT & STARBOARD & 22.25" & 46.75" PORT, GROUP				3	—		HA1/27
	3Z9980	PLATE & SOCKET, BETWEEN FORMERS . . 22.25" & 46.75" STB'D., GROUP				1	—		HA1/28
	4Z9980	PLATE & SOCKET, BETWEEN FORMERS . . 46.75" & 71.25" PORT AND STB'D., GROUP				2	—		HA2/29
	10T4361	Spares for:— Bolt, eye, through centre plate				1	S94		HA1/30
	McMICHAEL RADIO X11242	Connector, bulkhead, on items 2 & 4 Z9980				1	—		HA1/31
27BA/4110977	AVERY AVX2850	Coupling, half flanged				1	—	C	HA1/32
27BA/4110976	AVERY AVX2693	Coupling, half flanged				1	—	C	HA1/33

VULCAN Mk. 2

EQUIPMENT, SPECIAL OPERATIONAL (S.O.O.)
MOUNTING, BALLAST AND SOCKET PLATES, WHEN
SPECIAL AIRBORNE EQUIPMENT IS NOT FITTED

Page HA. 3

Ref. No.	Part No.	Description	No. off	Matl. Spec.	Cl. of	Plate and Illust'n No.
					St. M.R.	
		1 2 3 4				
		PLATES AND SOCKETS (2-3-4Z9980) (Continued)				
	7Z9980	LEG, ASSEMBLY, GROUP	2	—		HA1/34
		Attachments for Part No. 7Z9980				
28D/1010030	A25/7C	Bolt, 2 BA	16	—	C	
28M/1012015	AGS2001/C1/66	Nut, 2 BA	16	—	C	
28W/9419402	SP13/C	Washer, 2 BA	16	—	C	
	14Z9980	Washer, facing	16	L72		
	23Z9980	PIECE, BRIDGE, GROUP (2Z9980)	3	—		HA1/35
	24Z9980	PIECE, BRIDGE, GROUP (3Z9980)	1	—		HA1/36
	25Z9980	PIECE, BRIDGE, GROUP (4Z9980)	2	—		HA2/37
	10Z9980	PLATE, SOCKET FOR (2Z9980), GROUP .	1	—		HA1/38
	11Z9980	PLATE, SOCKET FOR (3Z9980), GROUP .	1	—		HA1/39
	12Z9980	PLATE, SOCKET FOR (4Z9980), GROUP .	1	—		HA2/40
10H/0560200	CZ49061	Plug, type Mk. IV, 25-pole, for item 2Z9980	1	—	B	HA1/41
10H/0560150	CZ49112	Plug, type Mk. IV, 12-pole, for item 2Z9980	1	—	B	HA1/42
10H/0560140	CZ50143	Plug, type Mk. IV, 6-pole, for items 2 and . . 3Z9980	1	—	B	HA1/43
	PLESSEY					
10H/9147042	CZ74865	Plug, fixed, 3 pole, for item 4Z9980	1	—	B	HA2/44
10H/0540019	—	Plug, fixed female shell, for item 3Z9980 . .	1	—	B	HA1/45
	PLESSEY					
	Z49120	Ring, locking, for item 2Z9980	1	—		HA1/46
	PLESSEY					
	Z284307	Socket, P.U. shell, for item 2Z9980	1	—		HA1/47
10H/0560240	CZ49219	Socket, 3-way, for item 3Z9980	1	—	B	HA1/48
10H/0560380	CZ49229	Socket, type Mk. IV, 25-pole, items 3 and . . 4Z9980	2	—	B	HA1/49
10H/0560330	CZ49459	Socket, type Mk. IV, 12-pole, for item 3Z9980	1	—	B	HA1/50
10H/0560381	CZ49229/1	Socket, type Mk. IV, 25-pole, for item 4Z9980	2	—	B	HA1/51
	PLESSEY					
	Z54103	Washer, locking, for socket, for item 2Z9980	1	—		HA1/52

EQUIPMENT, SPECIAL OPERATIONAL (S.O.O.)
MOUNTING, BALLAST AND SOCKET PLATES, WHEN
SPECIAL AIRBORNE EQUIPMENT IS NOT FITTED

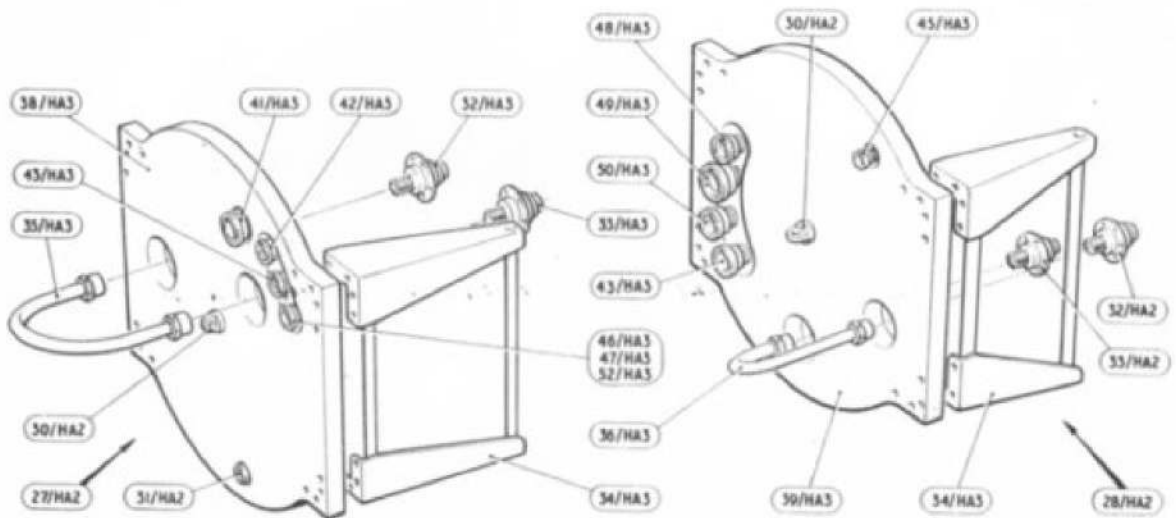
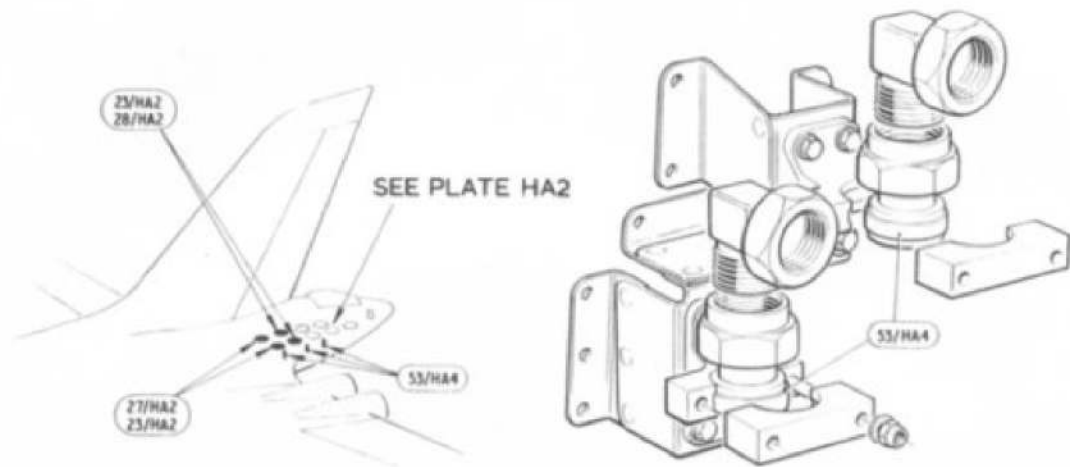
Ref. No.	Part No.	Description	No. off	Mati. Spec.	Cl. of St.	Plate and Illust'n No.
					M.R.	
		1 2 3 4				
		MOUNTING OF BALLAST AND SOCKET PLATES, WHEN SPECIAL AIRBORNE EQUIPMENT IS NOT FITTED (Z9980) (Cont'd.)				
	30Z9980	Spares for:— PLUG, ASSEMBLY, GROUP	10	—		HA1/53
		Consisting of:—				
		Collar	1	DTD423	C	
		Nut, union	1	—		
		Plug	1	DTD423		
28F/4051688	30aZ9980 AGS1231/F 30bZ9980					

VULCAN Mk. 2

MOUNTING, BALLAST AND SOCKET PLATES
SUMMARY OF STANDARD ITEMS

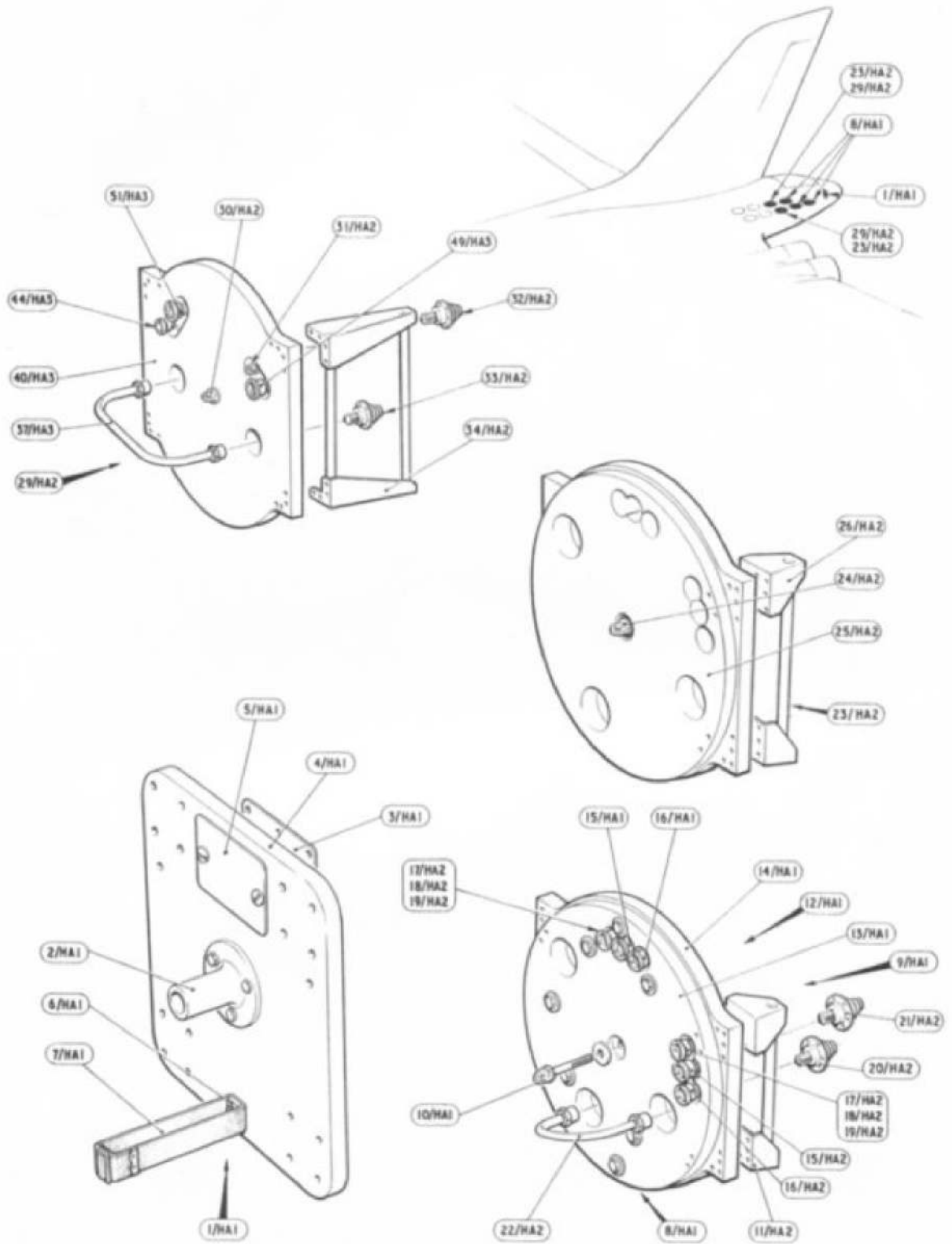
Page HA. 5

Stores Ref.		No. off	Stores Ref.		No. off	Stores Ref.		No. off
Section	Ref. No.		Section	Ref. No.		Section	Ref. No.	
28D	14522	8	28S	1214065	27			
28D	1010030	96	28S	9131095	6			
28D	1011246	48						
28F	12038	1	28W	13323	1			
			28W	1009699	48			
			28W	9418921	80			
			28W	9419402	48			
			28W	9419466	1			
			28W	9994217	8			
28M	1278190	96						
28M	10290	80						
28M	10291	1						



EQUIPMENT SPECIAL OPERATIONAL (S.O.O)
MOUNTING, BALLAST & SOCKET PLATES WHEN SPECIAL
AIRBORNE EQUIPMENT IS NOT FITTED

(1)



EQUIPMENT SPECIAL OPERATIONAL (S.O.O)
MOUNTING BALLAST & SOCKET PLATES WHEN SPECIAL
AIRBORNE EQUIPMENT IS NOT FITTED



This file was downloaded
from the RTFM Library.

Link: www.scottbouch.com/rtfm

Please see site for usage terms,
and more aircraft documents.

DO NOT HANDLE ENGINE TO MOVE STAND

DO NOT TOW
DO NOT USE STEERING BAR