

EQUIPMENT, SPECIAL OPERATIONAL (S.O.O.)
CRADLES, REMOVABLE, FOR TYPE A, B & C CONTAINERS

Ref. No.	Part No.	Description	No. off	Matl. Spec.	Cl. of St.	Place and Illust'n No.
					M.R.	
			1	2	3	4
		CRADLES, ASSEMBLIES FOR TYPE A, B & C CONTAINERS				
	1Z9815	Spares for :— CRADLE, FOR TYPE A CONTAINER, GROUP (Mod. 630)	1	—		HB1/1
	21Z9815	Spares for :— BAR, SPREADER, GROUP	1	—		HB1/2
28P/1208367	AGS1551/4	Spares for :— Pin, locking, safety	1	—	C	
28E/1006928	SP54/1570/20	Cable, 15 cwt.	2	—		HB1/3
	AS2295/9	Clip	2	—	C	HB1/4
	4Z9814	LEVER, QUICK RELEASE CATCH, GROUP	2	—		HB1/5
28P/1208367	34Z9815	Link	4	S510		HB1/6
28FP/1039005	AGS1551/4	Pin, locking, safety	2	—	C	HB1/7
	A408	Pin, pip	4	—	C	HB1/8
	6Z9814	Rod, screwed	2	S94		HB1/9
	35Z9815	STRAP, GROUP	1	—		HB1/10
	36Z9815	STRAP, GROUP	1	—		HB1/11
		ATTACHMENTS FOR PART Nos. 35 OR 36Z9815				
28D/1212305	A25/21E	Bolt, 1/4" B.S.F.	1	—	C	
28M/9480017	AGS2001/E1	Nut, stiff, 1/4"	1	—	C	
	AS2808/6/180	Tube, distance	1	—	C	
	33Z9815	Washer, special	2	L72		HB1/12
	8Z9814	Strap, end	2	S510		HB1/13
	7Z9814	Trunnion	2	S94		HB1/14
	1Z9827	CRADLE, FOR TYPE B CONTAINER MOUNTING, GROUP (Mod. 630)	1	—		HB1/15
		Spares for :—				
28FP/4062768	14Z9827	Peg, shear	1	S94 & S95		HB1/16
28FP/9469299	A1234	Pin, pip	1	—	C	HB1/17
28P/1208367	A409	Pin, pip	1	—	C	HB1/18
	AGS1551/4	Pin, locking, safety	1	—	C	HB1/19
	16Z9827	STRAP, BOTTOM, AFT, GROUP ...	1	—		HB1/20
	43Z9827	STRAP, BOTTOM, FW'D, GROUP	1	—		HB1/21
		Spares for :—				
	4Z9814	LEVER, QUICK RELEASE CATCH, AFT, FOR 16Z9827, GROUP	1	—		HB1/22
	42Z9827	LEVER, QUICK RELEASE CATCH, FW'D, FOR 43Z9827, GROUP	1	—		HB1/23

EQUIPMENT, SPECIAL OPERATIONAL (S.O.O.)
CRADLES, REMOVABLE, FOR TYPE A, B & C CONTAINERS

Ref. No.	Part No.	Description	No. off	Matl. Spec.	Cl. of St.	Plate and Illust'n No.
					M.R.	
		1 2 3 4				
		STRAPS, BOTTOM FORWARD AND AFT (16 & 43Z9827) (Cont'd)				
	6Z9814	Rod, screwed	1	S94		HB1/24
	7Z9814	Trunnion... ..	1	S95		HB1/25
		ATTACHMENTS FOR PART Nos. 16 & 43Z9827				
28D/1212754	A25/17J	Bolt, $\frac{3}{8}$ " B.S.F.	1	—	C	
28M/4095808	AGS2001/J1	Nut, stiff, $\frac{3}{8}$ " B.S.F.	1	—	C	
	AS2808/8/155	Tube, distance	1	—		
28W/9419477	SP15/J	Washer, $\frac{3}{8}$ "	1	—	C	
	20Z9827	WHEEL, PULLEY, GROUP	1	—		HB1/26
		Spares for:—				
28N/4043821	AGS2031/22	Circlip	1	—	C	
	20cZ9827	WHEEL, PULLEY ASSEMBLY, GROUP	1	—		
	20aZ9827	Tube, $1\frac{1}{2}$ " dia. x 2-50" long	1	S1		
	1Z10046	CRADLE & HOIST ARRANGEMENT FOR TYPE C CONTAINERS, GROUP (Mod. 842)	1	—		HB2/27
		Spares for:—				
	30Z10046	CRADLE, HOIST, GROUP	1	—		HB2/28
		Spares for:—				
	32Z10046	CHANNEL, HOISTING, GROUP	1	—		HB2/29
		Spares for:—				
	32hZ10046	PEG, LOCATING, GROUP	1	—		HB2/30
28FP/9433676	A421	Pin, release	1	—	C	HB2/31
28P/1208367	AGS1551/4	Pin, locking, safety	6	—	C	HB2/32
	33Z10046	STRAP, SIDE, GROUP	2	—		HB2/33
		Spares for:—				
	4Z9814	LEVER, QUICK RELEASE, CATCH, GROUP	2	—		HB2/34
	6Z9814	Rod, screwed	2	S94		HB2/35
	7Z9814	Trunnion	2	S94		HB2/36
		ATTACHMENTS FOR PART No. 33Z10046				
		Bolt, $\frac{3}{8}$ " B.S.F.	1	—	C	
28D/1011307	A25/25J	Nut, stiff, $\frac{3}{8}$ " B.S.F.	1	—	C	
28M/4095808	AGS2001/J1	Tube, distance	1	—		
	AS2808/8/238	Washer, $\frac{3}{8}$ "	1	—	C	
28W/9419477	SP15/J					
	2Z10046	CRADLE, STRUCTURE, TOP, LESS HOISTING CRADLE, GROUP	1	—		HB2/37
		Spares for:—				
	14Z9827	Peg, shear	1	—		HB2/38
28FP/768	A1234	Pin, pip. Type "A" Mk. 4	1	—	C	HB2/39

VULCAN Mk. 2

EQUIPMENT, SPECIAL OPERATIONAL (S.O.O.)
CRADLES, REMOVABLE, FOR TYPE A., B. & C. CONTAINERS

Page HB. 3

Ref. No.	Part No.	Description	No. off	Matl. Spec.	Cl. of St.	Plate and Illust'n No.
					M.R.	
		1 2 3 4				
		CRADLE, STRUCTURE, TOP, LESS HOISTING CRADLE (2Z10046) (Cont'd)				
	27Z10046	STRAP, SIDE, OUTBOARD, GROUP	2	—		HB2/40
	28Z10046	STRAP, SIDE, INBOARD, GROUP	2	—		HB2/41
	4Z9814	Spares for :— LEVER, QUICK RELEASE CATCH, GROUP	1	—		HB2/42
	6Z9814	Rod, screwed	1	S94		HB2/43
	7Z9814	Trunnion	1	S94		HB2/44
		ATTACHMENTS FOR PART NOS. 27 & 28Z10046				
28D/1212754	A25/17J	Bolt, 3/8" BSF for 27Z10046 ...	1	—	C	
28D/1212753	A25/16J	Bolt, 3/8" BSF for 28Z10046 ...	1	—	C	
28M/10292	AGS2001/J1	Nut, stiff, 3/8" BSF	1	—	C	
	AS2808/8/155	Tube, distance, for 27Z10046 ...	1	—		
	AS2808/8/145	Tube, distance, for 28Z10046 ...	1	—		
28W/9419477	SP15/J	Washer, 3/8"	1	—	C	
	20Z9827	WHEEL, PULLEY, GROUP ...	1	—		HB2/45
		Spares for :—				
28N/12455	AGS2031/22	Circlip	1	—	C	
	20cZ9827	WHEEL, PULLEY ASSEMBLY, GROUP	1	—		
	20aZ9827	Tube	1	S1		

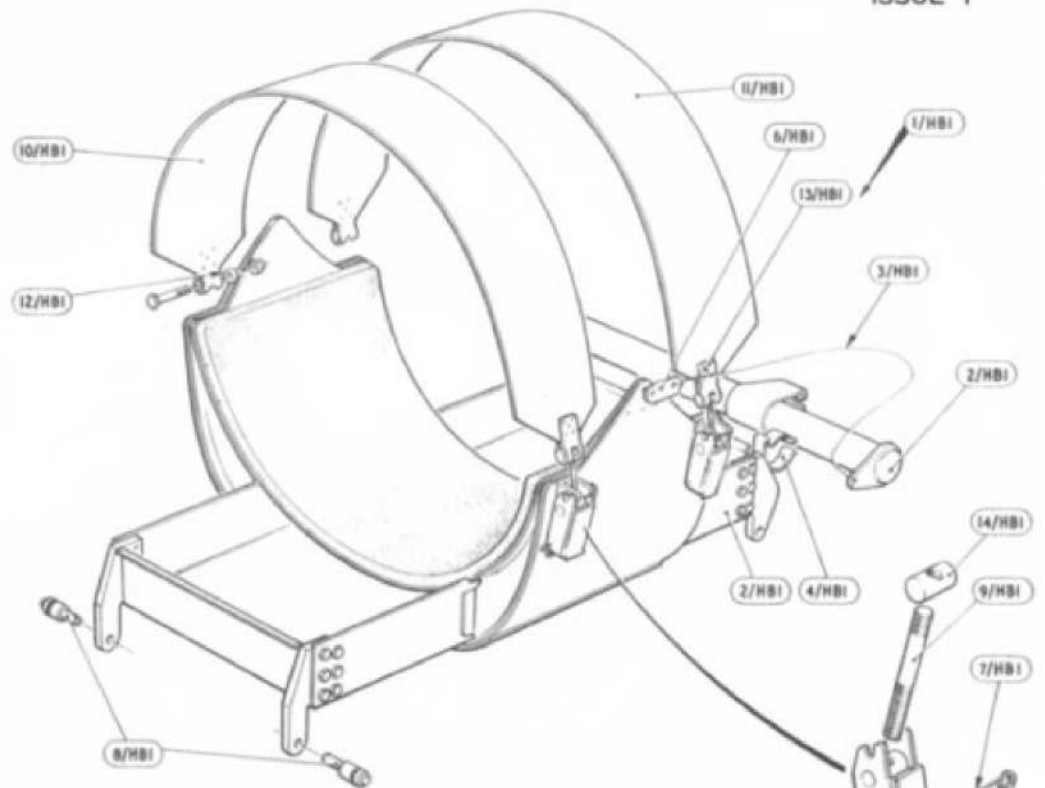
VULCAN Mk. 2

CRADLES, REMOVABLE, FOR TYPE A, B & C CONTAINERS

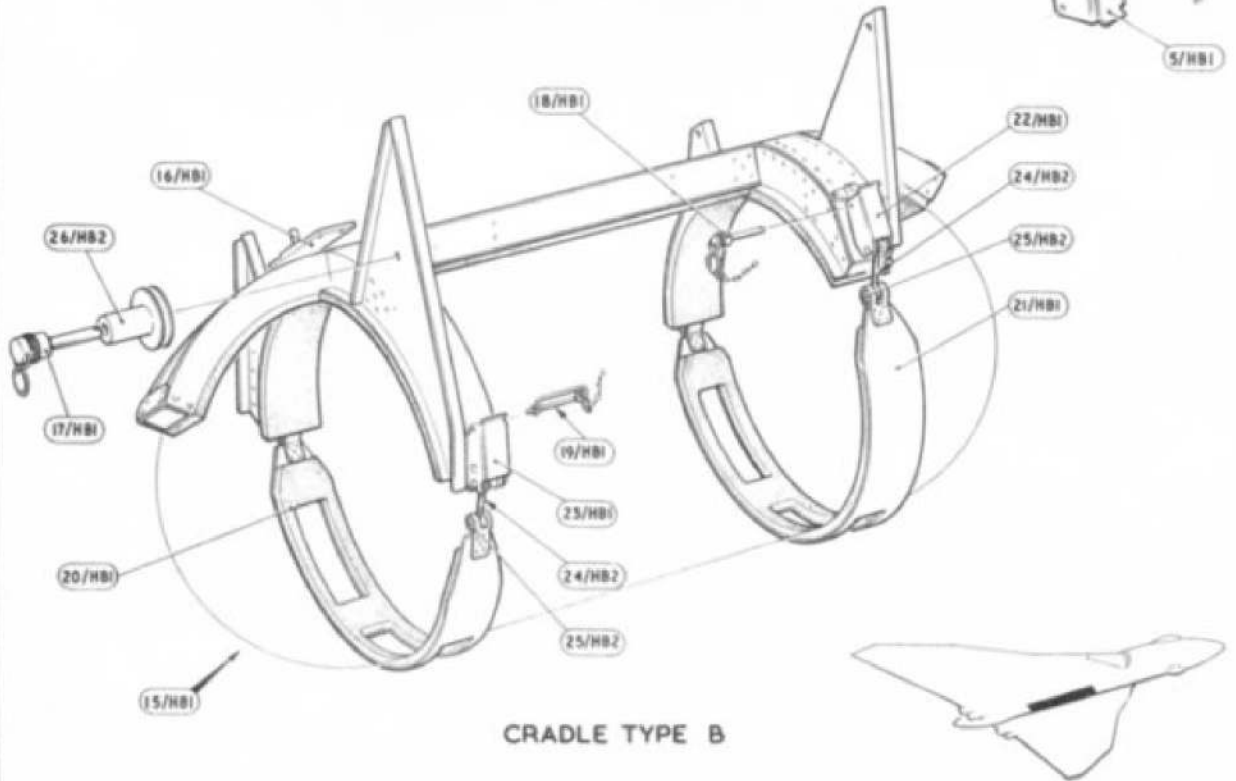
Page HB. 5

SUMMARY OF STANDARD ITEMS

Stores Ref.		No. off	Stores Ref.		No. off	Stores Ref.		No. off
Section	Ref. No.		Section	Ref. No.		Section	Ref. No.	
28D	12571	1	28M	10290	1	28W	9419477	3
28D	1011307	1	28M	10292	3			
28D	1212753	1						
28D	1212754	2						
28E	1006928	2	28N	12455	2			
			28P	1208367	10			
28FP	681	4						
28FP	768	2						
28FP	9433676	1						
28FP	9469299	1						



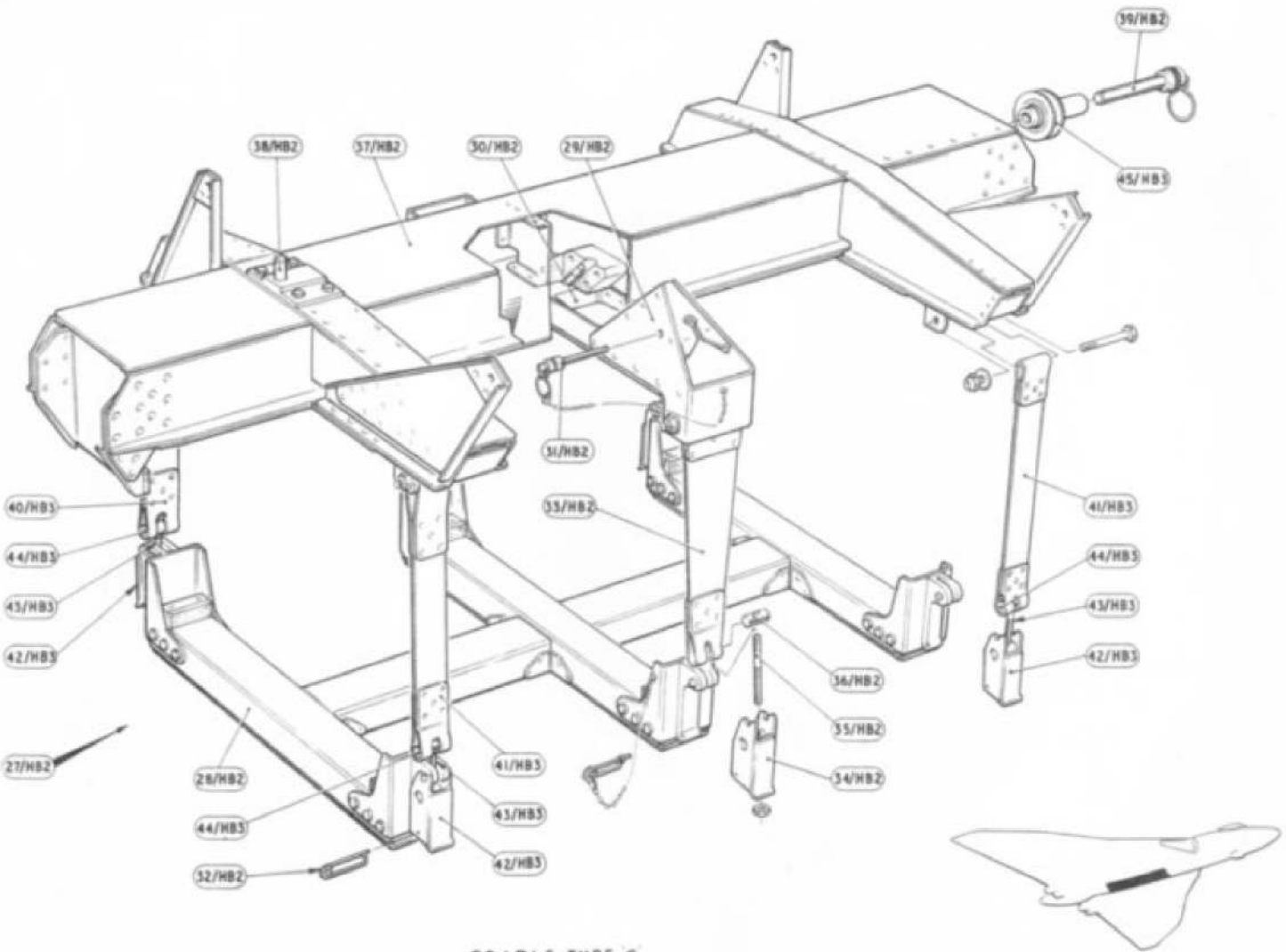
CRADLE TYPE A



CRADLE TYPE B

EQUIPMENT, SPECIAL OPERATIONAL (S.O.O)
REMOVABLE CRADLES, FOR TYPE A,B & C CONTAINERS
(1)

RESTRICTED



CRADLE TYPE C

EQUIPMENT, SPECIAL OPERATIONAL (S.OO)
REMOVABLE CRADLES FOR TYPE A, B & C CONTAINERS

RESTRICTED

PLATE NO HB2
ISSUE 1

This file was downloaded
from the RTFM Library.

Link: www.scottbouch.com/rtfm

Please see site for usage terms,
and more aircraft documents.

