

EQUIPMENT, SPECIAL OPERATIONAL (S.O.O.)
FLIGHT REFUELLING IN NOSE (REMOVABLE FITTINGS)

Ref. No.	Part No.	Description	No. off	Matl. Spec.	Cl. of St.	Plate and Illust'n No.
					M.R.	
1 2 3 4						
		FLIGHT REFUELLING EQUIPMENT IN NOSE (P1360) (Mod. 39)				
		Spares for :—				
		ARRANGEMENT OF NITROGEN BOTTLE AND VALVES, AFT FACE OF BULKHEAD 470, PORT SIDE (Z8477)				
		Spares for :—				
6D/9429890	—	Bottle, nitrogen	1	—	A	HC1/1
20142	16Z8477	Clip, half, for pressure relief valve ...	2	—	C	HC1/2
20184	BJ15SS6234	Clip, half, for reducing valve	1	—	C	HC1/3
20185	BJ4SS4234	Clip, half, for reducing valve	1	—	C	HC1/4
20141	14Z8477	Fairlead (Mod. 869)	2	BS2572	C	HC1/5
	1Z8476	MOUNTING, BOTTLE AND VALVE, GROUP	1	—		HC1/6
		Spares for :—				
7007	8Z8476	Crosshead	2	S1	C	HC1/7
7008	7Z8476	STRAP, GROUP	2	—	C	HC1/8
		Spares for :—				
26FP/2005	4SS1944	Crosshead	2	—	C	HC1/9
	1SS1945	Turnbuckle	2	—		HC1/10
	3Z8477	PIPE, 22G × ½" o/d × 8" LONG, GRP.	1	DTD323		HC1/11
20138	4Z8477	PIPE, 22G × ¾" o/d × 3½" LONG, GRP,	1	DTD323	C	HC1/12
	11Z8477	PIPE, 22G × ¾" o/d × 11½" LONG, GRP,	1	DTD323		HC1/13
20139	13Z8477	PIPE, 22G × ½" o/d × 13" LONG, GRP. (Mod. 869)	1	L56	C	HC1/14
20140	14Z8477	PIPE, 22G × ½" o/d × 10" LONG, GRP. (Mod. 869)	1	L56	C	HC1/15
26TA/16673	150SS3557	Tee-piece	1	—	C	HC1/16
27VB/4497484	HYMATIC RV31/5 HYMATIC PS82/3 SAUNDERS 903/ACO1/P8	Valve, pressure relief (Mod. 869) ...	1	—	A	HC1/17
		Valve, reducing	1	—		HC1/18
		Valve, on-off	1	—		HC1/19
9983	11P3160	Bolt, tension	1	S96	C	HC1/20
	35P3160	Bracket, retaining (Mod. 869)	1	Spring Steel		
	36P3160	Clip, probe seal, forward (Mod. 869) ...	1	L72	MR	HC1/21
	37P3160	Clip, probe seal, aft (Mod. 869)	1	L72	MR	HC1/22
28U/14132	AS2393	Collar, at probe retaining straps	2	—	C	

EQUIPMENT, SPECIAL OPERATIONAL (S.O.O.)
FLIGHT REFUELLING IN NOSE (REMOVABLE FITTINGS)

Ref. No.	Part No.	Description	No. off	Matl. Spec.	Cl. of	Plate and Illust'n No.
					St.	
		1 2 3 4				
		FLIGHT REFUELLING EQUIPMENT IN NOSE (P3160) (Cont'd)				
10025	39P3160	FAIRING, PROBE, GROUP (Mod. 869)	1	—	B	HC1/23
28D/1013284 28W/9436805	AS1248/2C SP11/C	ATTACHMENTS FOR FAIRING 39P3160				
		Bolt, mush. hd., 2BA	18	—	C	
		Washer, 2BA	18	—	C	
10812	25P3160	Filter, blow off valve, bulkhead 470 (Copper gauze 26G x 0.4" dia.)	2	—	C	HC1/24
	12P3160	GUARD, FUEL PROBE AT RETAINING STRAP, BULKHEAD 470, GROUP	1	—	MR	HC1/25
	2P3160	PIPE, 22G x 1/4" o/d x 20" LONG, FROM BLOW-OFF VALVE TO TEE-PIECE BELOW GROUND CHARGING RECESS, GROUP	1	DTD323		HC1/26
13149	3P3160	PIPE, 22G x 3/8" o/d x 18" LONG, FROM TEE-PIECE TO GROUND CHARGING RECESS, GROUP	1	L56	C	HC1/27
13150	19P3160	PIPE, 22G x 1/4" o/d x 10" LONG, FROM TEE-PIECE TO BLOW OFF-VALVE, GROUP	1	DTD323	C	HC1/28
	24P/3160	PIPE, 22G x 3/8" o/d x 9" LONG, FROM FUEL PROBE TO TEE-PIECE, GROUP	1	L54	MR	HC1/29
	32P3160	PIPE, 22G x 3/8" o/d x 12" LONG, DE-ICING DRAIN AT TEE-PIECE, GROUP	1	L54	MR	HC1/30
	34P3160	PIPE, 22G x 3/8" o/d x 12" LONG, FROM N.R. VALVE TO TEE-PIECE, GROUP	1	L56	MR	HC1/31
	42P3160	PIPE, 22G x 3/8" o/d x 12" LONG, FROM N.R. VALVE TO FUEL PROBE, GROUP (Mod. 1422)	1	L56	MR	HC1/32
1433138	21P3698	PROBE, FLIGHT REFUELLING, GROUP (Mod. 2142) Spares for :—	1	—	A	HC1/33
	FLIGHT REFUELLING FRS325/R FRS325/V	Connector, pipe	1	—		HC1/34
		Connector, pipe	1	—		HC1/35

VULCAN Mk. 2

EQUIPMENT, SPECIAL OPERATIONAL (S.O.O.)
 FLIGHT REFUELLING IN NOSE (REMOVABLE FITTINGS)

Page HC. 3

Ref. No.	Part No.	Description	No. off	Matl. Spec.	Cl. of St.	Plate and Illust'n No.
					M.R.	
		1 2 3 4				
		PROBE, FLIGHT REFUELLING (21P3698) (Continued)				
	9P3698	CONNECTOR, PIPE, GROUP (Mod. 1422) Spares for:—	1	—	MR	HC1/36
27QM/397	DOWTY SP910/7	Seal	1	—	C	
	13P3698	CONNECTOR, PIPE, GROUP Spares for:—	1	—	MR	HC1/37
27QM/397	DOWTY SP910/7	Seal	1	—	C	
	FLIGHT REFUELLING 3408155 1SS4371	Nozzle, assembly, Mk. 8 (Mod. 2142) Screw, special, for bonding	1 1	— —	 MR	 HC1/38 HC1/39
	3P3698	TUBE, PROBE, GROUP Spares for:—	1	—	MR	HC1/40
	2P3698	TUBE, PROBE, FORWARD, GROUP	1	—	MR	
1433375	20P3698	TUBE, FUEL, FORWARD, GROUP (Mod. 2142)	1	—	B	HC1/41
	11P3698	TUBE, FUEL, AFT, GROUP Spares for:—	1	—	MR	HC1/42
	7P3183	CLIP, SPACER, GROUP	7	—	MR	HC1/43
	8P3698	CLIP, SPACER, GROUP	1	—		HC1/44
	4P3698	PIPE, FUEL, GROUP	1	—		HC1/45
	7P3698	Seal, silicone rubber	1	—	MR	HC1/46
	1SS4147	Washer, "D," at bonding clips	3	—	MR	HC1/47
	27P3160	Seal, probe (Mod. 869)	1	Neoprene	MR	HC1/48
7021	10P3160	STRAP, RETAINING, FUEL PROBE BULKHEAD 470, GROUP ATTACHMENTS—FOR PART No. 10P3160	2	—	C	HC1/49
28D/1011027	A25/27C	Bolt, 2 BA	2	—	C	
28M/1012015	AGS2001/C1/66	Nut, stiff, 2 BA	2	—	C	
	AS2811/5/261	Tube, distance	2	—	C	
28W/9419402	SP13/C	Washer, 2 BA	2	—	C	
	40P3160	Strip, sealing, for probe fairing (Mod. 869)	1	DTD762	MR	HC1/50

EQUIPMENT, SPECIAL OPERATIONAL (S.O.O.)
FLIGHT REFUELLING IN NOSE (REMOVABLE FITTINGS)

Ref. No.	Part No.	Description	No. off	Matl. Spec.	Cl. of St.	Plate and Illust'n No.
					M.R.	
1 2 3 4						
FLIGHT REFUELLING EQUIPMENT IN NOSE (P3160) (Continued)						
28U/13994	AS2390	Trunnion, for strap assembly	1	—	C	HC1/51
28U/13991	AS2384	Trunnion, for strap assembly	1	—	C	HC1/52
27QM/4173527	DOWTY D446Y	Valve, non-return	1	—	B	HC1/53
27VA/4625936	DUNLOP ACM15318	Valve, blow-off	1	—	A	HC1/54
	38P3160	Washer, "D," at probe seal clips	4	L72		HC1/55

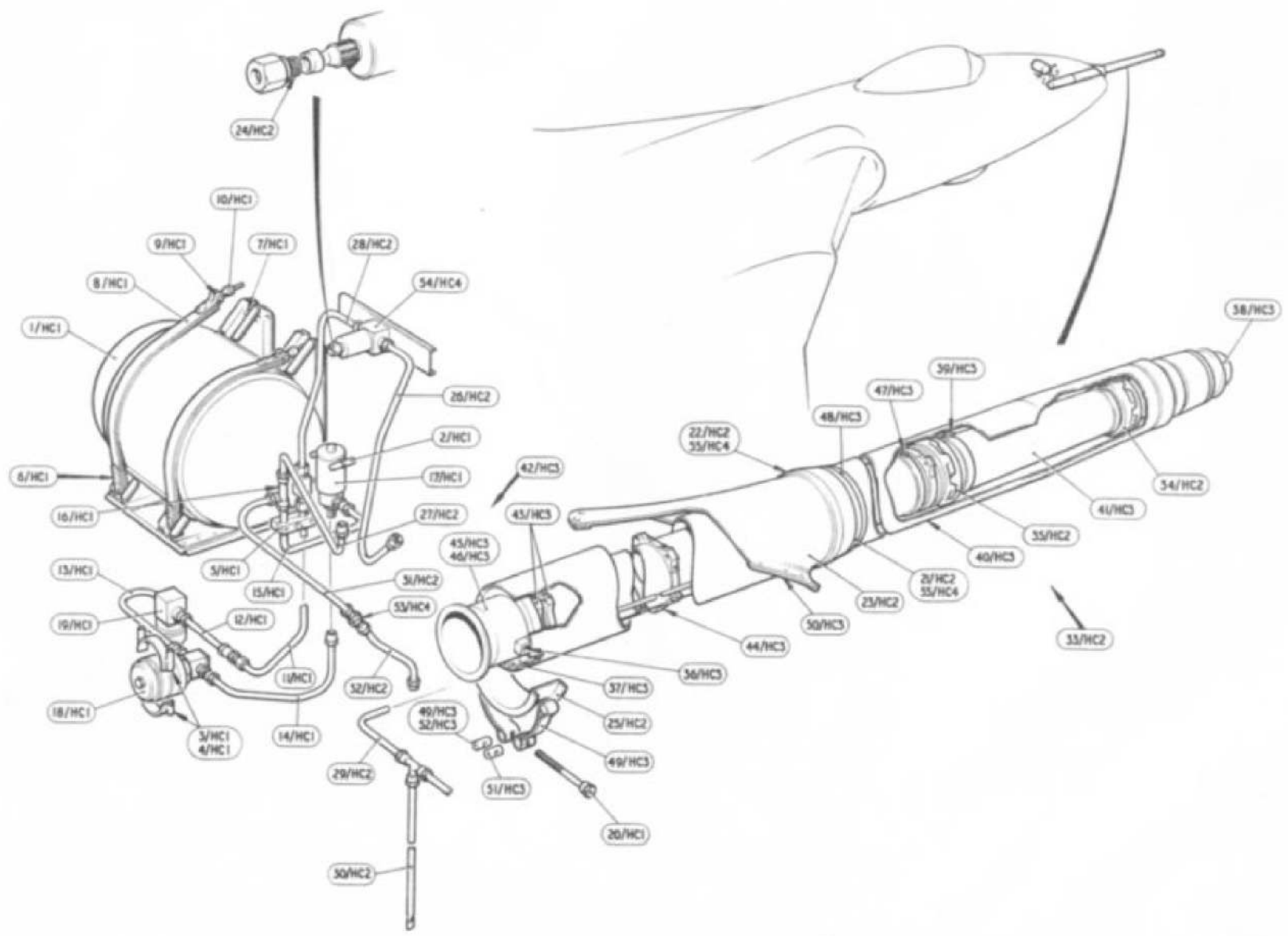
VULCAN Mk. 2

FLIGHT REFUELLING IN NOSE
SUMMARY OF STANDARD ITEMS

Page HC. 5

Stores Ref.		No. off	Stores Ref.		No. off	Stores Ref.		No. off
Section	Ref. No.		Section	Ref. No.		Section	Ref. No.	
28D	1011027	2	28W	9419402	2			
28D	1013284	18	28W	9436805	18			
28M	1278190	2	28U	13991	1			
			28U	13994	1			
			28U	14132	2			


EQUIPMENT SPECIAL OPERATIONAL (S.O.O.)
 FLIGHT REFUELLING IN NOSE. (REMOVABLE FITTINGS)



RESTRICTED

RESTRICTED

PLATE NO HCI
 ISSUE 1



This file was downloaded
from the RTFM Library.

Link: www.scottbouch.com/rtfm

Please see site for usage terms,
and more aircraft documents.