

VULCAN Mk. 2

EQUIPMENT SPECIAL OPERATIONAL (S.O.O.)

Page HD. 1

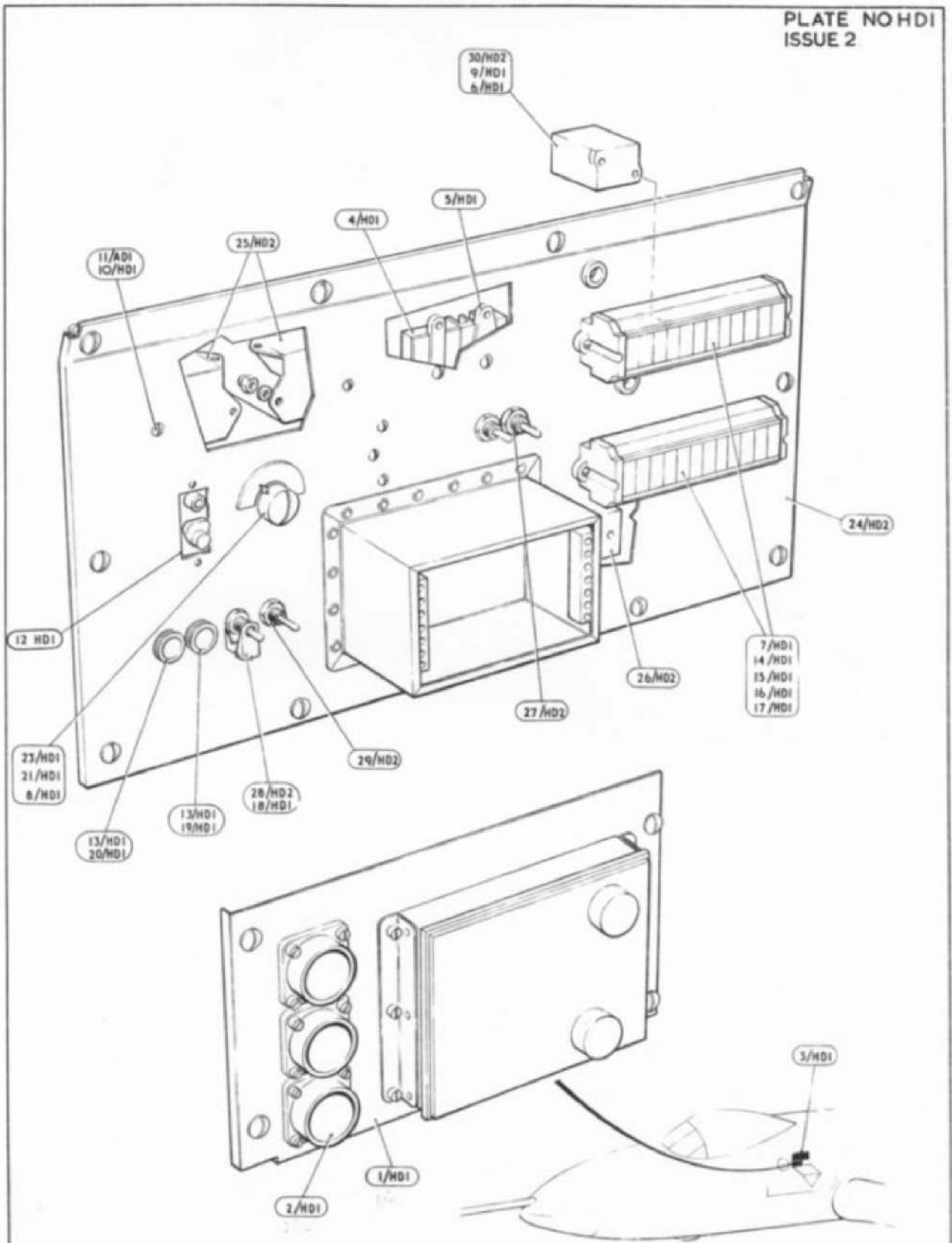
PANELS ALTERNATIVE

Ref. No.	Part No.	Description	No. off	Matl. Spec.	Cl. of	Plate and Illust'n No.
					St. M.R.	
		1 2 3 4				
		PANELS, ALTERNATIVE, AND EY MOUNTING CONTROL (V9365, V13200)				
8823	1V9365	PANEL, FOR MOUNTING EY CONTROL ... UNIT, GROUP (Mod. 536) Spares for:—	1	—	C	HD1/1
	CANNON 2182/10	Receptacle, dummy	3	—		HD1/2
	10V13200	PANEL, ALTERNATIVE FOR 600/950 ROLE, GROUP (Mod. 2087) Spares for:—	—	—		HD1/3
5X/44914769	1V7870	Block, terminal	1	—	C	HD1/4
5X/6200370	1V5650	Block, terminal	2	—	C	HD1/5
5X/9402792	—	Block, terminal	1	—	C	HD1/6
5X/4500052	—	Block, fuse, 12-way	2	—	C	HD1/7
26TA/11135	12SS5302	Bush, ring lock	2	—	C	
26TA/4723	22SS5302	Bush, ring lock	2	—	C	
	32SS5302	Bush, ring lock	1	—		
	E. K. COLE					
10H/0970184	—	Cap, retaining	1	—	C	HD1/8
5X/9435997	—	Cover, terminal block	1	—	C	HD1/9
5CY/4520	—	Cover, trip button	1	—	C	HD1/10
or						
5CY/4376509	—	Cover, trip button	1	—	C	
5CY/9992777	—	Circuit, breaker	1	—	C	HD1/11
	BERCO					
5CW/4400566	CD1502/1	Dimmer, R5 size	1	—	C	HD1/12
5X/9400056	—	Ferrule	2	—	C	
	PAGE					
	A259	Filament, lamp	2	—		HD1/13
10H/1043043	AS2.5	Fuse, 2.5 amp.	1	—		HD1/14
10H/9718192	AS5	Fuse, 5 amp.	4	—	C	HD1/15
10H/9718191	AS10	Fuse, 10 amp.	1	—	C	HD1/16
10H/1043045	AS15	Fuse, 15 amp.	1	—		HD1/17
17069	6V13200	GUARD, SWITCH, GROUP	1	—	C	HD1/18
	PAGE					
5CX/4330404	C500/A/8	Lamp, warning	1	—	C	HD1/19
10F/9561624	C500/C/8	Lamp, warning	1	—	C	HD1/20
	E. K. COLE					
10H/0970175	—	Knob, dimmer	1	—	C	HD1/21
5X/1059340	—	Link, commoning, 12-way	2	—	C	HD1/22
	1V14015	LOOM, CABLE, GROUP	1	—		
	E. K. COLE					
10H/0970183	—	Mounting, metal	1	—	—	HD1/23

EQUIPMENT SPECIAL OPERATIONAL (S.O.O.)

PANELS ALTERNATIVE

Ref. No.	Part No.	Description	No. off	Matl. Spec.	Cl. of	Plate and Illust'n No.
					St. M.R.	
		1 2 3 4				
		PANEL ALTERNATIVE FOR 600/1950 ROLE (10V13200) (Contd.)				
	11V13200	PANEL STRUCTURE, GROUP	1	-	-	HD1/24
		Spares for:-				
	800SS6003	Label	1	L59		
	801SS6003	Label	1	L59		
	806SS6033	Label	1	L59		
	807SS6033	Label	1	L59		
	808SS6033	Label	1	L59		
	686SS6004	Label	1	L59		
	706SS6004	Label	1	L59		
	68SS6039	Label	1	L59		
	69SS6039	Label	1	L59		
	352SS6039	Label	1	L59		
	353SS6039	Label	1	L59		
	354SS6039	Label	1	L59		
	1202SS6003	Label	1	L50		
	PLESSEY					
5CW/4400162	7CZ103739/2	Relay	2	-	C	HD1/25
6A/1200	-	Resistance, unit	1	-	B	HD1/26
5CW/4408116	-	Switch, single pole	1	-	B	HD1/27
5CW/4408125	-	Switch, double pole	1	-	B	HD1/28
5CW/4408116	-	Switch, toggle	2	-	B	HD1/29
5X/9402798	-	Socket, double tier	2	-	C	HD1/30



ALTERNATIVE PANELS, ALTERNATIVE PANEL FOR
600/950 ROLE AND MOUNTING PANEL FOR E.Y. UNIT
(1)

This file was downloaded
from the RTFM Library.

Link: www.scottbouch.com/rtfm

Please see site for usage terms,
and more aircraft documents.

