

VULCAN Mk. 2

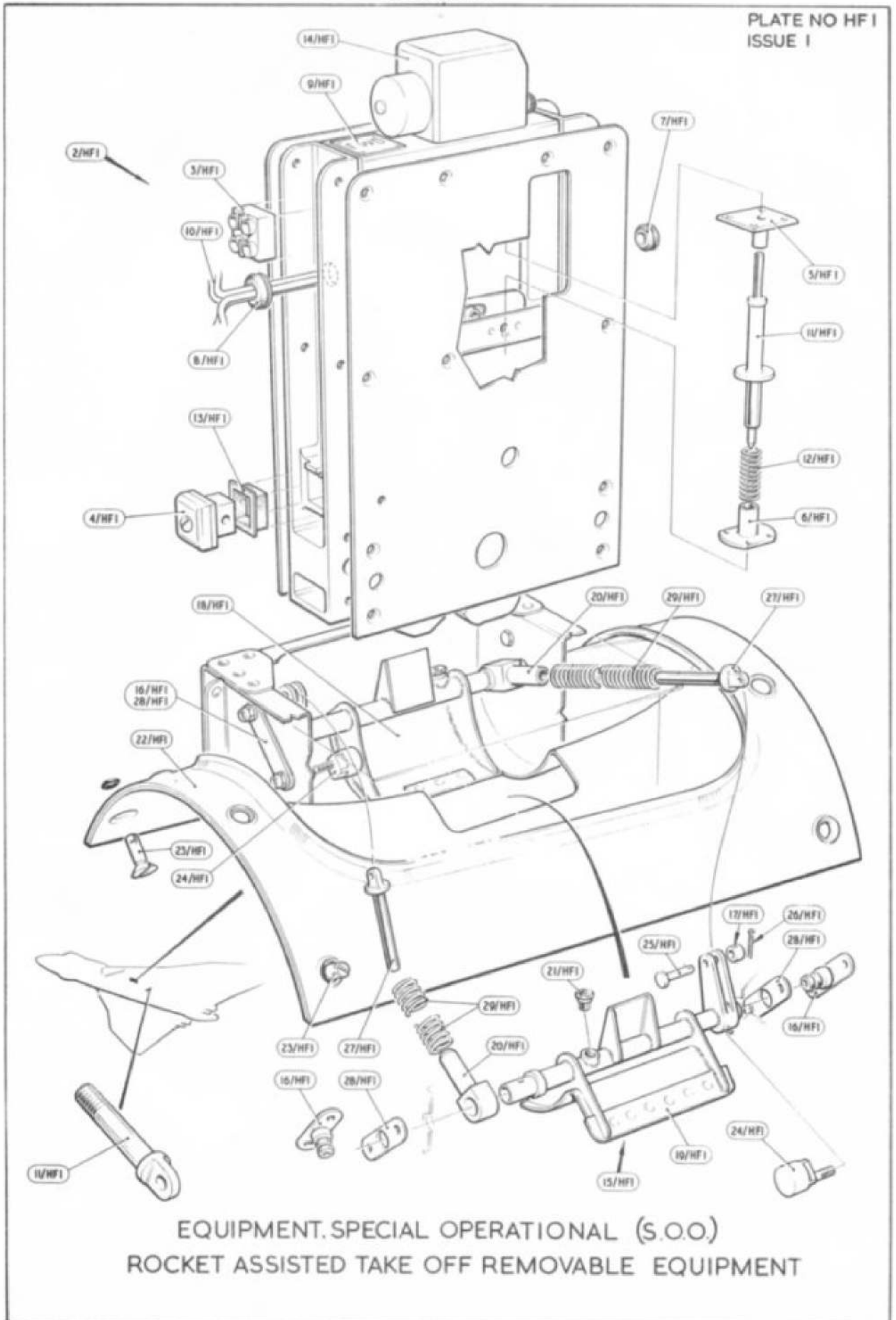
**ROCKET ASSISTED TAKE-OFF (REMOVABLE FITTINGS)
SUMMARY OF STANDARD ITEMS**

Page HF. 3

Stores Ref.		No. off	Stores Ref.		No. off	Stores Ref.		No. off
Section	Ref. No.		Section	Ref. No.		Section	Ref. No.	
28N 28N	5548 9156370	2 2						

RESTRICTED

PLATE NO HF I
ISSUE I



EQUIPMENT, SPECIAL OPERATIONAL (S.O.O.)
ROCKET ASSISTED TAKE OFF REMOVABLE EQUIPMENT

RESTRICTED



This file was downloaded
from the RTFM Library.

Link: www.scottbouch.com/rtfm

Please see site for usage terms,
and more aircraft documents.