

VULCAN Mk. 2

EQUIPMENT, SPECIAL OPERATIONAL (S.O.O.)

Page HG. 1

WINDOW LAUNCHING INSTALLATION, REMOVABLE FITTINGS

Ref. No.	Part No.	Description	No. off	Matl. Spec.	Cl. of	Plate and Illust'n No.
					St. M.R.	
		1 2 3 4				
		WINDOW LAUNCHING, REMOVABLE FITTINGS IN MAIN PLANES, PORT AND STARBOARD (22 & 23Z8277) (Mod. 1922)				
1510755	44Z8277	Spares for:— CHUTE, PRIMARY, LAUNCHING, PORT, . . GROUP (Mod. 2372)	1	—	A	HG1/1
1510756	45Z8277	CHUTE, PRIMARY, LAUNCHING, STAR- . . BOARD, GROUP (Mod. 2372)	1	—	A	HG1/2
	63Z10617	Spares for:— PANEL, MOUNTING, THROAT RESTRICTOR, GROUP (Mod. 1831)	1	—	MR	HG1/3
13701	65Z10617	Spares for:— HINGE, GROUP	1	—	C	
	67Z10617	Spares for:— Hinge (Make from AS1878/105)	1	—	MR	
	42Z8277	Spigot	2	S96	MR	HG1/4
	3Z8277	STAY, FORWARD & REAR, GROUP	2	—	MR	HG1/5
		Consisting of:—				
28R/19659	CM2B	Bearing, rod-end, 5/16" BSF, R.H.	1	—	B	
28R/4709682	CM2LB	Bearing, rod-end, 5/16" BSF, L.H.	1	—	B	
28M/1011470	A27/GT	Nut, lock, 5/16" BSF, R.H.	1	—	C	
28M/4095924	A27/GTL	Nut, lock, 5/16" BSF, L.H.	1	—	C	
28U/15100	SP33G	Turnbuckle	1	—	C	
		UNIT, STRIPPER AND CONTAINER, PORT AND STARBOARD (15 & 16Z10031) (Mod. 2372)				
		Spares for:—				
4361	3Z8279	Block, mounting	4	S1	C	HG1/6
	10SS4353	Bolt, for attaching bracket, Part No. 9Z10031	2	HTS	MR	HG1/7
	12SS4353	Bolt, for attaching secondary container	14	HTS	MR	HG1/8
	9Z10031	BRACKET, STOWAGE, STARBOARD, . . . GROUP	1	—		HG1/9
		Spares for:—				
10H/9512755	PLESSEY CZ56745	Socket, coupler	1	—	B	
5X/1109925	PLESSEY CZ56740	Socket, coupler	1	—	B	
1432745	3800V7909	CABLE, GROUP, STARBOARD	1	—	C	
1432746	3801V7909	CABLE, GROUP, STARBOARD	1	—	C	
26TA/4721	5SS4935	Clip, cable	2	—	C	HG1/10

EQUIPMENT, SPECIAL OPERATIONAL (S.O.O.)
WINDOW LAUNCHING INSTALLATION, REMOVABLE FITTINGS

Ref. No.	Part No.	Description	No. off	Matl. Spec.	Cl. of St.	Plate and Illust'n No.
					M.R.	
		1 2 3 4				
		UNIT, STRIPPER AND CONTAINER, PORT AND STARBOARD (7 & 8Z10031) (Cont'd)				
13369	98Z8226	CONTAINER, PRIMARY, WINDOW LAUNCHING, GROUP (Mod. 1922)	1	—	A	HG1/11
	67Z8226	Spares for:— BEAM, LIFTING, GROUP	1	—	MR	HG1/12
28FP/9429531	S4—225	Spares for:— Spring, Dzus	2	—	C	
	8Z8226	CHANNEL, GROUP	1	—	MR	HG1/13
	9Z8226	CHANNEL, GROUP	1	—		HG1/14
28FP/9434091	S3—175	Spares for:— Spring, Dzus	6	—	C	
	7Z8226	LID, BOX, HONEYCOMB SECTION, GROUP	1	—	MR	HG1/15
	7eZ8226	Spares for:— Hinge (Made from AS1877 x 7-1/2")	1	—		
	38Z8226	PIN, QUICK RELEASE, GROUP	2	—	MR	HG1/16
	38aZ8226	Consisting of:— Chain, chandelier, 3" long	1	Brass		
28FP/9713920	A411	Pin, pip	1	—	C	
	41bZ8226	Ring, split (Terry No. 169)	2	—		
	39Z8226	PIN, QUICK RELEASE, GROUP	1	—	MR	HG1/17
	39aZ8226	Consisting of:— Chain, chandelier, 3" long	1	Brass		
28FP/17	A512	Pin, pip	1	—	C	
	41bZ8226	Ring, split (Terry No. 169)	2	—		
	41Z8226	PIN, QUICK RELEASE, GROUP	1	—	MR	HG1/18
	41aZ8226	Consisting of:— Chain, chandelier, 3" long	1	Brass		
28FP/9507895	A608	Pin, pip	1	—	C	
	41bZ8226	Ring, split (Terry No. 169)	2	—		
	49Z8226	PIN, QUICK RELEASE, GROUP	2	—		HG1/19
	49aZ8226	Consisting of:— Chain, chandelier, 3" long	1	Brass		
28FP/1432	5255A/307	Pin, pip	1	—		
	41bZ8226	Ring, split (Terry No. 169)	1	—		
	12Z9871	CONTAINER, SECONDARY WINDOW LAUNCHING, PORT, GROUP (Mod. 1922)	1	—		HG1/20
	24Z9871	CONTAINER, SECONDARY WINDOW LAUNCHING, STARBOARD, GROUP (Mod. 2372)	1	—		HG1/21

EQUIPMENT, SPECIAL OPERATIONAL (S.O.O.)

WINDOW LAUNCHING INSTALLATION, REMOVABLE FITTINGS

Ref. No.	Part No.	Description	No. off	Matl. Spec.	Cl. of St.	Plate and Illust'n No.
					M.R.	
		1 2 3 4				
		CONTAINER, SECONDARY WINDOW ... LAUNCHING, PORT AND STARBOARD (12Z9871 & 24Z9871) (Cont'd)				
1510754	23Z9871	Spares for:— CHUTE, WINDOW LAUNCHING, STARBOARD, GROUP (Mod. 2372)	1	—	B	HG1/22
1510753	22Z9871	CHUTE, WINDOW, LAUNCHING, PORT, GROUP (Mod. 2372)	1	—	B	HG1/23
	63Z10617	Spares for:— PANEL, MOUNTING, THROAT RESTRICTOR, GROUP (Mod. 1831)	1	—	MR	HG1/24
13701	65Z10617	Spares for:— HINGE, GROUP	1	—	C	
	67Z10617	Spares for:— Hinge (Make from AS1878/105) .	1	—	MR	
13366	33Z9872	CONTAINER, GROUP (Mod. 1922)	1	—	A	HG1/25
	3Z9872	Spares for:— LID, CONTAINER, GROUP	1	—	MR	HG1/26
22728	2SS4935	Cradle	2	—	C	HG1/27
		CONTAINER SUB-ASSEMBLY, D.A. WINDOW (2Z11399), PORT (Mod. 2372)	—	—		
	7Z8277	Spares for:— Angle	2	—	MR	
4361	3Z8279	Block, mounting	4	—	C	
	8Z8277	BRACKET, GROUP	2	—	MR	
13101	15Z9871	CHUTE, WINDOW LAUNCHING, GROUP .	1	—	B	
	1Z11053	CONTAINER, SECONDARY WINDOW ... LAUNCHING, GROUP	1	—		
	6Z11053	Spares for:— Bracket, chute location	1	—		
	9Z11053	FAIRING, GROUP	1	—		
	3Z11053	LID, CONTAINER, GROUP	1	—		
	8Z11053	PANEL, AFT END, GROUP	1	—		
	2Z11053	PANEL, BOTTOM, GROUP	1	—		
	7Z11053	PANEL, FORWARD END, GROUP	1	—		
	4Z11053	PANEL, I/B SIDE, GROUP	1	—		

EQUIPMENT, SPECIAL OPERATIONAL (S.O.O.)
WINDOW LAUNCHING INSTALLATION, REMOVABLE FITTINGS

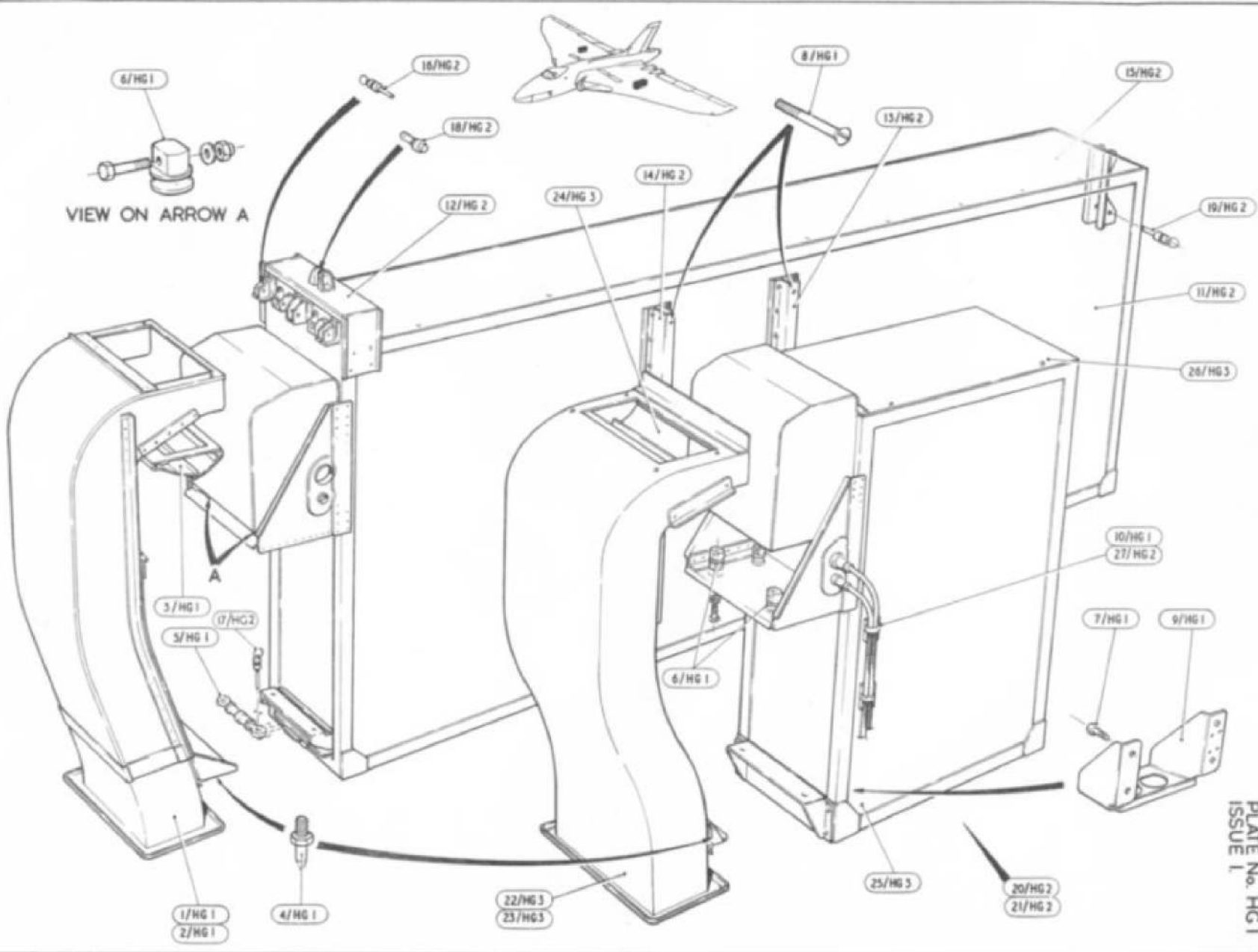
Ref. No.	Part No.	Description	No. off	Matl. Spec.	Cl. of St.	Plate and Illust'n No.
					M.R.	
		1 2 3 4				
10AS/460		CONTAINER, SECONDARY WINDOW ... LAUNCHING, GROUP (1Z11053) (Cont'd.)				
	5Z11053	PANEL, O/B SIDE, GROUP	1	-		
	17Z8226	PLATFORM, BASE, GROUP	1	-		
	15Z8226	PLATFORM, SIDE, GROUP	1	-		
	16Z8226	PLATFORM, SIDE, GROUP	1	-		
	10Z11053	Strap	2	-		
	11Z11053	Strap	2	-		
	12Z11053	Strap	2	-		
	-	UNIT, STRIPPER	1	-	A	

VULCAN Mk. 2

**WINDOW LAUNCHING INSTALLATION,
REMOVABLE FITTINGS
SUMMARY OF STANDARD ITEMS**

Stores Ref.		No. off	Stores Ref.		No. off	Stores Ref.		No. off
Section	Ref. No.		Section	Ref. No.		Section	Ref. No.	
28FP	17	1	28R	13509	2			
28FP	1432	2	28R	14689	2			
28FP	9429531	2						
28FP	9434091	6						
28FP	9507895	1						
28FP	9713920	2						
			28U	15100	2			
28M	13464	2						
28M	1011470	2						

EQUIPMENT SPECIAL OPERATIONAL (SO.)
 WINDOW LAUNCHING INSTALLATION REMOVABLE FITTINGS



RESTRICTED

RESTRICTED

PLATE No. HG 1
 ISSUE 1



This file was downloaded
from the RTFM Library.

Link: www.scottbouch.com/rtfm

Please see site for usage terms,
and more aircraft documents.