

VULCAN ML 2

EQUIPMENT, SPECIAL OPERATIONAL (S.O.O.)
 INSTALLATION OF ADDITIONAL CREW SEAT

Page HJ. 1

Ref. No.	Part No.	Description	No. off	Matl. Spec.	Cl. of St.	Plate and Illust'n No.
					M.R.	
		1 2 3 4				
		INSTALLATION OF ADDITIONAL CREW SEAT (1N1425) (Mod. 504)				
	1N1426	Spares for:— BACKREST, HINGED, AFT FACING, GROUP	1	—		HJ1/1
	3N1426	Spares for:— BACKREST, GROUP	1	—		HJ1/2
1433249	47N1426	Bracket, top, harness attachment	1	L72	C	HJ1/3
1505056	48N1426	Bracket, bottom, harness attachment	1	L72	C	HJ1/4
	4N1426	Bracket, hinge, top	1	L72		HJ1/5
	49N1426	Bracket, hinge, bottom	1	L72		HJ1/6
9387	50N1426	CABLE, GROUP	2	—	C	HJ1/7
	20N1426	Chain, Baxendale No. 287, 20 links	3	—		
17270	1N1431	HEADREST, AFT FACING, GROUP	1	—	C	HJ1/8
	AVIATION DEVELOPMENTS					
28FP/9433676	A421	Pin, pip	2	—	C	HJ1/9
28FP/1065	5134/423	Pin, pip	1	—	C	HJ1/10
29H/4290	TERRY No. 169	Ring, split, 1/2" dia.	3	—	C	
11328	3N1425	BACKREST, OUTBOARD, GROUP	1	—	B	HJ1/11
	1N1427	Spares for:— BACKREST, GROUP	1	—		HJ1/12
17364	5N1427	Spares for:— BRACKET, ATTACHMENT, GRP	1	—	C	HJ1/13
	6N1427	BRACKET, ATTACHMENT, GRP	1	—		HJ1/14
	5bN1427	Spares for:— Chain, Baxendale, No. 287, 20 links	1	—		
28FP/9713920	AVIATION DEVELOPMENTS					
	A411	Pin, pip	1	—	C	HJ1/15
29H/4290	TERRY No. 169	Ring, split, 1/2" dia.	1	—	C	
	4bN1427	Chain, Baxendale, No. 287, 16 links	2	—		
	5bN1427	Chain, Baxendale, No. 287, 20 links	2	—		
	17N1427	Hinge (made from AS1879/160)	1	—		HJ1/16
	AVIATION DEVELOPMENTS					
28FP/4070095	A414	Pin, pip, for bottom attachment	2	—	C	HJ1/17
28FP/4069840	A404	Pin, pip, for headrest attachment	2	—	C	HJ1/18
	TERRY					
29H/4290	No. 169	Ring, split, 1/2" dia.	4	—	C	
	1N1430	HEADREST, GROUP	1	—		HJ1/19

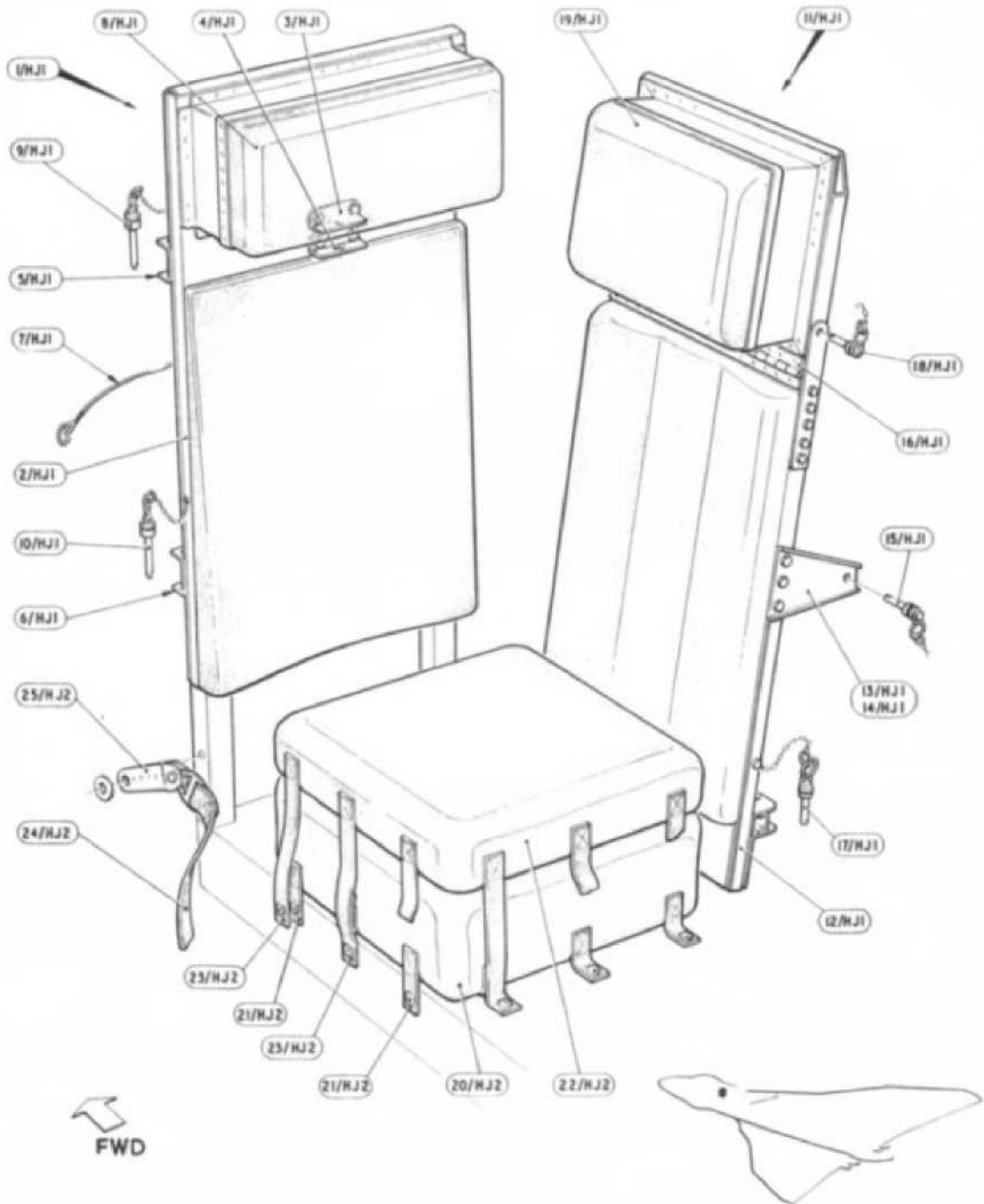
EQUIPMENT, SPECIAL OPERATIONAL (S.O.O.)
 INSTALLATION OF ADDITIONAL CREW SEAT

Ref. No.	Part No.	Description	No. off	Matl. Spec.	Cl. of St.	Plate and Illust'n No.
					M.R.	
		1 2 3 4				
		INSTALLATION OF ADDITIONAL CREW SEAT (1N1425) (Cont'd)				
9385	1N1428	CUSHION, 6" DEEP, GROUP	1	-	B	HJ1/20
	2N1428	Spares for:- STRAP, GROUP	6	-		HJ1/21
9386	11N1428	CUSHION, 3" DEEP, GROUP	1	-	B	HJ1/22
	17N1428	Spares for:- STRAP, GROUP	6	-		HJ1/23
6F/245	-	Harness, safety, type ZB	1	-	A	HJ1/24
8784	4N1425	HARNESS, EXTENSION, GROUP	1	-	B	HJ1/25

VULCAN Mk. 2

INSTALLATION OF ADDITIONAL CREW SEAT
SUMMARY OF STANDARD ITEMS

Stores Ref.		No. off	Stores Ref.		No. off	Stores Ref.		No. off
Section	Ref. No.		Section	Ref. No.		Section	Ref. No.	
28FP	1062	2						
28FP	1065	1						
28FP	9433676	2						
28FP	9713920	1						



EQUIPMENT SPECIAL OPERATIONAL (S.O.O)
ADDITIONAL CREW SEAT

This file was downloaded
from the RTFM Library.

Link: www.scottbouch.com/rtfm

Please see site for usage terms,
and more aircraft documents.

