

VULCAN Hk. 2

EQUIPMENT, SPECIAL OPERATIONAL (S.O.O.)

Page HK. 1

PANEL, TRACK AND GLIDE, 83P

Ref. No.	Part No.	Description	No. off	Matl. Spec.	Cl. of St.	Plate and Illust'n No.
					M.R.	
13424	6V11032	PANEL, TRACK AND GLIDE RELAY, ..... 83P, GROUP (Mod. 1856) Spares for:—	1	—	A	HK1/1
5CZ/5844	PLESSEY CE51101	Condenser, 50 UF, 70V .....	1	—	A	HK1/2
10AR/0970231	2V11032	Cover, potentiometer .....	1	L72		HK1/3
6403	— COLVERN N602	Lock, potentiometer .....	3	—	B	HK1/4
		Locknut .....	3	—	C	HK1/5
	1V13120	LOOM, CABLE, GROUP .....	1	—		HK1/6
	7V11031	PANEL, C/W LABELS, GROUP .....	1	—		HK1/7
	4V11032	Plate, cover .....	1	L72		HK1/8
10W/0271401	—	Potentiometer, type R.V.W.I. (Colvern) .....	3	—	B	HK1/9
5CW/4400265	BR210C3P1	Relay, series R .....	4	—	A	HK1/10
5CW/5191808	BR101PS	Socket, ceramic .....	4	—	B	HK1/11
	5V11032	UNIT, RESISTANCE, GROUP .....	1	—		HK1/12
10W/0113308	—	Spares for:— Resistor, type R.V.W.4-J .....	2	—	C	
	PLESSEY 2Z139599	Washer, panel packing .....	2	—		HK1/13



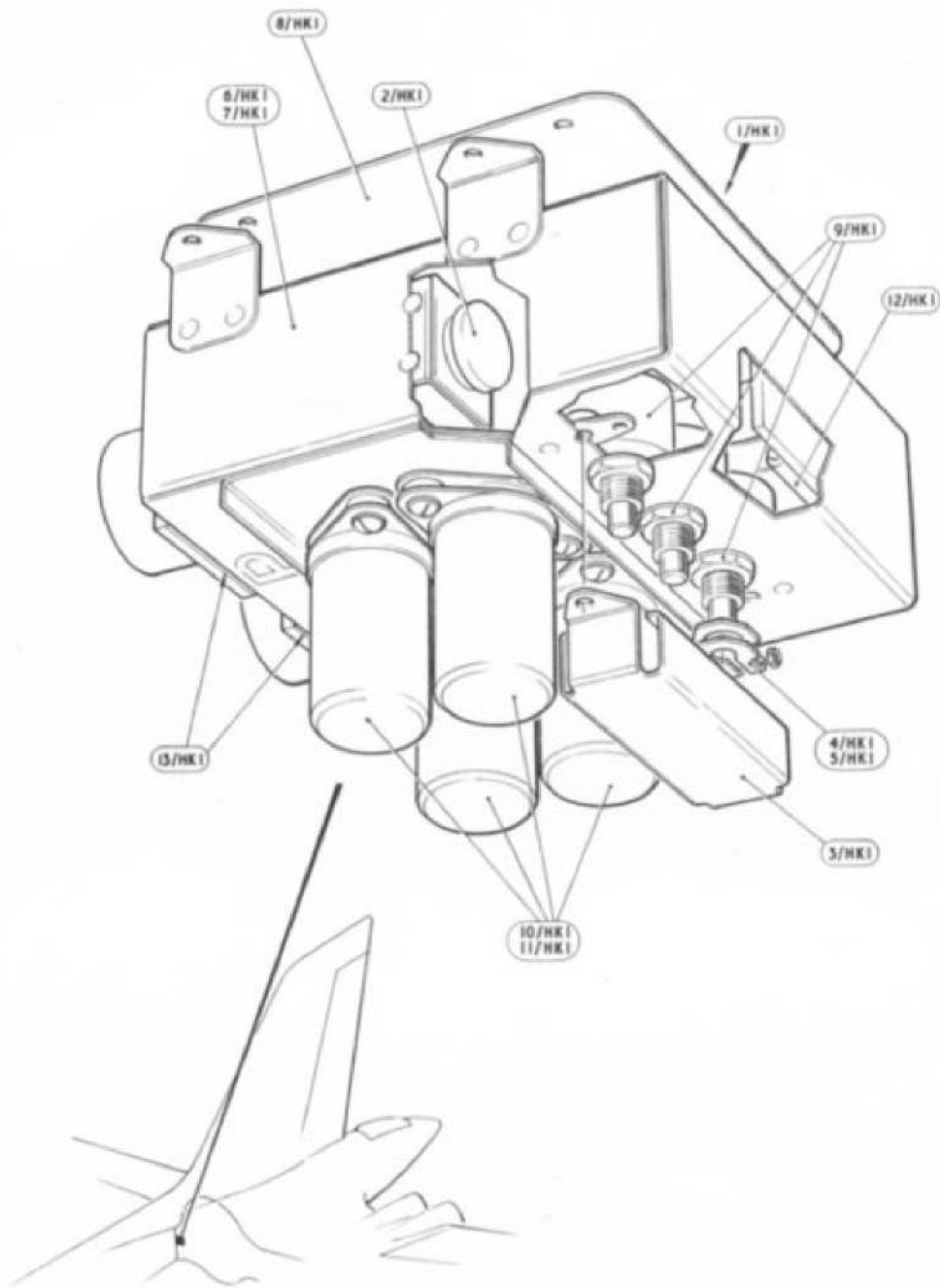
VULCAN MK. 2

**EQUIPMENT—SPECIAL OPERATIONAL  
SUMMARY OF STANDARD ITEMS**

Stores Ref.			Stores Ref.			Stores Ref.		
Section	Ref. No.	No. off	Section	Ref. No.	No. off	Section	Ref. No.	No. off
5CW	4198	1	10AK	Z970175	1	28N	5548	2
5CW	5014	2	10AK	Z970183	1	28N	5553	2
5CW	5064	1	10AK	Z970184	1	28N	9796	2
5CW	5765	1				28N	11403	1
5CW	5823	1				28N	11404	1
5CW	5825	2				28N	11405	3
5CW	5827	2	10W	Z216096	1			
5CW	6634	1						
			11A	3969	2	28P	815	2
5CX	1645	1	11A	4082	1	28P	1082	2
			11A	4404	1	28P	12531	2
						28P	12587	2
5CY	2561	1						
5CY	2562	1	27Q	607	1	28Q	1930	16
5CY	2563	1	27Q	1384	1			
5CY	2564	1						
5CY	4520	4						
			27VA	5218	1	28S	14546	48
						28S	Part No. A4101 No. 6	27
5CZ	5215	14						
5CZ	5216	3						
5CZ	5218	3	28D	8341	18	28W	12298	8
			28D	12512	8	28W	13323	1
			28D	12514	96	28W	14319	18
			28D	12570	48	28W	14886	48
5D	1541	2	28D	14522	32	28W	9418921	80
						28W	9419402	48
						28W	9419466	1
						28W	9419475	8
5H	5	1	28FP	6	2			
5H	11	1	28FP	17	1			
5H	18	1	28FP	23	1			
5H	27	4	28FP	325	6			
5H	74	1	28FP	481	4			
5H	75	2	28FP	617	10			
5H	87	1	28FP	768	2			
5H	93	2	28FP	9429531	2			
			28FP	9433676	1			
			28FP	Part No. 5255A/307	2			
5L	9962110	1						
			28K	2899	1			
5X	6623	1	28K	2904	1			
5X	7498	2						
			28M	10288	104			
6D	9429890	1	28M	10290	80			
			28M	10292	1			

RESTRICTED

PLATE NO HKI  
ISSUE 1



EQUIPMENT, SPECIAL OPERATIONAL (S.O.O)  
PANEL, TRACK & GUIDE 83P

RESTRICTED

This file was downloaded  
from the RTFM Library.

Link: [www.scottbouch.com/rtfm](http://www.scottbouch.com/rtfm)

Please see site for usage terms,  
and more aircraft documents.

