

VULCAN Mk. 2

EQUIPMENT SPECIAL OPERATIONAL (S.O.O.)

Page HL. 1

LONG RANGE SADDLE TANKS IN BOMB BAY (REMOVABLE FITTINGS)

Ref. No.	Part No.	Description	No. off	Mati. Spec.	Cl. of St.	Plate and illust'n No.
					M.R.	
		1 2 3 4				
	—	ARRANGEMENT OF TANKS IN BOMB BAY (1P3727) (Mod. 527 AND 528) Spares for:— INSTALLATION, FORWARD TANK (AFT POSITION) (1P3390) GROUP 100 (Mod. 527 PART C) INSTALLATION, FORWARD TANK (FORWARD POSITION) (2P3390) GROUP 101 (Mod. 527, PART B) Spares for:—				
7915	8SS4647 9P3390 19P3390 47SS4478 65SS4478	Bush Bush Bush Clip, half Clip, half	16 4 4 1 1	— S93 S93 — —	C MR MR MR MR	HL2/1 HL2/2 HL2/3 HL1/4 HL1/5
28D/1212402 28M/1012015 28W/9419475	A25/31C AGS.2001/C1166 SP15/C	ATTACHMENTS—CLIP 47 & 65 SS 4478 Bolt, 2 BA Nut, 2 BA Washer, 2 BA	2 2 2	— — —	C C C	
28E/9130219	42SS4490 26SS4490 AGS605/4 FLIGHT	Clip, bonding Clip, pipe Clip hose	4 12 4	— — —	MR MR C	HL1/6 HL1/7 HL1/8
27FR/ 1057698	REFUELLING FRS110/K FLIGHT REFUELLING FRS150/K AVIMO MR8610C/K	Connector, pipe Connector (Less FRS.292/K) Coupling, flexible, c/w "O" rings Spares for:—	3 2 1	— — —	C MR	HL1/9 HL1/10 HL1/11
13820	AVIMO MR.8609C/K 17P3390 12P3376 27P3290	Ring, "O" Gasket, vent valve Hose, rubber, 2-1/2" i/d x 4" long	2 1 1	— — DTD762 DTD625A	C MR MR	HL1/12 HL1/13 HL1/14
22908	103P3390 131P2898	Pipe, Flyflex (Pre-Mod. 2459) Pipe, flexible, Flylite (Mod. 2459) Pipe, Flylite refuelling	2 2 1	— — —	MR C MR	HL1/15
	22P3390 23P3390	PIPE, VENT, GROUP 100 (Mod. 527, PART C) PIPE, VENT, GROUP 101 (Mod. 527, Part B)	1 1	— —	MR MR	HL1/16 HL1/17
13968	14P3390	PIPE, VENT, GROUP 100 (Mod. 527, PART C)	1	—	C	HL1/18
28D/9436770 28W/9128914	A26/2C SP14/C	ATTACHMENTS—PIPE 14P3390 OR 23P3390 Bolt, 2 BA Washer, 2 BA	8 8	— —	C C	

EQUIPMENT SPECIAL OPERATIONAL (S.O.O.)

LONG RANGE SADDLE FUEL TANKS IN BOMB BAY (REMOVABLE FITTINGS)

Ref. No.	Part No.	Description	No. off	Matl. Spec.	Cl. of St.	Plate and Illust'n No.
					M.R.	
		1 2 3 4				
	5P3390	STRUT, FORE & AFT, PORT, GROUP 100 ... (Mod. 527 PART C)	1	—	MR	HL2/19
	6P3390	STRUT, FORE & AFT, STARBOARD, GROUP 100 (Mod. 527 PART C) Spares for:—	1	—	MR	HL2/20
	ROSE BROS. RMX6L	Bearing, rod-end, R.H.	1	—	MR	
	ROSE BROS. RMXR6L	Bearing, rod-end, L.H.	1	—	MR	
	4SS5025	Nut, lock, R.H.	1	—	MR	
	9SS5025	Nut, lock, L.H.	1	—	MR	
		ATTACHMENTS—STRUTS (5 & 6P3390)				
		Bolt, 3/8" BSF	1	—	C	
		Bolt, 3/8" BSF	1	—	C	
		Nut, slotted	2	—	C	
		Pin, split	2	—	C	
		Washer, 3/8" BSF	2	—	C	
		Washer, special	2	—	C	HL2/21
28D/20184	A59/7J					
28D/1213448	A59/10J					
28M/1011476	A27/JS					
28P/9527619	SP90/C7					
28W/9419477	SP15/J					
17228	3SS4667					
13963	20P3390	STRUT, VERTICAL GROUPS 100 & 101 (Mod. 527, PARTS B & C) Spares for:—	2	—	C	HL2/22
	ROSE BROS. RMX 6L	Bearing, rod-end, R.H.	1	—	MR	
	ROSE BROS. RS6	Bearing, spherical	1	—	MR	
	4SS5025	Nut, lock, R.H.	1	—	MR	
	W & S Ltd. W.S.20	Washer, retaining	2	—		
		ATTACHMENTS—STRUT 20P3390				
		Bolt, 3/8" BSF	1	—	C	
		Bolt, 3/8" BSF	1	—	C	
		Nut, slotted, 3/8" BS	2	—	C	
		Pin, split	2	—	C	
		Washer, 3/8" BSF	2	—	C	
		Washer, special	2	—	C	HL2/23
28D/1213515	A59/16J					
28D/1213448	A59/10J					
28M/1011476	A27/JS					
28P/9527619	SP90/C7					
28W/9419477	SP15/J					
17228	3SS4667					
	8P3390	STRUT, SIDE, PORT, GROUPS 100 & 101 ... (Mod. 527, PARTS B & C) Spares for:—	1	—	MR	HL2/24
	ROSE BROS. RMX 6L	Bearing, rod-end, R.H.	1	—	MR	
	ROSE BROS. RMX R6L	Bearing, rod-end, L.H.	1	—	MR	
	4SS5025	Nut, lock, R.H.	1	—	MR	
	9SS5025	Nut, lock, L.H.	1	—	MR	
		ATTACHMENTS—STRUT 9P3390				
		Bolt, special	1	—	MR	HL2/25
28D/1213448	A59/10J	Bolt, 3/8" BSF	1	—	C	
28M/1011476	A27/JS	Nut, slotted, 3/8" BSF	1	—	C	

EQUIPMENT SPECIAL OPERATIONAL (S.O.O.)

LONG RANGE FUEL TANKS IN BOMB BAY (REMOVABLE FITTINGS)

Ref. No.	Part No.	Description	No. off	Mati. Spec.	Cl. of St.	Plate and Illust'n No.
					M.R.	
		1 2 3 4				
		STRUT, VERTICAL PORT & STBD. GROUP 101 (12P3390) (Cont'd.)				
		ATTACHMENTS—STRUT 12P3390				
	4P3390	Bolt, special	1	—	MR	HL2/32
28D/1213448	A59/10J	Bolt, 3/8" BSF	1	—	C	
28M/1011467	A27/ES	Nut, slotted, 1/4" BSF	1	—	C	
28M/1011476	A27/JS	Nut, slotted, 3/8" BSF	1	—	C	
28P/9527619	SP90/C7	Pin, split	2	—	C	
28W/9419405	SP15/E	Washer, 1/4" BSF	1	—	C	
28W/9419477	SP15/J	Washer, 3/8" BSF	1	—	C	
17228	3SS4667	Washer, special	2	—	C	HL2/33
13976	13P3390	STRUT, FWD. SIDE, PORT GROUP 101 (Mod. 527, PART B) Spares for:—	1	—	B	HL2/34
	ROSE BROS. RMR6L	Bearing, rod-end, R.H.	1	—	MR	
	ROSE BROS. RMR6L	Bearing, rod-end, L.H.	1	—	MR	
	4SS5025	Nut, lock, R.H.	1	—	MR	
	9SS5025	Nut, lock, L.H.	1	—	MR	
		ATTACHMENTS—STRUT 13P3390				
	4P3390	Bolt, special	1	—	MR	HL2/35
28D/9435055	A59/11J	Bolt, 3/8" BSF	1	—	C	
28M/1011467	A27/ES	Nut, slotted, 1/4" BSF	1	—	C	
28M/1011476	A27/JS	Nut, slotted, 3/8" BSF	1	—	C	
28P/9527619	SP90/C7	Pin, split	2	—	C	
28W/9419477	SP15/J	Washer, 3/8" BSF	1	—	C	
28W/9419405	SP15/E	Washer, 1/4" BSF	1	—	C	
17228	3SS4667	Washer, special	2	—	C	HL2/36
	15P3390	STRUT, FWD. & AFT, PORT & STBD. GROUP 101 (Mod. 527, PART B) Spares for:—	2	—	MR	HL2/37
	ROSE BROS. RMR6L	Bearing, rod-end, R.H.	1	—	MR	
	ROSE BROS. RMR6L	Bearing, rod-end, L.H.	1	—	MR	
	4SS5025	Nut, lock, R.H.	1	—	MR	
	9SS5025	Nut, lock, L.H.	1	—	MR	
		ATTACHMENTS—STRUT 15P3390				
	4P3390	Bolt, special	2	—	MR	HL2/38
28M/1011467	A27/ES	Nut, slotted	2	—	C	
28P/9527619	SP90/C7	Pin, split	2	—	C	
28W/9419405	SP15/E	Washer, 1/4" BSF	2	—	C	
17228	3SS4667	Washer, special	2	—	C	HL2/39

VULCAN Mk. 2

EQUIPMENT SPECIAL OPERATIONAL

Page HL. 5

LONG RANGE SADDLE FUEL TANKS IN BOMB BAY (REMOVABLE FITTINGS)

Ref. No.	Part No.	Description	No. off	Mati. Spec.	Cl. of St.	Plate and illust'n No.
					M.R.	
		1 2 3 4				
		INSTALLATION, FWD. TANKS (FWD. & AFT POSITIONS (1 & 2P3390) GROUPS 100 & 101 (Mod. 527 & 528 PARTS B & C) (Cont'd.)				
	1P3595	SUPPORT STRUCTURE, FWD. STRUT, PORT, GROUP 101 (Mod. 527 PART B)	1	—		
	2P3595	SUPPORT STRUCTURE, FWD. STRUT, STBD., GROUP 101 (Mod. 527 PART B)	1			
	3P3595	Spares for:— Bracket, port	1	—	MR	HL2/40
	4P3595	Bracket, starboard	1	—	MR	HL2/41
		ATTACHMENTS — BRACKET, 3 & 4P3595				
28D/9133012	A25/3C	Bolt, 2 BA	4	—	C	
28M/1012015	AGS2001/C1/66	Nut, 2 BA	4	—	C	
28W/9419475	SP15/C	Washer, 2 BA	4	—	C	
13981	5P3595	STRUT, GROUP	1	—	B	HL2/42
		Spares for:—				
13983	5cP3595	Fork-end	1	—	C	
28M/1007404	A27/JT	Nut, 3/8" BSF	1	—	C	
		ATTACHMENTS—STRUT, 5P3595				
28D/1215683	A59/4E	Bolt, 1/4" BSF	2	—	C	
28M/1011467	A27/ES	Nut, slotted, 1/4" BSF	2	—	C	
28P/9567619	SP90/C7	Pin, split	2	—	C	
28W/9419403	SP15/E	Washer, 1/4" BSF	2	—	C	
587	1P3391	TANK & EQUIPMENT FWD., GROUP (Mod. 527 PART A)	1	—	A	HL2/43
		Spares for:—				
	SMITHS					
	BT21/7	Box, cable (Pre-Mod. 2086)	1	—		
6A/11283	BT21/31	Box, cable (Mod. 2086)	1	—	A	HL2/44
	50P3376	BOX, COLLECTOR, GROUP	2	—	MR	HL2/45
	33P3391	BOX, COLLECTOR, GROUP	2	—	MR	HL2/46
	40P3391	BRACKET, RETAINING, GROUP	4	—		HL2/47
	41P3391	BRACKET, RETAINING, GROUP	4	—		HL2/48
6A/4327943	SMITHS					
	LG3	Clamp, mounting	2	—	C	HL2/49
	26SS4490	Clip, bonding	16	—	MR	HL1/50
	5aSS4478	Clip, half	4	—	MR	HL1/51
	62SS4478	Clip, half	4	—	MR	HL1/52
		ATTACHMENTS—CLIPS, 52 & 62SS4478				
28D/1213386	A26/2C	Bolt, 2 BA	2	—	C	
28W/9128914	SP14/C	Washer, 2 BA	2	—	C	
	VICKERS					
	ARMSTRONG					
27F/4526669	A5269 Mk. A	Cock, drain, 1/4" BSP	4	—	C	HL2/53

EQUIPMENT SPECIAL OPERATIONAL (S.O.O.)

LONG RANGE SADDLE FUEL TANKS IN BOMB BAY (REMOVABLE FITTINGS)

Ref. No.	Part No.	Description	No. off	Matl. Spec.	Cl. of	Plate and Illust'n No.
					St. M.R.	
		1 2 3 4				
		TANK & EQUIPMENT FWD., GROUP (1P3391) (Mod. 527 PART A) (Cont'd)				
27FR/1057698	FLIGHT REFUELLING FRS.110/K FLIGHT REFUELLING FRS.150/K SMITHS LF17	Connector, pipe	8	—	C	HL1/54
		Connector, pipe	2	—	—	HL1/55
		Connector, bulkhead	1	—	—	HL2/56
		ELECTRICAL SERVICES FWD. TANK ... (1V8647), GROUP Spares for:—				
5X/6200370	1V5650	Block, terminal, TB. 311	1	—	C	HL2/57
	2713V7909	CABLE, (F2713) PUMPS TO PLUG 917, GROUP	1	—	—	
	2714V7909	CABLE, (F2714) PUMPS TO PLUG 918, GROUP	1	—	—	
	2717V7909	CABLE, (F2717) REFUELLING VALVE TO TB., GROUP	1	—	—	
	2718V7909	CABLE, (F2718) FLOAT SWITCH TO .. TB., GROUP	1	—	—	
	2719V7909	CABLE, (F2719) TB. TO PLUG 919, ... GROUP	1	—	—	
5K/9436899	NX 0	Clip, cable	14	—	C	HL2/58
5K/9325186	NX 1	Clip, cable	7	—	C	HL2/59
5K/9325187	NX 2	Clip, cable	4	—	C	HL2/60
6A/4327939	SMITHS PA24	Connector, cable, contents gauge to TB. .	1	—	C	HL2/61
6A/4327940	SMITHS LUA10	Connector, cable, cable box to bulkhead . connector	1	—	C	HL2/62
6A/4327941	SMITHS LJJ48	Connector, cable, cable box to fuel contents plug	1	—	C	HL2/63
6A/4327942	SMITHS PW62	Connector, cable, contents gauge to TB. .	1	—	C	HL2/64
	3V8647	Duct, cable	1	L72	—	HL2/65
	4V8647	Duct, cable	1	L72	—	HL2/66
	30SS4622	Duct, cable	1	L72	—	HL2/67
	311V7728	Label	1	—	—	HL2/68
	7V8647	Lid, duct	1	L72	—	HL2/69
	8V8647	Lid, duct	1	L72	—	HL2/70
	9V8647	Lid, duct	1	L72	—	HL2/71
5X/4491488	15V5650	Socket, single	1	—	C	HL2/72
	19P3376	Gasket	8	DTD762	MR	HL2/73
	26P3391	Gasket	4	DTD762	MR	HL2/74

VULCAN No. 2

EQUIPMENT SPECIAL OPERATIONAL (S.O.O.)

Page HL. 7

LONG RANGE SADDLE FUEL TANKS IN BOMB BAY (REMOVABLE FITTINGS)

Ref. No.	Part No.	Description	No. off	Matl. Spec.	Cl. of St.	Plate and Illust'n No.
					M.R.	
		1 2 3 4				
		TANK & EQUIPMENT FWD., GROUP (1P3391) (Mod. 527 PART A) (Cont'd.)				
	13P3376	Gasket	1	DTD762	MR	HL2/75
	14P3376	Gasket	1	DTD762	MR	HL1/76
	29P3376	Gasket	1	DTD762	MR	HL2/77
	SAUNDERS VALVE CO. A101/8	Handle, assembly	2	—		HL1/79
	31P3391	PANEL, VENT, GROUP	1	—	—	HL1/80
	32P3391	Spares for:— Gasket	1	—		
		ATTACHMENTS—PANEL, 31P3391				
28D/9133011	A25/2C	Bolt, 2 BA	24	—	C	
28F/9429636	AGS1186/3	Seal, bonded	24	—	C	
	5P3474	Piece, distance	4	—	C	HL2/81
	25P3391	PIPE, FUEL, BEND & ELBOW, GRP	2	—	MR	HL1/82
	27P3391	PIPE, FUEL, BEND & ELBOW, GRP	2	—	MR	HL1/83
	29P3391	PIPE, FUEL JUNCTION, GROUP	1	—	MR	HL1/84
	30P3391	PIPE, FUEL JUNCTION, GROUP	1	—	MR	HL1/85
1433517	20P3376	PLATE, STUD, GROUP	8	—	C	HL2/86
		Spares for:—				
	20cP3376	Stud	17	S110	MR	
28M/1010997	A24/CT	Nut, 2 BA	17	—	C	
	S.P.E. LTD. PAC1200 Mk. 3 or PAC1200 Mk. 4	Pump, fuel (not supplied with assembly .. spare)	4	—	—	HL2/87
5UE/4412045		Pump, fuel (not supplied with assembly .. spare)	4	—	A	
	8P2844	Ring, sealing	4	—	MR	HL2/88
	11P2831 FLIGHT REFUELLING	STOP, VENT VALVE, GROUP	1	—	MR	HL1/89
5CW/4405247	3510100/3	Switch, float Mk. 10 (not supplied with .. assembly spare)	1	—	A	HL2/90
	1P3392	TANK, STRUCTURE, FWD., GRP.	1	—		HL1/91
		Spares for:—				
		DIAPHRAGM, FWD. (1P3394)				
		Spares for:—				
28D/1011303	A25/13J	Bolt, 3/8" BSF	1	—	C	
	9P3380	Bracket, hoisting	1	S521	—	HL2/92
26TA/19346	AS2808/8/125	Tube, distance	1	—	C	
		DIAPHRAGM, AFT (1P3395)				
		Spares for:—				
28D/1011303	A25/13J	Bolt, 3/8" BSF	1	—	C	
	4P3395	Bracket, hoisting	1	S521	—	HL2/93
26TA/19346	AS2808/8/125	Tube, distance	1	—	C	

EQUIPMENT SPECIAL OPERATIONAL (S.O.O.)

LONG RANGE SADDLE FUEL TANKS IN BOMB BAY (REMOVABLE FITTINGS)

Ref. No.	Part No.	Description	No. off	Mati. Spec.	Cl. of St.	Plate and Illust'n No.
					M.R.	
		TANK STRUCTURE, FWD., GROUP (1P3392) (Cont'd.)				
		FITTINGS, PICK UP (1P3396)				
		Spares for:—				
	3SS5288	Bolt, special	8	—	—	HL2/94
28D/9436770	A26/2C	Bolt, 2 BA	12	—	C	
28D/1011466	A26/3C	Bolt, 2 BA	88	—	C	
28D/9436769	A26/4C	Bolt, 2 BA	4	—	C	
28D/1011303	A25/13J	Bolt, 3/8" BSF	2	—	C	
	5P3396	Bracket, hoisting	2	S521	MR	HL2/95
	6P3396	Fitting, fore, aft and side	1	DTD5020	MR	HL2/96
	7P3396	Fitting, fore and aft	1	DTD5020	MR	HL2/97
		Spares for:—				
	6bP3396	Bush	4	S93	MR	
	37P3396	Fitting, fore and aft, port	1	DTD5020	MR	HL2/98
	38P3396	Fitting, fore and aft, starboard	1	DTD5020	MR	HL2/99
	34P3396	Fitting, side, port side only	1	DTD5020	MR	HL2/100
	3P3396	Fitting, vertical	1	DTD5020	MR	HL2/101
	4P3396	Fitting, vertical	1	DTD5020	MR	HL2/102
	74P3396	Fitting	1	DTD5020	MR	HL2/103
	65P3396	Fitting	2	DTD5020	MR	HL2/104
	66P3396	Fitting	1	DTD5020	MR	HL2/105
28P/9433484	AGS1186/3	Seal, bonded	80	—	C	
28F/9429636	AGS1186/4	Seal, bonded	8	—	C	
		SKINNING ARRANGMENT, FWD. TANK (1P3393)				
		Spares for:—				
	94P3393	Panel, access	1	—	MR	HL1/106
		ATTACHMENTS—PANEL, 94P3393				
28D/9436770	A26/2C	Bolt, 2 BA	48	—	C	
28F/9433484	AGS1186/3	Seal, bonded	48	—	C	
6A/9565	SMITHS 57NT	UNIT, TANK, FUEL CONTENTS	2	—	A	HL2/78
		(not supplied with assembly spare)				
	15P3012	VALVE, FLOAT, GROUP (Mod. 1356)	1	—	MR	HL1/107
		Spares for:—				
	2P3012	Body, valve	1	L59	MR	HL1/238
	4P3012	Float, cork	1	—	MR	HL1/239
	7P3012	Housing, spring	1	L59	MR	HL1/240
	9P3012	Housing, valve	1	L59	MR	HL1/241
1433911	12P3012	Packing, 1/32" thick x 2-3/16" dia.	1	—	C	HL1/242
	3P3012	Sleeve, float	1	L59	MR	HL1/243
	6P3012	Spring, valve, inward	1	—	MR	HL1/244
	13P3012	Spring, valve, outboard	1	—	MR	HL1/245
	14P3012	Plate, retaining	1	—	MR	HL1/246
	FLIGHT REFUELLING C1140125 Mk. 40 SAUNDERS VALVE CO. 112AR60	Valve, refuelling (not supplied with assy spares for)	1	—	—	HL1/108
		Valve, 1-1/2" dia. (not supplied with assy spare)	1	—	—	HL1/109

VULCAN Mk. 2

EQUIPMENT SPECIAL OPERATIONAL (S.O.O.)

Page HL. 9

LONG RANGE SADDLE FUEL TANKS IN BOMB BAY (REMOVABLE FITTINGS)

Ref. No.	Part No.	Description	No. off	Matl. Spec.	Cl. of	Plate and Illust'n No.
					St. M.R.	
		1 2 3 4				
		TANK & EQUIPMENT, FWD., GROUP {1P3391} (Mod. 527 PART A) (Cont'd)				
	FLIGHT REFUELLING 9807100/3	Valve, non return (not supplied with assy. . . spare)	4	—		HL1/110
		INSTALLATION OF AFT TANK (1P3375) . . . (Mod. 528)				
		Spares for:—				
1433755	11SS4647	Bush	1	—	C	HL4/111
7917	15SS4647	Bush	1	—	C	HL4/112
7911	9SS4645	Bush	4	—	C	HL4/113
12670	42SS4490	Clip, bonding	4	—	C	HL3/114
	68SS4478	Clip, half	1	—		HL3/115
	or					
1505387	46SS4478	Clip, half	1	—	C	
20092	47SS4478	Clip, half	2	—	C	HL3/116
1433119	54SS4478	Clip, half	1	—	C	HL3/117
		ATTACHMENTS—CLIPS, 42, 47, 54 & 68SS4478				
28D/1017157	A25/25C	Bolt, 2 BA, used with clip 68SS4478	2	—	C	
28D/1011025	A25/24C	Bolt, 2 BA	2	—	C	
28D/1011024	A25/21C	Bolt, 2 BA	2	—	C	
28M/1012015	AGS2001/C1/66	Nut, 2 BA	4	—	C	
28W/9419402	SP13/C	Washer, 2 BA	4	—	C	
28E/9130219	AGS605/4	Clip, hose	8	—	C	HL3/118
	FLIGHT REFUELLING					
27FR/1057698	FRS110/K	Connector	3	—	C	HL3/119
	FLIGHT REFUELLING					
	FRS150/K	Connector	2	—	C	HL3/120
	AVIMO					
17010	MR8610C/K	Coupling, flexible, c/w "O" rings	1	—	C	HL3/121
		Spares for:—				
13820	Avimo MR8609C/K 26P3375	Ring, "O"	2	—	C	
		Hose, rubber, 2-1/2" i/d x 13.5" long	1	DTD625A		HL3/122
	27P3375	Hose, rubber, 2-1/2" i/d x 2.75" long	2	DTD625A		HL3/123
	12P3376	Hose, rubber, 2-1/2" i/d x 4.0" long	1	DTD625A		HL3/124
				Type 3		
17008	5P3594	LINK, GROUP	1	—	B	HL3/125
		Spares for:—				
17009	5bP3594	Bush	2	BS369	C	
		ATTACHMENTS—LINK, 5P3594				
28N/9513425	AGS899/12	Collar	1	—	C	
28P/1355803	SP4Z/M33	Pin, shackle	1	—	C	
28P/1221023	SP90/G12	Pin, split	1	—	C	

LONG RANGE SADDLE FUEL TANKS IN BOMB BAY (REMOVABLE FITTINGS)

Ref. No.	Part No.	Description	No. off	Matl. Spec.	Cl. of St.	Plate and Illust'n No.
					M.R.	
		1 2 3 4				
INSTALLATION OF AFT TANK (1P3375) (Mod. 528) (Cont'd)						
1432640	25P3375	Pipe, vent elbow	2	—	C	HL3/126
17007	28P3375	Pipe, vent	1	L54	C	HL3/127
17012	130P2898	Pipe, flexible refuelling	1	—	C	HL3/128
17013	17P3375	PIPE, FLEXIBLE, PORT, GROUP	1	—	C	HL3/129
17014	18P3375	PIPE, FLEXIBLE, STBD., GROUP	1	—	C	HL3/130
		Spares for:—				
	BOORN					
	FX150	Ferrule	2	—		
	17aP3375	Hose, 1-1/2" i/d x 13.25" long, port	1	—		
	18aP3375	Hose, 1-1/2" i/d x 12.3" long, starboard ...	1	—		
	BOORN					
	TB1181	Tailpiece	1	—		
	21P3375	Tailpiece, special, port	1	—		
	22P3375	Tailpiece, special, starboard	1	—		
13984	3P3375	STRUT, FWD. VERTICAL, GROUP	2	—	B	HL4/131
		Spares for:—				
13985	ROSE BROS. RMFX10G	Bearing, spherical, rod-end R.H.	1	—	C	
13987	ROSE BROS. RMFXL10G	Bearing, spherical, rod-end L.H.	1	—	C	
13986	3SS5020	Nut, lock, R.H.	1	—	C	
13988	6SS5020	Nut, lock, L.H.	1	—	C	
ATTACHMENTS—STRUT, 3P3375						
1505388	32P3586	Bolt, special	1	S94	C	HL4/132
17005	11P3375	Bolt, shouldered, 5/8" dia.	1	S94	C	
28M/1011001	A24/NS	Nut, slotted, 1/2" BSF	2	—	C	
28P/1202572	SP90/E9	Pin, split	2	—	C	
28W/9419479	SP15/N	Washer, 1/2"	2	—	C	
17011	18P3586	Washer, special	2	—	C	HL4/133
13989	4P3375	STRUT, FWD. SIDE, PORT, GROUP	1	—	B	HL4/134
		Spares for:—				
13990	ROSE BROS. RMX 6G	Bearing, spherical, rod-end R.H.	1	—	C	
13991	ROSE BROS. RMXL 6G	Bearing, spherical, rod-end L.H.	1	—	C	
13961	4SS5025	Nut, lock, R.H.	1	—	C	
13962	9SS5025	Nut, lock, L.H.	1	—	C	
ATTACHMENTS—STRUT, 4P3375						
28D/1213449	A59/12J	Bolt, 3/8" BSF	2	—	C	
28M/4095917	A24/JS	Nut, slotted, 3/8" BSF	2	—	C	
28P/9527619	SP90/C7	Pin, split	2	—	C	
17228	3SS4667	Washer, special	1	—	C	HL4/135
28W/9419475	SP15/C	Washer, 2 BA	1	—	C	

EQUIPMENT SPECIAL OPERATIONAL (S.O.O.)

LONG RANGE SADDLE FUEL TANKS IN BOMB BAY (REMOVABLE FITTINGS)

Ref. No.	Part No.	Description	No. off	Matl. Spec.	Cl. of St.	Plate and Illust'n No.
					M.R.	
1 2 3 4						
		INSTALLATION OF AFT TANK (1P3375) (Mod. 528) (Cont'd)				
13993	5P3375	STRUT, FORE & AFT, GROUP	2	—	B	HL4/136
		Spares for:—				
	ROSE BROS. RMX5G	Bearing, spherical, rod-end R.H.	1	—	MR	
	ROSE BROS. RMXL5G	Bearing, spherical, rod-end L.H.	1	—	MR	
	8SS5025	Nut, lock, L.H.	1	—	MR	
	3SS5020	Nut, lock, R.H.	1	—	MR	
	12P3375	ATTACHMENTS—STRUT, 5P3375				
		Bolt, shouldered, 5/16" dia.	1	S94	MR	HL4/137
28D/1213609	A59/9G	Bolt, 5/16" BSF	1	—	C	
28M/4095894	A24/ES	Nut, slotted, 1/4" BSF	1	—	C	
28M/4095895	A24/GS	Nut, slotted, 5/16" BSF	1	—	C	
28P/9527619	SP90/C7	Pin, split	1	—	C	
28W/9419405	SP15/E	Washer, 1/4"	1	—	C	
	2SS4667	Washer, special	1	—		HL4/138
13997	6P3375	STRUT, REAR, GROUP	2	—	B	HL4/139
		Spares for:—				
	ROSE BROS. RMFX10G	Bearing, spherical, rod-end R.H.	1	—	MR	
	3SS5020	Nut, lock, R.H.	1	—	MR	
	A59/33J	ATTACHMENTS—STRUT, 6P3375				
	11P3375	Bolt	1	—	C	
	10P3375	Bolt, shouldered, 5/8" dia.	1	S94		HL4/140
13819	A24/JS	Bolt, shouldered, 3/8" dia.	1	S94	C	HL4/141
28M/4095917	A24/NS	Nut, slotted, 3/8" BSF	1	—	C	
28M/1011001	SP90/E9	Nut, slotted, 1/2" BSF	1	—	C	
28P/1202572	SP90/C7	Pin, split	1	—	C	
28P/9527619	SP15/J	Pin, split	1	—	C	
28W/9419477	SP15/N	Washer, 3/8" BSF	1	—	C	
28W/9419479	SP15/N	Washer, 1/2" BSF	1	—	C	
17228	3SS4667	Washer, special	1	—		HL4/142
13999	7P3375	STRUT, REAR HORIZONTAL, GRP.	2	—	B	HL4/143
		Spares for:—				
	ROSE BROS. RMX 8G	Bearing, spherical, rod-end	1	—	MR	
	2SS5020	Nut	1	—	MR	
	9P3375	ATTACHMENTS—STRUT, 7P3375				
	8P3375	Bolt, shouldered, 3/4" dia.	1	S94	MR	HL4/144
	A24/ES	Bolt, shouldered, 1/2" dia.	1	S94	C	HL4/145
28M/4095894	A24/JS	Nut, slotted, 1/4" BSF	1	—	C	
28M/4095917	SP90/C7	Nut, slotted, 3/8" BSF	1	—	C	
28P/9527619	SP15/E	Pin, split	2	—	C	
28W/9419405	SP15/J	Washer, 1/4"	1	—	C	
28W/9419477	SP15/J	Washer, 3/8"	1	—	C	
17228	3SS4667	Washer, special	1	—	C	

LONG RANGE SADDLE FUEL TANKS IN BOMB BAY (REMOVABLE FITTINGS)

Ref. No.	Part No.	Description	No. off	Matl. Spec.	Cl. of St.	Plate and Illust'n No.
					M.R.	
		1 2 3 4				
588	1P3376	INSTALLATION OF AFT TANK (1P3375) (Mod. 528) (Cont'd) TANK & EQUIPMENT, AFT (Mod. 528), GROUP	1	—	A	HL3/146
		Spares for:—				
	SMITHS BT21/9	Box, cable	1	—		HL4/147
	50P3376	BOX, COLLECTOR, GROUP	4	—	MR	HL3/148
	69P3376	BRACKET, RETAINING, GROUP	8	—		HL3/149
	64P3376 SMITHS	BRACKET, VENT PIPE, GROUP	1	—	MR	HL3/150
6A/4327943	LG3	Clamp, mounting	4	—	C	HL4/151
	26SS4490	Clip, bonding	14	—	MR	HL3/152
	60SS4478	Clip, half	6	—	MR	HL3/153
	52SS4478	Clip, half	6	—	MR	HL3/154
		ATTACHMENTS—CLIPS, 52 & 60SS4478				
28D/1213092	A26/14C	Bolt, 2 BA	2	—	C	
28W/9436805	SP11/C	Washer, 2 BA	2	—	C	
28E/4710971	SP91/N VICKERS	Clip, hose, type J	2	—	C	HL3/155
27F/4526669	ARMSTRONG A5269 Mk. A	Cock, drain, 1/4" BSP	5	—	C	HL3/156
27F/2230	FLIGHT REFUELLING FRS110/K	Connector, pipe	8	—	C	HL3/157
	FLIGHT REFUELLING FRS150/K	Connector, pipe	2	—		HL3/158
	SMITHS LF17	Connector, bulkhead	1	—		HL4/159
	62P3376	COVER, VENT VALVE, GROUP	1	—		HL3/160
		ELECTRICAL SERVICES, AFT TANK . . . (1V8646), GROUP (Mod. 528)				
		Spares for:—				
5X/6200370	1V5650	BLOCK, TERMINAL TB. 307, GRP.	1	—	C	HL4/161
	2333V7909	CABLE, (F2333) TB. TO FLOAT SWITCH, GROUP	1	—		
	2334V7909	CABLE, (F2334) TB. TO REFUELLING VALVE, GROUP	1	—		
	2337V7909	CABLE, (F2337) TB. TO SOCKET 927, GROUP	1	—		
	2701V7909	CABLE, (F2701) TO SOCKET 925, PUMP MOTORS, GROUP	1	—		
	2702V7909	CABLE, (F2702) TO SOCKET 926, PUMP MOTORS, GROUP	1	—		

EQUIPMENT SPECIAL OPERATIONAL (S.O.O.)

LONG RANGE SADDLE FUEL TANKS IN BOMB BAY (REMOVABLE FITTINGS)

Ref. No.	Part No.	Description	No. off	Matl. Spec.	Cl. of St.	Plate and Illust'n No.
					M.R.	
		1 2 3 4				
ELECTRICAL SERVICES, AFT TANK (1V8646) (Cont'd)						
Spares for:—						
26FP/13183	24SS3264	Clip, cable	6	—	C	HL4/162
5K/9436899	NX 0	Clip, cable	27	—	C	HL4/163
5K/9325186	NX 1	Clip, cable	18	—	C	HL4/164
	SMITHS PW54	Connector, cable, bulkhead connector . . . LF 17 to contents gauges	1	—	—	HL4/165
	SMITHS PAL 49	Connector, cable, between contents gauges	1	—	—	HL4/166
	SMITHS PA80	Connector, cable, between contents gauges	1	—	—	HL4/167
6A/4327940	SMITHS LUA 10	Connector, cable, cable box to bulkhead . connector	1	—	C	HL4/168
	SMITHS LJJ33	Connector, cable, cable box to fuel contents gauge	1	—	—	HL4/169
	3V8646	Duct, cable	1	L72	—	HL4/170
	4V8646	Duct, cable	2	L72	—	HL4/171
	8V8646	Duct, cable	1	L72	—	HL4/172
7685	22SS4622	Duct, cable	1	L72	C	HL4/173
	70SS4622	Duct, cable	1	L72	—	HL4/174
	10SS4622	Duct, cable	1	L72	MR	HL4/175
	307V7728	Label, TB. 307	1	L72	—	HL4/176
	12V8646	Lid, duct	1	L72	—	HL4/177
	14V8646	Lid, duct	1	L72	—	HL4/178
	16V8646	Lid, duct	1	L72	—	HL4/179
	18V8646	Lid, duct	1	L72	—	HL4/180
	19V8646	Lid, duct	1	L72	—	HL4/181
	21V8646	Lid, duct	2	L72	—	HL4/182
	22V8646	Lid, duct	2	L72	C	HL4/183
5X/4491488	15V5650	Socket, single	4	—	C	HL4/184
	8P3376	Gasket	1	DTD762	MR	HL3/185
	13P3376	Gasket	1	DTD762	MR	HL3/186
	14P3376	Gasket	1	DTD762	MR	HL3/187
	19P3376	Gasket	8	DTD762	MR	HL3/188
	29P3376	Gasket	1	DTD762	MR	HL4/189
	45P3376	Gasket	4	DTD762	MR	HL3/190

LONG RANGE SADDLE FUEL TANKS IN BOMB BAY (REMOVABLE FITTINGS)

Ref. No.	Part No.	Description	No. off	Matl. Spec.	Cl. of	Plate and Illust'n No.
					St.	
		1 2 3 4				
		TANK & EQUIPMENT, AFT (1P3376) (Cont'd)				
	SAUNDERS VALVE A101/B 12P3376	Handle	2	—	—	HL3/193
		Hose, rubber, 2-1/2" i/d x 4.0" long	1	DTD625A	—	HL3/194
	40P3376 5P3474	Mounting, connector	1	Type 3 S521	MR	HL4/195
		Piece, distance	4	—	MR	HL3/196
	46P3376	PIPE, FUEL, GROUP	1	—	MR	HL3/197
	47P3376	PIPE, FUEL, GROUP	1	—	MR	HL3/198
	53P3376	PIPE, FUEL, GROUP	1	—	MR	HL3/199
	54P3376	PIPE, FUEL, GROUP	1	—	MR	HL3/200
	55P3376	PIPE, FUEL, GROUP	1	—	MR	HL3/201
	56P3376	PIPE, FUEL, GROUP	1	—	MR	HL3/202
	25P3376	Plate	4	S521	—	HL4/203
1433517	20P3376	PLATE, STUD, GROUP	8	—	C	HL3/204
		Spares for:—				
	20cP3376	Stud	17	—	MR	
28M/1010997	A24/CT	Nut, 2 BA	17	—	C	
	S.P.E. PAC1200 Mk. 3 or PAC1200 Mk. 4 8P2844	Pump, fuel (not supplied with assy. spare) ..	4	—	—	HL3/205
5UE/7518		Pump, fuel (not supplied with assy. spare) ..	4	—	A	
		Ring, sealing	4	—	MR	HL3/206
	11P2831 FLIGHT REFUELLING	STOP, VENT VALVE, GROUP	1	—	MR	HL3/207
5CW/4405247	3510100/3	Switch, float Mk. 10 (not supplied with assy. spare)	1	—	A	HL3/208
	1P3377	TANK, STRUCTURE, GROUP	1	—	—	HL4/209
		Spares for:—				
	1P3386	BEAM, FWD. HOISTING, GROUP	1	—	—	HL4/210
		Spares for:—				
28D/1011301	A25/BJ	Bolt, 3/8" BSF	1	—	C	
28M/1011476	A27/JS	Nut, slotted, 3/8" BSF	1	—	C	
28P/9527619	SP90/C7	Pin, split	1	—	C	
	AS2808/8/075	Tube, distance	1	—	—	
28W/9419466	SP13/J	Washer, 3/8"	1	—	C	
28D/9140853	A26/1E	ATTACHMENTS—BEAM, 1P3386 Bolt, 1/4" BSF	4	—	C	

EQUIPMENT SPECIAL OPERATIONAL (S.O.O.)

LONG RANGE SADDLE FUEL TANKS IN BOMB BAY (REMOVABLE FITTINGS)

Ref. No.	Part No.	Description				No. off	Matl. Spec.	Cl. of St.	Plate and Illust'n No.
		1	2	3	4			M.R.	
		TANK, STRUCTURE, GROUP (1P3377) (Cont'd.)							
		DIAPHRAGM, AFT (1P3389)							
		Spares for:—							
		Bracket, hoisting				1	—		HL4/211
28D/1011303	9P3380	Bolt, 3/8" BSF				1	—	C	
28M/1011476	A25/13J	Nut, slotted, 3/8" BSF				1	—	C	
28P/9527619	A27/JS	Pin, split				1	—	C	
26TA/19346	SP90/C7	Tube, distance				1	—		
28W/9419466	AS2808/8/125	Washer, 3/8"				1	—	C	
	SP13/J	ATTACHMENTS—BRACKET 1P3389							
28D/9133011	A26/2C	Bolt, 2 BA				4	—	C	
28F/9429636	AGS1186/3	Seal, bonded				4	—	C	
		PICK UP FORMER STNS. 17.58 & 77.05 (1P3384 & 2P3385)							
		Spares for:—							
	11P3384	Tube, cross				2	—		HL4/212
		ATTACHMENTS—TUBE, 11P3384							
28M/1011476	12P3384	Bolt, special				2	—	C	
28P/9496825	A27/JS	Nut, slotted, 3/8" BSF				2	—	C	
28W/9419466	SP90/C9	Pin, split				2	—	C	
26TA/2627	SP13/J	Washer, 3/8"				2	—	C	
	5SS4667	Washer				2	—		
		SKINNING ARRANGEMENT, AFT							
		TANK (1P3378)							
		Spares for:—							
	37P3378	FITTING, FORE & AFT, PICK-UP,				1	—		HL4/213
		PORT, GROUP							
	38P3378	FITTING, FORE & AFT, PICK-UP,				1	—		HL4/214
		STBD., GROUP							
	43P3378	FITTING, FWD., PICK-UP, PORT,				1	—		HL4/215
		GROUP							
	44P3378	FITTING, FWD., PICK-UP, STBD.,				1	—		HL4/216
		GROUP							
	47bP3378	Spares for:—							
		Bush				2	S93	MR	
	45P3378	FITTING, AFT, PICK-UP, PORT,				1	—		HL4/217
		GROUP							
	46P3378	FITTING, AFT, PICK-UP, STBD.,				1	—		HL4/218
		GROUP							
	45bP3378	Spares for:—							
		Bush				2	S93	MR	
	47P3378	FITTING, AFT, PICK-UP, PORT,				1	—		HL4/219
		GROUP							
	48P3378	FITTING, AFT, PICK-UP, STBD.,				1	—		HL4/220
		GROUP							
	47bP3378	Spares for:—							
		Bush				2	S93	MR	

LONG RANGE SADDLE FUEL TANKS IN BOMB BAY (REMOVABLE FITTINGS)

Ref. No.	Part No.	Description	No. off	Matl. Spec.	Cl. of St.	Plate and Illust'n No.
					M.R.	
		1 2 3 4				
		SKINNING ARRANGEMENT, AFT TANK (1P3378) (Cont'd.)				
		ATTACHMENTS—FITTINGS, 37, 38, 43, 44, 45, 46, 47 & 48P3378				
28D/1011466	A26/3C	Bolt, 2 BA	24	—	C	
28D/1007700	A26/3E	Bolt, 1/4" BSF	44	—	C	
27F/9429636	AGS1186/3	Seal, bonded	24	—	C	
27F/9428450	AGS1186/4	Seal, bonded	44	—	C	
17015	1P3733	Panel, access	1	—		HL4/221
		ATTACHMENTS—PANEL, 1P3733				
28D/9133011	A26/2C	Bolt, 2 BA	54	—	C	
27F/9429636	AGS1186/3	Seal, bonded	54	—	C	
28R/1052624	AS103	Pulley	2	—	B	HL4/222
		ATTACHMENTS—PULLEY, AS103				
28D/1212320	A60/7E	Bolt, 1/4" BSF	1	—	C	
28M/7002430	AGS2002/E1	Nut, 1/4" BSF	1	—	C	
	AS2808/6/049	Tube, distance	1	—		
28W/9418921	SP13/E	Washer, 1/4"	1	—	C	
	63P3376	TUBE, VENT VALVE, GROUP	1	—		HL3/223
	SMITHS					
6A/10484	59TN	UNIT, TANK, FUEL CONTENTS, FWD. (not supplied with assy. spare)	2	—	A	HL4/191
	SMITHS					
6A/10485	60TN	UNIT, TANK, FUEL CONTENTS, AFT	2	—	A	HL4/192
	15P3012	VALVE, FLOAT, GROUP (Mod. 1356)	1	—	MR	HL3/224
		Spares for:—				
	2P3012	Body, valve	1	L59	MR	HL3/225
	4P3012	Float, cork	1	—	MR	HL3/226
	7P3012	Housing, spring	1	L59	MR	HL3/227
	9P3012	Housing, valve	1	L59	MR	HL3/228
1433911	12P3012	Packing, 1/32" thick x 2-3/16" dia.	1	—	C	HL3/229
	3P3012	Sleeve, float	1	L59	MR	HL3/230
	6P3012	Spring, valve, inward	1	—	MR	HL3/231
	13P3012	Spring, valve, outward	1	—	MR	HL3/232
	14P3012	Plate, retaining	1	—	MR	HL3/233
	FLIGHT REFUELLING C1140130 SAUNDERS VALVE 112AR60 FLIGHT REFUELLING 9807100/3 26P3376	Valve, refuelling, Mk. 40	1	—		HL3/234
		Valve, 1-1/2" dia.	2	—		HL3/235
		Valve, non-return	4	—		HL3/236
		Washer	4	J26		HL4/237

VULCAN Mk. 2

EQUIPMENT SPECIAL OPERATIONAL (S.O.O.)

Page HL. 17

LONG RANGE SADDLE TANKS IN BOMB BAY (REMOVABLE FITTINGS)

Ref. No.	Part No.	Description	No. off	Matl. Spec.	Cl. of St.	Plate and Illust'n No.
					M.R.	
		1 2 3 4				
	—	INSTALLATION OF PRESSURISATION				
		PANEL, BOMB BAY TANK				
		Spares for:—				
28F/2231741	AGS1145/A	Body, union	3	—	C	
28F/2231742	AGS1145/B	Body, union	1	—	C	HL5/230
	175SS3553	Body, union	1	—		HL5/231
1432633	32P3590	CAP, PLUG SEALING, GROUP	1	—	C	HL5/232
		Consisting of:—				
28D/1008147	A25/1A	Bolt	1	—	C	
	32aP3590	Cap, plug, sealing	1	—		
	BAXENDALE & Co. No. 287	Chain	1			
	AGS2002/N	Nut, stiff	1			
	AS2806/3/018	Piece, distance	1			
	TERRY LTD. No. 168	Ring, 3/8" o/d x 20G	1			
28W/9419446	SP10/A	Washer	2	—	C	
	3865V7909	CABLE, GROUP (F3865)	1			HL5/233
	8Z7364	CHAIN, GROUP	3	—	MR	HL5/234
		Consisting of:—				
	8aZ7364	Chain, chandelier	3	Brass		
	8bZ7364	Ring, split	6			
5K/9436899	NXO	Clip	2	—		HL5/235
		Attachments for Clip, 1SS4657				
28D/1010658	A25/1B	Bolt, 4 UNC	1	—	C	HL5/236
28D/1008149	A25/2B	Bolt, 4 UNC	1	—	C	HL5/237
28W/9419401	SP10/B	Washer	2	—	C	
	TEDDINGTON CONTROLS LTD.					
27V/4604699	FOD/A/5	Drier, air	1	—	A	HL5/238
	2SS1585	Lug	1	—	MR	HL5/239
	1P3591	PANEL, C/W BRACKETS, GROUP	1			HL5/240

EQUIPMENT SPECIAL OPERATIONAL (S.O.O.)

LONG RANGE SADDLE TANKS IN BOMB BAY (REMOVABLE FITTINGS)

Ref. No.	Part No.	Description	No. off	Matl. Spec.	Cl. of St.	Plate and Illust'n No.
					M.R.	
		1 2 3 4				
		INSTALLATION OF PRESSURISATION PANEL BOMB BAY TANK (1P3590) (Cont'd.)				
28F/9440881	AGS1118/A	Piece, tee	2	—	C	HL5/241
28F/8011811	AGS1118/8	Piece, tee	1	—	C	HL5/242
28F/9463542	AGS1120/6	Piece, tee, unequal	2	—	C	HL5/243
28F/4051807	AGS1122/2	Piece, tee	1	—	C	HL5/244
	5P3590	PIPE, 1/4" o/d x 17" long x 22G, GROUP	1	L56	MR	HL5/245
	6P3590	PIPE, 3/16" o/d x 12" long x 22G, GROUP	1	L56	MR	HL5/246
	7P3590	PIPE, 3/16" o/d x 13" long x 22G, GROUP	1	L56	MR	HL5/247
	8P3590	PIPE, 1/2" o/d x 8" long x 22G, GROUP	1	DTD253	MR	HL5/248
	9P3590	PIPE, 3/16" o/d x 11" long x 22G, GROUP	1	L54	MR	HL5/249
	10P3590	PIPE, 3/16" o/d x 13" long x 22G, GROUP	—	L54	MR	HL5/250
	11P3590	PIPE, 3/16" o/d x 8" long x 22G, GROUP	1	L56	MR	HL5/251
	12P3590	PIPE, 3/16" o/d x 13" long x 22G, GROUP	1	L56	MR	HL5/252
	14P3590	PIPE, 1/4" o/d x 6" long x 22G, GROUP	1	L56	MR	HL5/253
	15P3590	PIPE, 1/4" o/d x 6" long x 22G, GROUP	1	L56	MR	HL5/254
	16P3590	PIPE, 3/16" o/d x 17" long x 22G, GROUP	1	L56	MR	HL5/255
	17P3590	PIPE, GROUP	1	—	MR	HL5/256
		Consisting of:—				
	17aP3590	Pipe, 1/2" o/d x 2" long x 22G	1	Tungam		
	17cP3590	Pipe, 5/8" o/d x 6" long x 22G	1	Tungam		
	17dP3590	Pipe, 1/4" o/d x 6" long	1	Tungam		
	18P3590	PIPE, 1/4" o/d x 8" long x 22G, GROUP	1	L56	MR	HL5/257

VULCAN Mk. 2

EQUIPMENT SPECIAL OPERATIONAL (S.O.O.)

Page HL. 19

LONG RANGE SADDLE TANKS IN BOMB BAY (REMOVABLE FITTINGS)

Ref. No.	Part No.	Description	No. off	Mati. Spec.	Cl. of St.	Plate and Illust'n No.
					M.R.	
		1 2 3 4				
		INSTALLATION OF PRESSURISATION PANEL, BOMB BAY TANK (1P3590) (Cont'd.)				
13922	31P3590	PIPE, 1/4" o/d x 20" long x 22G, GROUP	1	L56	C	HL5/258
13915	19P3590	PIPE, 1/4" o/d x 16" long x 22G, GROUP	1	L56	C	HL5/259
13921	30P3590	PIPE, 3/16" o/d x — x 22G, GROUP	1	L56	C	HL5/260
13918	27P3590	PIPE, 3/16" o/d x 10" long x 22G, GROUP	1	L56	C	HL5/261
13917	26P3590	PIPE, 3/16" o/d x 10" long x 22G, GROUP	1	L56	C	HL5/262
13913	13P3590	PIPE, 1/2" o/d x 15" long x 22G, GROUP	1	DTD253	C	HL5/263
13916	23P3590	PIPE, 3/16" o/d x 15" long x 22G, GROUP	1	L56	C	HL5/264
13909	25P3590	PIPE, 1/4" o/d x 4" long x 22G, GROUP	1	L56	C	HL5/265
13919	28P3590	PIPE, 3/16" o/d x 16" long x 22G, GROUP	1	L56	C	HL5/266
13920	29P3590	PIPE, 3/16" o/d x — x 22G, GROUP	1	L56	C	HL5/267
	83Z7684	Plug (Make from AGS948C)	1	—		HL5/268
28R/8011898	AGS948A	Plug, flanged	1	—	C	HL5/269
	TEDDINGTON CONTROLS FLC/A/7					
27V/5076		Restrictor, filter	1	—	C	HL5/270
28F/9429532	AGS1186/C	Seal, bonded	1	—	C	HL5/271
6830	1Z9010	TRAP, FUEL, GROUP	1	—	C	HL5/272
		Consisting of:—				
6831	KING A/C C3991/3—1/2E	Clamp, Mk. 1	1	—	C	HL5/273
	4Z9010	Container	1	DTD171		HL5/274
	3Z9010	Mounting, flanged	1	L65		HL5/275
	4Z9214	Seal (J. Walker Part No. 59732)	1	—		HL5/276
		(Make from 26DC6832)				
	5Z9010	Tube, inlet	1	—		HL5/277
	60SS3553	Union, reducing	2	—		HL5/278
28F/9428453	AGS1186/B	Washer, sealing	2	—	C	HL5/279

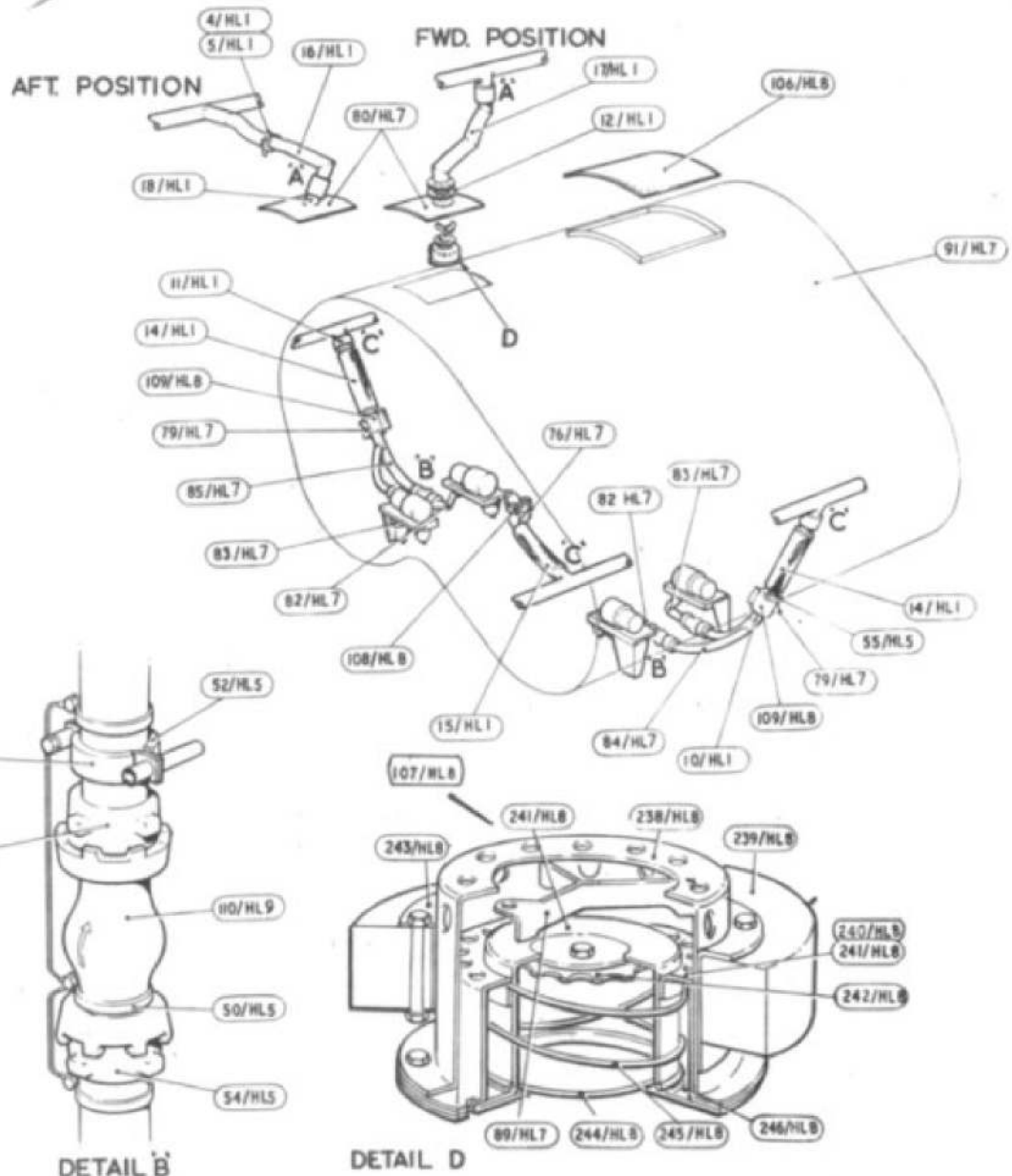
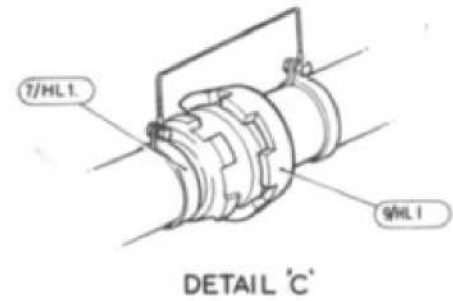
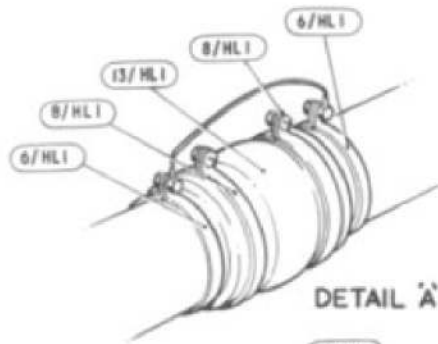
EQUIPMENT SPECIAL OPERATIONAL (S.O.O.)

LONG RANGE SADDLE TANKS IN BOMB (REMOVABLE FITTINGS)

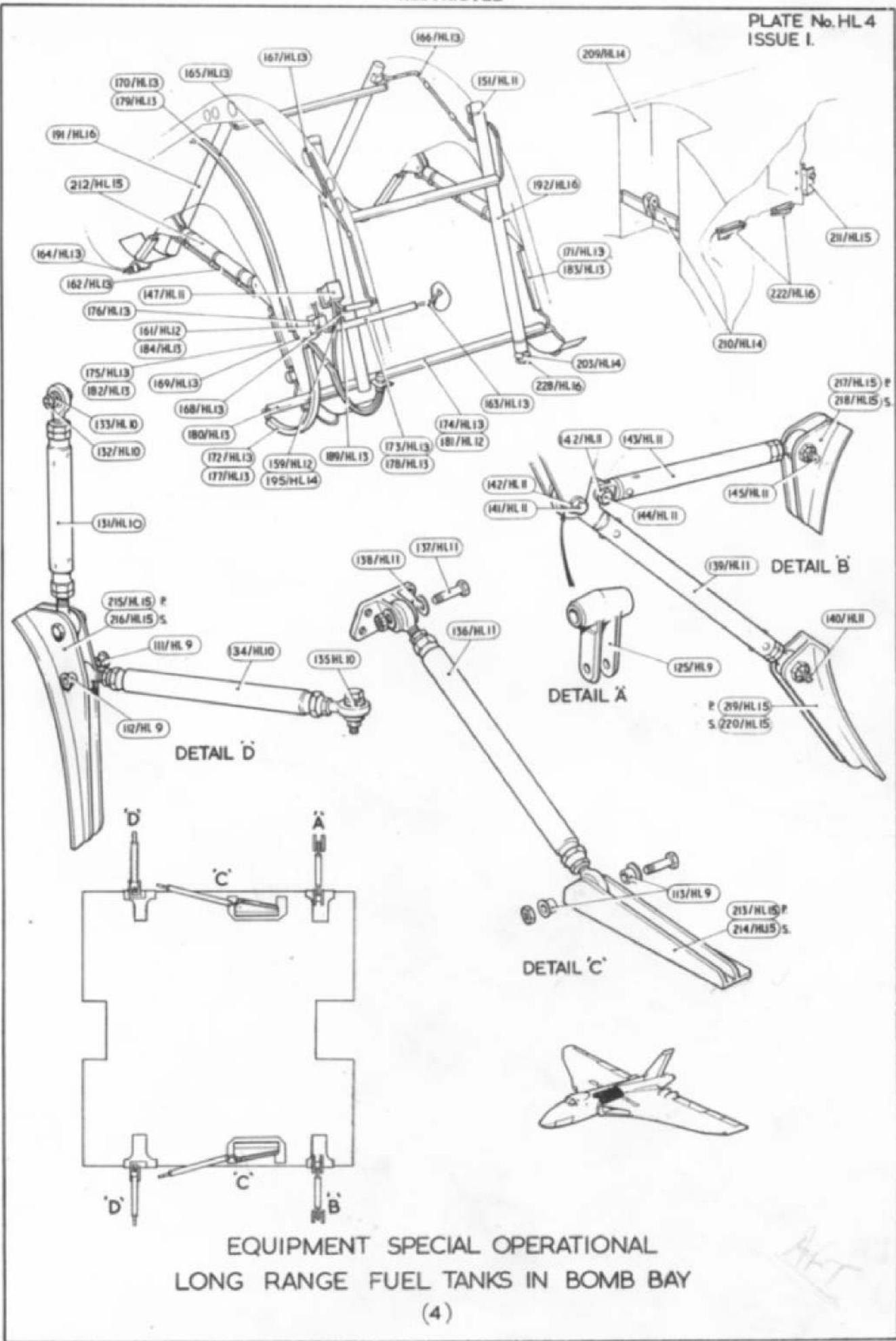
Ref. No.	Part No.	Description	No. off	Matl. Spec.	Cl. of St.	Plate and Illust'n No.
					M.R.	
		1 2 3 4				
		INSTALLATION OF PRESSURISATION PANEL, BOMB BAY TANK (1P3590) (Cont'd.)				
9163	66Z7684 TEDDINGTON CONTROLS LTD.	Union, reducing	1	DTD364B	C	HL5/280
27V/6574	FLD/A/14 TEDDINGTON CONTROLS LTD.	Valve, pressure reducing	1	—	C	HL5/281
27V/5073	FLA/A/4 TEDDINGTON CONTROLS LTD.	Valve, air	1	—	C	HL5/282
27V/1451024	ES/A/503 TEDDINGTON CONTROLS LTD.	Valve, air release	1	—	C	HL5/283
27V/1451025	FLE/A/5 SAUNDERS VALVE CO. LTD.	Valve, master control	1	—	C	HL5/284
	702/AA/11B SAUNDERS VALVE CO. LTD.	Valve, non, return	1	—		HL5/285
	702/A/A06	Valve, non, return (Alternative to 702/AA/11B)	1	—		
6D/2313	—	Valve, oxygen line, Mk. 10	1	—	C	HL5/286

EQUIPMENT SPECIAL OPERATIONAL
SUMMARY OF STANDARD ITEMS

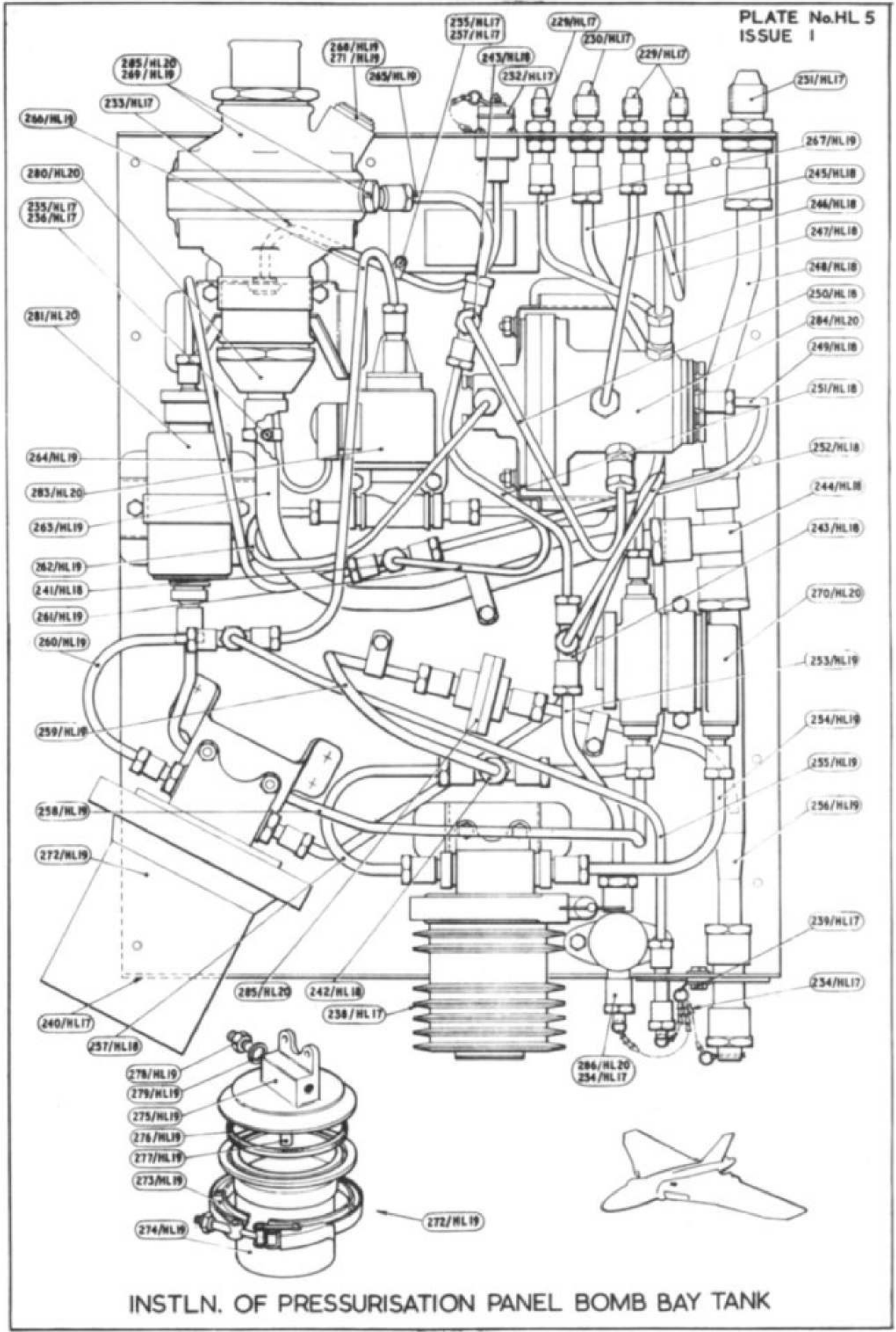
Stores Ref.		No. off	Stores Ref.		No. off	Stores Ref.		No. off
Section	Ref. No.		Section	Ref. No.		Section	Ref. No.	
28D	20153	2	28F	9428450	45	28S	1200044	4
28D	20184	2	28F	9428453	4	28S	9131730	21
28D	1007700	44	28F	9429636	207	28S	9419453	12
28D	1011024	2	28F	9433484	128	28S	9436892	21
28D	1011025	2						
28D	1011029	4						
28D	1011301	1	28M	10288	54	28W	1009659	43
28D	1011303	4	28M	10326	20	28W	9128914	64
28D	1011466	148	28M	10337	43	28W	9418921	1
28D	1011471	6	28M	10339	161	28W	9419402	4
28D	1017157	2	28M	13266	6	28W	9419405	16
28D	1212320	2	28M	13267	3	28W	9419446	22
28D	1212402	2	28M	13412	10	28W	9419466	4
28D	1213088	12	28M	1007404	4	28W	9419475	56
28D	1213386	10	28M	1010997	34			
28D	1213448	13	28M	1011001	9			
28D	1213449	4	28M	1011467	12			
28D	1213515	4	28M	1011476	29			
28D	1213609	4	28M	7002430	6			
28D	1215683	2						
28D	9133011	82						
28D	9133012	4	28N	9513425	2			
28D	9140652	9						
28D	9140653	4						
28D	9435055	2	28P	19129	1			
28D	9436770	113	28P	20343	6			
28D	9436796	4	28P	9527619	40			
28D	9436920	30						
28E	19826	8						



EQUIPMENT SPECIAL OPERATIONAL
INSTALLATION FORWARD TANK FORE. AND AFT. POSITIONS
(I)



EQUIPMENT SPECIAL OPERATIONAL
LONG RANGE FUEL TANKS IN BOMB BAY



INSTLN. OF PRESSURISATION PANEL BOMB BAY TANK

This file was downloaded
from the RTFM Library.

Link: www.scottbouch.com/rtfm

Please see site for usage terms,
and more aircraft documents.

